



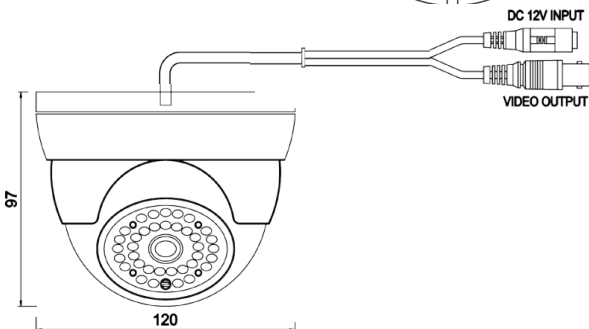
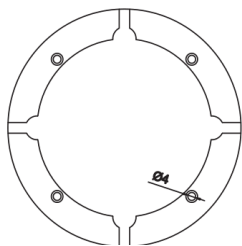
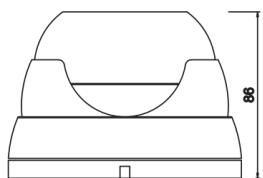
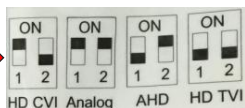
OYN-X | 4-IN-1 EYEBALL CAMERA

1080P FULL HD DIGITAL CAMERA • AHD • TVI • CVI • 960H

KEY FEATURES

- 1080P/2.4MP
- Day & night
- Sens-Up
- 3DNR Noise Reduction
- IP66 rating
- IR cut filter
- Wide dynamic range (WDR)
- Armoured housing

DIAGRAM Unit (mm)



SPECIFICATION	4X-EYE-VG36/VW36/VB36
CAMERA	
Image Sensor	1/2.7" 1080P Full HD digital image sensor
Signal System	PAL/NTSC
Active Pixels	1928(H) × 1088(V)
Lens	2.8 – 12mm 2.4MP Varifocal Lens
Angle of View	H:97°
Horizontal Resolution	1080P
S/N Ratio	>50 dB (AGC off)
Min Illumination	0 Lux (IR ON - IR-cut technology)
S/N Ratio	≥50db (AGC OFF)
Menu	UTC Control
Language	ENG/CHN/ITA/SPA
Auto Electronic Shutter	PAL:1/50 - 1/100,000 sec NTSC:1/60 - 1/100,000 sec
DNR	0-15
D-WDR	ON/OFF
Auto Gain Control	Built-in
Video Output	AHD / TVI / CVI / CVBS Factory default is AHD
Power Supply	DC12V±10%
Current Consumption	90 mA (IR OFF), 330 mA (IR ON)
IR Led	36 pcs
IR Distance in Effect	Up to 30M
IP Rating	IP66
Storage Temperature	-50°C ~+90°C
Operating Temperature	-30°C ~+70°C
Dimension	Φ120*86mm
Weight	800g

Do's and Don'ts

- Do not install the camera in extreme temperature conditions.
- Do not use the camera under conditions where temperatures are within -30 ~+70°C.
- Do not install the camera under unstable lighting conditions.
- Severe lighting change or flicker can cause the camera to work improperly.
- Do not install or use the camera in an environment where the humidity is high.
- It can result in poor-quality image.
- Do not disassemble the camera. There are no user-serviceable parts inside it.
- Opening or removing the camera's cover may expose you to dangerous voltage or other hazards. Refer all servicing to qualified personnel only.
- Do not submerge in water for long periods of time. Please do not expose to abrasive liquids as it may cause long term damage to the camera.
- Do not touch the imaging surface of sensor. Use a soft cloth with alcohol to surface if it is touched accidentally.
- Ensure the supply voltage is correct before operation!
- Do not focus the camera on the sun directly.

