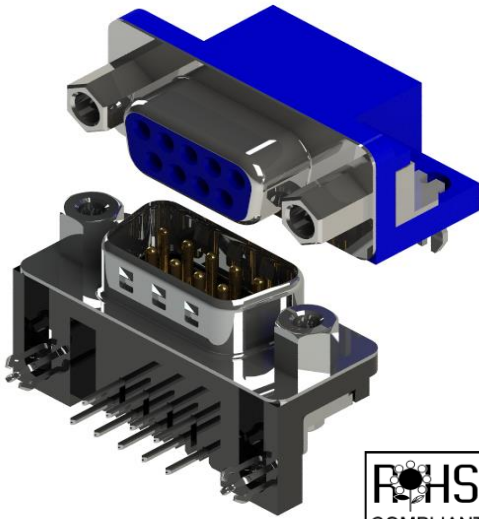




SERIES 621/622: D-SUB CONNECTOR

Plug and Receptacle, Right Angle, .318" (8.08mm) Footprint



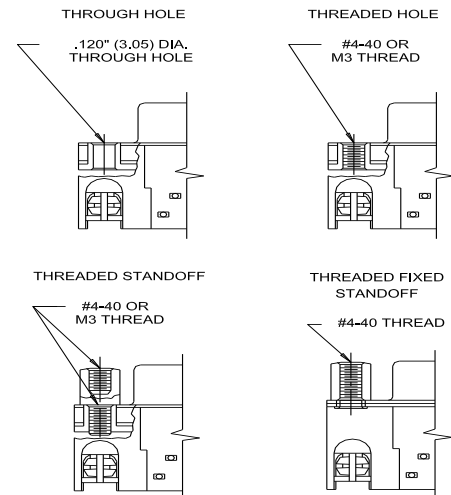
- Two Contact Rows with .318" (8.08mm) Footprint Right Angle Bend
- .109" (2.77mm) Contact Spacing X .112" (2.84mm) Row Spacing
- Plug and Receptacle in 9, 15, 25, or 37 Contact Sizes
- Pin and Socket Contact Mating Design with P.C. Tail Termination
- Metal Shell Provides EMI/RFI Shielding, Plug Shell Indents provide Grounding and Additional Mating Retention
- Board Mounting Features include Threaded Hole, Two and Four Prong Boardlock for Superior Retention to P.C. Board
- Flange Mounting Options for Panel Mount or Connector Mating include Through Hole, Threaded Hole and Threaded Standoffs
- D-Shaped Connector Mating Outline provides Polarization
- Design based on Requirements of MIL-C-24038, EIA RS-232 and RS-449



Specifications:

Insulator Material	Thermoplastic Polyester, UL 94V-0, Chemical Resistant, Color: Black
Contact Material	Plug (Pins): Copper Alloy Receptacle (Socket): Copper Alloy
Contact Plating	Selective Gold (See Ordering Code) over Nickel for the Mating Area, Tin Plating for Tail Area
Ferrite Specs:	20dB MIN @30 MHz, 30dB MIN @50 MHz, and 50dB MIN @100 MHz
Shell Material	Nickel Plated Steel
Current Rating	3A Per Contact
Contact Resistance	25 Milliohms MAX
Insulation Resistance	5000 Megaohms MIN
Dielectric Voltage	1000V AC rms at Sea Level
Operating Temp.	-55°C To +85°C
Mating Force	16 oz (4.45N) Maximum Per Contact Position
Unmating Force	1 oz (0.28N) Minimum Per Contact Position

FLANGE MOUNTING OPTIONS



Ordering Code:

621-025-260-013

SERIES: _____
 621: PLUG (PIN)
 622: RECEPTACLE (SOCKET)

NO. OF CONTACTS: _____
 009 - 9 CONTACTS 025 - 25 CONTACTS
 015 - 15 CONTACTS 037 - 37 CONTACTS

CONTACT FINISH CODE: _____
 2 - GOLD FLASH PLATING
 3 - 15 MICROINCHES OF GOLD PLATING
 6 - 30 MICROINCHES OF GOLD PLATING

CONTACT CODE: _____
 60 - .318" FOOTPRINT CONTACT
 68 - .318" FOOTPRINT WITH FERRITE FILTER

FLANGE MOUNTING OPTIONS:
 0 - #4-40 THREADED FIXED STANDOFF
 1 - Ø.120" (Ø3.05MM) THROUGH HOLE
 2 - #4-40 THREADED HOLE
 3 - #4-40 THREADED STANDOFF
 5 - M3 THREADED HOLE
 6 - M3 THREADED STANDOFF

BOARD MOUNTING FEATURE:
 1 - Ø.120" (Ø3.05MM) THROUGH HOLE
 3 - TWO PRONG BOARDLOCKS
 4 - FOUR PRONG BOARDLOCKS
 5 - #4-40 THREADED HOLE

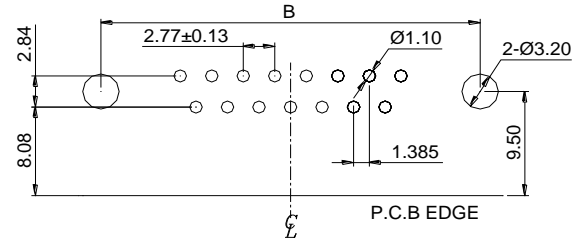
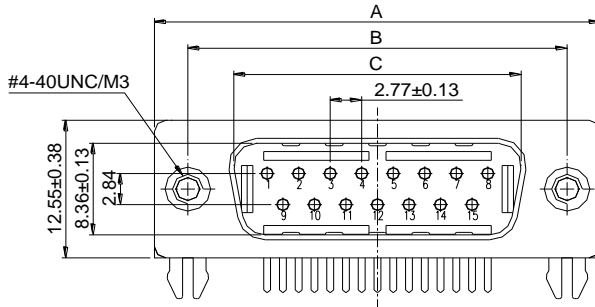
INSULATOR MATERIAL CODE:
 0 - STANDARD
 5 - HIGH TEMP INSULATOR



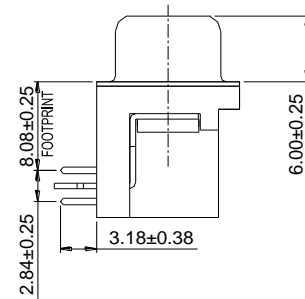
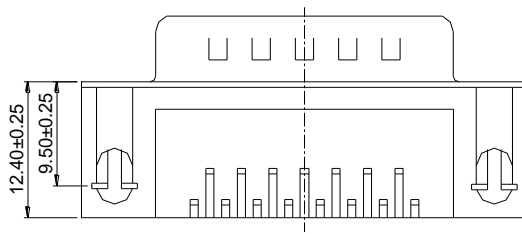
SERIES 621/622: D-SUB CONNECTOR

Plug and Receptacle, Right Angle, .318" (8.08mm) Footprint

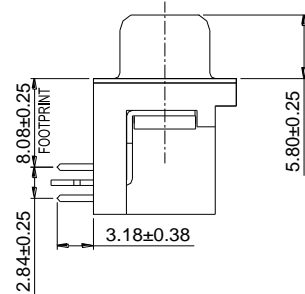
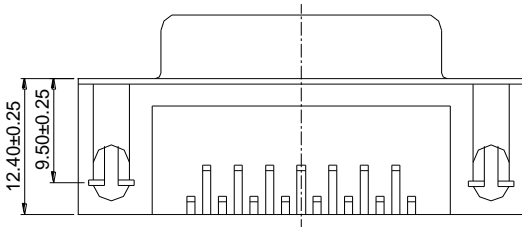
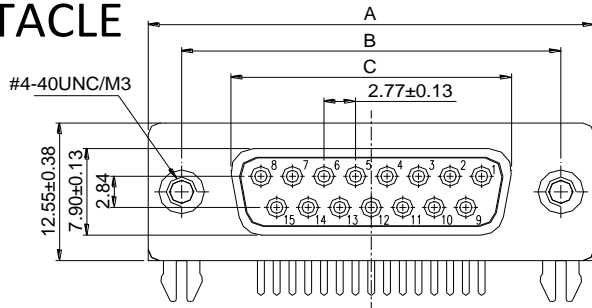
PLUG



RECOMMENDED P.C.B LAYOUT
(FOR PLUG AND RECEPTACLE)



RECEPTACLE



NUMBER OF CONTACTS	A±0.38mm		B±0.25mm		C±0.13mm PLUG		C±0.13mm RECEPTACLE	
	Inch	(mm)	Inch	(mm)	Inch	(mm)	Inch	(mm)
9	1.213	(30.81)	.984	(24.99)	.667	(16.92)	.643	(16.33)
15	1.543	(39.19)	1.312	(33.32)	.994	(25.25)	.971	(24.66)
25	2.088	(53.04)	1.852	(47.04)	1.534	(38.96)	1.511	(38.38)
37	2.729	(69.32)	2.500	(63.50)	2.182	(55.42)	2.159	(54.84)