

# Data sheet Actuator.

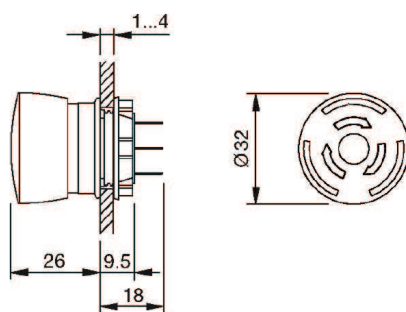
## Part No.: 84-5220.0020

### Technical data

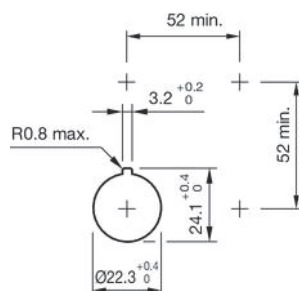


|   |                             |
|---|-----------------------------|
| Terminal                                  | Plug-in terminal            |
| Lens illumination                         | non illuminative            |
| Lens colour                               | Red                         |
| Lens shape                                | mushroom-head               |
| Lens material                             | Plastic                     |
| Lens optics                               | opaque                      |
| Housing colour                            | Yellow                      |
| Housing material                          | Plastic                     |
| Weight                                    | 0.028 kg                    |
| Contacts normally close                   | 1 NC                        |
| Contact material                          | Gold-plated silver          |
| Switching action                          | Maintained                  |
| Switching voltage                         | 250 V                       |
| Switching system                          | Slow-make switching element |
| Hints                                     |                             |
| ▪ Twist to unlock clockwise               |                             |
| ▪ Foolproof according to EN IEC 60947-5-5 |                             |
| ▪ Lens colour Red                         |                             |
| Product attributes                        |                             |
| ▪ Switching position ring black           |                             |

### Dimensions

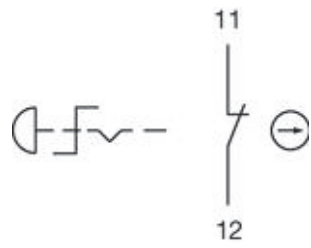


### Mounting cut-outs



## Wiring diagrams

---



## Component layouts

---

