

Dear Valued TRINAMIC Customer,

This notification is to inform you that a change will be done to the product listed below:

- **TMC261-PA**
- **TMC261-PA-T**
- **TMC261-PA-X**

For samples and further questions, please contact your sales partner.

## Hardware changes

Due to product maintenance and to assure longevity of the TMC261 we qualified a new wafer fab for TMC261 motor driver MOSFETs full-bridges. Hardware changes:

- Motor driver N-channel MOSFET (4pcs. in total)
- Motor driver P-channel MOSFET (4pcs. in total)
- Revision field of IC label will change to "A". (TMC261 to TMC261A)
- New motor driver MOSFETs will improve power losses due to lower Rdson

You can find the relevant MOSFETs (red marked) in the block diagram in figure 1. Due to the multi-chip structure of the TMC261 only motor driver MOSFET dies are affected to the changes. Complete digital and analog part of the core die as well as lead frame and IC structure stays unchanged.

## Compatibility

The new revision of the TMC261A is fully compatible. Notes on hardware compatibility:

- No change in mechanical dimensions. Test passed.
- No change in electrical behavior of digital and analog core die. Test passed.
- MOSFET electrical characteristic (e.g. slope, break before make, Rdson) Test passed.
- Improved behavior of motor driver stage due to lower Rdson. (Power dissipation lower or equal to initial revision)
- Assembly, production of core die and test facility stays unchanged.
- Digital and analog core die stays unchanged.
- Drop-in compatible.

This improvement is classified as a minor change.

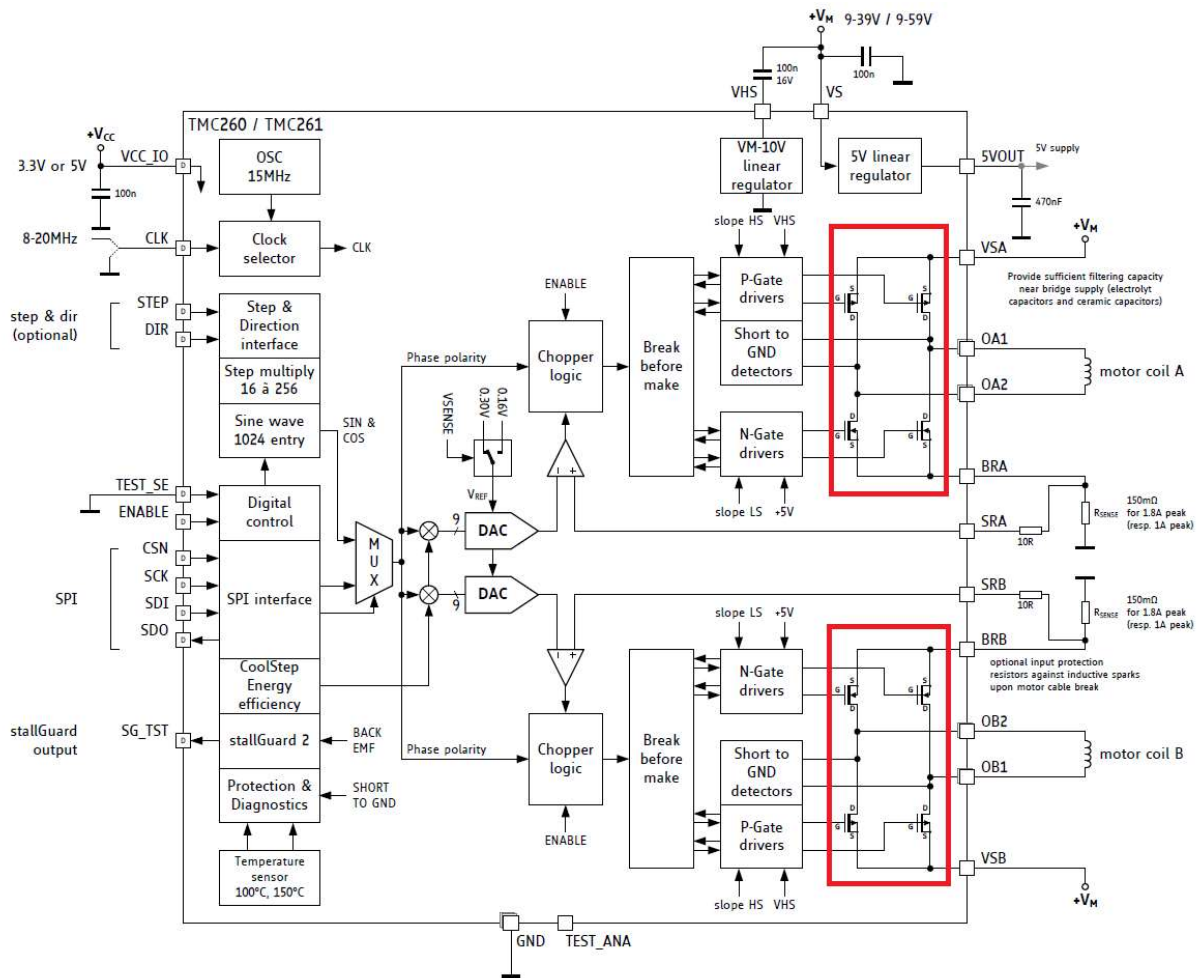


Figure 1: TMC261(A) block diagram



## Product Change Notification

TRINAMIC Motion Control GmbH & Co. KG  
Waterloohain 5, 22769 Hamburg, Germany

[www.trinamic.com](http://www.trinamic.com)

**PCN-2019-08-04**

**August 29, 2019**

### Products Affected

Article Name	Affected Article Numbers	NEW Name	NEW Article Numbers
TMC261-PA	00-0086	TMC261A-PA	00-0171
TMC261-PA-T	00-0086T	TMC261A-PA-T	00-0171T
TMC261-PA-X	00-0086X	TMC261A-PA-X	00-0171X

### Schedule

Samples of TMC261A-PA are available on request. Please contact your local sales partner.

Trinamic will include changes in new production lots.

Effective date for hardware release
-------------------------------------

Q1/2020
---------

Please note that Trinamic will automatically send new revision TMC261A-PA with end of TMC261-PA stock.

This PCN notice should be acknowledged within 30 days. Lack of acknowledgement of PCN within 30 days constitutes acceptance of change.