

SERIES 16 - MICROSWITCH

The Series 16 is a popular microswitch offering the unique self cleaning butterfly action. The centrally positioned actuating button offers the ability to mount easily into a pushbutton switch, something that ITW Switches has taken advantage of by incorporating the microswitch in our Series 76-94 and 76-91 Flexibutton ranges.

The series comes with gold or silver contacts and solder terminals as standard. PCB, solder/faston terminals, choice of contact forms and custom brackets and actuators are available as non-standard options. A two pole version is available in the form of the Series 26. Switches also have UL, CSA and MIL-Specification approvals according to the version.

APPLICATIONS:

- Process control limit switching
- Aerospace applications
- Telecommunications
- Military control systems
- Elevator systems
- Missile systems

KEY FEATURES:

- Form Z contacts – to cover all switching requirements
- Snap action – for positive switching
- Solder terminals – for superior electrical contact
- Choice of contacts – gold and silver
- Choice of actuators – to fit many applications

ACTUATION INFORMATION:

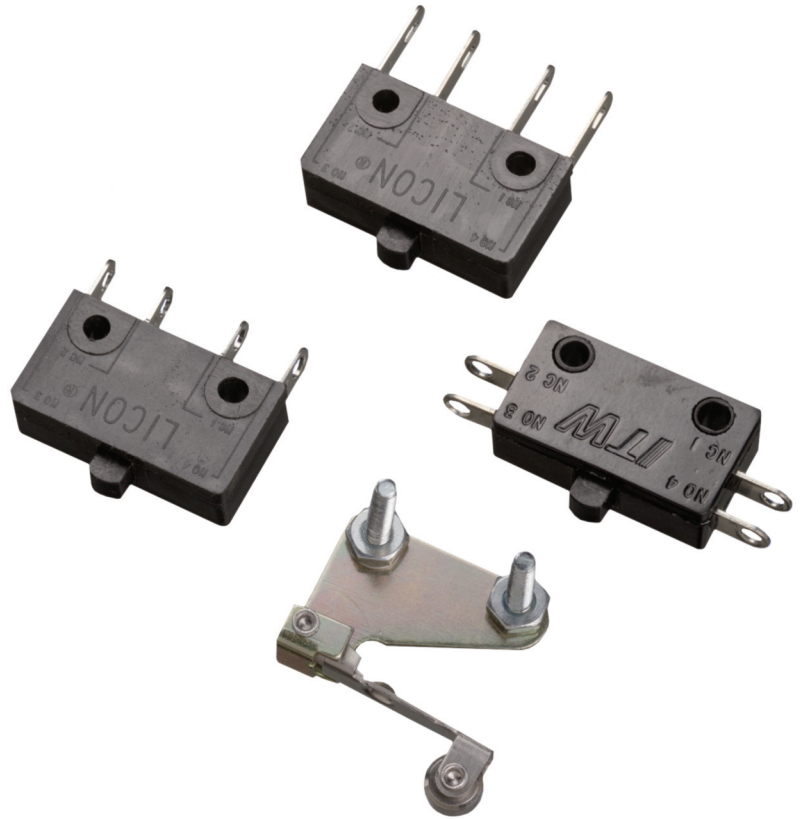
There are a number of additional actuators including leaf, roller levers and pushbuttons that fit. If you require any of these actuators, please contact the Sales Office.

2 POLE VERSION:

The 2 pole version is available in the form of the Series 26. This has the same self cleaning butterfly action as the Series 16, but has a higher operating force due to switching a number of poles.

Applications for these include requirements for auxiliary back up switches for additional safety and the need for a switch with a high operating force to safeguard against accidental actuation.

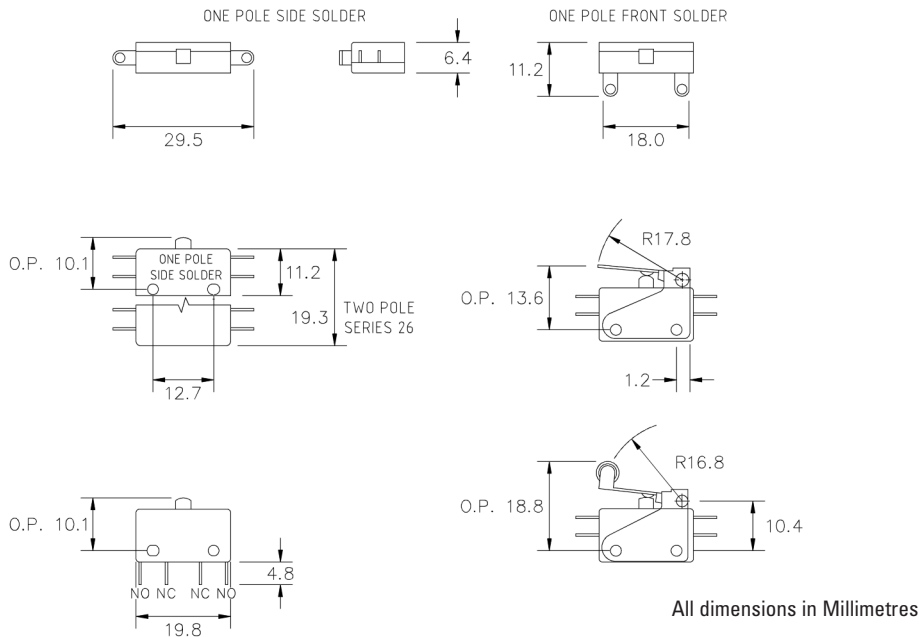
Similar to the Series 16, the 26 can be used as the switching mechanism in the 76-94 pushbutton range.



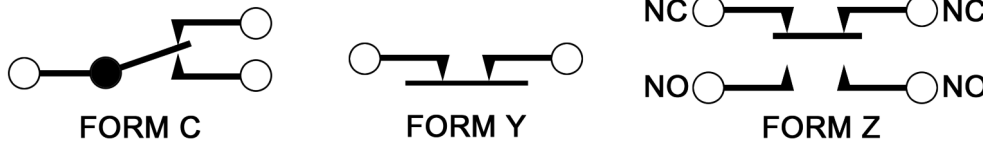
NON-STANDARD OPTIONS:

- PCB and solder/faston terminals
- Other contact forms X, Y & C
- Custom brackets and levers
- Special operating forces

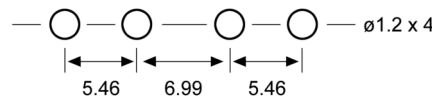
CONTACT LOADING



CIRCUIT FORM



PCB PIN LAYOUT (VIEWED FROM EITHER SIDE)



All dimensions in Millimetres

ORDERING INFORMATION:

- 16-4044** - 10A, silver contacts, solder terminals through the bottom of the case
- 16-40441** - 5A, gold contacts, solder terminals through the bottom of the case
- 16-488051** - 10A, gold contacts, MIL-SPEC approved, solder terminals through the bottom of the case
- 16-104** - 10A, silver contacts, solder terminals through the side of the case
- 16-304** - 10A, silver contacts, solder terminals through the front of the case

Actuators

- 76-1210/*** Standard leaf lever
- 76-1200/*** Standard roller lever

Substitute * for switch part number to be fitted, e.g. 76-1200 fitted to 16-4044 = 76-1200/4044.

These are standard parts for this series. If you should require a non-standard option please contact the Sales Office.

Designs and specifications are subject to change without notice due to product improvement.

MECHANICAL / ELECTRICAL / ENVIRONMENTAL CHARACTERISTICS:

- Pretravel:** 1.27mm
- Overtravel:** 0.15mm (min)
- Movement differential:** 0.5mm (nominal)
- Operating point:** 10.31mm ±0.40mm
- Life (min):** 10,000,000 cycles
- Operating force:** 2.2N

Current (max) silver contacts: 10A resistive 250 VAC

Current (min) silver contacts: 10mA resistive 5 VDC

Life (min): 100,000 cycles at 20°C
50,000 cycles at 70°C

Dielectric strength (min): 1 KVAC, 1minute

Insulation resistance (min): 1GΩ at 500 VDC

Contact resistance (max. initial): 25mΩ

Ingress protection: Equivalent to IP40

Shock (min): 50g

Temperature (ambient): -55°C to +135°C