

## USB2 A Screw Termination Keystone Socket



Suitable for field termination, repair and prototyping applications this 'DIY' socket enables an easy termination where a USB port is required. The 'breakout' board brings out all signal pins and the shield to screw-down terminal blocks for simple and reliable connection without the need for special tools.

### **Features**

- USB2.0 A female connector to 4 x screw terminals and choice of 2 x earth points
- Easy-to-read marking simplifies correct termination
- Screw terminals accommodate wires 0.4-1.3mm (16-26 AWG) diameter
- Snap in keystone jack provides a clean and neat, fast and easy installation in a wide range of housings, outlets and patch panels
- Available as part of our Panel Mount and D UNIVERSAL ranges

### **Specifications**

- Rated to 500mA at 5V
- Suitable for transmission at speeds up to 60MB/sec
- Weight: 6g approx.
- Dimensions: 16.9 x 21.8 x 28.4mm
- Colour: available in black or white

**NOTE: This item is intended for data transmission not for charging**

- **Material:**  
Housing: UL94V2 ABS  
USB socket: nickel-plated brass  
PCB: FR-4

**Packaging:** individually poly bagged then in 20's

**EAN:** KUA2bk: 5055386507778  
KUA2bkDpm: 5055386507808

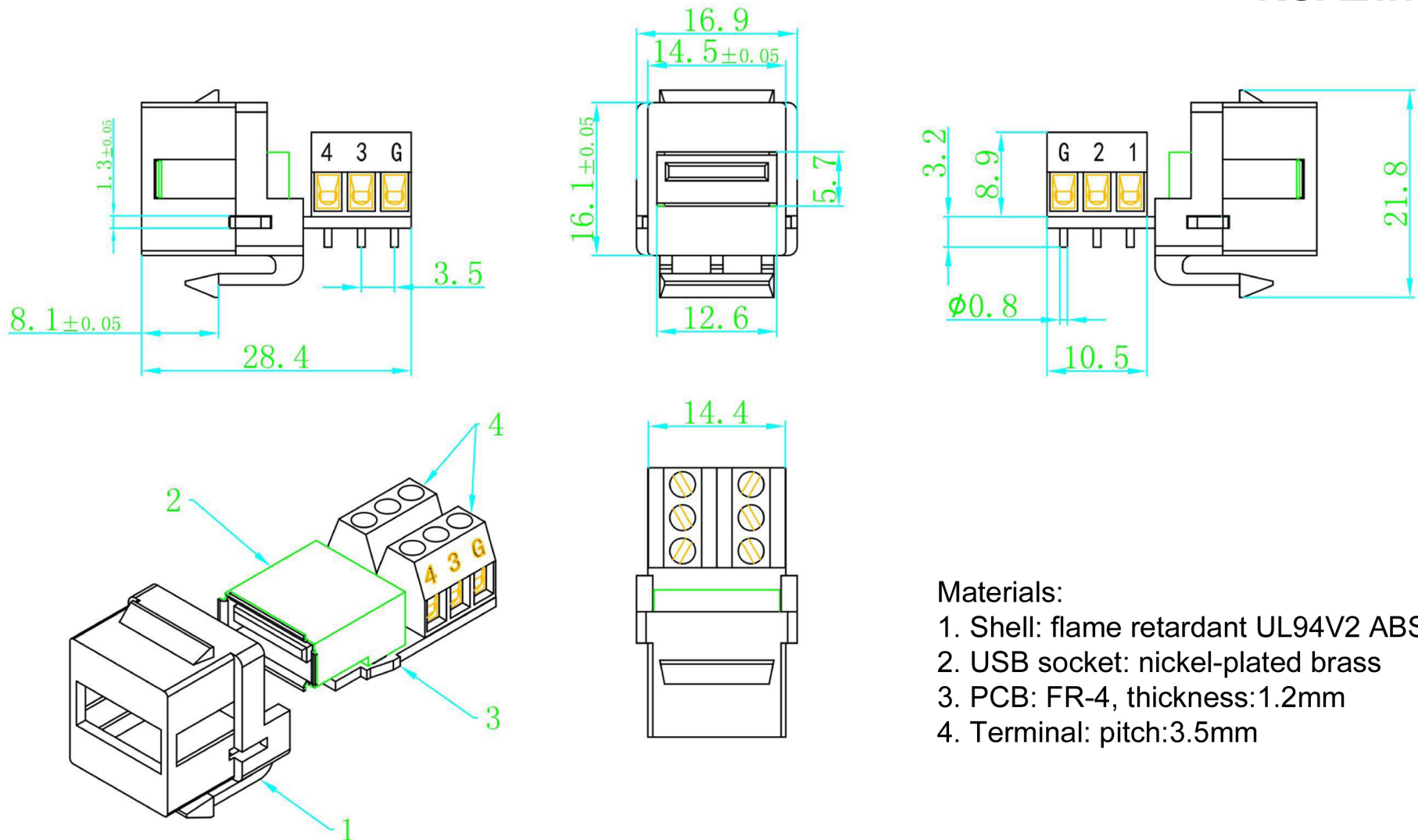
KUA2wh: 5055386507785  
KUA2whpm: 5055386507822

**Commodity code:** 85444290



ROHS Compliant

**Code: KUA2bk  
KUA2wh**



**Materials:**

1. Shell: flame retardant UL94V2 ABS
2. USB socket: nickel-plated brass
3. PCB: FR-4, thickness:1.2mm
4. Terminal: pitch:3.5mm