

14.6mm × 38.5mm Ceramic Cartridge Power Fuses - Through hole

multicomp PRO

**RoHS
Compliant**



Application

Designed for over-current protection in high voltage

Specification

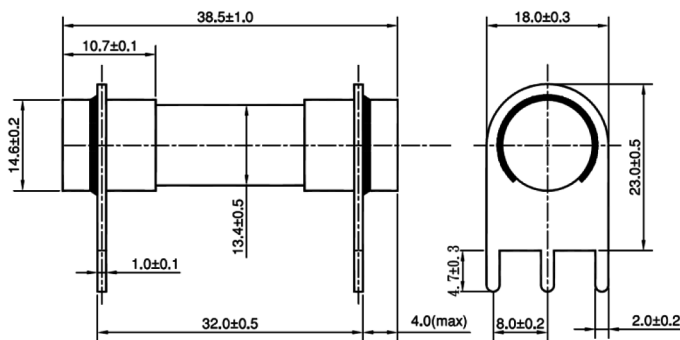
Current Rating : 63A
 Voltage Rating : 250V / 600V
 Interrupting Current rating : 1,500 amperes at 600V AC
 2,000 amperes at 250V AC
 500 amperes at 125V DC
 Fuse Body Material : Ceramic
 Termination Material : Tin Plated Copper
 Operating Temperature : -55°C to 125°C

Electrical Characteristics

Rating	100% Rating		200% Rating	
	Min.	Max.	Min.	Max.
63A	4hr	-	-	120 sec

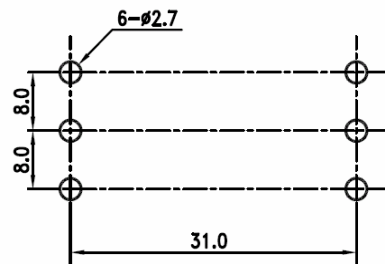
Part Number	Ampere Rating (A)	Voltage Rating (V)	Nominal Cold Resistance (Ohms)	Nominal Melting I ² t (A ² sec.)
MP001913	63A	250V / 600V	0.0013Ω	9892.95

Mechanical Dimensions



Dimensions : Millimetres

Recommend Circuit Board distance



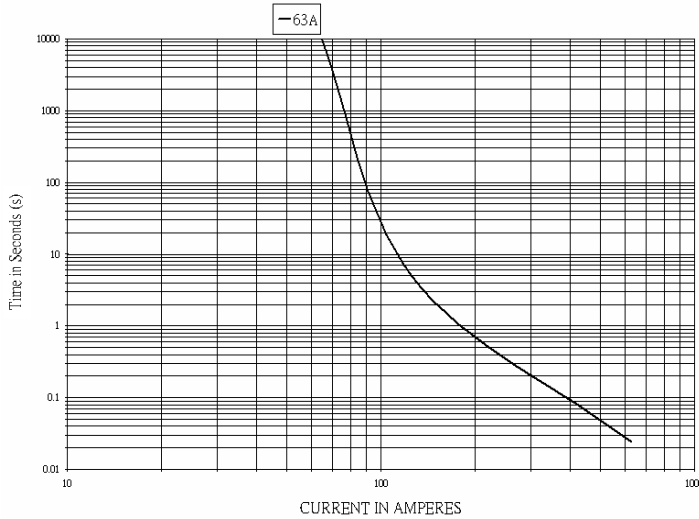
Newark.com/multicomp-pro
 Farnell.com/multicomp-pro
 Element14.com/multicomp-pro

multicomp PRO

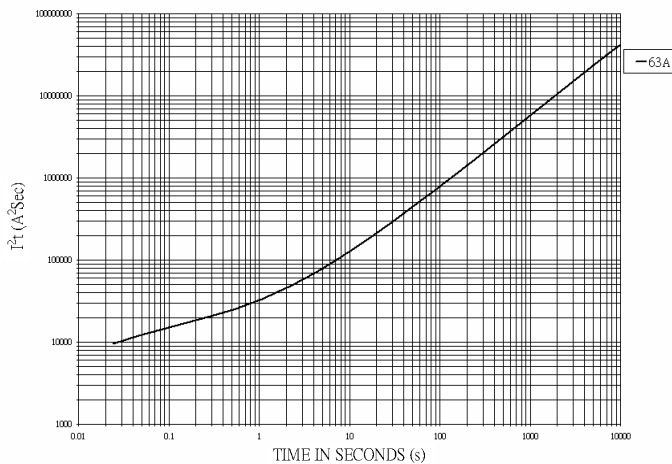
14.6mm × 38.5mm Ceramic Cartridge Power Fuses - Through hole



Clear Time Curve



Average Melting I²t Curves



Part Number Table

Description	Part Number
Ceramic Cartridge Power Fuse, Ø14.6mm × 38.5mm, 63A, 600V AC, Through hole	MP001913

Important Notice : This data sheet and its contents (the "Information") belong to the members of the AVNET group of companies (the "Group") or are licensed to it. No licence is granted for the use of it other than for information purposes in connection with the products to which it relates. No licence of any intellectual property rights is granted. The Information is subject to change without notice and replaces all data sheets previously supplied. The Information supplied is believed to be accurate but the Group assumes no responsibility for its accuracy or completeness, any error in or omission from it or for any use made of it. Users of this data sheet should check for themselves the Information and the suitability of the products for their purpose and not make any assumptions based on information included or omitted. Liability for loss or damage resulting from any reliance on the Information or use of it (including liability resulting from negligence or where the Group was aware of the possibility of such loss or damage arising) is excluded. This will not operate to limit or restrict the Group's liability for death or personal injury resulting from its negligence. Multicomp Pro is the registered trademark of Premier Farnell Limited 2019.

Newark.com/multicomp-pro
 Farnell.com/multicomp-pro
 Element14.com/multicomp-pro

