

	PARTS NAME	MATERIAL	UL FLAME GRADE
1	Sensing cup	Aluminum	
2	Actuating pin	Ceramic	
3	Bimetal disc	Bimetal	
4	Retainer	Phenolic or pps	94V-0
5	Stationary arm	Brass tin pltd	
6	Solder	Tin	
7	Glue	Epoxy	
8	Terminal	Brass or steel tin pltd	
9	Movable arm	Beryllium copper	
10	Terminal-A	Brass tin pltd	
11	Case	Phenolic or pps	94V-0
12	Contact-R	Silver alloy	
13	Contact-F	Silver alloy	
14	Bracket	Steel	

SPECIFICATIONS

- * NORMALLY CLOSE TYPE
- * OPEN : 70 ± 3 °C
- * CLOSE: 55 ± 4 °C
- * TERMINAL SIZE .250" QUICK CONNECT
- * AGENCY APPROVALS: UL CUL VDE SEMKO DEMKO FIMKO NEMKO
- * 15A 125VAC 10A 250VAC(Resistive)
- * LIFE 100K CYCLES



contact type
(N.C.)

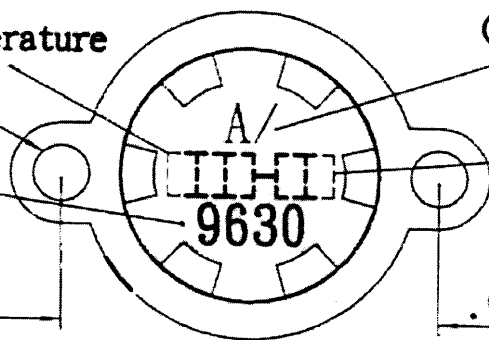
Differential

temperature

R.070

R1.8

Lot number



.937

INCH
MM

9 6 30

30TH
LOTS

8-AUG.

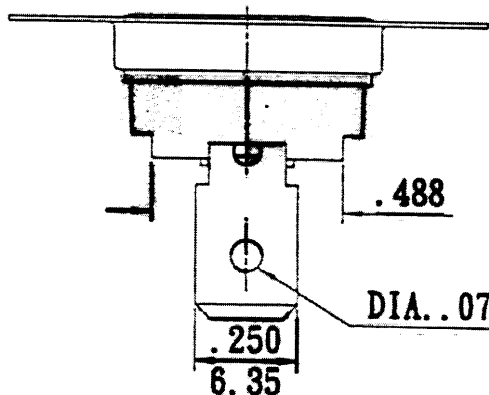
9-SEPT.

0-OCT.

N-NOV.

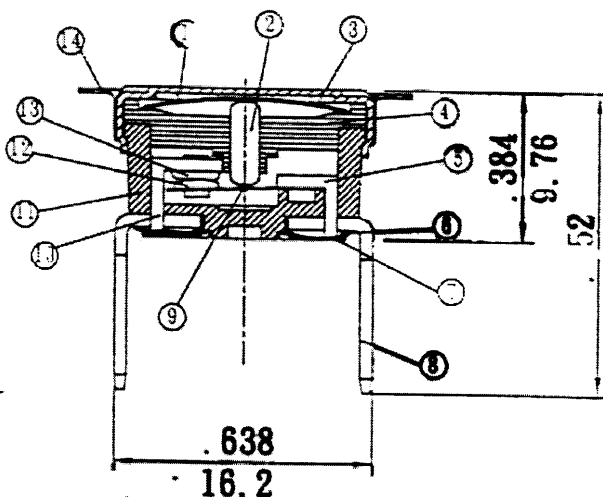
D-DEC.

1999



DIA. .079

.250
6.35



The size remains unchanged, but other technical modification will be made without notice.

SCALE 2:1 (mm)

④				TITLE	3A-SR2
③				MODEL	T23A070ASR2-15
②				MATERIAC NO.	
①				MATERIAC	
	DESCRIPTION	DFTG.	DATE	DRAWING NO.	150910
	<i>chi</i>	CHKD <i>Jcom</i>	MFG. <i>Sh Lee</i>	APPVL <i>Tom</i>	

THERMOSTATS

* * * * T23 SPECIFICATION(1) (S P S T) * * * *

Operation Temperature : One Fixed Point In The Range Of 50 °C To 205 °C

Temperature Tolerance : Operating Temperature ± 5 °C (± 3 °C Available

Or Appointed Temperature Tolerance By Customers.)

Reset Temperature ± 6 °C (± 4 °C Available Or

Appointed Temperature Tolerance By Customers)

Differential(Difference Between On Point And Off Point)

: Normal 10 °C — 30 °C

Heat Resistivity : 240 °C

* * * * * ELECTRICAL * * * * *

Electrical Rating 15A 125V AC (Resistive Load)

10A 250V AC (Resistive Load)

15A 250V AC (Resistive Load)

Contact Resistance 50m Ω Or Less

Dielectric Strength AC 1000V For One Minutes Or More Between
Non-Live Metal Parts And Terminals

Insulation Resistance : 100M Ω Or More Between The Non-Live Metal
Parts And Terminals.

Operating Life 100K Cycles (Class II VDE)

10K Cycles (15A 250V AC estimated life)