

P5

Panel Mounted

Keyswitches

P5

Panel cut-out (mm)	Ø 20.6
Characteristics	<ul style="list-style-type: none">■ high electrical rating■ key trapping option■ choice of off-on, change-over with spring return or change-over with separate circuits
Rating	up to 125 VAC, 10 A up to 250 VAC, 5 A
Dimensions (mm)	Ø 38.1 × 45.7 off-on Ø 38.1 × 58.4 change-over
Actuator	■ key (common or different)
Approvals	UL and CSA



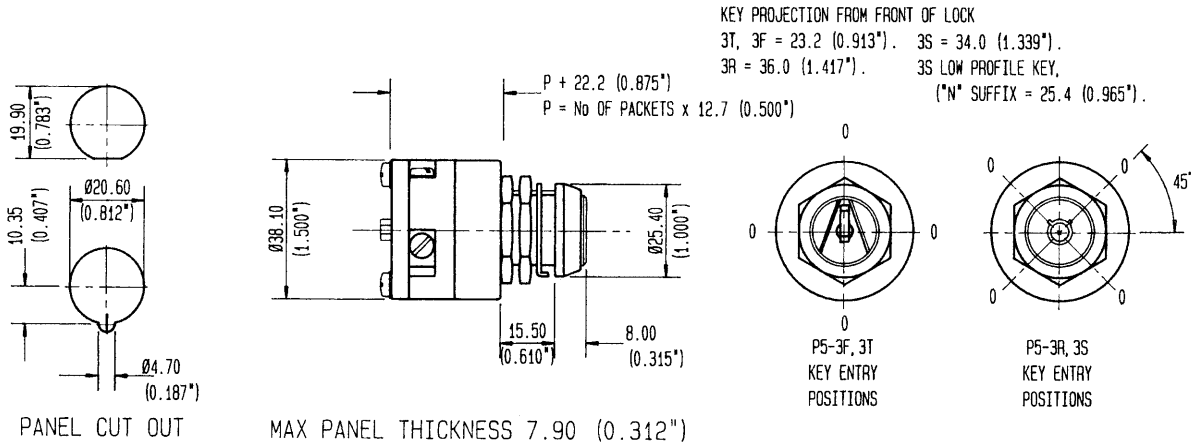
Preferred Range

Ordering Reference	Terminal	Circuit	Actuator	Contacts	Electrical rating
P53FBA201	Screws	2 pole off-on	Key	Ag	Up to 125 VAC, 10 A Up to 250 VAC, 5 A

Specifications

Key	Nickel silver
Body	Phenolic
Springs	Stainless steel
Contacts	Silver
Terminals	4BA screw - silver-plated brass
Temperature range °C	-20°C to +85°C
Mechanical life	25,000 operations (minimum)
Mounting	Locknut and washer
Actuator	Key
Switching function	Off-on, change-over (spring return), change-over (separate circuits)
Key indexing	90°

Dimensions



Recommended maximum electrical ratings

Voltage (max)	Resistive load (A)	Inductive load	Horsepower	Approval
125 VAC	10 (0.75 pf)	-	-	UL 1054/CSA 22.2 No. 55 - 6,000 operations
250 VAC	5 (0.75 pf)	-	-	UL 1054/CSA 22.2 No. 55 - 6,000 operations
24 VDC	15	-	-	UL 1054/CSA 22.2 No. 55 - 6,000 operations

Operating Characteristics

Switching function	Reference	Actuator Type	Code	Key trapping	Diagram
2 pole off-on	P53FBA201	Key	001	No	
2 pole change-over, spring return	P53FBA206 P53FMA206	Key Key	001 Production run	No No	
2 pole change-over, separate circuits	P53FBA209 P53FMA209	Key Key	001 Production run	No No	
2 pole change-over, separate circuits	P53FBB209 P53FMB209	Key Key	001 Production run	Yes Yes	

Type coding key for standard products

			Example: P5	3F	B	A	2	01
Basic type	P5							
Actuators	3F	Key - general duty						
Keycode	B	001 key						
	M	Production run key coding						
Key trapping	A	Key removable in all positions						
	B	Key trapped vertically, up						
Number of poles	2	2 poles						
Switching function	01	Off-on						
	06	Change-over with spring return						
	09	Change-over with separate circuits						