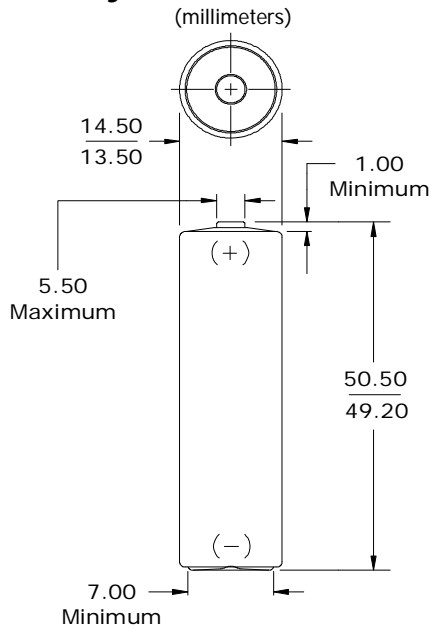


Eveready Super Heavy Duty (R6)



Industry Standard Dimensions

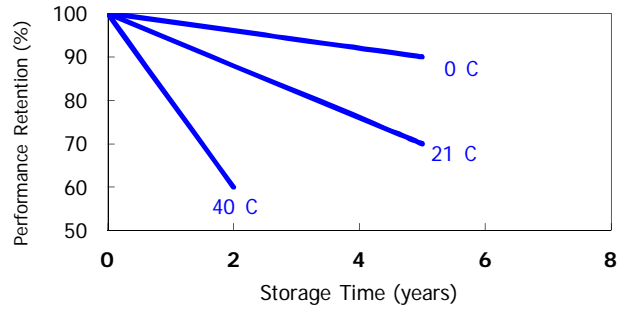


Specifications

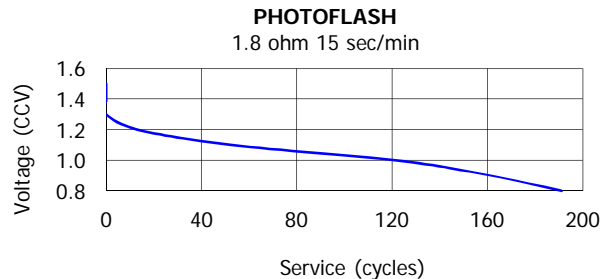
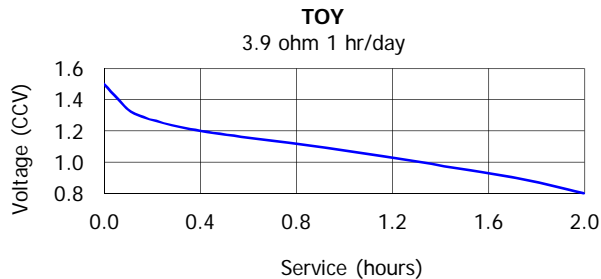
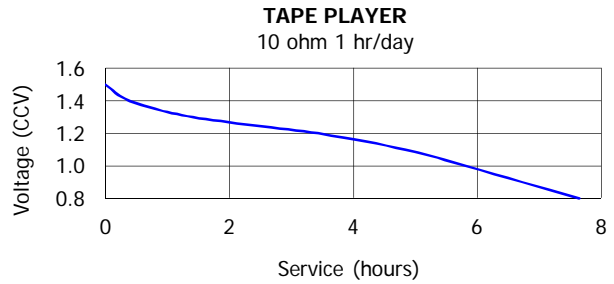
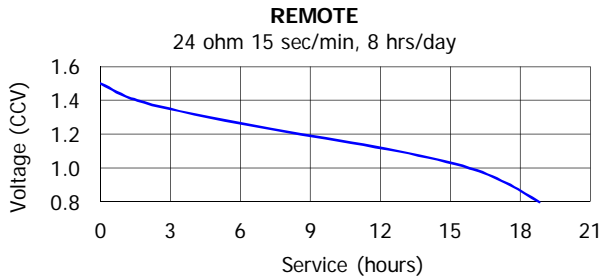
<b>Classification:</b>	"Carbon Zinc" (Zinc Chloride)
<b>Chemical System:</b>	Zinc-Manganese Dioxide (Zn/MnO <sub>2</sub> ) No Added Mercury or Cadmium
<b>Designation:</b>	IEC-R6
<b>Nominal Voltage:</b>	1.5 volts
<b>Operating Temp:</b>	-18°C to 55°C
<b>Typical Weight:</b>	15 grams
<b>Typical Volume:</b>	8.0 cubic centimeters
<b>Jacket:</b>	Metal

Storage/Capacity Characteristics

Effects of Storage at Various Temperatures



Industry Standard Tests (21°C)



**Important Notice**

This datasheet contains information specific to battery chargers manufactured at the time of its publication.  
© Energizer Holdings, Inc. - Contents herein do not constitute a warranty.