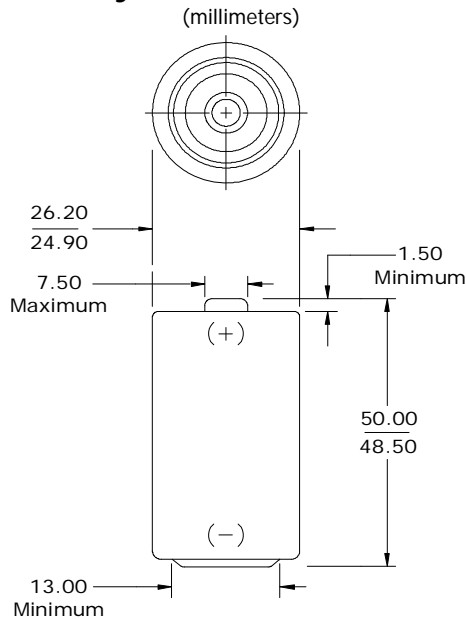


Eveready Super Heavy Duty (R14)



Industry Standard Dimensions

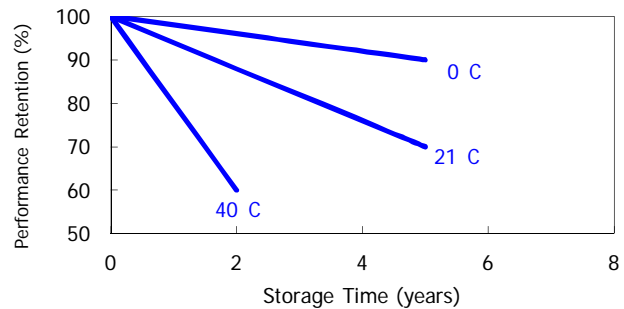


Specifications

Classification:	"Carbon Zinc" (Zinc Chloride)
Chemical System:	Zinc-Manganese Dioxide (Zn/MnO ₂) No Added Mercury or Cadmium
Designation:	IEC-R14
Nominal Voltage:	1.5 volts
Operating Temp:	-18°C to 55°C
Typical Weight:	45 grams
Typical Volume:	25 cubic centimeters
Jacket:	Metal

Storage/Capacity Characteristics

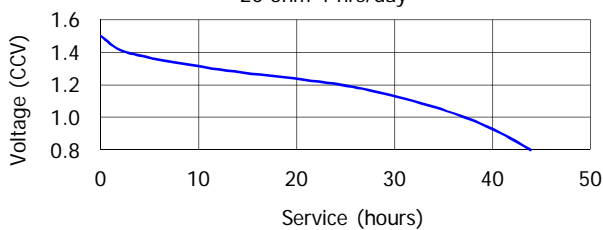
Effects of Storage at Various Temperatures



Industry Standard Tests (21°C)

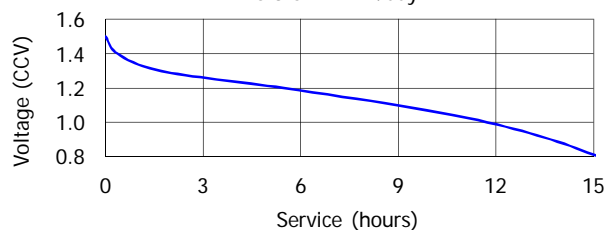
RADIO

20 ohm 4 hrs/day



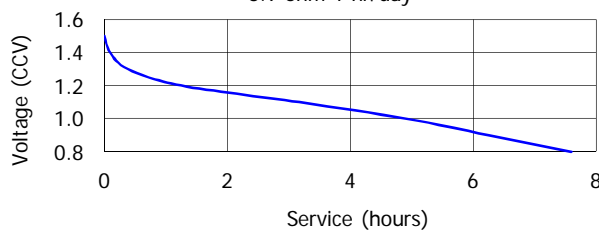
TAPE PLAYER

6.8 ohm 1 hr/day



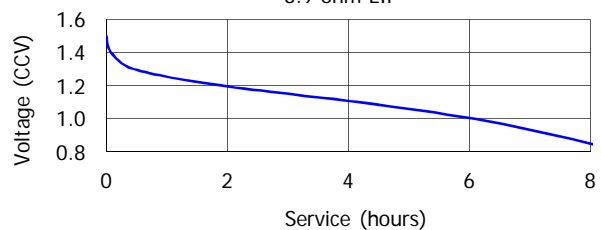
TOY

3.9 ohm 1 hr/day



LIGHTING

3.9 ohm LIF



Important Notice

This datasheet contains information specific to battery chargers manufactured at the time of its publication.
© Energizer Holdings, Inc. - Contents herein do not constitute a warranty.