



## Main

|                                    |                   |
|------------------------------------|-------------------|
| Range                              | TeSys             |
| Product or component type          | Mounting bracket  |
| Device short name                  | GVAP              |
| Accessory / separate part category | Control accessory |

## Complementary

|                       |  |
|-----------------------|--|
| Product compatibility | GV2APN01<br>GV2APN02<br>GV2APN03<br>GV2APN04 |
| Height                | 174 mm                                       |
| Width                 | 65 mm  |
| Depth                 | 151 mm                                       |
| Net weight            | 0.3 kg                                       |

## Offer Sustainability

|                            |   |
|----------------------------|---|
| Sustainable offer status   | Green Premium product   |
| REACH Regulation           | <a href="#">REACH Declaration</a>   |
| EU RoHS Directive          | Compliant<br><a href="#">EU RoHS Declaration</a>  |
| Mercury free               | Yes   |
| RoHS exemption information | <a href="#">Yes</a>   |
| China RoHS Regulation      | <a href="#">China RoHS declaration</a><br>Product out of China RoHS scope. Substance declaration for your information       |
| Environmental Disclosure   | <a href="#">Product Environmental Profile</a>   |
| WEEE                       | The product must be disposed on European Union markets following specific waste collection and never end up in rubbish bins |

Disclaimer: This documentation is not intended as a substitute for and is not to be used for determining suitability or reliability of these products for specific user applications

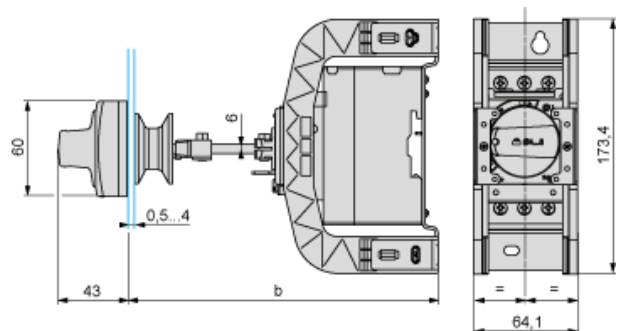
Contractual warranty

---

|          |           |
|----------|-----------|
| Warranty | 18 months |
|----------|-----------|

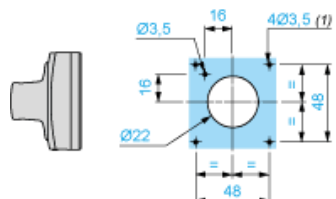
---

Mounting of External Operator GVAPH02 for Motor Circuit Breakers GV2L



|                                 | b       |         |
|---------------------------------|---------|---------|
|                                 | Minimum | Maximum |
| GV2 APN.. + GV APH02            | 151     | 250     |
| GV2 APN.. + GV APH02 + GV APK11 | 250     | 445     |

Door cut-out



(1) For IP65 only.