

Insulation Housings

250 Series

Model Allocation Number

CS-63 N 0 02

Series Code

28 110 Series
48 187 Series
50 197 Series
63 250 Series
ISO .. ISO Series
LK Lok Series
SEK .. Self Locking Series
TP Low Insertion Series

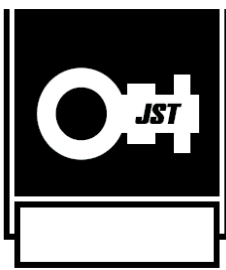
Material Code

N Polyamide
F Polyethylene
S Polycarbonate V0
B Polycarbonate V2
PBT .. Polybutylene Terephthalate

Sub Series

Colour Code

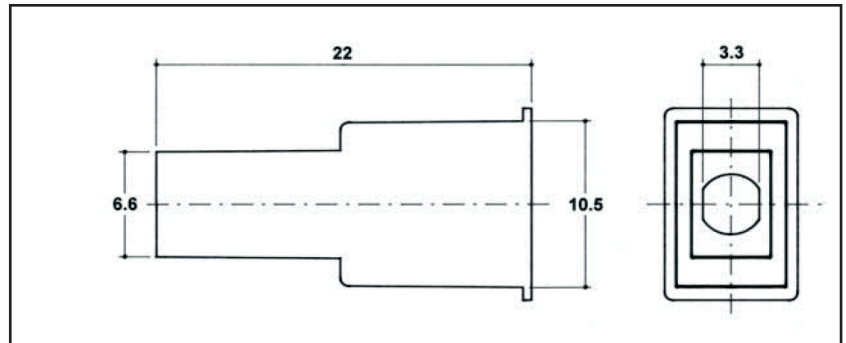
0 Natural
1 White
2 Yellow
3 Red
4 Green
5 Black
6 Blue
VI Violet
MR ... Brown



250 SERIES

Insulation housings for terminals

03 Type (Straight) Housing <Made in Europe>

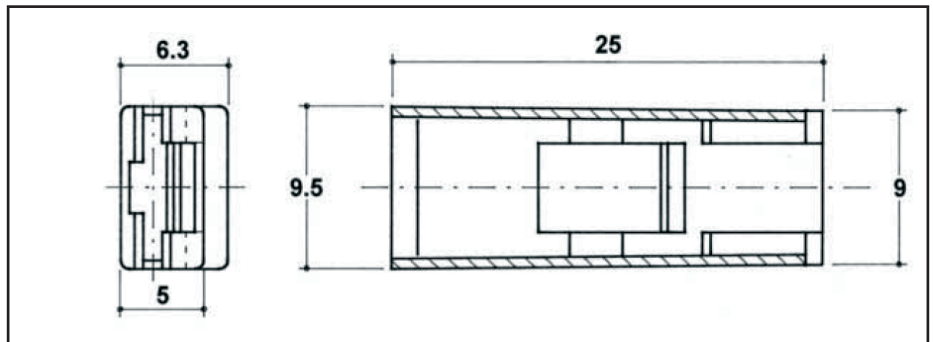


File No. E172855

Part No	Standard	Description	Material	Max Operating Temp °C	Applicable JST Terminal	Applicable Mating Housing
CS-63F003		Single Circuit Housing	PE (UL94-HB)	50	SOM-(*)-(*)-250(*)-(*)-(*)-(*)	CS-63F004
01016 (CS-63N003)			Nylon 66 (UL94-V2)	130		01022-250 (CS-63N004), CS-63N004.02, CS-63N004F
CS-63N003V0			Nylon 68 (UL94-V0)	140		CS-63N004V0, CS-63N004.02V0, CS-63N004FV0

- Note:
- 1) Colour coding: 0=Natural, 3=Red, 4=Green, 5=Black, 6=Blue. Example CS-63N503 = Black Housing.
 - 2) Example applicable JST Terminal; SOM-51T-250
 - 3) Parts are available in different materials: Contact JST.
 - 4) For availability, delivery and minimum order quantity details, contact JST.

04 Type (Straight) Housing <Made in Europe>



File No. E172855

Part No	Standard	Description	Material	Max Operating Temp °C	Applicable JST Terminal	Applicable Mating Housing
01022-250 (CS-63N004)		Single Circuit Housing	Nylon 66 (UL94-V2)	130	STO-(*)-(*)-250(*)-(*)-(*)-(*)	01016 (CS-63N003)
CS-63N004V0			Nylon 68 (UL94-V0)	140		CS-63N003V0

- Note:
- 1) Colour coding: 0=Natural, 1=White, 2=Yellow, 3=Red, 4=Green, 5=Black, 6=Blue. Example CS-63N504 = Black Housing.
 - 2) Example applicable JST Terminal; STO-1.0T-250N
 - 3) Parts are available in different materials: Contact JST.
 - 4) For availability, delivery and minimum order quantity details, contact JST.