

5-1634503-1 ✓ ACTIVE

AMP-METRIMATE

TE Internal #: 5-1634503-1

TE Internal Description: BNC Str PCB Skt 50Ohm Nickel Pltd

[View on TE.com >](#)



Connectors > RF & Coax Connectors > RF Connectors



RF Interface: **BNC**

RF Connector Style: **Jack**

RF Connector Mated Outer Diameter (Approximate): **14.529 mm [.572 in]**

Impedance: **50 Ω**

RF Connector Coupling Mechanism: **Bayonet**

Features

Product Type Features

| | |
|-----------------------------------|-----------------------|
| RF Interface | BNC |
| RF Connector Style | Jack |
| Connector System | Cable-to-Board |
| Sealable | No |
| Connector & Contact Terminates To | Printed Circuit Board |

Configuration Features

| | |
|----------------------------|----------|
| Number of Positions | 1 |
| PCB Mount Orientation | Vertical |
| Number of Coaxial Contacts | 1 |

Electrical Characteristics

| | |
|-----------|------|
| Impedance | 50 Ω |
|-----------|------|

Body Features

| | |
|-----------------|----------|
| Body Insulation | Without |
| Body Shape | Circular |
| Body Material | Zinc |

| | |
|----------------------|--------|
| Body Material Finish | Plated |
|----------------------|--------|

| | |
|-----------------------|--------|
| Body Plating Material | Nickel |
|-----------------------|--------|

Contact Features

| | |
|--|------|
| RF Connector Center Contact Plating Material | Gold |
|--|------|

| | |
|--------------------------------------|-----------------|
| RF Connector Center Contact Material | Phosphor Bronze |
|--------------------------------------|-----------------|

Termination Features

| | |
|---|-----------------------|
| Termination Method to Printed Circuit Board | Through Hole - Solder |
|---|-----------------------|

| | |
|--------------------------------|-----------------|
| Termination Post & Tail Length | 4.5 mm[.177 in] |
|--------------------------------|-----------------|

Mechanical Attachment

| | |
|---------------------|------|
| PCB Mount Retention | With |
|---------------------|------|

| | |
|--------------------------|----------------|
| PCB Mount Retention Type | Hold-Down Post |
|--------------------------|----------------|

| | |
|---------------------------------|---------|
| RF Connector Coupling Mechanism | Bayonet |
|---------------------------------|---------|

| | |
|-------------------------|-------------|
| Connector Mounting Type | Board Mount |
|-------------------------|-------------|

| | |
|--------|------|
| Detent | With |
|--------|------|

Dimensions

| | |
|----------------------|-----------------|
| Mounting Post Length | 4.5 mm[.177 in] |
|----------------------|-----------------|

| | |
|-----------------------------|-----------------|
| PCB Thickness (Recommended) | 3.2 mm[.126 in] |
|-----------------------------|-----------------|

| | |
|---|--------------------|
| RF Connector Mated Outer Diameter (Approximate) | 14.529 mm[.572 in] |
|---|--------------------|

| | |
|-----------------------|------------------|
| Height Above PC Board | 13.7 mm[.539 in] |
|-----------------------|------------------|

Usage Conditions

| | |
|-----------------------------|---------------------------|
| Operating Temperature Range | -55 – 85 °C[-67 – 185 °F] |
|-----------------------------|---------------------------|

Operation/Application

| | |
|---------------------|-------|
| Operating Frequency | 4 GHz |
|---------------------|-------|

Packaging Features

| | |
|------------------|-----|
| Packaging Method | Box |
|------------------|-----|

Other

| | |
|-------|------------|
| Grade | Commercial |
|-------|------------|

| | |
|---------|--------------|
| Comment | Low Profile. |
|---------|--------------|

| | |
|---------------------|-------------------|
| Dielectric Material | Polymethylpentene |
|---------------------|-------------------|

Product Compliance

[For compliance documentation, visit the product page on TE.com>](#)

| | |
|---|---|
| EU RoHS Directive 2011/65/EU | Compliant |
| EU ELV Directive 2000/53/EC | Compliant |
| China RoHS 2 Directive MIIT Order No 32, 2016 | No Restricted Materials Above Threshold |
| EU REACH Regulation (EC) No. 1907/2006 | Current ECHA Candidate List: JAN 2020 (205) Candidate List Declared Against: JUL 2019 (201) Does not contain REACH SVHC |
| EU REACH Regulation (EC) No. 1907/2006 | Current ECHA Candidate List: JAN 2020 (205) Candidate List Declared Against: JUL 2019 (201) |
| Halogen Content | Low Halogen - Br, Cl, F, I < 900 ppm per homogenous material. Also BFR/CFR/PVC Free |
| Solder Process Capability | Wave solder capable to 265°C |

Product Compliance Disclaimer

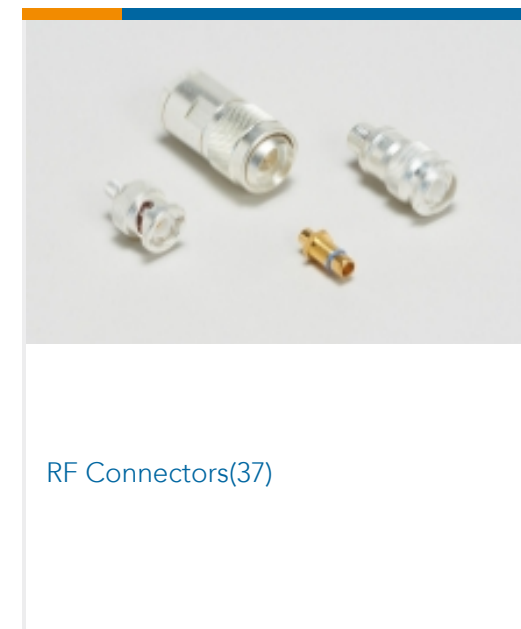
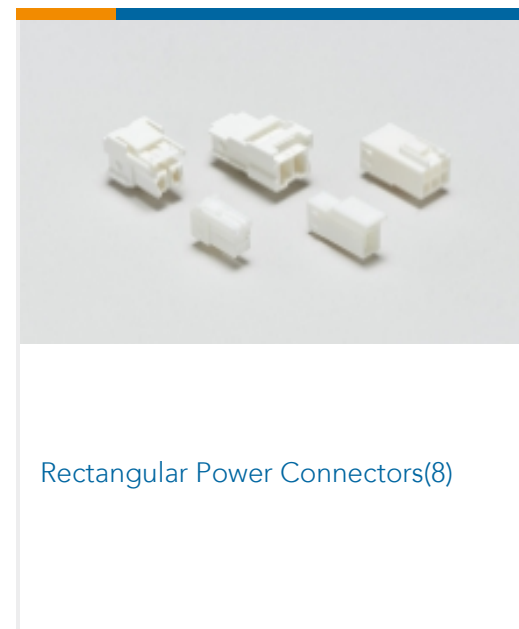
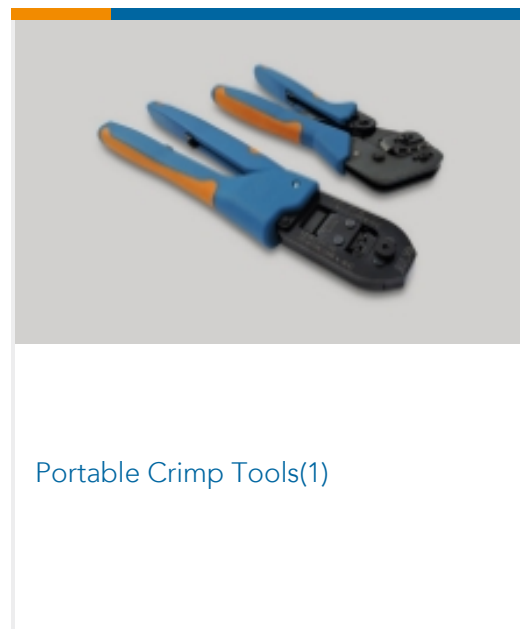
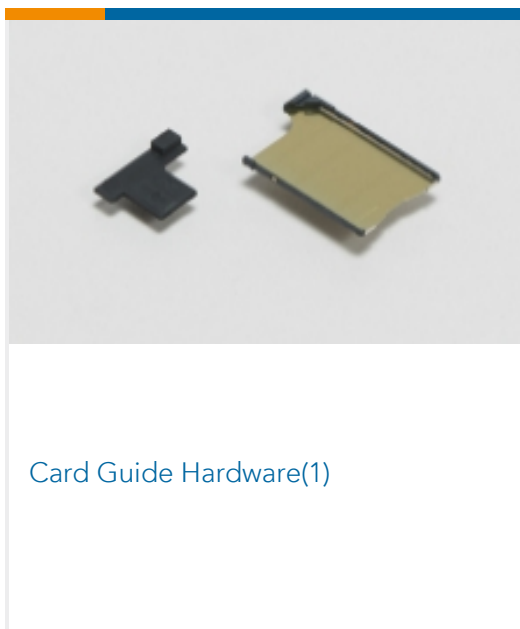
This information is provided based on reasonable inquiry of our suppliers and represents our current actual knowledge based on the information they provided. This information is subject to change. The part numbers that TE has identified as EU RoHS compliant have a maximum concentration of 0.1% by weight in homogenous materials for lead, hexavalent chromium, mercury, PBB, PBDE, DBP, BBP, DEHP, DIBP, and 0.01% for cadmium, or qualify for an exemption to these limits as defined in the Annexes of Directive 2011/65/EU (RoHS2). Finished electrical and electronic equipment products will be CE marked as required by Directive 2011/65/EU. Components may not be CE marked. Additionally, the part numbers that TE has identified as EU ELV compliant have a maximum concentration of 0.1% by weight in homogenous materials for lead, hexavalent chromium, and mercury, and 0.01% for cadmium, or qualify for an exemption to these limits as defined in the Annexes of Directive 2000/53/EC (ELV). Regarding the REACH Regulations, TE's information on SVHC in articles for this part number is still based on the European Chemical Agency (ECHA) 'Guidance on requirements for substances in articles' (Version: 2, April 2011), applying the 0.1% weight on weight concentration threshold at the finished product level. TE is aware of the European Court of Justice ruling of September 10th, 2015 also known as O5A (Once An Article Always An Article) stating that, in case of 'complex object', the threshold for a SVHC must be applied to both the product as a whole and simultaneously to each of the articles forming part of its composition. TE has evaluated this ruling based on the new ECHA "Guidance on requirements for substances in articles" (June 2017, version 4.0) and will be updating its statements accordingly.

Compatible Parts





Also in the Series | AMP-METRIMATE





RJ45 Connectors(51)



SO DIMM Sockets(14)



Standard Rectangular Connectors(3)

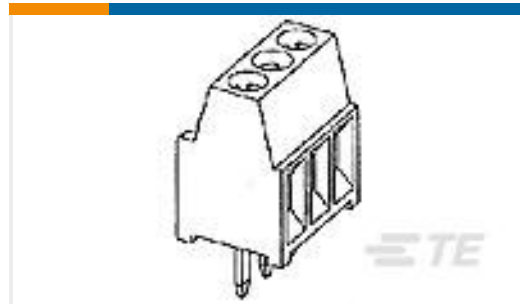
Customers Also Bought



TE Model / Part #5-1634532-1
BNC T Adpt JPJ 50Ohm Nickel Gold Pltd



TE Model / Part #1-1337543-0
BNC Ins R/A PCB Skt 50Ohm White



TE Model / Part #282834-2
TERMI-BLOK PCB MOUNT, 90 2P.



TE Model / Part #1825910-6
FSM4JH=6MM TACT SWITCH, HIGH TEMP



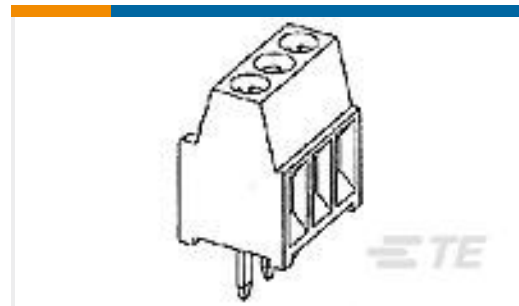
TE Model / Part #1625854-3
0603 PROBE PAD



TE Model / Part #1-1634612-0
BNC Ins R/A PCB Skt 50Ohm Black



TE Model / Part #382811-8
SHUNT, ECON, PHBR 5AU, BLACK



TE Model / Part #282834-3
TERMI-BLOK PCB MOUNT, 90 3P.



TE Model / Part #5-1634523-1
BNC BHskt + TAG 50Ohm Nickel Pltd



TE Model / Part #881545-2
SHUNT LP W/HANDLE 2 POS 30AU

Documents

Product Drawings

[BNC Str PCB Skt 50Ohm Nickel Pltd](#)

English

CAD Files

[Customer View Model](#)

[ENG_CVM_CVM_5-1634503-1_D.2d_dxf.zip](#)

English

[3D PDF](#)



3D

Customer View Model

[ENG_CVM_CVM_5-1634503-1_D.3d_igs.zip](#)

English

Customer View Model

[ENG_CVM_CVM_5-1634503-1_D.3d_stp.zip](#)

English

By downloading the CAD file I accept and agree to the [Terms and Conditions](#) of use.

Datasheets & Catalog Pages

[BNC Connectors](#)

English

[1-1773725-8_RF_COAX_QRG](#)

English

Product Specifications

[Economy RF Coaxial Connectors](#)

English

[Product Specification](#)

English

Product Environmental Compliance

[TE Material Declaration](#)

English