

Easy to Adjust for the Required Application with a Broad Range of Variations

- Easy to install and adjust on an aluminum frame or track.
- Tough design includes sturdy Cover Fittings for Sensor protection.



Ordering Information

Appearance	Name	Model	Applicable models		
			E3Z	E39-R1	E39-R3
	Horizontal mounting, flexible type	E39-L93FH	Yes	Yes *2	Yes
	Vertical mounting, flexible type	E39-L93FV	Yes	Yes *2	Yes
	Horizontal mounting, fixed type	E39-L93H	Yes	Yes *2	Yes
	Vertical mounting, fixed type	E39-L93V	Yes	Yes *2	Yes
	Shaft with XY joint	E39-L93XY	---	---	---
	Sensor Adjuster *1	E39-L150	Yes	---	Yes
		E39-L151	Yes	---	Yes
	Mounting Attachments for the E39-L93□ and E39-R1	E39-L96	---	Yes	---
	Cover Fitting for vertical type	E39-L98	Yes	---	---

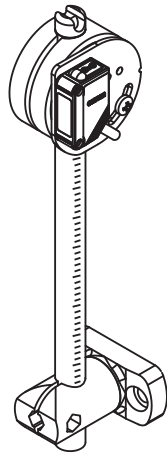
*1. The Sensor Adjuster does not include the Sensor. Order the Sensor separately according to the required application.

*2. The E39-L96 can be used for mounting.

Easy Mounting and Adjustment on Aluminum Frames and Tracks of Conveyors

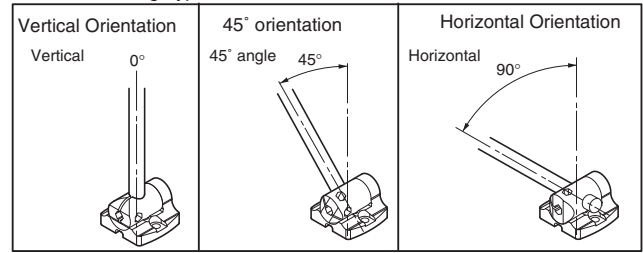
● E39-L93 □ Sensor Adjuster

1. Set to any height up to 200 mm.
2. Fastens securely with M6 screws.

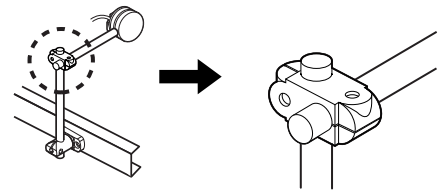


3. Variable pipe direction in increments of 45°

Flexible Mounting Types



4. Using a shaft with an XY joint enables detection from above the production line.

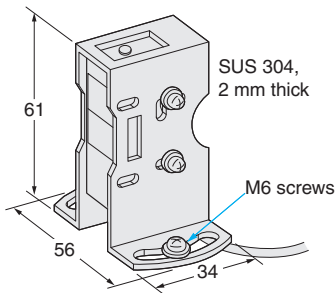


Tough Design Provides Strong, Durable Protection!

● E39-L98 Cover Fittings

1. M6 screws on both sides for strong mounting.
2. Stainless steel construction for excellent environmental resistance.

E39-L98



● Replacing E39-L93

Mounting pitch compatibility	Horizontal mounting	E39-L93H
	Vertical mounting	E39-L93V
Flexibility compatibility (without mounting pitch compatibility)	Horizontal mounting	E39-L93FH
	Vertical mounting	E39-L93FV
Top mounting	E39-L93H E39-L93V E39-L93FH E39-L93FV	Use the following model together with the models indicated on the left. E39-L93XY

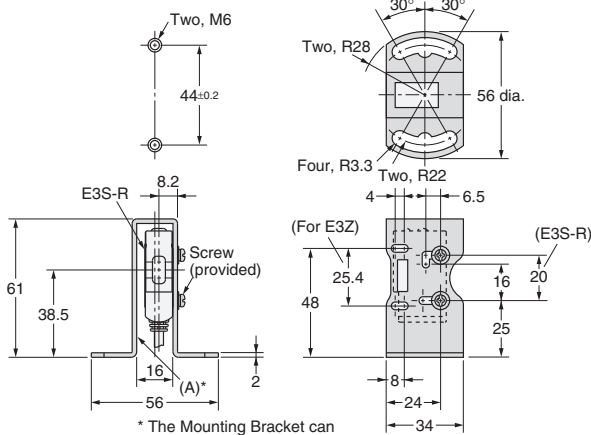
Dimensions

(Unit: mm)

Tolerance class IT16 applies to dimensions in this datasheet unless otherwise specified.

E39-L98

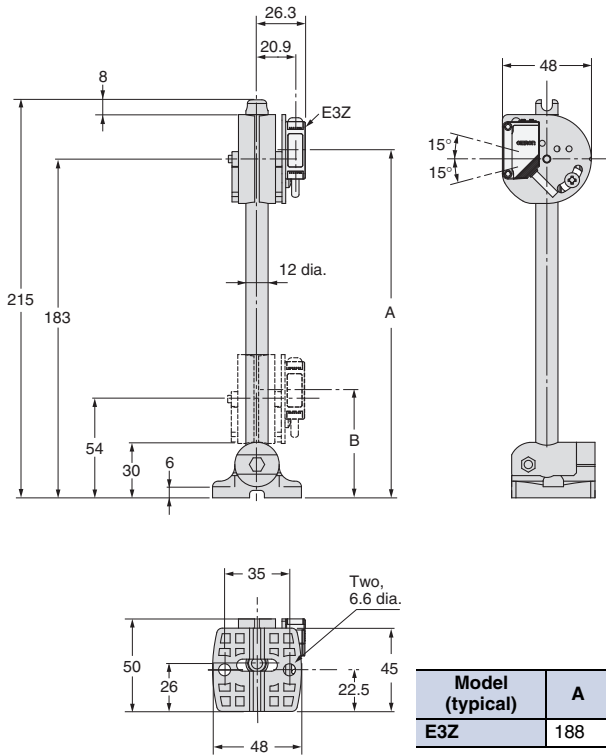
Mounting Holes



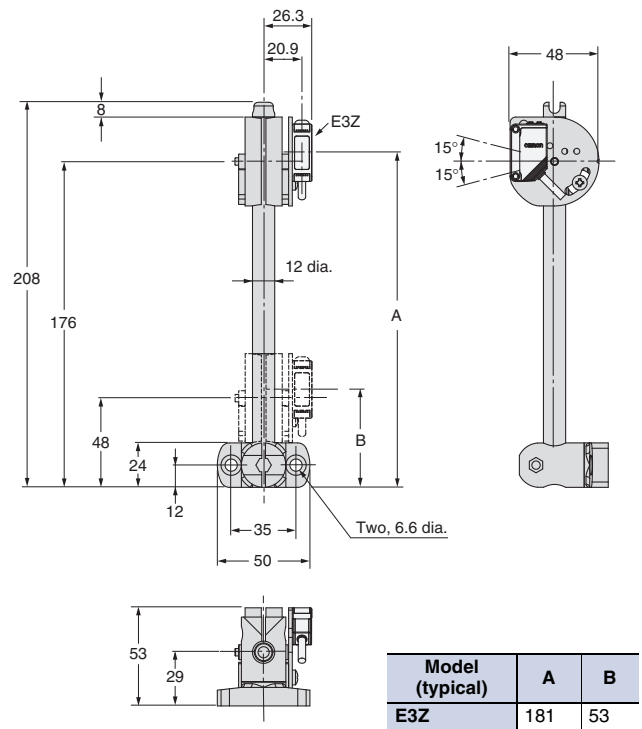
* The Mounting Bracket can also be attached to surface A.

Material: Stainless steel (SUS304)

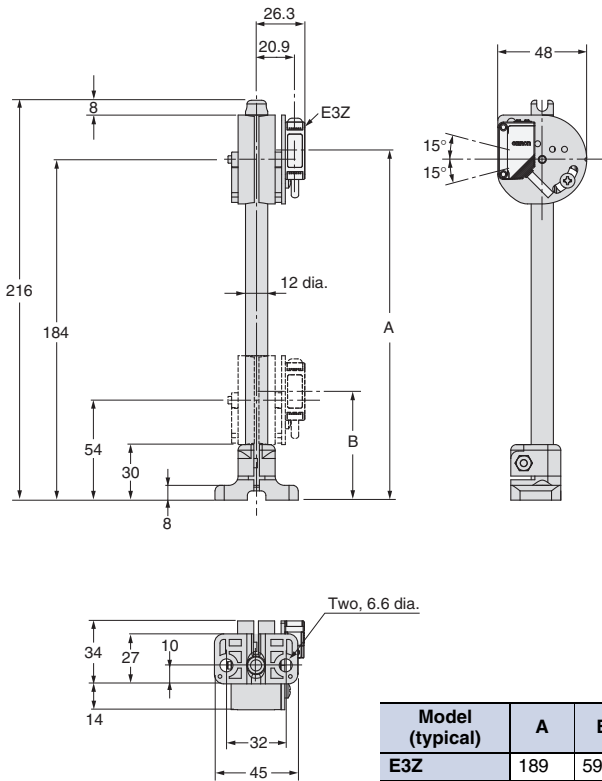
E39-L93FH



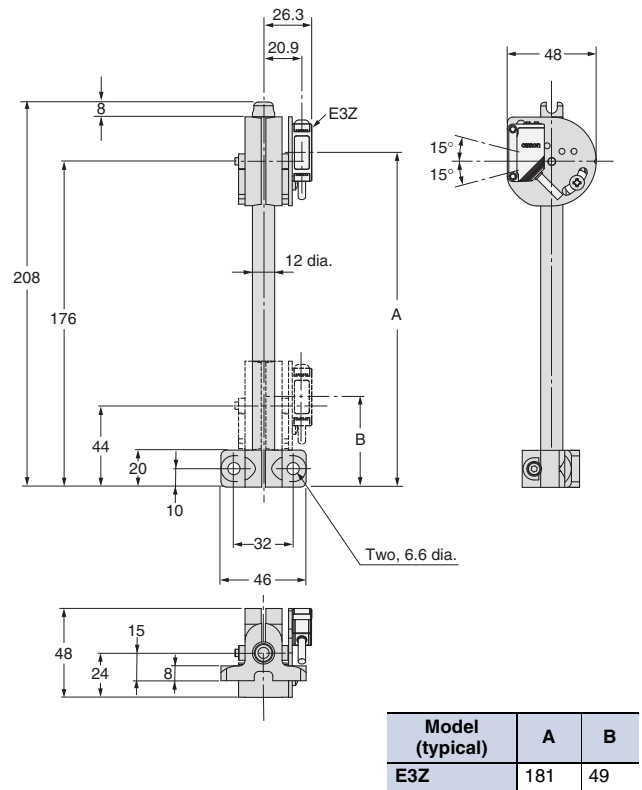
E39-L93FV



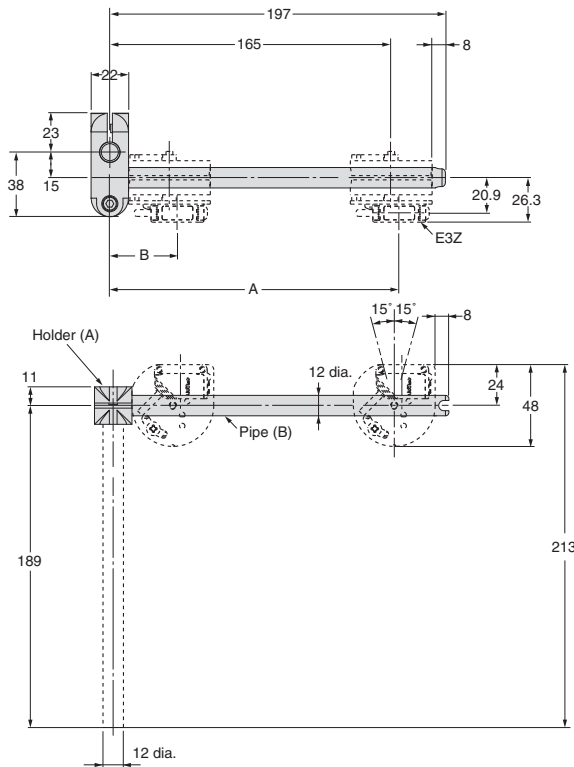
E39-L93H



E39-L93V



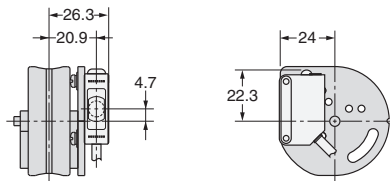
E39-L93XY



Model (typical)	A	B
E3Z	170	40

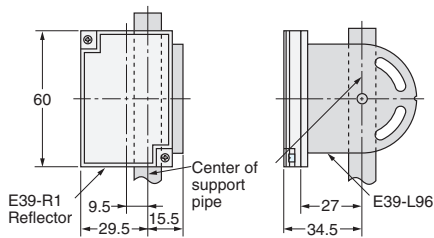
Note: The E39-L93XY consists of only the one joint holder (A) and pipe (B), and the two hexagonal bolts and nuts. It cannot be mounted to the Sensor alone.

E3Z
+
E39-L93

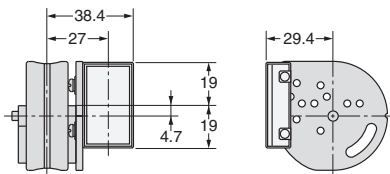


E39-R1
(Reflector)
+
E39-L93

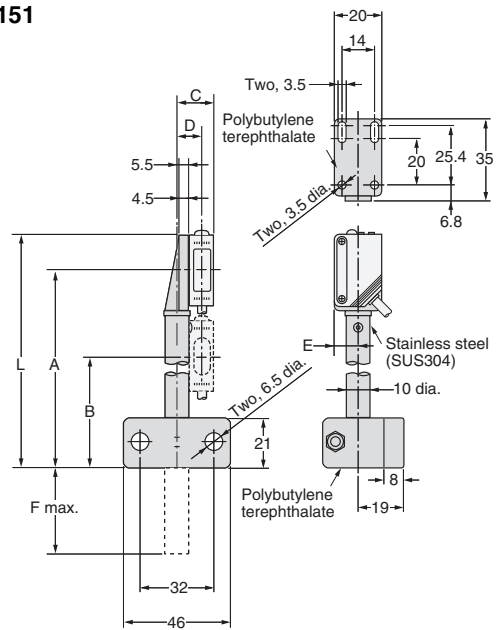
Note: E39-L96 required.



E39-R3
(Reflector)
+
E39-L93



E39-L150
E39-L151



E39-L150

Model (typical)	A	B	C	D	E	F
E3Z	84.5	47.5	16.3	10.9	10	37

Model	L
E39-L150	100
E39-L151	200

Terms and Conditions Agreement

Read and understand this catalog.

Please read and understand this catalog before purchasing the products. Please consult your OMRON representative if you have any questions or comments.

Warranties.

(a) Exclusive Warranty. Omron's exclusive warranty is that the Products will be free from defects in materials and workmanship for a period of twelve months from the date of sale by Omron (or such other period expressed in writing by Omron). Omron disclaims all other warranties, express or implied.

(b) Limitations. OMRON MAKES NO WARRANTY OR REPRESENTATION, EXPRESS OR IMPLIED, ABOUT NON-INFRINGEMENT, MERCHANTABILITY OR FITNESS FOR A PARTICULAR PURPOSE OF THE PRODUCTS. BUYER ACKNOWLEDGES THAT IT ALONE HAS DETERMINED THAT THE PRODUCTS WILL SUITABLY MEET THE REQUIREMENTS OF THEIR INTENDED USE.

Omron further disclaims all warranties and responsibility of any type for claims or expenses based on infringement by the Products or otherwise of any intellectual property right. (c) Buyer Remedy. Omron's sole obligation hereunder shall be, at Omron's election, to (i) replace (in the form originally shipped with Buyer responsible for labor charges for removal or replacement thereof) the non-complying Product, (ii) repair the non-complying Product, or (iii) repay or credit Buyer an amount equal to the purchase price of the non-complying Product; provided that in no event shall Omron be responsible for warranty, repair, indemnity or any other claims or expenses regarding the Products unless Omron's analysis confirms that the Products were properly handled, stored, installed and maintained and not subject to contamination, abuse, misuse or inappropriate modification. Return of any Products by Buyer must be approved in writing by Omron before shipment. Omron Companies shall not be liable for the suitability or unsuitability or the results from the use of Products in combination with any electrical or electronic components, circuits, system assemblies or any other materials or substances or environments. Any advice, recommendations or information given orally or in writing, are not to be construed as an amendment or addition to the above warranty.

See <http://www.omron.com/global/> or contact your Omron representative for published information.

Limitation on Liability; Etc.

OMRON COMPANIES SHALL NOT BE LIABLE FOR SPECIAL, INDIRECT, INCIDENTAL, OR CONSEQUENTIAL DAMAGES, LOSS OF PROFITS OR PRODUCTION OR COMMERCIAL LOSS IN ANY WAY CONNECTED WITH THE PRODUCTS, WHETHER SUCH CLAIM IS BASED IN CONTRACT, WARRANTY, NEGLIGENCE OR STRICT LIABILITY.

Further, in no event shall liability of Omron Companies exceed the individual price of the Product on which liability is asserted.

Suitability of Use.

Omron Companies shall not be responsible for conformity with any standards, codes or regulations which apply to the combination of the Product in the Buyer's application or use of the Product. At Buyer's request, Omron will provide applicable third party certification documents identifying ratings and limitations of use which apply to the Product. This information by itself is not sufficient for a complete determination of the suitability of the Product in combination with the end product, machine, system, or other application or use. Buyer shall be solely responsible for determining appropriateness of the particular Product with respect to Buyer's application, product or system. Buyer shall take application responsibility in all cases.

NEVER USE THE PRODUCT FOR AN APPLICATION INVOLVING SERIOUS RISK TO LIFE OR PROPERTY OR IN LARGE QUANTITIES WITHOUT ENSURING THAT THE SYSTEM AS A WHOLE HAS BEEN DESIGNED TO ADDRESS THE RISKS, AND THAT THE OMRON PRODUCT(S) IS PROPERLY RATED AND INSTALLED FOR THE INTENDED USE WITHIN THE OVERALL EQUIPMENT OR SYSTEM.

Programmable Products.

Omron Companies shall not be responsible for the user's programming of a programmable Product, or any consequence thereof.

Performance Data.

Data presented in Omron Company websites, catalogs and other materials is provided as a guide for the user in determining suitability and does not constitute a warranty. It may represent the result of Omron's test conditions, and the user must correlate it to actual application requirements. Actual performance is subject to the Omron's Warranty and Limitations of Liability.

Change in Specifications.

Product specifications and accessories may be changed at any time based on improvements and other reasons. It is our practice to change part numbers when published ratings or features are changed, or when significant construction changes are made. However, some specifications of the Product may be changed without any notice. When in doubt, special part numbers may be assigned to fix or establish key specifications for your application. Please consult with your Omron's representative at any time to confirm actual specifications of purchased Product.

Errors and Omissions.

Information presented by Omron Companies has been checked and is believed to be accurate; however, no responsibility is assumed for clerical, typographical or proofreading errors or omissions.