

Product Change Notification - SYST-05GMYP876

Date:

06 Feb 2020

Product Category:

Microprocessors

Affected CPNs:**Notification subject:**

Data Sheet - SAMA5D3 Series Data Sheet

Notification text:

SYST-05GMYP876

Microchip has released a new Product Documents for the SAMA5D3 Series Data Sheet of devices. If you are using one of these devices please read the document located at [SAMA5D3 Series Data Sheet](#).

Notification Status: Final**Description of Change:**

- 1) Template update: Moved from Atmel to Microchip template.
- 2) The datasheet is assigned a new document number (DS60001609) and revision letter is reset to A.
- 3) Document number DS60001609 revision A corresponds to what would have been 11121 revision G.
- 4) ISBN number assigned.
- 5) Section 3. Package and Pinout: Table 3-1 SAMA5D3 Pinout for 324-ball LFBGA Package and Table 3-2 SAMA5D3 Pinout for 324-ball TFBGA Package: modified detail on Reset State for PE26. Added table note on Reset State. Added GMAC to Table 3-3 SAMA5D3 I/O Type Description.
- 6) Section 4. Power Considerations: updated description of Table 4-1 SAMA5D3 Power Supplies. Updated Section 4.2 Power Sequence Requirements.
- 7) Section 8. Peripherals: updated 'Reserved' PIDs in Table 8-1 Peripheral Identifiers.
- 8) Section 10. Debug and Test: updated Figure 10-1 Debug and Test Block Diagram.
- 9) Section 11. Standard Boot Strategies: updated nbSectorPerPage description in section NAND Flash Specific Header Detection.
- 10) Section 14. Bus Matrix (MATRIX): updated Matrix slaves.
- 11) Section 22. Real-time Clock (RTC): deleted all references to Register Write Protection.
- 12) Section 25. Clock Generator: added CAL field detail in Section 25.5.2 12 MHz RC Oscillator Clock Frequency Adjustment.
- 13) Section 29. Multi-port DDR-SDRAM Controller (MPDDRC): modified row range in Table 29-8 Interleaved Mapping DDR-SDRAM Configuration Mapping: 8K Rows, 512/1024/2048 Columns, 4 banks.
- 14) Section 33. Image Sensor Interface (ISI): added important note to Section 33.4.2 Power Management.
- 15) Section 36. Gigabit Ethernet MAC (GMAC): updated Section 36.9.10 GMAC Interrupt Status Register, Section 36.9.11 GMAC Interrupt Enable Register, Section 36.9.12 GMAC Interrupt Disable Register, Section 36.9.13 GMAC Interrupt Mask Register with TSUTIMCOMP bit (index 29).
- 16) Section 37. Ethernet 10/100 MAC (EMAC): updated Section 37.4.14 Physical Interface with support for RMII only.
- 17) Section 39. Serial Peripheral Interface (SPI): deleted REQCLR bit in Section 39.8.1 SPI Control Register.
- 18) Section 40. Two-wire Interface (TWI): updated Figure 40-25 Master Performs a General Call. Updated bit descriptions CHDIV, CLDIV in Section 40.8.5 TWI Clock Waveform Generator Register.
- 19) Section 54. Electrical Characteristics: Table 54-2 DC Characteristics: added RPULL for GMAC pads. Section 54.16 SSC Timings: updated Figure 54-23 SSC Transmitter, TK and TF in Input;



updated Table 54-60 SSC Timings with 3.3V Peripheral Supply and Table 54-61 SSC Timings with 1.8V Peripheral Supply. Added Section 54.20 USART in Asynchronous Modes. Table 54-73 Two-wire Serial Bus Requirements: updated formulae in Note (2).

20) Section 55. Mechanical Characteristics: added reference to Microchip Packaging Specification.

21) Section 56. Schematic Checklist: updated Description for VDDIOM in Table 56-1 Power Supply Connections.

22) Section 59. Errata: Added errata: Section 59.6.2 DMAC: Not possible to transfer data with DMA to the SHA when SHA384 or SHA512 algorithm is selected Section 59.9.3 GMAC: Bad association of timestamps and PTP packets Section 59.11.1 USART: USART Framing error not detected if last data bit is 1

Impacts to Data Sheet: None

Reason for Change: To Improve Productivity

Change Implementation Status: Complete

Date Document Changes Effective: 6 Feb 2020

NOTE: Please be advised that this is a change to the document only the product has not been changed.

Markings to Distinguish Revised from Unrevised Devices: N/A

Attachment(s):

[SAMA5D3 Series Data Sheet](#)

Please contact your local [Microchip sales office](#) with questions or concerns regarding this notification.

Terms and Conditions:

If you wish to receive Microchip PCNs via email please register for our PCN email service at our [PCN home page](#) select register then fill in the required fields. You will find instructions about registering for Microchips PCN email service in the [PCN FAQ](#) section.

If you wish to change your PCN profile, including opt out, please go to the [PCN home page](#) select login and sign into your myMicrochip account. Select a profile option from the left navigation bar and make the applicable selections.

Affected Catalog Part Numbers (CPN)

ATSAMA5D3-XPLD
ATSAMA5D31A-CFU
ATSAMA5D31A-CFUR
ATSAMA5D31A-CU
ATSAMA5D31A-CUR
ATSAMA5D33A-CU
ATSAMA5D33A-CUR
ATSAMA5D34A-CU
ATSAMA5D34A-CUR
ATSAMA5D35A-CN
ATSAMA5D35A-CNR
ATSAMA5D35A-CU
ATSAMA5D35A-CUR
ATSAMA5D36A-CN
ATSAMA5D36A-CNR
ATSAMA5D36A-CU
ATSAMA5D36A-CUR
ATSAMA5D36A-W



SAMA5D3 SERIES

Low-Power Arm[®] Cortex[®]-A5 Processor-Based MPU, 536 MHz, FPU, Gigabit Ethernet with IEEE[®]1588 plus 10/100 Ethernet, Dual CAN, AES, SHA

Description

The Microchip SAMA5D3 series is a high-performance, power-efficient embedded MPU based on the Arm[®] Cortex[®]-A5 processor, achieving 536 MHz with power consumption levels below 0.5 mW in low-power mode. The device features a floating point unit for high-precision computing and accelerated data processing, and a high data bandwidth architecture. It integrates advanced user interface and connectivity peripherals and security features.

The SAMA5D3 series features an internal multi-layer bus architecture associated with 39 DMA channels to sustain the high bandwidth required by the processor and the high-speed peripherals. The device offers support for DDR2/LPDDR/LPDDR2 and MLC NAND Flash memory with 24-bit ECC.

The comprehensive peripheral set includes an LCD controller with overlays for hardware-accelerated image composition, a touchscreen interface and a CMOS sensor interface. Connectivity peripherals include Gigabit EMAC with IEEE[®]1588, 10/100 EMAC, multiple CAN, UART, SPI and I2C. With its secure boot mechanism, hardware accelerated engines for encryption (AES, TDES) and hash function (SHA), the SAMA5D3 ensures anti-cloning, code protection and secure external data transfers.

The SAMA5D3 series is optimized for control panel/HMI applications and applications that require high levels of connectivity in the industrial and consumer markets. Its low-power consumption levels make the SAMA5D3 particularly suited for battery-powered devices.

There are five SAMA5D3 devices in this series. The table [SAMA5D3 Device Differences on page 3](#) shows the differences in the embedded features. All other features are available on all derivatives; this includes the three USB ports as well as the encryption engine and secure boot features.

SAMA5D3 SERIES

Features

- Core
 - Arm Cortex-A5 Processor with ARMv7-A Thumb-2 Instruction Set
 - CPU Frequency up to 536 MHz
 - 32 Kbyte Data Cache, 32 Kbyte Instruction Cache, Virtual Memory System Architecture (VMSA)
 - Fully Integrated MMU and Floating Point Unit (VFPv4)
- Memories
 - One 160 Kbyte Internal ROM Single-cycle Access at System Speed, Embedded Boot Loader: Boot on 8-bit NAND Flash, SDCard, eMMC, serial DataFlash, selectable Order
 - One 128 Kbyte Internal SRAM, Single-cycle Access at System Speed
 - High Bandwidth 32-bit Multi-port Dynamic RAM Controller supporting 512 Mbyte 8 bank 32-bit or 2x16-bit SDRAM devices
 - Independent Static Memory Controller with datapath scrambling and SLC/MLC NAND Support with up to 24-bit Error Correction Code (PMECC)
- System running up to 166 MHz
 - Reset Controller, Shutdown Controller, Periodic Interval Timer, Watchdog Timer and Real-time Clock
 - Boot Mode Select Option, Remap Command
 - Internal Low-power 32 kHz RC Oscillator and Fast 12 MHz RC Oscillator
 - Selectable 32768 Hz Low-power Oscillator and 12 MHz Oscillator
 - One 400 to 1000 MHz PLL for the System and one PLL at 480 MHz optimized for USB High Speed
 - 39 DMA Channels including two 8-channel 64-bit Central DMA Controllers
 - 64-bit Advanced Interrupt Controller
 - Three Programmable External Clock Signals
 - Programmable Fuse Box with 256 fuse bits (of which 192 are available for users)
- Low Power Management
 - Shutdown Controller
 - Battery Backup Registers
 - Clock Generator and Power Management Controller
 - Very Slow Clock Operating Mode, Software Programmable Power Optimization Capabilities
- Peripherals
 - LCD TFT Controller with Overlay, Alpha-blending, Rotation, Scaling and Color Space Conversion
 - ITU-R BT. 601/656 Image Sensor Interface
 - Three HS/FS/LS USB Ports with On-Chip Transceivers
 - One Device Controller
 - One Host Controller with Integrated Root Hub (3 Downstream Ports)
 - One 10/100/1000 Mbps Gigabit Ethernet Media Access Controller (GMAC) with IEEE1588 support
 - One 10/100 Mbps Ethernet Media Access Controller (EMAC)
 - Two CAN Controllers with 8 Mailboxes, fully compliant with CAN 2.0 Part A and 2.0 Part B
 - Softmodem Interface
 - Three High Speed Memory Card Hosts (eMMC 4.3 and SD 2.0)
 - Two Master/Slave Serial Peripheral Interfaces
 - Two Synchronous Serial Controllers
 - Three Two-wire Interface up to 400 Kbit/s supporting I2C Protocol and SMBUS
 - Four USARTs (ISO7816, IrDA[®], RS-485, SPI, Manchester and Modem Modes)
 - Two UARTs
 - One DBGU
 - Two 3-channel 32-bit Timer/Counters
 - One 4-channel 16-bit PWM Controller
 - One 12-channel 12-bit Analog-to-Digital Converter with Resistive Touchscreen function
- Safety
 - Power-on Reset Cells
 - Independent Watchdog
 - Main Crystal Clock Failure Detection
 - Register Write Protection

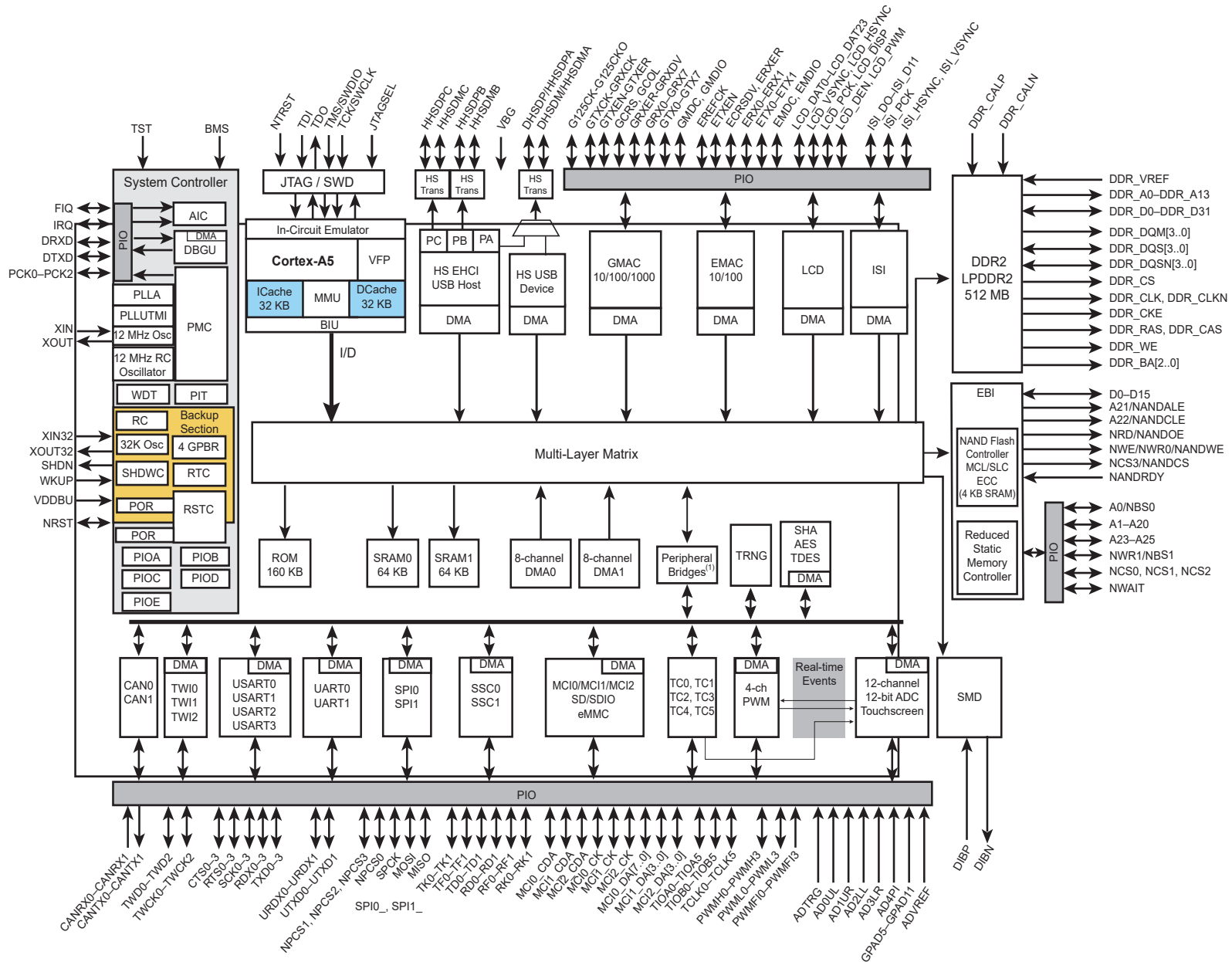
- SHA: Supports Secure Hash Algorithm (SHA1, SHA224, SHA256, SHA384, SHA512)
- Memory Management Unit
- Security
 - TRNG: True Random Number Generator
 - Encryption Engine
 - AES: 256-bit, 192-bit, 128-bit Key Algorithm, Compliant with FIPS PUB 197 Specifications
 - TDES: Two-key or Three-key Algorithms, Compliant with FIPS PUB 46-3 Specifications
 - Secure Boot Solution
- I/O
 - Five 32-bit Parallel Input/Output Controllers
 - 160 I/Os
 - Input Change Interrupt Capability on Each I/O Line, Selectable Schmitt Trigger Input
 - Individually Programmable Open-drain, Pull-up and Pull-down Resistor, Synchronous Output, Filtering
 - Slew Rate Control on High Speed I/Os
 - Impedance Control on DDR I/Os
- Packages
 - 324-ball LFBGA, 15 x 15 x 1.4 mm, pitch 0.8 mm
 - 324-ball TFBGA, 12 x 12 x 1.2 mm, pitch 0.5 mm

SAMA5D3 Device Differences

Peripherals	SAMA5D31	SAMA5D33	SAMA5D34	SAMA5D35	SAMA5D36
CAN0, CAN1	–	–	✓	✓	✓
EMAC	✓	–	–	✓	✓
GMAC	–	✓	✓	✓	✓
HSMCI2	✓	–	✓	✓	✓
LCDC	✓	✓	✓	–	✓
TC1	–	–	–	✓	✓
UART0, UART1	✓	–	–	✓	✓

1. Block Diagram

Figure 1-1: SAMA5D3 Block Diagram⁽¹⁾



Note 1: Peripheral Bridge 0 (APB0) connects HSMCI0, SPI0, USART0, USART1, TWI0, TWI1, UART0, SSC0, SMD.
Peripheral Bridge 1 (APB1) connects HSMCI1, HSMCI2, ADC, SSC1, UART1, USART2, USART3, TWI2, DBGU, SPI1, SHA, AES, TDES.

2. Signal Description

Table 2-1 gives details on the signal names classified by peripheral.

Table 2-1: Signal Description List

Signal Name	Function	Type	Active Level
Clocks, Oscillators and PLLs			
XIN	Main Oscillator Input	Input	—
XOUT	Main Oscillator Output	Output	—
XIN32	Slow Clock Oscillator Input	Input	—
XOUT32	Slow Clock Oscillator Output	Output	—
VBG	Bias Voltage Reference for USB	Analog	—
PCK0–PCK2	Programmable Clock Output	Output	—
Shutdown, Wake-up Logic			
SHDN	Shutdown Control	Output	—
WKUP	Wake-Up Input	Input	—
ICE and JTAG			
TCK/SWCLK	Test Clock/Serial Wire Clock	Input	—
TDI	Test Data In	Input	—
TDO	Test Data Out	Output	—
TMS/SWDIO	Test Mode Select/Serial Wire Input/Output	I/O	—
JTAGSEL	JTAG Selection	Input	—
Reset/Test			
NRST	Microcontroller Reset	I/O	Low
TST	Test Mode Select	Input	—
NTRST	Test Reset Signal	Input	—
BMS	Boot Mode Select	Input	—
Debug Unit - DBGU			
DRXD	Debug Receive Data	Input	—
DTXD	Debug Transmit Data	Output	—
Advanced Interrupt Controller - AIC			
IRQ	External Interrupt Input	Input	—
FIQ	Fast Interrupt Input	Input	—
PIO Controller - PIOA - PIOB - PIOC - PIOD - PIOE			
PA0–PAxx	Parallel IO Controller A	I/O	—
PB0–PBxx	Parallel IO Controller B	I/O	—
PC0–PCxx	Parallel IO Controller C	I/O	—
PD0–PDxx	Parallel IO Controller D	I/O	—
PE0–PExx	Parallel IO Controller E	I/O	—

SAMA5D3 SERIES

Table 2-1: Signal Description List (Continued)

Signal Name	Function	Type	Active Level
External Bus Interface - EBI			
D0–D15	Data Bus	I/O	—
A0–A25	Address Bus	Output	—
NWAIT	External Wait Signal	Input	Low
Static Memory Controller - SMC			
NCS0–NCS3	Chip Select Lines	Output	Low
NWR0–NWR1	Write Signal	Output	Low
NRD	Read Signal	Output	Low
NWE	Write Enable	Output	Low
NBS0–NBS1	Byte Mask Signal	Output	Low
NANDOE	NAND Flash Output Enable	Output	Low
NANDWE	NAND Flash Write Enable	Output	Low
DDR2/LPDDR Controller			
DDR_VREF	Reference Voltage	Input	—
DDR_CALP	Positive Calibration Reference	Input	—
DDR_CALN	Negative Calibration Reference	Input	—
DDR_CK, DDR_CKN	DDR2 differential clock	Output	—
DDR_CKE	DDR2 Clock Enable	Output	High
DDR_CS	DDR2 Controller Chip Select	Output	Low
DDR_BA[2..0]	Bank Select	Output	Low
DDR_WE	DDR2 Write Enable	Output	Low
DDR_RAS, DDR_CAS	Row and Column Signal	Output	Low
DDR_A[13..0]	DDR2 Address Bus	Output	—
DDR_D[31..0]	DDR2 Data Bus	I/O	—
DQS[3..0]	Differential Data Strobe	I/O	—
DQSN[3..0]	DQSN must be connected to DDR_VREF for DDR2 memories	I/O	—
DQM[3..0]	Write Data Mask	Output	—
High Speed Multimedia Card Interface - HSMCIx [2..0]			
MCI0_CK, MCI1_CK, MCI2_CK	Multimedia Card Clock	I/O	—
MCI0_CDA, MCI1_CDA, MCI2_CDA	Multimedia Card Command	I/O	—
MCI0_DA[7..0]	Multimedia Card 0 Data	I/O	—
MCI1_DA[3..0]	Multimedia Card 1 Data	I/O	—
MCI2_DA[3..0]	Multimedia Card 2 Data	I/O	—

Table 2-1: Signal Description List (Continued)

Signal Name	Function	Type	Active Level
Universal Synchronous Asynchronous Receiver Transmitter - USARTx [3..0]			
SCKx	USARTx Serial Clock	I/O	—
TXDx	USARTx Transmit Data	Output	—
RXDx	USARTx Receive Data	Input	—
RTSx	USARTx Request To Send	Output	—
CTSx	USARTx Clear To Send	Input	—
Universal Asynchronous Receiver Transmitter - UARTx [1..0]			
UTXDx	UARTx Transmit Data	Output	—
URXDx	UARTx Receive Data	Input	—
Synchronous Serial Controller - SSCx [1..0]			
TDx	SSC Transmit Data	Output	—
RDx	SSC Receive Data	Input	—
TKx	SSC Transmit Clock	I/O	—
RKx	SSC Receive Clock	I/O	—
TFx	SSC Transmit Frame Sync	I/O	—
RFx	SSC Receive Frame Sync	I/O	—
Timer/Counter - TCx [5..0]			
TCLKx	TC Channel x External Clock Input	Input	—
TIOAx	TC Channel x I/O Line A	I/O	—
TIOBx	TC Channel x I/O Line B	I/O	—
Serial Peripheral Interface - SPIx [1..0]			
SPIx_MISO	Master In Slave Out	I/O	—
SPIx_MOSI	Master Out Slave In	I/O	—
SPIx_SPCK	SPI Serial Clock	I/O	—
SPIx_NPCS0	SPI Peripheral Chip Select 0	I/O	Low
SPIx_NPCS[3..1]	SPI Peripheral Chip Select	Output	Low
Two-Wire Interface - TWIx [2..0]			
TWDx	Two-wire Serial Data	I/O	—
TWCKx	Two-wire Serial Clock	I/O	—
CAN controller - CANx [1..0]			
CANRXx	CAN input	Input	—
CANTXx	CAN output	Output	—
Soft Modem - SMD			
DIBN	Soft Modem Signal	I/O	—
DIBP	Soft Modem Signal	I/O	—

SAMA5D3 SERIES

Table 2-1: Signal Description List (Continued)

Signal Name	Function	Type	Active Level
Pulse Width Modulation Controller - PWMC			
PWMH[3..0]	PWM Waveform Output High	Output	—
PWML[3..0]	PWM Waveform Output Low	Output	—
PWMFlx	PWM Fault Input	Input	—
USB Host High Speed Port - UHPHS			
HHSDPA	USB Host Port A High Speed Data +	Analog	—
HHSDMA	USB Host Port A High Speed Data -	Analog	—
HHSDPB	USB Host Port B High Speed Data +	Analog	—
HHSDMB	USB Host Port B High Speed Data -	Analog	—
HHSDPC	USB Host Port C High Speed Data +	Analog	—
HHSDMC	USB Host Port C High Speed Data -	Analog	—
USB Device High Speed Port - UDPHS			
DHSDP	USB Device High Speed Data +	Analog	—
DHSDM	USB Device High Speed Data -	Analog	—
Gigabit Ethernet 10/100/1000 - GMAC			
GTXCK	Transmit Clock or Reference Clock	Output	—
G125CK	125 MHz input Clock	Input	—
G125CKO	125 MHz output Clock	Output	—
GTXEN	Transmit Enable	Output	—
GTX[7..0]	Transmit Data	Output	—
GTXER	Transmit Coding Error	Output	—
GRXCK	Receive Clock	Input	—
GRXDV	Receive Data Valid	Input	—
GRX[7..0]	Receive Data	Input	—
GRXER	Receive Error	Input	—
GCRS	Carrier Sense and Data Valid	Input	—
GCOL	Collision Detect	Input	—
GMDC	Management Data Clock	Output	—
GMDIO	Management Data Input/Output	I/O	—

Table 2-1: Signal Description List (Continued)

Signal Name	Function	Type	Active Level
RMII Ethernet 10/100 - EMAC			
EREFCK	Transmit Clock or Reference Clock	Input	—
ETXEN	Transmit Enable	Output	—
ETX[1..0]	Transmit Data	Output	—
ECRSDV	Carrier Sense/Data Valid	Input	—
ERX[1..0]	Receive Data	Input	—
ERXER	Receive Error	Input	—
EMDC	Management Data Clock	Output	—
EMDIO	Management Data Input/Output	I/O	—
LCD Controller - LCDC			
LCDDAT[23..0]	LCD Data Bus	Output	—
LCDVSYNC	LCD Vertical Synchronization	Output	—
LCDHSYNC	LCD Horizontal Synchronization	Output	—
LCDPCK	LCD pixel Clock	Output	—
LCDDEN	LCD Data Enable	Output	—
LCDPWM	LCDPWM for Contrast Control	Output	—
LCDDISP	LCD Display ON/OFF	Output	—
Image Sensor Interface - ISI			
ISI_D[11..0]	Image Sensor Data	Input	—
ISI_HSYNC	Image Sensor Horizontal Synchro	input	—
ISI_VSYNC	Image Sensor Vertical Synchro	input	—
ISI_PCK	Image Sensor Data clock	input	—
Touchscreen Analog-to-Digital Converter - ADC			
AD0 _{UL}	Upper Left Touch Panel	Analog	—
AD1 _{UR}	Upper Right Touch Panel	Analog	—
AD2 _{LL}	Lower Left Touch Panel	Analog	—
AD3 _{LR}	Lower Right Touch Panel	Analog	—
AD4 _{Pi}	Panel Input	Analog	—
AD5–AD11	7 Analog Inputs	Analog	—
ADTRG	ADC Trigger	Input	—
ADVREF	ADC Reference	Analog	—

SAMA5D3 SERIES

3. Package and Pinout

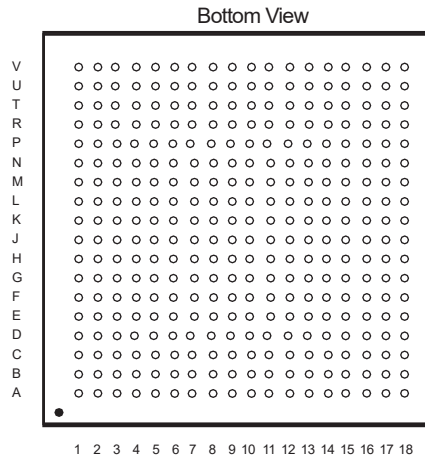
The SAMA5D3 is available in two Green-compliant packages:

- 324-ball LFBGA (15 x 15 x 1.4 mm, pitch 0.8 mm)
- 324-ball TFBGA (12 x 12 x 1.2 mm, pitch 0.5 mm)

3.1 324-ball LFBGA Package (15 x 15 x 1.4 mm, pitch 0.8 mm)

Figure 3-1 shows the ball map of the 324-ball LFBGA package.

Figure 3-1: 324-ball LFBGA Ball Map



3.2 324-ball LFBGA Package Pinout

Table 3-1: SAMA5D3 Pinout for 324-ball LFBGA Package

Pin	Power Rail	I/O Type	Primary		Alternate		PIO Peripheral A		PIO Peripheral B		PIO Peripheral C		Reset State ⁽¹⁾
			Signal	Dir	Signal	Dir	Signal	Dir	Signal	Dir	Signal	Dir	Signal, Dir, PU, PD, HiZ, ST
E3	VDDIOP0	GPIO	PA0	I/O	—	—	LCDDAT0	O	—	—	—	—	PIO, I, PU, ST
F5	VDDIOP0	GPIO	PA1	I/O	—	—	LCDDAT1	O	—	—	—	—	PIO, I, PU, ST
D2	VDDIOP0	GPIO	PA2	I/O	—	—	LCDDAT2	O	—	—	—	—	PIO, I, PU, ST
F4	VDDIOP0	GPIO	PA3	I/O	—	—	LCDDAT3	O	—	—	—	—	PIO, I, PU, ST
D1	VDDIOP0	GPIO	PA4	I/O	—	—	LCDDAT4	O	—	—	—	—	PIO, I, PU, ST
J10	VDDIOP0	GPIO	PA5	I/O	—	—	LCDDAT5	O	—	—	—	—	PIO, I, PU, ST
G4	VDDIOP0	GPIO	PA6	I/O	—	—	LCDDAT6	O	—	—	—	—	PIO, I, PU, ST
J9	VDDIOP0	GPIO	PA7	I/O	—	—	LCDDAT7	O	—	—	—	—	PIO, I, PU, ST
F3	VDDIOP0	GPIO	PA8	I/O	—	—	LCDDAT8	O	—	—	—	—	PIO, I, PU, ST
J8	VDDIOP0	GPIO	PA9	I/O	—	—	LCDDAT9	O	—	—	—	—	PIO, I, PU, ST
E2	VDDIOP0	GPIO	PA10	I/O	—	—	LCDDAT10	O	—	—	—	—	PIO, I, PU, ST
K8	VDDIOP0	GPIO	PA11	I/O	—	—	LCDDAT11	O	—	—	—	—	PIO, I, PU, ST
F2	VDDIOP0	GPIO	PA12	I/O	—	—	LCDDAT12	O	—	—	—	—	PIO, I, PU, ST
G6	VDDIOP0	GPIO	PA13	I/O	—	—	LCDDAT13	O	—	—	—	—	PIO, I, PU, ST
E1	VDDIOP0	GPIO	PA14	I/O	—	—	LCDDAT14	O	—	—	—	—	PIO, I, PU, ST
H5	VDDIOP0	GPIO	PA15	I/O	—	—	LCDDAT15	O	—	—	—	—	PIO, I, PU, ST
H3	VDDIOP0	GPIO	PA16	I/O	—	—	LCDDAT16	O	—	—	ISL_D0	I	PIO, I, PU, ST
H6	VDDIOP0	GPIO	PA17	I/O	—	—	LCDDAT17	O	—	—	ISL_D1	I	PIO, I, PU, ST
H4	VDDIOP0	GPIO	PA18	I/O	—	—	LCDDAT18	O	TWD2	I/O	ISL_D2	I	PIO, I, PU, ST
H7	VDDIOP0	GPIO	PA19	I/O	—	—	LCDDAT19	O	TWCK2	O	ISL_D3	I	PIO, I, PU, ST
H2	VDDIOP0	GPIO	PA20	I/O	—	—	LCDDAT20	O	PWMH0	O	ISL_D4	I	PIO, I, PU, ST
J6	VDDIOP0	GPIO	PA21	I/O	—	—	LCDDAT21	O	PWML0	O	ISL_D5	I	PIO, I, PU, ST
G2	VDDIOP0	GPIO	PA22	I/O	—	—	LCDDAT22	O	PWMH1	O	ISL_D6	I	PIO, I, PU, ST
J5	VDDIOP0	GPIO	PA23	I/O	—	—	LCDDAT23	O	PWML1	O	ISL_D7	I	PIO, I, PU, ST
F1	VDDIOP0	GPIO	PA24	I/O	—	—	LCDPWM	O	—	—	—	—	PIO, I, PU, ST
J4	VDDIOP0	GPIO	PA25	I/O	—	—	LCDDISP	O	—	—	—	—	PIO, I, PU, ST
G3	VDDIOP0	GPIO	PA26	I/O	—	—	LCDVSYNC	O	—	—	—	—	PIO, I, PU, ST
J3	VDDIOP0	GPIO	PA27	I/O	—	—	LCDHSYNC	O	—	—	—	—	PIO, I, PU, ST
G1	VDDIOP0	GPIO_CLK2	PA28	I/O	—	—	LCDPCK	O	—	—	—	—	PIO, I, PU, ST
K4	VDDIOP0	GPIO	PA29	I/O	—	—	LCDDEN	O	—	—	—	—	PIO, I, PU, ST
H1	VDDIOP0	GPIO	PA30	I/O	—	—	TWD0	I/O	URXD1	I	ISL_VSYNC	I	PIO, I, PU, ST
K3	VDDIOP0	GPIO	PA31	I/O	—	—	TWCK0	O	UTXD1	O	ISL_HSYNC	I	PIO, I, PU, ST
T2	VDDIOP1	GMAC	PB0	I/O	—	—	GTX0	O	PWMH0	O	—	—	PIO, I, PU, ST
N7	VDDIOP1	GMAC	PB1	I/O	—	—	GTX1	O	PWML0	O	—	—	PIO, I, PU, ST
T3	VDDIOP1	GMAC	PB2	I/O	—	—	GTX2	O	TK1	I/O	—	—	PIO, I, PU, ST
N6	VDDIOP1	GMAC	PB3	I/O	—	—	GTX3	O	TF1	I/O	—	—	PIO, I, PU, ST
P5	VDDIOP1	GMAC	PB4	I/O	—	—	GRX0	I	PWMH1	O	—	—	PIO, I, PU, ST
T4	VDDIOP1	GMAC	PB5	I/O	—	—	GRX1	I	PWML1	O	—	—	PIO, I, PU, ST
R4	VDDIOP1	GMAC	PB6	I/O	—	—	GRX2	I	TD1	O	—	—	PIO, I, PU, ST
U1	VDDIOP1	GMAC	PB7	I/O	—	—	GRX3	I	RK1	I	—	—	PIO, I, PU, ST

SAMA5D3 SERIES

Table 3-1: SAMA5D3 Pinout for 324-ball LFBGA Package (Continued)

Pin	Power Rail	I/O Type	Primary		Alternate		PIO Peripheral A		PIO Peripheral B		PIO Peripheral C		Reset State ⁽¹⁾
			Signal	Dir	Signal	Dir	Signal	Dir	Signal	Dir	Signal	Dir	Signal, Dir, PU, PD, HIZ, ST
R5	VDDIOP1	GMAC	PB8	I/O	—	—	GTXCCK	O	PWMH2	O	—	—	PIO, I, PU, ST
P3	VDDIOP1	GMAC	PB9	I/O	—	—	GTZEN	O	PWML2	O	—	—	PIO, I, PU, ST
R6	VDDIOP1	GMAC	PB10	I/O	—	—	GTZER	O	RF1	I/O	—	—	PIO, I, PU, ST
V3	VDDIOP1	GMAC	PB11	I/O	—	—	GRXCCK	I	RD1	I	—	—	PIO, I, PU, ST
P6	VDDIOP1	GMAC	PB12	I/O	—	—	GRXDV	I	PWMH3	O	—	—	PIO, I, PU, ST
V1	VDDIOP1	GMAC	PB13	I/O	—	—	GRZER	I	PWML3	O	—	—	PIO, I, PU, ST
R7	VDDIOP1	GMAC	PB14	I/O	—	—	GCRS	I	CANRX1	I	—	—	PIO, I, PU, ST
U3	VDDIOP1	GMAC	PB15	I/O	—	—	GCOL	I	CANTX1	O	—	—	PIO, I, PU, ST
P7	VDDIOP1	GMAC	PB16	I/O	—	—	GMDC	O	—	—	—	—	PIO, I, PU, ST
V2	VDDIOP1	GMAC	PB17	I/O	—	—	GMDIO	I/O	—	—	—	—	PIO, I, PU, ST
V5	VDDIOP1	GMAC	PB18	I/O	—	—	G125CCK	I	—	—	—	—	PIO, I, PU, ST
T6	VDDIOP1	GMAC	PB19	I/O	—	—	MCI1_CDA	I/O	GTX4	O	—	—	PIO, I, PU, ST
N8	VDDIOP1	GMAC	PB20	I/O	—	—	MCI1_DA0	I/O	GTX5	O	—	—	PIO, I, PU, ST
U4	VDDIOP1	GMAC	PB21	I/O	—	—	MCI1_DA1	I/O	GTX6	O	—	—	PIO, I, PU, ST
M7	VDDIOP1	GMAC	PB22	I/O	—	—	MCI1_DA2	I/O	GTX7	O	—	—	PIO, I, PU, ST
U5	VDDIOP1	GMAC	PB23	I/O	—	—	MCI1_DA3	I/O	GRX4	I	—	—	PIO, I, PU, ST
M8	VDDIOP1	GMAC	PB24	I/O	—	—	MCI1_CK	I/O	GRX5	I	—	—	PIO, I, PU, ST
T5	VDDIOP1	GMAC	PB25	I/O	—	—	SCK1	I/O	GRX6	I	—	—	PIO, I, PU, ST
N9	VDDIOP1	GMAC	PB26	I/O	—	—	CTS1	I	GRX7	I	—	—	PIO, I, PU, ST
V4	VDDIOP1	GPIO	PB27	I/O	—	—	RTS1	O	G125CKO	O	—	—	PIO, I, PU, ST
M9	VDDIOP1	GPIO	PB28	I/O	—	—	RXD1	I	—	—	—	—	PIO, I, PU, ST
P8	VDDIOP1	GPIO	PB29	I/O	—	—	TXD1	O	—	—	—	—	PIO, I, PU, ST
M10	VDDIOP0	GPIO	PB30	I/O	—	—	DRXD	I	—	—	—	—	PIO, I, PU, ST
R9	VDDIOP0	GPIO	PB31	I/O	—	—	DTXD	O	—	—	—	—	PIO, I, PU, ST
D8	VDDIOP0	GPIO	PC0	I/O	—	—	ETX0	O	TIOA3	I/O	—	—	PIO, I, PU, ST
A4	VDDIOP0	GPIO	PC1	I/O	—	—	ETX1	O	TIOB3	I/O	—	—	PIO, I, PU, ST
E8	VDDIOP0	GPIO	PC2	I/O	—	—	ERX0	I	TCLK3	I	—	—	PIO, I, PU, ST
A3	VDDIOP0	GPIO	PC3	I/O	—	—	ERX1	I	TIOA4	I/O	—	—	PIO, I, PU, ST
A2	VDDIOP0	GPIO	PC4	I/O	—	—	ETXEN	O	TIOB4	I/O	—	—	PIO, I, PU, ST
F8	VDDIOP0	GPIO	PC5	I/O	—	—	ECRSKV	I	TCLK4	I	—	—	PIO, I, PU, ST
B3	VDDIOP0	GPIO	PC6	I/O	—	—	ERXER	I	TIOA5	I/O	—	—	PIO, I, PU, ST
G8	VDDIOP0	GPIO	PC7	I/O	—	—	EREFCK	I	TIOB5	I/O	—	—	PIO, I, PU, ST
B4	VDDIOP0	GPIO	PC8	I/O	—	—	EMDC	O	TCLK5	I	—	—	PIO, I, PU, ST
F7	VDDIOP0	GPIO	PC9	I/O	—	—	EMDIO	I/O	—	—	—	—	PIO, I, PU, ST
A1	VDDIOP0	GPIO	PC10	I/O	—	—	MCI2_CDA	I/O	—	—	LCDDAT20	O	PIO, I, PU, ST
D7	VDDIOP0	GPIO	PC11	I/O	—	—	MCI2_DA0	I/O	—	—	LCDDAT19	O	PIO, I, PU, ST
C6	VDDIOP0	GPIO	PC12	I/O	—	—	MCI2_DA1	I/O	TIOA1	I/O	LCDDAT18	O	PIO, I, PU, ST
E7	VDDIOP0	GPIO	PC13	I/O	—	—	MCI2_DA2	I/O	TIOB1	I/O	LCDDAT17	O	PIO, I, PU, ST
B2	VDDIOP0	GPIO	PC14	I/O	—	—	MCI2_DA3	I/O	TCLK1	I	LCDDAT16	O	PIO, I, PU, ST
F6	VDDIOP0	MCI_CLK	PC15	I/O	—	—	MCI2_CK	I/O	PCK2	O	LCDDAT21	O	PIO, I, PU, ST
B1	VDDIOP0	GPIO	PC16	I/O	—	—	TK0	I/O	—	—	—	—	PIO, I, PU, ST
E6	VDDIOP0	GPIO	PC17	I/O	—	—	TF0	I/O	—	—	—	—	PIO, I, PU, ST

Table 3-1: SAMA5D3 Pinout for 324-ball LFBGA Package (Continued)

Pin	Power Rail	I/O Type	Primary		Alternate		PIO Peripheral A		PIO Peripheral B		PIO Peripheral C		Reset State ⁽¹⁾
			Signal	Dir	Signal	Dir	Signal	Dir	Signal	Dir	Signal	Dir	Signal, Dir, PU, PD, HIZ, ST
C3	VDDIOP0	GPIO	PC18	I/O	—	—	TD0	O	—	—	—	—	PIO, I, PU, ST
D6	VDDIOP0	GPIO	PC19	I/O	—	—	RK0	I/O	—	—	—	—	PIO, I, PU, ST
C4	VDDIOP0	GPIO	PC20	I/O	—	—	RF0	I/O	—	—	—	—	PIO, I, PU, ST
D5	VDDIOP0	GPIO	PC21	I/O	—	—	RD0	I	—	—	—	—	PIO, I, PU, ST
C2	VDDIOP0	GPIO	PC22	I/O	—	—	SPI1_MISO	I/O	—	—	—	—	PIO, I, PU, ST
G9	VDDIOP0	GPIO	PC23	I/O	—	—	SPI1_MOSI	I/O	—	—	—	—	PIO, I, PU, ST
C1	VDDIOP0	GPIO_CLK	PC24	I/O	—	—	SPI1_SPCK	I/O	—	—	—	—	PIO, I, PU, ST
H10	VDDIOP0	GPIO	PC25	I/O	—	—	SPI1_NPCS0	I/O	—	—	—	—	PIO, I, PU, ST
H9	VDDIOP0	GPIO	PC26	I/O	—	—	SPI1_NPCS1	O	TWD1	I/O	ISI_D11	I	PIO, I, PU, ST
D4	VDDIOP0	GPIO	PC27	I/O	—	—	SPI1_NPCS2	O	TWCK1	O	ISI_D10	I	PIO, I, PU, ST
H8	VDDIOP0	GPIO	PC28	I/O	—	—	SPI1_NPCS3	O	PWMF10	I	ISI_D9	I	PIO, I, PU, ST
G5	VDDIOP0	GPIO	PC29	I/O	—	—	URXD0	I	PWMF12	I	ISI_D8	I	PIO, I, PU, ST
D3	VDDIOP0	GPIO	PC30	I/O	—	—	UTXD0	O	—	—	ISI_PCK	O	PIO, I, PU, ST
E4	VDDIOP0	GPIO	PC31	I/O	—	—	FIQ	I	PWMF11	I	—	—	PIO, I, PU, ST
K5	VDDIOP1	GPIO	PD0	I/O	—	—	MCI0_CDA	I/O	—	—	—	—	PIO, I, PU, ST
P1	VDDIOP1	GPIO	PD1	I/O	—	—	MCI0_DA0	I/O	—	—	—	—	PIO, I, PU, ST
K6	VDDIOP1	GPIO	PD2	I/O	—	—	MCI0_DA1	I/O	—	—	—	—	PIO, I, PU, ST
R1	VDDIOP1	GPIO	PD3	I/O	—	—	MCI0_DA2	I/O	—	—	—	—	PIO, I, PU, ST
L7	VDDIOP1	GPIO	PD4	I/O	—	—	MCI0_DA3	I/O	—	—	—	—	PIO, I, PU, ST
P2	VDDIOP1	GPIO	PD5	I/O	—	—	MCI0_DA4	I/O	TIOA0	I/O	PWMH2	O	PIO, I, PU, ST
L8	VDDIOP1	GPIO	PD6	I/O	—	—	MCI0_DA5	I/O	TIOB0	I/O	PWML2	O	PIO, I, PU, ST
R2	VDDIOP1	GPIO	PD7	I/O	—	—	MCI0_DA6	I/O	TCLK0	I	PWMH3	O	PIO, I, PU, ST
K7	VDDIOP1	GPIO	PD8	I/O	—	—	MCI0_DA7	I/O	—	—	PWML3	O	PIO, I, PU, ST
U2	VDDIOP1	MCI_CLK	PD9	I/O	—	—	MCI0_CK	I/O	—	—	—	—	PIO, I, PU, ST
K9	VDDIOP1	GPIO	PD10	I/O	—	—	SPI0_MISO	I/O	—	—	—	—	PIO, I, PU, ST
M5	VDDIOP1	GPIO	PD11	I/O	—	—	SPI0_MOSI	I/O	—	—	—	—	PIO, I, PU, ST
K10	VDDIOP1	GPIO_CLK	PD12	I/O	—	—	SPI0_SPCK	I/O	—	—	—	—	PIO, I, PU, ST
N4	VDDIOP1	GPIO	PD13	I/O	—	—	SPI0_NPCS0	I/O	—	—	—	—	PIO, I, PU, ST
L9	VDDIOP1	GPIO	PD14	I/O	—	—	SCK0	I/O	SPI0_NPCS1	O	CANRX0	I	PIO, I, PU, ST
N3	VDDIOP1	GPIO	PD15	I/O	—	—	CTS0	I	SPI0_NPCS2	O	CANTX0	O	PIO, I, PU, ST
L10	VDDIOP1	GPIO	PD16	I/O	—	—	RTS0	O	SPI0_NPCS3	O	PWMF13	I	PIO, I, PU, ST
N5	VDDIOP1	GPIO	PD17	I/O	—	—	RXD0	I	—	—	—	—	PIO, I, PU, ST
M6	VDDIOP1	GPIO	PD18	I/O	—	—	TXD0	O	—	—	—	—	PIO, I, PU, ST
T1	VDDIOP1	GPIO	PD19	I/O	—	—	ADTRG	I	—	—	—	—	PIO, I, PU, ST
N2	VDDANA	GPIO_ANA	PD20	I/O	—	—	AD0	I	—	—	—	—	PIO, I, PU, ST
M3	VDDANA	GPIO_ANA	PD21	I/O	—	—	AD1	I	—	—	—	—	PIO, I, PU, ST
M2	VDDANA	GPIO_ANA	PD22	I/O	—	—	AD2	I	—	—	—	—	PIO, I, PU, ST
L3	VDDANA	GPIO_ANA	PD23	I/O	—	—	AD3	I	—	—	—	—	PIO, I, PU, ST
M1	VDDANA	GPIO_ANA	PD24	I/O	—	—	AD4	I	—	—	—	—	PIO, I, PU, ST
N1	VDDANA	GPIO_ANA	PD25	I/O	—	—	AD5	I	—	—	—	—	PIO, I, PU, ST
L1	VDDANA	GPIO_ANA	PD26	I/O	—	—	AD6	I	—	—	—	—	PIO, I, PU, ST
L2	VDDANA	GPIO_ANA	PD27	I/O	—	—	AD7	I	—	—	—	—	PIO, I, PU, ST

SAMA5D3 SERIES

Table 3-1: SAMA5D3 Pinout for 324-ball LFBGA Package (Continued)

Pin	Power Rail	I/O Type	Primary		Alternate		PIO Peripheral A		PIO Peripheral B		PIO Peripheral C		Reset State ⁽¹⁾
			Signal	Dir	Signal	Dir	Signal	Dir	Signal	Dir	Signal	Dir	Signal, Dir, PU, PD, HIZ, ST
K1	VDDANA	GPIO_ANA	PD28	I/O	—	—	AD8	I	—	—	—	—	PIO, I, PU, ST
K2	VDDANA	GPIO_ANA	PD29	I/O	—	—	AD9	I	—	—	—	—	PIO, I, PU, ST
J1	VDDANA	GPIO_ANA	PD30	I/O	—	—	AD10	I	PCK0	O	—	—	PIO, I, PU, ST
J2	VDDANA	GPIO_ANA	PD31	I/O	—	—	AD11	I	PCK1	O	—	—	PIO, I, PU, ST
P13	VDDIOM	EBI	PE0	I/O	—	—	A0/NBS0	O	—	—	—	—	A,I, PD, ST
R14	VDDIOM	EBI	PE1	I/O	—	—	A1	O	—	—	—	—	A,I, PD, ST
R13	VDDIOM	EBI	PE2	I/O	—	—	A2	O	—	—	—	—	A,I, PD, ST
V18	VDDIOM	EBI	PE3	I/O	—	—	A3	O	—	—	—	—	A,I, PD, ST
P14	VDDIOM	EBI	PE4	I/O	—	—	A4	O	—	—	—	—	A,I, PD, ST
U18	VDDIOM	EBI	PE5	I/O	—	—	A5	O	—	—	—	—	A,I, PD, ST
T18	VDDIOM	EBI	PE6	I/O	—	—	A6	O	—	—	—	—	A,I, PD, ST
R15	VDDIOM	EBI	PE7	I/O	—	—	A7	O	—	—	—	—	A,I, PD, ST
P17	VDDIOM	EBI	PE8	I/O	—	—	A8	O	—	—	—	—	A,I, PD, ST
P15	VDDIOM	EBI	PE9	I/O	—	—	A9	O	—	—	—	—	A,I, PD, ST
P18	VDDIOM	EBI	PE10	I/O	—	—	A10	O	—	—	—	—	A,I, PD, ST
R16	VDDIOM	EBI	PE11	I/O	—	—	A11	O	—	—	—	—	A,I, PD, ST
N16	VDDIOM	EBI	PE12	I/O	—	—	A12	O	—	—	—	—	A,I, PD, ST
R17	VDDIOM	EBI	PE13	I/O	—	—	A13	O	—	—	—	—	A,I, PD, ST
N17	VDDIOM	EBI	PE14	I/O	—	—	A14	O	—	—	—	—	A,I, PD, ST
R18	VDDIOM	EBI	PE15	I/O	—	—	A15	O	SCK3	I/O	—	—	A,I, PD, ST
N18	VDDIOM	EBI	PE16	I/O	—	—	A16	O	CTS3	I	—	—	A,I, PD, ST
P16	VDDIOM	EBI	PE17	I/O	—	—	A17	O	RTS3	O	—	—	A,I, PD, ST
M18	VDDIOM	EBI	PE18	I/O	—	—	A18	O	RXD3	I	—	—	A,I, PD, ST
N15	VDDIOM	EBI	PE19	I/O	—	—	A19	O	TXD3	O	—	—	A,I, PD, ST
M15	VDDIOM	EBI	PE20	I/O	—	—	A20	O	SCK2	I/O	—	—	A,I, PD, ST
N14	VDDIOM	EBI	PE21	I/O	—	—	A21/NANDALE	O	—	—	—	—	A,I, PD, ST
M17	VDDIOM	EBI	PE22	I/O	—	—	A22/NANDCLE	O	—	—	—	—	A,I, PD, ST
M13	VDDIOM	EBI	PE23	I/O	—	—	A23	O	CTS2	I	—	—	A,I, PD, ST
M16	VDDIOM	EBI	PE24	I/O	—	—	A24	O	RTS2	O	—	—	A,I, PD, ST
N12	VDDIOM	EBI	PE25	I/O	—	—	A25	O	RXD2	I	—	—	A,I, PD, ST
M14	VDDIOM	EBI	PE26	I/O	—	—	NCS0	O	TXD2	O	—	—	PIO,O, PU, ST
M12	VDDIOM	EBI	PE27	I/O	—	—	NCS1	O	TIOA2	I/O	LCDDAT22	O	PIO,I, PU, ST
L13	VDDIOM	EBI	PE28	I/O	—	—	NCS2	O	TIOB2	I/O	LCDDAT23	O	PIO,I, PU, ST
L15	VDDIOM	EBI	PE29	I/O	—	—	NWR1/NBS1	O	TCLK2	I	—	—	PIO,I, PU, ST
L14	VDDIOM	EBI	PE30	I/O	—	—	NWAIT	I	—	—	—	—	PIO,I, PU, ST
L16	VDDIOM	EBI	PE31	I/O	—	—	IRQ	I	PWML1	O	—	—	PIO,I, PU, ST
U15	VDDBU	SYSC	TST	I	—	—	—	—	—	—	—	—	I, PD,
U9	VDDIOP0	SYSC	BMS	I	—	—	—	—	—	—	—	—	I
U8	VDDIOP0	CLOCK	XIN	I	—	—	—	—	—	—	—	—	I
V8	VDDIOP0	CLOCK	XOUT	O	—	—	—	—	—	—	—	—	O
U16	VDDBU	CLOCK	XIN32	I	—	—	—	—	—	—	—	—	I
V16	VDDBU	CLOCK	XOUT32	O	—	—	—	—	—	—	—	—	O

Table 3-1: SAMA5D3 Pinout for 324-ball LFBGA Package (Continued)

Pin	Power Rail	I/O Type	Primary		Alternate		PIO Peripheral A		PIO Peripheral B		PIO Peripheral C		Reset State ⁽¹⁾
			Signal	Dir	Signal	Dir	Signal	Dir	Signal	Dir	Signal	Dir	Signal, Dir, PU, PD, HIZ, ST
T12	VDDBU	SYSC	SHDN	O	—	—	—	—	—	—	—	—	O
T10	VDDBU	SYSC	WKUP	I	—	—	—	—	—	—	—	—	I, ST
V9	VDDIOP0	RSTJTAG	NRST	I/O	—	—	—	—	—	—	—	—	I, PU, ST
P11	VDDIOP0	RSTJTAG	NTRST	I	—	—	—	—	—	—	—	—	I, PU, ST
R8	VDDIOP0	RSTJTAG	TDI	I	—	—	—	—	—	—	—	—	I, ST
M11	VDDIOP0	RSTJTAG	TDO	O	—	—	—	—	—	—	—	—	O
N10	VDDIOP0	RSTJTAG	TMS	I	SWDIO	I/O	—	—	—	—	—	—	I, ST
P9	VDDIOP0	RSTJTAG	TCK	I	SWCLK	I	—	—	—	—	—	—	I, ST
T9	VDDBU	SYSC	JTAGSEL	I	—	—	—	—	—	—	—	—	I, PD
V6	VDDIOP0	DIB	DIBP	O	—	—	—	—	—	—	—	—	O, PU
U6	VDDIOP0	DIB	DIBN	O	—	—	—	—	—	—	—	—	O, PU
K12	VDDIOM	EBI	D0	I/O	—	—	—	—	—	—	—	—	I, PD
K15	VDDIOM	EBI	D1	I/O	—	—	—	—	—	—	—	—	I, PD
K14	VDDIOM	EBI	D2	I/O	—	—	—	—	—	—	—	—	I, PD
K16	VDDIOM	EBI	D3	I/O	—	—	—	—	—	—	—	—	I, PD
K13	VDDIOM	EBI	D4	I/O	—	—	—	—	—	—	—	—	I, PD
K17	VDDIOM	EBI	D5	I/O	—	—	—	—	—	—	—	—	I, PD
J12	VDDIOM	EBI	D6	I/O	—	—	—	—	—	—	—	—	I, PD
K18	VDDIOM	EBI	D7	I/O	—	—	—	—	—	—	—	—	I, PD
J14	VDDIOM	EBI	D8	I/O	—	—	—	—	—	—	—	—	I, PD
J16	VDDIOM	EBI	D9	I/O	—	—	—	—	—	—	—	—	I, PD
J13	VDDIOM	EBI	D10	I/O	—	—	—	—	—	—	—	—	I, PD
J17	VDDIOM	EBI	D11	I/O	—	—	—	—	—	—	—	—	I, PD
J15	VDDIOM	EBI	D12	I/O	—	—	—	—	—	—	—	—	I, PD
J18	VDDIOM	EBI	D13	I/O	—	—	—	—	—	—	—	—	I, PD
H16	VDDIOM	EBI	D14	I/O	—	—	—	—	—	—	—	—	I, PD
H18	VDDIOM	EBI	D15	I/O	—	—	—	—	—	—	—	—	I, PD
L12	VDDIOM	EBI	NCS3/NANDCS	O	—	—	—	—	—	—	—	—	O, PU
L18	VDDIOM	EBI	NANDRDY	I	—	—	—	—	—	—	—	—	I, PU
L17	VDDIOM	EBI	NRD/NANDOE	O	—	—	—	—	—	—	—	—	O, PU
K11	VDDIOM	EBI	NWE/NANDWE	O	—	—	—	—	—	—	—	—	O, PU
C13	VDDIODDR	Reference voltage	DDR_VREF	I	—	—	—	—	—	—	—	—	I
B10	VDDIODDR	DDR_IO	DDR_A0	O	—	—	—	—	—	—	—	—	O
C11	VDDIODDR	DDR_IO	DDR_A1	O	—	—	—	—	—	—	—	—	O
A9	VDDIODDR	DDR_IO	DDR_A2	O	—	—	—	—	—	—	—	—	O
D11	VDDIODDR	DDR_IO	DDR_A3	O	—	—	—	—	—	—	—	—	O
B9	VDDIODDR	DDR_IO	DDR_A4	O	—	—	—	—	—	—	—	—	O
E10	VDDIODDR	DDR_IO	DDR_A5	O	—	—	—	—	—	—	—	—	O
D10	VDDIODDR	DDR_IO	DDR_A6	O	—	—	—	—	—	—	—	—	O
A8	VDDIODDR	DDR_IO	DDR_A7	O	—	—	—	—	—	—	—	—	O
C10	VDDIODDR	DDR_IO	DDR_A8	O	—	—	—	—	—	—	—	—	O
B8	VDDIODDR	DDR_IO	DDR_A9	O	—	—	—	—	—	—	—	—	O

SAMA5D3 SERIES

Table 3-1: SAMA5D3 Pinout for 324-ball LFBGA Package (Continued)

Pin	Power Rail	I/O Type	Primary		Alternate		PIO Peripheral A		PIO Peripheral B		PIO Peripheral C		Reset State ⁽¹⁾
			Signal	Dir	Signal	Dir	Signal	Dir	Signal	Dir	Signal	Dir	Signal, Dir, PU, PD, HiZ, ST
F11	VDDIODDR	DDR_IO	DDR_A10	O	—	—	—	—	—	—	—	—	O
A7	VDDIODDR	DDR_IO	DDR_A11	O	—	—	—	—	—	—	—	—	O
D9	VDDIODDR	DDR_IO	DDR_A12	O	—	—	—	—	—	—	—	—	O
A6	VDDIODDR	DDR_IO	DDR_A13	O	—	—	—	—	—	—	—	—	O
H12	VDDIODDR	DDR_IO	DDR_D0	I/O	—	—	—	—	—	—	—	—	HiZ
H17	VDDIODDR	DDR_IO	DDR_D1	I/O	—	—	—	—	—	—	—	—	HiZ
H13	VDDIODDR	DDR_IO	DDR_D2	I/O	—	—	—	—	—	—	—	—	HiZ
G17	VDDIODDR	DDR_IO	DDR_D3	I/O	—	—	—	—	—	—	—	—	HiZ
G16	VDDIODDR	DDR_IO	DDR_D4	I/O	—	—	—	—	—	—	—	—	HiZ
H15	VDDIODDR	DDR_IO	DDR_D5	I/O	—	—	—	—	—	—	—	—	HiZ
F17	VDDIODDR	DDR_IO	DDR_D6	I/O	—	—	—	—	—	—	—	—	HiZ
G15	VDDIODDR	DDR_IO	DDR_D7	I/O	—	—	—	—	—	—	—	—	HiZ
F16	VDDIODDR	DDR_IO	DDR_D8	I/O	—	—	—	—	—	—	—	—	HiZ
E17	VDDIODDR	DDR_IO	DDR_D9	I/O	—	—	—	—	—	—	—	—	HiZ
G14	VDDIODDR	DDR_IO	DDR_D10	I/O	—	—	—	—	—	—	—	—	HiZ
E16	VDDIODDR	DDR_IO	DDR_D11	I/O	—	—	—	—	—	—	—	—	HiZ
D17	VDDIODDR	DDR_IO	DDR_D12	I/O	—	—	—	—	—	—	—	—	HiZ
C18	VDDIODDR	DDR_IO	DDR_D13	I/O	—	—	—	—	—	—	—	—	HiZ
D16	VDDIODDR	DDR_IO	DDR_D14	I/O	—	—	—	—	—	—	—	—	HiZ
C17	VDDIODDR	DDR_IO	DDR_D15	I/O	—	—	—	—	—	—	—	—	HiZ
B16	VDDIODDR	DDR_IO	DDR_D16	I/O	—	—	—	—	—	—	—	—	HiZ
B18	VDDIODDR	DDR_IO	DDR_D17	I/O	—	—	—	—	—	—	—	—	HiZ
C15	VDDIODDR	DDR_IO	DDR_D18	I/O	—	—	—	—	—	—	—	—	HiZ
A18	VDDIODDR	DDR_IO	DDR_D19	I/O	—	—	—	—	—	—	—	—	HiZ
C16	VDDIODDR	DDR_IO	DDR_D20	I/O	—	—	—	—	—	—	—	—	HiZ
C14	VDDIODDR	DDR_IO	DDR_D21	I/O	—	—	—	—	—	—	—	—	HiZ
D15	VDDIODDR	DDR_IO	DDR_D22	I/O	—	—	—	—	—	—	—	—	HiZ
B14	VDDIODDR	DDR_IO	DDR_D23	I/O	—	—	—	—	—	—	—	—	HiZ
A15	VDDIODDR	DDR_IO	DDR_D24	I/O	—	—	—	—	—	—	—	—	HiZ
A14	VDDIODDR	DDR_IO	DDR_D25	I/O	—	—	—	—	—	—	—	—	HiZ
E12	VDDIODDR	DDR_IO	DDR_D26	I/O	—	—	—	—	—	—	—	—	HiZ
A11	VDDIODDR	DDR_IO	DDR_D27	I/O	—	—	—	—	—	—	—	—	HiZ
B11	VDDIODDR	DDR_IO	DDR_D28	I/O	—	—	—	—	—	—	—	—	HiZ
F12	VDDIODDR	DDR_IO	DDR_D29	I/O	—	—	—	—	—	—	—	—	HiZ
A10	VDDIODDR	DDR_IO	DDR_D30	I/O	—	—	—	—	—	—	—	—	HiZ
E11	VDDIODDR	DDR_IO	DDR_D31	I/O	—	—	—	—	—	—	—	—	HiZ
G12	VDDIODDR	DDR_IO	DDR_DQM0	O	—	—	—	—	—	—	—	—	O
E15	VDDIODDR	DDR_IO	DDR_DQM1	O	—	—	—	—	—	—	—	—	O
B15	VDDIODDR	DDR_IO	DDR_DQM2	O	—	—	—	—	—	—	—	—	O
D12	VDDIODDR	DDR_IO	DDR_DQM3	O	—	—	—	—	—	—	—	—	O
E18	VDDIODDR	DDR_IO	DDR_DQS0	I/O	—	—	—	—	—	—	—	—	I, PD
G18	VDDIODDR	DDR_IO	DDR_DQS1	I/O	—	—	—	—	—	—	—	—	I, PD

Table 3-1: SAMA5D3 Pinout for 324-ball LFBGA Package (Continued)

Pin	Power Rail	I/O Type	Primary		Alternate		PIO Peripheral A		PIO Peripheral B		PIO Peripheral C		Reset State ⁽¹⁾
			Signal	Dir	Signal	Dir	Signal	Dir	Signal	Dir	Signal	Dir	Signal, Dir, PU, PD, HIZ, ST
B17	VDDIODDR	DDR_IO	DDR_DQS2	I/O	—	—	—	—	—	—	—	—	I, PD
B13	VDDIODDR	DDR_IO	DDR_DQS3	I/O	—	—	—	—	—	—	—	—	I, PD
D18	VDDIODDR	DDR_IO	DDR_DQSN0	I/O	—	—	—	—	—	—	—	—	I, PU
F18	VDDIODDR	DDR_IO	DDR_DQSN1	I/O	—	—	—	—	—	—	—	—	I, PU
A17	VDDIODDR	DDR_IO	DDR_DQSN2	I/O	—	—	—	—	—	—	—	—	I, PU
A13	VDDIODDR	DDR_IO	DDR_DQSN3	I/O	—	—	—	—	—	—	—	—	I, PU
C8	VDDIODDR	DDR_IO	DDR_CS	O	—	—	—	—	—	—	—	—	O
B12	VDDIODDR	DDR_IO	DDR_CLK	O	—	—	—	—	—	—	—	—	O
A12	VDDIODDR	DDR_IO	DDR_CLKN	O	—	—	—	—	—	—	—	—	O
B7	VDDIODDR	DDR_IO	DDR_CKE	O	—	—	—	—	—	—	—	—	O
C12	VDDIODDR	DDR_IO	DDR_CALN	I	—	—	—	—	—	—	—	—	O
E13	VDDIODDR	DDR_IO	DDR_CALP	I	—	—	—	—	—	—	—	—	O
G11	VDDIODDR	DDR_IO	DDR_RAS	O	—	—	—	—	—	—	—	—	O
A5	VDDIODDR	DDR_IO	DDR_CAS	O	—	—	—	—	—	—	—	—	O
B5	VDDIODDR	DDR_IO	DDR_WE	O	—	—	—	—	—	—	—	—	O
E9	VDDIODDR	DDR_IO	DDR_BA0	O	—	—	—	—	—	—	—	—	O
B6	VDDIODDR	DDR_IO	DDR_BA1	O	—	—	—	—	—	—	—	—	O
F9	VDDIODDR	DDR_IO	DDR_BA2	O	—	—	—	—	—	—	—	—	O
R11	VBG	VBG	VBG	I	—	—	—	—	—	—	—	—	I
U14	VDDUTMII	USBHS	HHSDPC	I/O	—	—	—	—	—	—	—	—	O, PD
V14	VDDUTMII	USBHS	HHSDMC	I/O	—	—	—	—	—	—	—	—	O, PD
U12	VDDUTMII	USBHS	HHSDPB	I/O	—	—	—	—	—	—	—	—	O, PD
V12	VDDUTMII	USBHS	HHSDMB	I/O	—	—	—	—	—	—	—	—	O, PD
U10	VDDUTMII	USBHS	HHSDPA	I/O	DHSDP	—	—	—	—	—	—	—	O, PD
V10	VDDUTMII	USBHS	HHSDMA	I/O	DHSDM	—	—	—	—	—	—	—	O, PD
V15	VDDBU	power supply	VDDBU	I	—	—	—	—	—	—	—	—	I
T13	GNDDBU	ground	GNDDBU	I	—	—	—	—	—	—	—	—	I
C5, C7, D14, T15, T7, U17, V7	VDDCORE	power supply	VDDCORE	I	—	—	—	—	—	—	—	—	I
A16, C9, N13, T14, T8, V17	GNDCORE	ground	GNDCORE	I	—	—	—	—	—	—	—	—	I
D13, F14, G10, G13, H11	VDDIODDR	power supply	VDDIODDR	I	—	—	—	—	—	—	—	—	I
E14, F10, F13, F15, H14	GNDIODDR	ground	GNDIODDR	I	—	—	—	—	—	—	—	—	I
P12, T16	VDDIOM	power supply	VDDIOM	I	—	—	—	—	—	—	—	—	I

SAMA5D3 SERIES

Table 3-1: SAMA5D3 Pinout for 324-ball LFBGA Package (Continued)

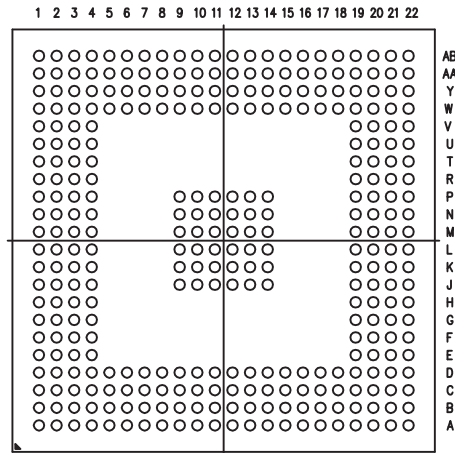
Pin	Power Rail	I/O Type	Primary		Alternate		PIO Peripheral A		PIO Peripheral B		PIO Peripheral C		Reset State ⁽¹⁾
			Signal	Dir	Signal	Dir	Signal	Dir	Signal	Dir	Signal	Dir	Signal, Dir, PU, PD, HIZ, ST
J11, T17	GNDIOM	ground	GNDIOM	I	—	—	—	—	—	—	—	—	I
G7, V11	VDDIOP0	power supply	VDDIOP0	I	—	—	—	—	—	—	—	—	I
L11, M4	VDDIOP1	power supply	VDDIOP1	I	—	—	—	—	—	—	—	—	I
E5, J7, N11, U7	GNDIOP	Ground	GNDIOP	I	—	—	—	—	—	—	—	—	I
V13	VDDUTMIC	Power supply	VDDUTMIC	I	—	—	—	—	—	—	—	—	I
U13	VDDUTMII	Power supply	VDDUTMII	I	—	—	—	—	—	—	—	—	I
R12	GNDUTMI	Ground	GNDUTMI	I	—	—	—	—	—	—	—	—	I
R10	VDDPLLA	Power supply	VDDPLLA	I	—	—	—	—	—	—	—	—	I
P10	GNDPLL	Ground	GNDPLL	I	—	—	—	—	—	—	—	—	I
U11	VDDOSC	Power supply	VDDOSC	I	—	—	—	—	—	—	—	—	I
T11	GNDOSC	Ground	GNDOSC	I	—	—	—	—	—	—	—	—	I
L6	VDDANA	Power supply	VDDANA	I	—	—	—	—	—	—	—	—	I
L4	GNDANA	Ground	GNDANA	I	—	—	—	—	—	—	—	—	I
L5	VDDANA	Power supply	ADVREF	I	—	—	—	—	—	—	—	—	I
R3	VDDFUSE	Power supply	VDDFUSE	I	—	—	—	—	—	—	—	—	I
P4	GNDFUSE	Ground	GNDFUSE	I	—	—	—	—	—	—	—	—	I

Note 1: The reset state of the GPIOs is not ensured during power-up phase. During this phase, the GPIOs are in Input Pull-Up mode and they take their reset value only after VDDCORE POR reset has been released. If a GPIO must be at level zero at power-up, it is recommended to connect an external pull-down to ensure this state.

3.3 324-ball TFBGA Package (12 x 12 x 1.2 mm, pitch 0.5 mm)

Figure 3-2 shows the ball map of the 324-ball TFBGA package.

Figure 3-2: 324-ball TFBGA Ball Map



BOTTOM VIEW

3.4 324-ball TFBGA Package Pinout

Table 3-2: SAMA5D3 Pinout for 324-ball TFBGA Package

Pin	Power Rail	I/O Type	Primary		Alternate		PIO Peripheral A		PIO Peripheral B		PIO Peripheral C		Reset State ⁽¹⁾
			Signal	Dir	Signal	Dir	Signal	Dir	Signal	Dir	Signal	Dir	Signal, Dir, PU, PD, HiZ, ST
D2	VDDIOP0	GPIO	PA0	I/O	—	—	LCDDAT0	O	—	—	—	—	PIO, I, PU, ST
G4	VDDIOP0	GPIO	PA1	I/O	—	—	LCDDAT1	O	—	—	—	—	PIO, I, PU, ST
C2	VDDIOP0	GPIO	PA2	I/O	—	—	LCDDAT2	O	—	—	—	—	PIO, I, PU, ST
F3	VDDIOP0	GPIO	PA3	I/O	—	—	LCDDAT3	O	—	—	—	—	PIO, I, PU, ST
F2	VDDIOP0	GPIO	PA4	I/O	—	—	LCDDAT4	O	—	—	—	—	PIO, I, PU, ST
G3	VDDIOP0	GPIO	PA5	I/O	—	—	LCDDAT5	O	—	—	—	—	PIO, I, PU, ST
B1	VDDIOP0	GPIO	PA6	I/O	—	—	LCDDAT6	O	—	—	—	—	PIO, I, PU, ST
G2	VDDIOP0	GPIO	PA7	I/O	—	—	LCDDAT7	O	—	—	—	—	PIO, I, PU, ST
C1	VDDIOP0	GPIO	PA8	I/O	—	—	LCDDAT8	O	—	—	—	—	PIO, I, PU, ST
H3	VDDIOP0	GPIO	PA9	I/O	—	—	LCDDAT9	O	—	—	—	—	PIO, I, PU, ST
D1	VDDIOP0	GPIO	PA10	I/O	—	—	LCDDAT10	O	—	—	—	—	PIO, I, PU, ST
H4	VDDIOP0	GPIO	PA11	I/O	—	—	LCDDAT11	O	—	—	—	—	PIO, I, PU, ST
E2	VDDIOP0	GPIO	PA12	I/O	—	—	LCDDAT12	O	—	—	—	—	PIO, I, PU, ST
K9	VDDIOP0	GPIO	PA13	I/O	—	—	LCDDAT13	O	—	—	—	—	PIO, I, PU, ST
H2	VDDIOP0	GPIO	PA14	I/O	—	—	LCDDAT14	O	—	—	—	—	PIO, I, PU, ST
K4	VDDIOP0	GPIO	PA15	I/O	—	—	LCDDAT15	O	—	—	—	—	PIO, I, PU, ST
G1	VDDIOP0	GPIO	PA16	I/O	—	—	LCDDAT16	O	—	—	ISL_D0	I	PIO, I, PU, ST
K10	VDDIOP0	GPIO	PA17	I/O	—	—	LCDDAT17	O	—	—	ISL_D1	I	PIO, I, PU, ST
F1	VDDIOP0	GPIO	PA18	I/O	—	—	LCDDAT18	O	TWD2	I/O	ISL_D2	I	PIO, I, PU, ST
J4	VDDIOP0	GPIO	PA19	I/O	—	—	LCDDAT19	O	TWCK2	O	ISL_D3	I	PIO, I, PU, ST
J3	VDDIOP0	GPIO	PA20	I/O	—	—	LCDDAT20	O	PWMH0	O	ISL_D4	I	PIO, I, PU, ST
K2	VDDIOP0	GPIO	PA21	I/O	—	—	LCDDAT21	O	PWML0	O	ISL_D5	I	PIO, I, PU, ST

SAMA5D3 SERIES

Table 3-2: SAMA5D3 Pinout for 324-ball TFBGA Package (Continued)

Pin	Power Rail	I/O Type	Primary		Alternate		PIO Peripheral A		PIO Peripheral B		PIO Peripheral C		Reset State ⁽¹⁾
			Signal	Dir	Signal	Dir	Signal	Dir	Signal	Dir	Signal	Dir	Signal, Dir, PU, PD, HiZ, ST
J2	VDDIOP0	GPIO	PA22	I/O	—	—	LCDDAT22	O	PWMH1	O	ISL_D6	I	PIO, I, PU, ST
L9	VDDIOP0	GPIO	PA23	I/O	—	—	LCDDAT23	O	PWML1	O	ISL_D7	I	PIO, I, PU, ST
H1	VDDIOP0	GPIO	PA24	I/O	—	—	LCDPWM	O	—	—	—	—	PIO, I, PU, ST
K3	VDDIOP0	GPIO	PA25	I/O	—	—	LCDDISP	O	—	—	—	—	PIO, I, PU, ST
J1	VDDIOP0	GPIO	PA26	I/O	—	—	LCDVSYNC	O	—	—	—	—	PIO, I, PU, ST
L10	VDDIOP0	GPIO	PA27	I/O	—	—	LCDHSYNC	O	—	—	—	—	PIO, I, PU, ST
K1	VDDIOP0	GPIO_CLK2	PA28	I/O	—	—	LCDPCK	O	—	—	—	—	PIO, I, PU, ST
L3	VDDIOP0	GPIO	PA29	I/O	—	—	LCDDEN	O	—	—	—	—	PIO, I, PU, ST
L2	VDDIOP0	GPIO	PA30	I/O	—	—	TWD0	I/O	URXD1	I	ISL_VSYNC	I	PIO, I, PU, ST
L4	VDDIOP0	GPIO	PA31	I/O	—	—	TWCK0	O	UTXD1	O	ISL_HSYNC	I	PIO, I, PU, ST
AA1	VDDIOP1	GMAC	PB0	I/O	—	—	GTX0	O	PWMH0	O	—	—	PIO, I, PU, ST
W3	VDDIOP1	GMAC	PB1	I/O	—	—	GTX1	O	PWML0	O	—	—	PIO, I, PU, ST
Y2	VDDIOP1	GMAC	PB2	I/O	—	—	GTX2	O	TK1	I/O	—	—	PIO, I, PU, ST
Y3	VDDIOP1	GMAC	PB3	I/O	—	—	GTX3	O	TF1	I/O	—	—	PIO, I, PU, ST
AA2	VDDIOP1	GMAC	PB4	I/O	—	—	GRX0	I	PWMH1	O	—	—	PIO, I, PU, ST
W5	VDDIOP1	GMAC	PB5	I/O	—	—	GRX1	I	PWML1	O	—	—	PIO, I, PU, ST
W7	VDDIOP1	GMAC	PB6	I/O	—	—	GRX2	I	TD1	O	—	—	PIO, I, PU, ST
AB2	VDDIOP1	GMAC	PB7	I/O	—	—	GRX3	I	RK1	I	—	—	PIO, I, PU, ST
AB1	VDDIOP1	GMAC	PB8	I/O	—	—	GTXCK	O	PWMH2	O	—	—	PIO, I, PU, ST
AA3	VDDIOP1	GMAC	PB9	I/O	—	—	GTXEN	O	PWML2	O	—	—	PIO, I, PU, ST
W6	VDDIOP1	GMAC	PB10	I/O	—	—	GTXER	O	RF1	I/O	—	—	PIO, I, PU, ST
AB3	VDDIOP1	GMAC	PB11	I/O	—	—	GRXCK	I	RD1	I	—	—	PIO, I, PU, ST
Y5	VDDIOP1	GMAC	PB12	I/O	—	—	GRXDV	I	PWMH3	O	—	—	PIO, I, PU, ST
Y4	VDDIOP1	GMAC	PB13	I/O	—	—	GRXER	I	PWML3	O	—	—	PIO, I, PU, ST
W8	VDDIOP1	GMAC	PB14	I/O	—	—	GCRS	I	CANRX1	I	—	—	PIO, I, PU, ST
AA5	VDDIOP1	GMAC	PB15	I/O	—	—	GCOL	I	CANTX1	O	—	—	PIO, I, PU, ST
AA4	VDDIOP1	GMAC	PB16	I/O	—	—	GMDC	O	—	—	—	—	PIO, I, PU, ST
Y7	VDDIOP1	GMAC	PB17	I/O	—	—	GMDIO	I/O	—	—	—	—	PIO, I, PU, ST
AB4	VDDIOP1	GMAC	PB18	I/O	—	—	G125CK	I	—	—	—	—	PIO, I, PU, ST
Y6	VDDIOP1	GMAC	PB19	I/O	—	—	MCH1_CDA	I/O	GTX4	O	—	—	PIO, I, PU, ST
Y8	VDDIOP1	GMAC	PB20	I/O	—	—	MCH1_DA0	I/O	GTX5	O	—	—	PIO, I, PU, ST
AA6	VDDIOP1	GMAC	PB21	I/O	—	—	MCH1_DA1	I/O	GTX6	O	—	—	PIO, I, PU, ST
W9	VDDIOP1	GMAC	PB22	I/O	—	—	MCH1_DA2	I/O	GTX7	O	—	—	PIO, I, PU, ST
AB6	VDDIOP1	GMAC	PB23	I/O	—	—	MCH1_DA3	I/O	GRX4	I	—	—	PIO, I, PU, ST
AB5	VDDIOP1	GMAC	PB24	I/O	—	—	MCH1_CK	I/O	GRX5	I	—	—	PIO, I, PU, ST
AB7	VDDIOP1	GMAC	PB25	I/O	—	—	SCK1	I/O	GRX6	I	—	—	PIO, I, PU, ST
AA7	VDDIOP1	GMAC	PB26	I/O	—	—	CTS1	I	GRX7	I	—	—	PIO, I, PU, ST
AB8	VDDIOP1	GPIO	PB27	I/O	—	—	RTS1	O	G125CKO	O	—	—	PIO, I, PU, ST
AA8	VDDIOP1	GPIO	PB28	I/O	—	—	RXD1	I	—	—	—	—	PIO, I, PU, ST
Y9	VDDIOP1	GPIO	PB29	I/O	—	—	TXD1	O	—	—	—	—	PIO, I, PU, ST
W10	VDDIOP0	GPIO	PB30	I/O	—	—	DRXD	I	—	—	—	—	PIO, I, PU, ST
Y12	VDDIOP0	GPIO	PB31	I/O	—	—	DTXD	O	—	—	—	—	PIO, I, PU, ST
D10	VDDIOP0	GPIO	PC0	I/O	—	—	ETX0	O	TIOA3	I/O	—	—	PIO, I, PU, ST

Table 3-2: SAMA5D3 Pinout for 324-ball TFBGA Package (Continued)

Pin	Power Rail	I/O Type	Primary		Alternate		PIO Peripheral A		PIO Peripheral B		PIO Peripheral C		Reset State ⁽¹⁾
			Signal	Dir	Signal	Dir	Signal	Dir	Signal	Dir	Signal	Dir	Signal, Dir, PU, PD, HiZ, ST
B8	VDDIOP0	GPIO	PC1	I/O	—	—	ETX1	O	TIOB3	I/O	—	—	PIO, I, PU, ST
D9	VDDIOP0	GPIO	PC2	I/O	—	—	ERX0	I	TCLK3	I	—	—	PIO, I, PU, ST
C8	VDDIOP0	GPIO	PC3	I/O	—	—	ERX1	I	TIOA4	I/O	—	—	PIO, I, PU, ST
B7	VDDIOP0	GPIO	PC4	I/O	—	—	ETXEN	O	TIOB4	I/O	—	—	PIO, I, PU, ST
D8	VDDIOP0	GPIO	PC5	I/O	—	—	ECRSDV	I	TCLK4	I	—	—	PIO, I, PU, ST
A6	VDDIOP0	GPIO	PC6	I/O	—	—	ERXER	I	TIOA5	I/O	—	—	PIO, I, PU, ST
A7	VDDIOP0	GPIO	PC7	I/O	—	—	EREFCK	I	TIOB5	I/O	—	—	PIO, I, PU, ST
B6	VDDIOP0	GPIO	PC8	I/O	—	—	EMDC	O	TCLK5	I	—	—	PIO, I, PU, ST
D7	VDDIOP0	GPIO	PC9	I/O	—	—	EMDIO	I/O	—	—	—	—	PIO, I, PU, ST
A5	VDDIOP0	GPIO	PC10	I/O	—	—	MCI2_CDA	I/O	—	—	LCDDAT20	O	PIO, I, PU, ST
C7	VDDIOP0	GPIO	PC11	I/O	—	—	MCI2_DA0	I/O	—	—	LCDDAT19	O	PIO, I, PU, ST
B5	VDDIOP0	GPIO	PC12	I/O	—	—	MCI2_DA1	I/O	TIOA1	I/O	LCDDAT18	O	PIO, I, PU, ST
C6	VDDIOP0	GPIO	PC13	I/O	—	—	MCI2_DA2	I/O	TIOB1	I/O	LCDDAT17	O	PIO, I, PU, ST
B4	VDDIOP0	GPIO	PC14	I/O	—	—	MCI2_DA3	I/O	TCLK1	I	LCDDAT16	O	PIO, I, PU, ST
A4	VDDIOP0	MCL_CLK	PC15	I/O	—	—	MCI2_CK	I/O	PCK2	O	LCDDAT21	O	PIO, I, PU, ST
A3	VDDIOP0	GPIO	PC16	I/O	—	—	TK0	I/O	—	—	—	—	PIO, I, PU, ST
C5	VDDIOP0	GPIO	PC17	I/O	—	—	TF0	I/O	—	—	—	—	PIO, I, PU, ST
C4	VDDIOP0	GPIO	PC18	I/O	—	—	TD0	O	—	—	—	—	PIO, I, PU, ST
D6	VDDIOP0	GPIO	PC19	I/O	—	—	RK0	I/O	—	—	—	—	PIO, I, PU, ST
B3	VDDIOP0	GPIO	PC20	I/O	—	—	RF0	I/O	—	—	—	—	PIO, I, PU, ST
D5	VDDIOP0	GPIO	PC21	I/O	—	—	RD0	I	—	—	—	—	PIO, I, PU, ST
C3	VDDIOP0	GPIO	PC22	I/O	—	—	SPI1_MISO	I/O	—	—	—	—	PIO, I, PU, ST
B2	VDDIOP0	GPIO	PC23	I/O	—	—	SPI1_MOSI	I/O	—	—	—	—	PIO, I, PU, ST
A2	VDDIOP0	GPIO_CLK	PC24	I/O	—	—	SPI1_SPCK	I/O	—	—	—	—	PIO, I, PU, ST
A1	VDDIOP0	GPIO	PC25	I/O	—	—	SPI1_NPCS0	I/O	—	—	—	—	PIO, I, PU, ST
D3	VDDIOP0	GPIO	PC26	I/O	—	—	SPI1_NPCS1	O	TWD1	I/O	ISL_D11	I	PIO, I, PU, ST
D4	VDDIOP0	GPIO	PC27	I/O	—	—	SPI1_NPCS2	O	TWCK1	O	ISL_D10	I	PIO, I, PU, ST
E4	VDDIOP0	GPIO	PC28	I/O	—	—	SPI1_NPCS3	O	PWMF10	I	ISL_D9	I	PIO, I, PU, ST
E3	VDDIOP0	GPIO	PC29	I/O	—	—	URXD0	I	PWMF12	I	ISL_D8	I	PIO, I, PU, ST
E1	VDDIOP0	GPIO	PC30	I/O	—	—	UTXD0	O	—	—	ISL_PCK	O	PIO, I, PU, ST
F4	VDDIOP0	GPIO	PC31	I/O	—	—	FIQ	I	PWMF11	I	—	—	PIO, I, PU, ST
M10	VDDIOP1	GPIO	PD0	I/O	—	—	MCI0_CDA	I/O	—	—	—	—	PIO, I, PU, ST
T1	VDDIOP1	GPIO	PD1	I/O	—	—	MCI0_DA0	I/O	—	—	—	—	PIO, I, PU, ST
R4	VDDIOP1	GPIO	PD2	I/O	—	—	MCI0_DA1	I/O	—	—	—	—	PIO, I, PU, ST
U1	VDDIOP1	GPIO	PD3	I/O	—	—	MCI0_DA2	I/O	—	—	—	—	PIO, I, PU, ST
M9	VDDIOP1	GPIO	PD4	I/O	—	—	MCI0_DA3	I/O	—	—	—	—	PIO, I, PU, ST
V1	VDDIOP1	GPIO	PD5	I/O	—	—	MCI0_DA4	I/O	TIOA0	I/O	PWMH2	O	PIO, I, PU, ST
N10	VDDIOP1	GPIO	PD6	I/O	—	—	MCI0_DA5	I/O	TIOB0	I/O	PWML2	O	PIO, I, PU, ST
W1	VDDIOP1	GPIO	PD7	I/O	—	—	MCI0_DA6	I/O	TCLK0	I	PWMH3	O	PIO, I, PU, ST
R3	VDDIOP1	GPIO	PD8	I/O	—	—	MCI0_DA7	I/O	—	—	PWML3	O	PIO, I, PU, ST
Y1	VDDIOP1	MCL_CLK	PD9	I/O	—	—	MCI0_CK	I/O	—	—	—	—	PIO, I, PU, ST
T3	VDDIOP1	GPIO	PD10	I/O	—	—	SPI0_MISO	I/O	—	—	—	—	PIO, I, PU, ST
T2	VDDIOP1	GPIO	PD11	I/O	—	—	SPI0_MOSI	I/O	—	—	—	—	PIO, I, PU, ST

SAMA5D3 SERIES

Table 3-2: SAMA5D3 Pinout for 324-ball TFBGA Package (Continued)

Pin	Power Rail	I/O Type	Primary		Alternate		PIO Peripheral A		PIO Peripheral B		PIO Peripheral C		Reset State ⁽¹⁾
			Signal	Dir	Signal	Dir	Signal	Dir	Signal	Dir	Signal	Dir	Signal, Dir, PU, PD, HiZ, ST
N9	VDDIOP1	GPIO_CLK	PD12	I/O	—	—	SPI0_SPCK	I/O	—	—	—	—	PIO, I, PU, ST
U2	VDDIOP1	GPIO	PD13	I/O	—	—	SPI0_NPCS0	I/O	—	—	—	—	PIO, I, PU, ST
T4	VDDIOP1	GPIO	PD14	I/O	—	—	SCK0	I/O	SPI0_NPCS1	O	CANRX0	I	PIO, I, PU, ST
V2	VDDIOP1	GPIO	PD15	I/O	—	—	CTS0	I	SPI0_NPCS2	O	CANTX0	O	PIO, I, PU, ST
U3	VDDIOP1	GPIO	PD16	I/O	—	—	RTS0	O	SPI0_NPCS3	O	PWMF13	I	PIO, I, PU, ST
V3	VDDIOP1	GPIO	PD17	I/O	—	—	RXD0	I	—	—	—	—	PIO, I, PU, ST
U4	VDDIOP1	GPIO	PD18	I/O	—	—	TXD0	O	—	—	—	—	PIO, I, PU, ST
W2	VDDIOP1	GPIO	PD19	I/O	—	—	ADTRG	I	—	—	—	—	PIO, I, PU, ST
P3	VDDANA	GPIO_ANA	PD20	I/O	—	—	AD0	I	—	—	—	—	PIO, I, PU, ST
R2	VDDANA	GPIO_ANA	PD21	I/O	—	—	AD1	I	—	—	—	—	PIO, I, PU, ST
P2	VDDANA	GPIO_ANA	PD22	I/O	—	—	AD2	I	—	—	—	—	PIO, I, PU, ST
R1	VDDANA	GPIO_ANA	PD23	I/O	—	—	AD3	I	—	—	—	—	PIO, I, PU, ST
P1	VDDANA	GPIO_ANA	PD24	I/O	—	—	AD4	I	—	—	—	—	PIO, I, PU, ST
N3	VDDANA	GPIO_ANA	PD25	I/O	—	—	AD5	I	—	—	—	—	PIO, I, PU, ST
N1	VDDANA	GPIO_ANA	PD26	I/O	—	—	AD6	I	—	—	—	—	PIO, I, PU, ST
N2	VDDANA	GPIO_ANA	PD27	I/O	—	—	AD7	I	—	—	—	—	PIO, I, PU, ST
M2	VDDANA	GPIO_ANA	PD28	I/O	—	—	AD8	I	—	—	—	—	PIO, I, PU, ST
M1	VDDANA	GPIO_ANA	PD29	I/O	—	—	AD9	I	—	—	—	—	PIO, I, PU, ST
M3	VDDANA	GPIO_ANA	PD30	I/O	—	—	AD10	I	PCK0	O	—	—	PIO, I, PU, ST
L1	VDDANA	GPIO_ANA	PD31	I/O	—	—	AD11	I	PCK1	O	—	—	PIO, I, PU, ST
W17	VDDIOM	EBI	PE0	I/O	—	—	A0/NBS0	O	—	—	—	—	A,I, PD, ST
Y18	VDDIOM	EBI	PE1	I/O	—	—	A1	O	—	—	—	—	A,I, PD, ST
W18	VDDIOM	EBI	PE2	I/O	—	—	A2	O	—	—	—	—	A,I, PD, ST
AA21	VDDIOM	EBI	PE3	I/O	—	—	A3	O	—	—	—	—	A,I, PD, ST
Y16	VDDIOM	EBI	PE4	I/O	—	—	A4	O	—	—	—	—	A,I, PD, ST
Y20	VDDIOM	EBI	PE5	I/O	—	—	A5	O	—	—	—	—	A,I, PD, ST
W19	VDDIOM	EBI	PE6	I/O	—	—	A6	O	—	—	—	—	A,I, PD, ST
Y22	VDDIOM	EBI	PE7	I/O	—	—	A7	O	—	—	—	—	A,I, PD, ST
Y21	VDDIOM	EBI	PE8	I/O	—	—	A8	O	—	—	—	—	A,I, PD, ST
W22	VDDIOM	EBI	PE9	I/O	—	—	A9	O	—	—	—	—	A,I, PD, ST
V19	VDDIOM	EBI	PE10	I/O	—	—	A10	O	—	—	—	—	A,I, PD, ST
W20	VDDIOM	EBI	PE11	I/O	—	—	A11	O	—	—	—	—	A,I, PD, ST
W21	VDDIOM	EBI	PE12	I/O	—	—	A12	O	—	—	—	—	A,I, PD, ST
T19	VDDIOM	EBI	PE13	I/O	—	—	A13	O	—	—	—	—	A,I, PD, ST
V22	VDDIOM	EBI	PE14	I/O	—	—	A14	O	—	—	—	—	A,I, PD, ST
V20	VDDIOM	EBI	PE15	I/O	—	—	A15	O	SCK3	I/O	—	—	A,I, PD, ST
V21	VDDIOM	EBI	PE16	I/O	—	—	A16	O	CTS3	I	—	—	A,I, PD, ST
T20	VDDIOM	EBI	PE17	I/O	—	—	A17	O	RTS3	O	—	—	A,I, PD, ST
U20	VDDIOM	EBI	PE18	I/O	—	—	A18	O	RXD3	I	—	—	A,I, PD, ST
U21	VDDIOM	EBI	PE19	I/O	—	—	A19	O	TXD3	O	—	—	A,I, PD, ST
U22	VDDIOM	EBI	PE20	I/O	—	—	A20	O	SCK2	I/O	—	—	A,I, PD, ST
R19	VDDIOM	EBI	PE21	I/O	—	—	A21/NANDALE	O	—	—	—	—	A,I, PD, ST
R20	VDDIOM	EBI	PE22	I/O	—	—	A22/NANDCLE	O	—	—	—	—	A,I, PD, ST

Table 3-2: SAMA5D3 Pinout for 324-ball TFBGA Package (Continued)

Pin	Power Rail	I/O Type	Primary		Alternate		PIO Peripheral A		PIO Peripheral B		PIO Peripheral C		Reset State ⁽¹⁾
			Signal	Dir	Signal	Dir	Signal	Dir	Signal	Dir	Signal	Dir	Signal, Dir, PU, PD, HiZ, ST
T21	VDDIOM	EBI	PE23	I/O	—	—	A23	O	CTS2	I	—	—	A,I, PD, ST
T22	VDDIOM	EBI	PE24	I/O	—	—	A24	O	RTS2	O	—	—	A,I, PD, ST
P19	VDDIOM	EBI	PE25	I/O	—	—	A25	O	RXD2	I	—	—	A,I, PD, ST
R22	VDDIOM	EBI	PE26	I/O	—	—	NCS0	O	TXD2	O	—	—	PIO,O, PU, ST
R21	VDDIOM	EBI	PE27	I/O	—	—	NCS1	O	TIOA2	I/O	LCDDAT22	O	PIO,I, PD, ST
P20	VDDIOM	EBI	PE28	I/O	—	—	NCS2	O	TIOB2	I/O	LCDDAT23	O	PIO, I, PD, ST
P21	VDDIOM	EBI	PE29	I/O	—	—	NWR1/NBS1	O	TCLK2	I	—	—	PIO, I, PD, ST
N19	VDDIOM	EBI	PE30	I/O	—	—	NWAIT	I	—	—	—	—	PIO, I, PD, ST
N21	VDDIOM	EBI	PE31	I/O	—	—	IRQ	I	PWML1	O	—	—	PIO,I, PD, ST
Y15	VDDBU	SYSC	TST	I	—	—	—	—	—	—	—	—	I, PD
AB14	VDDIOP0	SYSC	BMS	I	—	—	—	—	—	—	—	—	I
AB11	VDDIOP0	CLOCK	XIN	I	—	—	—	—	—	—	—	—	I
AA11	VDDIOP0	CLOCK	XOUT	O	—	—	—	—	—	—	—	—	O
AB19	VDDBU	CLOCK	XIN32	I	—	—	—	—	—	—	—	—	I
AA19	VDDBU	CLOCK	XOUT32	O	—	—	—	—	—	—	—	—	O
W16	VDDBU	SYSC	SHDN	O	—	—	—	—	—	—	—	—	O
AB16	VDDBU	SYSC	WKUP	I	—	—	—	—	—	—	—	—	I, ST
Y13	VDDIOP0	RSTJTAG	NRST	I/O	—	—	—	—	—	—	—	—	I, PU, ST
AA14	VDDIOP0	RSTJTAG	NTRST	I	—	—	—	—	—	—	—	—	I, PU, ST
W13	VDDIOP0	RSTJTAG	TDI	I	—	—	—	—	—	—	—	—	I, ST
W11	VDDIOP0	RSTJTAG	TDO	O	—	—	—	—	—	—	—	—	O
W12	VDDIOP0	RSTJTAG	TMS	I	SWDIO	I/O	—	—	—	—	—	—	I, ST
Y14	VDDIOP0	RSTJTAG	TCK	I	SWCLK	I	—	—	—	—	—	—	I, ST
AA16	VDDBU	SYSC	JTAGSEL	I	—	—	—	—	—	—	—	—	I, PD
AA9	VDDIOP0	DIB	DIBP	O	—	—	—	—	—	—	—	—	O, PU
AB9	VDDIOP0	DIB	DIBN	O	—	—	—	—	—	—	—	—	O, PU
M19	VDDIOM	EBI	D0	I/O	—	—	—	—	—	—	—	—	I, PD
M22	VDDIOM	EBI	D1	I/O	—	—	—	—	—	—	—	—	I, PD
M20	VDDIOM	EBI	D2	I/O	—	—	—	—	—	—	—	—	I, PD
L22	VDDIOM	EBI	D3	I/O	—	—	—	—	—	—	—	—	I, PD
L20	VDDIOM	EBI	D4	I/O	—	—	—	—	—	—	—	—	I, PD
L21	VDDIOM	EBI	D5	I/O	—	—	—	—	—	—	—	—	I, PD
K21	VDDIOM	EBI	D6	I/O	—	—	—	—	—	—	—	—	I, PD
H22	VDDIOM	EBI	D7	I/O	—	—	—	—	—	—	—	—	I, PD
L19	VDDIOM	EBI	D8	I/O	—	—	—	—	—	—	—	—	I, PD
J22	VDDIOM	EBI	D9	I/O	—	—	—	—	—	—	—	—	I, PD
K19	VDDIOM	EBI	D10	I/O	—	—	—	—	—	—	—	—	I, PD
J21	VDDIOM	EBI	D11	I/O	—	—	—	—	—	—	—	—	I, PD
K22	VDDIOM	EBI	D12	I/O	—	—	—	—	—	—	—	—	I, PD
H20	VDDIOM	EBI	D13	I/O	—	—	—	—	—	—	—	—	I, PD
K20	VDDIOM	EBI	D14	I/O	—	—	—	—	—	—	—	—	I, PD
J20	VDDIOM	EBI	D15	I/O	—	—	—	—	—	—	—	—	I, PD
N20	VDDIOM	EBI	NCS3/NANDCS	O	—	—	—	—	—	—	—	—	O, PU

SAMA5D3 SERIES

Table 3-2: SAMA5D3 Pinout for 324-ball TFBGA Package (Continued)

Pin	Power Rail	I/O Type	Primary		Alternate		PIO Peripheral A		PIO Peripheral B		PIO Peripheral C		Reset State ⁽¹⁾
			Signal	Dir	Signal	Dir	Signal	Dir	Signal	Dir	Signal	Dir	Signal, Dir, PU, PD, HiZ, ST
M21	VDDIOM	EBI	NANDRDY	I	—	—	—	—	—	—	—	—	I, PU
N22	VDDIOM	EBI	NRD/NANDOE	O	—	—	—	—	—	—	—	—	O, PU
P22	VDDIOM	EBI	NWE/NANDWE	O	—	—	—	—	—	—	—	—	O, PU
J13, J14	VDDIODDR	Reference voltage	DDR_VREF	I	—	—	—	—	—	—	—	—	I
B13	VDDIODDR	DDR_IO	DDR_A0	O	—	—	—	—	—	—	—	—	O
C14	VDDIODDR	DDR_IO	DDR_A1	O	—	—	—	—	—	—	—	—	O
B16	VDDIODDR	DDR_IO	DDR_A2	O	—	—	—	—	—	—	—	—	O
C13	VDDIODDR	DDR_IO	DDR_A3	O	—	—	—	—	—	—	—	—	O
A14	VDDIODDR	DDR_IO	DDR_A4	O	—	—	—	—	—	—	—	—	O
D13	VDDIODDR	DDR_IO	DDR_A5	O	—	—	—	—	—	—	—	—	O
C12	VDDIODDR	DDR_IO	DDR_A6	O	—	—	—	—	—	—	—	—	O
B12	VDDIODDR	DDR_IO	DDR_A7	O	—	—	—	—	—	—	—	—	O
D12	VDDIODDR	DDR_IO	DDR_A8	O	—	—	—	—	—	—	—	—	O
A13	VDDIODDR	DDR_IO	DDR_A9	O	—	—	—	—	—	—	—	—	O
C11	VDDIODDR	DDR_IO	DDR_A10	O	—	—	—	—	—	—	—	—	O
B11	VDDIODDR	DDR_IO	DDR_A11	O	—	—	—	—	—	—	—	—	O
A12	VDDIODDR	DDR_IO	DDR_A12	O	—	—	—	—	—	—	—	—	O
A11	VDDIODDR	DDR_IO	DDR_A13	O	—	—	—	—	—	—	—	—	O
J19	VDDIODDR	DDR_IO	DDR_D0	I/O	—	—	—	—	—	—	—	—	HiZ
H21	VDDIODDR	DDR_IO	DDR_D1	I/O	—	—	—	—	—	—	—	—	HiZ
F20	VDDIODDR	DDR_IO	DDR_D2	I/O	—	—	—	—	—	—	—	—	HiZ
G20	VDDIODDR	DDR_IO	DDR_D3	I/O	—	—	—	—	—	—	—	—	HiZ
F21	VDDIODDR	DDR_IO	DDR_D4	I/O	—	—	—	—	—	—	—	—	HiZ
H19	VDDIODDR	DDR_IO	DDR_D5	I/O	—	—	—	—	—	—	—	—	HiZ
G21	VDDIODDR	DDR_IO	DDR_D6	I/O	—	—	—	—	—	—	—	—	HiZ
D21	VDDIODDR	DDR_IO	DDR_D7	I/O	—	—	—	—	—	—	—	—	HiZ
G19	VDDIODDR	DDR_IO	DDR_D8	I/O	—	—	—	—	—	—	—	—	HiZ
D20	VDDIODDR	DDR_IO	DDR_D9	I/O	—	—	—	—	—	—	—	—	HiZ
C22	VDDIODDR	DDR_IO	DDR_D10	I/O	—	—	—	—	—	—	—	—	HiZ
C20	VDDIODDR	DDR_IO	DDR_D11	I/O	—	—	—	—	—	—	—	—	HiZ
B21	VDDIODDR	DDR_IO	DDR_D12	I/O	—	—	—	—	—	—	—	—	HiZ
C21	VDDIODDR	DDR_IO	DDR_D13	I/O	—	—	—	—	—	—	—	—	HiZ
D19	VDDIODDR	DDR_IO	DDR_D14	I/O	—	—	—	—	—	—	—	—	HiZ
F19	VDDIODDR	DDR_IO	DDR_D15	I/O	—	—	—	—	—	—	—	—	HiZ
B20	VDDIODDR	DDR_IO	DDR_D16	I/O	—	—	—	—	—	—	—	—	HiZ
E21	VDDIODDR	DDR_IO	DDR_D17	I/O	—	—	—	—	—	—	—	—	HiZ
E19	VDDIODDR	DDR_IO	DDR_D18	I/O	—	—	—	—	—	—	—	—	HiZ
C17	VDDIODDR	DDR_IO	DDR_D19	I/O	—	—	—	—	—	—	—	—	HiZ
D18	VDDIODDR	DDR_IO	DDR_D20	I/O	—	—	—	—	—	—	—	—	HiZ
A18	VDDIODDR	DDR_IO	DDR_D21	I/O	—	—	—	—	—	—	—	—	HiZ
C19	VDDIODDR	DDR_IO	DDR_D22	I/O	—	—	—	—	—	—	—	—	HiZ
C18	VDDIODDR	DDR_IO	DDR_D23	I/O	—	—	—	—	—	—	—	—	HiZ

Table 3-2: SAMA5D3 Pinout for 324-ball TFBGA Package (Continued)

Pin	Power Rail	I/O Type	Primary		Alternate		PIO Peripheral A		PIO Peripheral B		PIO Peripheral C		Reset State ⁽¹⁾
			Signal	Dir	Signal	Dir	Signal	Dir	Signal	Dir	Signal	Dir	Signal, Dir, PU, PD, HiZ, ST
C16	VDDIODDR	DDR_IO	DDR_D24	I/O	—	—	—	—	—	—	—	—	HiZ
A21	VDDIODDR	DDR_IO	DDR_D25	I/O	—	—	—	—	—	—	—	—	HiZ
D15	VDDIODDR	DDR_IO	DDR_D26	I/O	—	—	—	—	—	—	—	—	HiZ
A20	VDDIODDR	DDR_IO	DDR_D27	I/O	—	—	—	—	—	—	—	—	HiZ
B14	VDDIODDR	DDR_IO	DDR_D28	I/O	—	—	—	—	—	—	—	—	HiZ
A22	VDDIODDR	DDR_IO	DDR_D29	I/O	—	—	—	—	—	—	—	—	HiZ
A16	VDDIODDR	DDR_IO	DDR_D30	I/O	—	—	—	—	—	—	—	—	HiZ
D14	VDDIODDR	DDR_IO	DDR_D31	I/O	—	—	—	—	—	—	—	—	HiZ
E20	VDDIODDR	DDR_IO	DDR_DQM0	O	—	—	—	—	—	—	—	—	O
B22	VDDIODDR	DDR_IO	DDR_DQM1	O	—	—	—	—	—	—	—	—	O
B18	VDDIODDR	DDR_IO	DDR_DQM2	O	—	—	—	—	—	—	—	—	O
C15	VDDIODDR	DDR_IO	DDR_DQM3	O	—	—	—	—	—	—	—	—	O
G22	VDDIODDR	DDR_IO	DDR_QS0	I/O	—	—	—	—	—	—	—	—	I, PD
E22	VDDIODDR	DDR_IO	DDR_QS1	I/O	—	—	—	—	—	—	—	—	I, PD
A19	VDDIODDR	DDR_IO	DDR_QS2	I/O	—	—	—	—	—	—	—	—	I, PD
B17	VDDIODDR	DDR_IO	DDR_QS3	I/O	—	—	—	—	—	—	—	—	I, PD
F22	VDDIODDR	DDR_IO	DDR_QSN0	I/O	—	—	—	—	—	—	—	—	I, PU
D22	VDDIODDR	DDR_IO	DDR_QSN1	I/O	—	—	—	—	—	—	—	—	I, PU
B19	VDDIODDR	DDR_IO	DDR_QSN2	I/O	—	—	—	—	—	—	—	—	I, PU
A17	VDDIODDR	DDR_IO	DDR_QSN3	I/O	—	—	—	—	—	—	—	—	I, PU
C9	VDDIODDR	DDR_IO	DDR_CS	O	—	—	—	—	—	—	—	—	O
D17	VDDIODDR	DDR_IO	DDR_CLK	O	—	—	—	—	—	—	—	—	O
D16	VDDIODDR	DDR_IO	DDR_CLKN	O	—	—	—	—	—	—	—	—	O
A9	VDDIODDR	DDR_IO	DDR_CKE	O	—	—	—	—	—	—	—	—	O
A15	VDDIODDR	DDR_IO	DDR_CALN	I	—	—	—	—	—	—	—	—	O
B15	VDDIODDR	DDR_IO	DDR_CALP	I	—	—	—	—	—	—	—	—	O
B10	VDDIODDR	DDR_IO	DDR_RAS	O	—	—	—	—	—	—	—	—	O
B9	VDDIODDR	DDR_IO	DDR_CAS	O	—	—	—	—	—	—	—	—	O
A8	VDDIODDR	DDR_IO	DDR_WE	O	—	—	—	—	—	—	—	—	O
D11	VDDIODDR	DDR_IO	DDR_BA0	O	—	—	—	—	—	—	—	—	O
A10	VDDIODDR	DDR_IO	DDR_BA1	O	—	—	—	—	—	—	—	—	O
C10	VDDIODDR	DDR_IO	DDR_BA2	O	—	—	—	—	—	—	—	—	O
P12	VBG	VBG	VBG	I	—	—	—	—	—	—	—	—	I
AA17	VDDUTMII	USBHS	HHSDPC	I/O	—	—	—	—	—	—	—	—	O, PD
AB17	VDDUTMII	USBHS	HHSDMC	I/O	—	—	—	—	—	—	—	—	O, PD
AA15	VDDUTMII	USBHS	HHSDPB	I/O	—	—	—	—	—	—	—	—	O, PD
AB15	VDDUTMII	USBHS	HHSDMB	I/O	—	—	—	—	—	—	—	—	O, PD
AA13	VDDUTMII	USBHS	HHSDPA	I/O	DHSDP	—	—	—	—	—	—	—	O, PD
AB13	VDDUTMII	USBHS	HHSDMA	I/O	DHSDM	—	—	—	—	—	—	—	O, PD
N13	VDDBU	Power supply	VDDBU	I	—	—	—	—	—	—	—	—	I
N12	GNDDBU	Ground	GNDDBU	I	—	—	—	—	—	—	—	—	I

SAMA5D3 SERIES

Table 3-2: SAMA5D3 Pinout for 324-ball TFBGA Package (Continued)

Pin	Power Rail	I/O Type	Primary		Alternate		PIO Peripheral A		PIO Peripheral B		PIO Peripheral C		Reset State ⁽¹⁾
			Signal	Dir	Signal	Dir	Signal	Dir	Signal	Dir	Signal	Dir	Signal, Dir, PU, PD, HiZ, ST
Y17, Y19, AA20, AA22, AB20, AB22	VDDCORE	Power supply	VDDCORE	I	—	—	—	—	—	—	—	—	I
Y10, Y11, AA10, AA12, AB10, AB12	GNDCORE	Ground	GNDCORE	I	—	—	—	—	—	—	—	—	I
J12, K12, K13, K14, L12	VDDIODDR	Power supply	VDDIODDR	I	—	—	—	—	—	—	—	—	I
L13, L14, M12, M13, N11	GNDIODDR	Ground	GNDIODDR	I	—	—	—	—	—	—	—	—	I
M14, U19	VDDIOM	Power supply	VDDIOM	I	—	—	—	—	—	—	—	—	I
N14, P14	GNDIOM	Ground	GNDIOM	I	—	—	—	—	—	—	—	—	I
J9, J10	VDDIOP0	Power supply	VDDIOP0	I	—	—	—	—	—	—	—	—	I
P9, P10	VDDIOP1	Power supply	VDDIOP1	I	—	—	—	—	—	—	—	—	I
J11, K11, L11, M11	GNDIOP	Ground	GNDIOP	I	—	—	—	—	—	—	—	—	I
AB18	VDDUTMIC	Power supply	VDDUTMIC	I	—	—	—	—	—	—	—	—	I
AA18	VDDUTMII	Power supply	VDDUTMII	I	—	—	—	—	—	—	—	—	I
P13	GNDUTMI	Ground	GNDUTMI	I	—	—	—	—	—	—	—	—	I
W14	VDDPLLA	Power supply	VDDPLLA	I	—	—	—	—	—	—	—	—	I
W15	GNDPLL	Ground	GNDPLL	I	—	—	—	—	—	—	—	—	I
AB21	VDDOSC	Power supply	VDDOSC	I	—	—	—	—	—	—	—	—	I
P11	GNDOSC	Ground	GNDOSC	I	—	—	—	—	—	—	—	—	I
M4	VDDANA	Power supply	VDDANA	I	—	—	—	—	—	—	—	—	I
P4	GNDANA	Ground	GNDANA	I	—	—	—	—	—	—	—	—	I
N4	VDDANA	Power supply	ADVREF	I	—	—	—	—	—	—	—	—	I
W4	VDDFUSE	Power supply	VDDFUSE	I	—	—	—	—	—	—	—	—	I
V4	GNDFUSE	Ground	GNDFUSE	I	—	—	—	—	—	—	—	—	I

Note 1: The reset state of the GPIOs is not ensured during power-up phase. During this phase, the GPIOs are in Input Pull-Up mode and they take their reset value only after VDDCORE POR reset has been released. If a GPIO must be at level zero at power-up, it is recommended to connect an external pull down to ensure this state.

3.5 Input/Output Description

Table 3-3: SAMA5D3 I/O Type Description

I/O Type	Voltage Range	Analog	Pull-up		Pull-down		Schmitt Trigger ⁽²⁾
			Type ⁽²⁾	Typ Value (Ω)	Type	Typ Value (Ω)	
GPIO	1.65–3.6V	—	Switchable	(1)	Switchable	(1)	Switchable
GPIO_CLK	1.65–3.6V	—	Switchable	(1)	Switchable	(1)	Switchable
GPIO_CLK2	1.65–3.6V	—	Switchable	(1)	Switchable	(1)	Switchable
GPIO_ANA	3.0–3.6V	I	Switchable	(1)	—	—	Switchable
EBI	1.65–1.95V, 3.0–3.6V	—	Switchable	100K	Switchable	100K	—
RSTJTAG	1.65–3.6V	—	Reset State	100K	Reset State	100K	Reset State
SYSC	1.65–3.6V	—	—	—	Reset State	15K	Reset State
USBHS	3.0–3.6V	I/O	—	—	—	—	—
CLOCK	1.65–3.6V	I/O	—	—	—	—	—
DIB	3.0–3.6V	I/O	—	—	—	—	—
GMAC	2.5V–3.6V	—	Switchable	(1)	Switchable	(1)	Switchable

Note 1: Refer to [Section 54.2 DC Characteristics](#).

2: When “Reset State” is indicated, the configuration is defined by the “Reset State” column of the Pin Description table (see [Table 3-1 on page 11](#) and [Table 3-2 on page 19](#)).

Table 3-4: SAMA5D3 I/O Type Assignment and Frequency

I/O Type	Max I/O Frequency (MHz)	Load (pF)	Fan-out	Drive Control	Signal Name
GPIO	33	40	—	High/Medium/Low	All PIO lines except the lines indicated further on in this table
MCI_CLK	52	20	—	High/Medium/Low	MCI0CK, MCI1CK, MCI2CK
GPIO_CLK	66	20	—	High/Medium/Low	SPI0CK, SPI1CK, ETXCLK, ERXCLK
GPIO_CLK2	75	20	—	High/Medium/Low	LCDDOTCK
GPIO_ANA	25	20	16 mA, 40 mA (peak)	Fixed to Medium	ADx
EBI	66	50	—	High/Medium/Low 1.8V/3.3V	All EBI signals
DDR_IO	166	20	—	High/Medium/Low	All DDR signals
RST	3	10	—	Fixed to Low	NRST, NTRST, BMS
JTAG	10	10	—	Fixed to Medium	TCK, TDI, TMS, TDO
SYSC	0.25	10	—	No	WKUP, SHDN, JTAGESL, TST
VBG	0.25	10	—	No	VBG

SAMA5D3 SERIES

Table 3-4: SAMA5D3 I/O Type Assignment and Frequency (Continued)

I/O Type	Max I/O Frequency (MHz)	Load (pF)	Fan-out	Drive Control	Signal Name
USBHS	480	20	—	No	HHSDPC, HHSDPB, HHSDPA/DHSDP, HHSDMC, HHSDMB, HHSDMA/DHSDM
CLOCK	50	50	—	No	XIN, XOUT, XIN32, XOUT32
GMAC	125	15	—	High/Medium/Low	Gigabit Ethernet I/Os

4. Power Considerations

4.1 Power Supplies

Table 4-1 defines the voltage of power supply rails.

Table 4-1: SAMA5D3 Power Supplies

Name	Voltage Range, Nominal	Associated Ground	Items Powered
VDDCORE	1.1–1.32V, 1.2V	GNDCORE	Core, including the processor, the embedded memories and the peripherals
VDDIODDR	1.7–1.9V, 1.8V 1.14–1.30, 1.2V	GNDIODDR	LPDDR/DDR2 Interface I/O lines LPDDR2 Interface I/O lines
VDDIOM	1.65–1.95V, 1.8V 3.0–3.6V, 3.3V	GNDIOM	NAND and SMC Interface I/O lines
VDDIOP0	1.65–3.6V	GNDIOP	Peripheral I/O lines
VDDIOP1	1.65–3.6V	GNDIOP	Peripheral I/O lines
VDDBU	1.65–3.6V	GNDBU	Slow Clock Oscillator, the internal 32 kHz RC Oscillator and a part of the System Controller
VDDUTMIC	1.1–1.32V, 1.2V	GNDUTMI	USB device and host UTMI+ core
VDDUTMII	3.0–3.6V, 3.3V	GNDUTMI	USB device and host UTMI+ interface
VDDPLLA	1.1–1.32V, 1.2V	GNDPLL	PLLA cell
VDDOSC	1.65–3.6V	GNDOSC	Main Oscillator cell and PLL UTMI. If PLL UTMI or USB is used, the range is to be 3.0–3.6V.
VDDANA	2.4–3.6V, 3.3V	GNDANA	Analog-to-Digital Converter
VDDFUSE	2.25–2.75V, 2.5V	GNDFUSE	Fuse box for programming It can be tied to ground with a 100 Ω resistor for fuse reading only. It must be powered for Fuse programming and to switch in Secure Mode.

4.2 Power Sequence Requirements

4.2.1 Power-up Considerations

From a power-up supply sequencing perspective, SAMA5D3x power supply inputs are categorized into two groups:

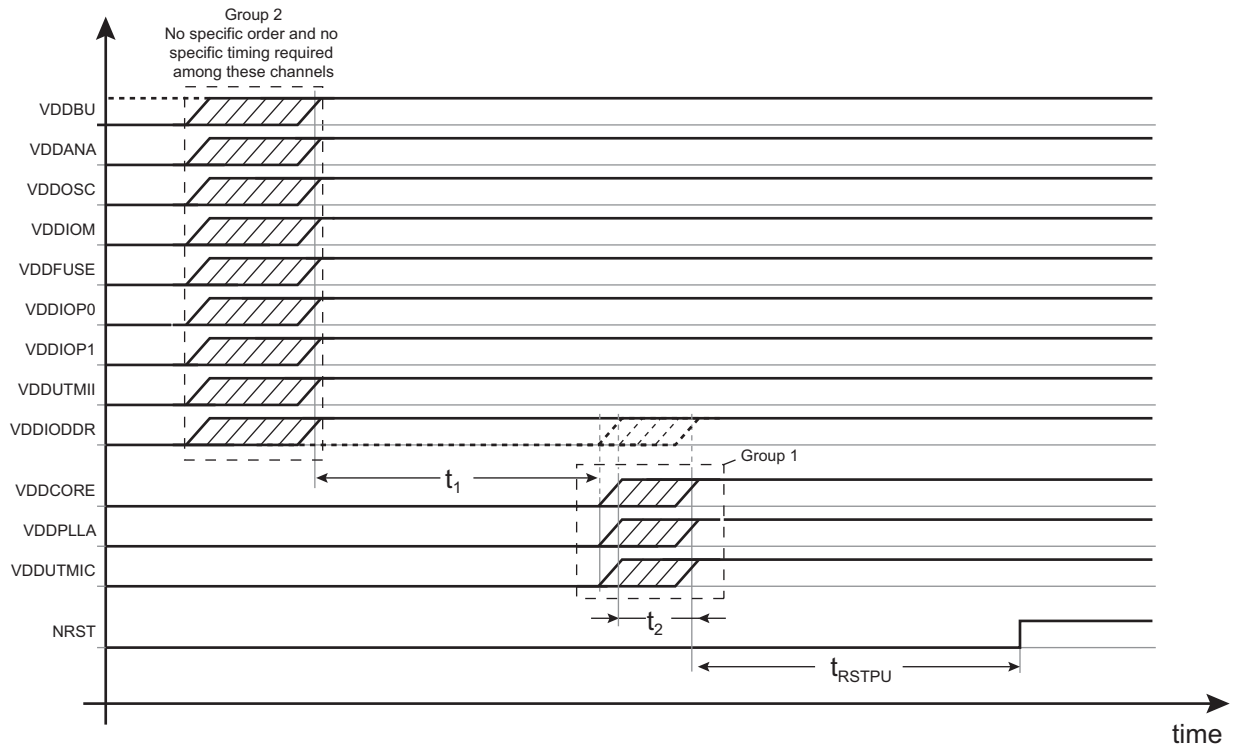
- Group 1, the core group, containing VDDCORE, VDDUTMIC and VDDPLLA
- Group 2, the periphery group, containing all other power supply inputs.

Figure 4-1 shows timing values t_1 and t_2 , with the following clarifications:

- VDDBU, when supplied from a battery is an always-on supply input and is therefore not part of the power supply sequencing. When no backup battery is present in the application, VDDBU is part of Group 2.
- VDDFUSE is the only power supply that may be left un-powered during operation. This is possible if and only if the application does not access the fuse box in write mode. VDDFUSE must be applied when programming the fuse box.
- VDDIODDR may be nominally supplied at 1.2V when the SAMA5D3x is equipped with an LPDDR2 memory. In this case, VDDIODDR can be considered as part of Group 1.

For details, refer to [Table 54-42 Power-up Timing Specification](#).

Figure 4-1: Recommended Power-up Sequence

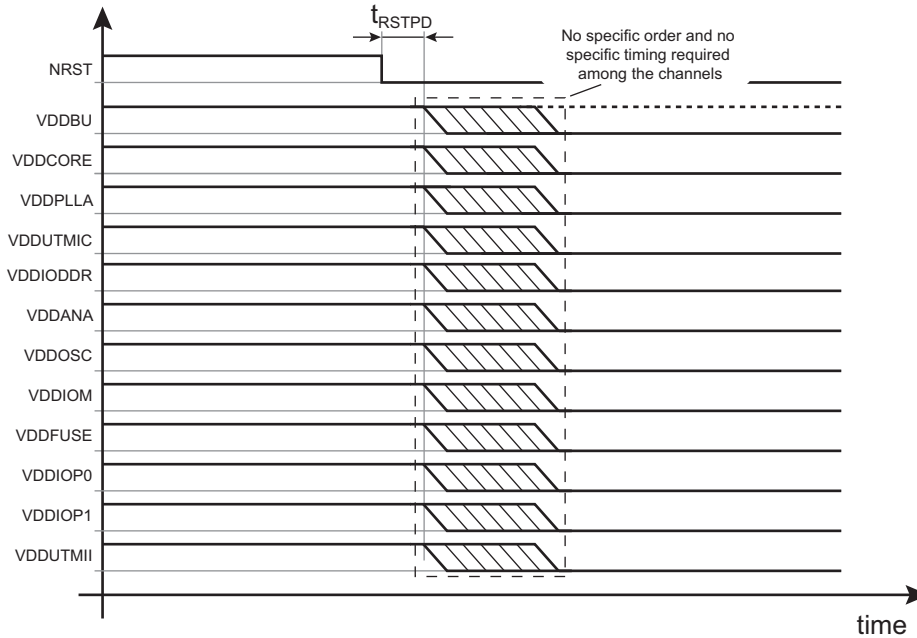


SAMA5D3 SERIES

4.2.2 Power-down Considerations

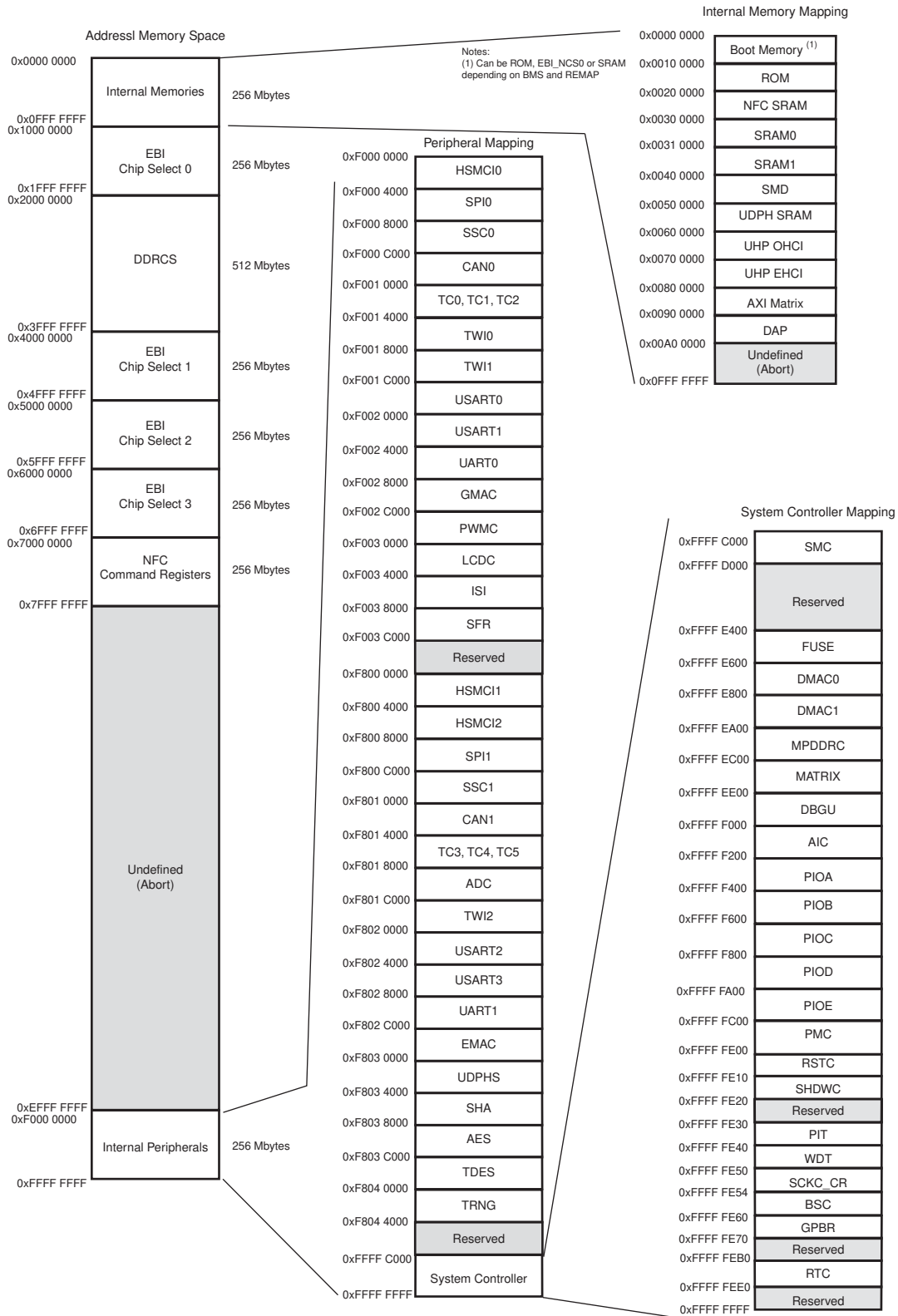
Figure 4-2 gives the SAMA5D3x power-down sequence that starts by asserting the NRST line to 0. Once NRST is asserted, the supply inputs can be immediately shut down without any specific timing or order. VDDDBU may not be shutdown if the application uses a backup battery on this supply input.

Figure 4-2: Recommended Power-down Sequence



5. Memories

Figure 5-1: Memory Mapping



SAMA5D3 SERIES

5.1 Embedded Memories

5.1.1 Internal SRAM

The SAMA5D3 embeds a total of 128 Kbytes high-speed SRAM0 and SRAM1. After Remap the SRAM is accessible at address 0 but also at address 0x00300000. Only the ARM core has access to the SRAM at address 0. The others masters (DMA, peripherals, etc.) always access the SRAM at address 0x00300000.

SRAM0 and SRAM1 can be accessed in parallel to improve the overall bandwidth of the system.

5.1.2 Internal ROM

The SAMA5D3 embeds one 160-Kbyte internal ROM containing a standard and a secure bootloader. The secure bootloader is described in a separate document, under NDA. The standard bootloader supports booting from:

- 8-bit NAND Flash with ECC management
- SPI Serial Flash
- SDCARD
- EMMC
- TWI EEPROM

The boot sequence can be selected using the boot order facility (Boot Sequence Controller Configuration Register). The internal ROM embeds Galois field tables that are used to compute NAND Flash ECC. Refer to [Figure 11-9 Galois Field Table Mapping](#) in [Section 11. Standard Boot Strategies](#).

5.1.3 Boot Strategies

For standard boot strategies, refer to [Section 11. Standard Boot Strategies](#).

For secure boot strategies, refer to the application note “SAMA5D3x Secure Boot Strategy” (NDA required).

5.2 External Memory

The SAMA5D3 features interfaces to offer connexion to a wide range of external memories or to parallel peripherals.

5.2.1 DDR2/LPDDR/LPDDR2 Interface

- 32-bit external interface
- 512 Mbytes address space on CS1
- Supports DDR2, LPDDR and LPDDR2 memories
- Drive level control
- I/O impedance control embedded
- Supports 4-banks and 8-banks and up to 512 Mbytes
- Multi-port

5.2.2 Static Memories and NAND Flash

The static memory controller is dedicated to interfacing external memory devices:

The static memory controller is able to drive up to four chip selects. NCS3 is dedicated to the NAND Flash control.

- Asynchronous SRAM-like memories and parallel peripherals
- NAND Flash (8-bit MLC and SLC)

The SMC embeds a NAND Flash Controller (NFC). The NFC can handle automatic transfers, sending the commands and address cycles to the NAND Flash and transferring the contents of the page (for read and write) to the NFC SRAM. It minimizes the CPU overhead.

In order to improve overall system performance the DATA phase of the transfer can be DMA assisted. The static memory embeds a NAND Flash Error Correction Code controller with the features as follows:

- Algorithm based on BCH codes
- Supports also SLC 1-bit (BCH 2-bit), SLC 4-bit (BCH 4-bit)
- Programmable Error Correcting Capability:
 - 2-bit, 4-bit, 8-bit and 16-bit errors for 512 bytes/sector (4 Kbyte page)
 - 24-bit error for 1024 bytes/sector (8 Kbyte page)
- Programmable sector size: 512 bytes or 1024 bytes
- Programmable number of sector per page: 1, 2, 4 or 8 blocks of data per page

- Programmable spare area size
- Supports spare area ECC protection
- Supports 8 Kbyte page size using 1024 bytes/sector and 4 Kbyte page size using 512 bytes/sector
- Error detection is interrupt driven
- Provides hardware acceleration for error location
- Finds roots of error-locator polynomial
- Programmable number of roots

SAMA5D3 SERIES

6. Real-time Event Management

The events generated by peripherals are designed to be directly routed to peripherals managing/using these events without processor intervention. Peripherals receiving events contain logic by which to select the one required.

6.1 Embedded Characteristics

Peripherals generate event triggers which are directly routed to event managers such as ADC, for example, to start measurement/conversion without processor intervention.

6.2 Real-time Event Mapping List

Table 6-1: Real-time Event Mapping List

Event Generator	Event Manager	Function
PMC	Pulse Width Modulation (PWM)	Safety / Puts the PWM Outputs in Safe Mode (Main Crystal Clock Failure Detection)
Analog-to-Digital Converter (ADC)	PWM	Safety / Puts the PWM Outputs in Safe Mode (Overspeed, Overcurrent detection, etc.)

7. System Controller

The System Controller is a set of peripherals that allows handling of key elements of the system, such as power, resets, clocks, time, interrupts, watchdog, etc.

The System Controller User Interface also embeds the registers that configure the Matrix and a set of registers for the chip configuration. The chip configuration registers configure the EBI chip select assignment and voltage range for external memories.

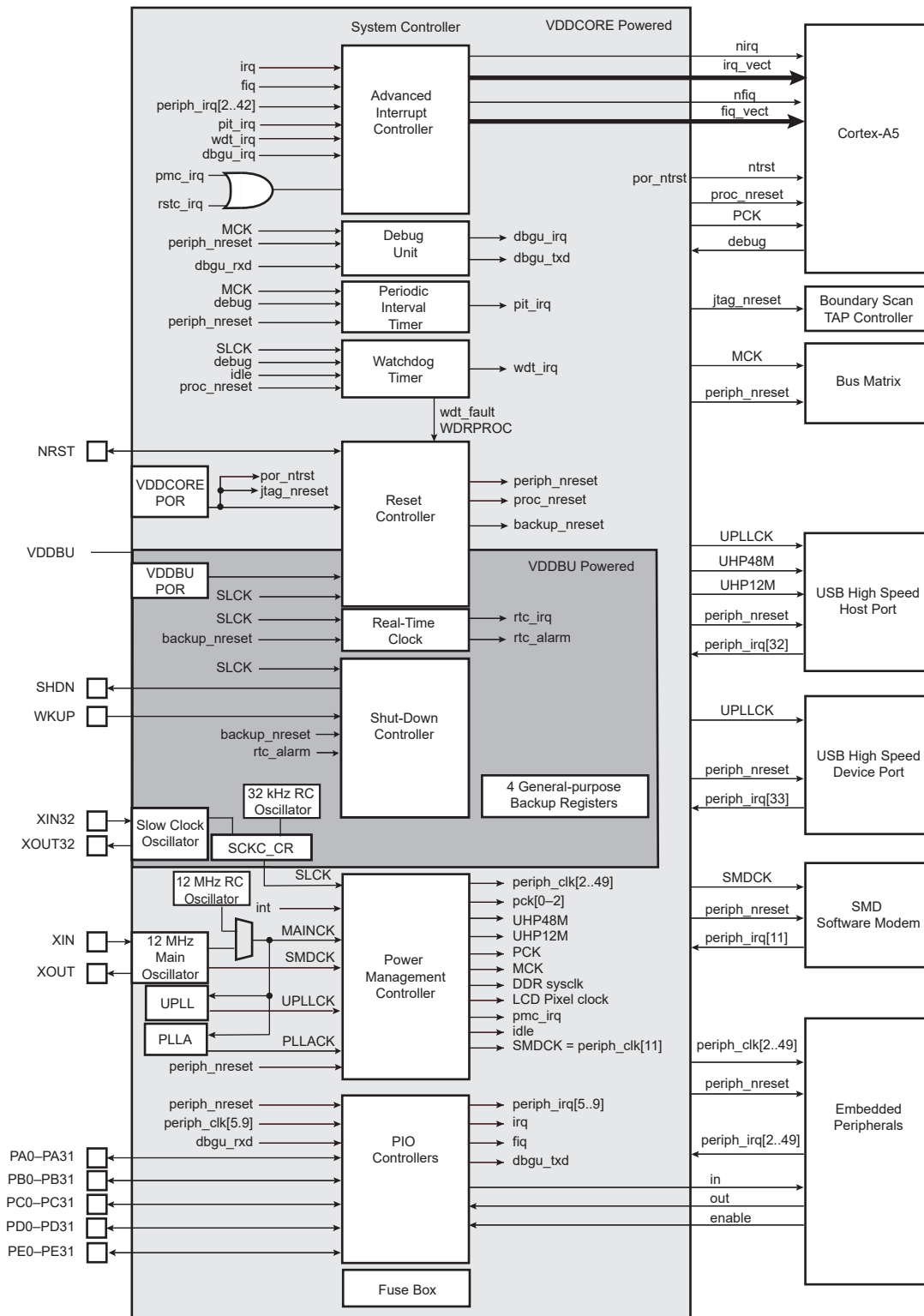
The System Controller's peripherals are all mapped within the highest 16 KB of address space, between addresses 0xFFFF D000 and 0xFFFF FFFF.

However, all the registers of System Controller are mapped on the top of the address space. All the registers of the System Controller can be addressed from a single pointer by using the standard ARM instruction set, as the Load/Store instruction have an indexing mode of ± 4 KB.

[Figure 7-1 on page 36](#) shows the System Controller block diagram.

SAMA5D3 SERIES

Figure 7-1: SAMA5D3 System Controller Block Diagram



7.1 Chip Identification

- Chip ID: 0x8A5C07C2
- Extended ID: see [Table 7-1](#)
- Boundary JTAG ID: 0x05B3103F
- Cortex-A5 JTAG IDCODE: 0x4BA00477
- Cortex-A5 Serial Wire IDCODE: 0x2BA01477

Table 7-1: Chip Identification of SAMA5D3 Devices

Device	Extended ID
SAMA5D31	0x00444300
SAMA5D33	0x00414300
SAMA5D34	0x00414301
SAMA5D35	0x00584300
SAMA5D36	0x00004301

7.2 Backup Section

The SAMA5D3 features a Backup section that embeds:

- RC Oscillator
- Slow Clock Oscillator
- Slow Clock Controller Configuration Register (SCKC_CR)
- Real-time Clock (RTC)
- Shutdown Controller (SHDWC)
- 4 Backup Registers (GPBR)
- Part of the Reset Controller (RSTC)
- Sequence Controller Configuration (BSC_CR)

This section is powered by the VDDBU rail.

SAMA5D3 SERIES

8. Peripherals

8.1 Peripheral Mapping

As shown in [Section 5. Memories](#) the peripherals are mapped in the upper 256 Mbytes of the address space between the addresses 0xFFFF7 8000 and 0xFFFFC FFFF.

Each user peripheral is allocated 16 Kbytes of address space.

8.2 Peripheral Identifiers

Table 8-1: Peripheral Identifiers

Instance			Interrupt		Clock Type
ID	Name	Description	External	Wired-OR	
0	AIC	Advanced Interrupt Controller	FIQ	—	SYS_CLK
1	SYSC	System Controller	—	PMC, RSTC, RTC	SYS_CLK
2	DBGU	Debug Unit Interrupt	—	—	PCLOCK
3	PIT	Periodic Interval Timer	—	—	SYS_CLK
4	WDT	Watchdog Timer	—	—	SYS_CLK
5	SMC	Multi-bit ECC	—	—	HCLOCK
6	PIOA	Parallel I/O Controller A	—	—	PCLOCK
7	PIOB	Parallel I/O Controller B	—	—	PCLOCK
8	PIOC	Parallel I/O Controller C	—	—	PCLOCK
9	PIOD	Parallel I/O Controller D	—	—	PCLOCK
10	PIOE	Parallel I/O Controller E	—	—	PCLOCK
11	SMD	SMD Soft Modem	—	—	HCLOCK
12	USART0	Universal Synchronous Asynchronous Receiver Transmitter 0	—	—	PCLOCK
13	USART1	Universal Synchronous Asynchronous Receiver Transmitter 1	—	—	PCLOCK
14	USART2	Universal Synchronous Asynchronous Receiver Transmitter 2	—	—	PCLOCK
15	USART3	Universal Synchronous Asynchronous Receiver Transmitter 3	—	—	PCLOCK
16	UART0	Universal Asynchronous Receiver Transmitter 0	—	—	PCLOCK
17	UART1	Universal Asynchronous Receiver Transmitter 1	—	—	PCLOCK
18	TWI0	Two-wire Interface 0	—	—	PCLOCK
19	TWI1	Two-wire Interface 1	—	—	PCLOCK
20	TWI2	Two-wire Interface 2	—	—	PCLOCK
21	HSMCI0	High Speed Multimedia Card Interface 0	—	—	PCLOCK
22	HSMCI1	High Speed Multimedia Card Interface 1	—	—	PCLOCK
23	HSMCI2	High Speed Multimedia Card Interface 2	—	—	PCLOCK
24	SPI0	Serial Peripheral Interface 0	—	—	PCLOCK
25	SPI1	Serial Peripheral Interface 1	—	—	PCLOCK
26	TC0	Timer Counter 0 (ch. 0, 1, 2)	—	—	PCLOCK
27	TC1	Timer Counter 1 (ch. 3, 4, 5)	—	—	PCLOCK
28	PWM	Pulse Width Modulation Controller	—	—	PCLOCK

Table 8-1: Peripheral Identifiers (Continued)

Instance			Interrupt		Clock Type
ID	Name	Description	External	Wired-OR	
29	ADC	Touchscreen ADC Controller	—	—	PCLOCK
30	DMAC0	DMA Controller 0	—	—	HCLOCK
31	DMAC1	DMA Controller 1	—	—	HCLOCK
32	UHPHS	USB Host High Speed Port	—	—	HCLOCK
33	UDPHS	USB High Speed Device Port	—	—	HCLOCK
34	GMAC	Gigabit Ethernet MAC	—	—	HCLOCK + PCLOCK
35	EMAC	Ethernet MAC	—	—	HCLOCK + PCLOCK
36	LCDC	LCD Controller	—	—	HCLOCK
37	ISI	Image Sensor Interface	—	—	HCLOCK
38	SSC0	Synchronous Serial Controller 0	—	—	PCLOCK
39	SSC1	Synchronous Serial Controller 1	—	—	PCLOCK
40	CAN0	CAN Controller 0	—	—	PCLOCK
41	CAN1	CAN Controller 1	—	—	PCLOCK
42	SHA	Secure Hash Algorithm	—	—	PCLOCK
43	AES	Advanced Encryption Standard	—	—	PCLOCK
44	TDES	Triple Data Encryption Standard	—	—	PCLOCK
45	TRNG	True Random Number Generator	—	—	PCLOCK
46	ARM	Performance Monitor Unit	—	—	PROC_CLOCK
47	AIC	Advanced Interrupt Controller	IRQ	—	SYS_CLK
48	FUSE	Fuse Controller	—	—	PCLOCK
49	MPDDRC	MPDDR Controller	—	—	HCLOCK
50–127	Reserved	—	—	—	—

SAMA5D3 SERIES

8.3 Peripheral Signal Multiplexing on I/O Lines

The SAMA5D3 features five PIO controllers (PIOA, PIOB, PIOC, PIOD and PIOE) which multiplex the I/O lines of the peripheral set.

Each PIO Controller controls 32 lines. Each line can be assigned to one of three peripheral functions: A, B or C. The multiplexing tables ([Table 3-1 SAMA5D3 Pinout for 324-ball LFBGA Package](#) and [Table 3-2 SAMA5D3 Pinout for 324-ball TFBGA Package](#)) define how the I/O lines of the peripherals A, B and C are multiplexed on the PIO controllers. Note that some output-only peripheral functions might be duplicated within the tables.

The column “Reset State” indicates whether the PIO line resets in I/O mode or in peripheral mode. If I/O is mentioned, the PIO line resets in input with the pull-up enabled, so that the device is maintained in a static state as soon as the reset is released. As a result, the bit corresponding to the PIO line in the register PIO_PSR (Peripheral Status Register) resets low.

If a signal name is mentioned in the “Reset State” column, the PIO line is assigned to this function and the corresponding bit in PIO_PSR resets high. This is the case of pins controlling memories, in particular the address lines, which require the pin to be driven as soon as the reset is released. Note that the pull-up resistor is also enabled in this case.

8.4 Peripheral Clock Type

The SAMA5D3 Series embeds peripherals with five different clock types:

- HCLOCK: AHB Clock, managed with registers PMC_SCER, PMC_SCDR and PMC_SCSR of PMC System Clock
- PCLOCK: APB Clock, managed with registers PMC_PCER, PMC_PCDR, PMC_PCSR and PMC_PCR of Peripheral Clock
- HCLOCK+PCLOCK: Both clock types coexist. The clock is managed with registers PMC_PCER, PMC_PCDR, PMC_PCSR and PMC_PCR of Peripheral Clock
- SYS_CLOCK: This clock cannot be disabled.
- PROC_CLOCK: The clock related to Processor Clock (PCK) and managed with registers PMC_SCDR and PMC_SCSR of PMC System Clock

Refer to [Table 8-1 Peripheral Identifiers](#) for details.

9. ARM Cortex-A5

9.1 Description

The ARM Cortex-A5 processor is a high-performance, low-power, ARM macrocell with an L1 cache subsystem that provides full virtual memory capabilities. The Cortex-A5 processor implements the ARMv7 architecture and runs 32-bit ARM instructions, 16-bit and 32-bit Thumb instructions, and 8-bit Java™ byte codes in Jazelle® state.

The *Floating-Point Unit* (FPU) supports the ARMv7 VFPv4-D16 architecture without Advanced SIMD extensions (NEON). It is tightly integrated to the Cortex-A5 processor pipeline. It provides trapless execution and is optimized for scalar operation. It can generate an Undefined instruction exception on vector instructions that enables the programmer to emulate vector capability in software. See the *Cortex-A5 Floating-Point Unit Technical Reference Manual*.

Note: All ARM publications referenced in this datasheet can be found at www.arm.com.

9.1.1 Power Management

The Cortex-A5 design supports the following main levels of power management:

- Run Mode
- Standby Mode

9.1.1.1 Run Mode

Run mode is the normal mode of operation where all of the processor functionality is available. Everything, including core logic and embedded RAM arrays, is clocked and powered up.

9.1.1.2 Standby Mode

Standby mode disables most of the clocks of the processor, while keeping it powered up. This reduces the power drawn to the static leakage current, plus a small clock power overhead required to enable the processor to wake up from Standby mode. The transition from Standby mode to Run mode is caused by one of the following:

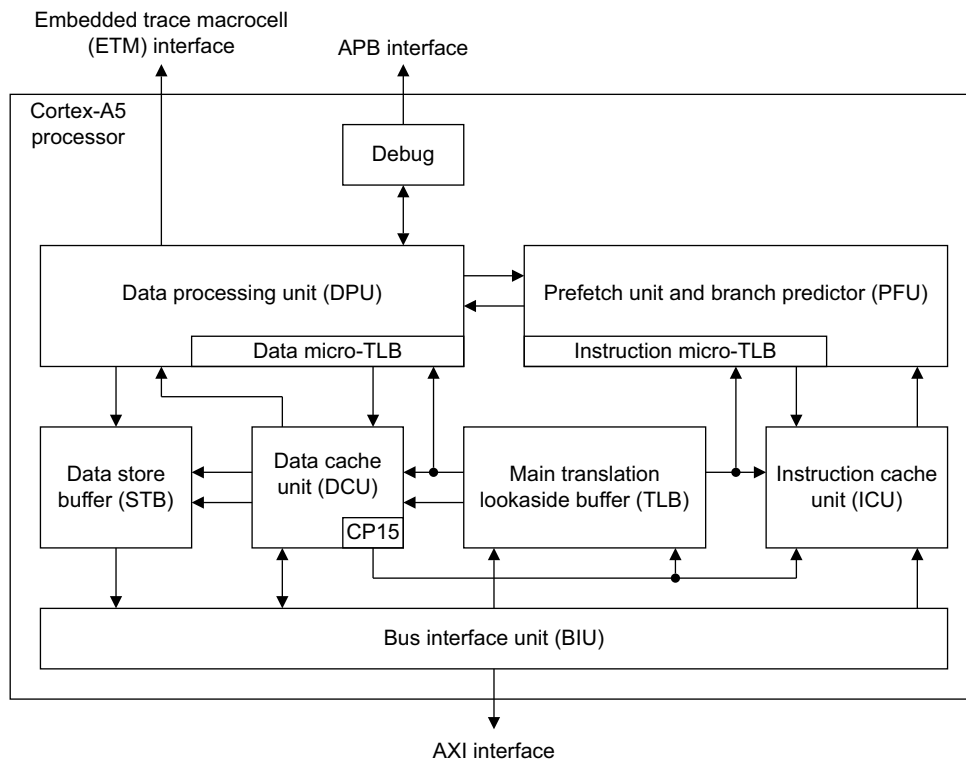
- the arrival of an interrupt, either masked or unmasked
- the arrival of an event, if standby mode was initiated by a Wait for Event (WFE) instruction
- a debug request, when either debug is enabled or disabled
- a reset.

9.2 Embedded Characteristics

- In-order pipeline with dynamic branch prediction
- ARM, Thumb, and ThumbEE instruction set support
- Harvard level 1 memory system with a Memory Management Unit (MMU)
- 32 Kbytes Data Cache
- 32 Kbytes Instruction Cache
- 64-bit AXI master interface
- ARM v7 debug architecture
- VFPv4-D16 FPU with trapless execution
- Jazelle hardware acceleration

9.3 Block Diagram

Figure 9-1: Cortex-A5 Processor Top-level Diagram



9.4 Programmer Model

9.4.1 Processor Operating Modes

The following operation modes are present in all states:

- User mode (USR) is the usual ARM program execution state. It is used for executing most application programs.
- Fast Interrupt (FIQ) mode is used for handling fast interrupts. It is suitable for high-speed data transfer or channel process.
- Interrupt (IRQ) mode is used for general-purpose interrupt handling.
- Supervisor mode (SVC) is a protected mode for the operating system.
- Abort mode (ABT) is entered after a data or instruction prefetch abort.
- System mode (SYS) is a privileged user mode for the operating system.
- Undefined mode (UND) is entered when an undefined instruction exception occurs.

Mode changes may be made under software control, or may be brought about by external interrupts or exception processing. Most application programs execute in User Mode. The non-user modes, known as privileged modes, are entered in order to service interrupts or exceptions or to access protected resources.

9.4.2 Processor Operating States

The processor has the following instruction set states controlled by the T bit and J bit in the CPSR.

- ARM state:
The processor executes 32-bit, word-aligned ARM instructions.
- Thumb state:
The processor executes 16-bit and 32-bit, halfword-aligned Thumb instructions.
- ThumbEE state:

The processor executes a variant of the Thumb instruction set designed as a target for dynamically generated code. This is code compiled on the device either shortly before or during execution from a portable bytecode or other intermediate or native representation.

- Jazelle state:

The processor executes variable length, byte-aligned Java bytecodes.

The J bit and the T bit determine the instruction set used by the processor. [Table 9-1](#) shows the encoding of these bits.

Table 9-1: CPSR J and T Bit Encoding

J	T	Instruction Set State
0	0	ARM
0	1	Thumb
1	0	Jazelle
1	1	ThumbEE

Changing between ARM and Thumb states does not affect the processor mode or the register contents. See the *ARM Architecture Reference Manual, ARMv7-A and ARMv7-R edition* for information on entering and exiting ThumbEE state.

9.4.2.1 Switching State

It is possible to change the instruction set state of the processor between:

- ARM state and Thumb state using the BX and BLX instructions.
- Thumb state and ThumbEE state using the ENTERX and LEAVEX instructions.
- ARM and Jazelle state using the BXJ instruction.
- Thumb and Jazelle state using the BXJ instruction.

See the *ARM Architecture Reference Manual* for more information about changing instruction set state.

9.4.3 Cortex-A5 Registers

This view provides 16 ARM core registers, R0 to R15, that include the Stack Pointer (SP), Link Register (LR), and Program Counter (PC). These registers are selected from a total set of either 31 or 33 registers, depending on whether or not the Security Extensions are implemented. The current execution mode determines the selected set of registers, as shown in [Table 9-2](#). This shows that the arrangement of the registers provides duplicate copies of some registers, with the current register selected by the execution mode. This arrangement is described as banking of the registers, and the duplicated copies of registers are referred to as banked registers.

Table 9-2: Cortex-A5 Modes and Registers Layout

User and System	Monitor	Supervisor	Abort	Undefined	Interrupt	Fast Interrupt
R0	R0	R0	R0	R0	R0	R0
R1	R1	R1	R1	R1	R1	R1
R2	R2	R2	R2	R2	R2	R2
R3	R3	R3	R3	R3	R3	R3
R4	R4	R4	R4	R4	R4	R4
R5	R5	R5	R5	R5	R5	R5
R6	R6	R6	R6	R6	R6	R6
R7	R7	R7	R7	R7	R7	R7
R8	R8	R8	R8	R8	R8	R8_FIQ
R9	R9	R9	R9	R9	R9	R9_FIQ
R10	R10	R10	R10	R10	R10	R10_FIQ
R11	R11	R11	R11	R11	R11	R11_FIQ

SAMA5D3 SERIES

Table 9-2: Cortex-A5 Modes and Registers Layout (Continued)

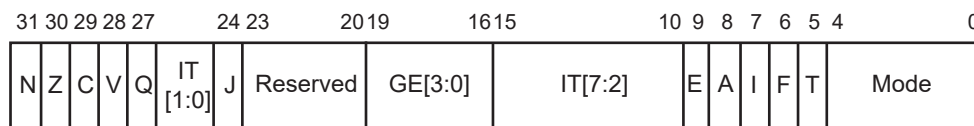
User and System	Monitor	Supervisor	Abort	Undefined	Interrupt	Fast Interrupt
R12	R12	R12	R12	R12	R12	R12_FIQ
R13	R13_MON	R13_SVC	R13_ABT	R13_UND	R13_IRQ	R13_FIQ
R14	R14_MON	R14_SVC	R14_ABT	R14_UND	R14_IRQ	R14_FIQ
PC	PC	PC	PC	PC	PC	PC
CPSR	CPSR	CPSR	CPSR	CPSR	CPSR	CPSR
	SPSR_MON	SPSR_SVC	SPSR_ABT	SPSR_UND	SPSR_IRQ	SPSR_FIQ

	Mode-specific banked registers
--	--------------------------------

The core contains one CPSR, and six SPSRs for exception handlers to use. The program status registers:

- hold information about the most recently performed ALU operation
- control the enabling and disabling of interrupts
- set the processor operation mode

Figure 9-2: Status Register Format



- N: Negative, Z: Zero, C: Carry, and V: Overflow are the four ALU flags
- Q: cumulative saturation flag
- IT: If-Then execution state bits for the Thumb IT (If-Then) instruction
- J: Jazelle bit, see the description of the T bit
- GE: Greater than or Equal flags, for SIMD instructions
- E: Endianness execution state bit. Controls the load and store endianness for data accesses. This bit is ignored by instruction fetches.
 - E = 0: Little endian operation
 - E = 1: Big endian operation
- A: Asynchronous abort disable bit. Used to mask asynchronous aborts.
- I: Interrupt disable bit. Used to mask IRQ interrupts.
- F: Fast interrupt disable bit. Used to mask FIQ interrupts.
- T: Thumb execution state bit. This bit and the J execution state bit, bit [24], determine the instruction set state of the processor, ARM, Thumb, Jazelle, or ThumbEE.
- Mode: five bits to encode the current processor mode. The effect of setting M[4:0] to a reserved value is UNPREDICTABLE.

Table 9-3: Processor Mode vs. Mode Field

Mode	M[4:0]
USR	10000
FIQ	10001
IRQ	10010
SVC	10011
ABT	10111

Table 9-3: Processor Mode vs. Mode Field

Mode	M[4:0]
UND	11011
SYS	11111
Reserved	Other

9.4.3.1 CP15 Coprocessor

Coprocessor 15, or System Control Coprocessor CP15, is used to configure and control all the items in the list below:

- Cortex A5
- Caches (ICache, DCache and write buffer)
- MMU
- Security
- Other system options

To control these features, CP15 provides 16 additional registers. See [Table 9-4](#).

Table 9-4: CP15 Registers

Register	Name	Read/Write
0	ID Code ⁽¹⁾	Read/Unpredictable
0	Cache type ⁽¹⁾	Read/Unpredictable
1	Control ⁽¹⁾	Read/Write
1	Security ⁽¹⁾	Read/Write
2	Translation Table Base	Read/Write
3	Domain Access Control	Read/Write
4	Reserved	None
5	Data fault Status ⁽¹⁾	Read/Write
5	Instruction fault status	Read/Write
6	Fault Address	Read/Write
7	Cache and MMU Operations ⁽¹⁾	Read/Write
8	TLB operations	Unpredictable/Write
9	Cache lockdown ⁽¹⁾	Read/Write
10	TLB lockdown	Read/Write
11	Reserved	None
12	Interrupts management	Read/Write
13	FCSE PID ⁽¹⁾	Read/Write
13	Context ID ⁽¹⁾	Read/Write
14	Reserved	None
15	Test configuration	Read/Write

Note 1: This register provides access to more than one register. The register accessed depends on the value of the CRm field or Opcode_2 field.

SAMA5D3 SERIES

9.4.4 CP 15 Register Access

CP15 registers can only be accessed in privileged mode by:

- MCR (Move to Coprocessor from ARM Register) instruction is used to write an ARM register to CP15.
- MRC (Move to ARM Register from Coprocessor) instruction is used to read the value of CP15 to an ARM register.

Other instructions such as CDP, LDC, STC can cause an undefined instruction exception.

The assembler code for these instructions is:

```
MCR/MRC{cond} p15, opcode_1, Rd, CRn, CRm, opcode_2.
```

The MCR/MRC instructions bit pattern is shown below:

31	30	29	28	27	26	25	24
cond				1	1	1	0
23	22	21	20	19	18	17	16
opcode_1			L	CRn			
15	14	13	12	11	10	9	8
Rd				1	1	1	1
7	6	5	4	3	2	1	0
opcode_2			1	CRm			

CRm[3:0]: Specified Coprocessor Action

Determines specific coprocessor action. Its value is dependent on the CP15 register used. For details, refer to CP15 specific register behavior.

opcode_2[7:5]

Determines specific coprocessor operation code. By default, set to 0.

Rd[15:12]: ARM Register

Defines the ARM register whose value is transferred to the coprocessor. If R15 is chosen, the result is unpredictable.

CRn[19:16]: Coprocessor Register

Determines the destination coprocessor register.

L: Instruction Bit

0: MCR instruction

1: MRC instruction

opcode_1[23:20]: Coprocessor Code

Defines the coprocessor specific code. Value is c15 for CP15.

cond [31:28]: Condition

9.4.5 Addresses in the Cortex-A5 processor

The Cortex-A5 processor operates using *virtual addresses* (VAs). The *Memory Management Unit* (MMU) translates these VAs into the *physical addresses* (PAs) used to access the memory system. Translation tables hold the mappings between VAs and PAs.

See the *ARM Architecture Reference Manual, ARMv7-A and ARMv7-R edition* for more information.

When the Cortex-A5 processor is executing in Non-secure state, the processor performs translation table look-ups using the Non-secure versions of the Translation Table Base Registers. In this situation, any VA can only translate into a Non-secure PA. When it is in Secure state, the Cortex-A5 processor performs translation table look-ups using the Secure versions of the Translation Table Base Registers. In this situation, the security state of any VA is determined by the NS bit of the translation table descriptors for that address.

Following is an example of the address manipulation that occurs when the Cortex-A5 processor requests an instruction:

1. The Cortex-A5 processor issues the VA of the instruction as Secure or Non-secure VA accesses according to the state the processor is in.
2. The instruction cache is indexed by the bits of the VA. The MMU performs the translation table look-up in parallel with the cache access. If the processor is in the Secure state it uses the Secure translation tables, otherwise it uses the Non-secure translation tables.
3. If the protection check carried out by the MMU on the VA does not abort and the PA tag is in the instruction cache, the instruction data is returned to the processor.
4. If there is a cache miss, the MMU passes the PA to the AXI bus interface to perform an external access. The external access is always Non-secure when the core is in the Non-secure state. In the Secure state, the external access is Secure or Non-secure according to the NS attribute value in the selected translation table entry. In Secure state, both L1 and L2 translation table walk accesses are marked as Secure, even if the first level descriptor is marked as NS.

9.5 Memory Management Unit

9.5.1 About the MMU

The MMU works with the L1 and L2 memory system to translate virtual addresses to physical addresses. It also controls accesses to and from external memory.

The ARM v7 Virtual Memory System Architecture (VMSA) features include the following:

- Page table entries that support:
 - 16 Mbyte supersections. The processor supports supersections that consist of 16 Mbyte blocks of memory.
 - 1 Mbyte sections
 - 64 Kbyte large pages
 - 4 Kbyte small pages
- 16 access domains
- Global and application-specific identifiers to remove the requirement for context switch TLB flushes.
- Extended permissions checking capability.

TLB maintenance and configuration operations are controlled through a dedicated coprocessor, CP15, integrated with the core. This coprocessor provides a standard mechanism for configuring the L1 memory system.

See the *ARM Architecture Reference Manual, ARMv7-A and ARMv7-R edition* for a full architectural description of the ARMv7 VMSA.

9.5.2 Memory Management System

The Cortex-A5 processor supports the ARM v7 VMSA. The translation of a Virtual Address (VA) used by the instruction set architecture to a Physical Address (PA) used in the memory system and the management of the associated attributes and permissions is carried out using a two-level MMU.

The first level MMU uses a Harvard design with separate micro TLB structures in the PFU for instruction fetches (IuTLB) and in the DPU for data read and write requests (DuTLB).

A miss in the micro TLB results in a request to the main unified TLB shared between the data and instruction sides of the memory system. The TLB consists of a 128-entry two-way set-associative RAM based structure. The TLB page-walk mechanism supports page descriptors held in the L1 data cache. The caching of page descriptors is configured globally for each translation table base register, TTBRx, in the system coprocessor, CP15.

The TLB contains a hitmap cache of the page types which have already been stored in the TLB.

SAMA5D3 SERIES

9.5.2.1 Memory Types

Although various different memory types can be specified in the page tables, the Cortex-A5 processor does not implement all possible combinations:

- Write-through caches are not supported. Any memory marked as write-through is treated as Non-cacheable.
- The outer shareable attribute is not supported. Anything marked as outer shareable is treated in the same way as inner shareable.
- Write-back no write-allocate is not supported. It is treated as write-back write-allocate.

Table 9-5 shows the treatment of each different memory type in the Cortex-A5 processor in addition to the architectural requirements.

Table 9-5: Treatment of Memory Attributes

Memory Type Attribute	Shareability	Other Attributes	Notes
Strongly Ordered	—	—	—
Device	Non-shareable	—	—
	Shareable	—	—
Normal	Non-shareable	Non-cacheable	Does not access L1 caches
		Write-through cacheable	Treated as non-cacheable
		Write-back cacheable, write allocate	Can dynamically switch to no write allocate, if more than three full cache lines are written in succession
		Write-back cacheable, no write allocate	Treated as non-shareable write-back cacheable, write allocate
	Inner shareable	Non-cacheable	—
		Write-through cacheable	Treated as inner shareable non-cacheable
		Write-back cacheable, write allocate	Treated as inner shareable non-cacheable unless the SMP bit in the Auxiliary Control Register is set (ACTLR[6] = b1). If this bit is set the area is treated as write-back cacheable write allocate.
		Write-back cacheable, no write allocate	Treated as inner shareable non-cacheable unless the SMP bit in the Auxiliary Control Register is set (ACTLR[6] = b1). If this bit is set the area is treated as write-back cacheable write allocate.
	Outer shareable	Non-cacheable	—
		Write-through cacheable	Treated as inner shareable non-cacheable
		Write-back cacheable, write allocate	Treated as inner shareable non-cacheable unless the SMP bit in the Auxiliary Control Register is set (ACTLR[6] = b1). If this bit is set the area is treated as write-back cacheable write allocate.
		Write-back cacheable, no write allocate	Treated as inner shareable non-cacheable unless the SMP bit in the Auxiliary Control Register is set (ACTLR[6] = b1). If this bit is set the area is treated as write-back cacheable write allocate.

9.5.3 TLB Organization

TLB Organization is described in the sections that follow:

- [Micro TLB](#)
- [Main TLB](#)

9.5.3.1 Micro TLB

The first level of caching for the page table information is a micro TLB of 10 entries that is implemented on each of the instruction and data sides. These blocks provide a lookup of the virtual addresses in a single cycle.

The micro TLB returns the physical address to the cache for the address comparison, and also checks the access permissions to signal either a Prefetch Abort or a Data Abort.

All main TLB related maintenance operations affect both the instruction and data micro TLBs, causing them to be flushed. In the same way, any change of the following registers causes the micro TLBs to be flushed:

- Context ID Register (CONTEXTIDR)
- Domain Access Control Register (DACR)
- Primary Region Remap Register (PRRR)

- Normal Memory Remap Register (NMRR)
- Translation Table Base Registers (TTBR0 and TTBR1)

9.5.3.2 Main TLB

Misses from the instruction and data micro TLBs are handled by a unified main TLB. Accesses to the main TLB take a variable number of cycles, according to competing requests from each of the micro TLBs and other implementation-dependent factors.

The main TLB is 128-entry two-way set-associative.

TLB match process

Each TLB entry contains a virtual address, a page size, a physical address, and a set of memory properties. Each is marked as being associated with a particular application space (ASID), or as global for all application spaces. The CONTEXTIDR determines the currently selected application space.

A TLB entry matches when these conditions are true:

- Its virtual address matches that of the requested address.
- Its Non-secure TLB ID (NSTID) matches the Secure or Non-secure state of the MMU request.
- Its ASID matches the current ASID in the CONTEXTIDR or is global.

The operating system must ensure that, at most, one TLB entry matches at any time. The TLB can store entries based on the following block sizes:

Supersections	Describe 16 Mbyte blocks of memory
Sections	Describe 1 Mbyte blocks of memory
Large pages	Describe 64 Kbyte blocks of memory
Small pages	Describe 4 Kbyte blocks of memory

Supersections, sections and large pages are supported to permit mapping of a large region of memory while using only a single entry in the TLB. If no mapping for an address is found within the TLB, then the translation table is automatically read by hardware and a mapping is placed in the TLB.

9.5.4 Memory Access Sequence

When the processor generates a memory access, the MMU:

1. Performs a lookup for the requested virtual address and current ASID and security state in the relevant instruction or data micro TLB.
2. If there is a miss in the micro TLB, performs a lookup for the requested virtual address and current ASID and security state in the main TLB.
3. If there is a miss in main TLB, performs a hardware translation table walk.

The MMU can be configured to perform hardware translation table walks in cacheable regions by setting the IRGN bits in Translation Table Base Register 0 and Translation Table Base Register 1. If the encoding of the IRGN bits is write-back, an L1 data cache lookup is performed and data is read from the data cache. If the encoding of the IRGN bits is write-through or non-cacheable, an access to external memory is performed. For more information refer to: *Cortex-A5 Technical Reference Manual*.

The MMU might not find a global mapping, or a mapping for the currently selected ASID, with a matching Non-secure TLB ID (NSTID) for the virtual address in the TLB. In this case, the hardware does a translation table walk if the translation table walk is enabled by the PD0 or PD1 bit in the Translation Table Base Control Register. If translation table walks are disabled, the processor returns a Section Translation fault. For more information refer to: *Cortex-A5 Technical Reference Manual*.

If the TLB finds a matching entry, it uses the information in the entry as follows:

1. The access permission bits and the domain determine if the access is enabled. If the matching entry does not pass the permission checks, the MMU signals a memory abort. See the *ARM Architecture Reference Manual, ARMv7-A and ARMv7-R edition* for a description of access permission bits, abort types and priorities, and for a description of the Instruction Fault Status Register (IFSR) and Data Fault Status Register (DFSR).
2. The memory region attributes specified in both the TLB entry and the CP15 c10 remap registers determine if the access is
 - Secure or Non-secure
 - Shared or not
 - Normal memory, Device, or Strongly-ordered

SAMA5D3 SERIES

For more information refer to: *Cortex-A5 Technical Reference Manual*, Memory region remap.

3. The TLB translates the virtual address to a physical address for the memory access.

9.5.5 Interaction with Memory System

The MMU can be enabled or disabled as described in the *ARM Architecture Reference Manual, ARMv7-A and ARMv7-R edition*.

9.5.6 External Aborts

External memory errors are defined as those that occur in the memory system rather than those that are detected by the MMU. External memory errors are expected to be extremely rare. External aborts are caused by errors flagged by the AXI interfaces when the request goes external to the Cortex-A5 processor. External aborts can be configured to trap to Monitor mode by setting the EA bit in the Secure Configuration Register. For more information refer to: *Cortex-A5 Technical Reference Manual*.

9.5.6.1 External Aborts on Data Write

Externally generated errors during a data write can be asynchronous. This means that the r14_abt on entry into the abort handler on such an abort might not hold the address of the instruction that caused the exception.

The DFAR is Unpredictable when an asynchronous abort occurs.

Externally generated errors during data read are always synchronous. The address captured in the DFAR matches the address which generated the external abort.

9.5.6.2 Synchronous and Asynchronous Aborts

Chapter 4, System Control in the *Cortex-A5 Technical Reference Manual* describes synchronous and asynchronous aborts, their priorities, and the IFSR and DFAR. To determine a fault type, read the DFAR for a data abort or the IFSR for an instruction abort.

The processor supports an Auxiliary Fault Status Register for software compatibility reasons only. The processor does not modify this register because of any generated abort.

9.5.7 MMU Software Accessible Registers

The system control coprocessor registers, CP15, in conjunction with page table descriptors stored in memory, control the MMU.

Access all the registers with instructions of the form:

MRC p15, 0, <Rd>, <CRn>, <CRm>, <Opcode_2>

MCR p15, 0, <Rd>, <CRn>, <CRm>, <Opcode_2>

CRn is the system control coprocessor register. Unless specified otherwise, CRm and Opcode_2 Should Be Zero.

10. Debug and Test

10.1 Description

The device features a number of complementary debug and test capabilities.

A common JTAG/ICE (In-Circuit Emulator) port is used for standard debugging functions, such as downloading code and single-stepping through programs.

A 2-pin debug port Serial Wire Debug (SWD) replaces the 5-pin JTAG port and provides an easy and risk free alternative to JTAG as the two signals SWDIO and SWCLK are overlaid on the TMS and TCK pins, allowing for bi-modal devices that provide the other JTAG signals. These extra JTAG pins can be switched to other uses when in SWD mode.

The Debug Unit provides a two-pin UART that can be used to upload an application into internal SRAM. It manages the interrupt handling of the internal COMMTX and COMMRX signals that trace the activity of the Debug Communication Channel.

A set of dedicated debug and test input/output pins gives direct access to these capabilities from a PC-based test environment.

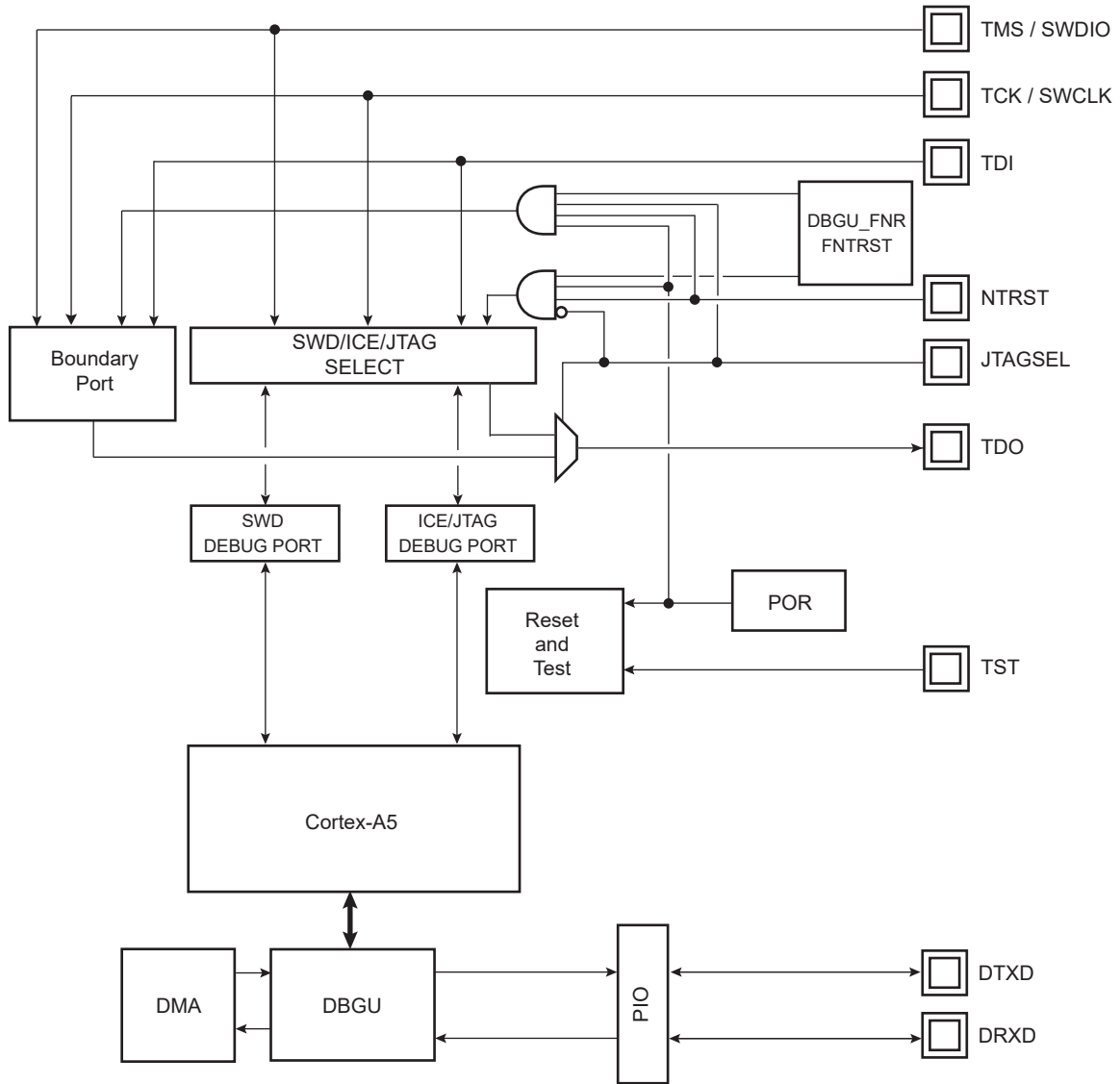
10.2 Embedded Characteristics

- Cortex-A5 Real-time In-circuit Emulator
 - Two real-time Watchpoint Units
 - Two Independent Registers: Debug Control Register and Debug Status Register
 - Test Access Port Accessible through JTAG Protocol
 - Debug Communications Channel
 - Serial Wire Debug
- Debug Unit
 - Two-pin UART
 - Debug Communication Channel Interrupt Handling
 - Chip ID Register
- IEEE1149.1 JTAG Boundary-scan on All Digital Pins

SAMA5D3 SERIES

10.3 Block Diagram

Figure 10-1: Debug and Test Block Diagram

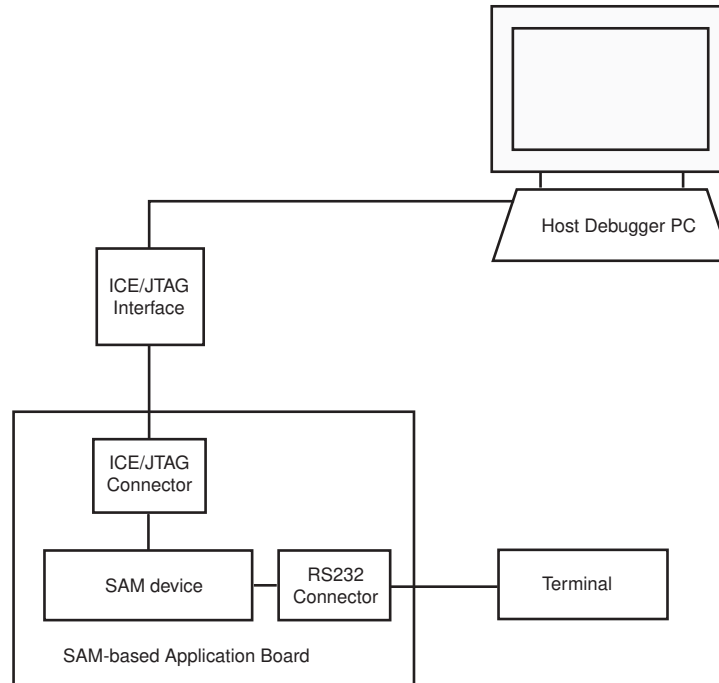


10.4 Application Examples

10.4.1 Debug Environment

Figure 10-2 shows a complete debug environment example. The ICE/JTAG interface is used for standard debugging functions, such as downloading code and single-stepping through the program. A software debugger running on a personal computer provides the user interface for configuring a Trace Port interface utilizing the ICE/JTAG interface.

Figure 10-2: Application Debug and Trace Environment Example

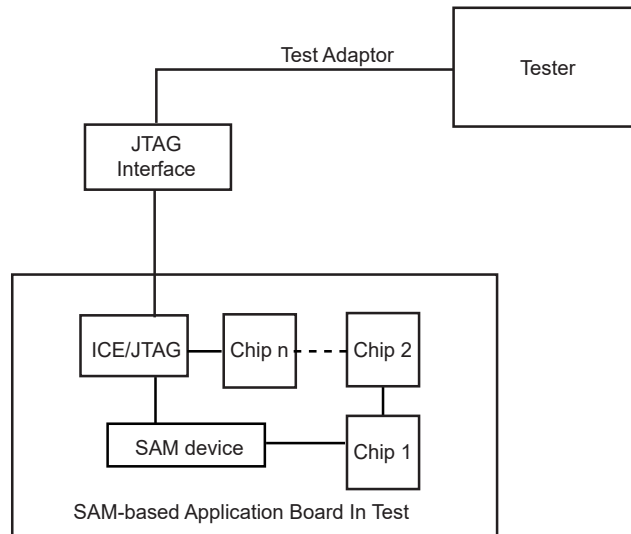


SAMA5D3 SERIES

10.4.2 Test Environment

Figure 10-3 shows a test environment example. Test vectors are sent and interpreted by the tester. In this example, the “board in test” is designed using a number of JTAG-compliant devices. These devices can be connected to form a single scan chain.

Figure 10-3: Application Test Environment Example



10.5 Debug and Test Pin Description

Table 10-1: Debug and Test Pin List

Pin Name	Function	Type	Active Level
Reset/Test			
NRST	Microcontroller Reset	Input/Output	Low
TST	Test Mode Select	Input	High
ICE and JTAG			
NTRST	Test Reset Signal	Input	Low
TCK	Test Clock	Input	–
TDI	Test Data In	Input	–
TDO	Test Data Out	Output	–
TMS	Test Mode Select	Input	–
JTAGSEL	JTAG Selection	Input	–
SWD			
SWCLK	Serial Debug Clock	Input	–
SWDIO	Serial Debug IO	Input/Output	–
Debug Unit			
DRXD	Debug Receive Data	Input	–
DTXD	Debug Transmit Data	Output	–

SAMA5D3 SERIES

10.6 Functional Description

10.6.1 Test Pin

One dedicated pin, TST, is used to define the device operating mode. The user must make sure that this pin is tied at low level to ensure normal operating conditions. Other values associated with this pin are reserved for manufacturing test.

10.6.2 EmbeddedICE

The Cortex-A5 EmbeddedICE-RT™ is supported via the ICE/JTAG port. It is connected to a host computer via an ICE interface. The internal state of the Cortex-A5 is examined through an ICE/JTAG port which allows instructions to be serially inserted into the pipeline of the core without using the external data bus. Therefore, when in debug state, a store-multiple (STM) can be inserted into the instruction pipeline. This exports the contents of the Cortex-A5 registers. This data can be serially shifted out without affecting the rest of the system.

There are two scan chains inside the Cortex-A5 processor which support testing, debugging, and programming of the EmbeddedICE-RT. The scan chains are controlled by the ICE/JTAG port.

EmbeddedICE mode is selected when JTAGSEL is low. It is not possible to switch directly between ICE and JTAG operations. A chip reset must be performed after JTAGSEL is changed.

For further details on the EmbeddedICE-RT, see the ARM document:

ARM IHI 0031A_ARM_debug_interface_v5.pdf

10.6.3 JTAG Signal Description

TMS is the Test Mode Select input which controls the transitions of the test interface state machine.

TDI is the Test Data Input line which supplies the data to the JTAG registers (Boundary Scan Register, Instruction Register, or other data registers).

TDO is the Test Data Output line which is used to serially output the data from the JTAG registers to the equipment controlling the test. It carries the sampled values from the boundary scan chain (or other JTAG registers) and propagates them to the next chip in the serial test circuit.

NTRST (optional in IEEE Standard 1149.1) is a Test-ReSeT input which is mandatory in ARM cores and used to reset the debug logic. On Microchip Cortex-A5-based cores, NTRST is a Power On Reset output. It is asserted on power on. If necessary, the user can also reset the debug logic with the NTRST pin assertion during 2.5 MCK periods.

TCK is the Test Clock input which enables the test interface. TCK is pulsed by the equipment controlling the test and not by the tested device. It can be pulsed at any frequency.

10.6.4 Chip Access Using JTAG Connection

The JTAG connection is not enabled by default on this chip at delivery due to the secure ROM code implementation.

By default, the SAMA5D3 devices boot in Standard mode and not in Secure mode. When the secure ROM code starts, it disables the JTAG access for the entire boot sequence.

If the secure ROM code does not find any program in the external memory, it enables the USB connection and the serial port and waits for a dedicated command to switch the chip into Secure mode.

If any other character is received, the secure ROM code starts the standard SAM-BA® monitor, locks access to the ROM memory, and enables the JTAG.

The chip can then be accessed using the JTAG connection.

If the secure ROM code finds a bootable program, it automatically disables ROM access and enables the JTAG connection just before launching the program.

The procedure to enable JTAG access is as follows:

- Connect your computer to the board with JTAG and USB (J20 USB-A)
- Power on the chip
- Open a terminal console (TeraTerm or HyperTerminal, etc.) on your computer and connect to the USB CDC Serial COM port related to the J20 connector on the board
- Send the '#' character. You will see then the prompt '>' character sent by the device (indicating that the Standard SAM-BA Monitor is running)
- Use the Standard SAM-BA Monitor to connect to the chip with JTAG

Note that you don't need to follow this sequence in order to connect the Standard SAM-BA Monitor with USB.

10.6.5 Debug Unit

The Debug Unit provides a two-pin (DXRD and TXRD) USART that can be used for several debug and trace purposes and offers an ideal means for in-situ programming solutions and debug monitor communication. Moreover, the association with two peripheral data controller channels permits packet handling of these tasks with processor time reduced to a minimum.

The Debug Unit also manages the interrupt handling of the COMMTX and COMMRX signals that come from the ICE and that trace the activity of the Debug Communication Channel. The Debug Unit allows blockage of access to the system through the ICE interface.

A specific register, the [Debug Unit Chip ID Register](#), gives information about the product version and its internal configuration.

For further details on the Debug Unit, see [Section 42. Debug Unit \(DBGU\)](#).

10.6.6 IEEE 1149.1 JTAG Boundary Scan

IEEE 1149.1 JTAG Boundary Scan allows pin-level access independent of the device packaging technology.

IEEE 1149.1 JTAG Boundary Scan is enabled when JTAGSEL is high. The SAMPLE, EXTEST and BYPASS functions are implemented. In ICE debug mode, the ARM processor responds with a non-JTAG chip ID that identifies the processor to the ICE system. This is not IEEE 1149.1 JTAG-compliant.

It is not possible to switch directly between JTAG and ICE operations. A chip reset must be performed after JTAGSEL is changed.

A Boundary-scan Descriptor Language (BSDL) file is provided to set up test.

SAMA5D3 SERIES

10.7 Boundary JTAG ID Register

Access: Read-only

31	30	29	28	27	26	25	24
VERSION				PART NUMBER			
23	22	21	20	19	18	17	16
PART NUMBER							
15	14	13	12	11	10	9	8
PART NUMBER				MANUFACTURER IDENTITY			
7	6	5	4	3	2	1	0
MANUFACTURER IDENTITY							1

VERSION[31:28]: Product Version Number

Set to 0x0.

PART NUMBER[27:12]: Product Part Number

Product part Number is 0x5B31

MANUFACTURER IDENTITY[11:1]

Set to 0x01F.

Bit[0] required by IEEE Std. 1149.1.

Set to 0x1.

JTAG ID Code value is 0x05B3_103F.

10.8 Cortex-A5 Debug Port Identification Code Register IDCODE

The Identification Code Register is always present on all debug port implementations. It provides identification information about the ARM Debug Interface.

10.8.1 JTAG Debug Port (JTAG-DP)

It is accessed using its own scan chain.

10.8.2 JTAG-DP Device ID Code Register

Access: Read-only

31	30	29	28	27	26	25	24
VERSION				PART NUMBER			
23	22	21	20	19	18	17	16
PART NUMBER							
15	14	13	12	11	10	9	8
PART NUMBER				DESIGNER			
7	6	5	4	3	2	1	0
DESIGNER							1

VERSION[31:28]: Product Version Number

Set to 0x0.

PART NUMBER[27:12]: Product Part Number

Product part number is 0xBA00

DESIGNER[11:1]

Set to 0x23B.

Bit[0] required by IEEE Std. 1149.1.

Set to 0x1.

Cortex-A5 JTAG-DP IDCODE value is 0x0BA0_0477

SAMA5D3 SERIES

10.8.3 Serial Wire Debug Port (SW-DP)

It is at address 0x0 on read operations when the APnDP bit = 0. Access to the Identification Code Register is not affected by the value of the CTRLSEL bit in the Select Register.

Access: Read-only

31	30	29	28	27	26	25	24
VERSION				PART NUMBER			
23	22	21	20	19	18	17	16
PART NUMBER							
15	14	13	12	11	10	9	8
PART NUMBER				DESIGNER			
7	6	5	4	3	2	1	0
DESIGNER							1

VERSION[31:28]: Product Version Number

Set to 0x0.

PART NUMBER[27:12]: Product Part Number

Product part Number is 0xBA01

DESIGNER[11:1]

Set to 0x23B.

Bit[0] required by IEEE Std. 1149.1.

Set to 0x1.

Cortex-A5 SW-DP IDC CODE is 0x0BA0_1477

11. Standard Boot Strategies

11.1 Description

The system always boots from the ROM memory at address 0x0.

The ROM code is a boot program contained in the embedded ROM. It is also called “First level bootloader”.

This microcontroller can be configured to run a Standard Boot mode or a Secure Boot mode. More information on how the Secure Boot mode can be enabled, and how the chip operates in this mode, is provided in the application note “SAMA5D3x Secure Boot Strategy”, literature number 11165 (NDA required). To obtain this application note and additional information about the secure boot and related tools, contact your local Microchip sales office. Note that a PGP key is required for delivery.

By default, the chip starts in Standard Boot Mode.

Note: JTAG access is disabled during the execution of ROM Code Sequence. It is re-enabled when jumping into SRAM when a valid code has been found on an external NVM, in the same time the ROM memory is hidden. If no valid boot has been found on an external NVM, the ROM Code enables the USB connection and the DBGU serial port, and then waits for a special command to set the chip in Secure mode. If any other character is received, the ROM code starts the standard SAM-BA monitor, locks access to the ROM memory and re-enables the JTAG connection.

The user can choose to boot from an external NOR Flash memory using the BMS pin. The sampling of the BMS pin is done by hardware at reset, and the result is available in the BMS bit of the SFR_EBICFG register.

The first step of the ROM code program is to check the state of this pin by reading this register.

If BMS signal is tied to 0, the BMS bit is read at 0.

The ROM code allows execution of the code contained in the memory connected to Chip Select 0 of the External Bus Interface.

To do so, the following sequence is performed by the ROM code:

- The main clock is the on-chip 12 MHz RC oscillator.
- The Static Memory Controller is configured with timing allowing code execution in CS0 external memory at 12 MHz.
- AXI matrix is configured to remap EBI CS0 address at 0x0.
- 0x0 is loaded in the Program Counter register.

The user software in the external memory must perform the next operation in order to complete the clocks and SMC timings configuration to run at a higher clock frequency:

- Enable the 32768 Hz oscillator if best accuracy is needed.
- Reprogram the SMC setup, cycle, hold, mode timing registers for EBI CS0, to adapt them to the new clock.
- Program the PMC (Main Oscillator Enable or Bypass mode).
- Program and start the PLL.
- Switch the system clock to the new value.

If BMS signal is tied to 1, the BMS bit is read at 1.

The ROM code standard sequence is executed as follows:

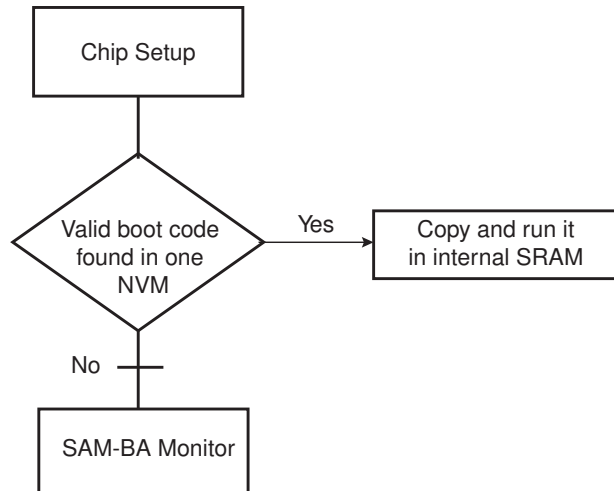
- Basic chip initialization: crystal or external clock frequency detection.
- Attempt to retrieve a valid code from external non-volatile memories (NVM).
- Execution of a monitor called SAM-BA Monitor, in case no valid application has been found on any NVM.

SAMA5D3 SERIES

11.2 Flow Diagram

The ROM code implements the algorithm shown in [Figure 11-1](#).

Figure 11-1: ROM Code Algorithm Flow Diagram



11.3 Chip Setup

At boot start-up, the processor clock (PCK) and the master clock (MCK) source is the 12 MHz fast RC oscillator.

Initialization follows the steps described below:

1. **Stack Setup** for ARM supervisor mode
2. **Main Oscillator Detection:** The Main Clock is switched to the 32 kHz RC oscillator to allow external clock frequency to be measured. Then the Main Oscillator is enabled and set in the bypass mode. If the MOSCSELS bit rises, an external clock is connected, and the next step is Main Clock Selection (3). If not, the bypass mode is cleared to attempt external quartz detection. This detection is successful when the MOSCXTS and MOSCSELS bits rise, else the internal 12 MHz fast RC oscillator is used as the Main Clock.
3. **Main Clock Selection:** The Master Clock source is switched from the Slow Clock to the Main Oscillator without prescaler. The PMC Status Register is polled to wait for MCK Ready. PCK and MCK are now the Main Clock.
4. **C Variable Initialization:** Non zero-initialized data is initialized in the RAM (copy from ROM to RAM). Zero-initialized data is set to 0 in the RAM.
5. **PLLA Initialization:** PLLA is configured to get a PCK at 96 MHz and an MCK at 48 MHz. If an external clock or crystal frequency running at 12, 16, 24 or 48 MHz is found, then the PLLA is configured to allow communication on the USB link for the SAM-BA Monitor; else the Main Clock is switched to the internal 12 MHz fast RC oscillator, but USB will not be activated.

11.4 NVM Boot

11.4.1 NVM Boot Sequence

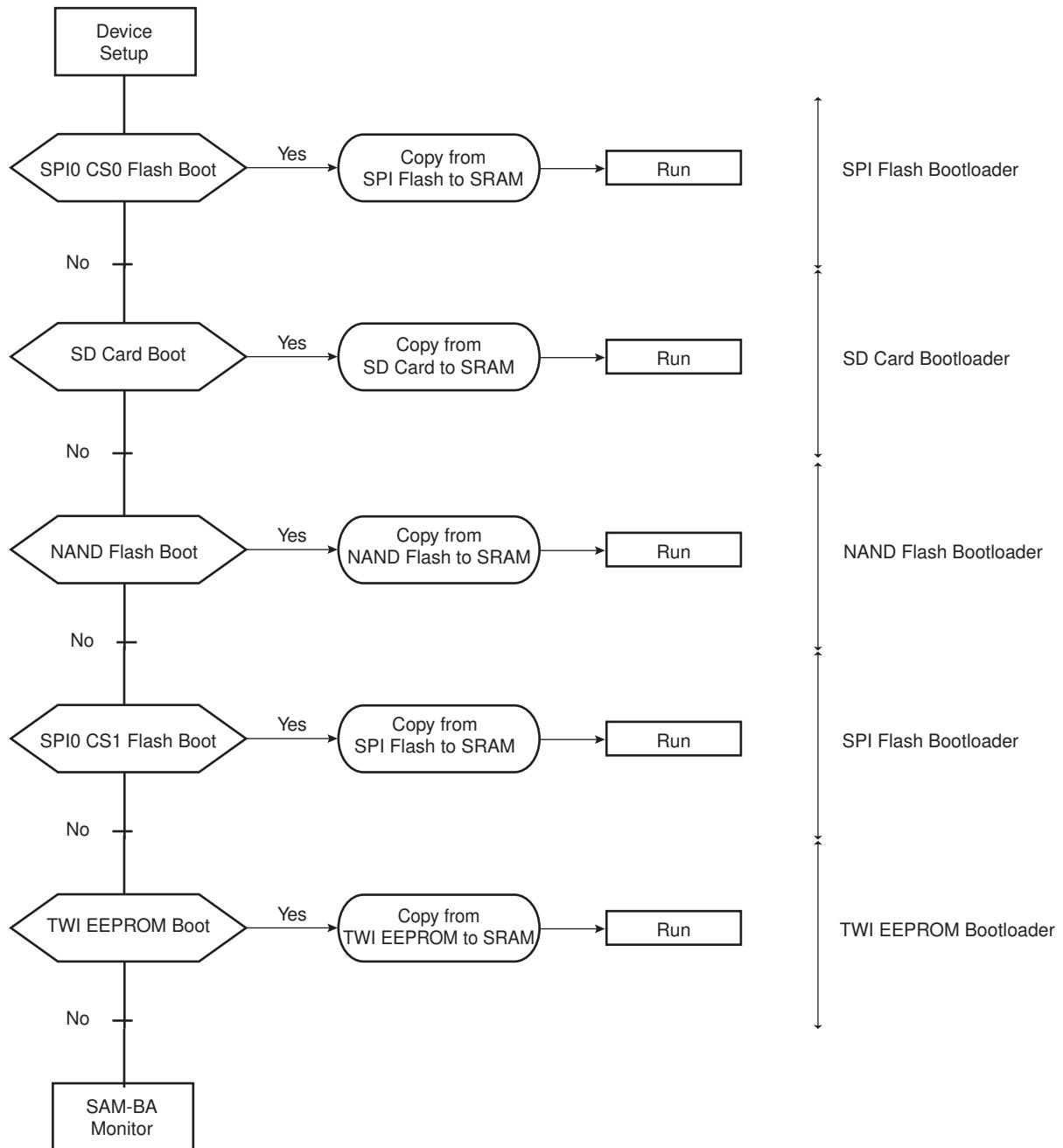
The boot sequence on external memory devices can be controlled using the Boot Sequence Controller Configuration Register (BSC_CR). The user can then choose to bypass some steps shown in [Figure 11-2 “NVM Bootloader Sequence Diagram”](#) according to the BOOT value in the BSC_CR.

Table 11-1: Values of the Boot Sequence Controller Configuration Register

BOOT Value	SPI0 NPCS0	SD Card / eMMC (MCI0)	SD Card / eMMC (MCI1)	8-bit NAND Flash	SPI0 NPCS1	TWI EEPROM	SAM-BA Monitor
0	Y	Y	Y	Y	Y	Y	Y
1	Y	—	Y	Y	Y	Y	Y
2	Y	—	—	Y	Y	Y	Y
3	Y	—	—	—	Y	Y	Y
4	Y	—	—	—	Y	Y	Y
5	—	—	—	—	—	—	Y
6	—	—	—	—	—	—	Y
7	—	—	—	—	—	—	Y

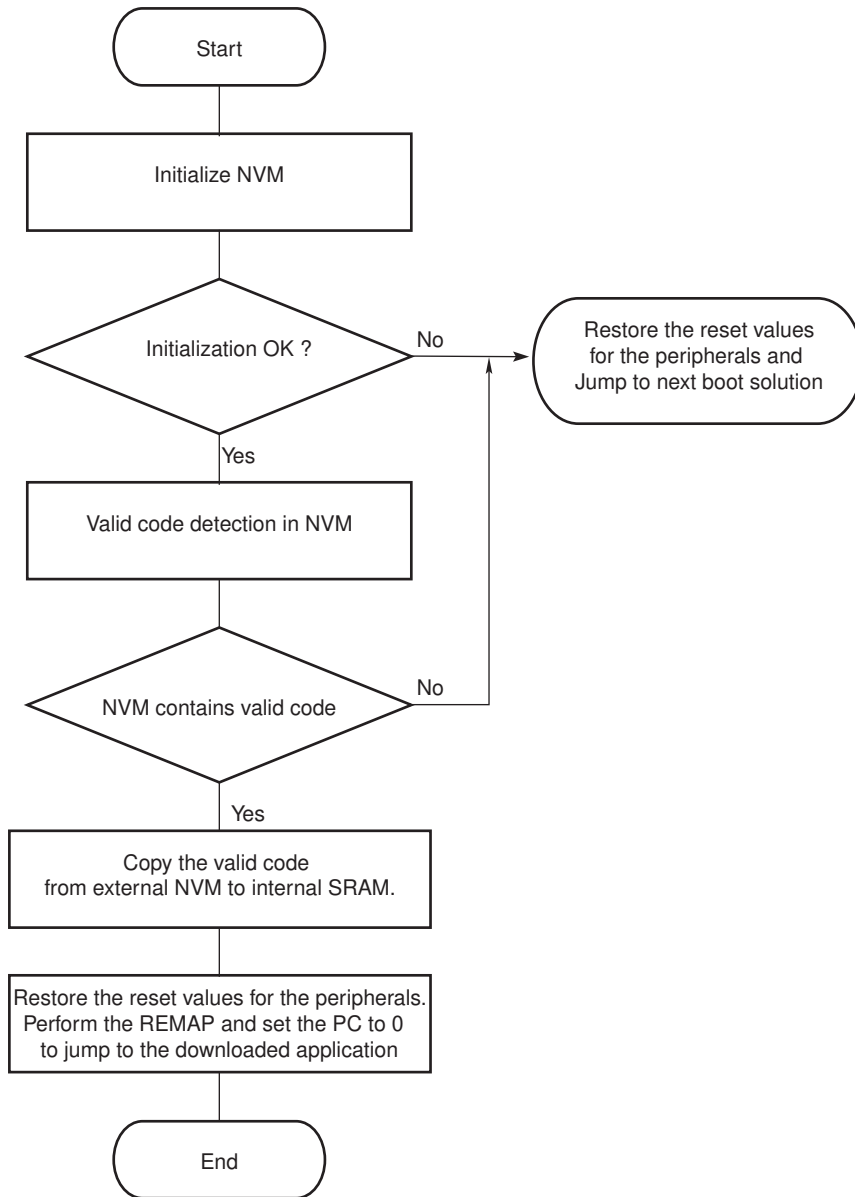
SAMA5D3 SERIES

Figure 11-2: NVM Bootloader Sequence Diagram



11.4.2 NVM Bootloader Program Description

Figure 11-3: NVM Bootloader Program Diagram



SAMA5D3 SERIES

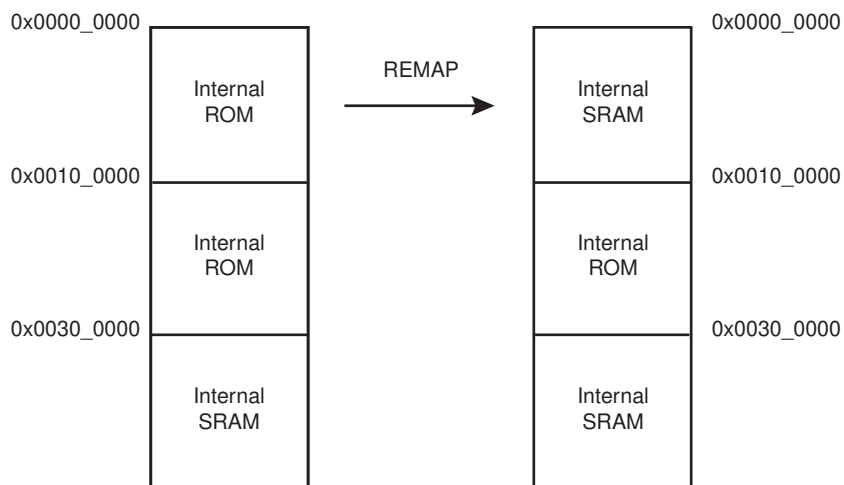
The NVM bootloader program first initializes the PIOs related to the NVM device. Then it configures the right peripheral depending on the NVM and tries to access this memory. If the initialization fails, it restores the reset values for the PIO and the peripheral, and then tries to fulfill the same operations on the next NVM of the sequence.

If the initialization is successful, the NVM bootloader program reads the beginning of the NVM and determines if the NVM contains a valid code.

If the NVM does not contain a valid code, the NVM bootloader program restores the reset value for the peripherals and then tries to fulfill the same operations on the next NVM of the sequence.

If a valid code is found, this code is loaded from the NVM into the internal SRAM and executed by branching at address 0x0000_0000 after remap. This code may be the application code or a second-level bootloader. All the calls to functions are PC relative and do not use absolute addresses.

Figure 11-4: Remap Action after Download Completion



11.4.3 Valid Code Detection

There are two kinds of valid code detection.

11.4.3.1 ARM Exception Vectors Check

The NVM bootloader program reads and analyzes the first 28 bytes corresponding to the first seven ARM exception vectors. Except for the sixth vector, these bytes must implement the ARM instructions for either branch or load PC with PC relative addressing.

Figure 11-5: LDR Opcode

31	28	27	24	23	20	19	16	15	12	11	0			
1	1	1	0	0	1	I	P	U	1	W	0	Rn	Rd	Offset

Figure 11-6: B Opcode

31	28	27	24	23	0	
1	1	1	0	1	0	Offset (24 bits)

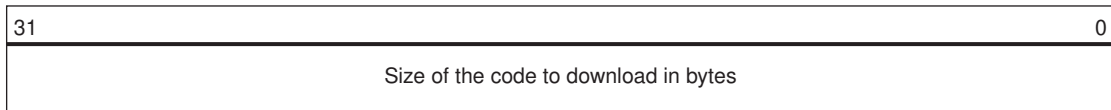
Unconditional instruction: 0xE for bits 31 to 28.

Load PC with the PC relative addressing instruction:

- Rn = Rd = PC = 0xF
- I==0 (12-bit immediate value)
- P==1 (pre-indexed)
- U offset added (U==1) or subtracted (U==0)
- W==1

The sixth vector, at the offset 0x14, contains the size of the image to download. The user must replace this vector with the user's own vector. This procedure is described below.

Figure 11-7: Structure of the ARM Vector 6



The value has to be smaller than 64 Kbytes.

Example

An example of valid vectors:

00	ea000006	B	0x20
04	ea00000e	B	0x04
08	ea00002f	B	_main
0c	ea00000e	B	0x0c
10	ea00000e	B	0x10
14	00001234	Code size = 4660 bytes (< 64 Kbytes)	
18	ea00000e	B	0x18

11.4.3.2 boot.bin File Check

This method is the one used on FAT formatted SD Card and eMMC. The boot program must be a file named "boot.bin" written in the root directory of the file system. Its size must not exceed the maximum size allowed: 64 Kbytes (0x10000).

11.4.4 Detailed Memory Boot Procedures

11.4.4.1 NAND Flash Boot: NAND Flash Detection

After the NAND Flash interface configuration, a reset command is sent to the memory.

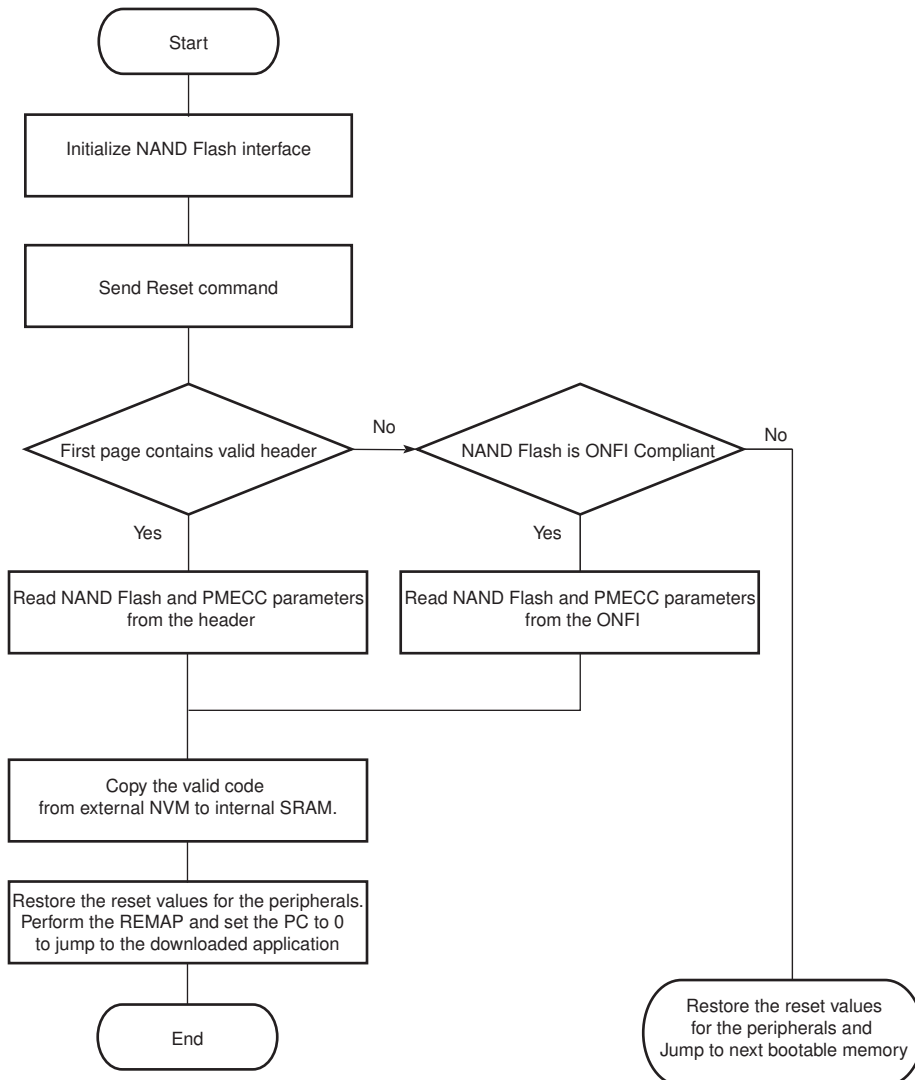
Hardware ECC detection and correction are provided by the PMECC peripheral. Refer to [Section 30.18 PMECC Controller Functional Description](#) for more details.

The Boot Program is able to retrieve NAND Flash parameters and ECC requirements using two methods as follows:

- The detection of a specific header written at the beginning of the first page of the NAND Flash,
- or
- Through the ONFI parameters for the ONFI compliant memories

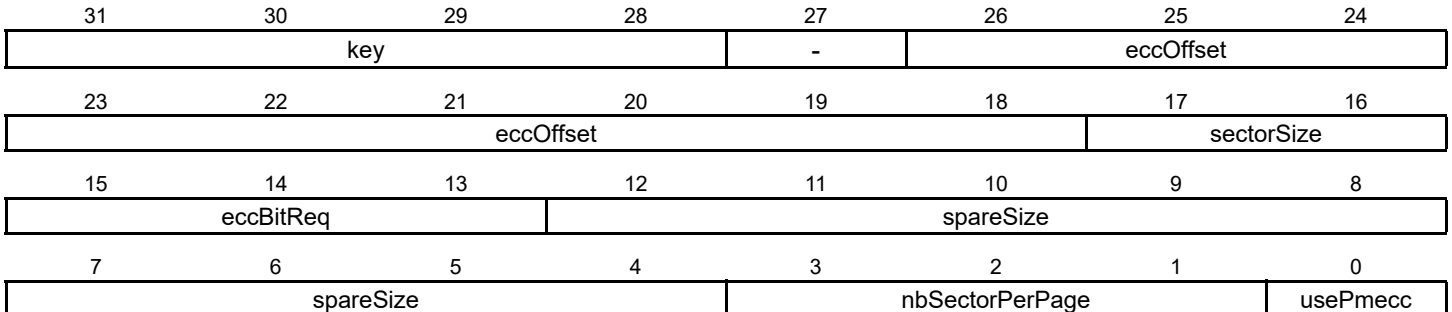
Note: Booting on 16-bit NAND Flash is not possible; only 8-bit NAND Flash memories are supported.

Figure 11-8: Boot NAND Flash Download



• NAND Flash Specific Header Detection

This is the first method used to determine NAND Flash parameters. After Initialization and Reset command, the Boot Program reads the first page without an ECC check, to determine if the NAND parameter header is present. The header is made of 52 times the same 32-bit word (for redundancy reasons) which must contain NAND and PMECC parameters used to correctly perform the read of the rest of the data in the NAND. This 32-bit word is described below:



If the header is valid, the Boot Program continues with the detection of a valid code.

Note: Booting on 16-bit NAND Flash is not possible; only 8-bit NAND Flash memories are supported.

usePmecc: Use PMECC

0: Do not use PMECC to detect and correct the data

1: Use PMECC to detect and correct the data

nbSectorPerPage[2:0]: Number of Sectors per Page

Value	Description
0	1 sector per page
1	2 sectors per page
2	4 sectors per page
3	8 sectors per page
4	16 sectors per page

spareSize: Size of the Spare Zone in Bytes

eccBitReq: Number of ECC Bits Required

Value	Description
0	2-bit ECC
1	4-bit ECC
2	8-bit ECC
3	12-bit ECC
4	24-bit ECC

sectorSize: Size of the ECC Sector

0: For 512 bytes

1: For 1024 bytes per sector

Other value for future use.

eccOffset: Offset of the First ECC Byte in the Spare Zone

A value below 2 is not allowed and will be considered as 2.

key: Value 0xC Must be Written here to Validate the Content of the Whole Word.

SAMA5D3 SERIES

- ONFI 2.2 Parameters

In case no valid header is found, the Boot Program checks if the NAND Flash is ONFI compliant, sending a Read Id command (0x90) with 0x20 as parameter for the address. If the NAND Flash is ONFI compliant, the Boot Program retrieves the following parameters with the help of the Get Parameter Page command:

- Number of bytes per page (byte 80)
- Number of bytes in spare zone (byte 84)
- Number of ECC bit correction required (byte 112)
- ECC sector size: by default, set to 512 bytes; or to 1024 bytes if the ECC bit capability above is 0xFF

By default, the ONFI NAND Flash detection will turn ON the usePmecc parameter, and the ECC correction algorithm is automatically activated.

Once the Boot Program retrieves the parameter, using one of the two methods described above, it reads the first page again, with or without ECC, depending on the usePmecc parameter. Then it looks for a valid code programmed just after the header offset 0xD0. If the code is valid, the program is copied at the beginning of the internal SRAM.

Note: Booting on 16-bit NAND Flash is not possible; only 8-bit NAND Flash memories are supported.

11.4.4.2 NAND Flash Boot: PMECC Error Detection and Correction

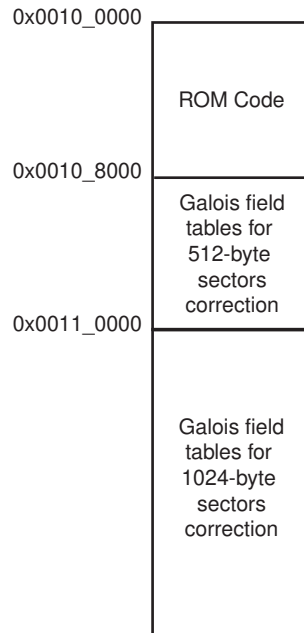
NAND Flash boot procedure uses PMECC to detect and correct errors during NAND Flash read operations in two cases:

- When the usePmecc flag is set in a specific NAND header.
If the flag is not set, no ECC correction is performed during the NAND Flash page read.
- When the NAND Flash has been detected using ONFI parameters.

The ROM memory embeds the Galois field tables. The user does not need to embed them in his own software.

The Galois field tables are mapped in the ROM just after the ROM code, as described in [Figure 11-9](#).

Figure 11-9: Galois Field Table Mapping



For a full description and an example of how to use the PMECC detection and correction feature, refer to the software package dedicated to this device on the Microchip web site.

11.4.4.3 SD Card / eMMC Boot

The SD Card / eMMC bootloader looks for a “boot.bin” file in the root directory of a FAT12/16/32 file system.

- Supported SD Card Devices

SD Card Boot supports all SD Card memories compliant with the SD Memory Card Specification V2.0. This includes SDHC cards.

11.4.4.4 SPI Flash Boot

Two types of SPI Flash are supported: SPI Serial Flash and SPI DataFlash.

The SPI Flash bootloader tries to boot on SPI0, first looking for SPI Serial Flash, and then for SPI DataFlash.

It uses only one valid code detection: analysis of ARM exception vectors.

The SPI Flash read is done using the Continuous Read command from the address 0x0. This command is 0xE8 for DataFlash and 0x0B for Serial Flash devices.

- Supported DataFlash Devices

The SPI Flash Boot program supports the DataFlash devices listed in [Table 11-2](#).

Table 11-2: DataFlash Devices

Device	Density	Page Size (bytes)	Number of Pages
AT45DB011	1 Mbit	264	512
AT45DB021	2 Mbits	264	1024
AT45DB041	4 Mbits	264	2048
AT45DB081	8 Mbits	264	4096
AT45DB161	16 Mbits	528	4096
AT45DB321	32 Mbits	528	8192
AT45DB641	64 Mbits	264	32768
AT45DB642	64 Mbits	1056	8192

- Supported Serial Flash Devices

The SPI Flash Boot program supports all SPI Serial Flash devices responding correctly at both Get Status and Continuous Read commands.

11.4.4.5 TWI EEPROM Boot

The TWI EEPROM Bootloader uses the TWI0. It uses only one valid code detection. It analyzes the ARM exception vectors.

- Supported TWI EEPROM Devices

TWI EEPROM Boot supports all I²C-compatible TWI EEPROM memories using the 7-bit device address 0x50.

11.4.5 Hardware and Software Constraints

The NVM drivers use several PIOs in peripheral mode to communicate with external memory devices. Care must be taken when these PIOs are used by the application. The connected devices could be unintentionally driven at boot time, and thus electrical conflicts between output pins used by the NVM drivers and the connected devices could occur.

To assure the correct functionality, it is recommended to plug in critical devices to other pins, not used by the NVM.

[Table 11-3](#) contains a list of pins that are driven during the boot program execution. These pins are driven during the boot sequence for a period of less than 1 second if no correct boot program is found.

Before performing the jump to the application in the internal SRAM, all the PIOs and peripherals used in the boot program are set to their reset state.

SAMA5D3 SERIES

Table 11-3: PIO Driven during Boot Program Execution

NVM Bootloader	Peripheral	Pin	PIO Line
NAND	EBI CS3 SMC	NANDOE	—
	EBI CS3 SMC	NANDWE	—
	EBI CS3 SMC	NANDCS	—
	EBI CS3 SMC	NAND ALE	—
	EBI CS3 SMC	NAND CLE	—
	EBI CS3 SMC	Cmd/Addr/Data	—
SD Card / eMMC	MCI0	MCI0_CK	PIOD9
	MCI0	MCI0_CDA	PIOD0
	MCI0	MCI0_D0	PIOD1
	MCI0	MCI0_D1	PIOD2
	MCI0	MCI0_D2	PIOD3
	MCI0	MCI0_D3	PIOD4
	MCI1	MCI1_CK	PIOB24
	MCI1	MCI1_CDA	PIOB19
	MCI1	MCI1_D0	PIOB20
	MCI1	MCI1_D1	PIOB21
	MCI1	MCI1_D2	PIOB22
	MCI1	MCI1_D3	PIOB23
SPI Flash	SPI0	MOSI	PIOD11
	SPI0	MISO	PIOD10
	SPI0	SPCK	PIOD12
	SPI0	NPCS0	PIOD13
	SPI0	NPCS1	PIOD14
TWI0 EEPROM	TWI0	TWD0	PIOA30
	TWI0	TWCK0	PIOA31
SAM-BA Monitor	DBGU	DRXD	PIOB30
	DBGU	DTXD	PIOB31

11.5 SAM-BA Monitor

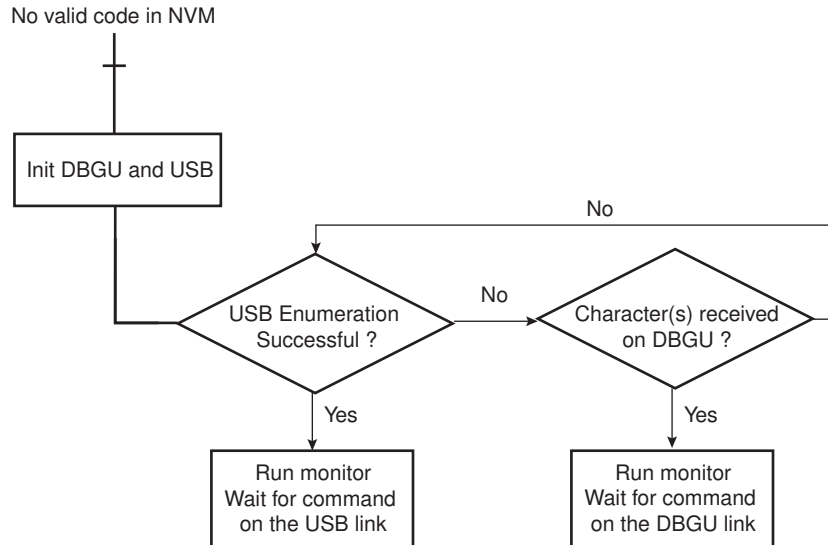
If no valid code is found in the NVM during the NVM bootloader sequence, the SAM-BA Monitor program is launched.

The SAM-BA Monitor principle is to:

- Initialize DBGU and USB
- Check if USB Device enumeration occurred
- Check if characters are received on the DBGU

Once the communication interface is identified, the application runs in an infinite loop waiting for different commands as listed in [Table 11-4](#).

Figure 11-10: SAM-BA Monitor Diagram



11.5.1 Command List

Table 11-4: Commands Available through the SAM-BA Monitor

Command	Action	Argument(s)	Example
N	Set Normal Mode	No argument	N#
T	Set Terminal Mode	No argument	T#
O	Write a byte	Address, Value#	O200001,CA#
o	Read a byte	Address,#	o200001,#
H	Write a half word	Address, Value#	H200002,CAFE#
h	Read a half word	Address,#	h200002,#
W	Write a word	Address, Value#	W200000,CAFEBECA#
w	Read a word	Address,#	w200000,#
S	Send a file	Address,#	S200000,#
R	Receive a file	Address, NbOfBytes#	R200000,1234#
G	Go	Address#	G200200#
V	Display version	No argument	V#

- Mode commands:

SAMA5D3 SERIES

- Normal mode configures SAM-BA Monitor to send / receive data in binary format,
- Terminal mode configures SAM-BA Monitor to send / receive data in ASCII format.
- Write commands: Write a byte (**O**), a halfword (**H**) or a word (**W**) to the target
 - *Address*: Address in hexadecimal
 - *Value*: Byte, halfword or word to write in hexadecimal
 - *Output*: '>'
- Read commands: Read a byte (**o**), a halfword (**h**) or a word (**w**) from the target
 - *Address*: Address in hexadecimal
 - *Output*: The byte, halfword or word read in hexadecimal followed by '>'
- Send a file (**S**): Send a file to a specified address
 - *Address*: Address in hexadecimal
 - *Output*: '>'

Note: There is a time-out on this command which is reached when the prompt '>' appears before the end of the command execution.
- Receive a file (**R**): Receive data into a file from a specified address
 - *Address*: Address in hexadecimal
 - *NbOfBytes*: Number of bytes in hexadecimal to receive
 - *Output*: '>'
- Go (**G**): Jump to a specified address and execute the code
 - *Address*: Address to jump in hexadecimal
 - *Output*: '>' once returned from the program execution. If the executed program does not handle the link register at its entry and does not return, the prompt will not be displayed
- Get Version (**V**): Return the Boot Program version
 - *Output*: version, date and time of ROM code followed by '>'

11.5.2 DBGU Serial Port

Communication is performed through the DBGU serial port initialized to 115,200 Baud, 8 bits of data, no parity, 1 stop bit.

11.5.2.1 Supported External Crystal/External Clocks

The SAM-BA Monitor supports a frequency of 12, 16, 24 or 48 MHz to allow DBGU communication for both external crystal and external clock.

11.5.2.2 Xmodem Protocol

The Send and Receive File commands use the Xmodem protocol to communicate. Any terminal performing this protocol can be used to send the application file to the target. The size of the binary file to send depends on the SRAM size embedded in the product. In all cases, the size of the binary file must be lower than the SRAM size because the Xmodem protocol requires some SRAM memory in order to work.

The Xmodem protocol supported is the 128-byte length block. This protocol uses a two-character CRC16 to ensure detection of maximum bit errors.

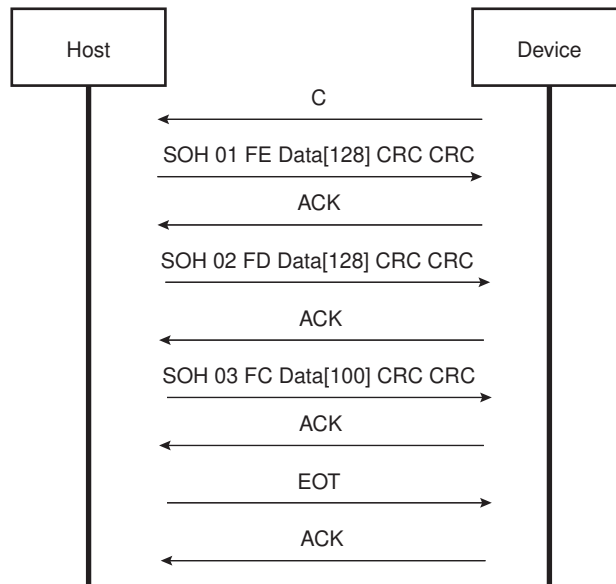
Xmodem protocol with CRC is supported by successful transmission reports provided both by a sender and by a receiver. Each transfer block is as follows:

<SOH><blk #><255-blk #><--128 data bytes--><checksum> in which:

- <SOH> = 01 hex
- <blk #> = binary number, starts at 01, increments by 1, and wraps 0FFH to 00H (not to 01)
- <255-blk #> = 1's complement of the blk#.
- <checksum> = 2 bytes CRC16

Figure 11-11 shows a transmission using this protocol.

Figure 11-11: Xmodem Transfer Example



11.5.3 USB Device Port

11.5.3.1 Supported External Crystal / External Clocks

The SAM-BA Monitor supports a frequency of 12, 16, 24 or 48 MHz to allow USB communication for both external crystal and external clock.

11.5.3.2 USB Class

The device uses the USB Communication Device Class (CDC) drivers to take advantage of the installed PC Serial Communication software to talk over the USB. The CDC class is implemented in all releases of Windows[®] beginning with Windows 98SE[®]. The CDC document, available at www.usb.org, describes how to implement devices such as ISDN modems and virtual COM ports.

The vendor ID for is ID 0x03EB. The product ID is 0x6124. These references are used by the host operating system to mount the correct driver. On Windows systems, INF files contain the correspondence between vendor ID and product ID.

11.5.3.3 Enumeration Process

The USB protocol is a master/slave protocol. The host starts the enumeration, sending requests to the device through the control endpoint. The device handles standard requests as defined in the USB Specification.

Table 11-5: Handled Standard Requests

Request	Definition
GET_DESCRIPTOR	Returns the current device configuration value
SET_ADDRESS	Sets the device address for all future device access
SET_CONFIGURATION	Sets the device configuration
GET_CONFIGURATION	Returns the current device configuration value
GET_STATUS	Returns status for the specified recipient
SET_FEATURE	Used to set or enable a specific feature
CLEAR_FEATURE	Used to clear or disable a specific feature

The device also handles some class requests defined in the CDC class.

SAMA5D3 SERIES

Table 11-6: Handled Class Requests

Request	Definition
SET_LINE_CODING	Configures DTE rate, stop bits, parity and number of character bits
GET_LINE_CODING	Requests current DTE rate, stop bits, parity and number of character bits
SET_CONTROL_LINE_STATE	RS-232 signal used to indicate to the DCE device that the DTE device is now present

Unhandled requests are STALLed.

11.5.3.4 Communication Endpoints

Endpoint 0 is used for the enumeration process.

Endpoint 1 (64-byte Bulk OUT) and endpoint 2 (64-byte Bulk IN) are used as communication endpoints.

SAM-BA Boot commands are sent by the host through Endpoint 1. If required, the message is split into several data payloads by the host driver.

If the command requires a response, the host sends IN transactions to pick up the response.

12. Boot Sequence Controller (BSC)

12.1 Description

The System Controller embeds a Boot Sequence Controller (BSC). The boot sequence is programmable through the Boot Sequence Controller Configuration Register (BSC_CR) to save timeout delays on boot.

The BSC_CR is powered by VDDDBU. Any modification of the register value is stored and applied after the next reset. The register defaults to the factory value in case of battery removal.

The BSC_CR is programmable with user programs or SAM-BA and is key-protected.

12.2 Embedded Characteristics

- VDDDBU powered register

12.3 Product Dependencies

- Product-dependent order

SAMA5D3 SERIES

12.4 Boot Sequence Controller (BSC) Registers User Interface

Table 12-1: Register Mapping

Offset	Register	Name	Access	Reset
0x0	Boot Sequence Controller Configuration Register	BSC_CR	Read/Write	–

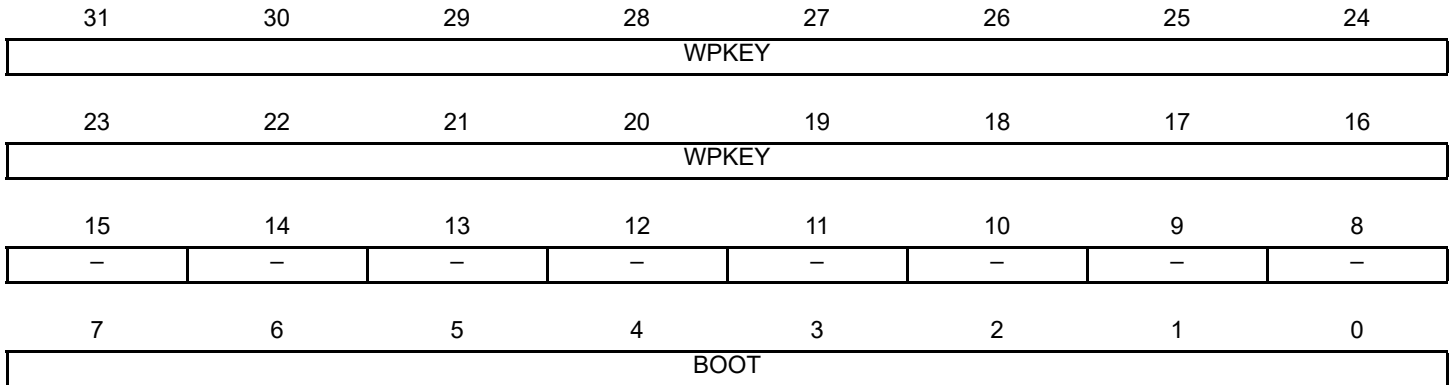
12.4.1 Boot Sequence Controller Configuration Register

Name:BSC_CR

Address:0xFFFFFE54

Access:Read/Write

Factory Value: 0x0000_0000



BOOT: Boot Media Sequence

This value is defined in the device datasheet section “Standard Boot Strategies”. It is only written if WPKEY carries the valid value.

WPKEY: Write Protection Key (Write-only)

Value	Name	Description
0x6683	PASSWD	Writing any other value in this field aborts the write operation of the BOOT field. Always reads as 0.

SAMA5D3 SERIES

13. AXI Matrix (AXIMX)

13.1 Description

The AXI Matrix comprises the embedded Advanced Extensible Interface (AXI) bus protocol which supports separate address/control and data phases, unaligned data transfers using byte strobes, burst-based transactions with only start address issued, separate read and write data channels to enable low-cost DMA, ability to issue multiple outstanding addresses, out-of-order transaction completion, and easy addition of register stages to provide timing closure.

13.2 Embedded Characteristics

- High performance AXI network interconnect
- 2 Masters:
 - Core
 - AHB/AXI bridge from AHB Matrix
- 3 Slaves:
 - ROM
 - AXI/AHB bridge to AHB Matrix
 - Slave0 of MPDDRC
- Single-cycle arbitration
- Full pipelining to prevent master stalls
- 1 remap state

13.3 Operation

13.3.1 Remap

Remap states are managed in the [AXI Matrix Remap Register](#) (AXIMX_REMAP): AXIMX_REMAP.REMAP0 (register bit 0) is used to remap RAM @ addr 0x00000000.

Refer to [Section 13.4 AXI Matrix \(AXIMX\) User Interface](#).

The number of remap states can be defined using eight bits of the AXIMX_REMAP register, and a bit in AXIMX_REMAP controls each remap state.

Each remap state can be used to control the address decoding for one or more slave interfaces. If a slave interface is affected by two remap states that are both asserted, the remap state with the lowest remap bit number takes precedence.

Each slave interface can be configured independently so that a remap state can perform different functions for different masters.

A remap state can:

- Alias a memory region into two different address ranges
- Move an address region
- Remove an address region

Because of the nature of the distributed register subsystem, the masters receive the updated remap bit states in sequence, and not simultaneously.

A slave interface does not update to the latest remap bit setting until:

- The address completion handshake accepts any transaction that is pending
- Any current lock sequence completes

At powerup, ROM is seen at address 0. After powerup, the internal SRAM can be moved down to address 0 by means of the remap bits.

13.4 AXI Matrix (AXIMX) User Interface

Table 13-1: Register Mapping

Offset	Register	Name	Access	Reset
0x00	AXI Matrix Remap Register	AXIMX_REMAP	Write-only	0x00000000
0x04–0x43108	Reserved	–	–	0x00000000

SAMA5D3 SERIES

13.4.1 AXI Matrix Remap Register

Name: AXIMX_REMAP

Address: 0x00800000

Access: Read/Write

Reset: 0x00000000

31	30	29	28	27	26	25	24
–	–	–	–	–	–	–	–
23	22	21	20	19	18	17	16
–	–	–	–	–	–	–	–
15	14	13	12	11	10	9	8
–	–	–	–	–	–	–	–
7	6	5	4	3	2	1	0
–	–	–	–	–	–	–	REMAP0

REMAP0: Remap State 0

SRAM is seen at address 0x00000000 (through AHB slave interface) instead of ROM.

14. Bus Matrix (MATRIX)

14.1 Description

The Bus Matrix (MATRIX) implements a multi-layer AHB, based on the AHB-Lite protocol, that enables parallel access paths between multiple masters and slaves in a system, thus increasing the overall bandwidth.

The MATRIX interconnects 15 masters to 12 slaves. The normal latency to connect a master to a slave is one cycle, except for the default master of the accessed slave which is connected directly (zero cycle latency).

The MATRIX user interface is compliant with the Arm Advanced Peripheral Bus.

14.1.1 Matrix Masters

Table 14-1: List of MATRIX Masters

Master No.	Description
0	Cortex-A5
1, 2, 3	DMA Controller 0
4, 5, 6	DMA Controller 1
7	GMAC DMA
8, 9	LCDC DMA
10	UHP EHCI DMA
11	UHP OHCI DMA
12	UDPHS DMA
13	EMAC DMA
14	ISI DMA

14.1.2 Matrix Slaves

Table 14-2: List of MATRIX Slaves

Slave No.	Description
0	Internal SRAM0
1	Internal SRAM1
2	NFC SRAM
3	Internal ROM
4	Soft Modem (SMD)
5	USB Device High Speed Dual Port RAM (DPR)
	USB Host OHCI registers
	USB Host EHCI registers
6	External Bus Interface/NFC
7	DDR2 Port 1
8	DDR2 Port 2
9	DDR2 Port 3
10	Peripheral Bridge 0
11	Peripheral Bridge 1

Note: DDR2 Port 0 and ROM are connected to the core through a dedicated AXI Matrix.

SAMA5D3 SERIES

14.1.3 Master to Slave Access

Table 14-3: Master to Slave Access

Masters		0	1	2	3	4	5	6	7	8	9	10	11	12	13	14
Slaves		Cortex-A5	DMAC0			DMAC1			GMAC DMA	LCDC DMA	UHPHS EHCI DMA	UHPHS OHCI DMA	UDPHS DMA	EMAC DMA	ISI DMA	
			IF0	IF1	IF2	IF0	IF1	IF2								
0	Internal SRAM0	✓	✓	-	-	✓	-	-	✓	-	-	✓	✓	✓	✓	-
1	Internal SRAM1	✓	✓	-	-	✓	-	-	✓	-	-	✓	✓	✓	✓	-
2	NFC SRAM	✓	✓	-	-	-	-	-	-	-	-	-	-	-	-	-
3	Internal ROM	-	✓	-	-	-	-	-	-	-	-	✓	✓	✓	-	-
4	SMD	✓	✓	-	-	-	-	-	-	-	-	-	-	-	-	-
5	UDPHS RAM															
	UHP OHCI Registers	✓	-	-	-	-	-	-	-	-	-	-	-	-	-	-
	UHP EHCI Registers															
6	EBI CS0..CS3	✓	✓	-	-	✓	✓	-	✓	✓	✓	✓	✓	✓	✓	✓
	NFC Command Register	✓	-	-	-	-	-	-	-	-	-	-	-	-	-	-
7	DDR2 Port 1	-	-	✓	-	✓	-	-	✓	-	-	-	-	-	-	-
8	DDR2 Port 2	-	✓	-	-	-	✓	-	-	✓	-	-	✓	-	-	-
9	DDR2 Port 3	-	-	✓	-	✓	-	-	✓	-	✓	✓	-	✓	✓	✓
10	APB 0	✓	-	-	✓	-	-	-	-	-	-	-	-	-	-	-
11	APB 1	✓	-	-	-	-	-	✓	-	-	-	-	-	-	-	-

14.2 Embedded Characteristics

- 32- or 64-bit Data Bus
- 15 Masters, 12 Slaves
- One Decoder for Each Master
- Several Possible Boot Memories for Each Master before Remap
- One Remap Function for Each Master
- Support for Long Bursts of Length 32, 64, 128 and Up to the Limit of 256-bit Burst Beats of Words
- Enhanced Programmable Mixed Arbitration for Each Slave
 - Round-robin
 - Fixed priority
 - Latency Quality of Service (QoS)
- Programmable Default Master for Each Slave
 - No default master
 - Last accessed default master
 - Fixed default master
- Deterministic Maximum Access Latency for Masters
- Zero or One Cycle Arbitration Latency for the First Access of a Burst
- Bus Lock Forwarding to Slaves
- Master Number Forwarding to Slaves
- Register Write Protection

14.3 Memory Mapping

The MATRIX provides one decoder for every master interface. The decoder offers each master several memory mappings. Each memory area can be assigned to several slaves. Booting at the same address while using different slaves (that is, external RAM, internal ROM or internal Flash, etc.) is possible.

14.4 Special Bus Granting Techniques

The MATRIX provides some speculative bus granting techniques in order to anticipate access requests from masters. Hence, latency is reduced at first access of a burst or, for a single transfer, as long as the slave is free from any other master access. It does not provide any benefit if the slave is continuously accessed by more than one master, since arbitration is pipelined and has no negative effect on the slave bandwidth or access latency.

This bus granting technique sets a different default master for every slave.

At the end of the current access, if no other request is pending, the slave remains connected to its associated default master. A slave can be associated with three kinds of default masters:

- No default master
- Last access master
- Fixed default master

To change from one type of default master to another, the user interface provides Slave Configuration registers (MATRIX_SCFGx), one for every slave, which set a default master for each slave. MATRIX_SCFGx contain two fields to manage master selection: DEFMSTR_TYPE and FIXED_DEFMSTR. The 2-bit DEFMSTR_TYPE field selects the default master type (no default, last access master, fixed default master), whereas the 4-bit FIXED_DEFMSTR field selects a fixed default master provided that DEFMSTR_TYPE is set to fixed default master. Refer to [Section 14.10.2 MATRIX Slave Configuration Registers](#).

14.5 No Default Master

After the end of the current access, if no other request is pending, the slave is disconnected from all masters.

This configuration incurs one latency clock cycle for the first access of a burst after bus Idle. Arbitration without default master may be used for masters that perform significant bursts or several transfers with no Idle cycle in-between, or if the slave bus bandwidth is widely used by one or more masters.

This configuration provides no benefit on access latency or bandwidth when reaching maximum slave bus throughput whatever the number of requesting masters.

14.6 Last Access Master

After the end of the current access, if no other request is pending, the slave remains connected to the last master that performed an access request.

This allows the MATRIX to remove the one latency cycle for the last master that accessed the slave. Other non-privileged masters still get one latency clock cycle if they need to access the same slave. This technique is useful for masters that mainly perform single accesses or short bursts with some Idle cycles in-between.

This configuration provides no benefit on access latency or bandwidth when reaching maximum slave bus throughput whatever is the number of requesting masters.

14.7 Fixed Default Master

After the end of the current access, if no other request is pending, the slave connects to its fixed default master. Unlike the last access master, the fixed default master does not change unless the user modifies it by software (FIXED_DEFMSTR field of the related MATRIX_SCFG).

This allows the MATRIX arbiters to remove the one latency clock cycle for the fixed default master of the slave. All requests attempted by the fixed default master do not cause any arbitration latency, whereas other non-privileged masters get one latency cycle. This technique is useful for a master that mainly performs single accesses or short bursts with Idle cycles in between.

This configuration provides no benefit on access latency or bandwidth when reaching maximum slave bus throughput, regardless of the number of requesting masters.

14.8 Arbitration

The MATRIX provides an arbitration technique that reduces latency when conflicts occur, i.e., when two or more masters try to access the same slave at the same time. One arbiter per slave is provided, thus arbitrating each slave specifically.

The user can choose between two arbitration types or mix them for each slave:

- Round-robin Arbitration (default)
- Fixed Priority Arbitration

The resulting algorithm may be complemented by selecting a default master configuration for each slave.

When re-arbitration must be done, specific conditions apply. See [Section 14.8.1 Arbitration Scheduling](#).

14.8.1 Arbitration Scheduling

Each arbiter has the ability to arbitrate between two or more master requests. In order to avoid burst breaking and also to provide the maximum throughput for slave interfaces, arbitration may only take place during the following cycles:

- Idle Cycles: When a slave is not connected to any master or is connected to a master which is not currently accessing it.
- Single Cycles: When a slave is currently performing a single access.
- End of Burst Cycles: When the current cycle is the last cycle of a burst transfer. For defined length burst, predicted end of burst matches the size of the transfer but is managed differently for undefined length burst. See [Section 14.8.1.1 Undefined Length Burst Arbitration](#).
- Slot Cycle Limit: When the slot cycle counter has reached the limit value indicating that the current master access is too long and must be broken. See [Section 14.8.1.2 Slot Cycle Limit Arbitration](#).

14.8.1.1 Undefined Length Burst Arbitration

To prevent long burst lengths that can lock the access to the slave for an excessive period of time, the user can trigger the re-arbitration before the end of the incremental bursts. The re-arbitration period can be selected from the following Undefined Length Burst Type (ULBT) possibilities:

- Unlimited: no predetermined end of burst is generated. This value enables 1 Kbyte burst lengths.
- 1-beat bursts: predetermined end of burst is generated at each single transfer during the INCR transfer.
- 4-beat bursts: predetermined end of burst is generated at the end of each 4-beat boundary during INCR transfer.
- 8-beat bursts: predetermined end of burst is generated at the end of each 8-beat boundary during INCR transfer.
- 16-beat bursts: predetermined end of burst is generated at the end of each 16-beat boundary during INCR transfer.
- 32-beat bursts: predetermined end of burst is generated at the end of each 32-beat boundary during INCR transfer.
- 64-beat bursts: predetermined end of burst is generated at the end of each 64-beat boundary during INCR transfer.
- 128-beat bursts: predetermined end of burst is generated at the end of each 128-beat boundary during INCR transfer.

The use of undefined length 8-beat bursts, or less, is discouraged since this may decrease the overall bus bandwidth due to arbitration and slave latencies at each first access of a burst.

Undefined-length bursts lower than 8 beats should not be used since this may decrease the overall bus bandwidth due to arbitration and slave latencies at each first access of a burst.

However, if the length of undefined-length bursts is known for a master, it is recommended to configure MATRIX_MCFG.ULBT accordingly.

14.8.1.2 Slot Cycle Limit Arbitration

The MATRIX contains specific logic to break long accesses, such as very long bursts on a very slow slave (e.g., an external low-speed memory). At each arbitration time, a counter is loaded with the value previously written in MATRIX_SCFGx.SLOT_CYCLE and decreased at each clock cycle. When the counter elapses, the arbiter has the ability to re-arbitrate at the end of the current system bus access cycle.

Unless a master has a very tight access latency constraint, which could lead to data overflow or underflow due to a badly undersized internal FIFO with respect to its throughput, the Slot Cycle Limit should be disabled (SLOT_CYCLE = 0) or set to its default maximum value in order not to inefficiently break long bursts performed by some masters.

In most cases, this feature is not needed and should be disabled for power saving.

Warning: This feature cannot prevent any slave from locking its access indefinitely.

14.8.2 Arbitration Priority Scheme

The MATRIX arbitration scheme is organized in priority pools, each corresponding to an access criticality class as shown in the “Latency Quality of Service” column in the table below. When the Latency Quality of Service is enabled for a master-slave pair through the MATRIX, the priority pool number to use for arbitration at the slave port is determined from the master. When the Latency Quality of Service is disabled, it is determined through the MATRIX user interface. See [Section 14.10.3 MATRIX Priority Registers A For Slaves](#).

After reset, the Latency Quality of Service is enabled by default on all of the master ports that are connected to a master driving the Latency Quality of Service signals, as shown in the bit LQOSEN of [Section 14.10.3 MATRIX Priority Registers A For Slaves](#) and [Section 14.10.4 MATRIX Priority Registers B For Slaves](#).

Table 14-4: Arbitration Priority Pools

Priority pool	Latency Quality of Service
3	Latency Critical
2	Latency Sensitive
1	Bandwidth Sensitive
0	Background Transfers

Round-robin priority is used in the highest and lowest priority pools 3 and 0, whereas fixed level priority is used between priority pools and in the intermediate priority pools 2 and 1.

For each slave, each master is assigned to one of the slave priority pools based on the Latency Quality of Service inputs or to the priority registers for slaves (MxPR fields of MATRIX_PRAS and MATRIX_PRBS). When evaluating master requests, this priority pool level always takes precedence.

After reset, most of the masters belong to the lowest priority pool (MxPR = 0, Background Transfer) and are therefore granted bus access in a true round-robin order.

The highest priority pool must be specifically reserved for masters requiring very low access latency. If more than one master belongs to this pool, they will be granted bus access in a biased round-robin manner which allows tight and deterministic maximum access latency from system bus requests. In the worst case, any currently occurring high-priority master request is granted after the current bus master access has ended and any other high priority pool master requests, if any, have been granted once each.

The lowest priority pool shares the remaining bus bandwidth between masters.

Intermediate priority pools enable fine priority tuning. Typically, a latency-sensitive master or a bandwidth-sensitive master use such a priority level. The higher the priority level (MxPR value), the higher the master priority.

For optimized processor performance, it is recommended to configure processor priority with the default reset value 2 (Latency Sensitive).

All combinations of MxPR values are allowed for all masters and slaves. For example, some masters might be assigned the highest priority pool (round-robin), and remaining masters the lowest priority pool (round-robin), with no master for intermediate fixed priority levels.

14.8.2.1 Fixed Priority Arbitration

The fixed priority arbitration algorithm is the first and only arbitration algorithm applied between masters from distinct priority pools. It is also used in priority pools other than the highest and lowest priority pools (intermediate priority pools).

Fixed priority arbitration allows the MATRIX arbiters to dispatch the requests from different masters to the same slave by using the fixed priority defined by the user in the MxPR field for each master in the registers MATRIX_PRAS and MATRIX_PRBS. If two or more master requests are active at the same time, the master with the highest priority MxPR number is serviced first.

In intermediate priority pools, if two or more master requests with the same priority are active at the same time, the master with the highest number is serviced first.

14.8.2.2 Round-Robin Arbitration

This algorithm is only used in the highest and lowest priority pools. It allows the MATRIX arbiters to properly dispatch requests from different masters to the same slave. If two or more master requests are active at the same time in the priority pool, they are serviced in a round-robin increasing master number order.

14.9 Register Write Protection

To prevent any single software error from corrupting MATRIX behavior, certain registers in the address space can be write-protected by setting the WPEN bit in the [MATRIX Write Protection Mode Register](#) (MATRIX_WPMR).

If a write access to a write-protected register is detected, the WPVS flag in the [MATRIX Write Protection Status Register](#) (MATRIX_WPSR) is set and the field WPVSRC indicates the register in which the write access has been attempted.

The WPVS flag is reset by writing the MATRIX_WPMR with the appropriate access key WPKEY.

The following registers can be write-protected:

- [MATRIX Master Configuration Registers](#)
- [MATRIX Slave Configuration Registers](#)
- [MATRIX Priority Registers A For Slaves](#)
- [MATRIX Priority Registers B For Slaves](#)
- [MATRIX Master Remap Control Register](#)

14.10 Matrix (MATRIX) User Interface

Table 14-5: Register Mapping

Offset	Register	Name	Access	Reset
0x0000	Master Configuration Register 0	MATRIX_MCFG0	Read/Write	0x00000004
0x0004	Master Configuration Register 1	MATRIX_MCFG1	Read/Write	0x00000004
0x0008	Master Configuration Register 2	MATRIX_MCFG2	Read/Write	0x00000004
0x000C	Master Configuration Register 3	MATRIX_MCFG3	Read/Write	0x00000004
0x0010	Master Configuration Register 4	MATRIX_MCFG4	Read/Write	0x00000004
0x0014	Master Configuration Register 5	MATRIX_MCFG5	Read/Write	0x00000004
0x0018	Master Configuration Register 6	MATRIX_MCFG6	Read/Write	0x00000004
0x001C	Master Configuration Register 7	MATRIX_MCFG7	Read/Write	0x00000004
0x0020	Master Configuration Register 8	MATRIX_MCFG8	Read/Write	0x00000004
0x0024	Master Configuration Register 9	MATRIX_MCFG9	Read/Write	0x00000004
0x0028	Master Configuration Register 10	MATRIX_MCFG10	Read/Write	0x00000004
0x002C	Master Configuration Register 11	MATRIX_MCFG11	Read/Write	0x00000004
0x0030	Master Configuration Register 12	MATRIX_MCFG12	Read/Write	0x00000004
0x0034	Master Configuration Register 13	MATRIX_MCFG13	Read/Write	0x00000004
0x0038	Master Configuration Register 14	MATRIX_MCFG14	Read/Write	0x00000004
0x003C	Reserved	–	–	–
0x0040	Slave Configuration Register 0	MATRIX_SCFG0	Read/Write	0x000001FF
0x0044	Slave Configuration Register 1	MATRIX_SCFG1	Read/Write	0x000001FF
0x0048	Slave Configuration Register 2	MATRIX_SCFG2	Read/Write	0x000001FF
0x004C	Slave Configuration Register 3	MATRIX_SCFG3	Read/Write	0x000001FF
0x0050	Slave Configuration Register 4	MATRIX_SCFG4	Read/Write	0x000001FF
0x0054	Slave Configuration Register 5	MATRIX_SCFG5	Read/Write	0x000001FF
0x0058	Slave Configuration Register 6	MATRIX_SCFG6	Read/Write	0x000001FF
0x005C	Slave Configuration Register 7	MATRIX_SCFG7	Read/Write	0x000001FF
0x0060	Slave Configuration Register 8	MATRIX_SCFG8	Read/Write	0x000001FF
0x0064	Slave Configuration Register 9	MATRIX_SCFG9	Read/Write	0x000001FF
0x0068	Slave Configuration Register 10	MATRIX_SCFG10	Read/Write	0x000001FF
0x006C	Slave Configuration Register 11	MATRIX_SCFG11	Read/Write	0x000001FF
0x0070–0x007C	Reserved	–	–	–
0x0080	Priority Register A for Slave 0	MATRIX_PRAS0	Read/Write	0x00000000 ⁽¹⁾
0x0084	Priority Register B for Slave 0	MATRIX_PRBS0	Read/Write	0x00000000 ⁽¹⁾
0x0088	Priority Register A for Slave 1	MATRIX_PRAS1	Read/Write	0x00000000 ⁽¹⁾
0x008C	Priority Register B for Slave 1	MATRIX_PRBS1	Read/Write	0x00000000 ⁽¹⁾
0x0090	Priority Register A for Slave 2	MATRIX_PRAS2	Read/Write	0x00000000 ⁽¹⁾
0x0094	Priority Register B for Slave 2	MATRIX_PRBS2	Read/Write	0x00000000 ⁽¹⁾

SAMA5D3 SERIES

Table 14-5: Register Mapping (Continued)

Offset	Register	Name	Access	Reset
0x0098	Priority Register A for Slave 3	MATRIX_PRAS3	Read/Write	0x00000000 ⁽¹⁾
0x009C	Priority Register B for Slave 3	MATRIX_PRBS3	Read/Write	0x00000000 ⁽¹⁾
0x00A0	Priority Register A for Slave 4	MATRIX_PRAS4	Read/Write	0x00000000 ⁽¹⁾
0x00A4	Priority Register B for Slave 4	MATRIX_PRBS4	Read/Write	0x00000000 ⁽¹⁾
0x00A8	Priority Register A for Slave 5	MATRIX_PRAS5	Read/Write	0x00000000 ⁽¹⁾
0x00AC	Priority Register B for Slave 5	MATRIX_PRBS5	Read/Write	0x00000000 ⁽¹⁾
0x00B0	Priority Register A for Slave 6	MATRIX_PRAS6	Read/Write	0x00000000 ⁽¹⁾
0x00B4	Priority Register B for Slave 6	MATRIX_PRBS6	Read/Write	0x00000000 ⁽¹⁾
0x00B8	Priority Register A for Slave 7	MATRIX_PRAS7	Read/Write	0x00000000 ⁽¹⁾
0x00BC	Priority Register B for Slave 7	MATRIX_PRBS7	Read/Write	0x00000000 ⁽¹⁾
0x00C0	Priority Register A for Slave 8	MATRIX_PRAS8	Read/Write	0x00000000 ⁽¹⁾
0x00C4	Priority Register B for Slave 8	MATRIX_PRBS8	Read/Write	0x00000000 ⁽¹⁾
0x00C8	Priority Register A for Slave 9	MATRIX_PRAS9	Read/Write	0x00000000 ⁽¹⁾
0x00CC	Priority Register B for Slave 9	MATRIX_PRBS9	Read/Write	0x00000000 ⁽¹⁾
0x00D0	Priority Register A for Slave 10	MATRIX_PRAS10	Read/Write	0x00000000 ⁽¹⁾
0x00D4	Priority Register B for Slave 10	MATRIX_PRBS10	Read/Write	0x00000000 ⁽¹⁾
0x00D8	Priority Register A for Slave 11	MATRIX_PRAS11	Read/Write	0x00000000 ⁽¹⁾
0x00DC	Priority Register B for Slave 11	MATRIX_PRBS11	Read/Write	0x00000000 ⁽¹⁾
0x00E0–0x00FC	Reserved	–	–	–
0x0100	Master Remap Control Register	MATRIX_MRCR	Read/Write	0x00000000
0x0104–0x01E0	Reserved	–	–	–
0x01E4	Write Protect Mode Register	MATRIX_WPMR	Read/Write	0x00000000
0x01E8	Write Protect Status Register	MATRIX_WPSR	Read-only	0x00000000

Note 1: Values in the MATRIX Priority Registers are product-dependent.

14.10.1 MATRIX Master Configuration Registers

Name: MATRIX_MCFG0...MATRIX_MCFG14

Access: Read/Write

31	30	29	28	27	26	25	24
–	–	–	–	–	–	–	–
23	22	21	20	19	18	17	16
–	–	–	–	–	–	–	–
15	14	13	12	11	10	9	8
–	–	–	–	–	–	–	–
7	6	5	4	3	2	1	0
–	–	–	–	–	ULBT		

This register can only be written if the WPEN bit is cleared in the [MATRIX Write Protection Mode Register](#).

ULBT: Undefined Length Burst Type

Value	Name	Description
0	UNLIMITED	Unlimited Length Burst—No predicted end of burst is generated, therefore INCR bursts coming from this master can only be broken if the Slave Slot Cycle Limit is reached. If the Slot Cycle Limit is not reached, the burst is normally completed by the master, at the latest, on the next system bus 1 Kbyte address boundary, allowing up to 256-beat word bursts or 128-beat double-word bursts. This value should not be used in the very particular case of a master capable of performing back-to-back undefined length bursts on a single slave, since this could indefinitely freeze the slave arbitration and thus prevent another master from accessing this slave.
1	SINGLE	Single Access—The undefined length burst is treated as a succession of single accesses, allowing re-arbitration at each beat of the INCR burst or bursts sequence.
2	4_BEAT	4-beat Burst—The undefined length burst or bursts sequence is split into 4-beat bursts or less, allowing re-arbitration every 4 beats.
3	8_BEAT	8-beat Burst—The undefined length burst or bursts sequence is split into 8-beat bursts or less, allowing re-arbitration every 8 beats.
4	16_BEAT	16-beat Burst—The undefined length burst or bursts sequence is split into 16-beat bursts or less, allowing re-arbitration every 16 beats.
5	32_BEAT	32-beat Burst—The undefined length burst or bursts sequence is split into 32-beat bursts or less, allowing re-arbitration every 32 beats.
6	64_BEAT	64-beat Burst—The undefined length burst or bursts sequence is split into 64-beat bursts or less, allowing re-arbitration every 64 beats.
7	128_BEAT	128-beat Burst—The undefined length burst or bursts sequence is split into 128-beat bursts or less, allowing re-arbitration every 128 beats. Unless duly needed, the ULBT should be left at its default 0 value for power saving.

SAMA5D3 SERIES

14.10.2 MATRIX Slave Configuration Registers

Name: MATRIX_SCFG0...MATRIX_SCFG11

Access: Read/Write

31	30	29	28	27	26	25	24
–	–	–	–	–	–	–	–
23	22	21	20	19	18	17	16
–	–	FIXED_DEFMSTR				DEFMSTR_TYPE	
15	14	13	12	11	10	9	8
–	–	–	–	–	–	–	SLOT_CYCLE
7	6	5	4	3	2	1	0
SLOT_CYCLE							

This register can only be written if the WPEN bit is cleared in the [MATRIX Write Protection Mode Register](#).

SLOT_CYCLE: Maximum Bus Grant Duration for Masters

When SLOT_CYCLE system bus clock cycles have elapsed since the last arbitration, a new arbitration takes place to let another master access this slave. If another master is requesting the slave bus, then the current master burst is broken.

If SLOT_CYCLE = 0, the Slot Cycle Limit feature is disabled and bursts always complete unless broken according to the ULBT.

This limit has been placed in order to enforce arbitration so as to meet potential latency constraints of masters waiting for slave access.

This limit must not be too small. Unreasonably small values break every burst and the MATRIX arbitrates without performing any data transfer. The default maximum value is usually an optimal conservative choice.

In most cases, this feature is not needed and should be disabled for power saving.

See [Section 14.8.1.2 Slot Cycle Limit Arbitration](#) for details.

DEFMSTR_TYPE: Default Master Type

Value	Name	Description
0	NONE	No Default Master—At the end of the current slave access, if no other master request is pending, the slave is disconnected from all masters. This results in a one clock cycle latency for the first access of a burst transfer or for a single access.
1	LAST	Last Default Master—At the end of the current slave access, if no other master request is pending, the slave stays connected to the last master having accessed it. This results in not having one clock cycle latency when the last master tries to access the slave again.
2	FIXED	Fixed Default Master—At the end of the current slave access, if no other master request is pending, the slave connects to the fixed master the number that has been written in the FIXED_DEFMSTR field. This results in not having one clock cycle latency when the fixed master tries to access the slave again.

FIXED_DEFMSTR: Fixed Default Master

This is the number of the Default Master for this slave. Only used if DEFMSTR_TYPE is 2. Specifying the number of a master which is not connected to the selected slave is equivalent to setting DEFMSTR_TYPE to 0.

14.10.3 MATRIX Priority Registers A For Slaves

Name: MATRIX_PRAS0...MATRIX_PRAS11

Access: Read/Write

31	30	29	28	27	26	25	24
–	LQOSEN7	M7PR	–	LQOSEN6	M6PR	–	–
23	22	21	20	19	18	17	16
–	LQOSEN5	M5PR	–	LQOSEN4	M4PR	–	–
15	14	13	12	11	10	9	8
–	LQOSEN3	M3PR	–	LQOSEN2	M2PR	–	–
7	6	5	4	3	2	1	0
–	LQOSEN1	M1PR	–	LQOSEN0	M0PR	–	–

This register can only be written if the WPEN bit is cleared in the [MATRIX Write Protection Mode Register](#).

MxPR: Master x Priority

Fixed priority of Master x for accessing the selected slave. The higher the number, the higher the priority.

All the masters programmed with the same MxPR value for the slave make up a priority pool.

Round-robin arbitration is used in the lowest (MxPR = 0) and highest (MxPR = 3) priority pools.

Fixed priority is used in intermediate priority pools (MxPR = 1) and (MxPR = 2).

See [Section 14.8.2 Arbitration Priority Scheme](#) for details.

This priority is used by default any time that the Latency Quality of Service propagation from the Master x is not used or not available. Set this field to 0x0 when the LQOSENx bit is set to 1.

LQOSENx: Latency Quality of Service Enable for Master x

0: Disables propagation of Latency Quality of Service from the Master x to the Slave and apply MxPR priority for all access from Master x to the Slave.

1: Enables the propagation of Latency Quality of Service from the Master x to the Slave if supported by the Master x.

SAMA5D3 SERIES

14.10.4 MATRIX Priority Registers B For Slaves

Name: MATRIX_PRBS0...MATRIX_PRBS11

Access: Read/Write

31	30	29	28	27	26	25	24
–	–	–	–	–	LQOSEN14	M14PR	
23	22	21	20	19	18	17	16
–	LQOSEN13	M13PR		–	LQOSEN12	M12PR	
15	14	13	12	11	10	9	8
–	LQOSEN11	M11PR		–	LQOSEN10	M10PR	
7	6	5	4	3	2	1	0
–	LQOSEN9	M9PR		–	LQOSEN8	M8PR	

This register can only be written if the WPEN bit is cleared in the [MATRIX Write Protection Mode Register](#).

MxPR: Master x Priority

Fixed priority of Master x for accessing the selected slave. The higher the number, the higher the priority.

All the masters programmed with the same MxPR value for the slave make up a priority pool.

Round-robin arbitration is used in the lowest (MxPR = 0) and highest (MxPR = 3) priority pools.

Fixed priority is used in intermediate priority pools (MxPR = 1) and (MxPR = 2).

See [Section 14.8.2 Arbitration Priority Scheme](#) for details.

This priority is used by default any time that the Latency Quality of Service propagation from the Master x is not used or not available. Set this field to 0x0 when the LQOSENx bit is set to 1.

LQOSENx: Latency Quality of Service Enable for Master x

0: Disables propagation of Latency Quality of Service from the Master x to the Slave and apply MxPR priority for all access from Master x to the Slave.

1: Enables the propagation of Latency Quality of Service from the Master x to the Slave if supported by the Master x.

14.10.5 MATRIX Master Remap Control Register

Name: MATRIX_MRCR

Access: Read/Write

31	30	29	28	27	26	25	24
–	–	–	–	–	–	–	–
23	22	21	20	19	18	17	16
–	–	–	–	–	–	–	–
15	14	13	12	11	10	9	8
–	RCB14	RCB13	RCB12	RCB11	RCB10	RCB9	RCB8
7	6	5	4	3	2	1	0
RCB7	RCB6	RCB5	RCB4	RCB3	RCB2	RCB1	RCB0

This register can only be written if the WPEN bit is cleared in the [MATRIX Write Protection Mode Register](#).

RCBx: Remap Command Bit for Master x

0: Disables remapped address decoding for the selected Master.

1: Enables remapped address decoding for the selected Master.

SAMA5D3 SERIES

14.10.6 MATRIX Write Protection Mode Register

Name: MATRIX_WPMR

Access: Read/Write

31	30	29	28	27	26	25	24
WPKEY							
23	22	21	20	19	18	17	16
WPKEY							
15	14	13	12	11	10	9	8
WPKEY							
7	6	5	4	3	2	1	0
–	–	–	–	–	–	–	WPEN

WPEN: Write Protection Enable

0: Disables the write protection if WPKEY corresponds to 0x4D4154 ("MAT" in ASCII).

1: Enables the write protection if WPKEY corresponds to 0x4D4154 ("MAT" in ASCII).

See [Section 14.9 Register Write Protection](#) for the list of registers that can be write-protected.

WPKEY: Write Protection Key

Value	Name	Description
0x4D4154	PASSWD	Writing any other value in this field aborts the write operation of the WPEN bit. Always reads as 0.

14.10.7 MATRIX Write Protection Status Register

Name: MATRIX_WPSR

Access: Read-only

31	30	29	28	27	26	25	24
–	–	–	–	–	–	–	–
23	22	21	20	19	18	17	16
WPSRC							
15	14	13	12	11	10	9	8
WPSRC							
7	6	5	4	3	2	1	0
–	–	–	–	–	–	–	WPVS

WPVS: Write Protection Violation Status

0: No write protection violation has occurred since the last write of the MATRIX_WPMR.

1: A write protection violation has occurred since the last write of the MATRIX_WPMR. If this violation is an unauthorized attempt to write a protected register, the associated violation is reported into field WPSRC.

WPSRC: Write Protection Violation Source

When WPVS = 1, WPSRC indicates the register address offset at which a write access has been attempted.

15. Special Function Registers (SFR)

15.1 Description

Special Function Registers (SFR) manage specific aspects of the integrated memory, bridge implementations, processor and other functionality not controlled elsewhere.

15.2 Embedded Characteristics

- 32-bit Special Function Registers control specific behavior of the product

15.3 Special Function Registers (SFR) User Interface

Table 15-1: Register Mapping

Offset ⁽¹⁾	Register	Name	Access	Reset
0x00	Reserved	–	–	–
0x04	DDR Configuration Register	SFR_DDRCFG	Read/Write	0x01
0x08–0x0C	Reserved	–	–	–
0x10	OHCI Interrupt Configuration Register	SFR_OHCIICR	Read/Write	0x0
0x14	OHCI Interrupt Status Register	SFR_OHCIISR	Read-only	–
0x18	Reserved	–	–	–
0x1C	Reserved	–	–	–
0x20–0x24	Reserved	–	–	–
0x28	Security Configuration Register	SFR_SECURE	Read/Write	0x0
0x2C	Reserved	–	–	–
0x30	UTMI Clock Trimming Register	SFR_UTMICKTRIM	Read/Write	0x00010000
0x40	EBI Configuration Register	SFR_EBICFG	Read/Write	–
0x44	Reserved	–	–	–
0x48	Reserved	–	–	–
0x4C–0x54	Reserved	–	–	–
0x58–0x3FFC	Reserved	–	–	–

Note 1: If an offset is not listed in the table it must be considered as reserved.

SAMA5D3 SERIES

15.3.1 DDR Configuration Register

Name:SFR_DDRCFG

Address:0xF0038004

Access:Read/Write

31	30	29	28	27	26	25	24
–	–	–	–	–	–	–	–
23	22	21	20	19	18	17	16
–	–	–	–	–	–	FDQSIEN	FDQIEN
15	14	13	12	11	10	9	8
–	–	–	–	–	–	–	–
7	6	5	4	3	2	1	0
–	–	–	–	–	–	–	–

FDQIEN: Force DDR_DQ Input Buffer Always On

0: DDR_DQ input buffer controlled by DDR controller.

1: DDR_DQ input buffer always on.

FDQSIEN: Force DDR_DQS Input Buffer Always On

0: DDR_DQS input buffer controlled by DDR controller.

1: DDR_DQS input buffer always on.

15.3.2 OHCI Interrupt Configuration Register

Name:SFR_OHCIICR

Address:0xF0038010

Access:Read/Write

31	30	29	28	27	26	25	24
–	–	–	–	–	–	–	–
23	22	21	20	19	18	17	16
UDPPUDIS	–	–	–	–	–	–	–
15	14	13	12	11	10	9	8
–	–	–	–	–	–	–	–
7	6	5	4	3	2	1	0
–	–	APPSTART	ARIE	–	RES2	RES1	RES0

RESx: USB PORTx RESET

0: Resets USB PORT.

1: Usable USB PORT.

ARIE: OHCI Asynchronous Resume Interrupt Enable

0: Interrupt disabled.

1: Interrupt enabled.

APPSTART: Reserved

0: Must write 0.

UDPPUDIS: USB DEVICE PULL-UP DISABLE

0: USB device pull-up connection is enabled.

1: USB device pull-up connection is disabled.

SAMA5D3 SERIES

15.3.3 OHCI Interrupt Status Register

Name:SFR_OHCIISR

Address:0xF0038014

Access:Read/Write

31	30	29	28	27	26	25	24
–	–	–	–	–	–	–	–
23	22	21	20	19	18	17	16
–	–	–	–	–	–	–	–
15	14	13	12	11	10	9	8
–	–	–	–	–	–	–	–
7	6	5	4	3	2	1	0
–	–	–	–	–	RIS2	RIS1	RIS0

RISx: OHCI Resume Interrupt Status Port x

0: OHCI port resume not detected.

1: OHCI port resume detected.

15.3.4 Security Configuration Register

Name:SFR_SECURE

Address:0xF0038028

Access:Read/Write

31	30	29	28	27	26	25	24
–	–	–	–	–	–	–	–
23	22	21	20	19	18	17	16
–	–	–	–	–	–	–	–
15	14	13	12	11	10	9	8
–	–	–	–	–	–	–	FUSE
7	6	5	4	3	2	1	0
–	–	–	–	–	–	–	ROM

ROM: Disable Access to ROM Code

This bit is writable once only. When the ROM is secured, only reset signal can clear this bit.

0: ROM is enabled.

1: ROM is disabled.

FUSE: Disable Access to Fuse Controller

This bit is writable once only. When the Fuse Controller is secured, only reset signal can clear this bit.

0: Fuse Controller is enabled.

1: Fuse Controller is disabled.

SAMA5D3 SERIES

15.3.5 UTMI Clock Trimming Register

Name: SFR_UTMICKTRIM

Address: 0xF0038030

Access: Read/Write

31	30	29	28	27	26	25	24
–	–	–	–	–	–	–	–
23	22	21	20	19	18	17	16
–	–	–	–	–	–	–	–
15	14	13	12	11	10	9	8
–	–	–	–	–	–	–	–
7	6	5	4	3	2	1	0
–	–	–	–	–	–	FREQ	

FREQ: UTMI Reference Clock Frequency

Value	Name	Description
0	12	12 MHz reference clock
1	16	16 MHz reference clock
2	24	24 MHz reference clock
3	48	48 MHz reference clock

15.3.6 EBI Configuration Register

Name:SFR_EBICFG

Address:0xF0038040

Access:Read/Write

31	30	29	28	27	26	25	24
–	–	–	–	–	–	–	–
23	22	21	20	19	18	17	16
–	–	–	–	–	–	–	BMS
15	14	13	12	11	10	9	8
–	–	–	SCH1	PULL1		DRIVE1	
7	6	5	4	3	2	1	0
–	–	–	SCH0	PULL0		DRIVE0	

This register controls EBI pins which are not multiplexed with PIO controller lines.

DRIVE0, PULL0, SCH0 control EBI Data pins when applicable.

DRIVE1, PULL1, SCH1 control other EBI pins when applicable.

DRIVEx: EBI Pins Drive Level

Drive level should be programmed depending on target frequency and board characteristics. Refer to pad characteristics to set correct drive level.

Value	Name	Description
0	LOW	Low drive level
1	RESERVED	Low drive level
2	MEDIUM	Medium drive level
3	HIGH	High drive level

PULLx: EBI Pins Pull Value

Value	Name	Description
0	UP	Pull-up
1	NONE	No Pull
2	RESERVED	No Change (forbidden write value)
3	DOWN	Pull-down

SCHx: EBI Pins Schmitt Trigger

0: Schmitt Trigger off.

1: Schmitt Trigger on.

BMS: BMS Sampled Value (Read Only)

This bit examines whether boot is on EBI or ROM.

0 (ROM): Boot on ROM.

1 (EBI): Boot on EBI.

SAMA5D3 SERIES

16. Advanced Interrupt Controller (AIC)

16.1 Description

The Advanced Interrupt Controller (AIC) is an 8-level priority, individually maskable, vectored interrupt controller providing handling of up to one hundred and twenty-eight interrupt sources. It is designed to substantially reduce the software and real-time overhead in handling internal and external interrupts.

The AIC drives the nFIQ (fast interrupt request) and the nIRQ (standard interrupt request) inputs of an ARM processor. Inputs of the AIC are either internal peripheral interrupts or external interrupts coming from the product's pins.

The 8-level Priority Controller allows the user to define the priority for each interrupt source, thus permitting higher priority interrupts to be serviced even if a lower priority interrupt is being processed.

Internal interrupt sources can be programmed to be level-sensitive or edge-triggered. External interrupt sources can be programmed to be positive-edge or negative-edge triggered or high-level or low-level sensitive.

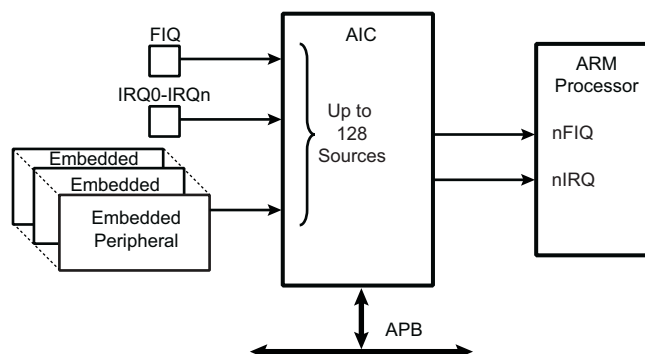
The fast-forcing feature redirects any internal or external interrupt source to provide a fast interrupt rather than a normal interrupt.

16.2 Embedded Characteristics

- Controls the Interrupt Lines (nIRQ and nFIQ) of an ARM Processor
- 128 Individually Maskable and Vectored Interrupt Sources
 - Source 0 is Reserved for the Fast Interrupt Input (FIQ)
 - Source 1 is Reserved for System Peripheral Interrupts
 - Source 2 to Source 127 Control up to 126 Embedded Peripheral Interrupts or External Interrupts
 - Programmable Edge-triggered or Level-sensitive Internal Sources
 - Programmable Positive/Negative Edge-triggered or High/Low Level-sensitive External Sources
- 8-level Priority Controller
 - Drives the Normal Interrupt of the Processor
 - Handles Priority of the Interrupt Sources 1 to 127
 - Higher Priority Interrupts Can Be Served During Service of Lower Priority Interrupt
- Vectoring
 - Optimizes Interrupt Service Routine Branch and Execution
 - One 32-bit Vector Register for all Interrupt Sources
 - Interrupt Vector Register Reads the Corresponding Current Interrupt Vector
- Protect Mode
 - Easy Debugging by Preventing Automatic Operations when Protect Models are Enabled
- Fast Forcing
 - Permits Redirecting any Normal Interrupt Source to the Fast Interrupt of the Processor
- General Interrupt Mask
 - Provides Processor Synchronization on Events Without Triggering an Interrupt
- Register Write Protection

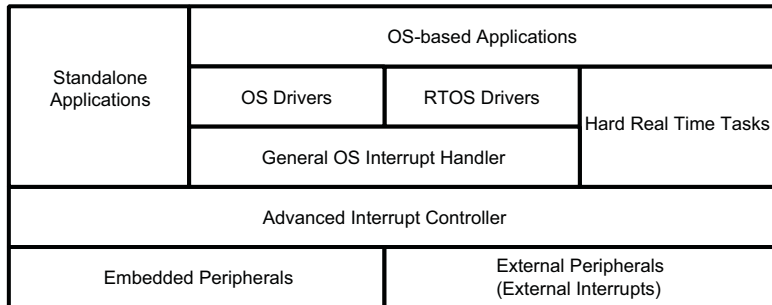
16.3 Block Diagram

Figure 16-1: AIC Block Diagram



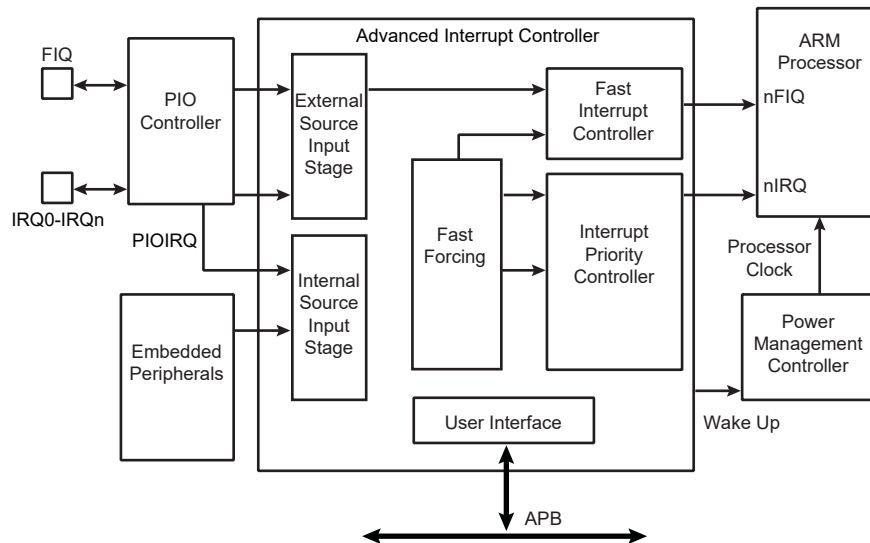
16.4 Application Block Diagram

Figure 16-2: Description of the Application Block



16.5 AIC Detailed Block Diagram

Figure 16-3: AIC Detailed Block Diagram



16.6 I/O Line Description

Table 16-1: I/O Line Description

Pin Name	Pin Description	Type
FIQ	Fast Interrupt	Input
IRQ0-IRQn	Interrupt 0-Interrupt n	Input

SAMA5D3 SERIES

16.7 Product Dependencies

16.7.1 I/O Lines

The interrupt signals FIQ and IRQ0 to IRQn are normally multiplexed through the PIO controllers. Depending on the features of the PIO controller used in the product, the pins must be programmed in accordance with their assigned interrupt functions. This is not applicable when the PIO controller used in the product is transparent on the input path.

Table 16-2: I/O Lines

Instance	Signal	I/O Line	Peripheral
AIC	FIQ	PC31	A
AIC	IRQ	PE31	A

16.7.2 Power Management

The Advanced Interrupt Controller is continuously clocked. The Power Management Controller has no effect on the Advanced Interrupt Controller behavior.

The assertion of the Advanced Interrupt Controller outputs, either nIRQ or nFIQ, wakes up the ARM processor while it is in Idle mode. The General Interrupt Mask feature enables the AIC to wake up the processor without asserting the interrupt line of the processor, thus providing synchronization of the processor on an event.

16.7.3 Interrupt Sources

Interrupt Source 0 is always located at FIQ. If the product does not feature any FIQ pin, Interrupt Source 0 cannot be used.

Interrupt Source 1 is always located at System Interrupt. This is the result of the OR-wiring of the system peripheral interrupt lines. When a system interrupt occurs, the service routine must first distinguish the cause of the interrupt. This is performed by reading successively the status registers of the above-mentioned system peripherals.

Interrupt sources 2 to 127 can either be connected to the interrupt outputs of an embedded user peripheral, or to external interrupt lines. The external interrupt lines can be connected either directly or through the PIO Controller.

PIO controllers are considered as user peripherals in the scope of interrupt handling. Accordingly, the PIO controller interrupt lines are connected to interrupt sources 2 to 127.

The peripheral identification defined at the product level corresponds to the interrupt source number (as well as the bit number controlling the clock of the peripheral). Consequently, to simplify the description of the functional operations and the user interface, the interrupt sources are named FIQ, SYS, and PID2 to PID127.

16.8 Functional Description

16.8.1 Interrupt Source Control

16.8.1.1 Interrupt Source Mode

The Advanced Interrupt Controller independently programs each interrupt source. The SRCTYPE field of the Source Mode Register (AIC_SMR) selects the interrupt condition of the interrupt source selected by the INTSEL field of the Source Select Register (AIC_SSR).

Note: Configuration registers such as AIC_SMR and AIC_SSR return the values corresponding to the interrupt source selected by INTSEL.

The internal interrupt sources wired on the interrupt outputs of the embedded peripherals can be programmed either in Level-Sensitive mode or in Edge-Triggered mode. The active level of the internal interrupts is not important for the user.

The external interrupt sources can be programmed either in High Level-Sensitive or Low Level-Sensitive modes, or in Positive Edge-Triggered or Negative Edge-Triggered modes.

16.8.1.2 Interrupt Source Enabling

Each interrupt source, including the FIQ in source 0, can be enabled or disabled by using the command registers Interrupt Enable Command Register (AIC_IEMR) and Interrupt Disable Command Register (AIC_IDCR). The interrupt mask of the selected interrupt source can be read in the Interrupt Mask Register (AIC_IMR). A disabled interrupt does not affect servicing of other interrupts.

16.8.1.3 Interrupt Clearing and Setting

All interrupt sources programmed to be edge-triggered (including the FIQ in source 0) can be individually set or cleared by writing respectively the Interrupt Set Command Register (AIC_ISCR) and Interrupt Clear Command Register (AIC_ICCR). Clearing or setting interrupt sources programmed in Level-Sensitive mode has no effect.

The clear operation is perfunctory, as the software must perform an action to reset the “memorization” circuitry activated when the source is programmed in Edge-Triggered mode. However, the set operation is available for auto-test or software debug purposes. It can also be used to execute an AIC-implementation of a software interrupt.

The AIC features an automatic clear of the current interrupt when AIC_IVR (Interrupt Vector Register) is read. Only the interrupt source being detected by the AIC as the current interrupt is affected by this operation. (See [Section 16.8.3.1 Priority Controller](#).) The automatic clear reduces the operations required by the interrupt service routine entry code to read AIC_IVR. Note that the automatic interrupt clear is disabled if the interrupt source has the Fast Forcing feature enabled, as it is considered uniquely as an FIQ source. (For further details, see [Section 16.8.4.4 Fast Forcing](#)).

The automatic clear of interrupt source 0 is performed when AIC_FVR is read.

16.8.1.4 Interrupt Status

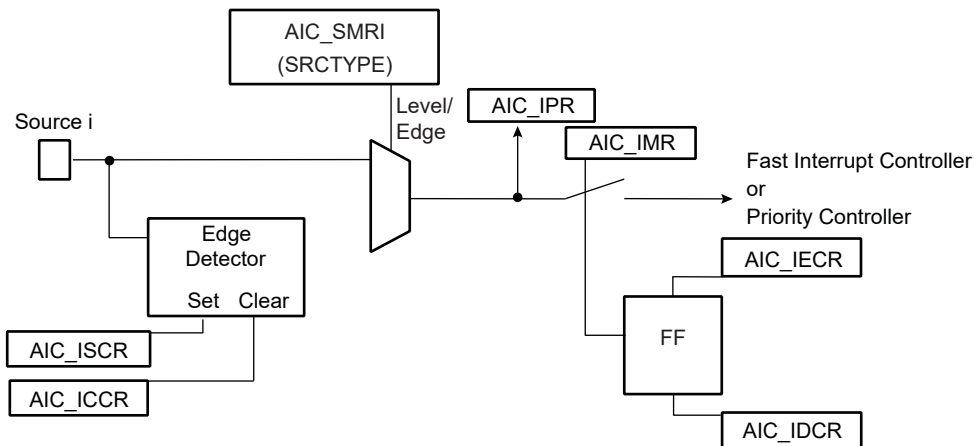
Interrupt Pending Registers (AIC_IPR) represent the state of the interrupt lines, whether they are masked or not. AIC_IMR can be used to define the mask of the interrupt lines.

The Interrupt Status Register (AIC_ISR) reads the number of the current interrupt (see [Section 16.8.3.1 Priority Controller](#)) and the Core Interrupt Status Register (AIC_CISR) gives an image of the nIRQ and nFIQ signals driven on the processor.

Each status referred to above can be used to optimize the interrupt handling of the systems.

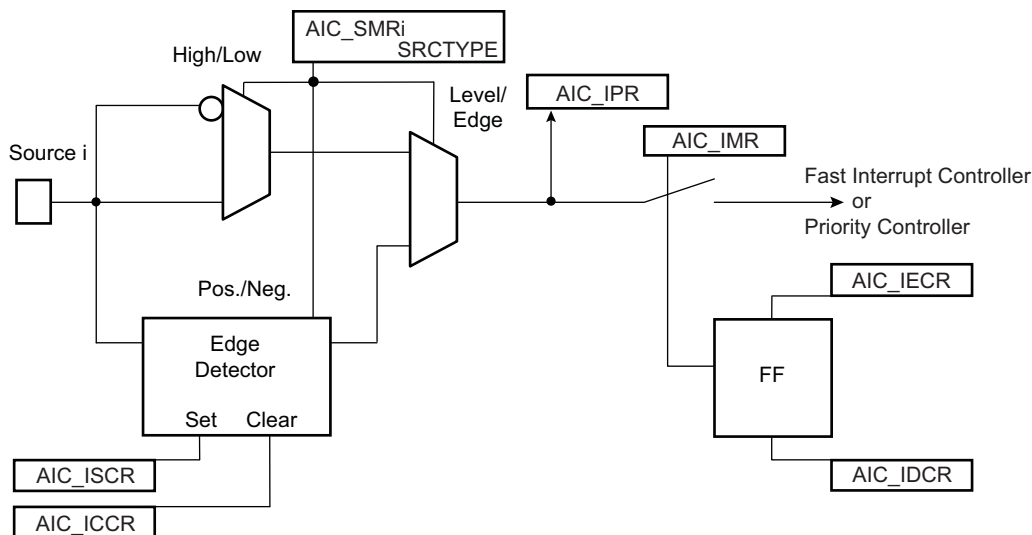
16.8.1.5 Internal Interrupt Source Input Stage

Figure 16-4: Internal Interrupt Source Input Stage



16.8.1.6 External Interrupt Source Input Stage

Figure 16-5: External Interrupt Source Input Stage



16.8.2 Interrupt Latencies

Global interrupt latencies depend on several parameters, including:

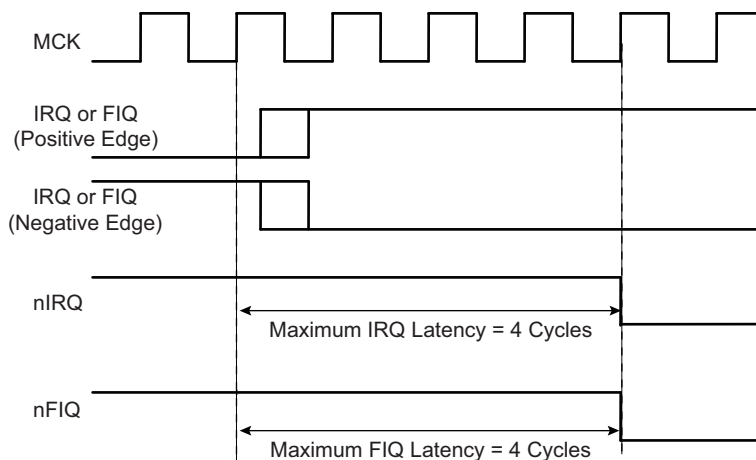
- The time the software masks the interrupts
- Occurrence, either at the processor level or at the AIC level
- The execution time of the instruction in progress when the interrupt occurs
- The treatment of higher priority interrupts and the resynchronization of the hardware signals

This section addresses hardware resynchronizations only. It gives details about the latency times between the events on an external interrupt leading to a valid interrupt (edge or level) or the assertion of an internal interrupt source and the assertion of the nIRQ or nFIQ line on the processor. The resynchronization time depends on the programming of the interrupt source and on its type (internal or external). For the standard interrupt, resynchronization times are given assuming there is no higher priority in progress.

The PIO Controller multiplexing has no effect on the interrupt latencies of the external interrupt sources.

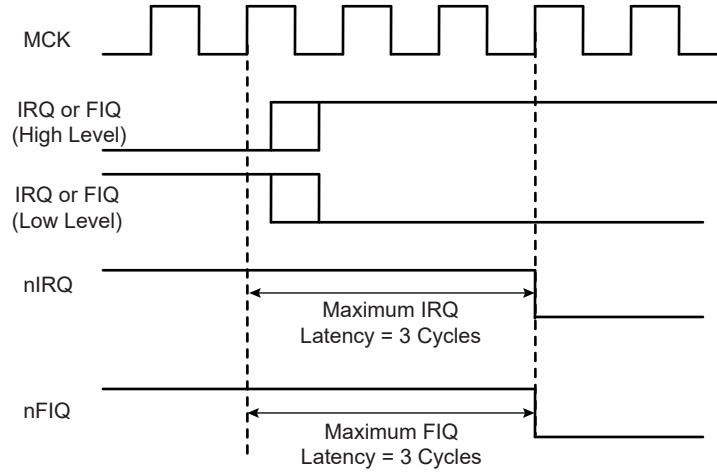
16.8.2.1 External Interrupt Edge Triggered Source

Figure 16-6: External Interrupt Edge Triggered Source



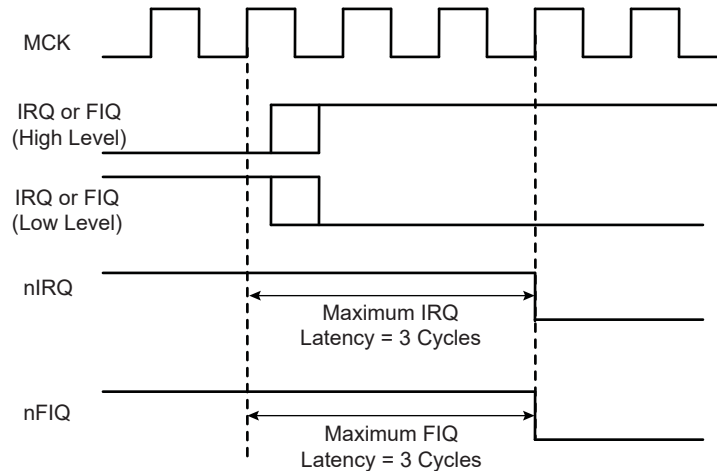
16.8.2.2 External Interrupt Level Sensitive Source

Figure 16-7: External Interrupt Level Sensitive Source



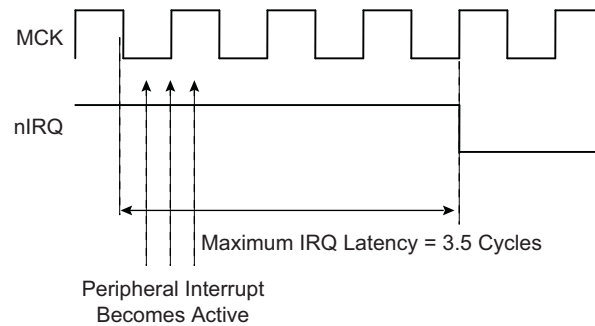
16.8.2.3 Internal Interrupt Edge Triggered Source

Figure 16-8: Internal Interrupt Edge Triggered Source



16.8.2.4 Internal Interrupt Level Sensitive Source

Figure 16-9: Internal Interrupt Level Sensitive Source



16.8.3 Normal Interrupt

16.8.3.1 Priority Controller

An 8-level priority controller drives the nIRQ line of the processor, depending on the interrupt conditions occurring on the interrupt sources 1 to 127 (except for those programmed in Fast Forcing).

Each interrupt source has a programmable priority level of 7 to 0, which is user-definable by writing the PRIOR field of AIC_SMR (Source Mode Register). Level 7 is the highest priority and level 0 the lowest.

As soon as an interrupt condition occurs, as defined by the SRCTYPE field in AIC_SMR (Source Mode Register), the nIRQ line is asserted. As a new interrupt condition might have happened on other interrupt sources since the nIRQ has been asserted, the priority controller determines the current interrupt at the time AIC_IVR (Interrupt Vector Register) is read. The read of AIC_IVR is the entry point of the interrupt handling which allows the AIC to consider that the interrupt has been taken into account by the software.

The current priority level is defined as the priority level of the current interrupt.

If several interrupt sources of equal priority are pending and enabled when AIC_IVR is read, the interrupt with the lowest interrupt source number is serviced first.

The nIRQ line can be asserted only if an interrupt condition occurs on an interrupt source with a higher priority. If an interrupt condition happens (or is pending) during the interrupt treatment in progress, it is delayed until the software indicates to the AIC the end of the current service by writing AIC_EOICR (End of Interrupt Command Register). The write of AIC_EOICR is the exit point of the interrupt handling.

16.8.3.2 Interrupt Nesting

The priority controller utilizes interrupt nesting in order for the high priority interrupt to be handled during the service of lower priority interrupts. This requires the interrupt service routines of the lower interrupts to re-enable the interrupt at the processor level.

When an interrupt of a higher priority happens during an already occurring interrupt service routine, the nIRQ line is re-asserted. If the interrupt is enabled at the core level, the current execution is interrupted and the new interrupt service routine should read AIC_IVR. At this time, the current interrupt number and its priority level are pushed into an embedded hardware stack, so that they are saved and restored when the higher priority interrupt servicing is finished and AIC_EOICR is written.

The AIC is equipped with an 8-level wide hardware stack in order to support up to eight interrupt nestings to match the eight priority levels.

16.8.3.3 Interrupt Handlers

This section gives an overview of the fast interrupt handling sequence when using the AIC. It is assumed that the programmer understands the architecture of the ARM processor, and especially the Processor Interrupt modes and the associated status bits.

It is assumed that:

1. The Advanced Interrupt Controller has been programmed, AIC_SVR registers are loaded with corresponding interrupt service routine addresses and interrupts are enabled.
2. The instruction at the ARM interrupt exception vector address is required to work with the vectoring. Load the PC with the absolute address of the interrupt handler.

When nIRQ is asserted, if the bit "I" of CPSR is 0, the sequence is as follows:

1. The CPSR is stored in SPSR_irq, the current value of the Program Counter is loaded in the Interrupt link register (R14_irq) and the Program Counter (R15) is loaded with 0x18. In the following cycle during fetch at address 0x1C, the ARM core adjusts R14_irq, decrementing it by four.
2. The ARM core enters Interrupt mode, if it has not already done so.
3. When the instruction loaded at address 0x18 is executed, the program counter is loaded with the value read in AIC_IVR. Reading AIC_IVR has the following effects:
 - Sets the current interrupt to be the pending and enabled interrupt with the highest priority. The current level is the priority level of the current interrupt.
 - De-asserts the nIRQ line on the processor. Even if vectoring is not used, AIC_IVR must be read in order to de-assert nIRQ.
 - Automatically clears the interrupt, if it has been programmed to be edge-triggered.
 - Pushes the current level and the current interrupt number on to the stack.
 - Returns the value written in AIC_SVR corresponding to the current interrupt.
4. The previous step has the effect of branching to the corresponding interrupt service routine. This should start by saving the link register (R14_irq) and SPSR_IRQ. The link register must be decremented by four when it is saved if it is to be restored directly into the program counter at the end of the interrupt. For example, the instruction **SUB PC, LR, #4** may be used.
5. Further interrupts can then be unmasked by clearing the "I" bit in CPSR, allowing re-assertion of the nIRQ to be taken into account by the core. This can happen if an interrupt with a higher priority than the current interrupt occurs.
6. The interrupt handler can then proceed as required, saving the registers that will be used and restoring them at the end. During this

phase, an interrupt of higher priority than the current level will restart the sequence from step 1.

Note: If the interrupt is programmed to be level-sensitive, the source of the interrupt must be cleared during this phase.

7. The “I” bit in CPSR must be set in order to mask interrupts before exiting to ensure that the interrupt is completed in an orderly manner.
8. The End of Interrupt Command Register (AIC_EOICR) must be written in order to indicate to the AIC that the current interrupt is finished. This causes the current level to be popped from the stack, restoring the previous current level if one exists on the stack. If another interrupt is pending, with lower or equal priority than the old current level but with higher priority than the new current level, the nIRQ line is re-asserted, but the interrupt sequence does not immediately start because the “I” bit is set in the core. SPSR_irq is restored. Finally, the saved value of the link register is restored directly into the PC. This has the effect of returning from the interrupt to whatever was being executed before, and of loading the CPSR with the stored SPSR, masking or unmasking the interrupts depending on the state saved in SPSR_irq.

Note: The “I” bit in SPSR is significant. If it is set, it indicates that the ARM core was on the verge of masking an interrupt when the mask instruction was interrupted. Hence, when SPSR is restored, the mask instruction is completed (interrupt is masked).

16.8.4 Fast Interrupt

16.8.4.1 Fast Interrupt Source

Interrupt source 0 is the only source which can raise a fast interrupt request to the processor except if fast forcing is used. Interrupt source 0 is generally connected to a FIQ pin of the product, either directly or through a PIO Controller.

16.8.4.2 Fast Interrupt Control

The fast interrupt logic of the AIC has no priority controller. The mode of interrupt source 0 is programmed with AIC_SMR and INTSEL = 0; the PRIOR field of this register is not used even if it reads what has been written. The SRCTYPE field of AIC_SMR enables programming the fast interrupt source to be positive-edge triggered or negative-edge triggered or high-level sensitive or low-level sensitive.

Writing 0x1 in AIC_IECR (Interrupt Enable Command Register) and AIC_IDCR (Interrupt Disable Command Register) respectively enables and disables the fast interrupt when INTSEL = 0. Bit 0 of AIC_IMR indicates whether the fast interrupt is enabled or disabled.

16.8.4.3 Fast Interrupt Handlers

This section gives an overview of the fast interrupt handling sequence when using the AIC. It is assumed that the programmer understands the architecture of the ARM processor, and especially the Processor Interrupt modes and associated status bits.

Assuming that:

1. The Advanced Interrupt Controller has been programmed, AIC_SVR is loaded with the fast interrupt service routine address, and interrupt source 0 is enabled.
2. The Instruction at address 0x1C (FIQ exception vector address) is required to vector the fast interrupt. Load the PC with the absolute address of the interrupt handler.
3. The user does not need nested fast interrupts.

When nFIQ is asserted, if bit “F” of CPSR is 0, the sequence is:

1. The CPSR is stored in SPSR_fiq, the current value of the program counter is loaded in the FIQ link register (R14_fiq) and the program counter (R15) is loaded with 0x1C. In the following cycle, during fetch at address 0x20, the ARM core adjusts R14_fiq, decrementing it by four.
2. The ARM core enters FIQ mode.

When the instruction loaded at address 0x1C is executed, the program counter is loaded with the value read in AIC_FVR. Reading AIC_FVR has the effect of automatically clearing the fast interrupt, if it has been programmed to be edge-triggered. In this case only, it de-asserts the nFIQ line on the processor.

3. The previous step enables branching to the corresponding interrupt service routine. It is not necessary to save the link register R14_fiq and SPSR_fiq if nested fast interrupts are not needed.
4. The Interrupt Handler can then proceed as required. It is not necessary to save registers R8 to R13 because the FIQ mode has its own dedicated registers and registers R8 to R13 are banked. The other registers, R0 to R7, must be saved before being used, and restored at the end (before the next step).

Note: If the fast interrupt is programmed to be level-sensitive, the source of the interrupt must be cleared during this phase in order to de-assert interrupt source 0.

5. Finally, Link Register R14_fiq is restored into the PC after decrementing it by four (with instruction `SUB PC, LR, #4` for example). This has the effect of returning from the interrupt to whatever was being executed before, loading the CPSR with the SPSR and masking or unmasking the fast interrupt depending on the state saved in the SPSR.

SAMA5D3 SERIES

Note: The “F” bit in SPSR is significant. If it is set, it indicates that the ARM core was just about to mask FIQ interrupts when the mask instruction was interrupted. Hence, when the SPSR is restored, the interrupted instruction is completed (FIQ is masked).

Another way to handle the fast interrupt is to map the interrupt service routine at the address of the ARM vector 0x1C. This method does not use vectoring, so that reading AIC_FVR must be performed at the very beginning of the handler operation. However, this method saves the execution of a branch instruction.

16.8.4.4 Fast Forcing

The Fast Forcing feature of the advanced interrupt controller provides redirection of any normal Interrupt source on the fast interrupt controller.

Fast Forcing is enabled or disabled by writing to the Fast Forcing Enable Register (AIC_FFER) and the Fast Forcing Disable Register (AIC_FFDR). Writing to these registers results in an update of the Fast Forcing Status Register (AIC_FFSR) that controls the feature for each internal or external interrupt source.

When Fast Forcing is disabled, the interrupt sources are handled as described in the previous sections.

When Fast Forcing is enabled, the edge/level programming and, in certain cases, edge detection of the interrupt source is still active but the source cannot trigger a normal interrupt to the processor and is not seen by the priority handler.

If the interrupt source is programmed in Level-Sensitive mode and an active level is sampled, Fast Forcing results in the assertion of the nFIQ line to the core.

If the interrupt source is programmed in Edge-Triggered mode and an active edge is detected, Fast Forcing results in the assertion of the nFIQ line to the core.

The Fast Forcing feature does not affect the Source 0 pending bit in AIC_IPR.

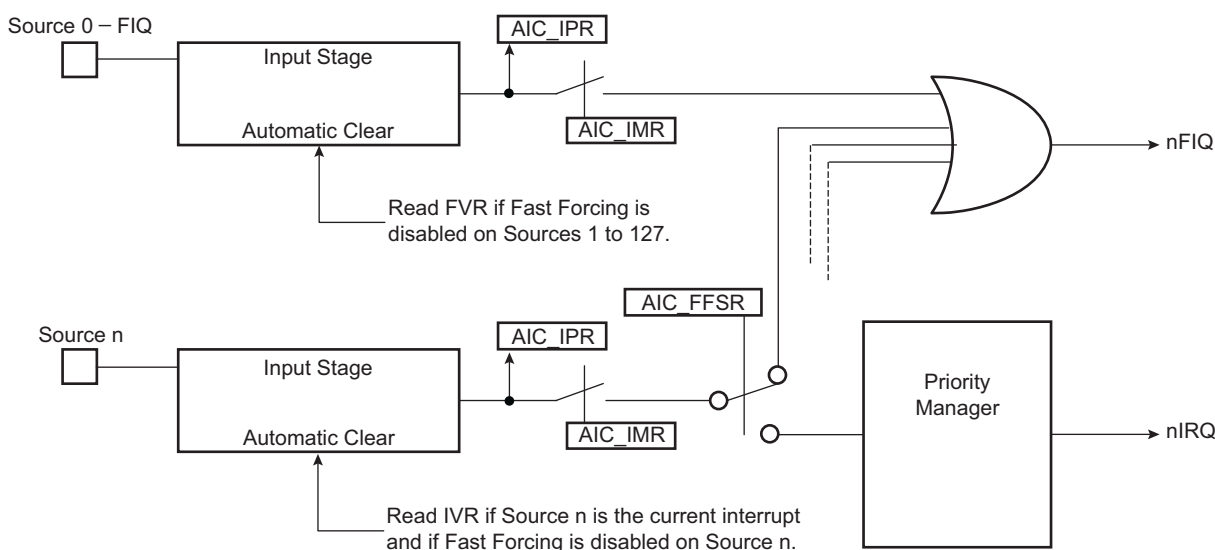
The FIQ Vector Register (AIC_FVR) reads the contents of Source Vector Register 0 (AIC_SVR0), whatever the source of the fast interrupt may be. The read of the FVR does not clear Source 0 when the fast forcing feature is used and the interrupt source should be cleared by writing to AIC_ICCR.

All enabled and pending interrupt sources that have the fast forcing feature enabled and that are programmed in Edge-Triggered mode must be cleared by writing to the Interrupt Clear Command Register. In doing so, they are cleared independently and thus lost interrupts are prevented.

The read of AIC_IVR does not clear the source that has the fast forcing feature enabled.

Source 0, reserved to the fast interrupt, continues operating normally and becomes one of the Fast Interrupt sources.

Figure 16-10: Fast Forcing



16.8.5 Protect Mode

The Protect mode is used to read the Interrupt Vector Register without performing the associated automatic operations. This is necessary when working with a debug system. When a debugger, working either with a Debug Monitor or the ARM processor's ICE, stops the applications and updates the opened windows, it might read the AIC User Interface and thus the IVR. This has adverse consequences:

- If an enabled interrupt with a higher priority than the current one is pending, it is stacked.
- If there is no enabled pending interrupt, the spurious vector is returned.

In either case, an End of Interrupt command is necessary to acknowledge and restore the context of the AIC. This operation is generally not performed by the debug system, as the debug system would become strongly intrusive and cause the application to enter an undesired state.

This is avoided by using the Protect mode. Writing PROT in AIC_DCR (Debug Control Register) at 0x1 enables the Protect mode.

When the Protect mode is enabled, the AIC performs interrupt stacking only when a write access is performed on AIC_IVR. Therefore, the Interrupt Service Routines must write (arbitrary data) to AIC_IVR just after reading it. The new context of the AIC, including the value of AIC_ISR, is updated with the current interrupt only when AIC_IVR is written.

An AIC_IVR read on its own (e.g., by a debugger) modifies neither the AIC context nor AIC_ISR. Extra AIC_IVR reads perform the same operations. However, it is recommended to not stop the processor between the read and the write of AIC_IVR of the interrupt service routine to make sure the debugger does not modify the AIC context.

To summarize, in normal operating mode, the read of AIC_IVR performs the following operations within the AIC:

1. Calculates active interrupt (higher than current or spurious).
2. Determines and returns the vector of the active interrupt.
3. Memorizes the interrupt.
4. Pushes the current priority level onto the internal stack.
5. Acknowledges the interrupt.

However, while the Protect mode is activated, only operations 1 to 3 are performed when AIC_IVR is read. Operations 4 and 5 are only performed by the AIC when AIC_IVR is written.

Software that has been written and debugged using the Protect mode runs correctly in normal mode without modification. However, in normal mode, the AIC_IVR write has no effect and can be removed to optimize the code.

16.8.6 Spurious Interrupt

The Advanced Interrupt Controller features a protection against spurious interrupts. A spurious interrupt is defined as being the assertion of an interrupt source long enough for the AIC to assert the nIRQ, but no longer present when AIC_IVR is read. This is most prone to occur when:

- An external interrupt source is programmed in Level-Sensitive mode and an active level occurs for only a short time.
- An internal interrupt source is programmed in level-sensitive and the output signal of the corresponding embedded peripheral is activated for a short time (as is the case for the watchdog).
- An interrupt occurs just a few cycles before the software begins to mask it, thus resulting in a pulse on the interrupt source.

The AIC detects a spurious interrupt at the time AIC_IVR is read while no enabled interrupt source is pending. When this happens, the AIC returns the value stored by the programmer in the Spurious Vector Register (AIC_SPU). The programmer must store the address of a spurious interrupt handler in AIC_SPU as part of the application, to enable an as fast as possible return to the normal execution flow. This handler writes in AIC_EOICR and performs a return from interrupt.

16.8.7 General Interrupt Mask

The AIC features a General Interrupt Mask bit (GMSK in AIC_DCR) to prevent interrupts from reaching the processor. Both the nIRQ and the nFIQ lines are driven to their inactive state if the GMSK is set. However, this mask does not prevent waking up the processor if it has entered Idle mode. This function facilitates synchronizing the processor on a next event and, as soon as the event occurs, performs subsequent operations without having to handle an interrupt. It is strongly recommended to use this mask with caution.

16.8.8 Register Write Protection

To prevent any single software error from corrupting AIC behavior, certain registers in the address space can be write-protected by setting the WPEN bit in the [AIC Write Protection Mode Register](#) (AIC_WPMR).

If a write access to a write-protected register is detected, the WPVS flag in the [AIC Write Protection Status Register](#) (AIC_WPSR) is set and the field WPVSR indicates the register in which the write access has been attempted.

The WPVS bit is automatically cleared after reading AIC_WPSR.

The following registers can be write-protected:

- [AIC Source Mode Register](#)
- [AIC Source Vector Register](#)
- [AIC Spurious Interrupt Vector Register](#)
- [AIC Debug Control Register](#)

SAMA5D3 SERIES

16.9 Advanced Interrupt Controller (AIC) User Interface

Table 16-3: Register Mapping

Offset	Register	Name	Access	Reset
0x00	Source Select Register	AIC_SSR	Read/Write	0x0
0x04	Source Mode Register	AIC_SMR	Read/Write	0x0
0x08	Source Vector Register	AIC_SVR	Read/Write	0x0
0x0C	Reserved	–	–	–
0x10	Interrupt Vector Register	AIC_IVR	Read-only	0x0
0x14	FIQ Vector Register	AIC_FVR	Read-only	0x0
0x18	Interrupt Status Register	AIC_ISR	Read-only	0x0
0x1C	Reserved	–	–	–
0x20	Interrupt Pending Register 0 ⁽²⁾	AIC_IPR0	Read-only	0x0 ⁽¹⁾
0x24	Interrupt Pending Register 1 ⁽²⁾	AIC_IPR1	Read-only	0x0 ⁽¹⁾
0x28	Interrupt Pending Register 2 ⁽²⁾	AIC_IPR2	Read-only	0x0 ⁽¹⁾
0x2C	Interrupt Pending Register 3 ⁽²⁾	AIC_IPR3	Read-only	0x0 ⁽¹⁾
0x30	Interrupt Mask Register	AIC_IMR	Read-only	0x0
0x34	Core Interrupt Status Register	AIC_CISR	Read-only	0x0
0x38	End of Interrupt Command Register	AIC_EOICR	Write-only	–
0x3C	Spurious Interrupt Vector Register	AIC_SPU	Read/Write	0x0
0x40	Interrupt Enable Command Register	AIC_IECR	Write-only	–
0x44	Interrupt Disable Command Register	AIC_IDCR	Write-only	–
0x48	Interrupt Clear Command Register	AIC_ICCR	Write-only	–
0x4C	Interrupt Set Command Register	AIC_ISCR	Write-only	–
0x50	Fast Forcing Enable Register	AIC_FFER	Write-only	–
0x54	Fast Forcing Disable Register	AIC_FFDR	Write-only	–
0x58	Fast Forcing Status Register	AIC_FFSR	Read-only	0x0
0x5C	Reserved	–	–	–
0x60–0x68	Reserved	–	–	–
0x6C	Debug Control Register	AIC_DCR	Read/Write	0x0
0x70–0xE0	Reserved	–	–	–
0xE4	Write Protection Mode Register	AIC_WPMR	Read/Write	0x0
0xE8	Write Protection Status Register	AIC_WPSR	Read-only	0x0
0xEC–0xFC	Reserved	–	–	–

Note 1: The reset value of this register depends on the level of the external interrupt source. All other sources are cleared at reset, thus not pending.

2: PID2...PID127 bit fields refer to the identifiers as defined in the Peripheral Identifiers section.

16.9.1 AIC Source Select Register

Name:AIC_SSR

Address:0xFFFFF000

Access:Read/Write

31	30	29	28	27	26	25	24
–	–	–	–	–	–	–	–
23	22	21	20	19	18	17	16
–	–	–	–	–	–	–	–
15	14	13	12	11	10	9	8
–	–	–	–	–	–	–	–
7	6	5	4	3	2	1	0
–	INTSEL						

INTSEL: Interrupt Line Selection

0–127 = Selects the interrupt line to handle.

See [Section 16.8.1.1 Interrupt Source Mode](#).

SAMA5D3 SERIES

16.9.2 AIC Source Mode Register

Name:AIC_SMR

Address:0xFFFFF004

Access:Read/Write

31	30	29	28	27	26	25	24
–	–	–	–	–	–	–	–
23	22	21	20	19	18	17	16
–	–	–	–	–	–	–	–
15	14	13	12	11	10	9	8
–	–	–	–	–	–	–	–
7	6	5	4	3	2	1	0
–	SRCTYPE		–	–	PRIOR		

This register can only be written if the WPEN bit is cleared in the [AIC Write Protection Mode Register](#).

PRIOR: Priority Level

Programs the priority level of the source selected by INTSEL except FIQ source (source 0).

The priority level can be between 0 (lowest) and 7 (highest).

The priority level is not used for the FIQ.

SRCTYPE: Interrupt Source Type

The active level or edge is not programmable for the internal interrupt source selected by INTSEL.

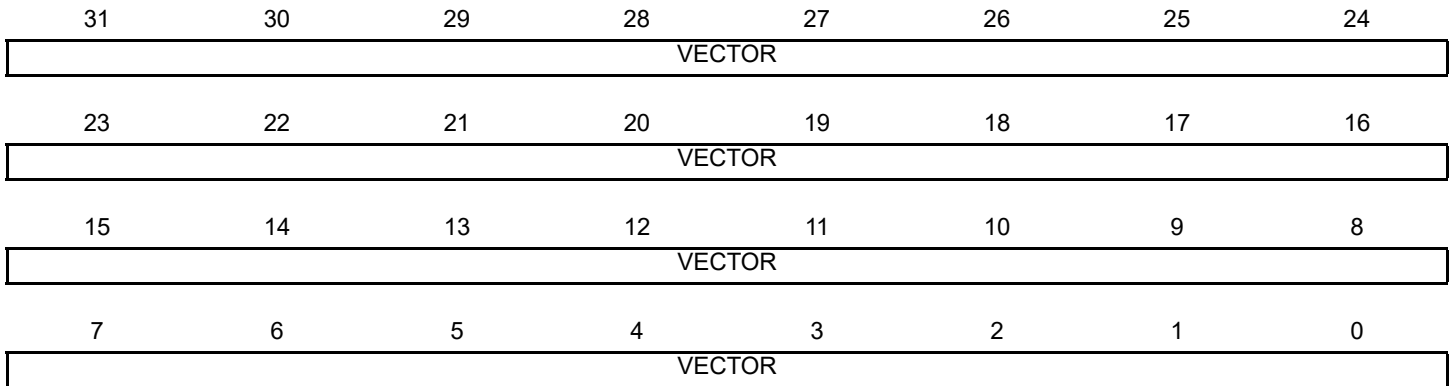
Value	Name	Description
0	INT_LEVEL_SENSITIVE	High level Sensitive for internal source Low level Sensitive for external source
1	INT_EDGE_TRIGGERED	Positive edge triggered for internal source Negative edge triggered for external source
2	EXT_HIGH_LEVEL	High level Sensitive for internal source High level Sensitive for external source
3	EXT_POSITIVE_EDGE	Positive edge triggered for internal source Positive edge triggered for external source

16.9.3 AIC Source Vector Register

Name:AIC_SVR

Address:0xFFFFF008

Access:Read/Write



This register can only be written if the WPEN bit is cleared in the [AIC Write Protection Mode Register](#).

VECTOR: Source Vector

The user may store in this register the address of the corresponding handler for the interrupt source selected by INTSEL.

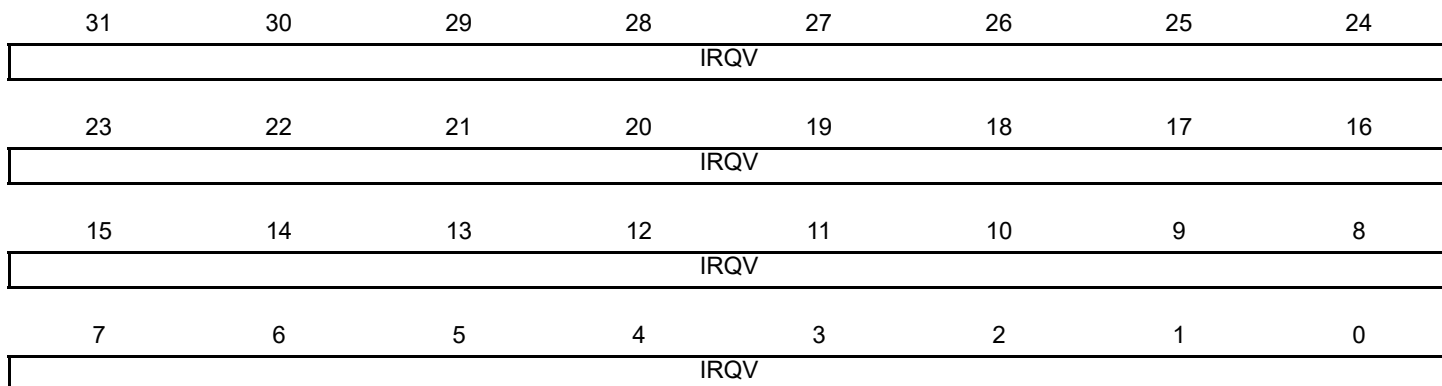
SAMA5D3 SERIES

16.9.4 AIC Interrupt Vector Register

Name: AIC_IVR

Address: 0xFFFFF010

Access: Read-only



IRQV: Interrupt Vector Register

The Interrupt Vector Register contains the vector programmed by the user in the Source Vector Register corresponding to the current interrupt.

The Source Vector Register is indexed using the current interrupt number when the Interrupt Vector Register is read.

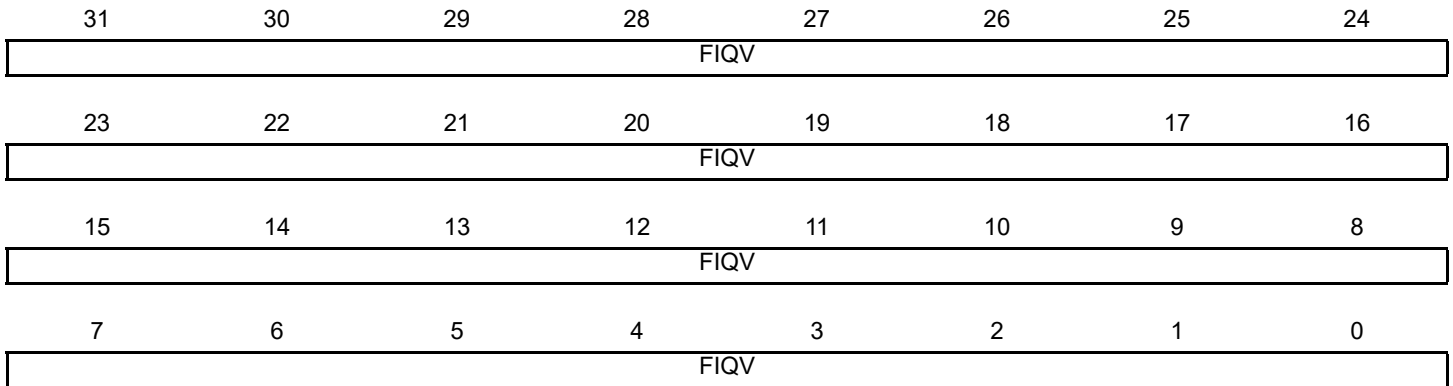
When there is no current interrupt, the Interrupt Vector Register reads the value stored in AIC_SPU.

16.9.5 AIC FIQ Vector Register

Name: AIC_FVR

Address: 0xFFFFF014

Access: Read-only



FIQV: FIQ Vector Register

The FIQ Vector Register contains the vector programmed by the user in the Source Vector Register when INTSEL = 0. When there is no fast interrupt, the FIQ Vector Register reads the value stored in AIC_SPU.

SAMA5D3 SERIES

16.9.6 AIC Interrupt Status Register

Name: AIC_ISR

Address: 0xFFFFF018

Access: Read-only

31	30	29	28	27	26	25	24
–	–	–	–	–	–	–	–
23	22	21	20	19	18	17	16
–	–	–	–	–	–	–	–
15	14	13	12	11	10	9	8
–	–	–	–	–	–	–	–
7	6	5	4	3	2	1	0
–	IRQID						

IRQID: Current Interrupt Identifier

The Interrupt Status Register returns the current interrupt source number.

16.9.7 AIC Interrupt Pending Register 0

Name: AIC_IPR0

Address: 0xFFFFF020

Access: Read-only

31	30	29	28	27	26	25	24
PID31	PID30	PID29	PID28	PID27	PID26	PID25	PID24
23	22	21	20	19	18	17	16
PID23	PID22	PID21	PID20	PID19	PID18	PID17	PID16
15	14	13	12	11	10	9	8
PID15	PID14	PID13	PID12	PID11	PID10	PID9	PID8
7	6	5	4	3	2	1	0
PID7	PID6	PID5	PID4	PID3	PID2	SYS	FIQ

FIQ: Interrupt Pending

0: The corresponding interrupt is not pending.

1: The corresponding interrupt is pending.

SYS: Interrupt Pending

0: The corresponding interrupt is not pending.

1: The corresponding interrupt is pending.

PIDx: Interrupt Pending

0: The corresponding interrupt is not pending.

1: The corresponding interrupt is pending.

SAMA5D3 SERIES

16.9.8 AIC Interrupt Pending Register 1

Name: AIC_IPR1

Address: 0xFFFFF024

Access: Read-only

31	30	29	28	27	26	25	24
PID63	PID62	PID61	PID60	PID59	PID58	PID57	PID56
23	22	21	20	19	18	17	16
PID55	PID54	PID53	PID52	PID51	PID50	PID49	PID48
15	14	13	12	11	10	9	8
PID47	PID46	PID45	PID44	PID43	PID42	PID41	PID40
7	6	5	4	3	2	1	0
PID39	PID38	PID37	PID36	PID35	PID34	PID33	PID32

PIDx: Interrupt Pending

0: The corresponding interrupt is not pending.

1: The corresponding interrupt is pending.

16.9.9 AIC Interrupt Pending Register 2

Name: AIC_IPR2

Address: 0xFFFFF028

Access: Read-only

31	30	29	28	27	26	25	24
PID95	PID94	PID93	PID92	PID91	PID90	PID89	PID88
23	22	21	20	19	18	17	16
PID87	PID86	PID85	PID84	PID83	PID82	PID81	PID80
15	14	13	12	11	10	9	8
PID79	PID78	PID77	PID76	PID75	PID74	PID73	PID72
7	6	5	4	3	2	1	0
PID71	PID70	PID69	PID68	PID67	PID66	PID65	PID64

PIDx: Interrupt Pending

0: The corresponding interrupt is not pending.

1: The corresponding interrupt is pending.

SAMA5D3 SERIES

16.9.10 AIC Interrupt Pending Register 3

Name: AIC_IPR3

Address: 0xFFFFF02C

Access: Read-only

31	30	29	28	27	26	25	24
PID127	PID126	PID125	PID124	PID123	PID122	PID121	PID120
23	22	21	20	19	18	17	16
PID119	PID118	PID117	PID116	PID115	PID114	PID113	PID112
15	14	13	12	11	10	9	8
PID111	PID110	PID109	PID108	PID107	PID106	PID105	PID104
7	6	5	4	3	2	1	0
PID103	PID102	PID101	PID100	PID99	PID98	PID97	PID96

PIDx: Interrupt Pending

0: The corresponding interrupt is not pending.

1: The corresponding interrupt is pending.

16.9.11 AIC Interrupt Mask Register

Name:AIC_IMR

Address:0xFFFFF030

Access:Read-only

31	30	29	28	27	26	25	24
–	–	–	–	–	–	–	–
23	22	21	20	19	18	17	16
–	–	–	–	–	–	–	–
15	14	13	12	11	10	9	8
–	–	–	–	–	–	–	–
7	6	5	4	3	2	1	0
–	–	–	–	–	–	–	INTM

INTM: Interrupt Mask

0: The interrupt source selected by INTSEL is disabled.

1: The interrupt source selected by INTSEL is enabled.

SAMA5D3 SERIES

16.9.12 AIC Core Interrupt Status Register

Name: AIC_CISR

Address: 0xFFFFF034

Access: Read-only

31	30	29	28	27	26	25	24
–	–	–	–	–	–	–	–
23	22	21	20	19	18	17	16
–	–	–	–	–	–	–	–
15	14	13	12	11	10	9	8
–	–	–	–	–	–	–	–
7	6	5	4	3	2	1	0
–	–	–	–	–	–	NIRQ	NFIQ

NFIQ: NFIQ Status

0: nFIQ line is deactivated.

1: nFIQ line is active.

NIRQ: NIRQ Status

0: nIRQ line is deactivated.

1: nIRQ line is active.

16.9.13 AIC End of Interrupt Command Register

Name:AIC_EOICR

Address:0xFFFFF038

Access:Write-only

31	30	29	28	27	26	25	24
–	–	–	–	–	–	–	–
23	22	21	20	19	18	17	16
–	–	–	–	–	–	–	–
15	14	13	12	11	10	9	8
–	–	–	–	–	–	–	–
7	6	5	4	3	2	1	0
–	–	–	–	–	–	–	ENDIT

ENDIT: Interrupt Processing Complete Command

The End of Interrupt Command Register is used by the interrupt routine to indicate that the interrupt treatment is complete. Any value can be written because it is only necessary to make a write to this register location to signal the end of interrupt treatment.

SAMA5D3 SERIES

16.9.14 AIC Spurious Interrupt Vector Register

Name:AIC_SPU

Address:0xFFFFF03C

Access:Read/Write

31	30	29	28	27	26	25	24
SIVR							
23	22	21	20	19	18	17	16
SIVR							
15	14	13	12	11	10	9	8
SIVR							
7	6	5	4	3	2	1	0
SIVR							

This register can only be written if the WPEN bit is cleared in the [AIC Write Protection Mode Register](#).

SIVR: Spurious Interrupt Vector Register

The user may store the address of a spurious interrupt handler in this register. The written value is returned in AIC_IVR in case of a spurious interrupt, or in AIC_FVR in case of a spurious fast interrupt.

16.9.15 AIC Interrupt Enable Command Register

Name: AIC_IOCR

Address: 0xFFFFF040

Access: Write-only

31	30	29	28	27	26	25	24
–	–	–	–	–	–	–	–
23	22	21	20	19	18	17	16
–	–	–	–	–	–	–	–
15	14	13	12	11	10	9	8
–	–	–	–	–	–	–	–
7	6	5	4	3	2	1	0
–	–	–	–	–	–	–	INTEN

INTEN: Interrupt Enable

0: No effect.

1: Enables the interrupt source selected by INTSEL.

SAMA5D3 SERIES

16.9.16 AIC Interrupt Disable Command Register

Name: AIC_IDCR

Address: 0xFFFFF044

Access: Write-only

31	30	29	28	27	26	25	24
–	–	–	–	–	–	–	–
23	22	21	20	19	18	17	16
–	–	–	–	–	–	–	–
15	14	13	12	11	10	9	8
–	–	–	–	–	–	–	–
7	6	5	4	3	2	1	0
–	–	–	–	–	–	–	INTD

INTD: Interrupt Disable

0: No effect.

1: Disables the interrupt source selected by INTSEL.

16.9.17 AIC Interrupt Clear Command Register

Name:AIC_ICCR

Address:0xFFFFF048

Access:Write-only

31	30	29	28	27	26	25	24
–	–	–	–	–	–	–	–
23	22	21	20	19	18	17	16
–	–	–	–	–	–	–	–
15	14	13	12	11	10	9	8
–	–	–	–	–	–	–	–
7	6	5	4	3	2	1	0
–	–	–	–	–	–	–	INTCLR

INTCLR: Interrupt Clear

Clears one the following depending on the setting of the INTSEL bit FIQ, SYS, PID2-PID127

0: No effect.

1: Clears the interrupt source selected by INTSEL.

SAMA5D3 SERIES

16.9.18 AIC Interrupt Set Command Register

Name: AIC_ISCR

Address: 0xFFFFF04C

Access: Write-only

31	30	29	28	27	26	25	24
–	–	–	–	–	–	–	–
23	22	21	20	19	18	17	16
–	–	–	–	–	–	–	–
15	14	13	12	11	10	9	8
–	–	–	–	–	–	–	–
7	6	5	4	3	2	1	0
–	–	–	–	–	–	–	INTSET

INTSET: Interrupt Set

0: No effect.

1: Sets the interrupt source selected by INTSEL.

16.9.19 AIC Fast Forcing Enable Register

Name:AIC_FFER

Address:0xFFFFF050

Access:Write-only

31	30	29	28	27	26	25	24
–	–	–	–	–	–	–	–
23	22	21	20	19	18	17	16
–	–	–	–	–	–	–	–
15	14	13	12	11	10	9	8
–	–	–	–	–	–	–	–
7	6	5	4	3	2	1	0
–	–	–	–	–	–	–	FFEN

FFEN: Fast Forcing Enable

0: No effect.

1: Enables the fast forcing feature on the interrupt source selected by INTSEL.

SAMA5D3 SERIES

16.9.20 AIC Fast Forcing Disable Register

Name:AIC_FFDR

Address:0xFFFFF054

Access:Write-only

31	30	29	28	27	26	25	24
–	–	–	–	–	–	–	–
23	22	21	20	19	18	17	16
–	–	–	–	–	–	–	–
15	14	13	12	11	10	9	8
–	–	–	–	–	–	–	–
7	6	5	4	3	2	1	0
–	–	–	–	–	–	–	FFDIS

FFDIS: Fast Forcing Disable

0: No effect.

1: Disables the Fast Forcing feature on the interrupt source selected by INTSEL.

16.9.21 AIC Fast Forcing Status Register

Name:AIC_FFSR

Address:0xFFFFF058

Access:Read-only

31	30	29	28	27	26	25	24
–	–	–	–	–	–	–	–
23	22	21	20	19	18	17	16
–	–	–	–	–	–	–	–
15	14	13	12	11	10	9	8
–	–	–	–	–	–	–	–
7	6	5	4	3	2	1	0
–	–	–	–	–	–	–	FFS

FFS: Fast Forcing Status

0: The Fast Forcing feature is disabled on the interrupt source selected by INTSEL.

1: The Fast Forcing feature is enabled on the interrupt source selected by INTSEL.

SAMA5D3 SERIES

16.9.22 AIC Debug Control Register

Name:AIC_DCR

Address:0xFFFFF06C

Access:Read/Write

31	30	29	28	27	26	25	24
–	–	–	–	–	–	–	–
23	22	21	20	19	18	17	16
–	–	–	–	–	–	–	–
15	14	13	12	11	10	9	8
–	–	–	–	–	–	–	–
7	6	5	4	3	2	1	0
–	–	–	–	–	–	GMSK	PROT

This register can only be written if the WPEN bit is cleared in the [AIC Write Protection Mode Register](#).

PROT: Protection Mode

0: The Protection mode is disabled.

1: The Protection mode is enabled.

GMSK: General Interrupt Mask

0: The nIRQ and nFIQ lines are normally controlled by the AIC.

1: The nIRQ and nFIQ lines are tied to their inactive state.

16.9.23 AIC Write Protection Mode Register

Name:AIC_WPMR

Address:0xFFFFF0E4

Access:Read/Write

31	30	29	28	27	26	25	24
WPKEY							
23	22	21	20	19	18	17	16
WPKEY							
15	14	13	12	11	10	9	8
WPKEY							
7	6	5	4	3	2	1	0
–	–	–	–	–	–	–	WPEN

WPEN: Write Protection Enable

0: Disables the write protection if WPKEY corresponds to 0x414943 (“AIC” in ASCII).

1: Enables the write protection if WPKEY corresponds to 0x414943 (“AIC” in ASCII).

See [Section 16.8.8 Register Write Protection](#) for the list of registers that can be protected.

WPKEY: Write Protection Key

Value	Name	Description
0x414943	PASSWD	Writing any other value in this field aborts the write operation of the WPEN bit. Always reads as 0.

SAMA5D3 SERIES

16.9.24 AIC Write Protection Status Register

Name:AIC_WPSR

Address:0xFFFFF0E8

Access:Read-only

31	30	29	28	27	26	25	24
–	–	–	–	–	–	–	–
23	22	21	20	19	18	17	16
WPVSRC							
15	14	13	12	11	10	9	8
WPVSRC							
7	6	5	4	3	2	1	0
–	–	–	–	–	–	–	WPVS

WPVS: Write Protection Violation Status

0: No write protection violation has occurred since the last read of AIC_WPSR.

1: A write protection violation has occurred since the last read of AIC_WPSR. If this violation is an unauthorized attempt to write a protected register, the associated violation is reported into field WPVSRC.

WPVSRC: Write Protection Violation Source

When WPVS = 1, WPVSRC indicates the register address offset at which a write access has been attempted.

17. Watchdog Timer (WDT)

17.1 Description

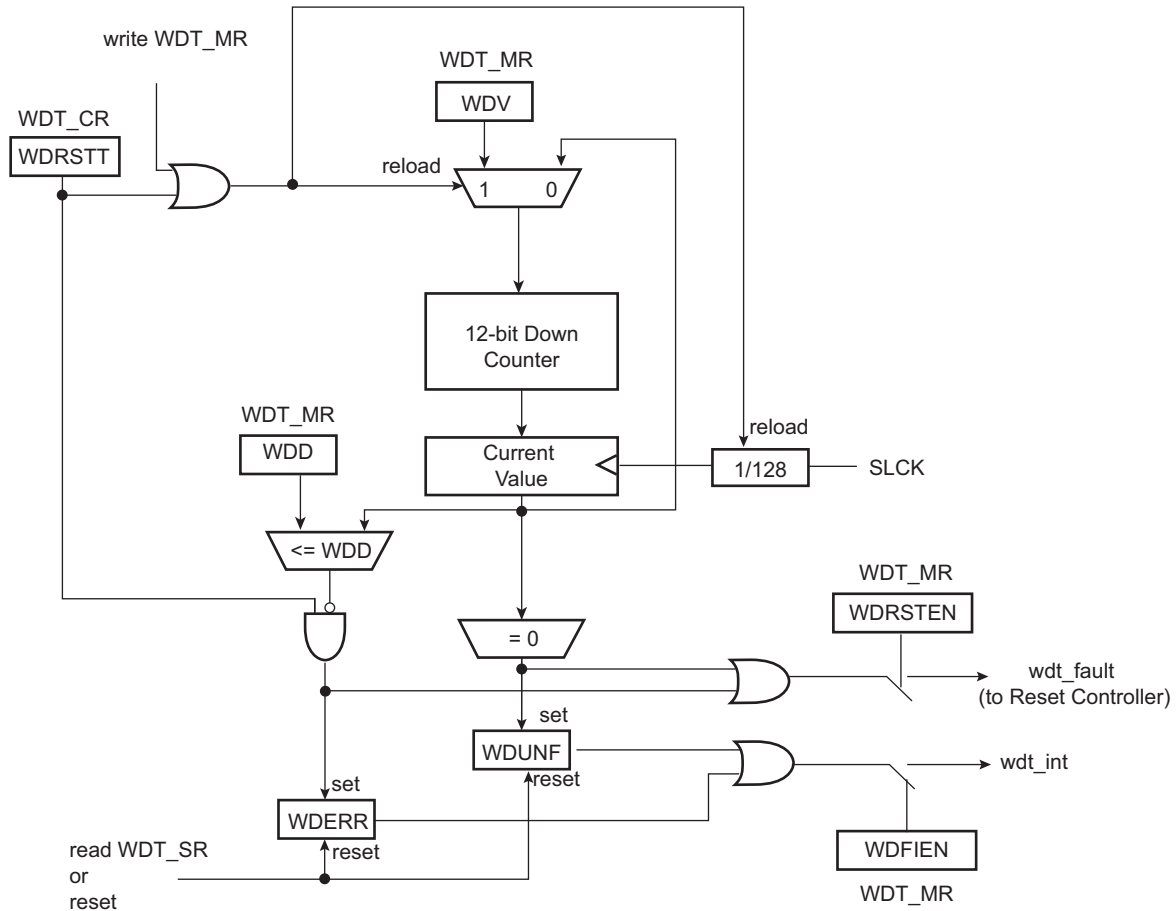
The Watchdog Timer (WDT) is used to prevent system lock-up if the software becomes trapped in a deadlock. It features a 12-bit down counter that allows a watchdog period of up to 16 seconds (slow clock around 32 kHz). It can generate a general reset or a processor reset only. In addition, it can be stopped while the processor is in Debug mode or Sleep mode (Idle mode).

17.2 Embedded Characteristics

- 12-bit Key-protected Programmable Counter
- Watchdog Clock is Independent from Processor Clock
- Provides Reset or Interrupt Signals to the System
- Counter May Be Stopped while the Processor is in Debug State or in Idle Mode

17.3 Block Diagram

Figure 17-1: Watchdog Timer Block Diagram



17.4 Functional Description

The Watchdog Timer is used to prevent system lock-up if the software becomes trapped in a deadlock. It is supplied with VDDCORE. It restarts with initial values on processor reset.

The watchdog is built around a 12-bit down counter, which is loaded with the value defined in the field WDV of the Mode register (WDT_MR). The Watchdog Timer uses the slow clock divided by 128 to establish the maximum watchdog period to be 16 seconds (with a typical slow clock of 32.768 kHz).

After a processor reset, the value of WDV is 0xFFFF, corresponding to the maximum value of the counter with the external reset generation enabled (field WDRSTEN at 1 after a backup reset). This means that a default watchdog is running at reset, i.e., at power-up. The user can either disable the WDT by setting bit WDT_MR.WDDIS or reprogram the WDT to meet the maximum watchdog period the application requires.

When setting the WDDIS bit, and while it is set, the fields WDV and WDD must not be modified.

If the watchdog is restarted by writing into the Control register (WDT_CR), WDT_MR must not be programmed during a period of time of three slow clock periods following the WDT_CR write access. In any case, programming a new value in WDT_MR automatically initiates a restart instruction.

WDT_MR can be written only once. Only a processor reset resets it. Writing WDT_MR reloads the timer with the newly programmed mode parameters.

In normal operation, the user reloads the watchdog at regular intervals before the timer underflow occurs, by setting bit WDT_CR.WDRSTT. The watchdog counter is then immediately reloaded from WDT_MR and restarted, and the slow clock 128 divider is reset and restarted. WDT_CR is write-protected. As a result, writing WDT_CR without the correct hard-coded key has no effect. If an underflow does occur, the “wdt_fault” signal to the Reset Controller is asserted if bit WDT_MR.WDRSTEN is set. Moreover, the bit WDUNF is set in the Status register (WDT_SR).

To prevent a software deadlock that continuously triggers the watchdog, the reload of the watchdog must occur while the watchdog counter is within a window between 0 and WDD. WDD is defined in WDT_MR.

Any attempt to restart the watchdog while the watchdog counter is between WDV and WDD results in a watchdog error, even if the watchdog is disabled. The bit WDT_SR.WDERR is updated and the “wdt_fault” signal to the Reset Controller is asserted.

Note that this feature can be disabled by programming a WDD value greater than or equal to the WDV value. In such a configuration, restarting the Watchdog Timer is permitted in the whole range [0; WDV] and does not generate an error. This is the default configuration on reset (the WDD and WDV values are equal).

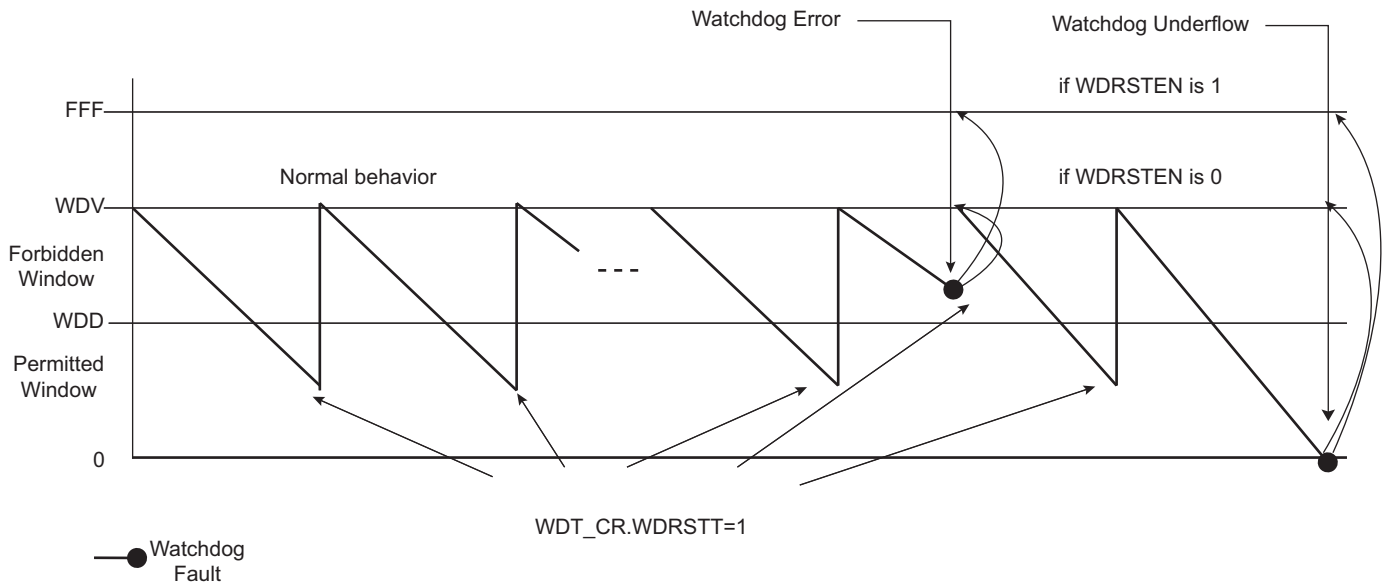
The status bits WDUNF (Watchdog Underflow) and WDERR (Watchdog Error) trigger an interrupt, provided the bit WDT_MR.WDFIEN is set. The signal “wdt_fault” to the Reset Controller causes a watchdog reset if the WDRSTEN bit is set as already explained in the Reset Controller documentation. In this case, the processor and the Watchdog Timer are reset, and the WDERR and WDUNF flags are reset.

If a reset is generated or if WDT_SR is read, the status bits are reset, the interrupt is cleared, and the “wdt_fault” signal to the reset controller is deasserted.

Writing WDT_MR reloads and restarts the down counter.

While the processor is in debug state or in Sleep mode, the counter may be stopped depending on the value programmed for the bits WDIDLEHLT and WDDBGHLT in WDT_MR.

Figure 17-2: Watchdog Behavior



SAMA5D3 SERIES

17.5 Watchdog Timer (WDT) User Interface

Table 17-1: Register Mapping

Offset	Register	Name	Access	Reset
0x00	Control Register	WDT_CR	Write-only	–
0x04	Mode Register	WDT_MR	Read/Write Once	0x3FFF_2FFF
0x08	Status Register	WDT_SR	Read-only	0x0000_0000

17.5.1 Watchdog Timer Control Register

Name:WDT_CR

Address:0xFFFFFE40

Access:Write-only

31	30	29	28	27	26	25	24
KEY							
23	22	21	20	19	18	17	16
–	–	–	–	–	–	–	–
15	14	13	12	11	10	9	8
–	–	–	–	–	–	–	–
7	6	5	4	3	2	1	0
–	–	–	–	–	–	–	WDRSTT

Note: The WDT_CR register values must not be modified within three slow clock periods following a restart of the watchdog performed by a write access in WDT_CR. Any modification will cause the watchdog to trigger an end of period earlier than expected.

WDRSTT: Watchdog Restart

0: No effect.

1: Restarts the watchdog if KEY is written to 0xA5.

KEY: Password

Value	Name	Description
0xA5	PASSWD	Writing any other value in this field aborts the write operation.

SAMA5D3 SERIES

17.5.2 Watchdog Timer Mode Register

Name: WDT_MR

Address: 0xFFFFFE44

Access: Read/Write Once

31	30	29	28	27	26	25	24
–	–	WDIDLEHLT	WDDBGHLT	WDD			
23	22	21	20	19	18	17	16
WDD							
15	14	13	12	11	10	9	8
WDDIS	WDRPROC	WDRSTEN	WDFIEN	WDV			
7	6	5	4	3	2	1	0
WDV							

Note 1: The first write access prevents any further modification of the value of this register. Read accesses remain possible.

2: The WDT_MR register values must not be modified within three slow clock periods following a restart of the watchdog performed by a write access in WDT_CR. Any modification will cause the watchdog to trigger an end of period earlier than expected.

WDV: Watchdog Counter Value

Defines the value loaded in the 12-bit watchdog counter.

WDFIEN: Watchdog Fault Interrupt Enable

0: A watchdog fault (underflow or error) has no effect on interrupt.

1: A watchdog fault (underflow or error) asserts interrupt.

WDRSTEN: Watchdog Reset Enable

0: A watchdog fault (underflow or error) has no effect on the resets.

1: A watchdog fault (underflow or error) triggers a watchdog reset.

WDRPROC: Watchdog Reset Processor

0: If WDRSTEN is 1, a watchdog fault (underflow or error) activates all resets.

1: If WDRSTEN is 1, a watchdog fault (underflow or error) activates the processor reset.

WDDIS: Watchdog Disable

0: Enables the Watchdog Timer.

1: Disables the Watchdog Timer.

Note: When setting the WDDIS bit, and while it is set, the fields WDV and WDD must not be modified.

WDD: Watchdog Delta Value

Defines the permitted range for reloading the Watchdog Timer.

If the Watchdog Timer value is less than or equal to WDD, setting bit WDT_CR.WDRSTT restarts the timer.

If the Watchdog Timer value is greater than WDD, setting bit WDT_CR.WDRSTT causes a watchdog error.

WDDBGHLT: Watchdog Debug Halt

0: The watchdog runs when the processor is in debug state.

1: The watchdog stops when the processor is in debug state.

WDIDLEHLT: Watchdog Idle Halt

0: The watchdog runs when the system is in idle state.

1: The watchdog stops when the system is in idle state.

17.5.3 Watchdog Timer Status Register

Name:WDT_SR

Address:0xFFFFFE48

AccessRead-only

31	30	29	28	27	26	25	24
–	–	–	–	–	–	–	–
23	22	21	20	19	18	17	16
–	–	–	–	–	–	–	–
15	14	13	12	11	10	9	8
–	–	–	–	–	–	–	–
7	6	5	4	3	2	1	0
–	–	–	–	–	–	WDERR	WDUNF

WDUNF: Watchdog Underflow (cleared on read)

0: No watchdog underflow occurred since the last read of WDT_SR.

1: At least one watchdog underflow occurred since the last read of WDT_SR.

WDERR: Watchdog Error (cleared on read)

0: No watchdog error occurred since the last read of WDT_SR.

1: At least one watchdog error occurred since the last read of WDT_SR.

SAMA5D3 SERIES

18. Reset Controller (RSTC)

18.1 Description

The Reset Controller (RSTC), based on power-on reset cells, handles all the resets of the system without any external components. It reports which reset occurred last.

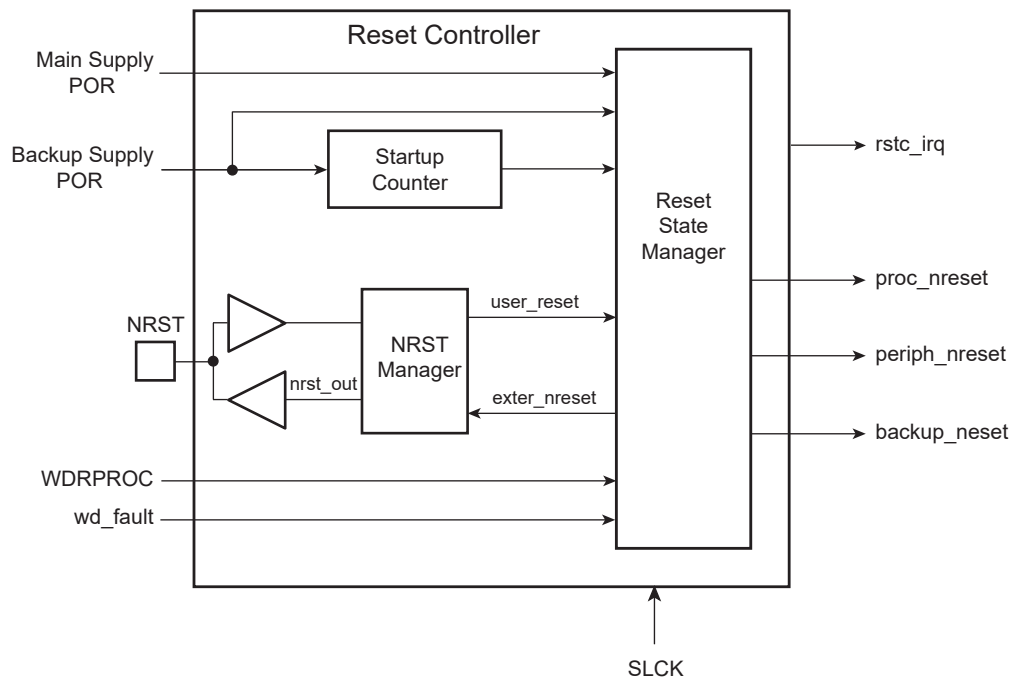
The Reset Controller also drives independently or simultaneously the external reset and the peripheral and processor resets.

18.2 Embedded Characteristics

- Manages All Resets of the System, Including
 - External Devices Through the NRST Pin
 - Processor Reset
 - Peripheral Set Reset
 - Backed-up Peripheral Reset
- Based on 2 Embedded Power-on Reset Cells
- Reset Source Status
 - Status of the Last Reset
 - Either General Reset, Wake-up Reset, Software Reset, User Reset, Watchdog Reset
- External Reset Signal Shaping

18.3 Block Diagram

Figure 18-1: Reset Controller Block Diagram



18.4 Functional Description

18.4.1 Reset Controller Overview

The Reset Controller is made up of an NRST Manager, a Startup Counter and a Reset State Manager. It runs at Slow Clock and generates the following reset signals:

- `proc_nreset`: Processor reset line. It also resets the Watchdog Timer.
- `backup_nreset`: Affects all the peripherals powered by VDDDBU.
- `periph_nreset`: Affects the whole set of embedded peripherals.
- `nrst_out`: Drives the NRST pin.

These reset signals are asserted by the Reset Controller, either on external events or on software action. The Reset State Manager controls the generation of reset signals and provides a signal to the NRST Manager when an assertion of the NRST pin is required.

The NRST Manager shapes the NRST assertion during a programmable time, thus controlling external device resets.

The startup counter waits for the complete crystal oscillator startup. The wait delay is given by the crystal oscillator startup time maximum value that can be found in the section “Crystal Oscillator Characteristics” in the “Electrical Characteristics” section of the product datasheet.

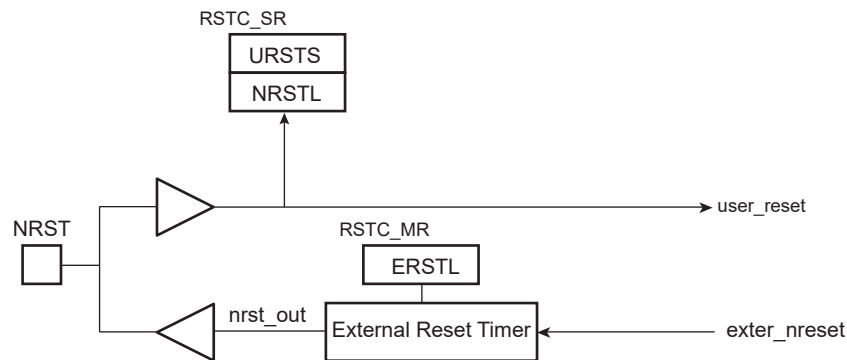
The Mode register (`RSTC_MR`), used to configure the reset controller, is powered with VDDDBU, so that its configuration is saved as long as VDDDBU is on.

18.4.2 NRST Manager

After power-up, NRST is an output during the External Reset Length (ERSTL) time defined in the RSTC. When the ERSTL time has elapsed, the pin behaves as an input and all the system is held in reset if NRST is tied to GND by an external signal.

The NRST Manager samples the NRST input pin and drives this pin low when required by the Reset State Manager. [Figure 18-2](#) shows the block diagram of the NRST Manager.

Figure 18-2: NRST Manager



18.4.2.1 NRST Signal

The NRST Manager handles the NRST input line asynchronously. When the line is low, a User Reset is immediately reported to the Reset State Manager. When the NRST goes from low to high, the internal reset is synchronized with the Slow Clock to provide a safe internal de-assertion of reset.

The level of the pin NRST can be read at any time in the bit NRSTL (NRST level) in the Status register (`RSTC_SR`). As soon as the pin NRST is asserted, the bit URSTS in the `RSTC_SR` is set. This bit clears only when `RSTC_SR` is read.

18.4.2.2 NRST External Reset Control

The Reset State Manager asserts the signal `ext_nreset` to assert the NRST pin. When this occurs, the “`nrst_out`” signal is driven low by the NRST Manager for a time programmed by the field `ERSTL` in the `RSTC_MR`. This assertion duration, named `EXTERNAL_RESET_LENGTH`, lasts $2^{(ERSTL+1)}$ Slow Clock cycles. This gives the approximate duration of an assertion between 60 μ s and 2 seconds. Note that `ERSTL` at 0 defines a two-cycle duration for the NRST pulse.

This feature allows the reset controller to shape the NRST pin level, and thus to ensure that the NRST line is driven low for a time compliant with potential external devices connected on the system reset.

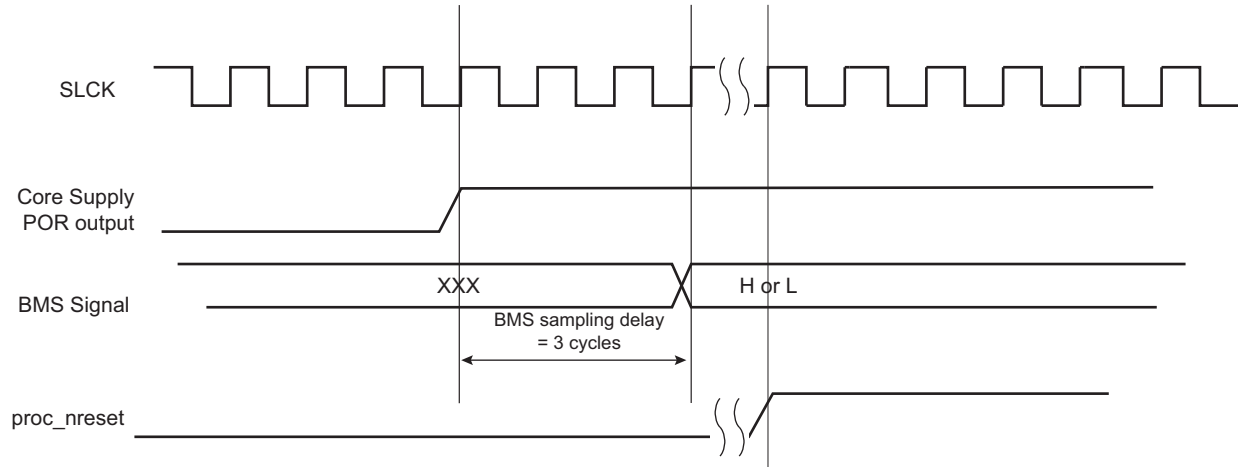
As the field is within `RSTC_MR`, which is backed-up, this field can be used to shape the system power-up reset for devices requiring a longer startup time than the Slow Clock Oscillator.

SAMA5D3 SERIES

18.4.3 BMS Sampling

The product matrix manages a boot memory that depends on the level on the BMS pin at reset. The BMS signal is sampled three slow clock cycles after the Core Power-on Reset output rising edge.

Figure 18-3: BMS Sampling



18.4.4 Reset States

The Reset State Manager handles the different reset sources and generates the internal reset signals. It reports the reset status in the field RSTTYP of the RSTC_SR. The update of the field RSTTYP is performed when the processor reset is released.

18.4.4.1 General Reset

A general reset occurs when VDDBU and VDDCORE are powered on. The backup supply POR cell output rises and is filtered with a Startup Counter, which operates at Slow Clock. The purpose of this counter is to make sure the Slow Clock oscillator is stable before starting up the device. The length of startup time is hardcoded to comply with the Slow Clock Oscillator startup time.

After this time, the processor clock is released at Slow Clock and all the other signals remain valid for 3 cycles for proper processor and logic reset. Then, all the reset signals are released and the field RSTTYP in the RSTC_SR reports a General Reset. As the RSTC_MR is reset, the NRST line rises two cycles after the backup_nreset, as ERSTL defaults at value 0x0.

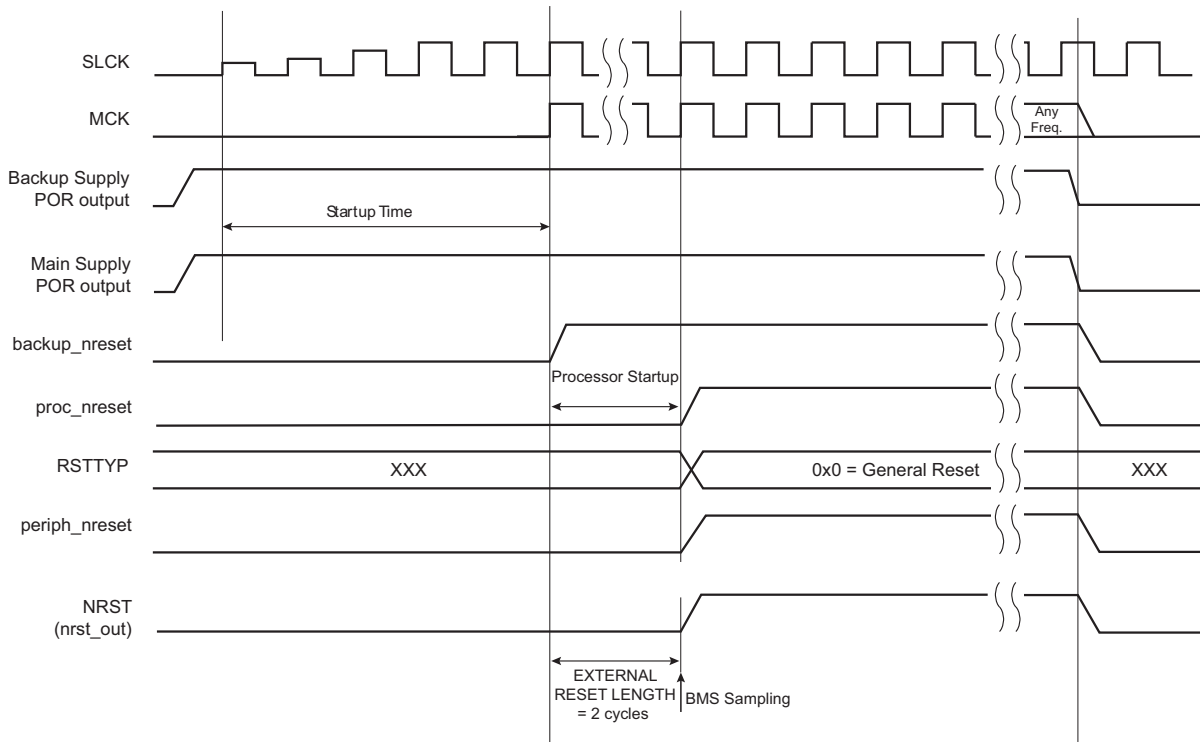
When VDDBU is detected low by the backup supply POR cell, all resets signals are immediately asserted, even if the main supply POR cell does not report a main supply shutdown.

VDDBU only activates the backup_nreset signal.

The backup_nreset must be released so that any other reset can be generated by VDDCORE (main supply POR output).

Figure 18-4 shows how the General Reset affects the reset signals.

Figure 18-4: General Reset State



SAMA5D3 SERIES

18.4.4.2 Wake-up Reset

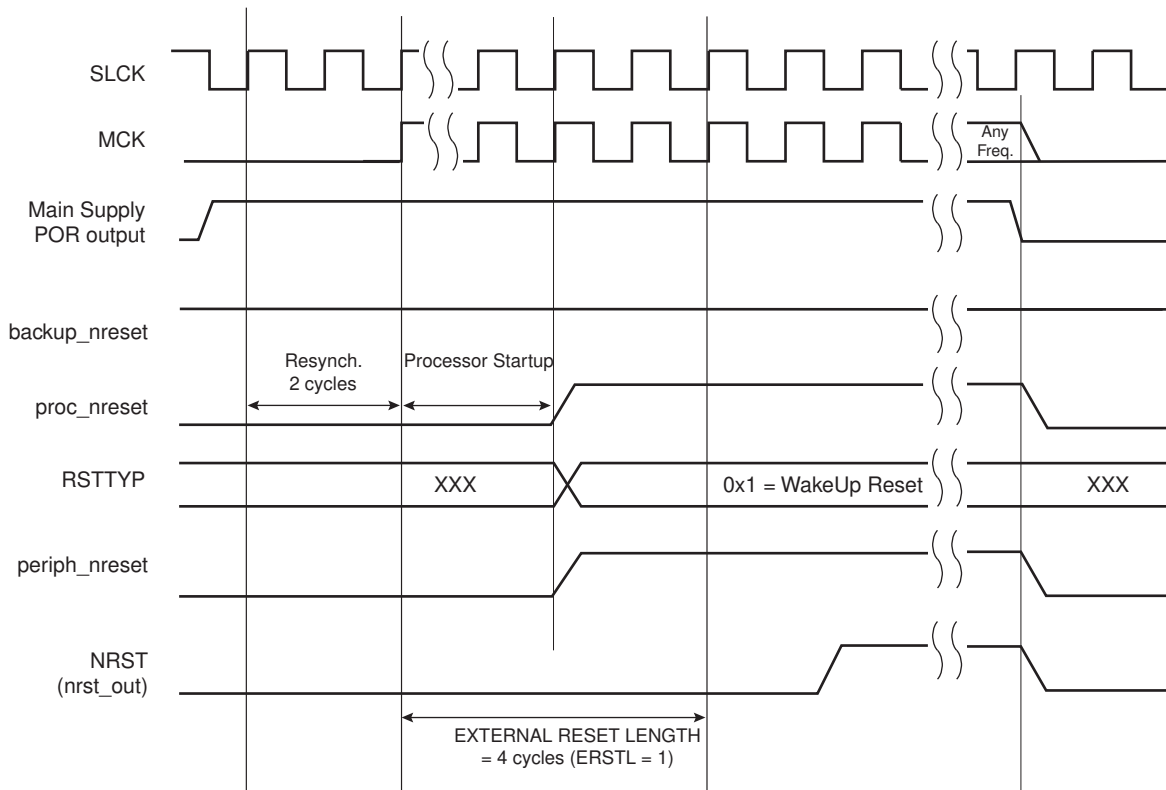
The wake-up reset occurs when the main supply is down. When the main supply POR output is active, all the reset signals are asserted except backup_nreset. When the main supply powers up, the POR output is resynchronized on Slow Clock. The processor clock is then re-enabled during 3 Slow Clock cycles, depending on the requirements of the ARM processor.

At the end of this delay, the processor and other reset signals rise. The field RSTTYP in the RSTC_SR is updated to report a wake-up reset.

The "nrst_out" remains asserted for EXTERNAL_RESET_LENGTH cycles. As RSTC_MR is backed-up, the programmed number of cycles is applicable.

When the main supply is detected falling, the reset signals are immediately asserted. This transition is synchronous with the output of the main supply POR.

Figure 18-5: Wake-up Reset



18.4.4.3 User Reset

The User Reset is entered when a low level is detected on the NRST pin. When a falling edge occurs on NRST (reset activation), internal reset lines are immediately asserted.

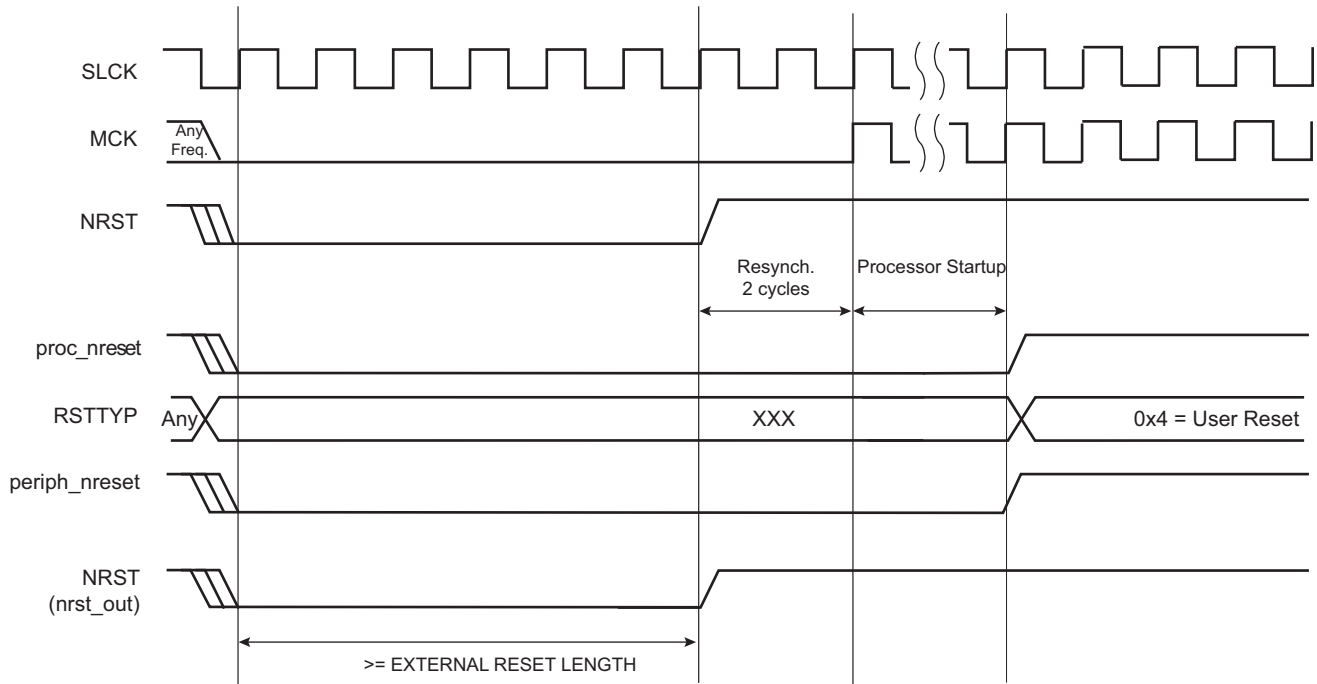
The Processor Reset and the Peripheral Reset are asserted.

The User Reset is left when NRST rises, after a two-cycle resynchronization time and a 3-cycle processor startup. The processor clock is re-enabled as soon as NRST is confirmed high.

When the processor reset signal is released, the RSTTYP field of the RSTC_SR is loaded with the value 0x4, indicating a User Reset.

The NRST Manager ensures that the NRST line is asserted for EXTERNAL_RESET_LENGTH Slow Clock cycles, as programmed in the field ERSTL. However, if NRST does not rise after EXTERNAL_RESET_LENGTH because it is driven low externally, the internal reset lines remain asserted until NRST actually rises.

Figure 18-6: User Reset State



SAMA5D3 SERIES

18.4.4.4 Software Reset

The Reset Controller offers several commands used to assert the different reset signals. These commands are performed by writing the Control register (RSTC_CR) with the following bits at 1:

- PROCRST: Writing a 1 to PROCRST resets the processor and the watchdog timer.
- PERRST: Writing a 1 to PERRST resets all the embedded peripherals, including the memory system, and, in particular, the Remap Command. The Peripheral Reset is generally used for debug purposes. PERRST must always be used in conjunction with PROCRST (PERRST and PROCRST bot set to 1 simultaneously.)
- EXTRST: Writing a 1 to EXTRST asserts low the NRST pin during a time defined by the field ERSTL in the Mode register (RSTC_MR).

The software reset is entered if at least one of these bits is set by the software. All these commands can be performed independently or simultaneously. The software reset lasts 3 Slow Clock cycles.

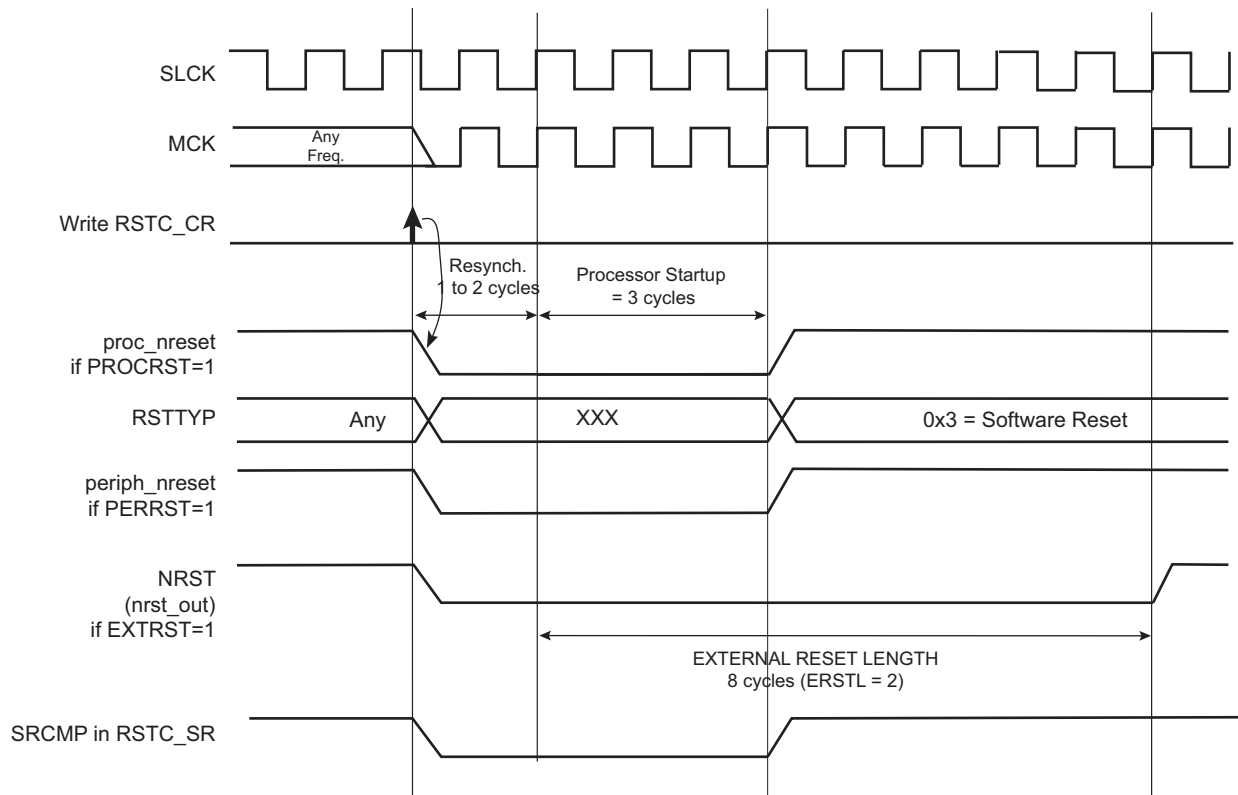
The internal reset signals are asserted as soon as the register write is performed. This is detected on the Master Clock (MCK). They are released when the software reset is left, i.e., synchronously to SLCK.

If EXTRST is set, the nrst_out signal is asserted depending on the programming of the field ERSTL. However, the resulting falling edge on NRST does not lead to a User Reset.

If and only if the PROCRST bit is set, the reset controller reports the software status in the field RSTTYP of the RSTC_SR. Other software resets are not reported in RSTTYP.

As soon as a software operation is detected, the bit SRCMP (Software Reset Command in Progress) is set in the RSTC_SR. It is cleared as soon as the software reset is left. No other software reset can be performed while the SRCMP bit is set, and writing any value in the RSTC_CR has no effect.

Figure 18-7: Software Reset



18.4.4.5 Watchdog Reset

The Watchdog Reset is entered when a watchdog fault occurs. This state lasts 3 Slow Clock cycles.

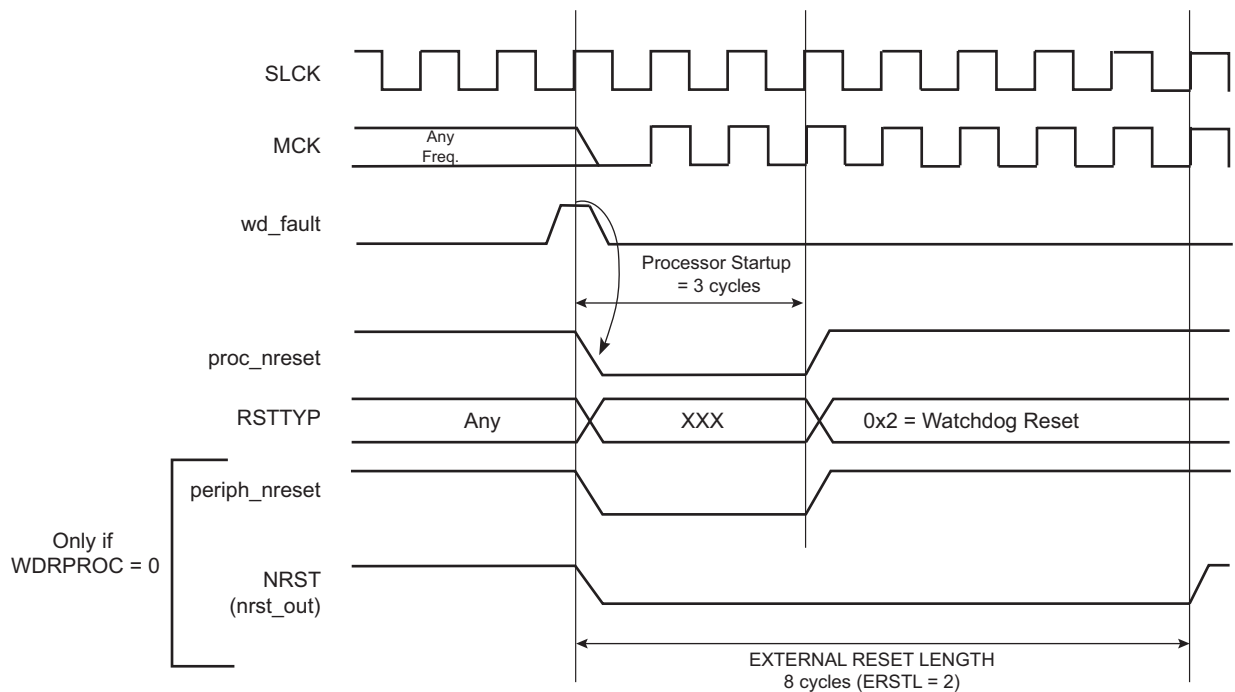
When in Watchdog Reset, assertion of the reset signals depends on the WDRPROC bit in WDT_MR:

- If WDRPROC = 0, the Processor Reset and the Peripheral Reset are asserted. The NRST line is also asserted, depending on how field RSTC_MR.ERSTL is programmed. However, the resulting low level on NRST does not result in a User Reset state.
- If WDRPROC = 1, only the processor reset is asserted.

The Watchdog Timer is reset by the proc_nreset signal. As the watchdog fault always causes a processor reset if WDRSTEN in the WDT_MR is set, the Watchdog Timer is always reset after a Watchdog Reset and the Watchdog is enabled by default and with a period set to a maximum.

When bit WDT_MR.WDRSTEN is reset, the watchdog fault has no impact on the reset controller.

Figure 18-8: Watchdog Reset



18.4.5 Reset State Priorities

The Reset State Manager manages the following priorities between the different reset sources, given in descending order:

- Backup Reset
- Wake-up Reset
- User Reset
- Watchdog Reset
- Software Reset

Particular cases are listed below:

- When in User Reset:
 - A watchdog event is impossible because the Watchdog Timer is being reset by the proc_nreset signal.
 - A software reset is impossible, since the processor reset is being activated.
- When in Software Reset:
 - A watchdog event has priority over the current state.
 - The NRST has no effect.
- When in Watchdog Reset:
 - The processor reset is active and so a Software Reset cannot be programmed.
 - A User Reset cannot be entered.

SAMA5D3 SERIES

18.5 Reset Controller (RSTC) User Interface

Table 18-1: Register Mapping

Offset	Register	Name	Access	Reset	Back-up Reset
0x00	Control Register	RSTC_CR	Write-only	–	–
0x04	Status Register	RSTC_SR	Read-only	0x0000_0100 ⁽¹⁾	0x0000_0000 ⁽²⁾
0x08	Mode Register	RSTC_MR	Read/Write	–	0x0000_0000

Note 1: Only power supply VDDCORE rising

2: Both power supplies VDDCORE and VDDBU rising

18.5.1 Reset Controller Control Register

Name:RSTC_CR

Address:0xFFFFFE00

Access:Write-only

31	30	29	28	27	26	25	24
KEY							
23	22	21	20	19	18	17	16
–	–	–	–	–	–	–	–
15	14	13	12	11	10	9	8
–	–	–	–	–	–		–
7	6	5	4	3	2	1	0
–	–	–	–	EXTRST	PERRST	–	PROCRST

PROCRST: Processor Reset

0: No effect

1: If KEY value = 0xA5, resets the processor

PERRST: Peripheral Reset

0: No effect

1: If KEY value = 0xA5, resets the peripherals

EXTRST: External Reset

0: No effect

1: If KEY value = 0xA5, asserts the NRST pin and resets the processor and the peripherals

KEY: Write Access Password

Value	Name	Description
0xA5	PASSWD	Writing any other value in this field aborts the write operation. Always reads as 0.

SAMA5D3 SERIES

18.5.2 Reset Controller Status Register

Name:RSTC_SR

Address:0xFFFFFE04

Access:Read-only

31	30	29	28	27	26	25	24
–	–	–	–	–	–	–	–
23	22	21	20	19	18	17	16
–	–	–	–	–	–	SRCMP	NRSTL
15	14	13	12	11	10	9	8
–	–	–	–	–	RSTTYP		
7	6	5	4	3	2	1	0
–	–	–	–	–	–		URSTS

URSTS: User Reset Status

A high-to-low transition of the NRST pin sets the URSTS bit. This transition is also detected on the Master Clock (MCK) rising edge. Reading the RSTC_SR resets the URSTS bit.

0: No high-to-low edge on NRST happened since the last read of RSTC_SR.

1: At least one high-to-low transition of NRST has been detected since the last read of RSTC_SR.

RSTTYP: Reset Type

This field reports the cause of the last processor reset. Reading this RSTC_SR does not reset this field.

Value	Name	Description
0	GENERAL_RST	Both VDDCORE and VDDBU rising
1	WKUP_RST	VDDCORE rising
2	WDT_RST	Watchdog fault occurred
3	SOFT_RST	Processor reset required by the software
4	USER_RST	NRST pin detected low

NRSTL: NRST Pin Level

This bit registers the NRST pin level sampled on each Master Clock (MCK) rising edge.

SRCMP: Software Reset Command in Progress

When set, this bit indicates that a Software Reset Command is in progress and that no further software reset should be performed until the end of the current one. This bit is automatically cleared at the end of the current software reset.

0: No software command is being performed by the reset controller. The reset controller is ready for a software command.

1: A software reset command is being performed by the reset controller. The reset controller is busy.

18.5.3 Reset Controller Mode Register

Name:RSTC_MR

Address:0xFFFFFE08

Access:Read/Write

31	30	29	28	27	26	25	24
KEY							
23	22	21	20	19	18	17	16
–	–	–	–	–	–	–	–
15	14	13	12	11	10	9	8
–	–	–	–	ERSTL			
7	6	5	4	3	2	1	0
–	–	–	–	–	–	–	–

ERSTL: External Reset Length

This field defines the external reset length. The external reset is asserted during a time of $2^{(ERSTL+1)}$ Slow Clock cycles. This allows the assertion duration to be programmed between 60 μ s and 2 seconds.

KEY: Write Access Password

Value	Name	Description
0xA5	PASSWD	Writing any other value in this field aborts the write operation. Always reads as 0.

SAMA5D3 SERIES

19. Shutdown Controller (SHDWC)

19.1 Description

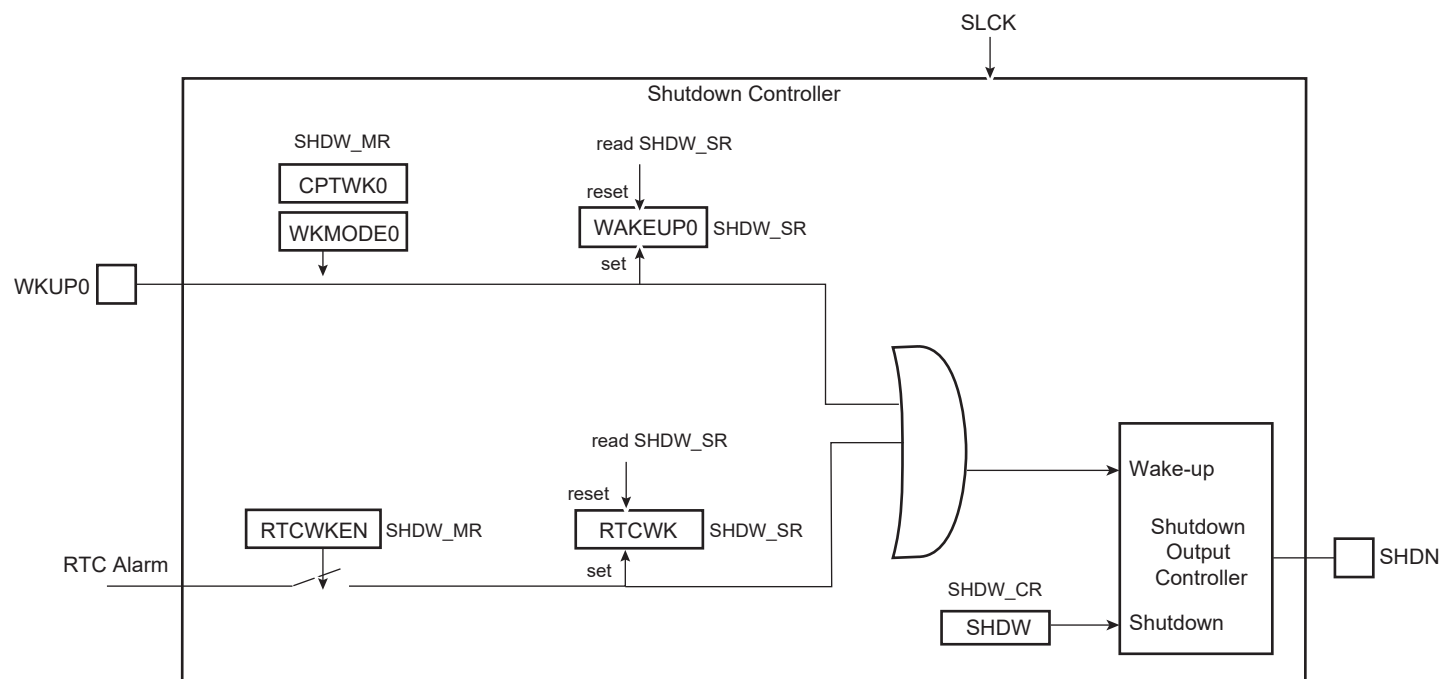
The Shutdown Controller (SHDWC) controls the power supplies VDDIO and VDDCORE and the wake-up detection on debounced input lines.

19.2 Embedded Characteristics

- Shutdown Logic
 - Software Assertion of the Shutdown Output Pin (SHDN)
 - Programmable De-assertion from the WKUP Input Pins
- Wake-up Logic
 - Programmable Assertion from the WKUP Input Pins, and Internal Wake-up Event from RTC

19.3 Block Diagram

Figure 19-1: Shutdown Controller Block Diagram



19.4 I/O Lines Description

Table 19-1: I/O Lines Description

Name	Description	Type
WKUP0	Wake-up 0 input	Input
SHDN	Shutdown output	Output

19.5 Product Dependencies

19.5.1 Power Management

The Shutdown Controller is continuously clocked by the Slow Clock (SLCK). The Power Management Controller has no effect on the behavior of the Shutdown Controller.

19.6 Functional Description

The Shutdown Controller manages the main power supply. To do so, it is supplied with VDDBU and manages wake-up input pins and one output pin, SHDN.

A typical application connects the pin SHDN to the shutdown input of the DC/DC Converter providing the main power supplies of the system, and especially VDDCORE and/or VDDIO. The wake-up inputs (WKUP0) connect to any push-buttons or signal that wake up the system

The software is able to control the pin SHDN by writing the Control register (SHDW_CR) with the bit SHDW at 1. The shutdown is taken into account only two slow clock cycles after the write of SHDW_CR. This register is password-protected and so the value written should contain the correct key for the command to be taken into account. As a result, the system should be powered down.

19.6.1 Wake-up Inputs

A level change on WKUP0 can trigger a wake-up. Wake-up is configured in the Mode register (SHDW_MR). The transition detector can be programmed to detect either a positive or negative transition or any level change on WKUP0. The detection can also be disabled. Programming is performed by defining WKMODE0

Moreover, a debouncing circuit can be programmed for WKUP0. The debouncing circuit filters pulses on WKUP0 shorter than the programmed number of 16 SLCK cycles in CPTWK0 of the SHDW_MR. If the programmed level change is detected on a pin, a counter starts. When the counter reaches the value programmed in the corresponding field, CPTWK0, the SHDN pin is released. If a new input change is detected before the counter reaches the corresponding value, the counter is stopped and cleared. WAKEUP0 of the Status register (SHDW_SR) reports the detection of the programmed events on WKUP0 with a reset after the read of SHDW_SR.

The Shutdown Controller can be programmed so as to activate the wake-up using the RTC alarm (detection of the rising edge event is synchronized with SLCK). This is done by writing the SHDW_MR using the RTCWKEN bit. When enabled, the detection of RTC alarm is reported in the RTCWK bit of SHDW_SR. They are cleared after reading SHDW_SR. When using the RTC alarm to wake up the system, the user must ensure that RTC alarmstatus flag is cleared before shutting down the system. Otherwise, no rising edge of the status flags may be detected and the wake-up will fail.

SAMA5D3 SERIES

19.7 Shutdown Controller (SHDWC) User Interface

Table 19-2: Register Mapping

Offset	Register	Name	Access	Reset
0x00	Shutdown Control Register	SHDW_CR	Write-only	–
0x04	Shutdown Mode Register	SHDW_MR	Read/Write	0x0000_0003
0x08	Shutdown Status Register	SHDW_SR	Read-only	0x0000_0000

19.7.1 Shutdown Control Register

Name:SHDW_CR

Address:0xFFFFFE10

Access:Write-only

31	30	29	28	27	26	25	24
KEY							
23	22	21	20	19	18	17	16
–	–	–	–	–	–	–	–
15	14	13	12	11	10	9	8
–	–	–	–	–	–	–	–
7	6	5	4	3	2	1	0
–	–	–	–	–	–	–	SHDW

SHDW: Shutdown Command

0: No effect.

1: If KEY value is correct, asserts the SHDN pin.

KEY: Password

Value	Name	Description
0xA5	PASSWD	Writing any other value in this field aborts the write operation.

SAMA5D3 SERIES

19.7.2 Shutdown Mode Register

Name: SHDW_MR

Address: 0xFFFFFE14

Access: Read/Write

31	30	29	28	27	26	25	24
–	–	–	–	–	–	–	–
23	22	21	20	19	18	17	16
–	–	–	–	–	–	RTCWKEN	–
15	14	13	12	11	10	9	8
–	–	–	–	–	–	–	–
7	6	5	4	3	2	1	0
CPTWK0				–	–	WKMODE0	

WKMODE0: Wake-up Mode 0

Value	Name	Description
0	NO_DETECTION	No detection is performed on the wake-up input
1	RISING_EDGE	Low to high transition triggers the detection process
2	FALLING_EDGE	High to low level transition triggers the detection process
3	ANY_EDGE	Any edge on the wake-up input triggers the detection process

CPTWK0: Debounce Counter on Wake-up 0

Defines the minimum duration of the WKUP1 pin after the occurrence of the selected triggering edge (WKMODE0).

The SHDN pin is released if the WKUP0 holds the selected level for $(CPTWK \times 16 + 1)$ consecutive Slow Clock cycles after the occurrence of the selected triggering edge on WKUP0.

RTCWKEN: Real-time Clock Wake-up Enable

0: The RTC Alarm signal has no effect on the Shutdown Controller.

1: The RTC Alarm signal forces the de-assertion of the SHDN pin.

19.7.3 Shutdown Status Register

Name:SHDW_SR

Address:0xFFFFFE18

Access:Read-only

31	30	29	28	27	26	25	24
–	–	–	–	–	–	–	–
23	22	21	20	19	18	17	16
–	–	–	–	–	–	RTCWK	–
15	14	13	12	11	10	9	8
–	–	–	–	–	–	–	–
7	6	5	4	3	2	1	0
–	–	–	–	–	–	–	WAKEUP0

WAKEUP0: Wake-up 0 Status

0: No wake-up event occurred on WKUP0 input since the last read of SHDW_SR.

1: At least one wake-up event occurred on WKUP0 input since the last read of SHDW_SR.

RTCWK: Real-time Clock Wake-up

0: No wake-up alarm from the RTC occurred since the last read of SHDW_SR.

1: At least one wake-up alarm from the RTC occurred since the last read of SHDW_SR.

20. General Purpose Backup Registers (GPBR)

20.1 Description

The System Controller embeds 128 bits of General Purpose Backup registers organized as four 32-bit registers.

20.2 Embedded Characteristics

- 128 bits of General Purpose Backup Registers

20.3 General Purpose Backup Registers (GPBR) User Interface

Table 20-1: Register Mapping

Offset	Register	Name	Access	Reset
0x0	General Purpose Backup Register 0	SYS_GPBR0	Read/Write	0x00000000
...
0x6C	General Purpose Backup Register 3	SYS_GPBR3	Read/Write	0x00000000

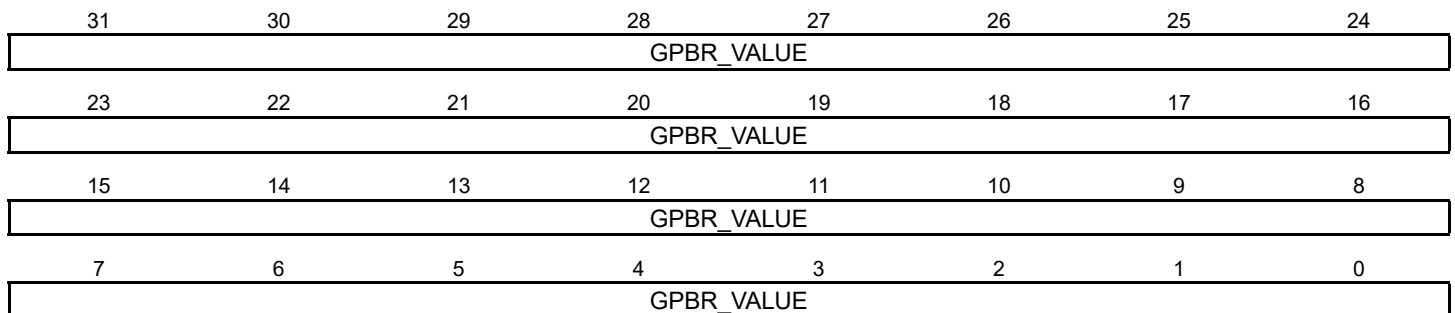
SAMA5D3 SERIES

20.3.1 General Purpose Backup Register x

Name:SYS_GPBRx

Address:0xFFFFFE60

Access:Read/Write



These registers are reset at first power-up and on each loss of VDDBU.

GPBR_VALUE: Value of GPBR x

21. Periodic Interval Timer (PIT)

21.1 Description

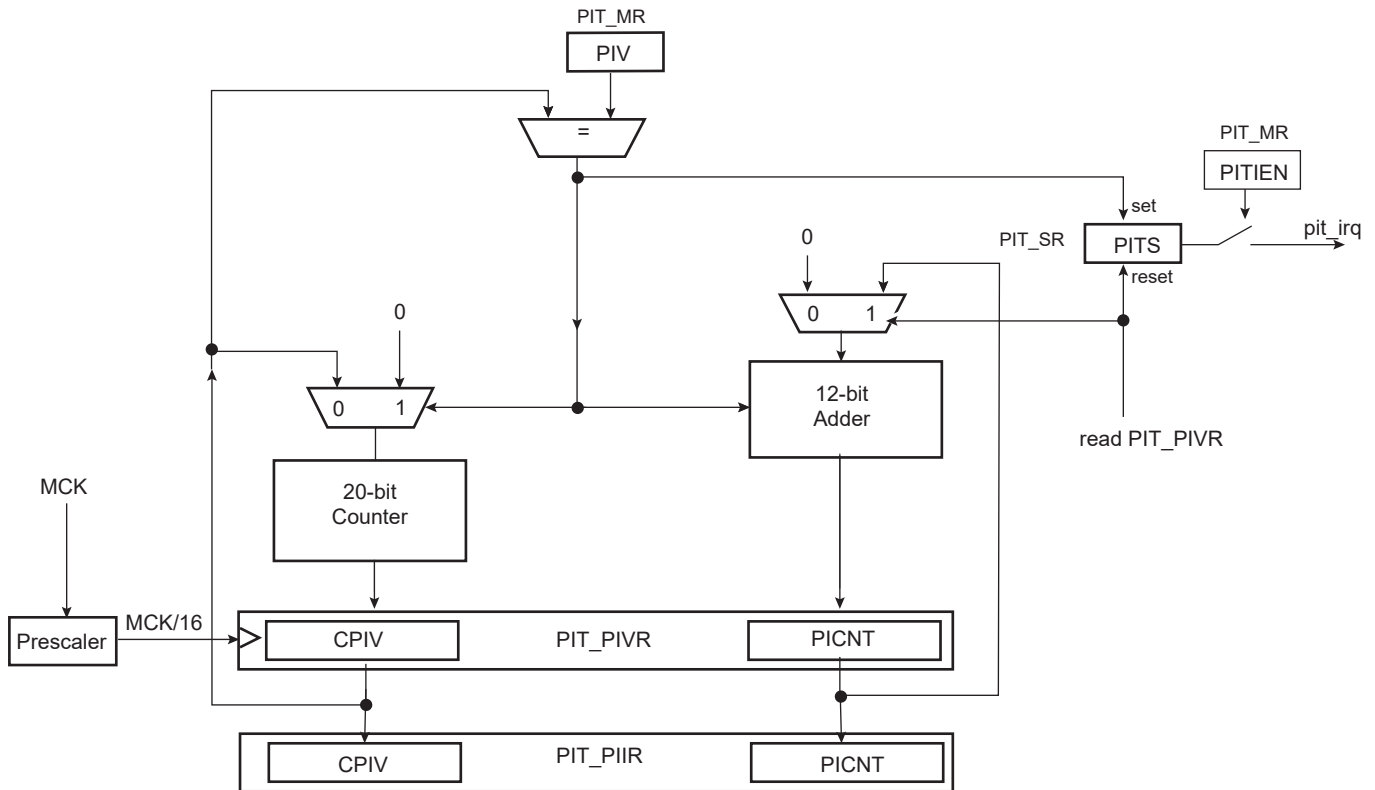
The Periodic Interval Timer (PIT) provides the operating system's scheduler interrupt. It is designed to offer maximum accuracy and efficient management, even for systems with long response time.

21.2 Embedded Characteristics

- 20-bit Programmable Counter plus 12-bit Interval Counter
- Reset-on-read Feature
- Both Counters Work on Master Clock/16

21.3 Block Diagram

Figure 21-1: Periodic Interval Timer



21.4 Functional Description

The Periodic Interval Timer aims at providing periodic interrupts for use by operating systems.

The PIT provides a programmable overflow counter and a reset-on-read feature. It is built around two counters: a 20-bit CPIV counter and a 12-bit PICNT counter. Both counters work at Master Clock /16.

The first 20-bit CPIV counter increments from 0 up to a programmable overflow value set in the field PIV of the Mode register (PIT_MR). When the counter CPIV reaches this value, it resets to 0 and increments the Periodic Interval Counter, PICNT. The status bit PITS in the Status register (PIT_SR) rises and triggers an interrupt, provided the interrupt is enabled (PITIEN in PIT_MR).

Writing a new PIV value in PIT_MR does not reset/restart the counters.

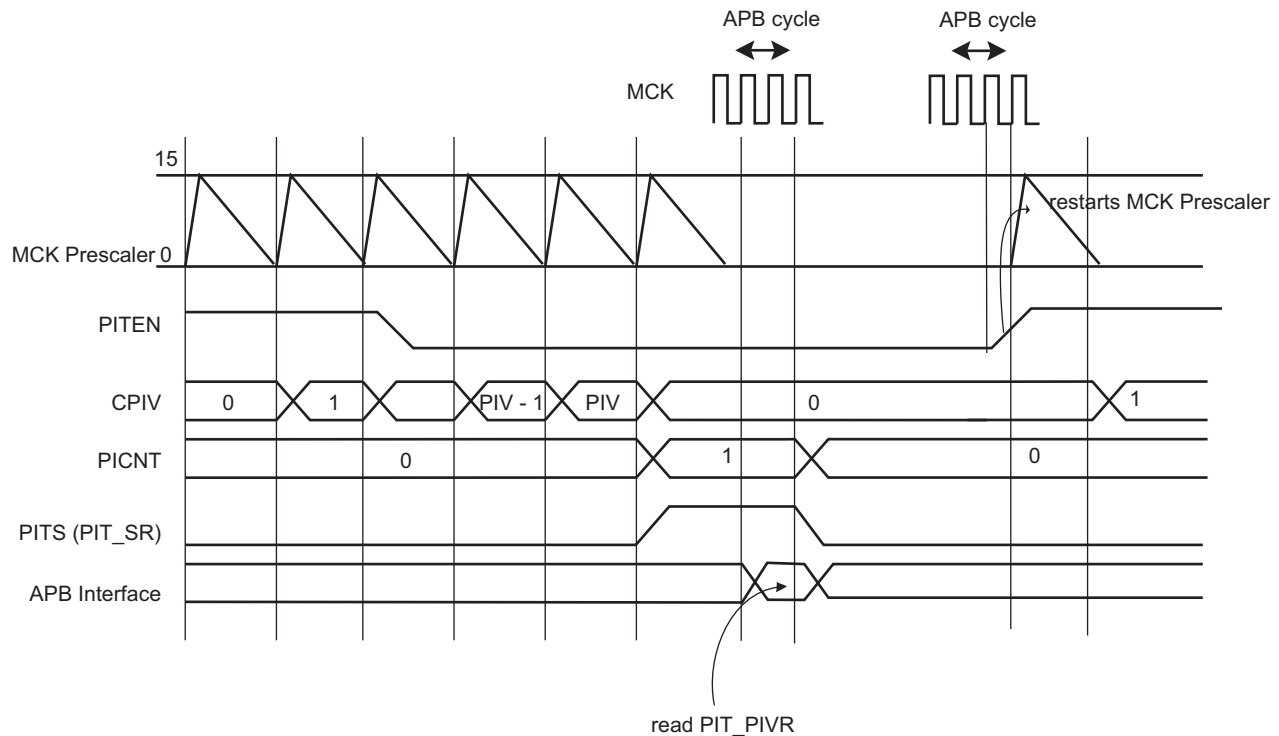
When CPIV and PICNT values are obtained by reading the Periodic Interval Value register (PIT_PIVR), the overflow counter (PICNT) is reset and the PITS bit is cleared, thus acknowledging the interrupt. The value of PICNT gives the number of periodic intervals elapsed since the last read of PIT_PIVR.

When CPIV and PICNT values are obtained by reading the Periodic Interval Image register (PIT_PIIIR), there is no effect on the counters CPIV and PICNT, nor on the bit PITS. For example, a profiler can read PIT_PIIIR without clearing any pending interrupt, whereas a timer interrupt clears the interrupt by reading PIT_PIVR.

The PIT may be enabled/disabled using the PITEN bit in the PIT_MR register (disabled on reset). The PITEN bit only becomes effective when the CPIV value is 0. Figure 21-2 illustrates the PIT counting. After the PIT Enable bit is reset (PITEN = 0), the CPIV goes on counting until the PIV value is reached, and is then reset. PIT restarts counting, only if the PITEN is set again.

The PIT is stopped when the core enters debug state.

Figure 21-2: Enabling/Disabling PIT with PITEN



21.5 Periodic Interval Timer (PIT) User Interface

Table 21-1: Register Mapping

Offset	Register	Name	Access	Reset
0x00	Mode Register	PIT_MR	Read/Write	0x000F_FFFF
0x04	Status Register	PIT_SR	Read-only	0x0000_0000
0x08	Periodic Interval Value Register	PIT_PIVR	Read-only	0x0000_0000
0x0C	Periodic Interval Image Register	PIT_PIIR	Read-only	0x0000_0000

SAMA5D3 SERIES

21.5.1 Periodic Interval Timer Mode Register

Name: PIT_MR

Address: 0xFFFFFE30

Access: Read/Write

31	30	29	28	27	26	25	24
–	–	–	–	–	–	PITIEN	PITEN
23	22	21	20	19	18	17	16
–	–	–	–	PIV			
15	14	13	12	11	10	9	8
PIV							
7	6	5	4	3	2	1	0
PIV							

- **PIV: Periodic Interval Value**

Defines the value compared with the primary 20-bit counter of the Periodic Interval Timer (CPIV). The period is equal to (PIV + 1).

- **PITEN: Period Interval Timer Enabled**

0: The Periodic Interval Timer is disabled when the PIV value is reached.

1: The Periodic Interval Timer is enabled.

- **PITIEN: Periodic Interval Timer Interrupt Enable**

0: The bit PITS in PIT_SR has no effect on interrupt.

1: The bit PITS in PIT_SR asserts interrupt.

21.5.2 Periodic Interval Timer Status Register

Name:PIT_SR

Address:0xFFFFFE34

Access:Read-only

31	30	29	28	27	26	25	24
–	–	–	–	–	–	–	–
23	22	21	20	19	18	17	16
–	–	–	–	–	–	–	–
15	14	13	12	11	10	9	8
–	–	–	–	–	–	–	–
7	6	5	4	3	2	1	0
–	–	–	–	–	–	–	PITS

- **PITS: Periodic Interval Timer Status**

0: The Periodic Interval timer has not reached PIV since the last read of PIT_PIVR.

1: The Periodic Interval timer has reached PIV since the last read of PIT_PIVR.

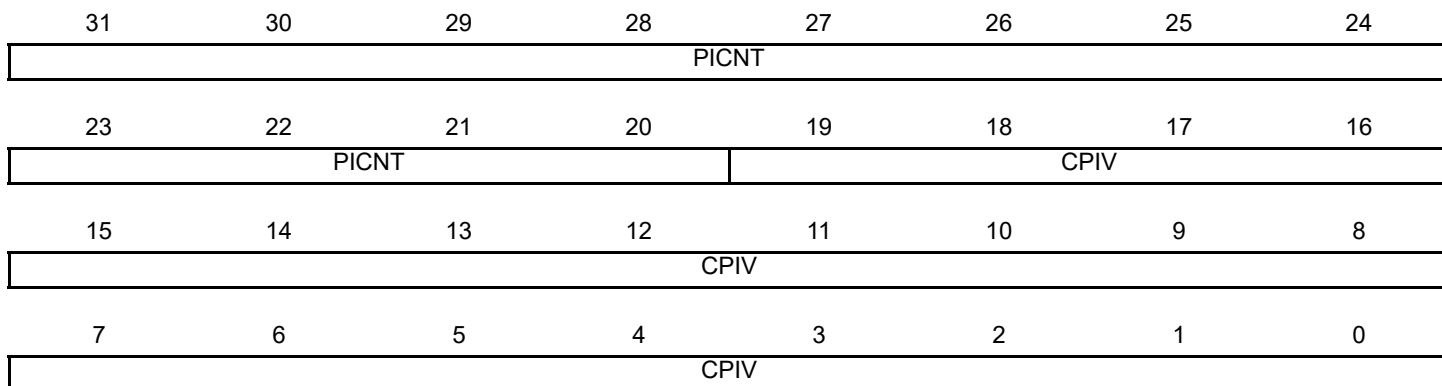
SAMA5D3 SERIES

21.5.3 Periodic Interval Timer Value Register

Name:PIT_PIVR

Address:0xFFFFFE38

Access:Read-only



Reading this register clears PITS in PIT_SR.

- **CPIV: Current Periodic Interval Value**

Returns the current value of the periodic interval timer.

- **PICNT: Periodic Interval Counter**

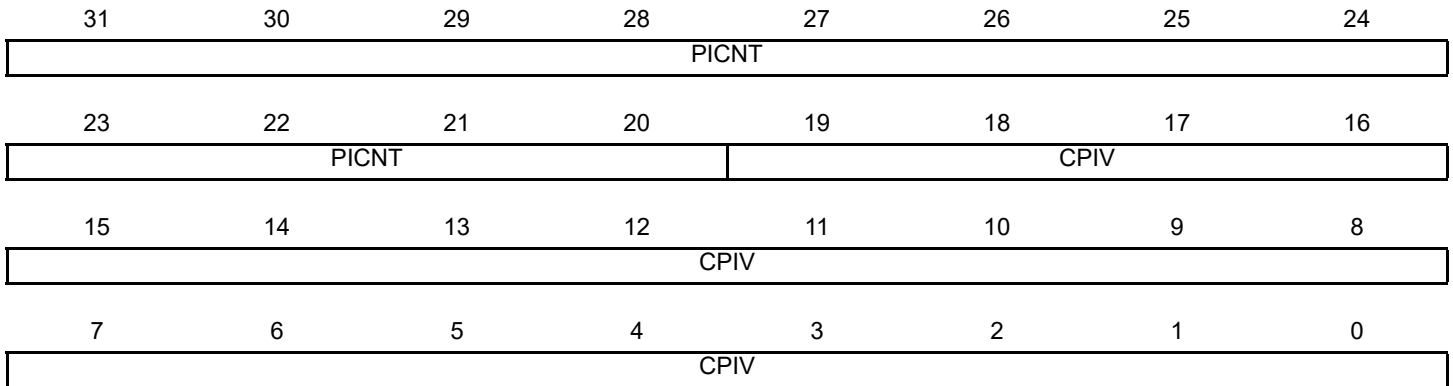
Returns the number of occurrences of periodic intervals since the last read of PIT_PIVR.

21.5.4 Periodic Interval Timer Image Register

Name:PIT_PIRR

Address:0xFFFFFE3C

Access:Read-only



- **CPIV: Current Periodic Interval Value**

Returns the current value of the periodic interval timer.

- **PICNT: Periodic Interval Counter**

Returns the number of occurrences of periodic intervals since the last read of PIT_PIVR.

22. Real-time Clock (RTC)

22.1 Description

The Real-time Clock (RTC) peripheral is designed for very low power consumption. For optimal functionality, the RTC requires an accurate external 32.768 kHz clock, which can be provided by a crystal oscillator.

It combines a complete time-of-day clock with alarm and a Gregorian calendar, complemented by a programmable periodic interrupt. The alarm and calendar registers are accessed by a 32-bit data bus.

The time and calendar values are coded in binary-coded decimal (BCD) format. The time format can be 24-hour mode or 12-hour mode with an AM/PM indicator.

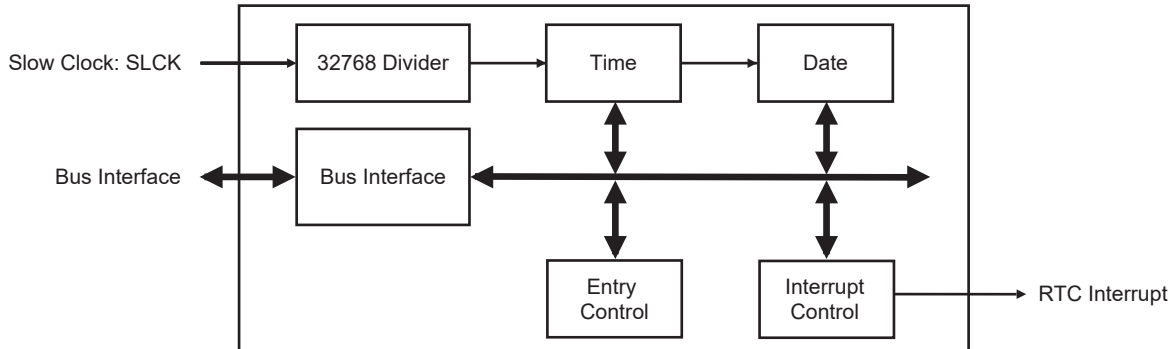
Updating time and calendar fields and configuring the alarm fields are performed by a parallel capture on the 32-bit data bus. An entry control is performed to avoid loading registers with incompatible BCD format data or with an incompatible date according to the current month/year/century.

22.2 Embedded Characteristics

- Full Asynchronous Design for Ultra Low Power Consumption
- Gregorian Mode Supported
- Programmable Periodic Interrupt
- Safety/security Features:
 - Valid Time and Date Programming Check

22.3 Block Diagram

Figure 22-1: Real-time Clock Block Diagram



22.4 Product Dependencies

22.4.1 Power Management

The Real-time Clock is continuously clocked at 32.768 kHz. The Power Management Controller has no effect on RTC behavior.

22.4.2 Interrupt

Within the System Controller, the RTC interrupt is OR-wired with all the other module interrupts.

Only one System Controller interrupt line is connected on one of the internal sources of the interrupt controller.

RTC interrupt requires the interrupt controller to be programmed first.

When a System Controller interrupt occurs, the service routine must first determine the cause of the interrupt. This is done by reading each status register of the System Controller peripherals successively.

Table 22-1: Peripheral IDs

Instance	ID
RTC	1

22.5 Functional Description

The RTC provides a full binary-coded decimal (BCD) clock that includes century (19/20), year (with leap years), month, date, day, hours, minutes and seconds reported in [RTC Time Register \(RTC_TIMR\)](#) and [RTC Calendar Register \(RTC_CALR\)](#).

The valid year range is up to 2099 in Gregorian mode.

The RTC can operate in 24-hour mode or in 12-hour mode with an AM/PM indicator.

Corrections for leap years are included (all years divisible by 4 being leap years except 1900). This is correct up to the year 2099.

22.5.1 Reference Clock

The reference clock is the Slow Clock (SLCK). It can be driven internally or by an external 32.768 kHz crystal.

During low power modes of the processor, the oscillator runs and power consumption is critical. The crystal selection has to take into account the current consumption for power saving and the frequency drift due to temperature effect on the circuit for time accuracy.

22.5.2 Timing

The RTC is updated in real time at one-second intervals in Normal mode for the counters of seconds, at one-minute intervals for the counter of minutes and so on.

Due to the asynchronous operation of the RTC with respect to the rest of the chip, to be certain that the value read in the RTC registers (century, year, month, date, day, hours, minutes, seconds) are valid and stable, it is necessary to read these registers twice. If the data is the same both times, then it is valid. Therefore, a minimum of two and a maximum of three accesses are required.

SAMA5D3 SERIES

22.5.3 Alarm

The RTC has five programmable fields: month, date, hours, minutes and seconds.

Each of these fields can be enabled or disabled to match the alarm condition:

- If all the fields are enabled, an alarm flag is generated (the corresponding flag is asserted and an interrupt generated if enabled) at a given month, date, hour/minute/second.
- If only the “seconds” field is enabled, then an alarm is generated every minute.

Depending on the combination of fields enabled, a large number of possibilities are available to the user ranging from minutes to 365/366 days.

Hour, minute and second matching alarm (SECEN, MINEN, HOUREN) can be enabled independently of SEC, MIN, HOUR fields.

Note: To change one of the SEC, MIN, HOUR, DATE, MONTH fields, it is recommended to disable the field before changing the value and then re-enable it after the change has been made. This requires up to three accesses to the RTC_TIMALR or RTC_CALALR. The first access clears the enable corresponding to the field to change (SECEN, MINEN, HOUREN, DATEEN, MTHEN). If the field is already cleared, this access is not required. The second access performs the change of the value (SEC, MIN, HOUR, DATE, MONTH). The third access is required to re-enable the field by writing 1 in SECEN, MINEN, HOUREN, DATEEN, MTHEN fields.

22.5.4 Error Checking when Programming

Verification on user interface data is performed when accessing the century, year, month, date, day, hours, minutes, seconds and alarms. A check is performed on illegal BCD entries such as illegal date of the month with regard to the year and century configured.

If one of the time fields is not correct, the data is not loaded into the register/counter and a flag is set in the validity register. The user can not reset this flag. It is reset as soon as an acceptable value is programmed. This avoids any further side effects in the hardware. The same procedure is followed for the alarm.

The following checks are performed:

1. Century (check if it is in range 19–20)
2. Year (BCD entry check)
3. Date (check range 01–31)
4. Month (check if it is in BCD range 01–12, check validity regarding “date”)
5. Day (check range 1–7)
6. Hour (BCD checks: in 24-hour mode, check range 00–23 and check that AM/PM flag is not set if RTC is set in 24-hour mode; in 12-hour mode check range 01–12)
7. Minute (check BCD and range 00–59)
8. Second (check BCD and range 00–59)

Note: If the 12-hour mode is selected by means of the RTC Mode Register (RTC_MR), a 12-hour value can be programmed and the returned value on RTC_TIMR will be the corresponding 24-hour value. The entry control checks the value of the AM/PM indicator (bit 22 of RTC_TIMR) to determine the range to be checked.

22.5.5 Updating Time/Calendar

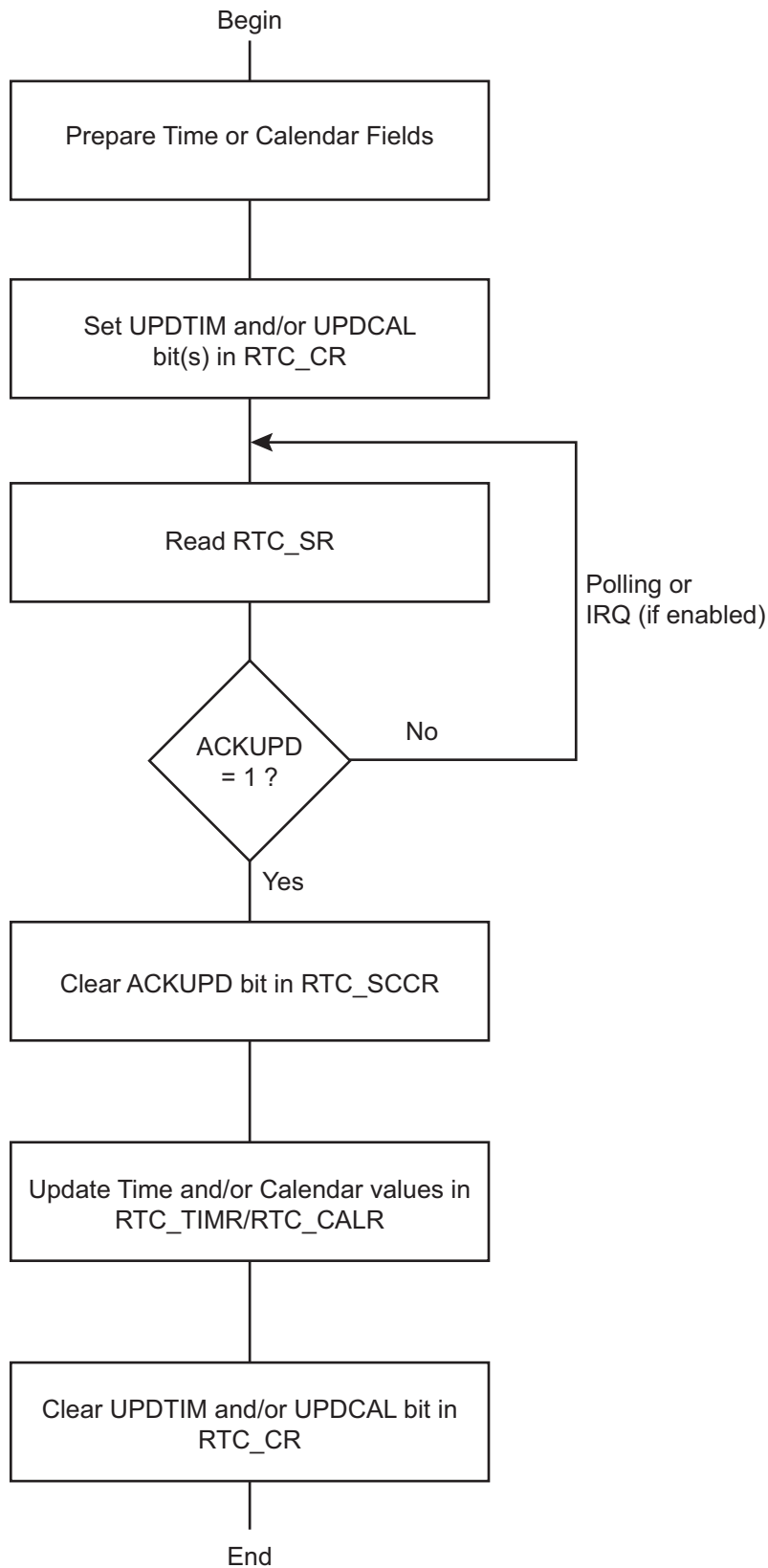
To update any of the time/calendar fields, the user must first stop the RTC by setting the corresponding field in the Control register (RTC_CR). Bit UPDTIM must be set to update time fields (hour, minute, second) and bit UPDCAL must be set to update calendar fields (century, year, month, date, day).

The ACKUPD bit is automatically set within a second after setting the UPDTIM and/or UPDCAL bit (meaning one second is the maximum duration of the polling or wait for interrupt period). Once ACKUPD is set, it is mandatory to clear this flag by writing the corresponding bit in the RTC_SCCR, after which the user can write to the Time register, the Calendar register, or both.

Once the update is finished, the user must clear UPDTIM and/or UPDCAL in the RTC_CR.

When entering the programming mode of the calendar fields, the time fields remain enabled. When entering the programming mode of the time fields, both time and calendar fields are stopped. This is due to the location of the calendar logic circuitry (downstream for low-power considerations). It is highly recommended to prepare all the fields to be updated before entering programming mode. In successive update operations, the user must wait at least one second after resetting the UPDTIM/UPDCAL bit in the RTC_CR before setting these bits again. This is done by waiting for the SEC flag in the RTC_SR before setting UPDTIM/UPDCAL bit. After clearing UPDTIM/UPDCAL, the SEC flag must also be cleared.

Figure 22-2: Update Sequence



SAMA5D3 SERIES

22.6 Real-time Clock (RTC) User Interface

Table 22-2: Register Mapping

Offset	Register	Name	Access	Reset
0x00	Control Register	RTC_CR	Read/Write	0x00000000
0x04	Mode Register	RTC_MR	Read/Write	0x00000000
0x08	Time Register	RTC_TIMR	Read/Write	0x00000000
0x0C	Calendar Register	RTC_CALR	Read/Write	0x01810720
0x10	Time Alarm Register	RTC_TIMALR	Read/Write	0x00000000
0x14	Calendar Alarm Register	RTC_CALALR	Read/Write	0x01010000
0x18	Status Register	RTC_SR	Read-only	0x00000000
0x1C	Status Clear Command Register	RTC_SCCR	Write-only	–
0x20	Interrupt Enable Register	RTC_IER	Write-only	–
0x24	Interrupt Disable Register	RTC_IDR	Write-only	–
0x28	Interrupt Mask Register	RTC_IMR	Read-only	0x00000000
0x2C	Valid Entry Register	RTC_VER	Read-only	0x00000000
0x30–0xC8	Reserved	–	–	–
0xCC	Reserved	–	–	–
0xD0	Reserved	–	–	–
0xFC	Reserved	–	–	–

Note: If an offset is not listed in the table it must be considered as reserved.

22.6.1 RTC Control Register

Name: RTC_CR

Address: 0xFFFFFE80

Access: Read/Write

31	30	29	28	27	26	25	24
–	–	–	–	–	–	–	–
23	22	21	20	19	18	17	16
–	–	–	–	–	–	CALEVSEL	
15	14	13	12	11	10	9	8
–	–	–	–	–	–	TIMEVSEL	
7	6	5	4	3	2	1	0
–	–	–	–	–	–	UPDCAL	UPDTIM

UPDTIM: Update Request Time Register

0: No effect or, if UPDTIM has been previously written to 1, stops the update procedure.

1: Stops the RTC time counting.

Time counting consists of second, minute and hour counters. Time counters can be programmed once this bit is set and acknowledged by the bit ACKUPD of the RTC_SR.

UPDCAL: Update Request Calendar Register

0: No effect or, if UPDCAL has been previously written to 1, stops the update procedure.

1: Stops the RTC calendar counting.

Calendar counting consists of day, date, month, year and century counters. Calendar counters can be programmed once this bit is set and acknowledged by the bit ACKUPD of the RTC_SR.

TIMEVSEL: Time Event Selection

The event that generates the flag TIMEV in RTC_SR depends on the value of TIMEVSEL.

Value	Name	Description
0	MINUTE	Minute change
1	HOUR	Hour change
2	MIDNIGHT	Every day at midnight
3	NOON	Every day at noon

CALEVSEL: Calendar Event Selection

The event that generates the flag CALEV in RTC_SR depends on the value of CALEVSEL.

Value	Name	Description
0	WEEK	Week change (every Monday at time 00:00:00)
1	MONTH	Month change (every 01 of each month at time 00:00:00)
2	YEAR	Year change (every January 1 at time 00:00:00)
3	–	Reserved

SAMA5D3 SERIES

22.6.2 RTC Mode Register

Name: RTC_MR

Address: 0xFFFFFEB4

Access: Read/Write

31	30	29	28	27	26	25	24
–	–	–	–	–	–	–	–
23	22	21	20	19	18	17	16
–	–	–	–	–	–	–	–
15	14	13	12	11	10	9	8
–	–	–	–	–	–	–	–
7	6	5	4	3	2	1	0
–	–	–	–	–	–	–	HRMOD

HRMOD: 12-/24-hour Mode

0: 24-hour mode is selected.

1: 12-hour mode is selected.

22.6.3 RTC Time Register

Name: RTC_TIMR

Address: 0xFFFFFE8

Access: Read/Write

31	30	29	28	27	26	25	24
–	–	–	–	–	–	–	–
23	22	21	20	19	18	17	16
–	AMPM	HOUR					
15	14	13	12	11	10	9	8
–	MIN						
7	6	5	4	3	2	1	0
–	SEC						

SEC: Current Second

The range that can be set is 0–59 (BCD).

The lowest four bits encode the units. The higher bits encode the tens.

MIN: Current Minute

The range that can be set is 0–59 (BCD).

The lowest four bits encode the units. The higher bits encode the tens.

HOUR: Current Hour

The range that can be set is 1–12 (BCD) in 12-hour mode or 0–23 (BCD) in 24-hour mode.

AMPM: Ante Meridiem Post Meridiem Indicator

This bit is the AM/PM indicator in 12-hour mode.

0: AM.

1: PM.

SAMA5D3 SERIES

22.6.4 RTC Calendar Register

Name: RTC_CALR

Address: 0xFFFFFEBC

Access: Read/Write

31	30	29	28	27	26	25	24
–	–	DATE					
23	22	21	20	19	18	17	16
DAY				MONTH			
15	14	13	12	11	10	9	8
YEAR							
7	6	5	4	3	2	1	0
–	CENT						

CENT: Current Century

Only the BCD value 20 can be configured.

The lowest four bits encode the units. The higher bits encode the tens.

YEAR: Current Year

The range that can be set is 00–99 (BCD).

The lowest four bits encode the units. The higher bits encode the tens.

MONTH: Current Month

The range that can be set is 01–12 (BCD).

The lowest four bits encode the units. The higher bits encode the tens.

DAY: Current Day in Current Week

The range that can be set is 1–7 (BCD).

The coding of the number (which number represents which day) is user-defined as it has no effect on the date counter.

DATE: Current Day in Current Month

The range that can be set is 01–31 (BCD).

The lowest four bits encode the units. The higher bits encode the tens.

22.6.5 RTC Time Alarm Register

Name: RTC_TIMALR

Address: 0xFFFFFEC0

Access: Read/Write

31	30	29	28	27	26	25	24
–	–	–	–	–	–	–	–
23	22	21	20	19	18	17	16
HOUREN	AMPM	HOUR					
15	14	13	12	11	10	9	8
MINEN	MIN						
7	6	5	4	3	2	1	0
SECEN	SEC						

Note: To change one of the SEC, MIN, HOUR fields, it is recommended to disable the field before changing the value and then re-enable it after the change has been made. This requires up to three accesses to the RTC_TIMALR. The first access clears the enable corresponding to the field to change (SECEN, MINEN, HOUREN). If the field is already cleared, this access is not required. The second access performs the change of the value (SEC, MIN, HOUR). The third access is required to re-enable the field by writing 1 in SECEN, MINEN, HOUREN fields.

SEC: Second Alarm

This field is the alarm field corresponding to the BCD-coded second counter.

SECEN: Second Alarm Enable

0: The second-matching alarm is disabled.

1: The second-matching alarm is enabled.

MIN: Minute Alarm

This field is the alarm field corresponding to the BCD-coded minute counter.

MINEN: Minute Alarm Enable

0: The minute-matching alarm is disabled.

1: The minute-matching alarm is enabled.

HOUR: Hour Alarm

This field is the alarm field corresponding to the BCD-coded hour counter.

AMPM: AM/PM Indicator

This field is the alarm field corresponding to the BCD-coded hour counter.

HOUREN: Hour Alarm Enable

0: The hour-matching alarm is disabled.

1: The hour-matching alarm is enabled.

SAMA5D3 SERIES

22.6.6 RTC Calendar Alarm Register

Name: RTC_CALALR

Address: 0xFFFFFEC4

Access: Read/Write

31	30	29	28	27	26	25	24
DATEEN	–	DATE					
23	22	21	20	19	18	17	16
MTHEN	–	–	MONTH				
15	14	13	12	11	10	9	8
–	–	–	–	–	–	–	–
7	6	5	4	3	2	1	0
–	–	–	–	–	–	–	–

Note: To change one of the DATE, MONTH fields, it is recommended to disable the field before changing the value and then re-enable it after the change has been made. This requires up to three accesses to the RTC_CALALR. The first access clears the enable corresponding to the field to change (DATEEN, MTHEN). If the field is already cleared, this access is not required. The second access performs the change of the value (DATE, MONTH). The third access is required to re-enable the field by writing 1 in DATEEN, MTHEN fields.

MONTH: Month Alarm

This field is the alarm field corresponding to the BCD-coded month counter.

MTHEN: Month Alarm Enable

0: The month-matching alarm is disabled.

1: The month-matching alarm is enabled.

DATE: Date Alarm

This field is the alarm field corresponding to the BCD-coded date counter.

DATEEN: Date Alarm Enable

0: The date-matching alarm is disabled.

1: The date-matching alarm is enabled.

22.6.7 RTC Status Register

Name: RTC_SR

Address: 0xFFFFFEC8

Access: Read-only

31	30	29	28	27	26	25	24
–	–	–	–	–	–	–	–
23	22	21	20	19	18	17	16
–	–	–	–	–	–	–	–
15	14	13	12	11	10	9	8
–	–	–	–	–	–	–	–
7	6	5	4	3	2	1	0
–	–	–	CALEV	TIMEV	SEC	ALARM	ACKUPD

ACKUPD: Acknowledge for Update

Value	Name	Description
0	FREERUN	Time and calendar registers cannot be updated.
1	UPDATE	Time and calendar registers can be updated.

ALARM: Alarm Flag

Value	Name	Description
0	NO_ALARM_EVENT	No alarm matching condition occurred.
1	ALARM_EVENT	An alarm matching condition has occurred.

SEC: Second Event

Value	Name	Description
0	NO_SECEVENT	No second event has occurred since the last clear.
1	SECEVENT	At least one second event has occurred since the last clear.

TIMEV: Time Event

Value	Name	Description
0	NO_TIMEEVENT	No time event has occurred since the last clear.
1	TIMEEVENT	At least one time event has occurred since the last clear.

Note: The time event is selected in the TIMEVSEL field in the Control Register (RTC_CR) and can be any one of the following events: minute change, hour change, noon, midnight (day change).

CALEV: Calendar Event

Value	Name	Description
0	NO_CALEVENT	No calendar event has occurred since the last clear.
1	CALEVENT	At least one calendar event has occurred since the last clear.

Note: The calendar event is selected in the CALEVSEL field in the Control Register (RTC_CR) and can be any one of the following events: week change, month change and year change.

SAMA5D3 SERIES

22.6.8 RTC Status Clear Command Register

Name: RTC_SCCR

Address: 0xFFFFFECC

Access: Write-only

31	30	29	28	27	26	25	24
–	–	–	–	–	–	–	–
23	22	21	20	19	18	17	16
–	–	–	–	–	–	–	–
15	14	13	12	11	10	9	8
–	–	–	–	–	–	–	–
7	6	5	4	3	2	1	0
–	–	–	CALCLR	TIMCLR	SECCLR	ALRCLR	ACKCLR

ACKCLR: Acknowledge Clear

0: No effect.

1: Clears corresponding status flag in the Status Register (RTC_SR).

ALRCLR: Alarm Clear

0: No effect.

1: Clears corresponding status flag in the Status Register (RTC_SR).

SECCLR: Second Clear

0: No effect.

1: Clears corresponding status flag in the Status Register (RTC_SR).

TIMCLR: Time Clear

0: No effect.

1: Clears corresponding status flag in the Status Register (RTC_SR).

CALCLR: Calendar Clear

0: No effect.

1: Clears corresponding status flag in the Status Register (RTC_SR).

22.6.9 RTC Interrupt Enable Register

Name: RTC_IER

Address: 0xFFFFFED0

Access: Write-only

31	30	29	28	27	26	25	24
–	–	–	–	–	–	–	–
23	22	21	20	19	18	17	16
–	–	–	–	–	–	–	–
15	14	13	12	11	10	9	8
–	–	–	–	–	–	–	–
7	6	5	4	3	2	1	0
–	–	–	CALEN	TIMEN	SECEN	ALREN	ACKEN

ACKEN: Acknowledge Update Interrupt Enable

0: No effect.

1: The acknowledge for update interrupt is enabled.

ALREN: Alarm Interrupt Enable

0: No effect.

1: The alarm interrupt is enabled.

SECEN: Second Event Interrupt Enable

0: No effect.

1: The second periodic interrupt is enabled.

TIMEN: Time Event Interrupt Enable

0: No effect.

1: The selected time event interrupt is enabled.

CALEN: Calendar Event Interrupt Enable

0: No effect.

1: The selected calendar event interrupt is enabled.

SAMA5D3 SERIES

22.6.10 RTC Interrupt Disable Register

Name: RTC_IDR

Address: 0xFFFFFED4

Access: Write-only

31	30	29	28	27	26	25	24
–	–	–	–	–	–	–	–
23	22	21	20	19	18	17	16
–	–	–	–	–	–	–	–
15	14	13	12	11	10	9	8
–	–	–	–	–	–	–	–
7	6	5	4	3	2	1	0
–	–	–	CALDIS	TIMDIS	SECDIS	ALRDIS	ACKDIS

ACKDIS: Acknowledge Update Interrupt Disable

0: No effect.

1: The acknowledge for update interrupt is disabled.

ALRDIS: Alarm Interrupt Disable

0: No effect.

1: The alarm interrupt is disabled.

SECDIS: Second Event Interrupt Disable

0: No effect.

1: The second periodic interrupt is disabled.

TIMDIS: Time Event Interrupt Disable

0: No effect.

1: The selected time event interrupt is disabled.

CALDIS: Calendar Event Interrupt Disable

0: No effect.

1: The selected calendar event interrupt is disabled.

22.6.11 RTC Interrupt Mask Register

Name: RTC_IMR

Address: 0xFFFFFED8

Access: Read-only

31	30	29	28	27	26	25	24
–	–	–	–	–	–	–	–
23	22	21	20	19	18	17	16
–	–	–	–	–	–	–	–
15	14	13	12	11	10	9	8
–	–	–	–	–	–	–	–
7	6	5	4	3	2	1	0
–	–	–	CAL	TIM	SEC	ALR	ACK

ACK: Acknowledge Update Interrupt Mask

0: The acknowledge for update interrupt is disabled.

1: The acknowledge for update interrupt is enabled.

ALR: Alarm Interrupt Mask

0: The alarm interrupt is disabled.

1: The alarm interrupt is enabled.

SEC: Second Event Interrupt Mask

0: The second periodic interrupt is disabled.

1: The second periodic interrupt is enabled.

TIM: Time Event Interrupt Mask

0: The selected time event interrupt is disabled.

1: The selected time event interrupt is enabled.

CAL: Calendar Event Interrupt Mask

0: The selected calendar event interrupt is disabled.

1: The selected calendar event interrupt is enabled.

SAMA5D3 SERIES

22.6.12 RTC Valid Entry Register

Name: RTC_VER

Address: 0xFFFFFEDC

Access: Read-only

31	30	29	28	27	26	25	24
–	–	–	–	–	–	–	–
23	22	21	20	19	18	17	16
–	–	–	–	–	–	–	–
15	14	13	12	11	10	9	8
–	–	–	–	–	–	–	–
7	6	5	4	3	2	1	0
–	–	–	–	NVCALALR	NVTIMALR	NVCAL	NVTIM

NVTIM: Non-valid Time

0: No invalid data has been detected in RTC_TIMR (Time Register).

1: RTC_TIMR has contained invalid data since it was last programmed.

NVCAL: Non-valid Calendar

0: No invalid data has been detected in RTC_CALR (Calendar Register).

1: RTC_CALR has contained invalid data since it was last programmed.

NVTIMALR: Non-valid Time Alarm

0: No invalid data has been detected in RTC_TIMALR (Time Alarm Register).

1: RTC_TIMALR has contained invalid data since it was last programmed.

NVCALALR: Non-valid Calendar Alarm

0: No invalid data has been detected in RTC_CALALR (Calendar Alarm Register).

1: RTC_CALALR has contained invalid data since it was last programmed.

23. Slow Clock Controller (SCKC)

23.1 Description

The System Controller embeds a Slow Clock Controller (SCKC). The SCKC selects the slow clock from one of two sources:

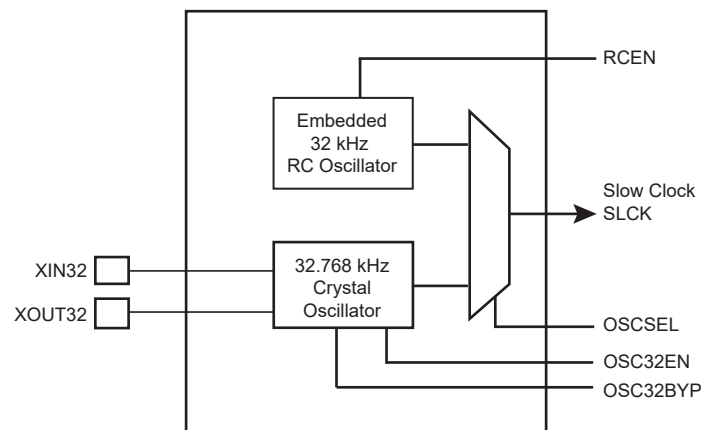
- External 32.768 kHz crystal oscillator
- Embedded 32 kHz (typical) RC oscillator

23.2 Embedded Characteristics

- 32 kHz (typical) RC Oscillator or 32.768 kHz Crystal Oscillator Selector
- VDDDBU Powered

23.3 Block Diagram

Figure 23-1: SCKC Block Diagram



23.4 Functional Description

The bits RCEN, OSC32EN, OSCSEL, and OSC32BYP are located in the Slow Clock Controller Configuration Register (SCKC_CR) located at the address 0xFFFFFE50 in the backed-up part of the System Controller and, thus, they are preserved while VDDDBU is present.

The embedded 32 kHz (typical) RC oscillator and the 32.768 kHz crystal oscillator can be enabled by setting to 1, respectively, the RCEN and OSC32EN bits. The Slow Clock Selector command (OSCSEL bit) selects the slow clock source.

The 32.768 kHz crystal oscillator can be bypassed by setting the OSC32BYP bit to accept an external slow clock on XIN32.

After the VDDDBU power-on reset, the default configuration is RCEN = 1, OSC32EN = 0 and OSCSEL = 0, allowing the system to start on the embedded 32 kHz (typical) RC oscillator.

The programmer controls the slow clock switching by software and so must take precautions during the switching phase.

23.4.1 Switching from Embedded 32 kHz RC Oscillator to 32.768 kHz Crystal Oscillator

The sequence to switch from the embedded 32 kHz (typical) RC oscillator to the 32.768 kHz crystal oscillator is the following:

1. Switch the master clock to a source different from slow clock (PLL or Main Oscillator) through the Power Management Controller.
2. Enable the 32.768 kHz crystal oscillator by writing a 1 to the OSC32EN bit.
3. Wait for the 32.768 kHz crystal oscillator to stabilize (software loop).
4. Switch from the embedded 32 kHz (typical) RC oscillator to the 32.768 kHz crystal oscillator by writing a 1 to the OSCSEL bit.
5. Wait 5 slow clock cycles for internal resynchronization.
6. Disable the 32 kHz (typical) RC oscillator by writing a 0 to the RCEN bit.

23.4.2 Bypassing the 32.768 kHz Crystal Oscillator

The sequence to bypass the 32.768 kHz crystal oscillator is the following:

1. An external clock must be connected on XIN32.

2. Enable the bypass path by writing a 1 to the OSC32BYP bit.
3. Disable the 32.768 kHz crystal oscillator by writing a 0 to the OSC32EN bit.

23.4.3 Switching from 32.768 kHz Crystal Oscillator to Embedded 32 kHz RC Oscillator

The sequence to switch from the 32.768 kHz crystal oscillator to the embedded 32 kHz (typical) RC oscillator is the following:

1. Switch the master clock to a source different from slow clock (PLL or Main Oscillator).
2. Enable the embedded 32 kHz (typical) RC oscillator for low power by writing a 1 to the RCEN bit.
3. Wait for the embedded 32 kHz (typical) RC oscillator to stabilize (software loop).
4. Switch from the 32.768 kHz crystal oscillator to the embedded RC oscillator by writing a 0 to the OSCSEL bit.
5. Wait 5 slow clock cycles for internal resynchronization.
6. Disable the 32.768 kHz crystal oscillator by writing a 0 to the OSC32EN bit.

23.5 Slow Clock Controller (SCKC) User Interface

Table 23-1: Register Mapping

Offset	Register	Name	Access	Reset
0x0	Slow Clock Controller Configuration Register	SCKC_CR	Read/Write	0x0000_0001

SAMA5D3 SERIES

23.5.1 Slow Clock Controller Configuration Register

Name: SCKC_CR

Address: 0xFFFFFE50

Access: Read/Write

31	30	29	28	27	26	25	24
–	–	–	–	–	–	–	–
23	22	21	20	19	18	17	16
–	–	–	–	–	–	–	–
15	14	13	12	11	10	9	8
–	–	–	–	–	–	–	–
7	6	5	4	3	2	1	0
–	–	–	–	OSCSEL	OSC32BYP	OSC32EN	RCEN

RCEN: Embedded 32 kHz (typical) RC Oscillator

0: 32 kHz (typical) RC oscillator is disabled.

1: 32 kHz (typical) RC oscillator is enabled.

OSC32EN: 32.768 kHz Crystal Oscillator

0: 32.768 kHz crystal oscillator is disabled.

1: 32.768 kHz crystal oscillator is enabled.

OSC32BYP: 32.768 kHz Crystal Oscillator Bypass

0: 32.768 kHz crystal oscillator is not bypassed.

1: 32.768 kHz crystal oscillator is bypassed and accepts an external slow clock on XIN32.

OSCSEL: Slow Clock Selector

0 (RC): Slow clock is the embedded 32 kHz (typical) RC oscillator.

1 (XTAL): Slow clock is the 32.768 kHz crystal oscillator.

24. Fuse Controller (FUSE)

24.1 Description

The Fuse Controller (FUSE) supports software fuse programming through a 32-bit register. Only fuses set to level ‘1’ are programmed. The fast (main) RC oscillator must be enabled at startup to access the fuse matrix.

It reads the fuse states on startup and stores them into 32-bit registers. The first eight Fuse Status registers (FUSE_SRx) can be masked and will read as a value of ‘0’ regardless of the fuse state when masked.

24.2 Embedded Characteristics

- Software Fuse Programming
- User Write Access for Fuse
- Part of Fuse can be Masked After Read
- 256 FUSE bits:
 - 192 bits are dedicated to Users
 - 3 bits are dedicated to Special Functions
 - The Fuse Controller can be hidden thanks to an SFR write-once bit. Refer to [Section 15. Special Function Registers \(SFR\)](#).

24.2.1 FUSE Bit Mapping

To avoid any malfunctioning, the user must not write the “DO NOT USE (DNU)” FUSE bits.

Table 24-1: FUSE Bit Mapping

255	254	253	252	251	250	249	248	247	246	245	244	243	242	241	240	239	238	237	236	235	234	233	232	231	230	229	228	227	226	225	224	
DO NOT USE (DNU)																																
223	222	221	220	219	218	217	216	215	214	213	212	211	210	209	208	207	206	205	204	203	202	201	200	199	198	197	196	195	194	193	192	
USER_DATA																																
191	190	189	188	187	186	185	184	183	182	181	180	179	178	177	176	175	174	173	172	171	170	169	168	167	166	165	164	163	162	161	160	
DO NOT USE (DNU)																														B	J	W
159	158	157	156	155	154	153	152	151	150	149	148	147	146	145	144	143	142	141	140	139	138	137	136	135	134	133	132	131	130	129	128	
USER_DATA																																
127	126	125	124	123	122	121	120	119	118	117	116	115	114	113	112	111	110	109	108	107	106	105	104	103	102	101	100	99	98	97	96	
USER_DATA																																
95	94	93	92	91	90	89	88	87	86	85	84	83	82	81	80	79	78	77	76	75	74	73	72	71	70	69	68	67	66	65	64	
USER_DATA																																
63	62	61	60	59	58	57	56	55	54	53	52	51	50	49	48	47	46	45	44	43	42	41	40	39	38	37	36	35	34	33	32	
USER_DATA																																
31	30	29	28	27	26	25	24	23	22	21	20	19	18	17	16	15	14	13	12	11	10	9	8	7	6	5	4	3	2	1	0	
USER_DATA																																

SAMA5D3 SERIES

24.2.2 Special Functions

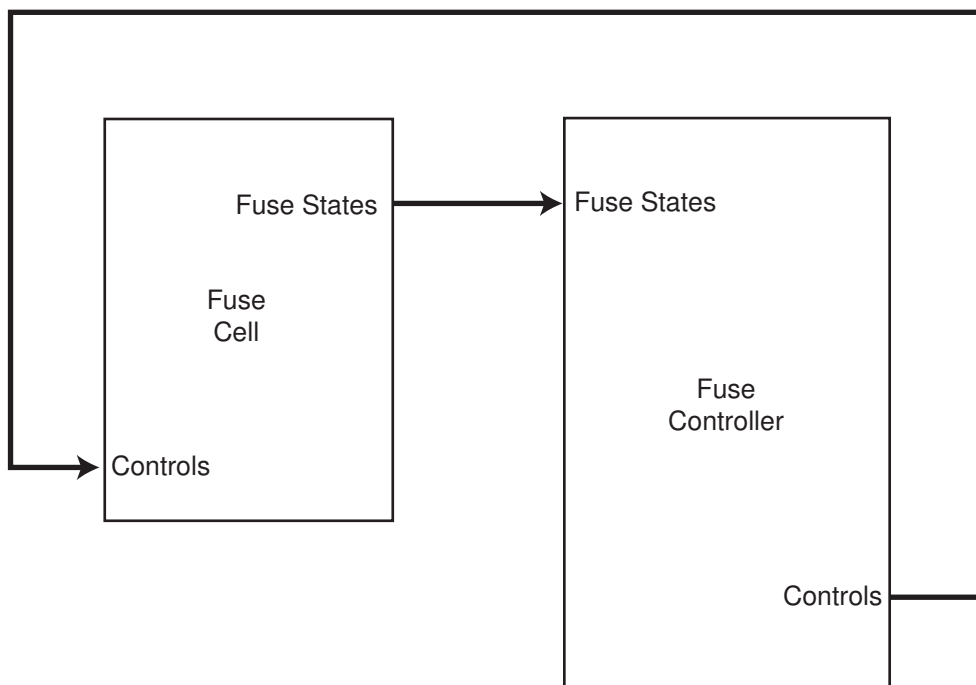
The user is allowed to set special bits as described in the following table.

Table 24-2: Special Bits

Bit Number	Bit Name	Function
162	B	BMS_SAMPLING_DISABLED - BMS sampling is disabled if set
161	J	JTAG_DISABLED - JTAG is disabled if set
160	W	FUSE_WRITE_DISABLED - FUSE bit writing is disabled if set

24.3 Block Diagram

Figure 24-1: FUSE Block Diagram

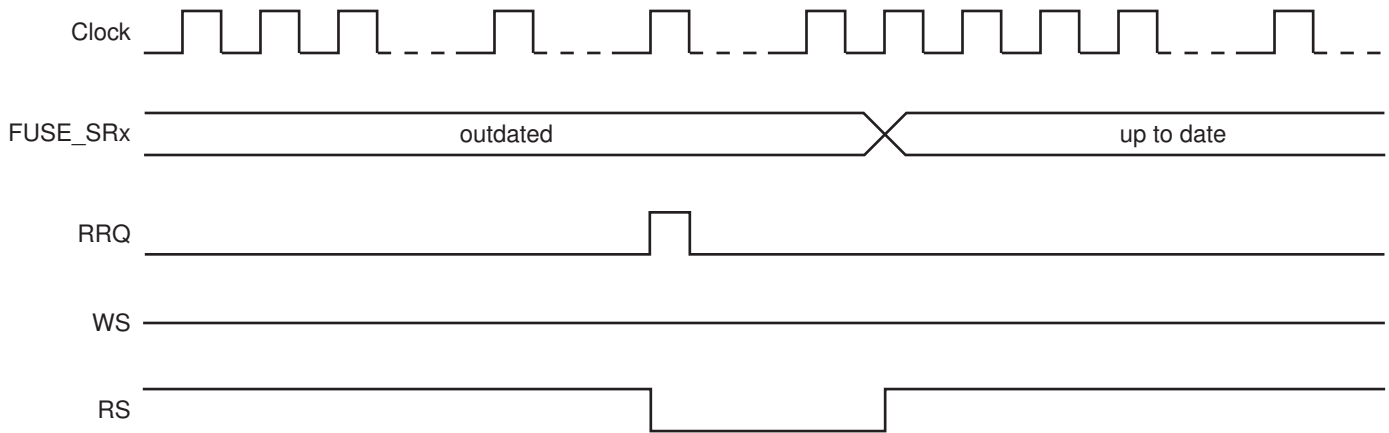


24.4 Functional Description

24.4.1 Fuse Reading

The fuse states are automatically read on CORE startup and are available for reading in the eight Fuse Status (FUSE_SRx) registers. The fuse states of bits 31 to 0 will be available at FUSE_SR0, the fuse states of bits 63 to 32 will be available at FUSE_SR1 and so on. FUSE_SRx registers can be updated manually by using the RRQ bit of the Fuse Control register (FUSE_CR). RS and WS bits of the Fuse Index register (FUSE_IR) must be at level one before issuing the read request.

Figure 24-2: Fuse Read



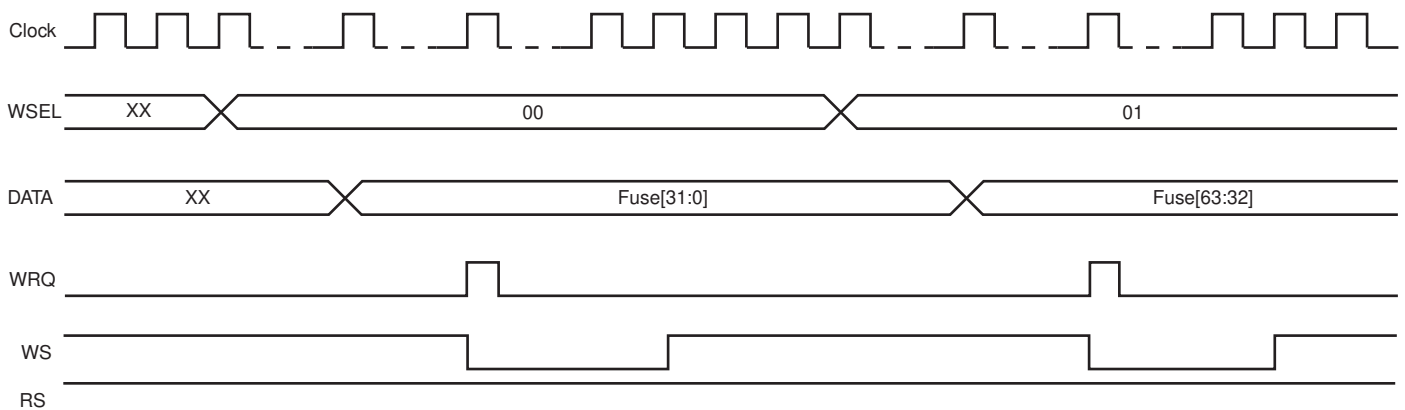
24.4.2 Fuse Programming

All the fuses, except Microchip reserved fuses, can be written by software. To program fuses, strictly follow the order of the sequence instructions as provided below:

1. Select the word to write, using the WSEL field of the Fuse Index register (FUSE_IR).
2. Write the word to program in the Fuse Data register (FUSE_DR).
3. Check that RS and WS bits of the FUSE_IR are at level one (no read and no write pending).
4. Write the WRQ bit of the Fuse Control register (FUSE_CR) to begin the fuse programming. The KEY field must be written at the same time with a value 0xFB to make the write request valid. Writing the WRQ bit will clear the WS bit.
5. Check the WS bit of FUSE_IR. When WS has a value of '1' the fuse write process is over.

Only fuses to be set to level '1' are written.

Figure 24-3: Fuse Write



24.4.3 Fuse Masking

It is possible to mask the first eight FUSE_SRx registers so that they will be read at a value of '0', regardless of the fuse state.

To activate fuse masking on the first eight FUSE_SRx registers, the MSK bit of the Fuse Mode register (FUSE_MR) must be written to level '1'. The MSK bit is write-only. Only a general reset can disable fuse masking.

24.5 Fuse Controller (FUSE) User Interface

Table 24-3: Register Mapping

Offset	Register	Name	Access	Reset
0x00	Fuse Control Register	FUSE_CR	Write-only	–
0x04	Fuse Mode Register	FUSE_MR	Write-only	–
0x08	Fuse Index Register	FUSE_IR	Read-write	0x00000000
0x0C	Fuse Data Register	FUSE_DR	Read-write	–
0x10	Fuse Status Register 0	FUSE_SR0	Read-only	0x00000000
0x14	Fuse Status Register 1	FUSE_SR1	Read-only	0x00000000
...
0x2C	Fuse Status Register 7	FUSE_SR7	Read-only	0x00000000
0x30–0xDC	Reserved	–	–	–
0xE0–0xFC	Reserved	–	–	–

Note 1: Values in the Version Register vary with the version of the IP block implementation.

SAMA5D3 SERIES

24.5.1 Fuse Control Register

Name:FUSE_CR

Address:0xFFFFE400

Access:Write-only

31	30	29	28	27	26	25	24
–	–	–	–	–	–	–	–
23	22	21	20	19	18	17	16
–	–	–	–	–	–	–	–
15	14	13	12	11	10	9	8
KEY							
7	6	5	4	3	2	1	0
–	–	–	–	–	–	RRQ	WRQ

WRQ: Write Request

0: No effect.

1: Requests the word DATA to be programmed if KEY field value is 0xFB.

RRQ: Read Request

0: No effect.

1: Requests the fuses to be read and FUSE_SRx registers to be updated if KEY field value is 0xFB.

KEY: Key Code

Value	Name	Description
0xFB	VALID	Writing any other value in this field aborts the write operation of the WRQ and RRQ bits. Always reads as 0.

24.5.2 Fuse Mode Register

Name:FUSE_MR

Address:0xFFFFE404

Access:Write-only

31	30	29	28	27	26	25	24
–	–	–	–	–	–	–	–
23	22	21	20	19	18	17	16
–	–	–	–	–	–	–	–
15	14	13	12	11	10	9	8
–	–	–	–	–	–	–	–
7	6	5	4	3	2	1	0
–	–	–	–	–	–	–	MSK

MSK: Mask Fuse Status Registers

0: No effect.

1: Masks the first eight FUSE_SRx registers.

SAMA5D3 SERIES

24.5.3 Fuse Index Register

Name: FUSE_IR

Address: 0xFFFFE408

Access: Read-write

31	30	29	28	27	26	25	24
–	–	–	–	–	–	–	–
23	22	21	20	19	18	17	16
–	–	–	–	–	–	–	–
15	14	13	12	11	10	9	8
–	–	–	–	WSEL			
7	6	5	4	3	2	1	0
–	–	–	–	–	–	RS	WS

WS: Write Status

0: Write is pending or no write has been requested since general reset.

1: Write of fuses is done.

RS: Read Status

0: Read is pending or no read has been requested since general reset.

1: Read of fuses is done.

WSEL: Word Selection

0–15: Selects the word to write.

24.5.4 Fuse Data Register

Name:FUSE_DR

Address:0xFFFFE40C

Access:Read-write

31	30	29	28	27	26	25	24
DATA							
23	22	21	20	19	18	17	16
DATA							
15	14	13	12	11	10	9	8
DATA							
7	6	5	4	3	2	1	0
DATA							

DATA: Data to Program

Data to program. Only bits with a value of '1' will be programmed.

SAMA5D3 SERIES

24.5.5 Fuse Status Register

Name:FUSE_SRx [x=0..7]

Address:0xFFFFE410

Access:Read-only

31	30	29	28	27	26	25	24
FUSE							
23	22	21	20	19	18	17	16
FUSE							
15	14	13	12	11	10	9	8
FUSE							
7	6	5	4	3	2	1	0
FUSE							

FUSE: Fuse Status

Indicates the status of corresponding fuses:

0: Unprogrammed.

1: Programmed.

25. Clock Generator

25.1 Description

The Clock Generator User Interface is embedded within the Power Management Controller and is described in [Section 26.17 Power Management Controller \(PMC\) User Interface](#). However, the Clock Generator registers are named CKGR_.

25.2 Embedded Characteristics

The Clock Generator is made up of:

- A low-power 32.768 kHz crystal oscillator with Bypass mode
- A low-power embedded 32 kHz (typical) RC oscillator generating the 32 kHz source clock
- An 8 to 48 MHz crystal oscillator or a 12 to 48 MHz XRCGB crystal resonator with Bypass mode
- A 12 MHz RC oscillator
- A 480 MHz UTMI PLL providing a clock for the USB High Speed Device Controller
- A 400 to 1000 MHz programmable PLL (input from 8 to 50 MHz), capable of providing the clock MCK to the processor and to the peripherals (HCLOCK and PCLOCK)

The Clock Generator provides the following clocks:

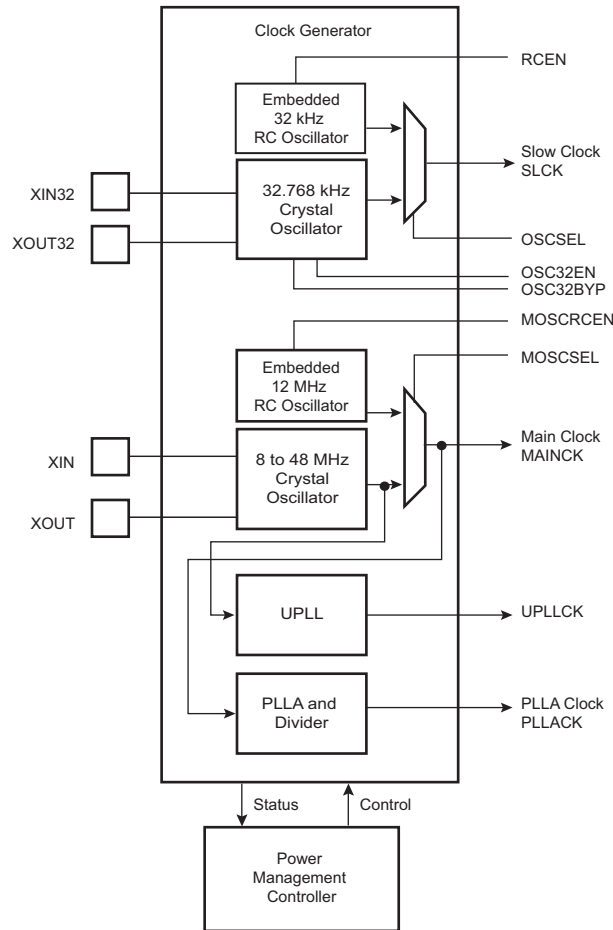
- SLCK, the Slow Clock, which is the only permanent clock within the system
- MAINCK is the output of the main clock oscillator selection: either 8 to 48 MHz crystal oscillator or 12 MHz RC oscillator
- PLLACK is the output of the divider and the 400 to 1000 MHz programmable PLL (PLLA)
- UPLLCK is the output of the 480 MHz UTMI PLL (UPLL)
- SMDCK is the Software Modem Clock

The Power Management Controller also provides the following operations on clocks:

- 8 to 48 MHz crystal oscillator clock failure detector
- 32.768 kHz crystal oscillator frequency monitor
- Frequency counter on main clock and an on-the-fly adjustable 12 MHz RC oscillator frequency

25.3 Block Diagram

Figure 25-1: Clock Generator Block Diagram



25.4 Slow Clock

The Slow Clock Controller embeds a slow clock generator that is supplied with the VDDBU power supply. As soon as VDDBU is supplied, both the 32.768 kHz crystal oscillator and the embedded 32 kHz (typical) RC oscillator are powered, but only the RC oscillator is enabled. This allows the slow clock to be valid in a short time (about 100 μ s).

The slow clock is generated either by the 32.768 kHz crystal oscillator or by the embedded 32 kHz (typical) RC oscillator.

The selection of the slow clock source is made via the OSCSEL bit in the Slow Clock Controller Configuration register (SCKC_CR).

SCKC_CR.OSCSEL and PMC_SR.OSCSELS report which oscillator is selected as the slow clock source. PMC_SR.OSCSELS informs when the switch sequence initiated by a new value written in SCKC_CR.OSCSEL is done.

25.4.1 Embedded 32 kHz (typical) RC Oscillator

By default, the embedded 32 kHz (typical) RC oscillator is enabled and selected. The user has to take into account the possible drifts of this oscillator. Refer to [Table 54-2 DC Characteristics](#) in [Section 54. Electrical Characteristics](#).

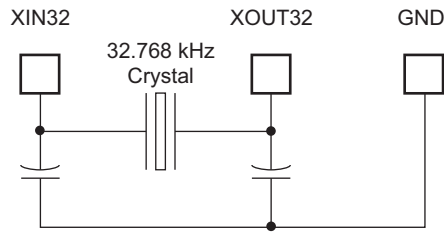
This oscillator is disabled by clearing SCKC_CR.RCEN.

25.4.2 32.768 kHz Crystal Oscillator

The Clock Generator integrates a low-power 32.768 kHz crystal oscillator. To use this oscillator, the XIN32 and XOUT32 pins must be connected to a 32.768 kHz crystal. Two external capacitors must be wired as shown in [Figure 25-2](#). More details are given in the section "DC Characteristics".

Note that the user is not obliged to use the 32.768 kHz crystal oscillator and can use the 32 kHz (typical) RC oscillator instead.

Figure 25-2: Typical 32.768 kHz Crystal Oscillator Connection



The 32.768 kHz crystal oscillator provides a more accurate frequency than the 32 kHz (typical) RC oscillator.

To select the 32.768 kHz crystal oscillator as the source of the slow clock, the bit `SCKC_CR.OSCSEL` must be set. This results in a sequence which enables the 32.768 kHz crystal oscillator and then disables the 32 kHz (typical) RC oscillator to save power. The switch of the slow clock source is glitch-free.

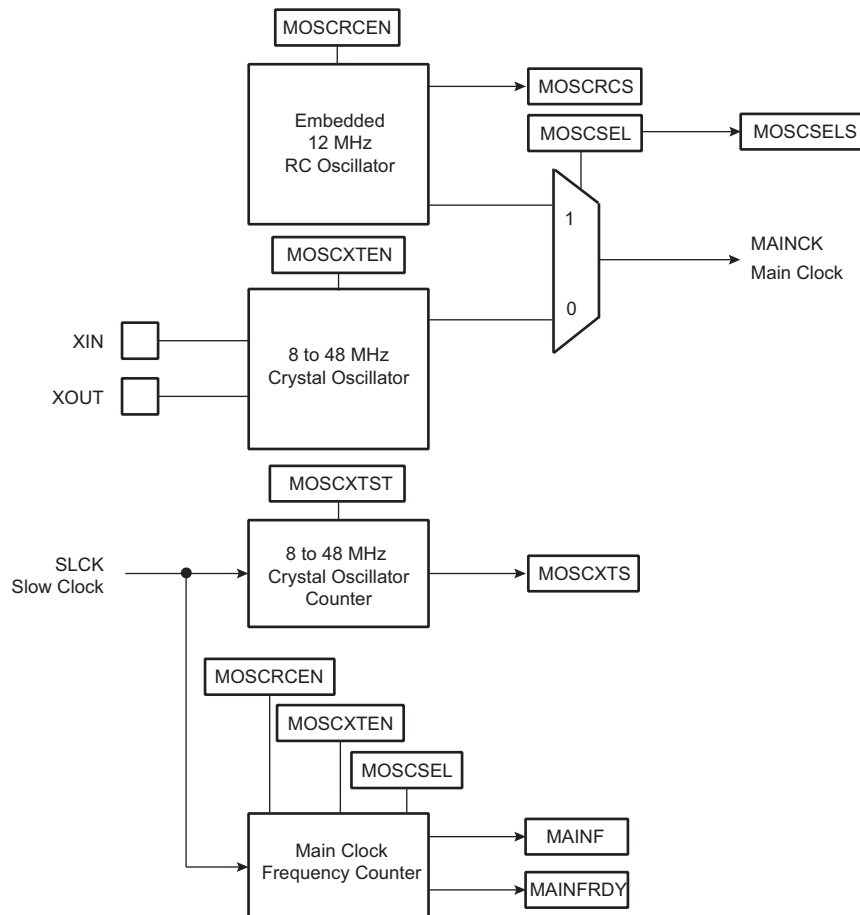
The user can also set the 32.768 kHz crystal oscillator in Bypass mode instead of connecting a crystal. In this case, the user must provide the external clock signal on XIN32. The input characteristics of the XIN32 pin are given in the section “Electrical Characteristics”. To enter Bypass mode, the `SCKC_CR.OSC32BYP` must be set prior to setting `SCKC_CR.OSCSEL`.

25.5 Main Clock

The main clock has two sources:

- a 12 MHz RC oscillator with a fast startup time and used at startup
- an 8 to 48 MHz crystal oscillator which can be bypassed

Figure 25-3: Main Clock Block Diagram



SAMA5D3 SERIES

25.5.1 12 MHz RC Oscillator

After reset, the 12 MHz RC oscillator is enabled and it is selected as the source of MCK. MCK is the default clock selected to start up the system.

Refer to [Table 54-2 DC Characteristics](#).

The software can disable or enable the 12 MHz RC oscillator with the MOSRCEN bit in CKGR_MOR.

When disabling the main clock by clearing the MOSRCEN bit in CKGR_MOR, the MOSCRCS bit in PMC_SR is automatically cleared, indicating the main clock is off.

Setting the MOSCRCS bit in the Interrupt Enable register (PMC_IER) can trigger an interrupt to the processor.

25.5.2 12 MHz RC Oscillator Clock Frequency Adjustment

If an external 32 KHz crystal is used, it is possible for the user to adjust the 12 MHz RC oscillator frequency through the [PMC Oscillator Calibration Register](#) (PMC_OCR). By default, the SEL bit in PMC_OCR is low, so the RC oscillator is driven with fuse calibration bits which are programmed during the chip production.

The user can adjust the trimming of the 12 MHz RC oscillator through PMC_OCR in order to obtain more accurate frequency (to compensate derating factors such as temperature and voltage).

In order to calibrate the 12 MHz oscillator frequency, SEL must be set to 1 and a correct frequency value must be configured in the CAL field.

Bit 6 of the field CAL[6:0] is a sign bit. Increasing the CAL field value (highest code) increases the 12 MHz RC oscillator output frequency with a typical 55 kHz step.

0111111	Highest code
0111110	
.....	
0000010	
0000001	
0000000	Middle code
1111111	
1111110	
.....	
1000010	
1000001	
1000000	Lowest code

It is possible to restart, at anytime, a measurement of the frequency of the selected clock by means of the RCMEAS bit in the Clock Generator Main Clock Frequency register (CKGR_MCFR). Thus, when MAINFRDY flag reads 1, another read access on CKGR_MCFR provides an image of the frequency of the main clock on MAINF field. The software can calculate the error with an expected frequency and correct the CAL field in PMC_OCR accordingly. This may be used to compensate frequency drift due to derating factors such as temperature and/or voltage.

25.5.3 8 to 48 MHz Crystal Oscillator

After reset, the 8 to 48 MHz crystal oscillator is disabled and is not selected as the source of MAINCK.

As the source of MAINCK, the 8 to 48 MHz crystal oscillator provides an accurate frequency. The software enables or disables this oscillator in order to reduce power consumption via CKGR_MOR.MOSCXTEN.

When disabling this oscillator by clearing the CKGR_MOR.MOSCXTEN bit, the PMC_SR.MOSCXTS bit is automatically cleared, indicating the 8 to 48 MHz crystal oscillator is off.

When enabling this oscillator, the user must initiate the startup time counter. This startup time depends on the characteristics of the external device connected to this oscillator. Refer to [Section 54. Electrical Characteristics](#) for the startup time.

When CKGR_MOR.MOSCXTEN and CKGR_MOR.MOSCXTST are written to enable this oscillator, the PMC_SR.MOSCXTS bit is cleared and the counter starts counting down on the slow clock divided by 8 from the MOSCXTST value. When the counter reaches 0, the PMC_SR.MOSCXTS is set, indicating that the 8 to 48 MHz crystal oscillator is stabilized. Setting PMC_IMR.MOSCXTS triggers an interrupt to the processor.

25.5.4 Main Clock Source Selection

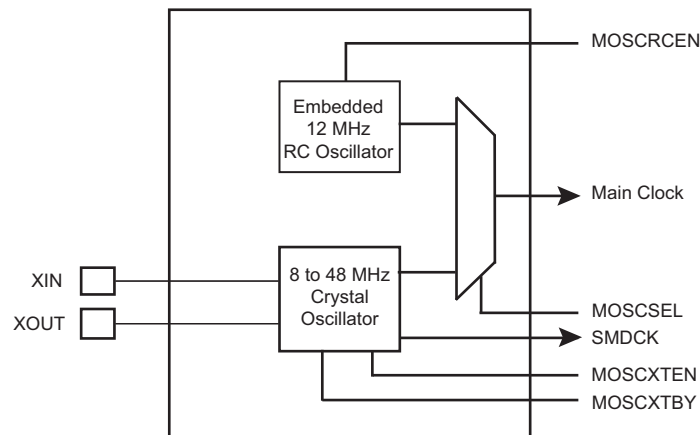
The main clock is generated by the 8 to 48 MHz crystal oscillator, an XRCGB crystal resonator or by the embedded 12 MHz RC oscillator.

The selection is made by writing CKGR_MOR.MOSCSEL. The switch of the main clock source is glitch-free, so there is no need to run out of SLCK or PLLACK in order to change the selection. PMC_SR.MOSCSELS indicates when the switch sequence is done.

Setting PMC_IMR.MOSCSELS triggers an interrupt to the processor.

The 8 to 48 MHz crystal oscillator can be bypassed by setting the MOSCXTBY bit in CKGR_MOR to accept an external main clock on XIN (refer to [Section 25.5.5 Bypassing the 8 to 48 MHz Crystal Oscillator](#)).

Figure 25-4: Main Clock Source Selection



MOSCRCEEN, MOSCXTEN, MOSCSEL and MOSCXTBY bits are located in the [PMC Clock Generator Main Oscillator Register \(CKGR_MOR\)](#).

After a VDDBU power-on reset, the default configuration is MOSCRCEEN = 1, MOSCXTEN = 0 and MOSCSEL = 0, allowing the 12 MHz RC oscillator to start as Main clock.

25.5.5 Bypassing the 8 to 48 MHz Crystal Oscillator

Prior to bypassing the 8 to 48 MHz crystal oscillator, the external clock frequency provided on the XIN pin must be stable and within the values specified in the XIN Clock characteristics in the section “Electrical Characteristics”.

The sequence to bypass the crystal oscillator is the following:

1. Ensure that an external clock is connected on XIN.
2. Enable the bypass by setting CKGR_MOR.MOSCXTBY.
3. Disable the 8 to 48 MHz crystal oscillator by clearing CKGR_MOR.MOSCXTEN.

25.5.6 Main Clock Frequency Counter

The frequency counter is managed by CKGR_MCFR.

During the measurement period, the frequency counter increments at the main clock speed.

A measurement is started in the following cases:

- When the RCMEAS bit of CKGR_MCFR is written to 1.
- When the 12 MHz RC oscillator is selected as the source of the main clock and when this oscillator becomes stable (i.e., when the MOSCRCS bit is set)
- When the 8 to 48 MHz crystal oscillator is selected as the source of the main clock and when this oscillator becomes stable (i.e., when the MOSCXTS bit is set)
- When the main clock source selection is modified

SAMA5D3 SERIES

The measurement period ends at the 16th falling edge of the slow clock, the MAINFRDY bit in CKGR_MCFR is set and the counter stops counting. Its value can be read in the MAINF field of CKGR_MCFR and gives the number of main clock cycles during 16 periods of slow clock, so that the frequency of the 12 MHz RC oscillator or the crystal oscillator can be determined.

25.5.7 Switching Main Clock Between the RC Oscillator and the Crystal Oscillator

When switching the source of the main clock between the RC oscillator and the crystal oscillator, both oscillators must be enabled. After completion of the switch, the unused oscillator can be disabled.

If switching to the crystal oscillator, a check must be carried out to ensure that the oscillator is present and that its frequency is valid. Follow the sequence below:

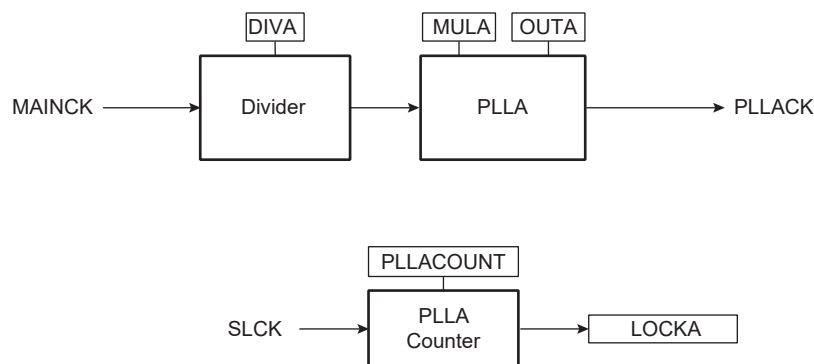
1. Select the slow clock as MCK by configuring bit CSS = 0 in the Master Clock register (PMC_MCKR).
2. Wait for PMC_SR.MCKRDY flag in PMC_SR to rise.
3. Enable the crystal oscillator by setting CKGR_MOR.MOSCXTEN. Configure the CKGR_MOR.MOSCXTST field with the crystal oscillator start-up time as defined in the section “Electrical Characteristics”.
4. Wait for PMC_SR.MOSCXTS flag to rise, indicating the end of a start-up period of the crystal oscillator.
5. Select the crystal oscillator as the source of the main clock by setting CKGR_MOR.MOSCSEL.
6. Read CKGR_MOR.MOSCSEL until its value equals 1.
7. Check the status of PMC_SR.MOSCSELS flag:
 - If MOSCSELS = 1: There is a crystal oscillator connected.
 - a) Initiate a new frequency measurement by setting CKGR_MCFR.RCMEAS.
 - b) Read CKGR_MCFR.MAINFRDY until its value equals 1.
 - c) Read CKGR_MCFR.MAINF and compute the value of the crystal frequency.
 - d) If the MAINF value is valid, the main clock can be switched to the crystal oscillator.
 - If MOSCSELS = 0: There is no crystal oscillator connected or the crystal oscillator is out of specification.
 - Select the RC oscillator as the source of the main clock by clearing CKGR_MOR.MOSCSEL.

25.6 Divider and PLLA Block

The PLLA embeds an input divider to increase the accuracy of the resulting clock signals. However, the user must respect the PLLA minimum input frequency when programming the divider.

Figure 25-5 shows the block diagram of the divider and PLLA block.

Figure 25-5: Divider and PLLA Block Diagram



25.6.1 Divider and Phase Lock Loop Programming

The divider can be set between 1 and 255 in steps of 1. When a divider field (DIV) is cleared, the output of the corresponding divider and the PLL output is a continuous signal at level 0. On reset, each DIV field is cleared, thus the corresponding PLL input clock is stuck at 0.

The PLLA allows multiplication of the divider's outputs. The PLLA clock signal has a frequency that depends on the respective source signal frequency and on the parameters DIVA and MULA. The factor applied to the source signal frequency is $(MULA + 1)/DIVA$. When MULA is written to 0, the PLLA is disabled and its power consumption is saved. Re-enabling the PLLA can be performed by writing a value higher than 0 in the MUL field.

Whenever the PLLA is re-enabled or one of its parameters is changed, the LOCKA bit in PMC_SR is automatically cleared. The values written in the PLLACOUNT field in CKGR_PLLAR are loaded in the PLLA counter. The PLLA counter then decrements at the speed of the slow clock until it reaches 0. At this time, the LOCK bit is set in PMC_SR and can trigger an interrupt to the processor. The user has to load the number of slow clock cycles required to cover the PLLA transient time into the PLLACOUNT field.

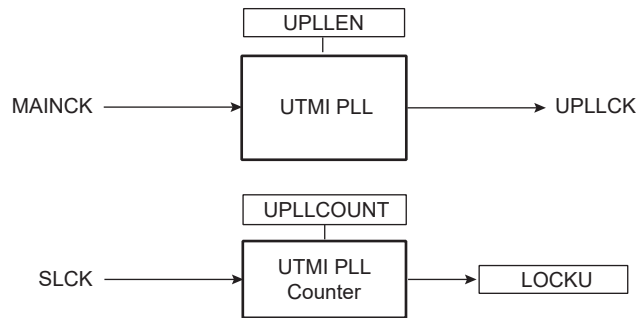
The PLLA clock must be divided by 2 by writing the PLLADIV2 bit in PMC_MCKR, if the ratio between Processor Clock (PCK) and MCK is 3 (MDIV = 3).

25.7 UTMI Phase Lock Loop Programming

The source clock of the UTMI PLL is the main clock (MAINCK). The MAINCK must select the fast crystal oscillator to meet the frequency accuracy required by USB.

The crystal frequency selection among 12, 16, 24 or 48 MHz must be configured to the correct value in the field SFR_UTMICKTRIM.FREQ, in order to apply the correct multiplier, x40, x30, x20 or x10, respectively.

Figure 25-6: UTMI PLL Block Diagram



Whenever the UTMI PLL is enabled by writing UPLLEN in CKGR_UCKR, the LOCKU bit in PMC_SR is automatically cleared. The values written in the PLLCOUNT field in CKGR_UCKR are loaded in the UTMI PLL counter. The UTMI PLL counter then decrements at the speed of the slow clock divided by 8 until it reaches 0. At this time, the LOCKU bit is set in PMC_SR and can trigger an interrupt to the processor. The user has to load the number of slow clock cycles required to cover the UTMI PLL transient time into the PLLCOUNT field.

26. Power Management Controller (PMC)

26.1 Description

The Power Management Controller (PMC) optimizes power consumption by controlling all system and user peripheral clocks. The PMC enables/disables the clock inputs to many of the peripherals and the Core.

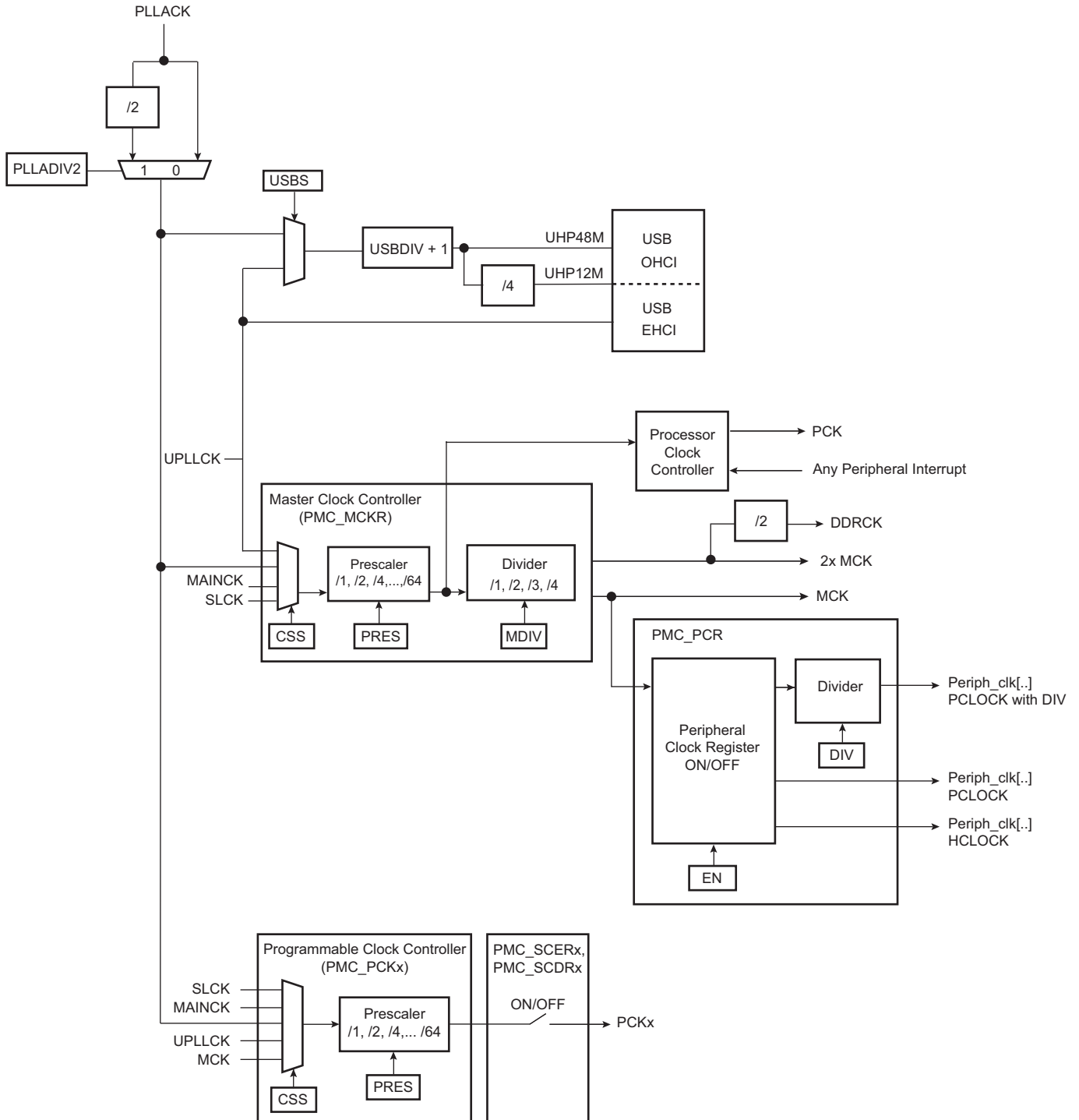
26.2 Embedded Characteristics

The Power Management Controller provides the following clocks:

- Master Clock (MCK)—programmable from a few hundred Hz to the maximum operating frequency of the device. It is available to the modules running permanently.
- Processor Clock (PCK)—must be switched off when processor is entering Idle mode
- USB Device HS Clock (UDPCK)
- Software Modem Clock (SMDCK)
- Peripheral Clocks (typically MCK)—provided to the embedded peripherals (USART, SSC, SPI, TWI, TC, HSMCI, etc.) and independently controllable. In order to reduce the number of clock names in a product, the Peripheral Clocks are named MCK.
- Programmable Clock Outputs can be selected from the clocks provided by the clock generator and driven on the PCKx pins.

26.3 Block Diagram

Figure 26-1: General Clock Block Diagram



SAMA5D3 SERIES

26.4 Master Clock Controller

The Master Clock Controller provides selection and division of the Master Clock (MCK). MCK is the source clock of the peripheral clocks. The Master Clock is selected from one of the clocks provided by the Clock Generator. Selecting the slow clock provides a slow clock signal to the whole device. Selecting the main clock saves power consumption of the PLLs.

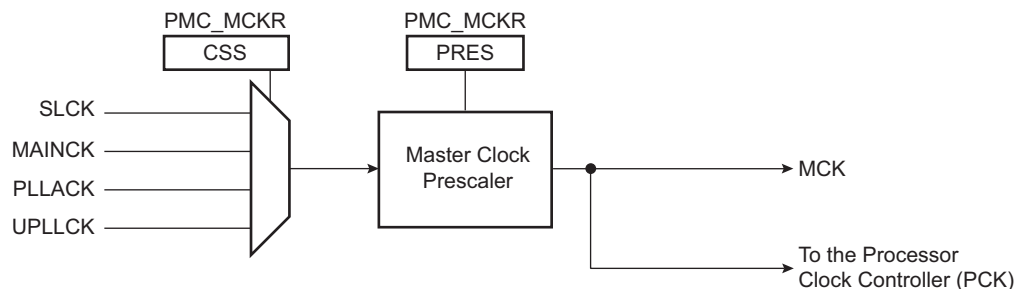
The Master Clock Controller is made up of a clock selector and a prescaler. It also contains a Master Clock divider which allows the processor clock to be faster than the Master Clock.

The Master Clock selection is made by writing the CSS (Clock Source Selection) field in PMC_MCKR (Master Clock register). The prescaler supports the division by a power of 2 of the selected clock between 1 and 64, and the division by 6. The PRES field in PMC_MCKR programs the prescaler.

Note: It is forbidden to modify MDIV and CSS at the same access. Each field must be modified separately with a wait for MCKRDY flag between the first field modification and the second field modification.

Each time PMC_MCKR is written to define a new Master Clock, the MCKRDY bit is cleared in PMC_SR. It reads 0 until the Master Clock is established. Then, the MCKRDY bit is set and can trigger an interrupt to the processor. This feature is useful when switching from a high-speed clock to a lower one to inform the software when the change is actually done.

Figure 26-2: Master Clock Controller



26.5 Processor Clock Controller

The PMC features a Processor Clock (PCK) Controller that implements the processor Idle mode.

The processor clock can be disabled by executing the WFI (WaitForInterrupt) processor instruction.

The processor clock can be disabled by writing the [PMC System Clock Disable Register](#) (PMC_SCDR). The status of this clock (at least for debug purposes) can be read in the [PMC System Clock Status Register](#) (PMC_SCSR).

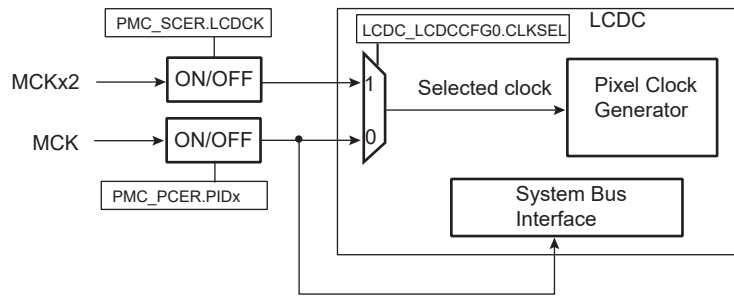
The processor clock is enabled after a reset and is automatically re-enabled by any enabled interrupt. The processor Idle mode is achieved by disabling the processor clock, which is automatically re-enabled by any enabled fast or normal interrupt, or by the reset of the product.

When processor Idle mode is entered, the current instruction is finished before the clock is stopped, but this does not prevent data transfers from other masters of the system bus.

26.6 LCDC Clock Controller

In order to have more flexibility on the pixel clock, the LCDC can use MCK or MCKx2, if LCDCK is set in the [PMC System Clock Enable Register](#) (PMC_SCER).

Figure 26-3: LCDCLK Clock Configuration



26.7 USB Device and Host Clocks

The USB Device and Host High Speed ports (UDPHS and UPHS) clocks are enabled by the corresponding PIDx bits in PMC_PCERx. To save power on this peripheral when they are not used, the user can set these bits in PMC_PCDR. Corresponding PIDx bits in PMC_PCSR give the status of these clocks.

The PMC also provides the clocks UHP48M and UHP12M to the USB Host OHCI. The USB Host OHCI clocks are controlled by the UHP bit in PMC_SCER. To save power on this peripheral when they are not used, the user can set the UHP bit in PMC_SCDR. The UHP bit in PMC_SCSR gives the status of this clock. The USB host OHCI requires both the 12/48 MHz signal and the Master Clock. The USBDIV field in PMC_USB register is to be programmed to 9 (division by 10) for normal operations.

To further reduce power consumption the user can stop UTMI PLL, in this case USB high-speed operations are not possible. Nevertheless, as the USB OHCI Input clock can be selected with USBS bit (PLLA or UTMI PLL) in PMC_USB register, OHCI full-speed operation remains possible.

The user must program the USB OHCI Input Clock and the USBDIV divider in the PMC_USB register to generate a 48 MHz and a 12 MHz signal with an accuracy of $\pm 0.25\%$.

The USB clock input is to be defined according to main oscillator via the FREQ field. This field is defined in the UTMI Clock Trimming register (SFR_UTMICKTRIM). Refer to [Section 15. Special Function Registers \(SFR\)](#). This input clock can be 12, 16, 24 or 48 MHz.

26.8 DDR2/LPDDR/LPDDR2 Clock

The PMC controls the clocks of the DDR memory.

The DDR clock can be enabled and disabled with the DDRCK bit respectively in PMC_SCER and PMC_SDER. At reset, the DDR clock is disabled to reduce power consumption.

In case MDIV = 0 (PCK = MCK), the DDRCK clock is not available.

To reduce PLLA power consumption, the user can choose UPLLCK as an input clock for the system. In this case the DDR Controller can drive LPDDR or LPDDR2 at up to 120 MHz.

26.9 Software Modem Clock

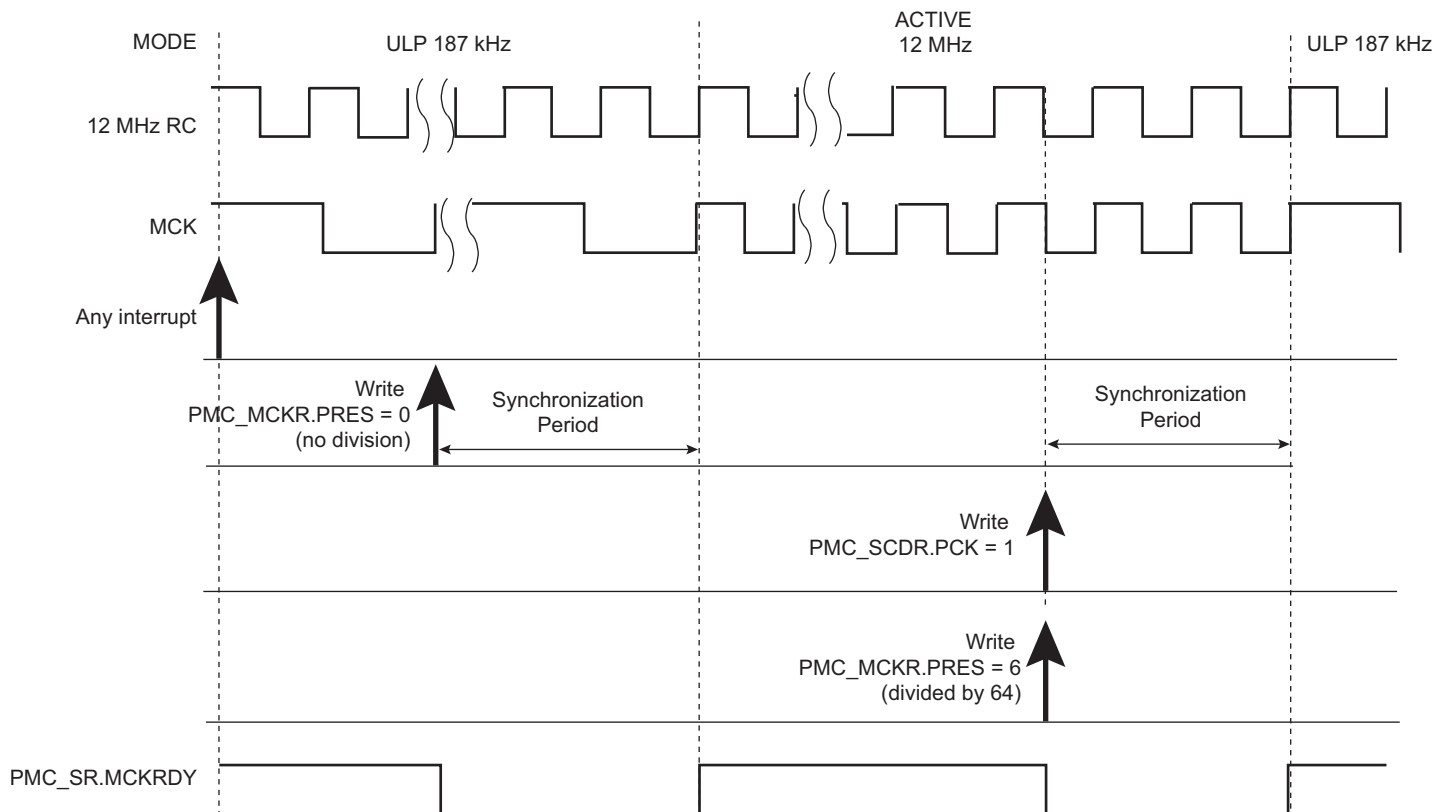
The PMC controls the clocks of the Software Modem.

SMDCK is a division of UPLL or PLLA.

26.10 Fast Startup from Ultra Low-power (ULP) Mode

In Ultra Low-power (ULP) mode, the main clock (MAINCK) must be running, thus either the 12 MHz crystal oscillator or the Fast RC oscillator must be enabled. The lowest power consumption that can be achieved in ULP Mode, can be obtained when dividing the selected oscillator frequency by 64 by writing the field PMC_MCKR.PRES to 6. Any interrupt exits the system from ULP Mode. The software must write PMC_MCKR.PRES to 1 to provide MCK with the fastest clock. If the PLL is used, the startup procedure must be done prior to write PMC_MCKR.PRES to 1. [Figure 26-4](#) is an example of startup phase from ULP Mode without use of PLL.

Figure 26-4: Fast Startup from Ultra Low-Power Mode



Warning: The duration of the WKUPx pins active level must be greater than 4 MAINCK cycles.

26.11 Peripheral Clock Controller

The PMC controls the clocks of each embedded peripheral by means of the Peripheral Clock Controller. The user can individually enable and disable the clock on the peripherals and select a division factor from MCK. This is done in the Peripheral Control register (PMC_PCR).

In order to reduce power consumption, the division factor can be 1, 2, 4 or 8.

The divisor is defined in PMC_PCR. To apply a division factor, PID, CMD and DIV must be written in a single operation. The target peripheral clock is defined by the PID field. The divisor value is defined by DIV and the bit CMD must be set. To read the current division factor associated with a peripheral clock, two separate operations must be performed:

1. Write a zero to the CMD bit and configure PID for the target peripheral clock. DIV is not significant for this operation.
2. Read PMC_PCR. The value of DIV is the divisor applied to the peripheral clock defined by PID.

When a peripheral clock is disabled, the clock is immediately stopped. The peripheral clocks are automatically disabled after a reset.

In order to stop a peripheral, it is recommended that the system software wait until the peripheral has executed its last programmed operation before disabling the clock. This is to avoid data corruption or erroneous behavior of the system.

The value written in the PID field in PMC_PCR is the Peripheral Identifier defined at the product level (refer to [Section 8.2 Peripheral Identifiers](#)). Generally, the field value corresponds to the interrupt source number assigned to the peripheral.

26.12 Programmable Clock Controller

The PMC controls three signals to be outputs on external pins PCKx. Each signal can be independently programmed via the PMC Programmable Clock register (PMC_PCKx).

PCKx can be independently selected between the Slow Clock (SLCK), the Master Clock (MAINCK), the PLLACK, the UTMI PLL output and the Main Clock by writing the CSS field in PMC_PCKx. Each output signal can also be divided by a power of 2 between 1 and 64 by writing the PRES (Prescaler) field in PMC_PCKx.

Each output signal can be enabled and disabled by writing a 1 in the corresponding bit, PCKx of PMC_SCER and PMC_SCDR, respectively. The status of the active programmable output clocks are given in the PCKx bits of PMC_SCSR.

The status bit PCKRDYx in PMC_SR indicates that the Programmable Clock programmed in PMC_PCKx is ready.

As the Programmable Clock Controller does not implement glitch prevention when switching clocks, it is strongly recommended to disable the Programmable Clock before any configuration change and to re-enable it after the change is actually performed.

26.13 Main Clock Failure Detector

The clock failure detector monitors the 8 to 48 MHz crystal oscillator or ceramic resonator-based oscillator to identify a possible failure of this oscillator.

The clock failure detector can be enabled or disabled by bit CFDEN in CKGR_MOR. After a VDDCORE reset, the detector is disabled. However, if the oscillator is disabled (MOSCXTEN = 0), the detector is also disabled.

The sequence to initialize the clock failure detector is the following:

1. The RC oscillator must be selected as the source of MAINCK.
2. MCK must select MAINCK.
3. Enable the clock failure detector by setting the bit CKGR_MOR.CFDEN.
4. PMC_SR must be read two slow clock cycles after enabling the clock failure detector. The value read is meaningless.

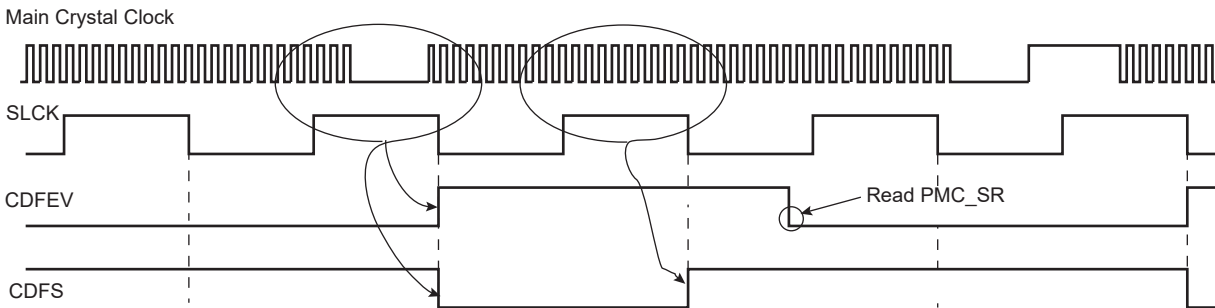
The clock failure detector is now initialized and MCK can select another clock source by programming field PMC_MCKR.CSS.

A failure is detected by means of a counter incrementing on the main oscillator clock edge and detection logic is triggered by the 32 kHz generated by the 32 kHz (typical) RC oscillator. This oscillator is automatically enabled when CFDEN = 1.

The counter is cleared when the 32 kHz generated by the 32 kHz (typical) RC oscillator clock signal is low, and enabled when the signal is high. Thus, the failure detection time is one RC oscillator period. If, during the high level period of the 32 kHz generated by the 32 kHz (typical) RC oscillator clock signal, less than eight 8 to 48 MHz crystal oscillator clock periods have been counted, then a failure is reported.

If a failure of the main clock is detected, bit PMC_SR.CFDEV indicates a failure event and generates an interrupt if the corresponding interrupt source is enabled. The interrupt remains active until a read occurs in PMC_SR. The user can know the status of the clock failure detection at any time by reading bit PMC_SR.CFDS.

Figure 26-5: Clock Failure Detection (Example)



Note: Ratio of clock periods is for illustration purposes only.

If the 8 to 48 MHz crystal oscillator or ceramic resonator-based oscillator is selected as the source clock of MAINCK (CKGR_MOR.MOSCSEL = 1), and if MCK source is PLLACK or UPLLCK (PMC_MCKR.CSS = 2 or 3), a clock failure detection automatically forces MAINCK to be the source clock for the master clock (MCK). Then, regardless of the PMC configuration, a clock failure detection automatically forces the 12 MHz RC oscillator to be the source clock for MAINCK. If this oscillator is disabled when a clock failure detection occurs, it is automatically re-enabled by the clock failure detection mechanism.

It takes two 32 kHz (typical) clock cycles to detect and switch from the 8 to 48 MHz crystal oscillator to the 12 MHz RC oscillator if the source master clock (MCK) is main clock (MAINCK), or three 32 kHz (typical) cycles if the source of MCK is PLLACK or UPLLCK.

A clock failure detection activates a fault output that is connected to the Pulse Width Modulator (PWM) Controller. With this connection, the PWM controller is able to force its outputs and to protect the driven device, if a clock failure is detected.

The user can know the status of the clock failure detector at any time by reading bit PMC_SR.FOS.

This fault output remains active until the defect is detected and until it is cleared by the bit FOCLR in the Fault Output Clear register (PMC_FOCR).

26.14 Programming Sequence

1. If the 8 to 48 MHz crystal oscillator is not required, PLL can be directly configured (begin with [Step 6.](#) or [Step 7.](#)) else this oscillator must be started (begin with [Step 2.](#)).
2. Enable the 8 to 48 MHz crystal oscillator by setting the MOSCXTEN bit in CKGR_MOR. The user can define a start-up time. This can be achieved by writing a value in the MOSCXTST field in CKGR_MOR. Once this register has been correctly configured, the user must wait for the MOSCXTS field in PMC_SR to be set. This can be done either by polling MOSCXTS in PMC_SR or by waiting for the interrupt line to be raised if the associated interrupt source (MOSCXTS) has been enabled in PMC_IER.
3. Switch the MAINCK to the 8 to 48 MHz crystal oscillator by setting MOSCSEL in CKGR_MOR.
4. Wait for the MOSCSELS to be set in PMC_SR to ensure the switchover is complete.
5. Check the main clock frequency:

The main clock frequency can be measured via the Main Clock Frequency register (CKGR_MCFR).

Read CKGR_MCFR until the MAINFRDY field is set, after which the user can read the field CKGR_MCFR.MAINF by performing an additional read. This provides the number of main clock cycles that have been counted during a period of 16 slow clock cycles.

If MAINF = 0, switch the MAINCK to the 12 MHz RC oscillator by clearing CKGR_MOR.MOSCSEL. If MAINF ≠ 0, proceed to [Step 6.](#)

6. Setting PLLA and divider (if not required, proceed to [Step 7.](#))

All parameters needed to configure PLLA and the divider are located in CKGR_PLLAR.

The DIVA field is used to control the divider itself. A value between 0 and 255 can be programmed. Divider output is divider input divided by DIVA parameter. By default, the DIVA field is cleared, which means that the divider and PLLA are turned off.

The MULA field is the PLLA multiplier factor. This parameter can be programmed between 0 and 127. If MULA is cleared, PLLA is turned off, otherwise the PLLA output frequency is PLLA input frequency multiplied by (MULA + 1).

The PLLACOUNT field specifies the number of slow clock cycles before LOCKA bit is set in PMC_SR after CKGR_PLLAR has been written.

Once CKGR_PLLAR has been written, the user must wait for the LOCKA bit to be set in PMC_SR. This can be done either by polling LOCKA in PMC_SR or by waiting for the interrupt line to be raised if the associated interrupt source (LOCKA) has been enabled in PMC_IER. All parameters in CKGR_PLLAR can be programmed in a single write operation. If at some stage parameter MULA or DIVA is modified, LOCKA bit goes low to indicate that PLLA is not yet ready. When PLLA is locked, LOCKA is set again.

Once CKGR_PLLAR is written, the user has to write '3' in the IPLL_PLLA field of the PLL Charge Pump Current register (PMC_PLLICPR). The user must perform this step before using the PLLA output clock.

The user must wait for the LOCKA bit to be set before using the PLLA output clock.

7. Setting Bias and High-speed PLL (UPLL) for UTMI

The UTMI PLL is enabled by setting the UPLEN field in CKGR_UCKR. The UTMI Bias must be enabled by setting the BIASEN field in CKGR_UCKR at the same time. In some cases, it may be preferable to define a start-up time. This can be achieved by writing a value in the PLLCOUNT field in CKGR_UCKR.

Once this register has been correctly configured, the user must wait for the LOCKU field in PMC_SR to be set. This can be done either by polling LOCKU in PMC_SR or by waiting for the interrupt line to be raised if the associated interrupt source (LOCKU) has been enabled in PMC_IER.

8. Selecting Master Clock and Processor Clock

The Master Clock and the Processor Clock are configurable via PMC_MCKR.

The CSS field is used to select the clock source of the Master Clock and Processor Clock dividers. By default, the selected clock source is the main clock.

The PRES field is used to define the Processor Clock and Master Clock prescaler. The user can choose between different values (1, 2, 4, 8, 16, 32, 64). Prescaler output is the selected clock source frequency divided by the PRES value.

The MDIV field is used to define the Master Clock divider. It is possible to choose between different values (0, 1, 2, 3). The Master Clock output is Processor Clock frequency divided by 1, 2, 3 or 4, depending on the value programmed in MDIV.

By default, MDIV and PLLADIV2 are cleared, which indicates that Processor Clock is equal to the Master Clock.

Once PMC_MCKR has been written, the user must wait for the MCKRDY bit to be set in PMC_SR. This can be done either by polling MCKRDY in PMC_SR or by waiting for the interrupt line to be raised if the associated interrupt source (MCKRDY) has been enabled in PMC_IER.

PMC_MCKR must not be programmed in a single write operation. The programming sequence for PMC_MCKR is the following:

If a new value for CSS field corresponds to PLL Clock,

- a) Program PMC_MCKR.PRES field
- b) Wait for PMC_SR.MCKRDY bit to be set
- c) Program PMC_MCKR.MDIV field
- d) Wait for PMC_SR.MCKRDY bit to be set
- e) Program PMC_MCKR.CSS field
- f) Wait for PMC_SR.MCKRDY bit to be set

If a new value for CSS field corresponds to main clock or slow clock,

- a) Program PMC_MCKR.CSS field
- b) Wait for PMC_SR.MCKRDY bit to be set
- c) Program PMC_MCKR.PRES field
- d) Wait for PMC_SR.MCKRDY bit to be set

If at some stage parameter CSS, MDIV or PRES is modified, the MCKRDY bit goes low to indicate that the Master Clock and the Processor Clock are not yet ready. The user must wait for the MCKRDY bit to be set again before using the Master and Processor Clocks.

Note: If PLLA clock was selected as the Master Clock and the user decides to modify it by writing in CKGR_PLLR, the MCKRDY flag goes low while PLL is unlocked. Once PLL is locked again, LOCKA goes high and MCKRDY is set. While PLL is unlocked, the Master Clock selection is automatically changed to slow clock. For further information, see [Section 26.15.2 Clock Switching Waveforms](#).

Code Example:

```
write_register(PMC_MCKR, 0x00000001)
wait (MCKRDY=1)
write_register(PMC_MCKR, 0x00000011)
wait (MCKRDY=1)
```

The Master Clock is main clock divided by 2.

The Processor Clock is the Master Clock.

9. Selecting Programmable Clocks

Programmable clocks can be enabled and/or disabled via PMC_SCER and PMC_SCDR. 3 programmable clocks can be used. PMC_SCSR indicates which programmable clock is enabled. By default all programmable clocks are disabled.

PMC_PCKx registers are used to configure programmable clocks.

The PMC_PCKx.CSSfield selects the programmable clock divider source. Five clock options are available: main clock, slow clock, master clock, PLLACK, UPLLCK. The slow clock is the default clock source.

The PRES field is used to control the programmable clock prescaler. It is possible to choose among different values (1, 2, 4, 8, 16, 32, 64). Programmable clock output is prescaler input divided by PRES parameter. By default, the PRES value is cleared which means that PCKx is equal to slow clock.

Once the PMC_PCKx register has been configured, The corresponding programmable clock must be enabled and the user is constrained to wait for the PCKRDYx bit to be set in PMC_SR. This can be done either by polling PCKRDYx in PMC_SR or by waiting for the interrupt line to be raised if the associated interrupt source (PCKRDYx) has been enabled in PMC_IER. All parameters in PMC_PCKx can be programmed in a single write operation.

If the CSS and PRES parameters are to be modified, the corresponding programmable clock must be disabled first. The parameters can then be modified. Once this has been done, the user must re-enable the programmable clock and wait for the PCKRDYx bit to be set.

10. Enabling Peripheral Clocks

Once all of the previous steps have been completed, the peripheral clocks can be enabled and/or disabled via PMC_PCERx and PMC_PCDRx.

26.15 Clock Switching Details

26.15.1 Master Clock Switching Timings

[Table 26-1](#) and [Table 26-2](#) give the worst case timings required for the Master Clock to switch from one selected clock to another one. This is in the event that the prescaler is deactivated. When the prescaler is activated, an additional time of 64 clock cycles of the new selected clock has to be added.

SAMA5D3 SERIES

Table 26-1: Clock Switching Timings (Worst Case)

To	From		
	Main Clock	SLCK	PLL Clock
Main Clock	–	$4 \times \text{SLCK} + 2.5 \times \text{Main Clock}$	$3 \times \text{PLL Clock} + 4 \times \text{SLCK} + 1 \times \text{Main Clock}$
SLCK	$0.5 \times \text{Main Clock} + 4.5 \times \text{SLCK}$	–	$3 \times \text{PLL Clock} + 5 \times \text{SLCK}$
PLL Clock	$0.5 \times \text{Main Clock} + 4 \times \text{SLCK} + \text{PLLCOUNT} \times \text{SLCK} + 2.5 \times \text{PLL Clock}$	$2.5 \times \text{PLL Clock} + 5 \times \text{SLCK} + \text{PLLCOUNT} \times \text{SLCK}$	$2.5 \times \text{PLL Clock} + 4 \times \text{SLCK} + \text{PLLCOUNT} \times \text{SLCK}$

Note 1: PLL designates either the PLLA or the UPLL Clock.

2: PLLCOUNT designates either PLLACOUNT or UPLLCOUNT.

Table 26-2: Clock Switching Timings Between Two PLLs (Worst Case)

To	From	
	PLLA Clock	UPLL Clock
PLLA Clock	$2.5 \times \text{PLLA Clock} + 4 \times \text{SLCK} + \text{PLLACOUNT} \times \text{SLCK}$	$3 \times \text{PLLA Clock} + 4 \times \text{SLCK} + 1.5 \times \text{PLLA Clock}$
UPLL Clock	$3 \times \text{UPLL Clock} + 4 \times \text{SLCK} + 1.5 \times \text{UPLL Clock}$	$2.5 \times \text{UPLL Clock} + 4 \times \text{SLCK} + \text{UPLLCOUNT} \times \text{SLCK}$

26.15.2 Clock Switching Waveforms

Figure 26-6: Switch Master Clock from Slow Clock to PLL Clock

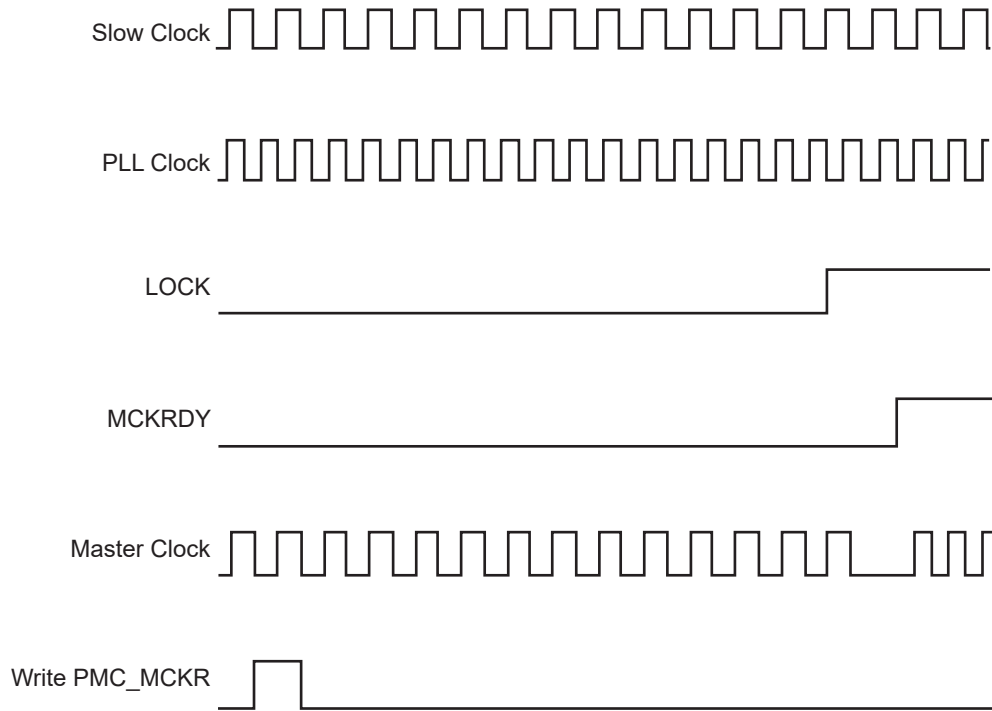
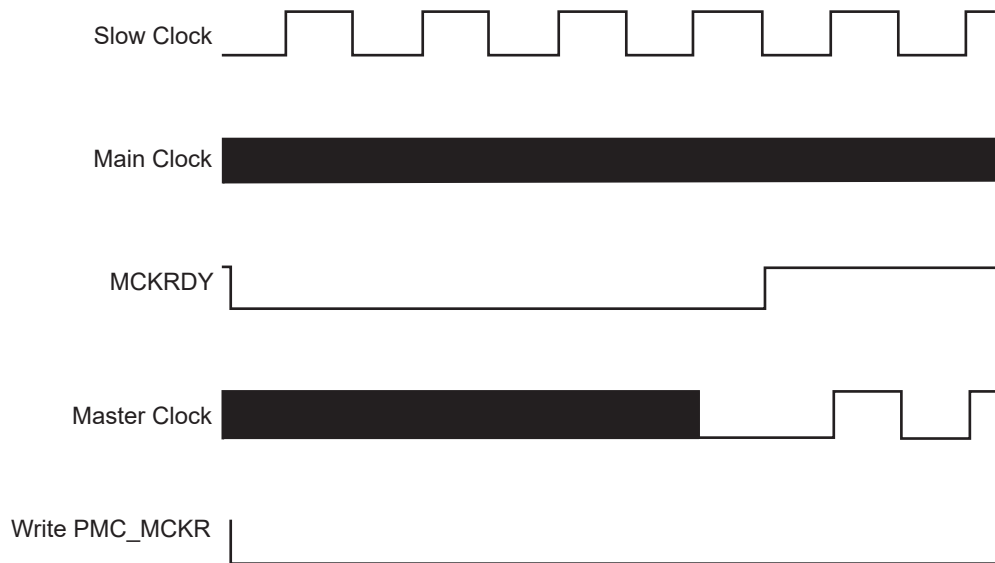


Figure 26-7: Switch Master Clock from Main Clock to Slow Clock



SAMA5D3 SERIES

Figure 26-8: Change PLLA Programming

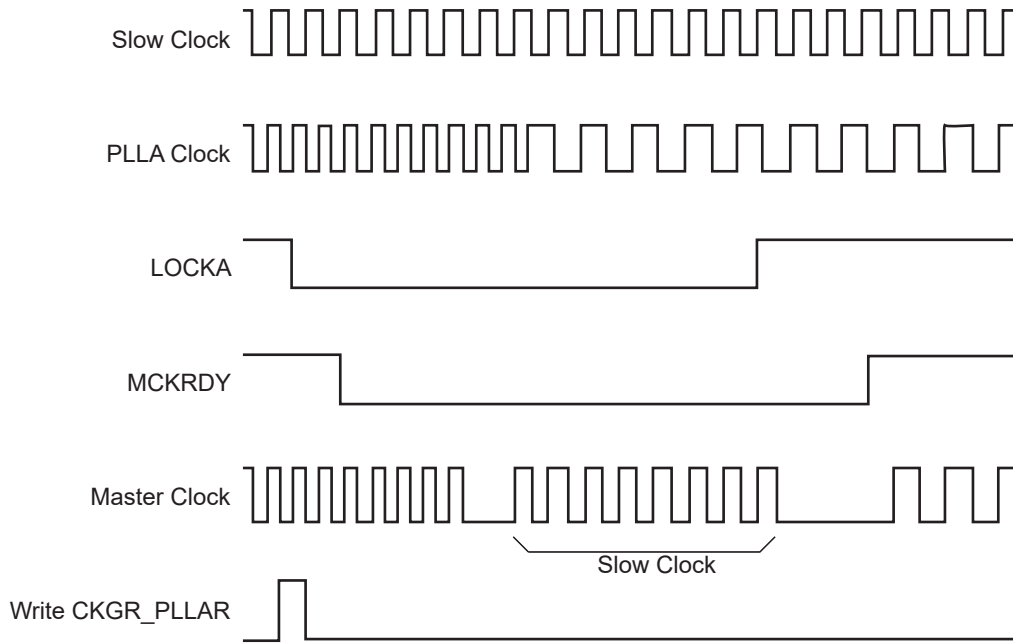
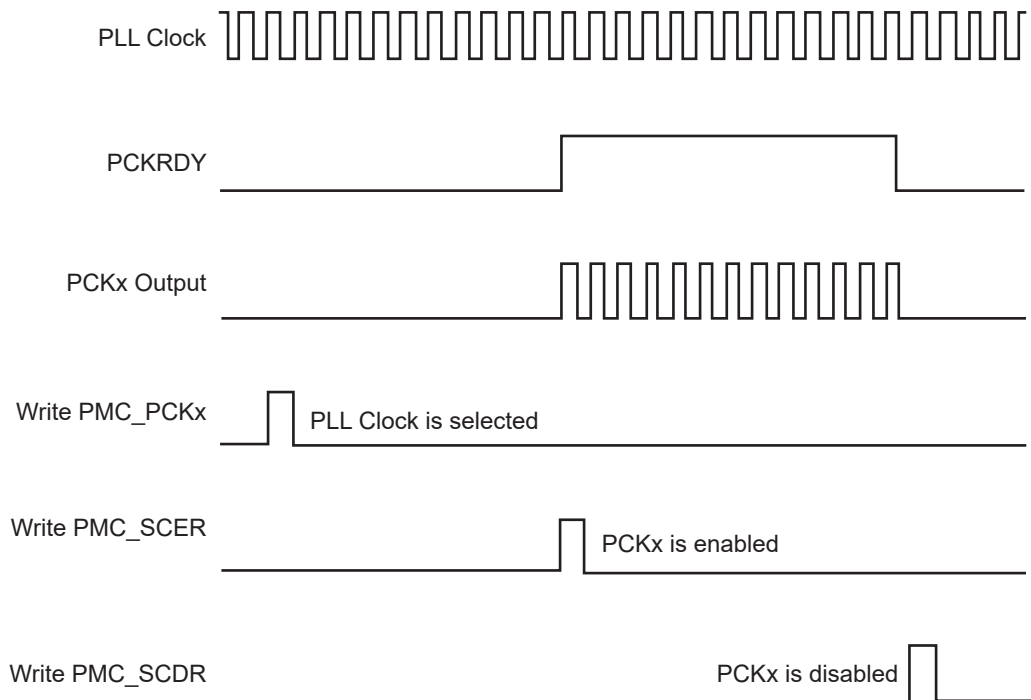


Figure 26-9: Programmable Clock Output Programming



26.16 Register Write Protection

To prevent any single software error from corrupting PMC behavior, certain registers in the address space can be write-protected by setting the WPEN bit in the [PMC Write Protection Mode Register](#) (PMC_WPMR).

If a write access to a write-protected register is detected, the WPVS bit in the [PMC Write Protection Status Register](#) (PMC_WPSR) is set and the field WPVSRC indicates the register in which the write access has been attempted.

The WPVS bit is automatically cleared after reading PMC_WPSR.

The following registers can be write-protected:

- [PMC System Clock Enable Register](#)
- [PMC System Clock Disable Register](#)
- [PMC Peripheral Clock Enable Register 0](#)
- [PMC Peripheral Clock Disable Register 0](#)
- [PMC Clock Generator Main Oscillator Register](#)
- [PMC Clock Generator Main Clock Frequency Register](#)
- [PMC Clock Generator PLLA Register](#)
- [PMC Master Clock Register](#)
- [PMC USB Clock Register](#)
- [PMC Programmable Clock Register](#)
- [PLL Charge Pump Current Register](#)
- [PMC Peripheral Clock Enable Register 1](#)
- [PMC Peripheral Clock Disable Register 1](#)
- [PMC Oscillator Calibration Register](#)

SAMA5D3 SERIES

26.17 Power Management Controller (PMC) User Interface

Table 26-3: Register Mapping

Offset	Register	Name	Access	Reset
0x0000	System Clock Enable Register	PMC_SCER	Write-only	–
0x0004	System Clock Disable Register	PMC_SCDR	Write-only	–
0x0008	System Clock Status Register	PMC_SCSR	Read-only	0x0000_0005
0x000C	Reserved	–	–	–
0x0010	Peripheral Clock Enable Register 0	PMC_PCER0	Write-only	–
0x0014	Peripheral Clock Disable Register 0	PMC_PCDR0	Write-only	–
0x0018	Peripheral Clock Status Register 0	PMC_PCSR0	Read-only	0x0000_0000
0x001C	UTMI Clock Register	CKGR_UCKR	Read/Write	0x1020_0000
0x0020	Main Oscillator Register	CKGR_MOR	Read/Write	0x0100_0001
0x0024	Main Clock Frequency Register	CKGR_MCFR	Read/Write	0x0000_0000
0x0028	PLLA Register	CKGR_PLLAR	Read/Write	0x0000_3F00
0x002C	Reserved	–	–	–
0x0030	Master Clock Register	PMC_MCKR	Read/Write	0x0000_0001
0x0034	Reserved	–	–	–
0x0038	USB Clock Register	PMC_USB	Read/Write	0x0000_0000
0x003C	Soft Modem Clock Register	PMC_SMD	Read/Write	0x0000_0000
0x0040	Programmable Clock 0 Register	PMC_PCK0	Read/Write	0x0000_0000
0x0044	Programmable Clock 1 Register	PMC_PCK1	Read/Write	0x0000_0000
0x0048	Programmable Clock 2 Register	PMC_PCK2	Read/Write	0x0000_0000
0x004C–0x005C	Reserved	–	–	–
0x0060	Interrupt Enable Register	PMC_IER	Write-only	–
0x0064	Interrupt Disable Register	PMC_IDR	Write-only	–
0x0068	Status Register	PMC_SR	Read-only	0x0001_0008
0x006C	Interrupt Mask Register	PMC_IMR	Read-only	0x0000_0000
0x0070–0x0074	Reserved	–	–	–
0x0078	Fault Output Clear Register	PMC_FOCR	Write-only	–
0x007C	Reserved	–	–	–
0x0080	PLL Charge Pump Current Register	PMC_PLLICPR	Read/Write	0x0000_0000
0x0084–0x00E0	Reserved	–	–	–
0x00E4	Write Protection Mode Register	PMC_WPMR	Read/Write	0x0000_0000
0x00E8	Write Protection Status Register	PMC_WPSR	Read-only	0x0000_0000
0x00EC–0x00FC	Reserved	–	–	–
0x0100	Peripheral Clock Enable Register 1	PMC_PCER1	Write-only	–
0x0104	Peripheral Clock Disable Register 1	PMC_PCDR1	Write-only	–
0x0108	Peripheral Clock Status Register 1	PMC_PCSR1	Read-only	0x0000_0000

Table 26-3: Register Mapping (Continued)

Offset	Register	Name	Access	Reset
0x010C	Peripheral Control Register	PMC_PCR	Read/Write	0x0000_0000
0x0110	Oscillator Calibration Register	PMC_OCR	Read/Write	0x0040_4040

SAMA5D3 SERIES

26.17.1 PMC System Clock Enable Register

Name: PMC_SCER

Address: 0xFFFFFC00

Access: Write-only

31	30	29	28	27	26	25	24
–	–	–	–	–	–	–	–
23	22	21	20	19	18	17	16
–	–	–	–	–	–	–	–
15	14	13	12	11	10	9	8
–	–	–	–	–	PCK2	PCK1	PCK0
7	6	5	4	3	2	1	0
UDP	UHP	–	SMDCK	LCDCK	DDRCK	–	–

This register can only be written if the WPEN bit is cleared in the [PMC Write Protection Mode Register](#).

DDRCK: DDR Clock Enable

0: No effect.

1: Enables the DDR clock.

LCDCK: MCK2x Clock Enable

0: No effect.

1: Enables the MCK2x clock.

Note: MCK2x is selected as LCD Pixel source clock if LCDC_LCDCFG0.CLKSEL = 1.

SMDCK: SMD Clock Enable

0: No effect.

1: Enables the soft modem clock.

UHP: USB Host OHCI Clocks Enable

0: No effect.

1: Enables the UHP48M and UHP12M OHCI clocks.

UDP: USB Device Clock Enable

0: No effect.

1: Enables the USB Device clock.

PCKx: Programmable Clock x Output Enable

0: No effect.

1: Enables the corresponding Programmable Clock output.

26.17.2 PMC System Clock Disable Register

Name:PMC_SCDR

Address:0xFFFFFC04

Access:Write-only

31	30	29	28	27	26	25	24
–	–	–	–	–	–	–	–
23	22	21	20	19	18	17	16
–	–	–	–	–	–	–	–
15	14	13	12	11	10	9	8
–	–	–	–	–	PCK2	PCK1	PCK0
7	6	5	4	3	2	1	0
UDP	UHP	–	SMDCK	LCDCK	DDRCK	–	PCK

This register can only be written if the WPEN bit is cleared in the [PMC Write Protection Mode Register](#).

PCK: Processor Clock Disable

0: No effect.

1: Disables the Processor clock. This is used to enter the processor in Idle mode.

DDRCK: DDR Clock Disable

0: No effect.

1: Disables the DDR clock.

LCDCK: MCK2x Clock Disable

0: No effect.

1: Disables the MCK2x clock.

SMDCK: SMD Clock Disable

0: No effect.

1: Disables the soft modem clock.

UHP: USB Host OHCI Clock Disable

0: No effect.

1: Disables the UHP48M and UHP12M OHCI clocks.

UDP: USB Device Clock Enable

0: No effect.

1: Disables the USB Device clock.

PCKx: Programmable Clock x Output Disable

0: No effect.

1: Disables the corresponding Programmable Clock output.

SAMA5D3 SERIES

26.17.3 PMC System Clock Status Register

Name: PMC_SCSR

Address: 0xFFFFFC08

Access: Read-only

31	30	29	28	27	26	25	24
–	–	–	–	–	–	–	–
23	22	21	20	19	18	17	16
–	–	–	–	–	–	–	–
15	14	13	12	11	10	9	8
–	–	–	–	–	PCK2	PCK1	PCK0
7	6	5	4	3	2	1	0
UDP	UHP	–	SMDCK	LCDCK	DDRCK	–	PCK

PCK: Processor Clock Status

0: The Processor clock is disabled.

1: The Processor clock is enabled.

DDRCK: DDR Clock Status

0: The DDR clock is disabled.

1: The DDR clock is enabled.

LCDCK: MCK2x Clock Status

0: The MCK2x clock is disabled.

1: The MCK2x clock is enabled.

Note: MCK2x is selected as LCD Pixel source clock if LCDC_LCDCFG0.CLKSEL = 1.

SMDCK: SMD Clock Status

0: The soft modem clock is disabled.

1: The soft modem clock is enabled.

UHP: USB Host Port Clock Status

0: The UHP48M and UHP12M OHCI clocks are disabled.

1: The UHP48M and UHP12M OHCI clocks are enabled.

UDP: USB Device Port Clock Status

0: The USB Device clock is disabled.

1: The USB Device clock is enabled.

PCKx: Programmable Clock x Output Status

0: The corresponding Programmable Clock output is disabled.

1: The corresponding Programmable Clock output is enabled.

26.17.4 PMC Peripheral Clock Enable Register 0

Name: PMC_PCER0

Address: 0xFFFFFC10

Access: Write-only

31	30	29	28	27	26	25	24
PID31	PID30	PID29	PID28	PID27	PID26	PID25	PID24
23	22	21	20	19	18	17	16
PID23	PID22	PID21	PID20	PID19	PID18	PID17	PID16
15	14	13	12	11	10	9	8
PID15	PID14	PID13	PID12	PID11	PID10	PID9	PID8
7	6	5	4	3	2	1	0
PID7	PID6	PID5	PID4	PID3	PID2	–	–

This register can only be written if the WPEN bit is cleared in the [PMC Write Protection Mode Register](#).

PIDx: Peripheral Clock x Enable

0: No effect.

1: Enables the corresponding peripheral clock.

Note: PID2 to PID31 refer to identifiers as defined in [Section 8.2 Peripheral Identifiers](#). Other peripherals can be enabled in PMC_PCER1.

Note: Programming the control bits of the Peripheral ID that are not implemented has no effect on the behavior of the PMC.

SAMA5D3 SERIES

26.17.5 PMC Peripheral Clock Disable Register 0

Name:PMC_PCDR0

Address:0xFFFFFC14

Access:Write-only

31	30	29	28	27	26	25	24
PID31	PID30	PID29	PID28	PID27	PID26	PID25	PID24
23	22	21	20	19	18	17	16
PID23	PID22	PID21	PID20	PID19	PID18	PID17	PID16
15	14	13	12	11	10	9	8
PID15	PID14	PID13	PID12	PID11	PID10	PID9	PID8
7	6	5	4	3	2	1	0
PID7	PID6	PID5	PID4	PID3	PID2	–	–

This register can only be written if the WPEN bit is cleared in the [PMC Write Protection Mode Register](#).

PIDx: Peripheral Clock x Disable

0: No effect.

1: Disables the corresponding peripheral clock.

Note: PID2 to PID31 refer to identifiers as defined in [Section 8.2 Peripheral Identifiers](#). Other peripherals can be disabled in PMC_PCDR1.

26.17.6 PMC Peripheral Clock Status Register 0

Name:PMC_PCSR0

Address:0xFFFFFC18

Access:Read-only

31	30	29	28	27	26	25	24
PID31	PID30	PID29	PID28	PID27	PID26	PID25	PID24
23	22	21	20	19	18	17	16
PID23	PID22	PID21	PID20	PID19	PID18	PID17	PID16
15	14	13	12	11	10	9	8
PID15	PID14	PID13	PID12	PID11	PID10	PID9	PID8
7	6	5	4	3	2	1	0
PID7	PID6	PID5	PID4	PID3	PID2	–	–

PIDx: Peripheral Clock x Status

0: The corresponding peripheral clock is disabled.

1: The corresponding peripheral clock is enabled.

Note: PID2 to PID31 refer to identifiers as defined in [Section 8.2 Peripheral Identifiers](#). Other peripherals status can be read in PMC_PCSR1.

SAMA5D3 SERIES

26.17.7 PMC UTMI Clock Configuration Register

Name:CKGR_UCKR

Address:0xFFFFFC1C

Access:Read/Write

31	30	29	28	27	26	25	24
BIASCOUNT				–	–	–	BIASEN
23	22	21	20	19	18	17	16
UPLLCOUNT				–	–	–	UPLLEN
15	14	13	12	11	10	9	8
–	–	–	–	–	–	–	–
7	6	5	4	3	2	1	0
–	–	–	–	–	–	–	–

UPLLEN: UTMI PLL Enable

0: The UTMI PLL is disabled.

1: The UTMI PLL is enabled.

When UPLLEN is set, the LOCKU flag is set once the UTMI PLL startup time is achieved.

UPLLCOUNT: UTMI PLL Start-up Time

Specifies the number of slow clock cycles multiplied by 8 for the UTMI PLL start-up time.

BIASEN: UTMI BIAS Enable

0: The UTMI BIAS is disabled.

1: The UTMI BIAS is enabled.

BIASCOUNT: UTMI BIAS Start-up Time

Specifies the number of slow clock cycles for the UTMI BIAS startup time.

26.17.8 PMC Clock Generator Main Oscillator Register

Name:CKGR_MOR

Address:0xFFFFFC20

Access:Read/Write

31	30	29	28	27	26	25	24
–	–	–	–	–	–	CFDEN	MOSCSEL
23	22	21	20	19	18	17	16
KEY							
15	14	13	12	11	10	9	8
MOSCXTST							
7	6	5	4	3	2	1	0
–	0			MOSCRcen	–	MOSCXTBY	MOSCXTEN

This register can only be written if the WCKGR_MOR_ONEPEN bit is cleared in the [PMC Write Protection Mode Register](#).

Warning: Bits 6:4 must always be configured to 0 when programming CKGR_MOR.

MOSCXTEN: 8 to 48 MHz Crystal Oscillator Enable

A crystal must be connected between XIN and XOUT.

0: The 8 to 48 MHz crystal oscillator is disabled.

1: The 8 to 48 MHz crystal oscillator is enabled. MOSCXTBY must be cleared.

When MOSCXTEN is set, the MOSCXTS flag is set once the crystal oscillator startup time is achieved.

MOSCXTBY: 8 to 48 MHz Crystal Oscillator Bypass

0: No effect.

1: The 8 to 48 MHz crystal oscillator is bypassed. MOSCXTEN must be cleared. An external clock must be connected on XIN.

When MOSCXTBY is set, the MOSCXTS flag in PMC_SR is automatically set.

Clearing MOSCXTEN and MOSCXTBY bits allows resetting the MOSCXTS flag.

Note: When Main Oscillator Bypass is disabled (MOSCXTBY = 0), the MOSCXTS flag must be read as 0 in PMC_SR prior to enabling the main crystal oscillator (MOSCXTEN = 1).

MOSCRcen: 12 MHz RC Oscillator Enable

0: The 12 MHz RC oscillator is disabled.

1: The 12 MHz RC oscillator is enabled.

When MOSCRcen is set, the MOSCRCS flag is set once the RC oscillator startup time is achieved.

MOSCXTST: 8 to 48 MHz Crystal Oscillator Startup Time

Specifies the number of slow clock cycles multiplied by 8 for the crystal oscillator start-up time.

KEY: Password

Value	Name	Description
0x37	PASSWD	Writing any other value in this field aborts the write operation.

MOSCSEL: Main Clock Oscillator Selection

0: The 12 MHz oscillator is selected.

1: The 8 to 48 MHz crystal oscillator is selected.

SAMA5D3 SERIES

CFDEN: Clock Failure Detector Enable

0: The clock failure detector is disabled.

1: The clock failure detector is enabled.

Note 1: The 32 kHz (typical) RC oscillator is automatically enabled when CFDEN = 1.

2: Refer to [Section 26.13 Main Clock Failure Detector](#) for CFDEN initialization.

26.17.9 PMC Clock Generator Main Clock Frequency Register

Name:CKGR_MCFR

Address:0xFFFFFC24

Access:Read/Write

31	30	29	28	27	26	25	24
–	–	–	–	–	–	–	–
23	22	21	20	19	18	17	16
–	–	–	RCMEAS	–	–	–	MAINFRDY
15	14	13	12	11	10	9	8
MAINF							
7	6	5	4	3	2	1	0
MAINF							

This register can only be written if the WPEN bit is cleared in the [PMC Write Protection Mode Register](#).

MAINF: Main Clock Frequency

Gives the number of main clock cycles within 16 slow clock periods. To calculate the frequency of the measured clock:

$$f_{\text{MAINCK}} = (\text{MAINF} \times f_{\text{SLCK}}) / 16$$

where frequency is in MHz.

MAINFRDY: Main Clock Frequency Measure Ready

0: MAINF value is not valid or the measured oscillator is disabled or a measure has just been started by means of RCMEAS.

1: The measured oscillator has been enabled previously and MAINF value is available.

Note: To ensure that a correct value is read on the MAINF field, the MAINFRDY flag must be read at 1 then another read access must be performed on the register to get a stable value on the MAINF field.

RCMEAS: RC Oscillator Frequency Measure (write-only)

0: No effect.

1: Restarts measuring of the frequency of the main clock source. MAINF will carry the new frequency as soon as a low to high transition occurs on the MAINFRDY flag.

The measure is performed on the main frequency (i.e., not limited to RC oscillator only), but if the main clock frequency source is the 8 to 48 MHz crystal oscillator, the restart of measuring is not needed because of the well known stability of crystal oscillators.

SAMA5D3 SERIES

26.17.10 PMC Clock Generator PLLA Register

Name: CKGR_PLLAR

Address: 0xFFFFFC28

Access: Read/Write

31	30	29	28	27	26	25	24
–	–	ONE	–	–	–	–	MULA
23	22	21	20	19	18	17	16
MULA						OUTA	
15	14	13	12	11	10	9	8
OUTA		PLLACOUNT					
7	6	5	4	3	2	1	0
DIVA							

This register can only be written if the WPEN bit is cleared in the [PMC Write Protection Mode Register](#).

Possible limitations on PLL input frequencies and multiplier factors should be checked before using the PMC.

DIVA: Divider A

Value	Name	Description
0	0	Divider output is 0
1	BYPASS	Divider is bypassed
2–255	–	Divider output is the selected clock divided by DIVA.

PLLACOUNT: PLLA Counter

Specifies the number of slow clock cycles before the LOCKA bit is set in PMC_SR after CKGR_PLLAR is written.

OUTA: PLLA Clock Frequency Range

To be programmed to 0.

MULA: PLLA Multiplier

0: The PLLA is deactivated.

1–127: The PLLA Clock frequency is the PLLA input frequency multiplied by MULA + 1.

ONE: Must Be Set to 1

Bit 29 must always be set to 1 when programming CKGR_PLLAR.

26.17.11 PMC Master Clock Register

Name: PMC_MCKR

Address: 0xFFFFFC30

Access: Read/Write

31	30	29	28	27	26	25	24
–	–	–	–	–	–	–	–
23	22	21	20	19	18	17	16
–	–	–	–	–	–	–	–
15	14	13	12	11	10	9	8
–	–	–	PLLADIV2	–	–	MDIV	
7	6	5	4	3	2	1	0
–	PRES			–	–	CSS	

This register can only be written if the WPEN bit is cleared in the [PMC Write Protection Mode Register](#).

CSS: Master/Processor Clock Source Selection

Value	Name	Description
0	SLOW_CLK	Slow clock is selected
1	MAIN_CLK	Main clock is selected
2	PLLA_CLK	PLLACK/2 is selected if PLLADIV2 = 1 PLLACK is selected if PLLADIV2 = 0
3	UPLL_CLK	UPLL Clock is selected

PRES: Master/Processor Clock Prescaler

Value	Name	Description
0	CLOCK	Selected clock
1	CLOCK_DIV2	Selected clock divided by 2
2	CLOCK_DIV4	Selected clock divided by 4
3	CLOCK_DIV8	Selected clock divided by 8
4	CLOCK_DIV16	Selected clock divided by 16
5	CLOCK_DIV32	Selected clock divided by 32
6	CLOCK_DIV64	Selected clock divided by 64
7	–	Reserved

MDIV: Master Clock Division

Value	Name	Description
0	EQ_PCK	Master Clock is Prescaler Output Clock divided by 1. Warning: DDRCK is not available.
1	PCK_DIV2	Master Clock is Prescaler Output Clock divided by 2. DDRCK is equal to MCK.
2	PCK_DIV4	Master Clock is Prescaler Output Clock divided by 4. DDRCK is equal to MCK.
3	PCK_DIV3	Master Clock is Prescaler Output Clock divided by 3. DDRCK is equal to MCK.

SAMA5D3 SERIES

PLLADIV2: PLLA Divisor by 2

Bit PLLADIV2 must always be set to 1 when MDIV is set to 3.

26.17.12 PMC USB Clock Register

Name:PMC_USB

Address:0xFFFFFC38

Access:Read/Write

31	30	29	28	27	26	25	24
–	–	–	–	–	–	–	–
23	22	21	20	19	18	17	16
–	–	–	–	–	–	–	–
15	14	13	12	11	10	9	8
–	–	–	–	USBDIV			
7	6	5	4	3	2	1	0
–	–	–	–	–	–	–	USBS

This register can only be written if the WPEN bit is cleared in the [PMC Write Protection Mode Register](#).

USBS: USB OHCI Input Clock Selection

0: USB Clock Input is PLLA.

1: USB Clock Input is UPLL.

USBDIV: Divider for USB OHCI Clock

USB Clock is Input clock divided by USBDIV + 1.

SAMA5D3 SERIES

26.17.13 PMC SMD Clock Register

Name: PMC_SMD

Address: 0xFFFFFC3C

Access: Read/Write

31	30	29	28	27	26	25	24	
–	–	–	–	–	–	–	–	
23	22	21	20	19	18	17	16	
–	–	–	–	–	–	–	–	
15	14	13	12	11	10	9	8	
–	–	–	SMDDIV					–
7	6	5	4	3	2	1	0	
–	–	–	–	–	–	–	SMDS	

SMDS: SMD Input Clock Selection

0: SMD clock input is PLLA.

1: SMD clock input is UPLL.

SMDDIV: Divider for SMD Clock

SMD clock is input clock divided by SMD + 1.

26.17.14 PMC Programmable Clock Register

Name: PMC_PCKx[x = 0..2]

Address: 0xFFFFFC40

Access: Read/Write

31	30	29	28	27	26	25	24
–	–	–	–	–	–	–	–
23	22	21	20	19	18	17	16
–	–	–	–	–	–	–	–
15	14	13	12	11	10	9	8
–	–	–	–	–	–	–	–
7	6	5	4	3	2	1	0
–	PRES			–	CSS		

This register can only be written if the WPEN bit is cleared in the [PMC Write Protection Mode Register](#).

CSS: Master Clock Source Selection

Value	Name	Description
0	SLOW_CLK	Slow clock is selected
1	MAIN_CLK	Main clock is selected
2	PLLA_CLK	PLLACK is selected
3	UPLL_CLK	UPLL Clock is selected
4	MCK_CLK	Master Clock is selected

PRES: Programmable Clock Prescaler

Value	Name	Description
0	CLOCK	Selected clock
1	CLOCK_DIV2	Selected clock divided by 2
2	CLOCK_DIV4	Selected clock divided by 4
3	CLOCK_DIV8	Selected clock divided by 8
4	CLOCK_DIV16	Selected clock divided by 16
5	CLOCK_DIV32	Selected clock divided by 32
6	CLOCK_DIV64	Selected clock divided by 64
7	–	Reserved

SAMA5D3 SERIES

26.17.15 PMC Interrupt Enable Register

Name:PMC_IER

Address:0xFFFFFC60

Access:Write-only

31	30	29	28	27	26	25	24
–	–	–	–	–	–	–	–
23	22	21	20	19	18	17	16
–	–	–	–	–	CFDEV	MOSCRCS	MOSCSELS
15	14	13	12	11	10	9	8
–	–	–	–	–	PCKRDY2	PCKRDY1	PCKRDY0
7	6	5	4	3	2	1	0
–	LOCKU	–	–	MCKRDY	–	LOCKA	MOSCXTS

The following configuration values are valid for all listed bit names of this register:

0: No effect

1: Enables the corresponding interrupt

MOSCXTS: 8 to 48 MHz Crystal Oscillator Status Interrupt Enable

LOCKA: PLLA Lock Interrupt Enable

MCKRDY: Master Clock Ready Interrupt Enable

LOCKU: UTMI PLL Lock Interrupt Enable

PCKRDYx: Programmable Clock Ready x Interrupt Enable

MOSCSELS: Main Clock Source Oscillator Selection Status Interrupt Enable

MOSCRCS: 12 MHz RC Oscillator Status Interrupt Enable

CFDEV: Clock Failure Detector Event Interrupt Enable

26.17.16 PMC Interrupt Disable Register

Name:PMC_IDR

Address:0xFFFFFC64

Access:Write-only

31	30	29	28	27	26	25	24
–	–	–	–	–	–	–	–
23	22	21	20	19	18	17	16
–	–	–	–	–	CFDEV	MOSCRCS	MOSCSELS
15	14	13	12	11	10	9	8
–	–	–	–	–	PCKRDY2	PCKRDY1	PCKRDY0
7	6	5	4	3	2	1	0
–	LOCKU	–	–	MCKRDY	–	LOCKA	MOSCXTS

The following configuration values are valid for all listed bit names of this register:

0: No effect

1: Disables the corresponding interrupt

MOSCXTS: 8 to 48 MHz Crystal Oscillator Status Interrupt Disable

LOCKA: PLLA Lock Interrupt Disable

MCKRDY: Master Clock Ready Interrupt Disable

LOCKU: UTMI PLL Lock Interrupt Enable

PCKRDYx: Programmable Clock Ready x Interrupt Disable

MOSCSELS: Main Oscillator Clock Source Selection Status Interrupt Disable

MOSCRCS: 12 MHz RC Oscillator Status Interrupt Disable

CFDEV: Clock Failure Detector Event Interrupt Disable

SAMA5D3 SERIES

26.17.17 PMC Status Register

Name:PMC_SR

Address:0xFFFFFC68

Access:Read-only

31	30	29	28	27	26	25	24
–	–	–	–	–	–	–	–
23	22	21	20	19	18	17	16
–	–	–	FOS	CFDS	CFDEV	MOSCRCS	MOSCSELS
15	14	13	12	11	10	9	8
–	–	–	–	–	PCKRDY2	PCKRDY1	PCKRDY0
7	6	5	4	3	2	1	0
OSCSELS	LOCKU	–	–	MCKRDY	–	LOCKA	MOSCXTS

MOSCXTS: 8 to 48 MHz Crystal Oscillator Status

0: 8 to 48 MHz crystal oscillator is not stabilized.

1: 8 to 48 MHz crystal oscillator is stabilized.

LOCKA: PLLA Lock Status

0: PLLA is not locked.

1: PLLA is locked.

MCKRDY: Master Clock Status

0: Master Clock is not ready.

1: Master Clock is ready.

LOCKU: UPLL Clock Status

0: UPLL Clock is not ready.

1: UPLL Clock is ready.

OSCSELS: Slow Clock Oscillator Selection

0: Embedded 32 kHz RC oscillator is selected.

1: 32.768 kHz crystal oscillator is selected.

PCKRDYx: Programmable Clock Ready Status

0: Programmable Clock x is not ready.

1: Programmable Clock x is ready.

MOSCSELS: Main Oscillator Selection Status

0: Selection is in progress.

1: Selection is done.

MOSCRCS: 12 MHz RC Oscillator Status

0: 12 MHz RC oscillator is not stabilized.

1: 12 MHz RC oscillator is stabilized.

CFDEV: Clock Failure Detector Event

0: No clock failure detection of the 8 to 48 MHz crystal oscillator has occurred since the last read of PMC_SR.

1: At least one clock failure detection of the 8 to 48 MHz crystal oscillator has occurred since the last read of PMC_SR.

CFDS: Clock Failure Detector Status

0: A clock failure of the 8 to 48 MHz crystal oscillator is not detected.

1: A clock failure of the 8 to 48 MHz crystal oscillator is detected.

FOS: Clock Failure Detector Fault Output Status

0: The fault output of the clock failure detector is inactive.

1: The fault output of the clock failure detector is active.

SAMA5D3 SERIES

26.17.18 PMC Interrupt Mask Register

Name:PMC_IMR

Address:0xFFFFFC6C

Access:Read-only

31	30	29	28	27	26	25	24
–	–	–	–	–	–	–	–
23	22	21	20	19	18	17	16
–	–	–	–	–	CFDEV	MOSCRCS	MOSCSELS
15	14	13	12	11	10	9	8
–	–	–	–	–	PCKRDY2	PCKRDY1	PCKRDY0
7	6	5	4	3	2	1	0
–	–	–	–	MCKRDY	–	LOCKA	MOSCXTS

The following configuration values are valid for all listed bit names of this register:

0: Corresponding interrupt is not enabled.

1: Corresponding interrupt is enabled.

MOSCXTS: 8 to 48 MHz Crystal Oscillator Status Interrupt Mask

LOCKA: PLLA Lock Interrupt Mask

MCKRDY: Master Clock Ready Interrupt Mask

PCKRDYx: Programmable Clock Ready x Interrupt Mask

MOSCSELS: Main Oscillator Clock Source Selection Status Interrupt Mask

MOSCRCS: 12 MHz RC Oscillator Status Interrupt Mask

CFDEV: Clock Failure Detector Event Interrupt Mask

26.17.19 PMC Fault Output Clear Register

Name:PMC_FOCR

Address:0xFFFFFC78

Access:Write-only

31	30	29	28	27	26	25	24
–	–	–	–	–	–	–	–
23	22	21	20	19	18	17	16
–	–	–	–	–	–	–	–
15	14	13	12	11	10	9	8
–	–	–	–	–	–	–	–
7	6	5	4	3	2	1	0
–	–	–	–	–	–	–	FOCLR

FOCLR: Fault Output Clear

Clears the clock failure detector fault output.

SAMA5D3 SERIES

26.17.20 PLL Charge Pump Current Register

Name:PMC_PLLICPR

Address:0xFFFFFC80

Access:Read/Write

31	30	29	28	27	26	25	24
–	–	–	–	–	–	IVCO_PLLU	
23	22	21	20	19	18	17	16
–	–	–	–	–	–	ICP_PLLU	
15	14	13	12	11	10	9	8
–	–	–	–	–	IPLL_PLLA		
7	6	5	4	3	2	1	0
–	–	–	–	–	–	ICP_PLLA	

This register can only be written if the WPEN bit is cleared in the [PMC Write Protection Mode Register](#).

ICP_PLLA: Must Be Written to Zero

IPLL_PLLA: Engineering Configuration PLLA

Should be written to 3.

ICP_PLLU: Charge Pump Current PLL UTMI

Should be written to 0.

IVCO_PLLU: Voltage Control Output Current PLL UTMI

Should be written to 0.

26.17.21 PMC Write Protection Mode Register

Name:PMC_WPMR

Address:0xFFFFFCE4

Access:Read/Write

31	30	29	28	27	26	25	24
WPKEY							
23	22	21	20	19	18	17	16
WPKEY							
15	14	13	12	11	10	9	8
WPKEY							
7	6	5	4	3	2	1	0
-	-	-	-	-	-	-	WPEN

WPEN: Write Protection Enable

0: Disables the write protection if WPKEY corresponds to 0x504D43 ("PMC" in ASCII).

1: Enables the write protection if WPKEY corresponds to 0x504D43 ("PMC" in ASCII).

See [Section 26.16 Register Write Protection](#) for the list of registers that can be write-protected.

WPKEY: Write Protection Key

Value	Name	Description
0x504D43	PASSWD	Writing any other value in this field aborts the write operation of the WPEN bit. Always reads as 0.

SAMA5D3 SERIES

26.17.22 PMC Write Protection Status Register

Name: PMC_WPSR

Address: 0xFFFFFCE8

Access: Read-only

31	30	29	28	27	26	25	24
–	–	–	–	–	–	–	–
23	22	21	20	19	18	17	16
WPVSRC							
15	14	13	12	11	10	9	8
WPVSRC							
7	6	5	4	3	2	1	0
–	–	–	–	–	–	–	WPVS

WPVS: Write Protection Violation Status

0: No write protection violation has occurred since the last read of PMC_WPSR.

1: A write protection violation has occurred since the last read of PMC_WPSR. If this violation is an unauthorized attempt to write a protected register, the associated violation is reported into field WPVSRC.

WPVSRC: Write Protection Violation Source

When WPVS = 1, WPVSRC indicates the register address offset at which a write access has been attempted.

26.17.23 PMC Peripheral Clock Enable Register 1

Name:PMC_PCER1

Address:0xFFFFFD00

Access:Write-only

31	30	29	28	27	26	25	24
PID63	PID62	PID61	PID60	PID59	PID58	PID57	PID56
23	22	21	20	19	18	17	16
PID55	PID54	PID53	PID52	PID51	PID50	PID49	PID48
15	14	13	12	11	10	9	8
PID47	PID46	PID45	PID44	PID43	PID42	PID41	PID40
7	6	5	4	3	2	1	0
PID39	PID38	PID37	PID36	PID35	PID34	PID33	PID32

This register can only be written if the WPEN bit is cleared in the [PMC Write Protection Mode Register](#).

PIDx: Peripheral Clock x Enable

0: No effect.

1: Enables the corresponding peripheral clock.

Note 1: PID32 to PID63 refer to identifiers as defined in [Section 8.2 Peripheral Identifiers](#).

2: Programming the control bits of the Peripheral ID that are not implemented has no effect on the behavior of the PMC.

SAMA5D3 SERIES

26.17.24 PMC Peripheral Clock Disable Register 1

Name:PMC_PCDR1

Address:0xFFFFFD04

Access:Write-only

31	30	29	28	27	26	25	24
PID63	PID62	PID61	PID60	PID59	PID58	PID57	PID56
23	22	21	20	19	18	17	16
PID55	PID54	PID53	PID52	PID51	PID50	PID49	PID48
15	14	13	12	11	10	9	8
PID47	PID46	PID45	PID44	PID43	PID42	PID41	PID40
7	6	5	4	3	2	1	0
PID39	PID38	PID37	PID36	PID35	PID34	PID33	PID32

This register can only be written if the WPEN bit is cleared in the [PMC Write Protection Mode Register](#).

PIDx: Peripheral Clock x Disable

0: No effect.

1: Disables the corresponding peripheral clock.

Note: PID32 to PID63 refer to identifiers as defined in [Section 8.2 Peripheral Identifiers](#).

26.17.25 PMC Peripheral Clock Status Register 1

Name:PMC_PCSR1

Address:0xFFFFFD08

Access:Read-only

31	30	29	28	27	26	25	24
PID63	PID62	PID61	PID60	PID59	PID58	PID57	PID56
23	22	21	20	19	18	17	16
PID55	PID54	PID53	PID52	PID51	PID50	PID49	PID48
15	14	13	12	11	10	9	8
PID47	PID46	PID45	PID44	PID43	PID42	PID41	PID40
7	6	5	4	3	2	1	0
PID39	PID38	PID37	PID36	PID35	PID34	PID33	PID32

PIDx: Peripheral Clock x Status

0: The corresponding peripheral clock is disabled.

1: The corresponding peripheral clock is enabled.

Note: PID32 to PID63 refer to identifiers as defined in [Section 8.2 Peripheral Identifiers](#).

SAMA5D3 SERIES

26.17.26 PMC Peripheral Control Register

Name: PMC_PCR

Address: 0xFFFFFD0C

Access: Read/Write

31	30	29	28	27	26	25	24
–	–	–	EN	–	–	–	–
23	22	21	20	19	18	17	16
–	–	–	–	–	–	DIV	
15	14	13	12	11	10	9	8
–	–	–	CMD	–	–	–	–
7	6	5	4	3	2	1	0
–	PID						

PID: Peripheral ID

Peripheral ID selection from PID2 to the maximum PID number. This refers to identifiers as defined in the section “Peripheral Identifiers”.

Only the following peripherals can have a DIV value greater than 0: ADC, SSCx, CANx, USARTx, UARTx, TWIx, SPIx, and TCx.

CMD: Command

0: Read mode

1: Write mode

DIV: Divisor Value

Only the following peripherals can be configured with divided clock (DIV > 0): ADC, SSCx, CANx, USARTx, UARTx, TWIx, SPIx, and TCx.

Among the PIDs supporting the divided clock, some require a DIV value configuration matching the maximum peripheral frequency. Refer to [Section 54.3.4 Power Consumption versus Modes](#) in [Section 54. Electrical Characteristics](#).

Value	Name	Description
0	PERIPH_DIV_MCK	Peripheral clock is MCK
1	PERIPH_DIV2_MCK	Peripheral clock is MCK/2
2	PERIPH_DIV4_MCK	Peripheral clock is MCK/4
3	PERIPH_DIV8_MCK	Peripheral clock is MCK/8

DIV must not be changed while peripheral is in use or when the peripheral clock is enabled.

EN: Enable

0: The selected peripheral clock is disabled.

1: The selected peripheral clock is enabled.

26.17.27 PMC Oscillator Calibration Register

Name:PMC_OCR

Address:0xFFFFFD10

Access:Read/Write

31	30	29	28	27	26	25	24
–	–	–	–	–	–	–	–
23	22	21	20	19	18	17	16
–	–	–	–	–	–	–	–
15	14	13	12	11	10	9	8
–	–	–	–	–	–	–	–
7	6	5	4	3	2	1	0
SEL	CAL						

This register can only be written if the WPEN bit is cleared in the [PMC Write Protection Mode Register](#).

CAL: 12 MHz RC Oscillator Calibration Bits

Calibration bits applied to the RC oscillator when SEL is set.

SEL: Selection of RC Oscillator Calibration Bits

0: Factory determined value.

1: Value written by user in CAL field of this register.

27. Parallel Input/Output Controller (PIO)

27.1 Description

The Parallel Input/Output Controller (PIO) manages up to 32 fully programmable input/output lines. Each I/O line may be dedicated as a general-purpose I/O or be assigned to a function of an embedded peripheral. This ensures effective optimization of the pins of the product.

Each I/O line is associated with a bit number in all of the 32-bit registers of the 32-bit wide user interface.

Each I/O line of the PIO Controller features:

- An input change interrupt enabling level change detection on any I/O line.
- Additional Interrupt modes enabling rising edge, falling edge, low-level or high-level detection on any I/O line.
- A glitch filter providing rejection of glitches lower than one-half of peripheral clock cycle.
- A debouncing filter providing rejection of unwanted pulses from key or push button operations.
- Multi-drive capability similar to an open drain I/O line.
- Control of the pull-up and pull-down of the I/O line.
- Input visibility and output control.

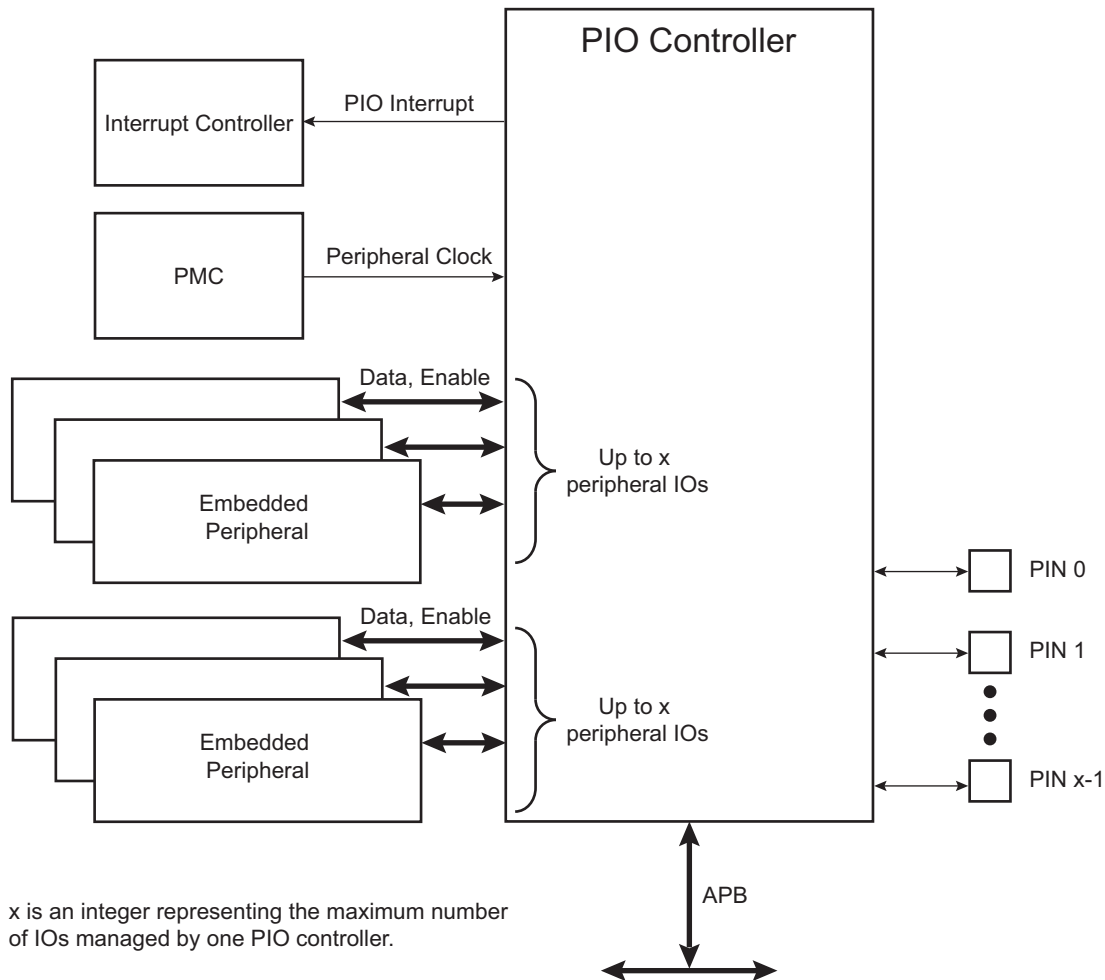
The PIO Controller also features a synchronous output providing up to 32 bits of data output in a single write operation.

27.2 Embedded Characteristics

- Up to 32 Programmable I/O Lines
- Fully Programmable through Set/Clear Registers
- Multiplexing of Four Peripheral Functions per I/O Line
- For each I/O Line (Whether Assigned to a Peripheral or Used as General Purpose I/O)
 - Input Change Interrupt
 - Programmable Glitch Filter
 - Programmable Debouncing Filter
 - Multi-drive Option Enables Driving in Open Drain
 - Programmable Pull-Up on Each I/O Line
 - Pin Data Status Register, Supplies Visibility of the Level on the Pin at Any Time
 - Additional Interrupt Modes on a Programmable Event: Rising Edge, Falling Edge, Low-Level or High-Level
 - Lock of the Configuration by the Connected Peripheral
- Synchronous Output, Provides Set and Clear of Several I/O Lines in a Single Write
- Register Write Protection
- Programmable Schmitt Trigger Inputs
- Programmable I/O Drive

27.3 Block Diagram

Figure 27-1: Block Diagram



27.4 Product Dependencies

27.4.1 Pin Multiplexing

Each pin is configurable, depending on the product, as either a general-purpose I/O line only, or as an I/O line multiplexed with one or two peripheral I/Os. As the multiplexing is hardware defined and thus product-dependent, the hardware designer and programmer must carefully determine the configuration of the PIO Controllers required by their application. When an I/O line is general-purpose only, i.e., not multiplexed with any peripheral I/O, programming of the PIO Controller regarding the assignment to a peripheral has no effect and only the PIO Controller can control how the pin is driven by the product.

27.4.2 External Interrupt Lines

The interrupt signals FIQ and IRQ0 to IRQn are generally multiplexed through the PIO Controllers. However, it is not necessary to assign the I/O line to the interrupt function as the PIO Controller has no effect on inputs and the external interrupt lines are used only as inputs.

27.4.3 Power Management

The Power Management Controller controls the peripheral clock in order to save power. Writing any of the registers of the user interface does not require the peripheral clock to be enabled. This means that the configuration of the I/O lines does not require the peripheral clock to be enabled.

However, when the clock is disabled, not all of the features of the PIO Controller are available, including glitch filtering. Note that the input change interrupt, the interrupt modes on a programmable event and the read of the pin level require the clock to be validated.

SAMA5D3 SERIES

After a hardware reset, the peripheral clock is disabled by default.

The user must configure the Power Management Controller before any access to the input line information.

27.4.4 Interrupt Sources

For interrupt handling, the PIO Controllers are considered as user peripherals. This means that the PIO Controller interrupt lines are connected among the interrupt sources. Refer to the PIO Controller peripheral identifier in the Peripheral Identifiers table to identify the interrupt sources dedicated to the PIO Controllers. Using the PIO Controller requires the Interrupt Controller to be programmed first.

The PIO Controller interrupt can be generated only if the peripheral clock is enabled.

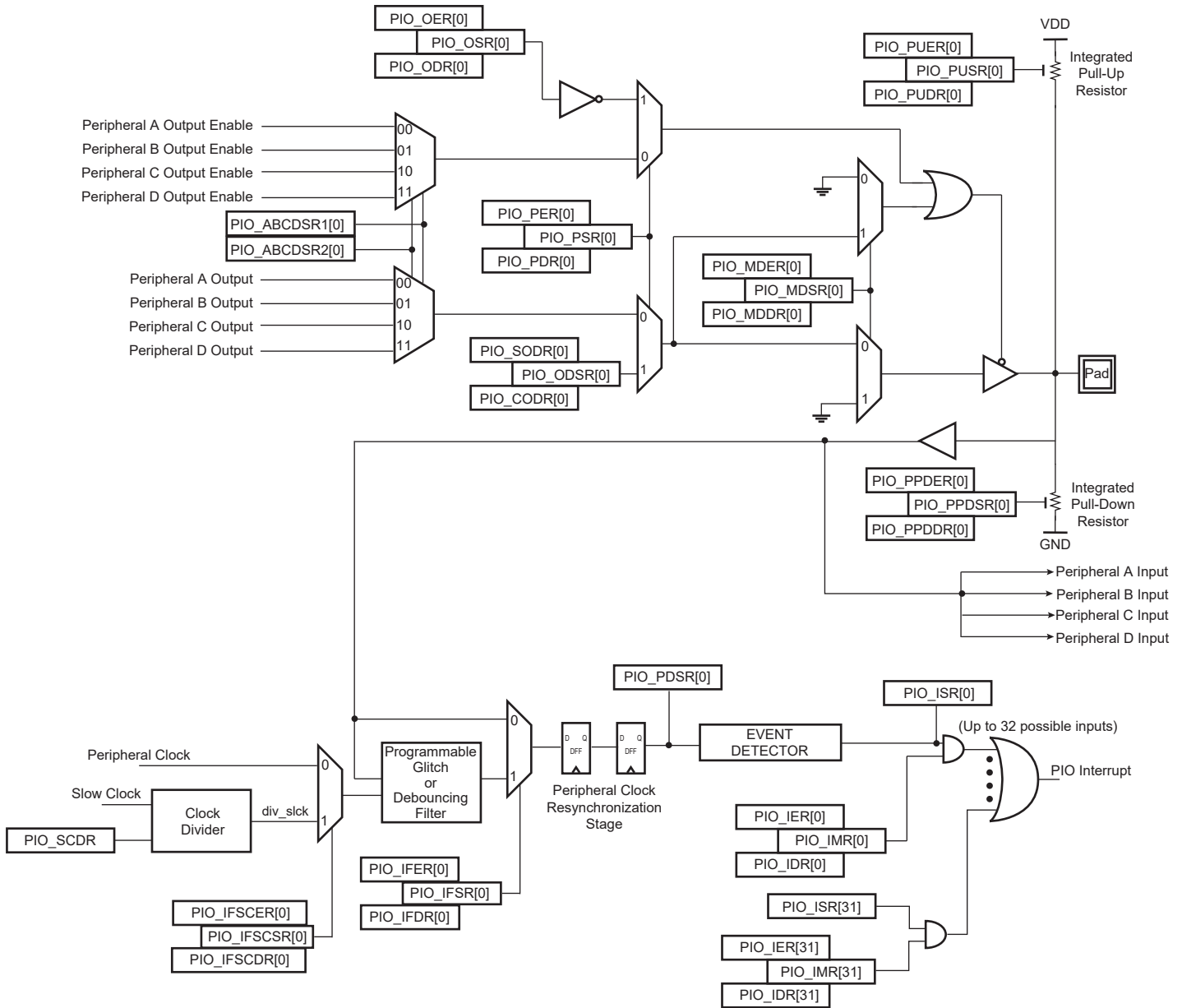
Table 27-1: Peripheral IDs

Instance	ID
PIOA	6
PIOB	7
PIOC	8
PIOD	9
PIOE	10

27.5 Functional Description

The PIO Controller features up to 32 fully-programmable I/O lines. Most of the control logic associated to each I/O is represented in [Figure 27-2](#). In this description each signal shown represents one of up to 32 possible indexes.

Figure 27-2: I/O Line Control Logic



27.5.1 Pull-up and Pull-down Resistor Control

Each I/O line is designed with an embedded pull-up resistor and an embedded pull-down resistor. The pull-up resistor can be enabled or disabled by writing to the Pull-up Enable Register (PIO_PUER) or Pull-up Disable Register (PIO_PUDR), respectively. Writing to these registers results in setting or clearing the corresponding bit in the Pull-up Status Register (PIO_PUSR). Reading a one in PIO_PUSR means the pull-up is disabled and reading a zero means the pull-up is enabled. The pull-down resistor can be enabled or disabled by writing the Pull-down Enable Register (PIO_PPDER) or the Pull-down Disable Register (PIO_PPDDR), respectively. Writing in these registers results in setting or clearing the corresponding bit in the Pull-down Status Register (PIO_PPDSR). Reading a one in PIO_PPDSR means the pull-up is disabled and reading a zero means the pull-down is enabled.

SAMA5D3 SERIES

Enabling the pull-down resistor while the pull-up resistor is still enabled is not possible. In this case, the write of `PIO_PPDER` for the relevant I/O line is discarded. Likewise, enabling the pull-up resistor while the pull-down resistor is still enabled is not possible. In this case, the write of `PIO_PUER` for the relevant I/O line is discarded.

Control of the pull-up resistor is possible regardless of the configuration of the I/O line.

After reset, depending on the I/O, pull-up or pull-down can be set.

27.5.2 I/O Line or Peripheral Function Selection

When a pin is multiplexed with one or two peripheral functions, the selection is controlled with the Enable Register (`PIO_PER`) and the Disable Register (`PIO_PDR`). The Status Register (`PIO_PSR`) is the result of the set and clear registers and indicates whether the pin is controlled by the corresponding peripheral or by the PIO Controller. A value of zero indicates that the pin is controlled by the corresponding on-chip peripheral selected in the ABCD Select registers (`PIO_ABCDSR1` and `PIO_ABCDSR2`). A value of one indicates the pin is controlled by the PIO Controller.

If a pin is used as a general-purpose I/O line (not multiplexed with an on-chip peripheral), `PIO_PER` and `PIO_PDR` have no effect and `PIO_PSR` returns a one for the corresponding bit.

After reset, the I/O lines are controlled by the PIO Controller, i.e., `PIO_PSR` resets at one. However, in some events, it is important that PIO lines are controlled by the peripheral (as in the case of memory chip select lines that must be driven inactive after reset, or for address lines that must be driven low for booting out of an external memory). Thus, the reset value of `PIO_PSR` is defined at the product level and depends on the multiplexing of the device.

27.5.3 Peripheral A or B or C or D Selection

The PIO Controller provides multiplexing of up to four peripheral functions on a single pin. The selection is performed by writing `PIO_ABCDSR1` and `PIO_ABCDSR2`.

For each pin:

- The corresponding bit at level zero in `PIO_ABCDSR1` and the corresponding bit at level zero in `PIO_ABCDSR2` means peripheral A is selected.
- The corresponding bit at level one in `PIO_ABCDSR1` and the corresponding bit at level zero in `PIO_ABCDSR2` means peripheral B is selected.
- The corresponding bit at level zero in `PIO_ABCDSR1` and the corresponding bit at level one in `PIO_ABCDSR2` means peripheral C is selected.
- The corresponding bit at level one in `PIO_ABCDSR1` and the corresponding bit at level one in `PIO_ABCDSR2` means peripheral D is selected.

Note that multiplexing of peripheral lines A, B, C and D only affects the output line. The peripheral input lines are always connected to the pin input (see [Figure 27-2](#)).

Writing in `PIO_ABCDSR1` and `PIO_ABCDSR2` manages the multiplexing regardless of the configuration of the pin. However, assignment of a pin to a peripheral function requires a write in `PIO_ABCDSR1` and `PIO_ABCDSR2` in addition to a write in `PIO_PDR`.

After reset, `PIO_ABCDSR1` and `PIO_ABCDSR2` are zero, thus indicating that all the PIO lines are configured on peripheral A. However, peripheral A generally does not drive the pin as the PIO Controller resets in I/O line mode.

If the software selects a peripheral A, B, C or D which does not exist for a pin, no alternate functions are enabled for this pin and the selection is taken into account. The PIO Controller does not carry out checks to prevent selection of a peripheral which does not exist.

27.5.4 Output Control

When the I/O line is assigned to a peripheral function, i.e., the corresponding bit in `PIO_PSR` is at zero, the drive of the I/O line is controlled by the peripheral. Peripheral A or B or C or D depending on the value in `PIO_ABCDSR1` and `PIO_ABCDSR2` determines whether the pin is driven or not.

When the I/O line is controlled by the PIO Controller, the pin can be configured to be driven. This is done by writing the Output Enable Register (`PIO_OER`) and Output Disable Register (`PIO_ODR`). The results of these write operations are detected in the Output Status Register (`PIO_OSR`). When a bit in this register is at zero, the corresponding I/O line is used as an input only. When the bit is at one, the corresponding I/O line is driven by the PIO Controller.

The level driven on an I/O line can be determined by writing in the Set Output Data Register (`PIO_SODR`) and the Clear Output Data Register (`PIO_CODR`). These write operations, respectively, set and clear the Output Data Status Register (`PIO_ODSR`), which represents the data driven on the I/O lines. Writing in `PIO_OER` and `PIO_ODR` manages `PIO_OSR` whether the pin is configured to be controlled by the PIO Controller or assigned to a peripheral function. This enables configuration of the I/O line prior to setting it to be managed by the PIO Controller.

Similarly, writing in `PIO_SODR` and `PIO_CODR` affects `PIO_ODSR`. This is important as it defines the first level driven on the I/O line.

27.5.5 Synchronous Data Output

Clearing one or more PIO line(s) and setting another one or more PIO line(s) synchronously cannot be done by using PIO_SODR and PIO_CODR. It requires two successive write operations into two different registers. To overcome this, the PIO Controller offers a direct control of PIO outputs by single write access to PIO_ODSR. Only bits unmasked by the Output Write Status Register (PIO_OWSR) are written. The mask bits in PIO_OWSR are set by writing to the Output Write Enable Register (PIO_OWER) and cleared by writing to the Output Write Disable Register (PIO_OWDR).

After reset, the synchronous data output is disabled on all the I/O lines as PIO_OWSR resets at 0x0.

27.5.6 Multi-Drive Control (Open Drain)

Each I/O can be independently programmed in open drain by using the multi-drive feature. This feature permits several drivers to be connected on the I/O line which is driven low only by each device. An external pull-up resistor (or enabling of the internal one) is generally required to ensure a high level on the line.

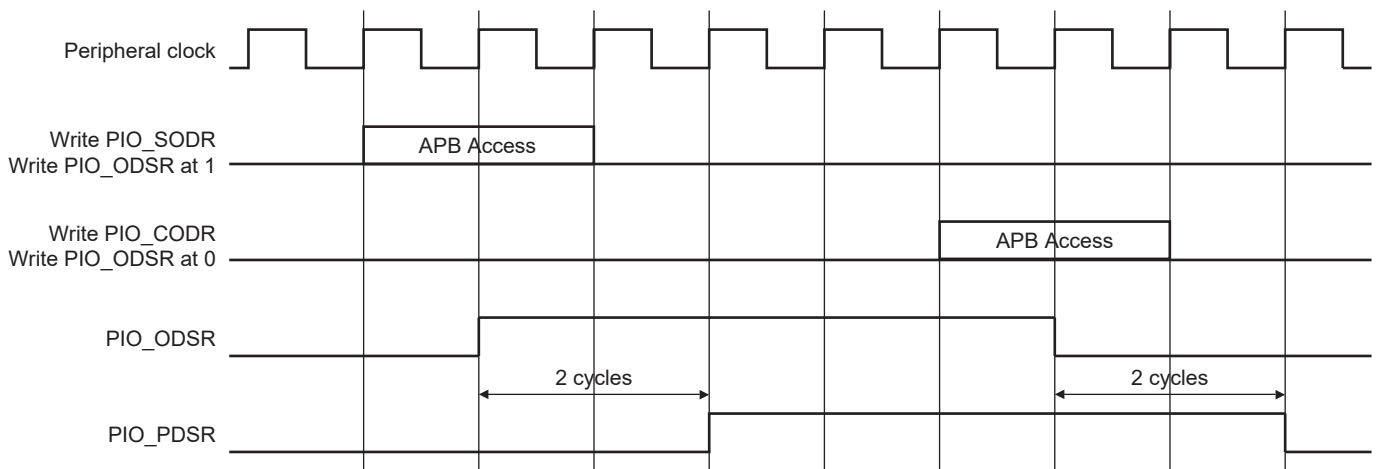
The multi-drive feature is controlled by the Multi-driver Enable Register (PIO_MDER) and the Multi-driver Disable Register (PIO_MDDR). The multi-drive can be selected whether the I/O line is controlled by the PIO Controller or assigned to a peripheral function. The Multi-driver Status Register (PIO_MDSR) indicates the pins that are configured to support external drivers.

After reset, the multi-drive feature is disabled on all pins, i.e., PIO_MDSR resets at value 0x0.

27.5.7 Output Line Timings

Figure 27-3 shows how the outputs are driven either by writing PIO_SODR or PIO_CODR, or by directly writing PIO_ODSR. This last case is valid only if the corresponding bit in PIO_OWSR is set. Figure 27-3 also shows when the feedback in the Pin Data Status Register (PIO_PDSR) is available.

Figure 27-3: Output Line Timings



27.5.8 Inputs

The level on each I/O line can be read through PIO_PDSR. This register indicates the level of the I/O lines regardless of their configuration, whether uniquely as an input, or driven by the PIO Controller, or driven by a peripheral.

Reading the I/O line levels requires the clock of the PIO Controller to be enabled, otherwise PIO_PDSR reads the levels present on the I/O line at the time the clock was disabled.

27.5.9 Input Glitch and Debouncing Filters

Optional input glitch and debouncing filters are independently programmable on each I/O line.

The glitch filter can filter a glitch with a duration of less than 1/2 peripheral clock and the debouncing filter can filter a pulse of less than 1/2 period of a programmable divided slow clock.

The selection between glitch filtering or debounce filtering is done by writing in the PIO Input Filter Slow Clock Disable Register (PIO_IFSCDR) and the PIO Input Filter Slow Clock Enable Register (PIO_IFSCER). Writing PIO_IFSCDR and PIO_IFSCER, respectively, sets and clears bits in the Input Filter Slow Clock Status Register (PIO_IFSCSR).

The current selection status can be checked by reading the PIO_IFSCSR.

SAMA5D3 SERIES

- If $\text{PIO_IFCSR}[i] = 0$: The glitch filter can filter a glitch with a duration of less than 1/2 master clock period.
- If $\text{PIO_IFCSR}[i] = 1$: The debouncing filter can filter a pulse with a duration of less than 1/2 programmable divided slow clock period.

For the debouncing filter, the period of the divided slow clock is defined by writing in the DIV field of the Slow Clock Divider Debouncing Register (PIO_SCDR):

$$t_{\text{div_slck}} = ((\text{DIV} + 1) \times 2) \times t_{\text{slck}}$$

When the glitch or debouncing filter is enabled, a glitch or pulse with a duration of less than 1/2 selected clock cycle (selected clock represents peripheral clock or divided slow clock depending on PIO_IFSCDR and PIO_IFSCER programming) is automatically rejected, while a pulse with a duration of one selected clock (peripheral clock or divided slow clock) cycle or more is accepted. For pulse durations between 1/2 selected clock cycle and one selected clock cycle, the pulse may or may not be taken into account, depending on the precise timing of its occurrence. Thus for a pulse to be visible, it must exceed one selected clock cycle, whereas for a glitch to be reliably filtered out, its duration must not exceed 1/2 selected clock cycle.

The filters also introduce some latencies, illustrated in [Figure 27-4](#) and [Figure 27-5](#).

The glitch filters are controlled by the Input Filter Enable Register (PIO_IFER), the Input Filter Disable Register (PIO_IFDR) and the Input Filter Status Register (PIO_IFSR). Writing PIO_IFER and PIO_IFDR respectively sets and clears bits in PIO_IFSR . This last register enables the glitch filter on the I/O lines.

When the glitch and/or debouncing filter is enabled, it does not modify the behavior of the inputs on the peripherals. It acts only on the value read in PIO_PDSR and on the input change interrupt detection. The glitch and debouncing filters require that the peripheral clock is enabled.

Figure 27-4: Input Glitch Filter Timing

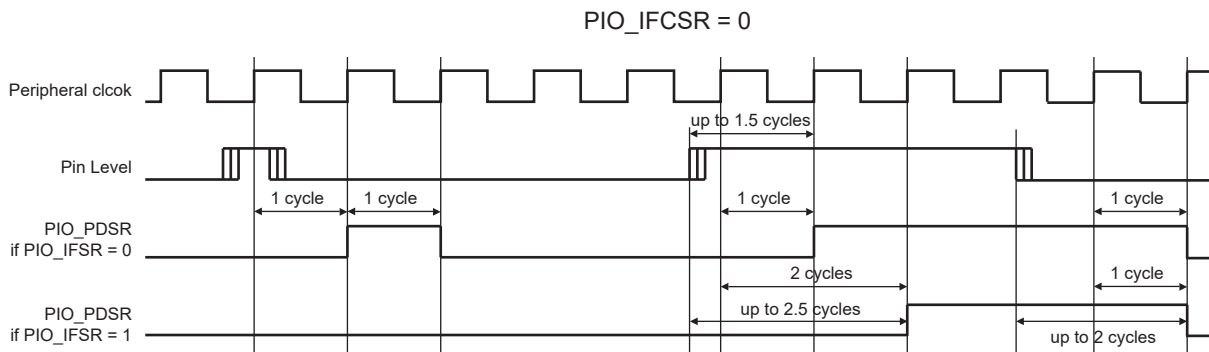
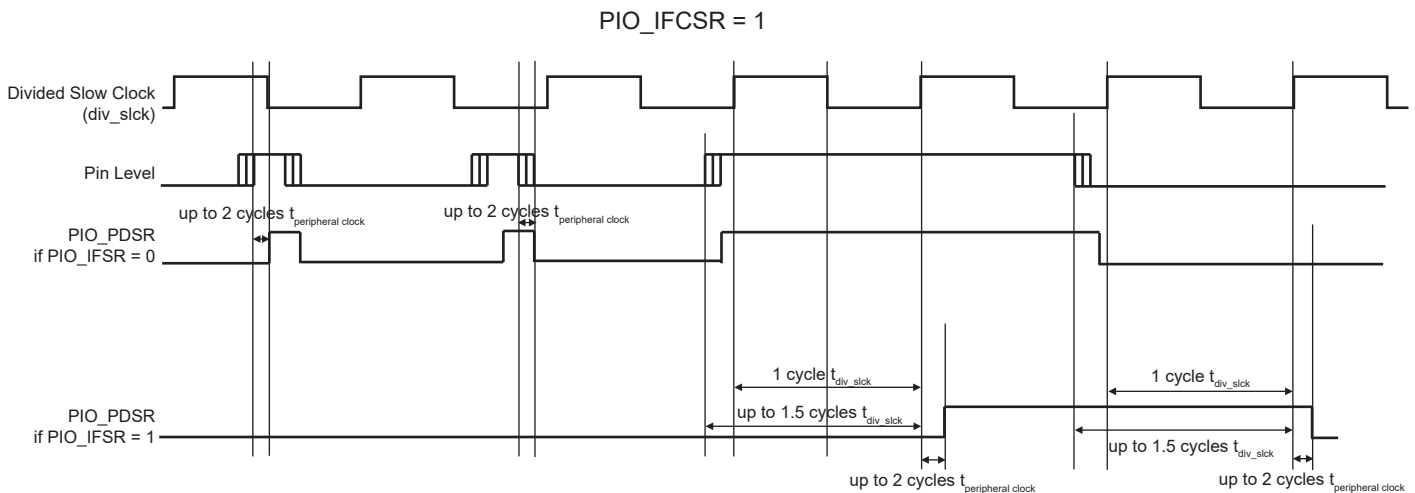


Figure 27-5: Input Debouncing Filter Timing



27.5.10 Input Edge/Level Interrupt

The PIO Controller can be programmed to generate an interrupt when it detects an edge or a level on an I/O line. The Input Edge/Level interrupt is controlled by writing the Interrupt Enable Register (PIO_IER) and the Interrupt Disable Register (PIO_IDR), which enable and disable the input change interrupt respectively by setting and clearing the corresponding bit in the Interrupt Mask Register (PIO_IMR). As input change detection is possible only by comparing two successive samplings of the input of the I/O line, the peripheral clock must be enabled. The Input Change interrupt is available regardless of the configuration of the I/O line, i.e., configured as an input only, controlled by the PIO Controller or assigned to a peripheral function.

By default, the interrupt can be generated at any time an edge is detected on the input.

Some additional interrupt modes can be enabled/disabled by writing in the Additional Interrupt Modes Enable Register (PIO_AIMER) and Additional Interrupt Modes Disable Register (PIO_AIMDR). The current state of this selection can be read through the Additional Interrupt Modes Mask Register (PIO_AIMMR).

These additional modes are:

- Rising edge detection
- Falling edge detection
- Low-level detection
- High-level detection

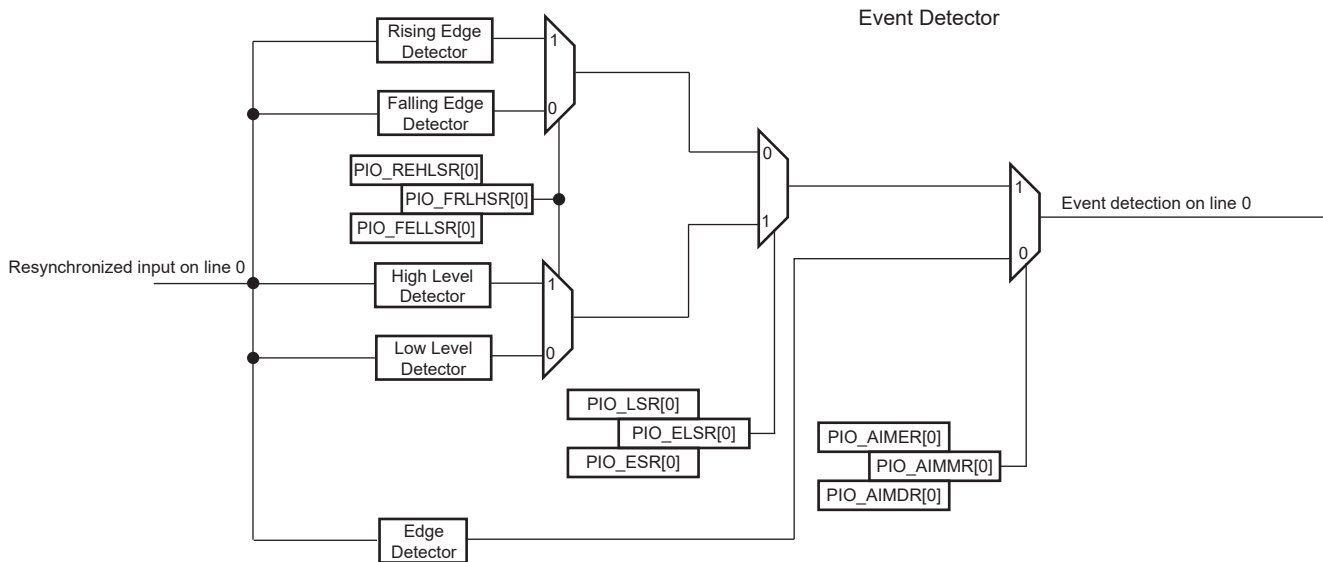
In order to select an additional interrupt mode:

- The type of event detection (edge or level) must be selected by writing in the Edge Select Register (PIO_ESR) and Level Select Register (PIO_LSR) which select, respectively, the edge and level detection. The current status of this selection is accessible through the Edge/Level Status Register (PIO_ELSR).
- The polarity of the event detection (rising/falling edge or high/low-level) must be selected by writing in the Falling Edge/Low-Level Select Register (PIO_FELLSR) and Rising Edge/High-Level Select Register (PIO_REHLSR) which allow to select falling or rising edge (if edge is selected in PIO_ELSR) edge or high- or low-level detection (if level is selected in PIO_ELSR). The current status of this selection is accessible through the Fall/Rise - Low/High Status Register (PIO_FRLHSR).

When an input edge or level is detected on an I/O line, the corresponding bit in the Interrupt Status Register (PIO_ISR) is set. If the corresponding bit in PIO_IMR is set, the PIO Controller interrupt line is asserted. The interrupt signals of the 32 channels are ORed-wired together to generate a single interrupt signal to the interrupt controller.

When the software reads PIO_ISR, all the interrupts are automatically cleared. This signifies that all the interrupts that are pending when PIO_ISR is read must be handled. When an Interrupt is enabled on a "level", the interrupt is generated as long as the interrupt source is not cleared, even if some read accesses in PIO_ISR are performed.

Figure 27-6: Event Detector on Input Lines (Figure Represents Line 0)



Example of interrupt generation on following lines:

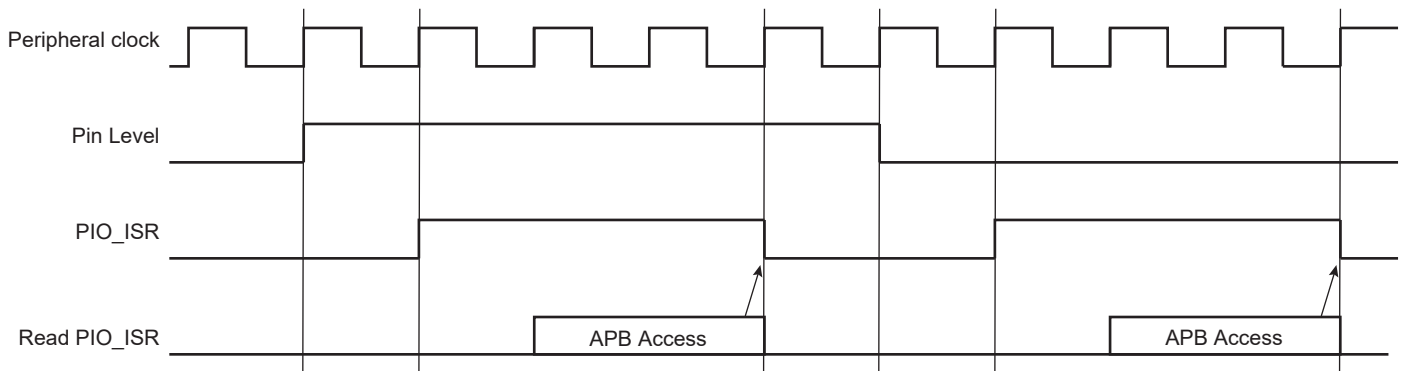
- Rising edge on PIO line 0
- Falling edge on PIO line 1
- Rising edge on PIO line 2
- Low-level on PIO line 3
- High-level on PIO line 4
- High-level on PIO line 5
- Falling edge on PIO line 6
- Rising edge on PIO line 7
- Any edge on the other lines

Table 27-2 provides the required configuration for this example.

Table 27-2: Configuration for Example Interrupt Generation

Configuration	Description
Interrupt Mode	All the interrupt sources are enabled by writing 32'hFFFF_FFFF in PIO_IER. Then the additional interrupt mode is enabled for lines 0 to 7 by writing 32'h0000_00FF in PIO_AIMER.
Edge or Level Detection	Lines 3, 4 and 5 are configured in level detection by writing 32'h0000_0038 in PIO_LSR. The other lines are configured in edge detection by default, if they have not been previously configured. Otherwise, lines 0, 1, 2, 6 and 7 must be configured in edge detection by writing 32'h0000_00C7 in PIO_ESR.
Falling/Rising Edge or Low/High-Level Detection	Lines 0, 2, 4, 5 and 7 are configured in rising edge or high-level detection by writing 32'h0000_00B5 in PIO_REHLSR. The other lines are configured in falling edge or low-level detection by default if they have not been previously configured. Otherwise, lines 1, 3 and 6 must be configured in falling edge/low-level detection by writing 32'h0000_004A in PIO_FELLSR.

Figure 27-7: Input Change Interrupt Timings When No Additional Interrupt Modes



27.5.11 I/O Lines Lock

When an I/O line is controlled by a peripheral (particularly the Pulse Width Modulation Controller PWM), it can become locked by the action of this peripheral via an input of the PIO Controller. When an I/O line is locked, the write of the corresponding bit in PIO_PER, PIO_PDR, PIO_MDER, PIO_MDDR, PIO_PUDR, PIO_PUER, PIO_ABCDSR1 and PIO_ABCDSR2 is discarded in order to lock its configuration. The user can know at anytime which I/O line is locked by reading the PIO Lock Status Register (PIO_LOCKSR). Once an I/O line is locked, the only way to unlock it is to apply a hardware reset to the PIO Controller.

27.5.12 Programmable I/O Drive

It is possible to configure the I/O drive for pads PA0 to PA31. Refer to [Section 54. Electrical Characteristics](#).

27.5.13 Programmable Schmitt Trigger

It is possible to configure each input for the Schmitt trigger. By default the Schmitt trigger is active. Disabling the Schmitt trigger is requested when using the QTouch® Library.

27.5.14 I/O Lines Programming Example

The programming example shown in [Table 27-3](#) is used to obtain the following configuration:

- 4-bit output port on I/O lines 0 to 3 (should be written in a single write operation), open-drain, with pull-up resistor
- Four output signals on I/O lines 4 to 7 (to drive LEDs for example), driven high and low, no pull-up resistor, no pull-down resistor
- Four input signals on I/O lines 8 to 11 (to read push-button states for example), with pull-up resistors, glitch filters and input change interrupts
- Four input signals on I/O line 12 to 15 to read an external device status (polled, thus no input change interrupt), no pull-up resistor, no glitch filter
- I/O lines 16 to 19 assigned to peripheral A functions with pull-up resistor
- I/O lines 20 to 23 assigned to peripheral B functions with pull-down resistor
- I/O lines 24 to 27 assigned to peripheral C with input change interrupt, no pull-up resistor and no pull-down resistor
- I/O lines 28 to 31 assigned to peripheral D, no pull-up resistor and no pull-down resistor

Table 27-3: Programming Example

Register	Value to be Written
PIO_PER	0x0000_FFFF
PIO_PDR	0xFFFF_0000
PIO_OER	0x0000_00FF
PIO_ODR	0xFFFF_FF00
PIO_IFER	0x0000_0F00
PIO_IFDR	0xFFFF_F0FF
PIO_SODR	0x0000_0000

SAMA5D3 SERIES

Table 27-3: Programming Example (Continued)

PIO_CODR	0x0FFF_FFFF
PIO_IER	0x0F00_0F00
PIO_IDR	0xF0FF_F0FF
PIO_MDER	0x0000_000F
PIO_MDDR	0xFFFF_FFF0
PIO_PUDR	0xFFFF0_00F0
PIO_PUER	0x000F_FF0F
PIO_PPDDR	0xFF0F_FFFF
PIO_PPDER	0x00F0_0000
PIO_ABCDSR1	0xF0F0_0000
PIO_ABCDSR2	0xFF00_0000
PIO_OWER	0x0000_000F
PIO_OWDR	0x0FFF_FFF0

27.5.15 Register Write Protection

To prevent any single software error from corrupting PIO behavior, certain registers in the address space can be write-protected by setting the WPEN bit in the [PIO Write Protection Mode Register](#) (PIO_WPMR).

If a write access to a write-protected register is detected, the WPVS flag in the [PIO Write Protection Status Register](#) (PIO_WPSR) is set and the field WPVSR indicates the register in which the write access has been attempted.

The WPVS bit is automatically cleared after reading the PIO_WPSR.

The following registers can be write-protected:

- [PIO Enable Register](#)
- [PIO Disable Register](#)
- [PIO Output Enable Register](#)
- [PIO Output Disable Register](#)
- [PIO Input Filter Enable Register](#)
- [PIO Input Filter Disable Register](#)
- [PIO Multi-driver Enable Register](#)
- [PIO Multi-driver Disable Register](#)
- [PIO Pull-Up Disable Register](#)
- [PIO Pull-Up Enable Register](#)
- [PIO Peripheral ABCD Select Register 1](#)
- [PIO Peripheral ABCD Select Register 2](#)
- [PIO Output Write Enable Register](#)
- [PIO Output Write Disable Register](#)
- [PIO Pad Pull-Down Disable Register](#)
- [PIO Pad Pull-Down Enable Register](#)

SAMA5D3 SERIES

27.6 Parallel Input/Output Controller (PIO) User Interface

Each I/O line controlled by the PIO Controller is associated with a bit in each of the PIO Controller User Interface registers. Each register is 32-bit wide. If a parallel I/O line is not defined, writing to the corresponding bits has no effect. Undefined bits read zero. If the I/O line is not multiplexed with any peripheral, the I/O line is controlled by the PIO Controller and PIO_PSR returns one systematically.

Table 27-4: Register Mapping

Offset	Register	Name	Access	Reset
0x0000	PIO Enable Register	PIO_PER	Write-only	–
0x0004	PIO Disable Register	PIO_PDR	Write-only	–
0x0008	PIO Status Register	PIO_PSR	Read-only	(1)
0x000C	Reserved	–	–	–
0x0010	Output Enable Register	PIO_OER	Write-only	–
0x0014	Output Disable Register	PIO_ODR	Write-only	–
0x0018	Output Status Register	PIO_OSR	Read-only	0x00000000
0x001C	Reserved	–	–	–
0x0020	Glitch Input Filter Enable Register	PIO_IFER	Write-only	–
0x0024	Glitch Input Filter Disable Register	PIO_IFDR	Write-only	–
0x0028	Glitch Input Filter Status Register	PIO_IFSR	Read-only	0x00000000
0x002C	Reserved	–	–	–
0x0030	Set Output Data Register	PIO_SODR	Write-only	–
0x0034	Clear Output Data Register	PIO_CODR	Write-only	–
0x0038	Output Data Status Register	PIO_ODSR	Read-only or ⁽²⁾ Read/Write	–
0x003C	Pin Data Status Register	PIO_PDSR	Read-only	(3)
0x0040	Interrupt Enable Register	PIO_IER	Write-only	–
0x0044	Interrupt Disable Register	PIO_IDR	Write-only	–
0x0048	Interrupt Mask Register	PIO_IMR	Read-only	0x00000000
0x004C	Interrupt Status Register ⁽⁴⁾	PIO_ISR	Read-only	0x00000000
0x0050	Multi-driver Enable Register	PIO_MDER	Write-only	–
0x0054	Multi-driver Disable Register	PIO_MDDR	Write-only	–
0x0058	Multi-driver Status Register	PIO_MDSR	Read-only	0x00000000
0x005C	Reserved	–	–	–
0x0060	Pull-up Disable Register	PIO_PUDR	Write-only	–
0x0064	Pull-up Enable Register	PIO_PUER	Write-only	–
0x0068	Pad Pull-up Status Register	PIO_PUSR	Read-only	(1)
0x006C	Reserved	–	–	–
0x0070	Peripheral Select Register 1	PIO_ABCDSR1	Read/Write	0x00000000
0x0074	Peripheral Select Register 2	PIO_ABCDSR2	Read/Write	0x00000000
0x0078–0x007C	Reserved	–	–	–
0x0080	Input Filter Slow Clock Disable Register	PIO_IFSCDR	Write-only	–

Table 27-4: Register Mapping (Continued)

Offset	Register	Name	Access	Reset
0x0084	Input Filter Slow Clock Enable Register	PIO_IFSCER	Write-only	–
0x0088	Input Filter Slow Clock Status Register	PIO_IFSCSR	Read-only	0x00000000
0x008C	Slow Clock Divider Debouncing Register	PIO_SCDR	Read/Write	0x00000000
0x0090	Pad Pull-down Disable Register	PIO_PPDDR	Write-only	–
0x0094	Pad Pull-down Enable Register	PIO_PPDER	Write-only	–
0x0098	Pad Pull-down Status Register	PIO_PPDSR	Read-only	(1)
0x009C	Reserved	–	–	–
0x00A0	Output Write Enable	PIO_OWER	Write-only	–
0x00A4	Output Write Disable	PIO_OWDR	Write-only	–
0x00A8	Output Write Status Register	PIO_OWSR	Read-only	0x00000000
0x00AC	Reserved	–	–	–
0x00B0	Additional Interrupt Modes Enable Register	PIO_AIMER	Write-only	–
0x00B4	Additional Interrupt Modes Disable Register	PIO_AIMDR	Write-only	–
0x00B8	Additional Interrupt Modes Mask Register	PIO_AIMMR	Read-only	0x00000000
0x00BC	Reserved	–	–	–
0x00C0	Edge Select Register	PIO_ESR	Write-only	–
0x00C4	Level Select Register	PIO_LSR	Write-only	–
0x00C8	Edge/Level Status Register	PIO_ELSR	Read-only	0x00000000
0x00CC	Reserved	–	–	–
0x00D0	Falling Edge/Low-Level Select Register	PIO_FELLSR	Write-only	–
0x00D4	Rising Edge/High-Level Select Register	PIO_REHLSR	Write-only	–
0x00D8	Fall/Rise - Low/High Status Register	PIO_FRLHSR	Read-only	0x00000000
0x00DC	Reserved	–	–	–
0x00E0	Lock Status	PIO_LOCKSR	Read-only	0x00000000
0x00E4	Write Protection Mode Register	PIO_WPMR	Read/Write	0x00000000
0x00E8	Write Protection Status Register	PIO_WPSR	Read-only	0x00000000
0x00EC–0x00FC	Reserved	–	–	–
0x0100	Schmitt Trigger Register	PIO_SCHMITT	Read/Write	0x00000000
0x0104–0x010C	Reserved	–	–	–
0x0110	Reserved	–	–	–
0x0114	Reserved	–	–	–
0x0118	I/O Drive Register 1	PIO_DRIVER1	Read/Write	0xAAAAAAAA
0x011C	I/O Drive Register 2	PIO_DRIVER2	Read/Write	0xAAAAAAAA
0x0120–0x014C	Reserved	–	–	–

Note 1: Reset value depends on the product implementation.

2: PIO_ODSR is Read-only or Read/Write depending on PIO_OWSR I/O lines.

SAMA5D3 SERIES

- 3: Reset value of PIO_PDSR depends on the level of the I/O lines. Reading the I/O line levels requires the clock of the PIO Controller to be enabled, otherwise PIO_PDSR reads the levels present on the I/O line at the time the clock was disabled.
- 4: PIO_ISR is reset at 0x0. However, the first read of the register may read a different value as input changes may have occurred.
- 5: If an offset is not listed in the table it must be considered as reserved.

27.6.1 PIO Enable Register

Name:PIO_PER

Address:0xFFFFF200 (PIOA), 0xFFFFF400 (PIOB), 0xFFFFF600 (PIOC), 0xFFFFF800 (PIOD), 0xFFFFFA00 (PIOE)

Access:Write-only

31	30	29	28	27	26	25	24
P31	P30	P29	P28	P27	P26	P25	P24
23	22	21	20	19	18	17	16
P23	P22	P21	P20	P19	P18	P17	P16
15	14	13	12	11	10	9	8
P15	P14	P13	P12	P11	P10	P9	P8
7	6	5	4	3	2	1	0
P7	P6	P5	P4	P3	P2	P1	P0

This register can only be written if the WPEN bit is cleared in the [PIO Write Protection Mode Register](#).

P0–P31: PIO Enable

0: No effect.

1: Enables the PIO to control the corresponding pin (disables peripheral control of the pin).

SAMA5D3 SERIES

27.6.2 PIO Disable Register

Name:PIO_PDR

Address:0xFFFFF204 (PIOA), 0xFFFFF404 (PIOB), 0xFFFFF604 (PIOC), 0xFFFFF804 (PIOD), 0xFFFFFA04 (PIOE)

Access:Write-only

31	30	29	28	27	26	25	24
P31	P30	P29	P28	P27	P26	P25	P24
23	22	21	20	19	18	17	16
P23	P22	P21	P20	P19	P18	P17	P16
15	14	13	12	11	10	9	8
P15	P14	P13	P12	P11	P10	P9	P8
7	6	5	4	3	2	1	0
P7	P6	P5	P4	P3	P2	P1	P0

This register can only be written if the WPEN bit is cleared in the [PIO Write Protection Mode Register](#).

P0–P31: PIO Disable

0: No effect.

1: Disables the PIO from controlling the corresponding pin (enables peripheral control of the pin).

27.6.3 PIO Status Register

Name:PIO_PSR

Address:0xFFFFF208 (PIOA), 0xFFFFF408 (PIOB), 0xFFFFF608 (PIOC), 0xFFFFF808 (PIOD), 0xFFFFFA08 (PIOE)

Access:Read-only

31	30	29	28	27	26	25	24
P31	P30	P29	P28	P27	P26	P25	P24
23	22	21	20	19	18	17	16
P23	P22	P21	P20	P19	P18	P17	P16
15	14	13	12	11	10	9	8
P15	P14	P13	P12	P11	P10	P9	P8
7	6	5	4	3	2	1	0
P7	P6	P5	P4	P3	P2	P1	P0

P0–P31: PIO Status

0: PIO is inactive on the corresponding I/O line (peripheral is active).

1: PIO is active on the corresponding I/O line (peripheral is inactive).

SAMA5D3 SERIES

27.6.4 PIO Output Enable Register

Name:PIO_OER

Address:0xFFFFF210 (PIOA), 0xFFFFF410 (PIOB), 0xFFFFF610 (PIOC), 0xFFFFF810 (PIOD), 0xFFFFFA10 (PIOE)

Access:Write-only

31	30	29	28	27	26	25	24
P31	P30	P29	P28	P27	P26	P25	P24
23	22	21	20	19	18	17	16
P23	P22	P21	P20	P19	P18	P17	P16
15	14	13	12	11	10	9	8
P15	P14	P13	P12	P11	P10	P9	P8
7	6	5	4	3	2	1	0
P7	P6	P5	P4	P3	P2	P1	P0

This register can only be written if the WPEN bit is cleared in the [PIO Write Protection Mode Register](#).

P0–P31: Output Enable

0: No effect.

1: Enables the output on the I/O line.

27.6.5 PIO Output Disable Register

Name:PIO_ODR

Address:0xFFFFF214 (PIOA), 0xFFFFF414 (PIOB), 0xFFFFF614 (PIOC), 0xFFFFF814 (PIOD), 0xFFFFFA14 (PIOE)

Access:Write-only

31	30	29	28	27	26	25	24
P31	P30	P29	P28	P27	P26	P25	P24
23	22	21	20	19	18	17	16
P23	P22	P21	P20	P19	P18	P17	P16
15	14	13	12	11	10	9	8
P15	P14	P13	P12	P11	P10	P9	P8
7	6	5	4	3	2	1	0
P7	P6	P5	P4	P3	P2	P1	P0

This register can only be written if the WPEN bit is cleared in the [PIO Write Protection Mode Register](#).

P0–P31: Output Disable

0: No effect.

1: Disables the output on the I/O line.

SAMA5D3 SERIES

27.6.6 PIO Output Status Register

Name:PIO_OSR

Address:0xFFFFF218 (PIOA), 0xFFFFF418 (PIOB), 0xFFFFF618 (PIOC), 0xFFFFF818 (PIOD), 0xFFFFFA18 (PIOE)

Access:Read-only

31	30	29	28	27	26	25	24
P31	P30	P29	P28	P27	P26	P25	P24
23	22	21	20	19	18	17	16
P23	P22	P21	P20	P19	P18	P17	P16
15	14	13	12	11	10	9	8
P15	P14	P13	P12	P11	P10	P9	P8
7	6	5	4	3	2	1	0
P7	P6	P5	P4	P3	P2	P1	P0

P0–P31: Output Status

0: The I/O line is a pure input.

1: The I/O line is enabled in output.

27.6.7 PIO Input Filter Enable Register

Name:PIO_IFER

Address:0xFFFFF220 (PIOA), 0xFFFFF420 (PIOB), 0xFFFFF620 (PIOC), 0xFFFFF820 (PIOD), 0xFFFFFA20 (PIOE)

Access:Write-only

31	30	29	28	27	26	25	24
P31	P30	P29	P28	P27	P26	P25	P24
23	22	21	20	19	18	17	16
P23	P22	P21	P20	P19	P18	P17	P16
15	14	13	12	11	10	9	8
P15	P14	P13	P12	P11	P10	P9	P8
7	6	5	4	3	2	1	0
P7	P6	P5	P4	P3	P2	P1	P0

This register can only be written if the WPEN bit is cleared in the [PIO Write Protection Mode Register](#).

P0–P31: Input Filter Enable

0: No effect.

1: Enables the input glitch filter on the I/O line.

SAMA5D3 SERIES

27.6.8 PIO Input Filter Disable Register

Name:PIO_IFDR

Address:0xFFFFF224 (PIOA), 0xFFFFF424 (PIOB), 0xFFFFF624 (PIOC), 0xFFFFF824 (PIOD), 0xFFFFFA24 (PIOE)

Access:Write-only

31	30	29	28	27	26	25	24
P31	P30	P29	P28	P27	P26	P25	P24
23	22	21	20	19	18	17	16
P23	P22	P21	P20	P19	P18	P17	P16
15	14	13	12	11	10	9	8
P15	P14	P13	P12	P11	P10	P9	P8
7	6	5	4	3	2	1	0
P7	P6	P5	P4	P3	P2	P1	P0

This register can only be written if the WPEN bit is cleared in the [PIO Write Protection Mode Register](#).

P0–P31: Input Filter Disable

0: No effect.

1: Disables the input glitch filter on the I/O line.

27.6.9 PIO Input Filter Status Register

Name:PIO_IFSR

Address:0xFFFFF228 (PIOA), 0xFFFFF428 (PIOB), 0xFFFFF628 (PIOC), 0xFFFFF828 (PIOD), 0xFFFFFA28 (PIOE)

Access:Read-only

31	30	29	28	27	26	25	24
P31	P30	P29	P28	P27	P26	P25	P24
23	22	21	20	19	18	17	16
P23	P22	P21	P20	P19	P18	P17	P16
15	14	13	12	11	10	9	8
P15	P14	P13	P12	P11	P10	P9	P8
7	6	5	4	3	2	1	0
P7	P6	P5	P4	P3	P2	P1	P0

P0–P31: Input Filter Status

0: The input glitch filter is disabled on the I/O line.

1: The input glitch filter is enabled on the I/O line.

SAMA5D3 SERIES

27.6.10 PIO Set Output Data Register

Name:PIO_SODR

Address:0xFFFFF230 (PIOA), 0xFFFFF430 (PIOB), 0xFFFFF630 (PIOC), 0xFFFFF830 (PIOD), 0xFFFFFA30 (PIOE)

Access:Write-only

31	30	29	28	27	26	25	24
P31	P30	P29	P28	P27	P26	P25	P24
23	22	21	20	19	18	17	16
P23	P22	P21	P20	P19	P18	P17	P16
15	14	13	12	11	10	9	8
P15	P14	P13	P12	P11	P10	P9	P8
7	6	5	4	3	2	1	0
P7	P6	P5	P4	P3	P2	P1	P0

P0–P31: Set Output Data

0: No effect.

1: Sets the data to be driven on the I/O line.

27.6.11 PIO Clear Output Data Register

Name:PIO_CODR

Address:0xFFFFF234 (PIOA), 0xFFFFF434 (PIOB), 0xFFFFF634 (PIOC), 0xFFFFF834 (PIOD), 0xFFFFFA34 (PIOE)

Access:Write-only

31	30	29	28	27	26	25	24
P31	P30	P29	P28	P27	P26	P25	P24
23	22	21	20	19	18	17	16
P23	P22	P21	P20	P19	P18	P17	P16
15	14	13	12	11	10	9	8
P15	P14	P13	P12	P11	P10	P9	P8
7	6	5	4	3	2	1	0
P7	P6	P5	P4	P3	P2	P1	P0

P0–P31: Clear Output Data

0: No effect.

1: Clears the data to be driven on the I/O line.

SAMA5D3 SERIES

27.6.12 PIO Output Data Status Register

Name:PIO_ODSR

Address:0xFFFFF238 (PIOA), 0xFFFFF438 (PIOB), 0xFFFFF638 (PIOC), 0xFFFFF838 (PIOD), 0xFFFFFA38 (PIOE)

Access:Read-only or Read/Write

31	30	29	28	27	26	25	24
P31	P30	P29	P28	P27	P26	P25	P24
23	22	21	20	19	18	17	16
P23	P22	P21	P20	P19	P18	P17	P16
15	14	13	12	11	10	9	8
P15	P14	P13	P12	P11	P10	P9	P8
7	6	5	4	3	2	1	0
P7	P6	P5	P4	P3	P2	P1	P0

P0–P31: Output Data Status

0: The data to be driven on the I/O line is 0.

1: The data to be driven on the I/O line is 1.

27.6.13 PIO Pin Data Status Register

Name:PIO_PDSR

Address:0xFFFFF23C (PIOA), 0xFFFFF43C (PIOB), 0xFFFFF63C (PIOC), 0xFFFFF83C (PIOD), 0xFFFFFA3C (PIOE)

Access:Read-only

31	30	29	28	27	26	25	24
P31	P30	P29	P28	P27	P26	P25	P24
23	22	21	20	19	18	17	16
P23	P22	P21	P20	P19	P18	P17	P16
15	14	13	12	11	10	9	8
P15	P14	P13	P12	P11	P10	P9	P8
7	6	5	4	3	2	1	0
P7	P6	P5	P4	P3	P2	P1	P0

P0–P31: Output Data Status

0: The I/O line is at level 0.

1: The I/O line is at level 1.

SAMA5D3 SERIES

27.6.14 PIO Interrupt Enable Register

Name:PIO_IER

Address:0xFFFFF240 (PIOA), 0xFFFFF440 (PIOB), 0xFFFFF640 (PIOC), 0xFFFFF840 (PIOD), 0xFFFFFA40 (PIOE)

Access:Write-only

31	30	29	28	27	26	25	24
P31	P30	P29	P28	P27	P26	P25	P24
23	22	21	20	19	18	17	16
P23	P22	P21	P20	P19	P18	P17	P16
15	14	13	12	11	10	9	8
P15	P14	P13	P12	P11	P10	P9	P8
7	6	5	4	3	2	1	0
P7	P6	P5	P4	P3	P2	P1	P0

P0–P31: Input Change Interrupt Enable

0: No effect.

1: Enables the input change interrupt on the I/O line.

27.6.15 PIO Interrupt Disable Register

Name:PIO_IDR

Address:0xFFFFF244 (PIOA), 0xFFFFF444 (PIOB), 0xFFFFF644 (PIOC), 0xFFFFF844 (PIOD), 0xFFFFFA44 (PIOE)

Access:Write-only

31	30	29	28	27	26	25	24
P31	P30	P29	P28	P27	P26	P25	P24
23	22	21	20	19	18	17	16
P23	P22	P21	P20	P19	P18	P17	P16
15	14	13	12	11	10	9	8
P15	P14	P13	P12	P11	P10	P9	P8
7	6	5	4	3	2	1	0
P7	P6	P5	P4	P3	P2	P1	P0

P0–P31: Input Change Interrupt Disable

0: No effect.

1: Disables the input change interrupt on the I/O line.

SAMA5D3 SERIES

27.6.16 PIO Interrupt Mask Register

Name:PIO_IMR

Address:0xFFFFF248 (PIOA), 0xFFFFF448 (PIOB), 0xFFFFF648 (PIOC), 0xFFFFF848 (PIOD), 0xFFFFFA48 (PIOE)

Access:Read-only

31	30	29	28	27	26	25	24
P31	P30	P29	P28	P27	P26	P25	P24
23	22	21	20	19	18	17	16
P23	P22	P21	P20	P19	P18	P17	P16
15	14	13	12	11	10	9	8
P15	P14	P13	P12	P11	P10	P9	P8
7	6	5	4	3	2	1	0
P7	P6	P5	P4	P3	P2	P1	P0

P0–P31: Input Change Interrupt Mask

0: Input change interrupt is disabled on the I/O line.

1: Input change interrupt is enabled on the I/O line.

27.6.17 PIO Interrupt Status Register

Name:PIO_ISR

Address:0xFFFFF24C (PIOA), 0xFFFFF44C (PIOB), 0xFFFFF64C (PIOC), 0xFFFFF84C (PIOD), 0xFFFFFA4C (PIOE)

Access:Read-only

31	30	29	28	27	26	25	24
P31	P30	P29	P28	P27	P26	P25	P24
23	22	21	20	19	18	17	16
P23	P22	P21	P20	P19	P18	P17	P16
15	14	13	12	11	10	9	8
P15	P14	P13	P12	P11	P10	P9	P8
7	6	5	4	3	2	1	0
P7	P6	P5	P4	P3	P2	P1	P0

P0–P31: Input Change Interrupt Status

0: No input change has been detected on the I/O line since PIO_ISR was last read or since reset.

1: At least one input change has been detected on the I/O line since PIO_ISR was last read or since reset.

SAMA5D3 SERIES

27.6.18 PIO Multi-driver Enable Register

Name:PIO_MDER

Address:0xFFFFF250 (PIOA), 0xFFFFF450 (PIOB), 0xFFFFF650 (PIOC), 0xFFFFF850 (PIOD), 0xFFFFFA50 (PIOE)

Access:Write-only

31	30	29	28	27	26	25	24
P31	P30	P29	P28	P27	P26	P25	P24
23	22	21	20	19	18	17	16
P23	P22	P21	P20	P19	P18	P17	P16
15	14	13	12	11	10	9	8
P15	P14	P13	P12	P11	P10	P9	P8
7	6	5	4	3	2	1	0
P7	P6	P5	P4	P3	P2	P1	P0

This register can only be written if the WPEN bit is cleared in the [PIO Write Protection Mode Register](#).

P0-P31: Multi-drive Enable

0: No effect.

1: Enables multi-drive on the I/O line.

27.6.19 PIO Multi-driver Disable Register

Name:PIO_MDDR

Address:0xFFFFF254 (PIOA), 0xFFFFF454 (PIOB), 0xFFFFF654 (PIOC), 0xFFFFF854 (PIOD), 0xFFFFFA54 (PIOE)

Access:Write-only

31	30	29	28	27	26	25	24
P31	P30	P29	P28	P27	P26	P25	P24
23	22	21	20	19	18	17	16
P23	P22	P21	P20	P19	P18	P17	P16
15	14	13	12	11	10	9	8
P15	P14	P13	P12	P11	P10	P9	P8
7	6	5	4	3	2	1	0
P7	P6	P5	P4	P3	P2	P1	P0

This register can only be written if the WPEN bit is cleared in the [PIO Write Protection Mode Register](#).

P0–P31: Multi-drive Disable

0: No effect.

1: Disables multi-drive on the I/O line.

SAMA5D3 SERIES

27.6.20 PIO Multi-driver Status Register

Name:PIO_MDSR

Address:0xFFFFF258 (PIOA), 0xFFFFF458 (PIOB), 0xFFFFF658 (PIOC), 0xFFFFF858 (PIOD), 0xFFFFFA58 (PIOE)

Access:Read-only

31	30	29	28	27	26	25	24
P31	P30	P29	P28	P27	P26	P25	P24
23	22	21	20	19	18	17	16
P23	P22	P21	P20	P19	P18	P17	P16
15	14	13	12	11	10	9	8
P15	P14	P13	P12	P11	P10	P9	P8
7	6	5	4	3	2	1	0
P7	P6	P5	P4	P3	P2	P1	P0

P0–P31: Multi-drive Status

0: The multi-drive is disabled on the I/O line. The pin is driven at high- and low-level.

1: The multi-drive is enabled on the I/O line. The pin is driven at low-level only.

27.6.21 PIO Pull-Up Disable Register

Name:PIO_PUDR

Address:0xFFFFF260 (PIOA), 0xFFFFF460 (PIOB), 0xFFFFF660 (PIOC), 0xFFFFF860 (PIOD), 0xFFFFFA60 (PIOE)

Access:Write-only

31	30	29	28	27	26	25	24
P31	P30	P29	P28	P27	P26	P25	P24
23	22	21	20	19	18	17	16
P23	P22	P21	P20	P19	P18	P17	P16
15	14	13	12	11	10	9	8
P15	P14	P13	P12	P11	P10	P9	P8
7	6	5	4	3	2	1	0
P7	P6	P5	P4	P3	P2	P1	P0

This register can only be written if the WPEN bit is cleared in the [PIO Write Protection Mode Register](#).

P0–P31: Pull-Up Disable

0: No effect.

1: Disables the pull-up resistor on the I/O line.

SAMA5D3 SERIES

27.6.22 PIO Pull-Up Enable Register

Name:PIO_PUER

Address:0xFFFFF264 (PIOA), 0xFFFFF464 (PIOB), 0xFFFFF664 (PIOC), 0xFFFFF864 (PIOD), 0xFFFFFA64 (PIOE)

Access:Write-only

31	30	29	28	27	26	25	24
P31	P30	P29	P28	P27	P26	P25	P24
23	22	21	20	19	18	17	16
P23	P22	P21	P20	P19	P18	P17	P16
15	14	13	12	11	10	9	8
P15	P14	P13	P12	P11	P10	P9	P8
7	6	5	4	3	2	1	0
P7	P6	P5	P4	P3	P2	P1	P0

This register can only be written if the WPEN bit is cleared in the [PIO Write Protection Mode Register](#).

P0–P31: Pull-Up Enable

0: No effect.

1: Enables the pull-up resistor on the I/O line.

27.6.23 PIO Pull-Up Status Register

Name:PIO_PUSR

Address:0xFFFFF268 (PIOA), 0xFFFFF468 (PIOB), 0xFFFFF668 (PIOC), 0xFFFFF868 (PIOD), 0xFFFFFA68 (PIOE)

Access:Read-only

31	30	29	28	27	26	25	24
P31	P30	P29	P28	P27	P26	P25	P24
23	22	21	20	19	18	17	16
P23	P22	P21	P20	P19	P18	P17	P16
15	14	13	12	11	10	9	8
P15	P14	P13	P12	P11	P10	P9	P8
7	6	5	4	3	2	1	0
P7	P6	P5	P4	P3	P2	P1	P0

P0–P31: Pull-Up Status

0: Pull-up resistor is enabled on the I/O line.

1: Pull-up resistor is disabled on the I/O line.

SAMA5D3 SERIES

27.6.24 PIO Peripheral ABCD Select Register 1

Name:PIO_ABCDSR1

Access:Read/Write

31	30	29	28	27	26	25	24
P31	P30	P29	P28	P27	P26	P25	P24
23	22	21	20	19	18	17	16
P23	P22	P21	P20	P19	P18	P17	P16
15	14	13	12	11	10	9	8
P15	P14	P13	P12	P11	P10	P9	P8
7	6	5	4	3	2	1	0
P7	P6	P5	P4	P3	P2	P1	P0

This register can only be written if the WPEN bit is cleared in the [PIO Write Protection Mode Register](#).

P0–P31: Peripheral Select

If the same bit is set to 0 in PIO_ABCDSR2:

- 0: Assigns the I/O line to the Peripheral A function.
- 1: Assigns the I/O line to the Peripheral B function.

If the same bit is set to 1 in PIO_ABCDSR2:

- 0: Assigns the I/O line to the Peripheral C function.
- 1: Assigns the I/O line to the Peripheral D function.

27.6.25 PIO Peripheral ABCD Select Register 2

Name: PIO_ABCDSR2

Access: Read/Write

31	30	29	28	27	26	25	24
P31	P30	P29	P28	P27	P26	P25	P24
23	22	21	20	19	18	17	16
P23	P22	P21	P20	P19	P18	P17	P16
15	14	13	12	11	10	9	8
P15	P14	P13	P12	P11	P10	P9	P8
7	6	5	4	3	2	1	0
P7	P6	P5	P4	P3	P2	P1	P0

This register can only be written if the WPEN bit is cleared in the [PIO Write Protection Mode Register](#).

P0–P31: Peripheral Select

If the same bit is set to 0 in PIO_ABCDSR1:

- 0: Assigns the I/O line to the Peripheral A function.
- 1: Assigns the I/O line to the Peripheral C function.

If the same bit is set to 1 in PIO_ABCDSR1:

- 0: Assigns the I/O line to the Peripheral B function.
- 1: Assigns the I/O line to the Peripheral D function.

SAMA5D3 SERIES

27.6.26 PIO Input Filter Slow Clock Disable Register

Name:PIO_IFSCDR

Address:0xFFFFF280 (PIOA), 0xFFFFF480 (PIOB), 0xFFFFF680 (PIOC), 0xFFFFF880 (PIOD), 0xFFFFFA80 (PIOE)

Access:Write-only

31	30	29	28	27	26	25	24
P31	P30	P29	P28	P27	P26	P25	P24
23	22	21	20	19	18	17	16
P23	P22	P21	P20	P19	P18	P17	P16
15	14	13	12	11	10	9	8
P15	P14	P13	P12	P11	P10	P9	P8
7	6	5	4	3	2	1	0
P7	P6	P5	P4	P3	P2	P1	P0

P0–P31: Peripheral Clock Glitch Filtering Select

0: No effect.

1: The glitch filter is able to filter glitches with a duration $< t_{\text{peripheral clock}}/2$.

27.6.27 PIO Input Filter Slow Clock Enable Register

Name:PIO_IFSCER

Address:0xFFFFF284 (PIOA), 0xFFFFF484 (PIOB), 0xFFFFF684 (PIOC), 0xFFFFF884 (PIOD), 0xFFFFFA84 (PIOE)

Access:Write-only

31	30	29	28	27	26	25	24
P31	P30	P29	P28	P27	P26	P25	P24
23	22	21	20	19	18	17	16
P23	P22	P21	P20	P19	P18	P17	P16
15	14	13	12	11	10	9	8
P15	P14	P13	P12	P11	P10	P9	P8
7	6	5	4	3	2	1	0
P7	P6	P5	P4	P3	P2	P1	P0

P0–P31: Slow Clock Debouncing Filtering Select

0: No effect.

1: The debouncing filter is able to filter pulses with a duration $< t_{div_slck}/2$.

SAMA5D3 SERIES

27.6.28 PIO Input Filter Slow Clock Status Register

Name:PIO_IFSCSR

Address:0xFFFFF288 (PIOA), 0xFFFFF488 (PIOB), 0xFFFFF688 (PIOC), 0xFFFFF888 (PIOD), 0xFFFFFA88 (PIOE)

Access:Read-only

31	30	29	28	27	26	25	24
P31	P30	P29	P28	P27	P26	P25	P24
23	22	21	20	19	18	17	16
P23	P22	P21	P20	P19	P18	P17	P16
15	14	13	12	11	10	9	8
P15	P14	P13	P12	P11	P10	P9	P8
7	6	5	4	3	2	1	0
P7	P6	P5	P4	P3	P2	P1	P0

P0–P31: Glitch or Debouncing Filter Selection Status

0: The glitch filter is able to filter glitches with a duration $< t_{\text{peripheral clock}}/2$.

1: The debouncing filter is able to filter pulses with a duration $< t_{\text{div_slck}}/2$.

27.6.29 PIO Slow Clock Divider Debouncing Register

Name:PIO_SCDR

Address:0xFFFFF28C (PIOA), 0xFFFFF48C (PIOB), 0xFFFFF68C (PIOC), 0xFFFFF88C (PIOD), 0xFFFFFA8C (PIOE)

Access:Read/Write

31	30	29	28	27	26	25	24
-	-	-	-	-	-	-	-
23	22	21	20	19	18	17	16
-	-	-	-	-	-	-	-
15	14	13	12	11	10	9	8
-	-	DIV					
7	6	5	4	3	2	1	0
DIV							

DIV: Slow Clock Divider Selection for Debouncing

$$t_{\text{div_slck}} = ((\text{DIV} + 1) \times 2) \times t_{\text{slck}}$$

SAMA5D3 SERIES

27.6.30 PIO Pad Pull-Down Disable Register

Name:PIO_PPDDR

Address:0xFFFFF290 (PIOA), 0xFFFFF490 (PIOB), 0xFFFFF690 (PIOC), 0xFFFFF890 (PIOD), 0xFFFFFA90 (PIOE)

Access:Write-only

31	30	29	28	27	26	25	24
P31	P30	P29	P28	P27	P26	P25	P24
23	22	21	20	19	18	17	16
P23	P22	P21	P20	P19	P18	P17	P16
15	14	13	12	11	10	9	8
P15	P14	P13	P12	P11	P10	P9	P8
7	6	5	4	3	2	1	0
P7	P6	P5	P4	P3	P2	P1	P0

This register can only be written if the WPEN bit is cleared in the [PIO Write Protection Mode Register](#).

P0–P31: Pull-Down Disable

0: No effect.

1: Disables the pull-down resistor on the I/O line.

27.6.31 PIO Pad Pull-Down Enable Register

Name:PIO_PPDER

Address:0xFFFFF294 (PIOA), 0xFFFFF494 (PIOB), 0xFFFFF694 (PIOC), 0xFFFFF894 (PIOD), 0xFFFFFA94 (PIOE)

Access:Write-only

31	30	29	28	27	26	25	24
P31	P30	P29	P28	P27	P26	P25	P24
23	22	21	20	19	18	17	16
P23	P22	P21	P20	P19	P18	P17	P16
15	14	13	12	11	10	9	8
P15	P14	P13	P12	P11	P10	P9	P8
7	6	5	4	3	2	1	0
P7	P6	P5	P4	P3	P2	P1	P0

This register can only be written if the WPEN bit is cleared in the [PIO Write Protection Mode Register](#).

P0–P31: Pull-Down Enable

0: No effect.

1: Enables the pull-down resistor on the I/O line.

SAMA5D3 SERIES

27.6.32 PIO Pad Pull-Down Status Register

Name:PIO_PPDSR

Address:0xFFFFF298 (PIOA), 0xFFFFF498 (PIOB), 0xFFFFF698 (PIOC), 0xFFFFF898 (PIOD), 0xFFFFFA98 (PIOE)

Access:Read-only

31	30	29	28	27	26	25	24
P31	P30	P29	P28	P27	P26	P25	P24
23	22	21	20	19	18	17	16
P23	P22	P21	P20	P19	P18	P17	P16
15	14	13	12	11	10	9	8
P15	P14	P13	P12	P11	P10	P9	P8
7	6	5	4	3	2	1	0
P7	P6	P5	P4	P3	P2	P1	P0

P0–P31: Pull-Down Status

0: Pull-down resistor is enabled on the I/O line.

1: Pull-down resistor is disabled on the I/O line.

27.6.33 PIO Output Write Enable Register

Name:PIO_OWER

Address:0xFFFFF2A0 (PIOA), 0xFFFFF4A0 (PIOB), 0xFFFFF6A0 (PIOC), 0xFFFFF8A0 (PIOD), 0xFFFFFAA0 (PIOE)

Access:Write-only

31	30	29	28	27	26	25	24
P31	P30	P29	P28	P27	P26	P25	P24
23	22	21	20	19	18	17	16
P23	P22	P21	P20	P19	P18	P17	P16
15	14	13	12	11	10	9	8
P15	P14	P13	P12	P11	P10	P9	P8
7	6	5	4	3	2	1	0
P7	P6	P5	P4	P3	P2	P1	P0

This register can only be written if the WPEN bit is cleared in the [PIO Write Protection Mode Register](#).

P0–P31: Output Write Enable

0: No effect.

1: Enables writing PIO_ODSR for the I/O line.

SAMA5D3 SERIES

27.6.34 PIO Output Write Disable Register

Name:PIO_OWDR

Address:0xFFFFF2A4 (PIOA), 0xFFFFF4A4 (PIOB), 0xFFFFF6A4 (PIOC), 0xFFFFF8A4 (PIOD), 0xFFFFFAA4 (PIOE)

Access:Write-only

31	30	29	28	27	26	25	24
P31	P30	P29	P28	P27	P26	P25	P24
23	22	21	20	19	18	17	16
P23	P22	P21	P20	P19	P18	P17	P16
15	14	13	12	11	10	9	8
P15	P14	P13	P12	P11	P10	P9	P8
7	6	5	4	3	2	1	0
P7	P6	P5	P4	P3	P2	P1	P0

This register can only be written if the WPEN bit is cleared in the [PIO Write Protection Mode Register](#).

P0–P31: Output Write Disable

0: No effect.

1: Disables writing PIO_ODSR for the I/O line.

27.6.35 PIO Output Write Status Register

Name:PIO_OWSR

Address:0xFFFFF2A8 (PIOA), 0xFFFFF4A8 (PIOB), 0xFFFFF6A8 (PIOC), 0xFFFFF8A8 (PIOD), 0xFFFFFAA8 (PIOE)

Access:Read-only

31	30	29	28	27	26	25	24
P31	P30	P29	P28	P27	P26	P25	P24
23	22	21	20	19	18	17	16
P23	P22	P21	P20	P19	P18	P17	P16
15	14	13	12	11	10	9	8
P15	P14	P13	P12	P11	P10	P9	P8
7	6	5	4	3	2	1	0
P7	P6	P5	P4	P3	P2	P1	P0

P0–P31: Output Write Status

0: Writing PIO_ODSR does not affect the I/O line.

1: Writing PIO_ODSR affects the I/O line.

SAMA5D3 SERIES

27.6.36 PIO Additional Interrupt Modes Enable Register

Name:PIO_AIMER

Address:0xFFFFF2B0 (PIOA), 0xFFFFF4B0 (PIOB), 0xFFFFF6B0 (PIOC), 0xFFFFF8B0 (PIOD), 0xFFFFFAB0 (PIOE)

Access:Write-only

31	30	29	28	27	26	25	24
P31	P30	P29	P28	P27	P26	P25	P24
23	22	21	20	19	18	17	16
P23	P22	P21	P20	P19	P18	P17	P16
15	14	13	12	11	10	9	8
P15	P14	P13	P12	P11	P10	P9	P8
7	6	5	4	3	2	1	0
P7	P6	P5	P4	P3	P2	P1	P0

P0–P31: Additional Interrupt Modes Enable

0: No effect.

1: The interrupt source is the event described in PIO_ELSR and PIO_FRLHSR.

27.6.37 PIO Additional Interrupt Modes Disable Register

Name:PIO_AIMDR

Address:0xFFFFF2B4 (PIOA), 0xFFFFF4B4 (PIOB), 0xFFFFF6B4 (PIOC), 0xFFFFF8B4 (PIOD), 0xFFFFFAB4 (PIOE)

Access:Write-only

31	30	29	28	27	26	25	24
P31	P30	P29	P28	P27	P26	P25	P24
23	22	21	20	19	18	17	16
P23	P22	P21	P20	P19	P18	P17	P16
15	14	13	12	11	10	9	8
P15	P14	P13	P12	P11	P10	P9	P8
7	6	5	4	3	2	1	0
P7	P6	P5	P4	P3	P2	P1	P0

P0–P31: Additional Interrupt Modes Disable

0: No effect.

1: The interrupt mode is set to the default interrupt mode (both-edge detection).

SAMA5D3 SERIES

27.6.38 PIO Additional Interrupt Modes Mask Register

Name:PIO_AIMMR

Address:0xFFFFF2B8 (PIOA), 0xFFFFF4B8 (PIOB), 0xFFFFF6B8 (PIOC), 0xFFFFF8B8 (PIOD), 0xFFFFFAB8 (PIOE)

Access:Read-only

31	30	29	28	27	26	25	24
P31	P30	P29	P28	P27	P26	P25	P24
23	22	21	20	19	18	17	16
P23	P22	P21	P20	P19	P18	P17	P16
15	14	13	12	11	10	9	8
P15	P14	P13	P12	P11	P10	P9	P8
7	6	5	4	3	2	1	0
P7	P6	P5	P4	P3	P2	P1	P0

P0–P31: IO Line Index

Selects the IO event type triggering an interrupt.

0: The interrupt source is a both-edge detection event.

1: The interrupt source is described by the registers PIO_ELSR and PIO_FRLHSR.

27.6.39 PIO Edge Select Register

Name:PIO_ESR

Address:0xFFFFF2C0 (PIOA), 0xFFFFF4C0 (PIOB), 0xFFFFF6C0 (PIOC), 0xFFFFF8C0 (PIOD), 0xFFFFFAC0 (PIOE)

Access:Write-only

31	30	29	28	27	26	25	24
P31	P30	P29	P28	P27	P26	P25	P24
23	22	21	20	19	18	17	16
P23	P22	P21	P20	P19	P18	P17	P16
15	14	13	12	11	10	9	8
P15	P14	P13	P12	P11	P10	P9	P8
7	6	5	4	3	2	1	0
P7	P6	P5	P4	P3	P2	P1	P0

P0–P31: Edge Interrupt Selection

0: No effect.

1: The interrupt source is an edge-detection event.

SAMA5D3 SERIES

27.6.40 PIO Level Select Register

Name:PIO_LSR

Address:0xFFFFF2C4 (PIOA), 0xFFFFF4C4 (PIOB), 0xFFFFF6C4 (PIOC), 0xFFFFF8C4 (PIOD), 0xFFFFFAC4 (PIOE)

Access:Write-only

31	30	29	28	27	26	25	24
P31	P30	P29	P28	P27	P26	P25	P24
23	22	21	20	19	18	17	16
P23	P22	P21	P20	P19	P18	P17	P16
15	14	13	12	11	10	9	8
P15	P14	P13	P12	P11	P10	P9	P8
7	6	5	4	3	2	1	0
P7	P6	P5	P4	P3	P2	P1	P0

P0–P31: Level Interrupt Selection

0: No effect.

1: The interrupt source is a level-detection event.

27.6.41 PIO Edge/Level Status Register

Name:PIO_ELSR

Address:0xFFFFF2C8 (PIOA), 0xFFFFF4C8 (PIOB), 0xFFFFF6C8 (PIOC), 0xFFFFF8C8 (PIOD), 0xFFFFFAC8 (PIOE)

Access:Read-only

31	30	29	28	27	26	25	24
P31	P30	P29	P28	P27	P26	P25	P24
23	22	21	20	19	18	17	16
P23	P22	P21	P20	P19	P18	P17	P16
15	14	13	12	11	10	9	8
P15	P14	P13	P12	P11	P10	P9	P8
7	6	5	4	3	2	1	0
P7	P6	P5	P4	P3	P2	P1	P0

P0–P31: Edge/Level Interrupt Source Selection

0: The interrupt source is an edge-detection event.

1: The interrupt source is a level-detection event.

SAMA5D3 SERIES

27.6.42 PIO Falling Edge/Low-Level Select Register

Name:PIO_FELLSR

Address:0xFFFFF2D0 (PIOA), 0xFFFFF4D0 (PIOB), 0xFFFFF6D0 (PIOC), 0xFFFFF8D0 (PIOD), 0xFFFFFAD0 (PIOE)

Access:Write-only

31	30	29	28	27	26	25	24
P31	P30	P29	P28	P27	P26	P25	P24
23	22	21	20	19	18	17	16
P23	P22	P21	P20	P19	P18	P17	P16
15	14	13	12	11	10	9	8
P15	P14	P13	P12	P11	P10	P9	P8
7	6	5	4	3	2	1	0
P7	P6	P5	P4	P3	P2	P1	P0

P0–P31: Falling Edge/Low-Level Interrupt Selection

0: No effect.

1: The interrupt source is set to a falling edge detection or low-level detection event, depending on PIO_ELSR.

27.6.43 PIO Rising Edge/High-Level Select Register

Name:PIO_REHLSR

Address:0xFFFFF2D4 (PIOA), 0xFFFFF4D4 (PIOB), 0xFFFFF6D4 (PIOC), 0xFFFFF8D4 (PIOD), 0xFFFFFAD4 (PIOE)

Access:Write-only

31 P31	30 P30	29 P29	28 P28	27 P27	26 P26	25 P25	24 P24
23 P23	22 P22	21 P21	20 P20	19 P19	18 P18	17 P17	16 P16
15 P15	14 P14	13 P13	12 P12	11 P11	10 P10	9 P9	8 P8
7 P7	6 P6	5 P5	4 P4	3 P3	2 P2	1 P1	0 P0

P0–P31: Rising Edge/High-Level Interrupt Selection

0: No effect.

1: The interrupt source is set to a rising edge detection or high-level detection event, depending on PIO_ELSR.

SAMA5D3 SERIES

27.6.44 PIO Fall/Rise - Low/High Status Register

Name:PIO_FRLHSR

Address:0xFFFFF2D8 (PIOA), 0xFFFFF4D8 (PIOB), 0xFFFFF6D8 (PIOC), 0xFFFFF8D8 (PIOD), 0xFFFFFAD8 (PIOE)

Access:Read-only

31 P31	30 P30	29 P29	28 P28	27 P27	26 P26	25 P25	24 P24
23 P23	22 P22	21 P21	20 P20	19 P19	18 P18	17 P17	16 P16
15 P15	14 P14	13 P13	12 P12	11 P11	10 P10	9 P9	8 P8
7 P7	6 P6	5 P5	4 P4	3 P3	2 P2	1 P1	0 P0

P0–P31: Edge/Level Interrupt Source Selection

0: The interrupt source is a falling edge detection (if PIO_ELSR = 0) or low-level detection event (if PIO_ELSR = 1).

1: The interrupt source is a rising edge detection (if PIO_ELSR = 0) or high-level detection event (if PIO_ELSR = 1).

27.6.45 PIO Lock Status Register

Name:PIO_LOCKSR

Address:0xFFFFF2E0 (PIOA), 0xFFFFF4E0 (PIOB), 0xFFFFF6E0 (PIOC), 0xFFFFF8E0 (PIOD), 0xFFFFFAE0 (PIOE)

Access:Read-only

31 P31	30 P30	29 P29	28 P28	27 P27	26 P26	25 P25	24 P24
23 P23	22 P22	21 P21	20 P20	19 P19	18 P18	17 P17	16 P16
15 P15	14 P14	13 P13	12 P12	11 P11	10 P10	9 P9	8 P8
7 P7	6 P6	5 P5	4 P4	3 P3	2 P2	1 P1	0 P0

P0–P31: Lock Status

0: The I/O line is not locked.

1: The I/O line is locked.

SAMA5D3 SERIES

27.6.46 PIO Write Protection Mode Register

Name:PIO_WPMR

Address:0xFFFFF2E4 (PIOA), 0xFFFFF4E4 (PIOB), 0xFFFFF6E4 (PIOC), 0xFFFFF8E4 (PIOD), 0xFFFFFAE4 (PIOE)

Access:Read/Write

31	30	29	28	27	26	25	24
WPKEY							
23	22	21	20	19	18	17	16
WPKEY							
15	14	13	12	11	10	9	8
WPKEY							
7	6	5	4	3	2	1	0
–	–	–	–	–	–	–	WPEN

WPEN: Write Protection Enable

0: Disables the write protection if WPKEY corresponds to 0x50494F (“PIO” in ASCII).

1: Enables the write protection if WPKEY corresponds to 0x50494F (“PIO” in ASCII).

See [Section 27.5.15 Register Write Protection](#) for the list of registers that can be protected.

WPKEY: Write Protection Key

Value	Name	Description
0x50494F	PASSWD	Writing any other value in this field aborts the write operation of the WPEN bit. Always reads as 0.

27.6.47 PIO Write Protection Status Register

Name:PIO_WPSR

Address:0xFFFFF2E8 (PIOA), 0xFFFFF4E8 (PIOB), 0xFFFFF6E8 (PIOC), 0xFFFFF8E8 (PIOD), 0xFFFFFAE8 (PIOE)

Access:Read-only

31	30	29	28	27	26	25	24
–	–	–	–	–	–	–	–
23	22	21	20	19	18	17	16
WPVSR							
15	14	13	12	11	10	9	8
WPVSR							
7	6	5	4	3	2	1	0
–	–	–	–	–	–	–	WPVS

WPVS: Write Protection Violation Status

0: No write protection violation has occurred since the last read of the PIO_WPSR.

1: A write protection violation has occurred since the last read of the PIO_WPSR. If this violation is an unauthorized attempt to write a protected register, the associated violation is reported into field WPVSR.

WPVSR: Write Protection Violation Source

When WPVS = 1, WPVSR indicates the register address offset at which a write access has been attempted.

SAMA5D3 SERIES

27.6.48 PIO Schmitt Trigger Register

Name:PIO_SCHMITT

Address:0xFFFFF300 (PIOA), 0xFFFFF500 (PIOB), 0xFFFFF700 (PIOC), 0xFFFFF900 (PIOD), 0xFFFFFB00 (PIOE)

Access:Read/Write

31	30	29	28	27	26	25	24
SCHMITT31	SCHMITT30	SCHMITT29	SCHMITT28	SCHMITT27	SCHMITT26	SCHMITT25	SCHMITT24
23	22	21	20	19	18	17	16
SCHMITT23	SCHMITT22	SCHMITT21	SCHMITT20	SCHMITT19	SCHMITT18	SCHMITT17	SCHMITT16
15	14	13	12	11	10	9	8
SCHMITT15	SCHMITT14	SCHMITT13	SCHMITT12	SCHMITT11	SCHMITT10	SCHMITT9	SCHMITT8
7	6	5	4	3	2	1	0
SCHMITT7	SCHMITT6	SCHMITT5	SCHMITT4	SCHMITT3	SCHMITT2	SCHMITT1	SCHMITT0

SCHMITTx [x=0..31]: Schmitt Trigger Control

0: Schmitt trigger is enabled.

1: Schmitt trigger is disabled.

27.6.49 PIO I/O Drive Register 1

Name:PIO_DRIVER1

Address:0xFFFFF318 (PIOA), 0xFFFFF518 (PIOB), 0xFFFFF718 (PIOC), 0xFFFFF918 (PIOD), 0xFFFFFB18 (PIOE)

Access:Read/Write

31	30	29	28	27	26	25	24
LINE15		LINE14		LINE13		LINE12	
23	22	21	20	19	18	17	16
LINE11		LINE10		LINE9		LINE8	
15	14	13	12	11	10	9	8
LINE7		LINE6		LINE5		LINE4	
7	6	5	4	3	2	1	0
LINE3		LINE2		LINE1		LINE0	

LINEx [x=0..15]: Drive of PIO Line x

Value	Name	Description
0	LO_DRIVE	Low drive
1	LO_DRIVE	Low drive
2	ME_DRIVE	Medium drive
3	HI_DRIVE	High drive

SAMA5D3 SERIES

27.6.50 PIO I/O Drive Register 2

Name:PIO_DRIVER2

Address:0xFFFFF31C (PIOA), 0xFFFFF51C (PIOB), 0xFFFFF71C (PIOC), 0xFFFFF91C (PIOD), 0xFFFFFB1C (PIOE)

Access:Read/Write

31	30	29	28	27	26	25	24
LINE31	LINE30	LINE29	LINE28				
23	22	21	20	19	18	17	16
LINE27	LINE26	LINE25	LINE24				
15	14	13	12	11	10	9	8
LINE23	LINE22	LINE21	LINE20				
7	6	5	4	3	2	1	0
LINE19	LINE18	LINE17	LINE16				

LINEx [x=16..31]: Drive of PIO line x

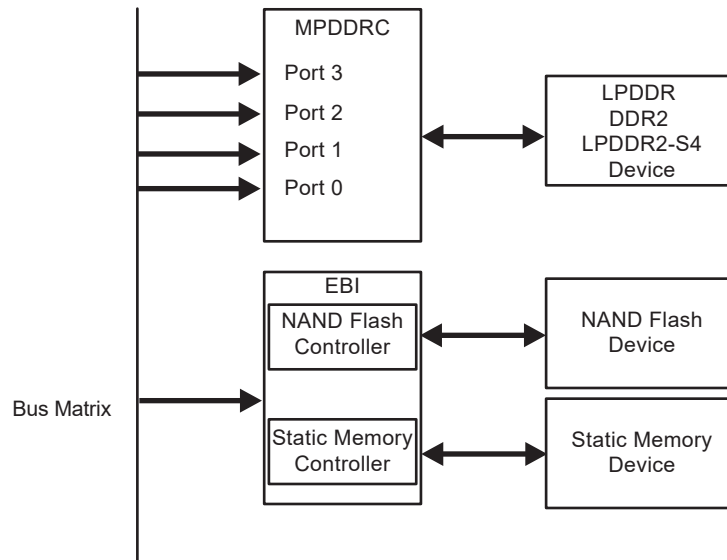
Value	Name	Description
0	LO_DRIVE	Low drive
1	LO_DRIVE	Low drive
2	ME_DRIVE	Medium drive
3	HI_DRIVE	High drive

28. External Memories

The product features:

- Multi-port DDR-SDRAM Controller (MPDDRC)
- External Bus Interface (EBI) that embeds a NAND Flash controller and a Static Memory Controller (SMC)

Figure 28-1: External Memory Controllers



The MPDDRC is a standalone multi-port DDRSDR controller. It supports only 32-bit or 2x16-bit DDR2, LPDDR, and LPDDR2-S4 devices. Its user interface is located at 0xFFFFEA00.

The SMC supports Static Memories and MLC/SLC NAND Flashes. It embeds Multi-Bit ECC. Its user interface is located at 0xFFFFC000.

28.1 Multi-port DDR-SDRAM Controller (MPDDRC)

28.1.1 Description

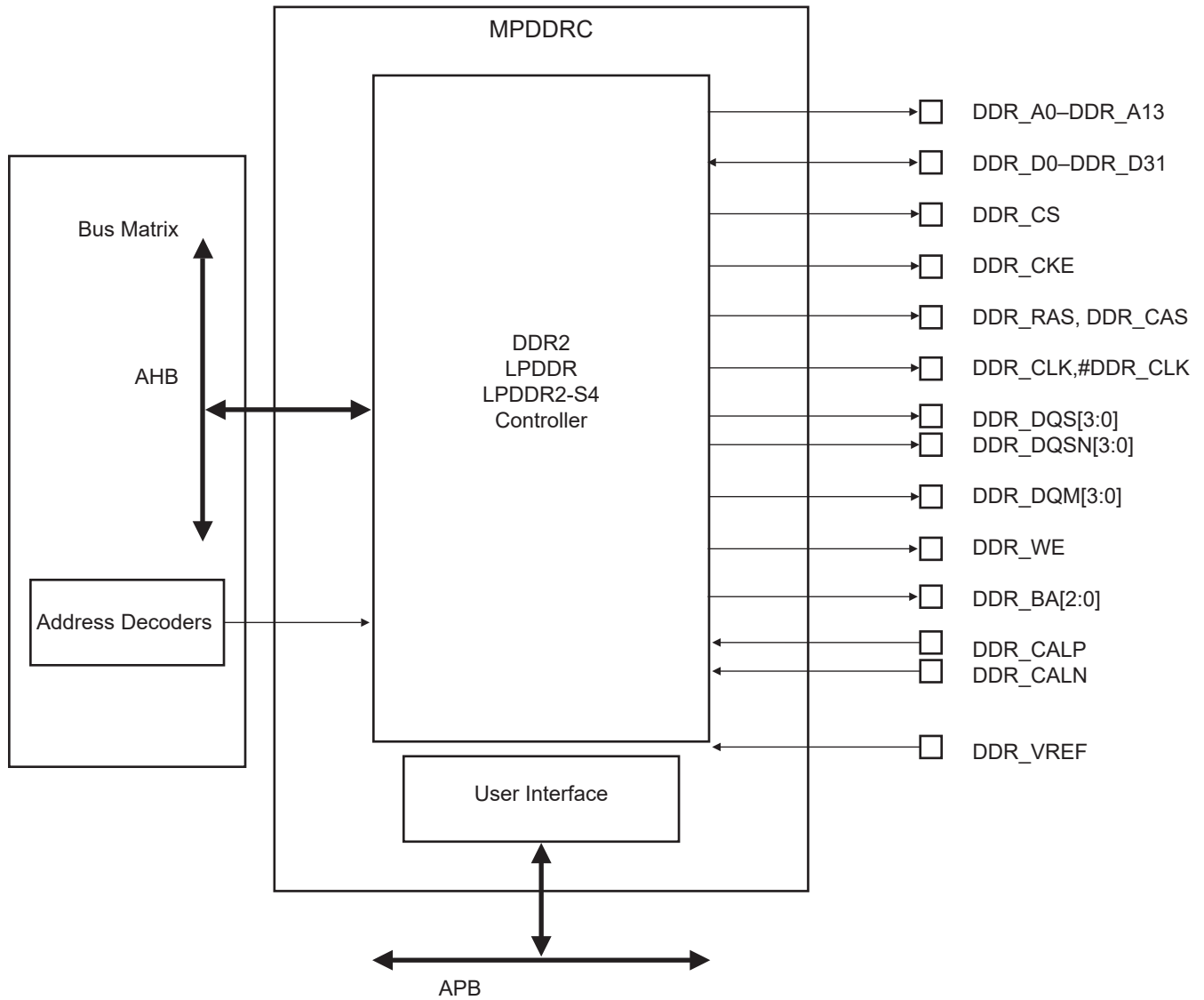
The DDR2 Controller is dedicated to 8-port DDR2/LPDDR/LPDDR2 support. Data transfers are performed through a 32-bit data bus on one chip select. The Controller operates with 1.8V Power Supply for DDR2 and LPDDR, 1.2V Power Supply for LPDDR2.

For full details, see [Section 29. Multi-port DDR-SDRAM Controller \(MPDDRC\)](#).

SAMA5D3 SERIES

28.1.2 MPDDR Controller Block Diagram

Figure 28-2: Organization of the MPDDRC



28.1.3 I/O Lines Description

Table 28-1: DDR2 I/O Lines Description

Name	Function	Type	Active Level
DDR2/LPDDR Controller			
VDDIODDR	Power Supply of memory interface	Input	
DDR_VREF	Reference Voltage for DDR2 operations, typically 0.9V	Input	
DDR_CALP	Pad positive calibration reference for LPDDR2	Input	
DDR_CALN	Pad negative calibration reference for LPDDR2	Input	
DDR_D0–DDR_D31	Data Bus	I/O	
DDR_A0–DDR_A13	Address Bus	Output	
DDR_DQM0–DDR_DQM3	Data Mask	Output	
DDR_DQS0–DDR_DQS3	Data Strobe	Output	
DDR_DQSN0–DDR_DQSN3	Negative Data Strobe	Output	
DDR_CS	Chip Select	Output	Low
DDR_CLK–DDR_CLK#	DDR2 Differential Clock	Output	
DDR_CKE	Clock enable	Output	High
DDR_RAS	Row signal	Output	Low
DDR_CAS	Column signal	Output	Low
DDR_WE	Write enable	Output	Low
DDR_BA0–DDR_BA2	Bank Select	Output	

In LPDDR2 mode, DQS and DQSN are connected to the LPDDR2 memory.

28.1.4 Product Dependencies

The pins used for interfacing the DDR2 memory are not multiplexed with the PIO lines.

Table 28-2: DDR2 I/O Lines Usage vs Operating Modes

Signal Name	DDR2 Mode	LPDDR2 Mode	LPDDR
DDR_VREF	VDDIODDR/2	VDDIODDR/2	VDDIODDR/2
DDR_CALP	GND via 200Ω resistor	GND via 240Ω resistor	GND via 200Ω resistor
DDR_CALN	VDDIODDR via 200Ω resistor	VDDIODDR via 240Ω resistor	VDDIODDR via 200Ω resistor
DDR_CK, DDR_CKN	CLK and CLKN	CLK and CLKN	CLK and CLKN
DDR_CKE	CLKE	CLKE	CLKE
DDR_CS	CS	CS	CS
DDR_BA[2..0]	BA[2..0]	BA[2..0]	BA[2..0]
DDR_WE	WE	CA2	WE
DDR_RAS - DDR_CAS	RAS, CAS	CA0, CA1	RAS, CAS
DDR_A[13..0]	A[13:0]	CAX, with x>2	A[13:0]

SAMA5D3 SERIES

Table 28-2: DDR2 I/O Lines Usage vs Operating Modes (Continued)

Signal Name	DDR2 Mode	LPDDR2 Mode	LPDDR
DDR_D[31..0]	D[31:0]	D[31:0]	D[31:0]
DQS[3..0], DQSN[3..0]	DQS[3:0] DQSN connected to DDR_VREF	DQS[3:0] DQSN[3:0]	DQS[3:0] DQSN connected to DDR_VREF
DQM[3..0]	DQM[3..0]	DQM[3..0]	DQM[3..0]

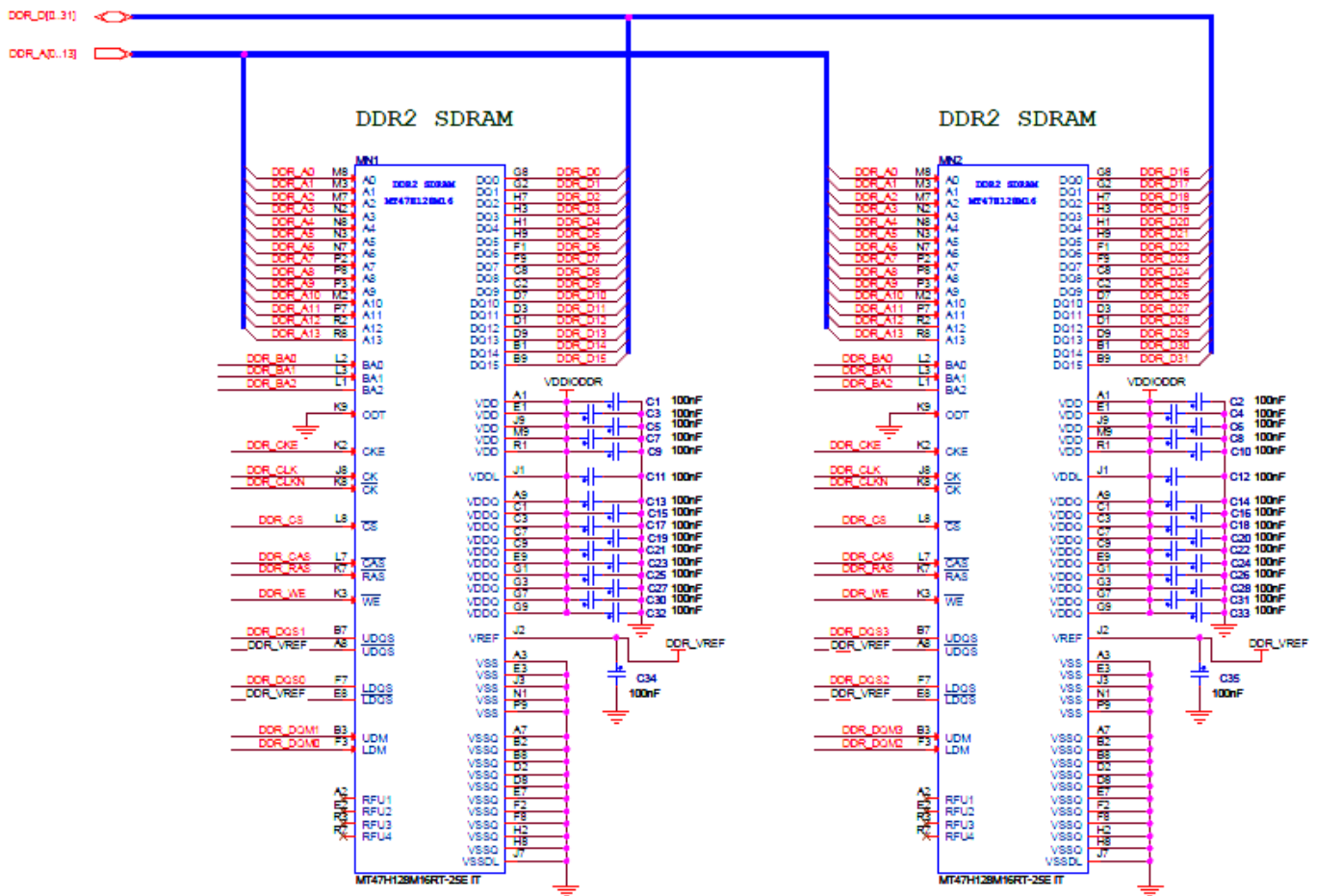
28.1.5 Implementation Example

The following hardware configuration is given for illustration only. The user should refer to the memory manufacturer web site to check current device availability.

28.1.5.1 2x16-bit DDR2

- Hardware Configuration

Figure 28-3: 2x16-bit DDR2 Hardware Configuration



- Software Configuration

The following configuration has to be performed:

- Initialize the DDR2 Controller depending on the DDR2 device and system bus frequency.

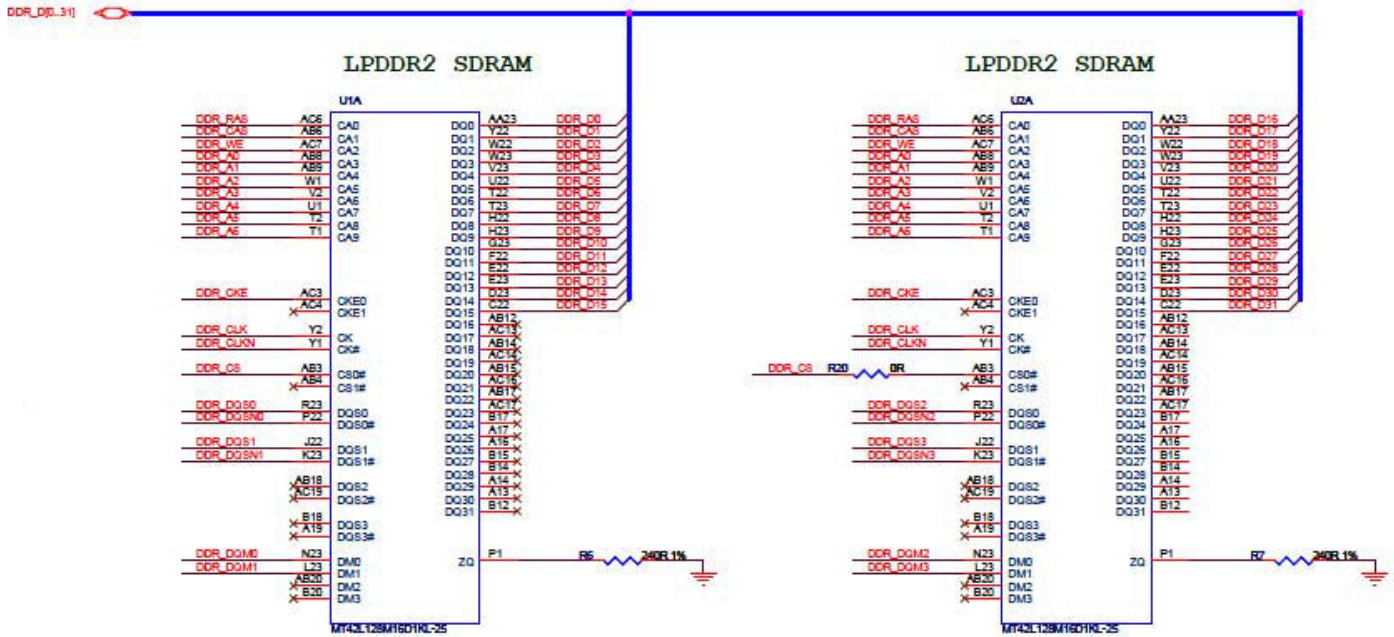
The DDR2 initialization sequence is described in [Section 29.4.2 DDR2-SDRAM Initialization](#).

SAMA5D3 SERIES

28.1.5.2 2x16-bit LPDDR2

- Hardware Configuration

Figure 28-4: 2x16-bit LPDDR2 Hardware Configuration



CAs LPDDR2 signals are to be connected as indicated in Table 28-3.

Table 28-3: CAx LPDDR2 Signal Connection

DDR Controller Signal	LPDDR2 Signal
RAS	CA0
CAS	CA1
WE	CA2
DDR_A0	CA3
DDR_A1	CA4
DDR_A2	CA5
DDR_A3	CA6
DDR_A4	CA7
DDR_A5	CA8
DDR_A6	CA9
Higher addresses	Higher CAs

- Software Configuration

The following configuration has to be performed:

- Initialize the DDR2 Controller depending on the LPDDR2 device and system bus frequency.

The DDR2 initialization sequence is described in Section 29.4.3 Low-power DDR2-SDRAM Initialization.

28.2 External Bus Interface (EBI)

28.2.1 Description

The External Bus Interface is designed to ensure the successful data transfer between several external devices and the ARM processor-based device. The External Bus Interface of the device consists of a Static Memory Controller (SMC).

This SMC is capable of handling several types of external memory and peripheral devices, such as SRAM, PSRAM, PROM, EPROM, EEPROM, LCD Module, NOR Flash and NAND Flash.

The SMC generates the signals that control the access to external memory devices or peripheral devices. It has four Chip Selects and a 26-bit address bus. The 16-bit data bus can be configured to interface with 8- or 16-bit external devices. Separate read and write control signals allow for direct memory and peripheral interfacing. Read and write signal waveforms are fully configurable.

The SMC can manage wait requests from external devices to extend the current access. The SMC is provided with an automatic slow clock mode. In slow clock mode, it switches from user-programmed waveforms to slow-rate specific waveforms on read and write signals.

The SMC embeds a NAND Flash Controller (NFC). The NFC can handle automatic transfers, sending the commands and address cycles to the NAND Flash and transferring the contents of the page (for read and write) to the NFC SRAM. It minimizes the CPU overhead.

The SMC includes programmable hardware error correcting code with one-bit error correction capability and supports two-bit error detection. In order to improve the overall system performance, the DATA phase of the transfer can be DMA-assisted. The External Data Bus can be scrambled/unscrambled by means of user keys.

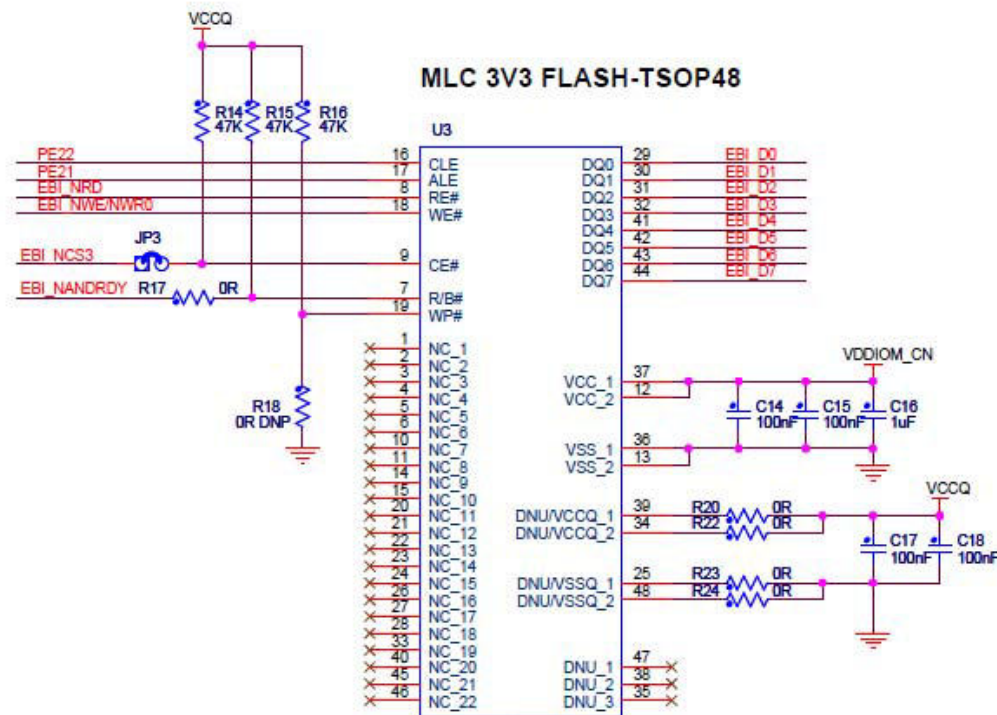
The full description is available in [Section 30. Static Memory Controller \(SMC\)](#).

28.2.2 Implementation Examples

The following hardware configurations are given for illustration only. The user should refer to the memory manufacturer web site to check current device availability.

28.2.2.1 8-bit NAND Flash

- Hardware Configuration



- Software Configuration

The following configuration has to be performed:

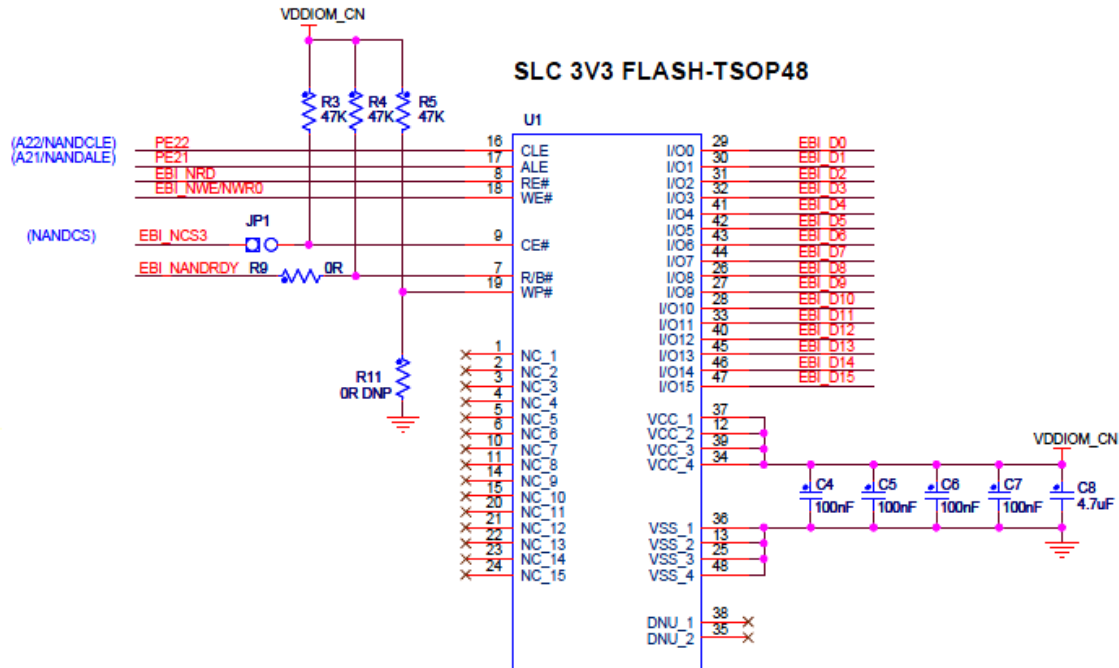
- Select the NAND Flash Chip Select by setting the field CSID in the [NFC Address Command](#) register.

SAMA5D3 SERIES

- Configure the NFC and SMC according to the used NAND Flash.
- Enable the NFC with NFCEN bit in the [NFC Control Register](#).
- Reserve A21/A22 for ALE/CLE functions. Address and Command Latches are controlled respectively by setting to 1 the address bits A21 and A22 during accesses.
- Configure a PIO line as an input to manage the Ready/Busy signal.
- Configure Static Memory Controller CS3 Setup, Pulse, Cycle and Mode accordingly to NAND Flash timings, the data bus width and the system bus frequency.

28.2.2.2 16-bit NAND Flash

- Hardware Configuration

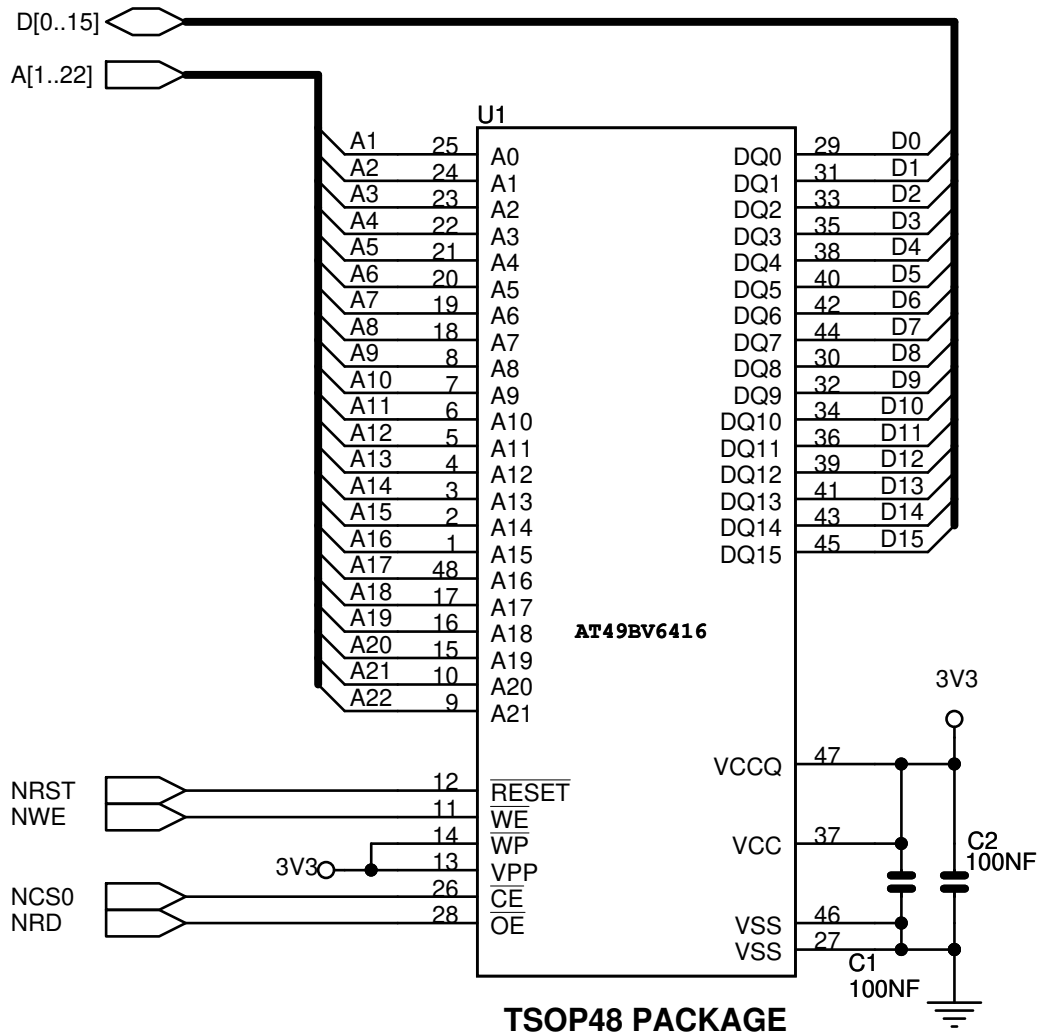


- Software Configuration

The software configuration is the same as for an 8-bit NAND Flash except for the data bus width programmed in the HSMC_MODE register.

28.2.2.3 NOR Flash on NCS0

- Hardware Configuration



- Software Configuration

The default configuration for the Static Memory Controller, byte select mode, 16-bit data bus, Read/Write controlled by Chip Select, allows boot on 16-bit non-volatile memory at slow clock.

For another configuration, configure the Static Memory Controller CS0 Setup, Pulse, Cycle and Mode depending on Flash timings and system bus frequency.

29. Multi-port DDR-SDRAM Controller (MPDDRC)

29.1 Description

The Multi-port DDR-SDRAM Controller (MPDDRC) is a multi-port memory controller. It comprises four slave AHB interfaces. All simultaneous accesses (four independent AHB ports) are interleaved to maximize memory bandwidth and minimize transaction latency due to DDR-SDRAM protocol.

The MPDDRC extends the memory capabilities of a chip by providing the interface to the external 32-bit DDR-SDRAM device. The page size supports ranges from 2048 to 16384 rows and from 256 to 4096 columns. It supports dword (64-bit), word (32-bit), half-word (16-bit), and byte (8-bit) accesses.

The MPDDRC supports a read or write burst length of eight locations. This enables the command and address bus to anticipate the next command, thus reducing latency imposed by the DDR-SDRAM protocol and improving the DDR-SDRAM bandwidth. Moreover, MPDDRC keeps track of the active row in each bank, thus maximizing DDR-SDRAM performance, e.g., the application may be placed in one bank and data in other banks. To optimize performance, avoid accessing different rows in the same bank. The MPDDRC supports a CAS latency of 2, 3 and optimizes the read access depending on the frequency.

Self-refresh, Power-down and Deep Power-down modes minimize the consumption of the DDR-SDRAM device.

OCD (Off-chip Driver) and ODT (On-die Termination) modes are not supported.

29.2 Embedded Characteristics

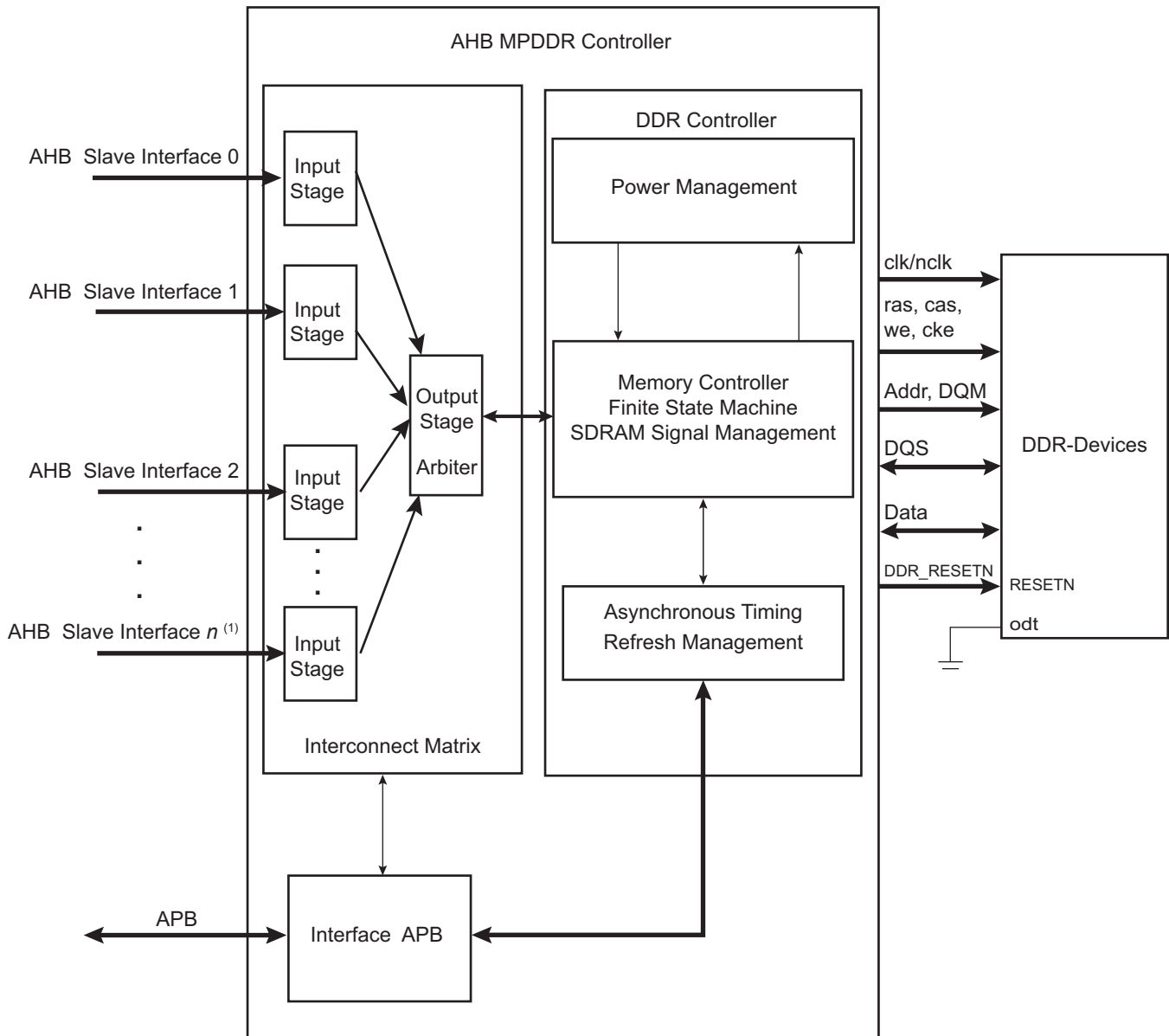
- Four advanced high performance bus (AHB) interfaces, management of all accesses maximizes memory bandwidth and minimizes transaction latency
- Bus transfer: dword, word, half word, byte access
- Supports 32-bit or 2x16-bit low-power DDR2-SDRAM-S4 (LPDDR2), DDR2-SDRAM, low-power DDR1-SDRAM (LPDDR1)
- Numerous configurations supported
 - 2K, 4K, 8K, 16K row address memory parts
 - DDR-SDRAM with two or four internal banks (low-power DDR1-SDRAM)
 - DDR-SDRAM with four or eight internal banks (DDR2-SDRAM/Low-power DDR2-SDRAM-S4)
 - DDR-SDRAM with 32-bit data path for system-oriented dword access
 - One chip select for SDRAM device (512-Mbyte address space)
- Programming Facilities
 - Multibank ping-pong access (up to four or eight banks opened at the same time = reduced average latency of transactions)
 - Timing parameters specified by software
 - Automatic refresh operation, refresh rate is programmable
 - Automatic update of DS, TCR and PASR parameters (low-power DDR-SDRAM devices)
- Energy-saving capabilities
 - Self-refresh, Power-down, Active Power-down and Deep Power-down modes supported
- DDR-SDRAM power-up initialization by software
- CAS latency of 2, 3 supported
- Reset function supported (DDR2-SDRAM)
- Auto-refresh per bank supported (low-power DDR2-SDRAM-S4)
- Automatic adjust refresh rate (low-power DDR2-SDRAM-S4)
- Auto-precharge command not used
- OCD (Off-chip Driver) mode, ODT (On-die Termination) are not supported
- Dynamic Scrambling with user key (no impact on bandwidth)

29.3 MPDDRC Module Diagram

MPDDRC is partitioned in two blocks (see [Figure 29-1](#)):

- Interconnect Matrix block that manages concurrent accesses on the AHB bus between four AHB masters and integrates an arbiter
- DDR controller that translates AHB requests (read/write) in the DDR-SDRAM protocol

Figure 29-1: MPDDRC Module Diagram



Notes: 1. “*n*” can equal 3 or 7 (value is device-specific)

29.4 Product Dependencies, Initialization Sequence

29.4.1 Low-power DDR1-SDRAM Initialization

The initialization sequence is generated by software. Before starting the initialization sequence, the user must force the DDR_DQ and DDR_DQS input buffers to ‘always on’ by setting the FDQIEN and FDQSIEN bits in the SFR_DDRCFG register. For more information, refer to [Section 15. Special Function Registers \(SFR\)](#).

The low-power DDR1-SDRAM devices are initialized by the following sequence:

1. Program the memory device type in the MPDDRC Memory Device Register (MPDDRC_MD).
2. Program the features of the low-power DDR1-SDRAM device in the MPDDRC Configuration Register (number of columns, rows,

SAMA5D3 SERIES

banks, CAS latency and output drive strength) and in the MPDDRC Timing Parameter 0 Register/MPDDRC Timing Parameter 1 Register (asynchronous timing (TRC, TRAS, etc.)).

3. Program Temperature Compensated Self-refresh (TCR), Partial Array Self-refresh (PASR) and Drive Strength (DS) parameters in the MPDDRC Low-power Register.
 4. A NOP command is issued to the low-power DDR1-SDRAM. Program the NOP command in the MPDDRC Mode Register (MPDDRC_MR). The application must write a 1 to the MODE field in the MPDDRC_MR. Read the MPDDRC_MR and add a memory barrier assembler instruction just after the read. Perform a write access to any low-power DDR1-SDRAM address to acknowledge this command. The clocks which drive the low-power DDR1-SDRAM device are now enabled.
 5. A pause of at least 200 μ s must be observed before a signal toggle.
 6. A NOP command is issued to the low-power DDR1-SDRAM. Program the NOP command in the MPDDRC_MR. The application must write a 1 to the MODE field in the MPDDRC_MR. Read the MPDDRC_MR and add a memory barrier assembler instruction just after the read. Perform a write access to any low-power DDR1-SDRAM address to acknowledge this command. A calibration request is now made to the I/O pad.
 7. An All Banks Precharge command is issued to the low-power DDR1-SDRAM. Program All Banks Precharge command in the MPDDRC_MR. The application must write a 2 to the MODE field in the MPDDRC_MR. Read the MPDDRC_MR and add a memory barrier assembler instruction just after the read. Perform a write access to any low-power DDR1-SDRAM address to acknowledge this command.
 8. Two auto-refresh (CBR) cycles are provided. Program the Auto Refresh command (CBR) in the MPDDRC_MR. The application must write a 4 to the MODE field in the MPDDRC_MR. Read the MPDDRC_MR and add a memory barrier assembler instruction just after the read. Perform a write access to any low-power DDR1-SDRAM location twice to acknowledge these commands.
 9. An Extended Mode Register Set (EMRS) cycle is issued to program the low-power DDR1-SDRAM parameters (TCSR, PASR, DS). The application must write a 5 to the MODE field in the MPDDRC_MR. Read the MPDDRC_MR and add a memory barrier assembler instruction just after the read. Perform a write access to the SDRAM to acknowledge this command. The write address must be chosen so that signal BA[1] is set to 1 and BA[0] is set to 0. For example: with a 32-bit, 1-Gbit, low-power DDR1-SDRAM (14 rows, 10 columns, 4 banks), the SDRAM write access should be done at the address: `BASE_ADDRESS_DDR + 0x08000000`.
- Note:** This address is given as an example only. The real address depends on implementation in the product.
10. A Mode Register Set (MRS) cycle is issued to program parameters of the low-power DDR1-SDRAM devices, in particular CAS latency. The application must write a 3 to the MODE field in the MPDDRC_MR. Read the MPDDRC_MR and add a memory barrier assembler instruction just after the read. Perform a write access to the low-power DDR1-SDRAM to acknowledge this command. The write address must be chosen so that signals BA[1:0] are set to 0. For example, the SDRAM write access should be done at the address: `BASE_ADDRESS_DDR`.
 11. The application must enter Normal mode, write a zero to the MODE field in the MPDDRC_MR. Read the MPDDRC_MR and add a memory barrier assembler instruction just after the read. Perform a write access at any location in the low-power DDR1-SDRAM to acknowledge this command.
 12. Write the refresh rate into the COUNT field in the MPDDRC Refresh Timer Register (MPDDRC_RTR): refresh rate = delay between refresh cycles. The low-power DDR1-SDRAM device requires a refresh every 15.625 μ s or 7.81 μ s. With a 100 MHz frequency, MPDDRC_RTR must be set with $(15.625 \times 100 \text{ MHz}) = 1562$ i.e., 0x061A or $(7.81 \times 100 \text{ MHz}) = 781$ i.e., 0x030D.

After initialization, the low-power DDR1-SDRAM device is fully functional.

29.4.2 DDR2-SDRAM Initialization

The initialization sequence is generated by software. The DDR2-SDRAM devices are initialized by the following sequence:

1. Program the memory device type in the MPDDRC Memory Device Register (MPDDRC_MD).
2. Program features of the DDR2-SDRAM device in the MPDDRC Configuration Register (number of columns, rows, banks, CAS latency and output driver impedance control) and in the MPDDRC Timing Parameter 0 Register/MPDDRC Timing Parameter 1 Register (asynchronous timing (TRC, TRAS, etc.)).
3. A NOP command is issued to the DDR2-SDRAM. Program the NOP command in the MPDDRC Mode Register (MPDDRC_MR). The application must write a 1 to the MODE field in the MPDDRC_MR. Read the MPDDRC_MR and add a memory barrier assembler instruction just after the read. Perform a write access to any DDR2-SDRAM address to acknowledge this command. The clocks which drive the DDR2-SDRAM device are now enabled.
4. A pause of at least 200 μ s must be observed before a signal toggle.
5. A NOP command is issued to the DDR2-SDRAM. Program the NOP command in the MPDDRC_MR. The application must write a 1 to the MODE field in the MPDDRC_MR. Read the MPDDRC_MR and add a memory barrier assembler instruction just after the read. Perform a write access to any DDR2-SDRAM address to acknowledge this command. CKE is now driven high.
6. An All Banks Precharge command is issued to the DDR2-SDRAM. Program All Banks Precharge command in the MPDDRC_MR. The application must write a 2 to the MODE field in the MPDDRC_MR. Read the MPDDRC_MR and add a memory barrier assem-

bler instruction just after the read. Perform a write access to any DDR2-SDRAM address to acknowledge this command.

7. An Extended Mode Register Set (EMRS2) cycle is issued to choose between commercial or high temperature operations. The application must write a 5 to the MODE field in the MPDDRC_MR. Read the MPDDRC_MR and add a memory barrier assembler instruction just after the read. Perform a write access to the DDR2-SDRAM to acknowledge this command. The write address must be chosen so that signal BA[1] is set to 1 and signal BA[0] is set to 0. For example: with a 32-bit, 1-Gbit, DDR2-SDRAM (14 rows, 10 columns, 8 banks), the SDRAM write access should be done at the address: `BASE_ADDRESS_DDR + 0x08000000`.

Note: This address is given as an example only. The real address depends on implementation in the product.

8. An Extended Mode Register Set (EMRS3) cycle is issued to set the Extended Mode Register to 0. The application must write a 5 to the MODE field in the MPDDRC_MR. Read the MPDDRC_MR and add a memory barrier assembler instruction just after the read. Perform a write access to the DDR2-SDRAM to acknowledge this command. The write address must be chosen so that signal BA[1] is set to 1 and signal BA[0] is set to 1. For example: with a 32-bit, 1-Gbit, DDR2-SDRAM (14 rows, 10 columns, 8 banks), the SDRAM write access should be done at the address: `BASE_ADDRESS_DDR + 0x0C000000`.
9. An Extended Mode Register Set (EMRS1) cycle is issued to enable DLL and to program D.I.C. (Output Driver Impedance Control). The application must write a 5 to the MODE field in the MPDDRC_MR. Read the MPDDRC_MR and add a memory barrier assembler instruction just after the read. Perform a write access to the DDR2-SDRAM to acknowledge this command. The write address must be chosen so that signal BA[1] is set to 0 and signal BA[0] is set to 1. For example: with a 32-bit, 1-Gbit, DDR2-SDRAM (14 rows, 10 columns, 8 banks), the SDRAM write access should be done at the address: `BASE_ADDRESS_DDR + 0x04000000`.
10. An additional 200 cycles of clock are required for locking DLL.
11. Write a one to the DLL bit (enable DLL reset) in the MPDDRC Configuration Register (MPDDRC_CR).
12. A Mode Register Set (MRS) cycle is issued to reset DLL. The application must write a 3 to the MODE field in the MPDDRC_MR. Read the MPDDRC_MR and add a memory barrier assembler instruction just after the read. Perform a write access to the DDR2-SDRAM to acknowledge this command. The write address must be chosen so that signals BA[1:0] are set to 0. For example, the SDRAM write access should be done at the address: `BASE_ADDRESS_DDR`.
13. An All Banks Precharge command is issued to the DDR2-SDRAM. Program the All Banks Precharge command in the MPDDRC_MR. The application must write a 2 to the MODE field in the MPDDRC_MR. Read the MPDDRC_MR and add a memory barrier assembler instruction just after the read. Perform a write access to any DDR2-SDRAM address to acknowledge this command.
14. Two auto-refresh (CBR) cycles are provided. Program the Auto Refresh command (CBR) in the MPDDRC_MR. The application must write a 4 to the MODE field in the MPDDRC_MR. Read the MPDDRC_MR and add a memory barrier assembler instruction just after the read. Perform a write access to any DDR2-SDRAM location twice to acknowledge these commands.
15. Write a zero to the DLL bit (disable DLL reset) in the MPDDRC_CR.
16. A Mode Register Set (MRS) cycle is issued to program parameters of the DDR2-SDRAM device, in particular CAS latency and to disable DLL reset. The application must write a 3 to the MODE field in the MPDDRC_MR. Read the MPDDRC_MR and add a memory barrier assembler instruction just after the read. Perform a write access to the DDR2-SDRAM to acknowledge this command. The write address must be chosen so that signals BA[1:0] are set to 0. For example: with a 32-bit, 1-Gbit, DDR2-SDRAM (14 rows, 10 columns, 8 banks), the SDRAM write access should be done at the address: `BASE_ADDRESS_DDR`.
17. Write a seven to the OCD field (default OCD calibration) in the MPDDRC_CR.
18. An Extended Mode Register Set (EMRS1) cycle is issued to the default OCD value. The application must write a 5 to the MODE field in the MPDDRC_MR. Read the MPDDRC_MR and add a memory barrier assembler instruction just after the read. Perform a write access to the DDR2-SDRAM to acknowledge this command. The write address must be chosen so that signal BA[1] is set to 0 and signal BA[0] is set to 1. For example: with a 32-bit, 1-Gbit, DDR2-SDRAM (14 rows, 10 columns, 8 banks), the SDRAM write access should be done at the address: `BASE_ADDRESS_DDR + 0x04000000`.
19. Write a zero to the OCD field (exit OCD calibration mode) in the MPDDRC_CR.
20. An Extended Mode Register Set (EMRS1) cycle is issued to enable OCD exit. The application must write a 5 to the MODE field in the MPDDRC_MR. Read the MPDDRC_MR and add a memory barrier assembler instruction just after the read. Perform a write access to the DDR2-SDRAM to acknowledge this command. The write address must be chosen so that signal BA[1] is set to 0 and signal BA[0] is set to 1. For example: with a 32-bit, 1-Gbit, DDR2-SDRAM (14 rows, 10 columns, 8 banks), the SDRAM write access should be done at the address: `BASE_ADDRESS_DDR + 0x04000000`.
21. A Normal Mode command is provided. Program the Normal mode in the MPDDRC_MR. Read the MPDDRC_MR and add a memory barrier assembler instruction just after the read. Perform a write access to any DDR2-SDRAM address to acknowledge this command.
22. Write the refresh rate into the COUNT field in the MPDDRC Refresh Timer Register (MPDDRC_RTR): $\text{refresh rate} = \text{delay between refresh cycles}$. The DDR2-SDRAM device requires a refresh every 15.625 μs or 7.81 μs . With a 133 MHz frequency, the COUNT field in the MPDDRC_RTR must be set with $(15.625 \times 133 \text{ MHz}) = 2079$ i.e., 0x081F or $(7.81 \times 133 \text{ MHz}) = 1039$ i.e., 0x040F.

After initialization, the DDR2-SDRAM devices are fully functional.

29.4.3 Low-power DDR2-SDRAM Initialization

The initialization sequence is generated by software. The low-power DDR2-SDRAM devices are initialized by the following sequence:

1. Program the memory device type in the MPDDRC Memory Device Register (MPDDRC_MD).
2. Program features of the low-power DDR2-SDRAM device into and in the MPDDRC Configuration Register (number of columns, rows, banks, CAS latency and output drive strength) and in the MPDDRC Timing Parameter 0 Register/MPDDRC Timing Parameter 0 Register (asynchronous timing, TRC, TRAS, etc.). If the Adjust Refresh function (register MPDDRC_RTR, bit 16) is used, the application must write a 1 to fields 17 and 16 to open the input buffers in the DDR Configuration Register SFR_DDRCCFG (see [Section 15. Special Function Registers \(SFR\)](#)).
3. A NOP command is issued to the low-power DDR2-SDRAM. Program the NOP command in the MPDDRC Mode Register (MPDDRC_MR). The application must write a 1 to the MODE field in the MPDDRC_MR. Read the MPDDRC_MR and add a memory barrier assembler instruction just after the read. Perform a write access to any low-power DDR2-SDRAM address to acknowledge this command. The clocks which drive the Low-power DDR2-SDRAM devices are now enabled.
4. A pause of at least 100 ns must be observed before a signal toggle.
5. A NOP command is issued to the low-power DDR2-SDRAM. Program the NOP command in the MPDDRC_MR. The application must write a 1 to the MODE field in the MPDDRC_MR. Read the MPDDRC_MR and add a memory barrier assembler instruction just after the read. Perform a write access to any low-power DDR2-SDRAM address to acknowledge this command. CKE is now driven high.
6. A pause of at least 200 μ s must be observed before issuing a Reset command.
7. A Reset command is issued to the low-power DDR2-SDRAM. In the MPDDRC_MR, configure the MODE field to the LPDDR2_CMD value and configure the MRS field. The application must write a 7 to the MODE field and a 63 to the MRS field. Read the MPDDRC_MR and add a memory barrier assembler instruction just after the read. Perform a write access to any low-power DDR2-SDRAM address to acknowledge this command. The Reset command is now issued.
8. A pause of at least t_{INIT5} must be observed before issuing any commands.
9. A Calibration command is issued to the low-power DDR2-SDRAM. Program the type of calibration in the MPDDRC Configuration Register (MPDDRC_CR): set the ZQ field to the RESET value. In the MPDDRC_MR, configure the MODE field to the LPDDR2_CMD value and configure the MRS field. The application must write a 7 to the MODE field and a 10 to the MRS field. Read the MPDDRC_MR and add a memory barrier assembler instruction just after the read. Perform a write access to any low-power DDR2-SDRAM address to acknowledge this command. The ZQ Calibration command is now issued. Program the type of calibration in the MPDDRC_CR: set the ZQ field to the SHORT value.
10. A Mode Register Write command is issued to the low-power DDR2-SDRAM. In the MPDDRC_MR, configure the MODE field to the LPDDR2_CMD value and configure the MRS field. The application must write a 7 to the MODE field and a one to the MRS field. Read the MPDDRC_MR and add a memory barrier assembler instruction just after the read. Perform a write access to any low-power DDR2-SDRAM address to acknowledge this command. The Mode Register Write command is now issued.
11. A Mode Register Write command is issued to the low-power DDR2-SDRAM. In the MPDDRC_MR, configure the MODE field to the LPDDR2_CMD value and configure the MRS field. The application must write a 7 to the MODE field and a two to the MRS field. The Mode Register Write command cycle is issued to program parameters of the low-power DDR2-SDRAM device, in particular CAS latency. Read the MPDDRC_MR and add a memory barrier assembler instruction just after the read. Perform a write access to any low-power DDR2-SDRAM address to acknowledge this command. The Mode Register Write command is now issued.
12. A Mode Register Write command is issued to the low-power DDR2-SDRAM. In the MPDDRC_MR, configure the MODE field to the LPDDR2_CMD value and configure the MRS field. The application must write a 7 to the MODE field and a three to the MRS field. The Mode Register Write command cycle is issued to program parameters of the low-power DDR2-SDRAM device, in particular Drive Strength and Slew Rate. Read the MPDDRC_MR and add a memory barrier assembler instruction just after the read. Perform a write access to any low-power DDR2-SDRAM address to acknowledge this command. The Mode Register Write command is now issued.
13. A Mode Register Write command is issued to the low-power DDR2-SDRAM. In the MPDDRC_MR configure the MODE field to the LPDDR2_CMD value and configure the MRS field. The application must write a 7 to the MODE field and a 16 to the MRS field. Mode Register Write command cycle is issued to program parameters of the low-power DDR2-SDRAM device, in particular Partial Array Self Refresh (PASR). Read the MPDDRC_MR and add a memory barrier assembler instruction just after the read. Perform a write access to any low-power DDR2-SDRAM address to acknowledge this command. The Mode Register Write command is now issued.
14. A Normal Mode command is provided. Program the Normal mode in the MPDDRC_MR. Read the MPDDRC_MR and add a memory barrier assembler instruction just after the read. Perform a write access to any low-power DDR2-SDRAM address to acknowledge this command.
15. In the DDR configuration Register (SFR_DDRCCFG), the application must write a 0 to fields 17 and 16 to close the input buffers. The buffers are then driven by the HMPDDRC controller.
16. Write the refresh rate into the COUNT field in the MPDDRC Refresh Timer Register (MPDDRC_RTR): refresh rate = delay between

refresh cycles. The low-power DDR2-SDRAM device requires a refresh every 7.81 μ s. With a 133 MHz frequency, the COUNT field in the MPDDRC_RTR must be set with $(7.81 \times 133 \text{ MHz}) = 1039$ i.e., 0x040F.

After initialization, the low-power DDR2-SDRAM devices are fully functional.

29.5 Functional Description

29.5.1 DDR-SDRAM Controller Write Cycle

The MPDDRC provides burst access or single access in Normal mode (MPDDRC_MR.MODE = 0). Whatever the access type, the MPDDRC keeps track of the active row in each bank, thus maximizing performance.

The DDR-SDRAM device is programmed with a burst length (bl) equal to 8. This determines the length of a sequential data input by the write command that is set to 8. The latency from write command to data input depends on the memory type, as shown in [Table 29-1](#).

Table 29-1: CAS Write Latency

Memory Devices	CAS Write Latency (CWL)
Low-power DDR1-SDRAM	1
Low-power DDR2-SDRAM	1
DDR2-SDRAM	2
Low-power DDR3-SDRAM	1/3

To initiate a single access, the MPDDRC checks if the page access is already open. If row/bank addresses match with the previous row/bank addresses, the controller generates a write command. If the bank addresses are not identical or if bank addresses are identical but the row addresses are not identical, the controller generates a precharge command, activates the new row and initiates a write command. To comply with DDR-SDRAM timing parameters, additional clock cycles are inserted between precharge/active (t_{RP}) commands and active/write (t_{RCD}) command. As the burst length is set to 8, in case of single access, it has to stop the burst, otherwise seven invalid values may be written. In case of the DDR-SDRAM device, the burst stop command is not supported for the burst write operation. Thus, in order to interrupt the write operation, the DM (data mask) input signal must be set to 1 to mask invalid data (see [Figure 29-2](#) and [Figure 29-4](#)), and DQS must continue to toggle.

To initiate a burst access, the MPDDRC uses the transfer type signal provided by the master requesting the access. If the next access is a sequential write access, writing to the DDR-SDRAM device is carried out. If the next access is a write non-sequential access, then an automatic access break is inserted, the MPDDRC generates a precharge command, activates the new row and initiates a write command. To comply with DDR-SDRAM timing parameters, additional clock cycles are inserted between precharge/active (t_{RP}) commands and active/write (t_{RCD}) commands.

For the definition of timing parameters, refer to [Section 29.7.4 MPDDRC Timing Parameter 0 Register](#).

Write accesses to the DDR-SDRAM device are burst oriented and the burst length is programmed to 8. It determines the maximum number of column locations that can be accessed for a given write command. When the write command is issued, eight columns are selected. All accesses for that burst take place within these eight columns, thus the burst wraps within these eight columns if a boundary is reached. These eight columns are selected by `addr[13:3]`. `addr[2:0]` is used to select the starting location within the block.

In case of incrementing burst (INCR/INCR4/INCR8/INCR16), the addresses can cross the 16-byte boundary of the DDR-SDRAM device. For example, when a transfer (INCR4) starts at address 0x0C, the next access is 0x10, but since the burst length is programmed to 8, the next access is at 0x00. Since the boundary is reached, the burst is wrapped. The MPDDRC takes this feature of the DDR-SDRAM device into account. In case of a transfer starting at address 0x04/0x08/0x0C or starting at address 0x10/0x14/0x18/0x1C, two write commands are issued to avoid wrapping when the boundary is reached. The last write command is subject to DM input logic level. If DM is registered high, the corresponding data input is ignored and the write access is not done. This avoids additional writing.

Figure 29-2: Single Write Access, Row Closed, DDR-SDRAM Devices

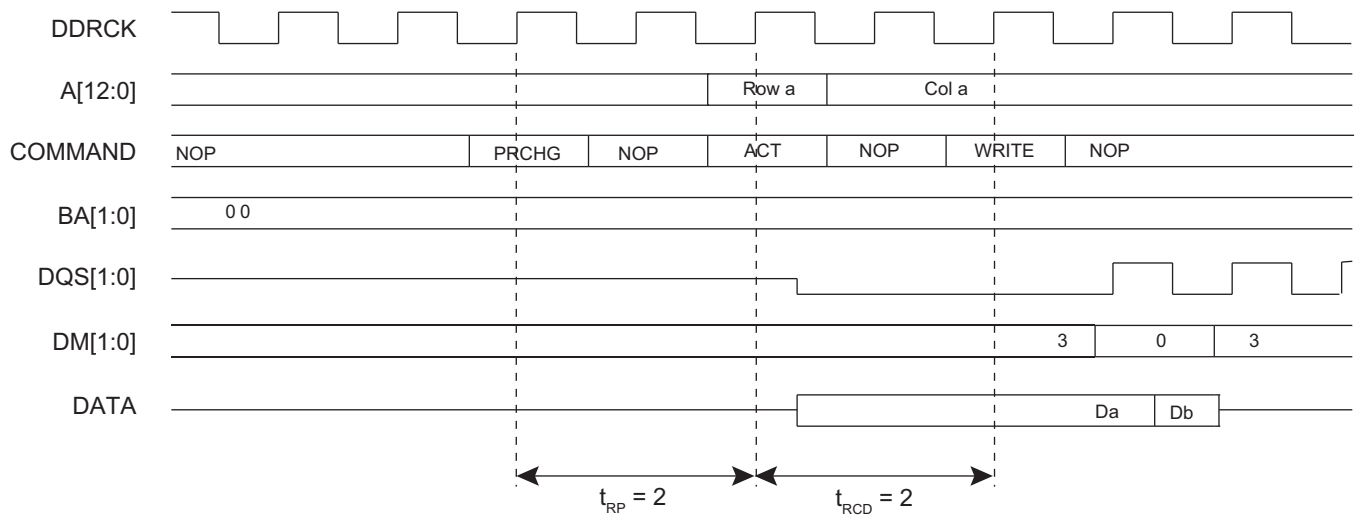


Figure 29-3: Single Write Access, Row Closed, DDR2-SDRAM Devices

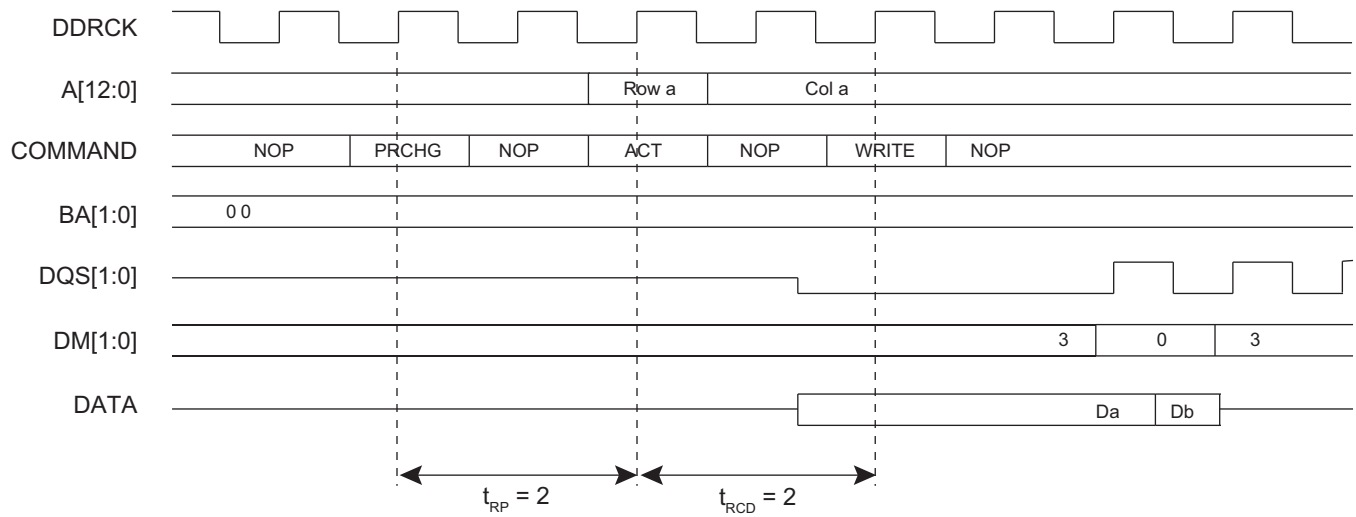


Figure 29-4: Burst Write Access, Row Closed, DDR-SDRAM Devices

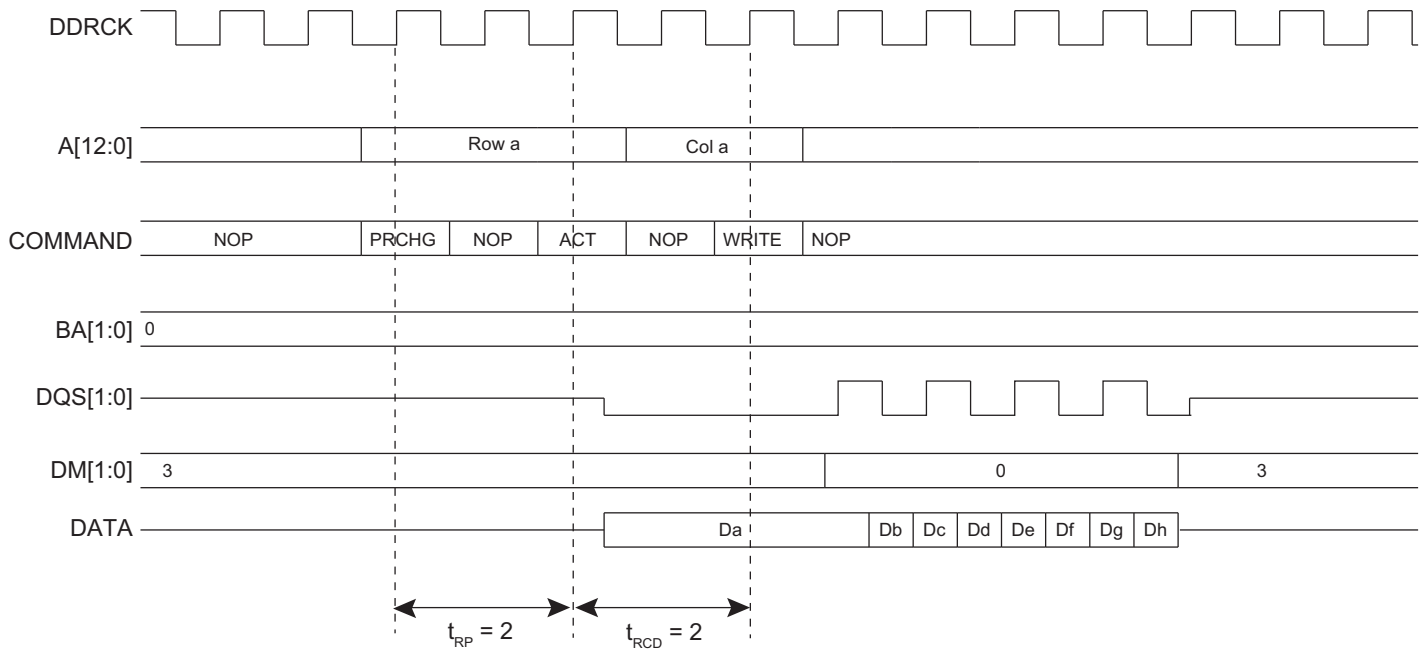
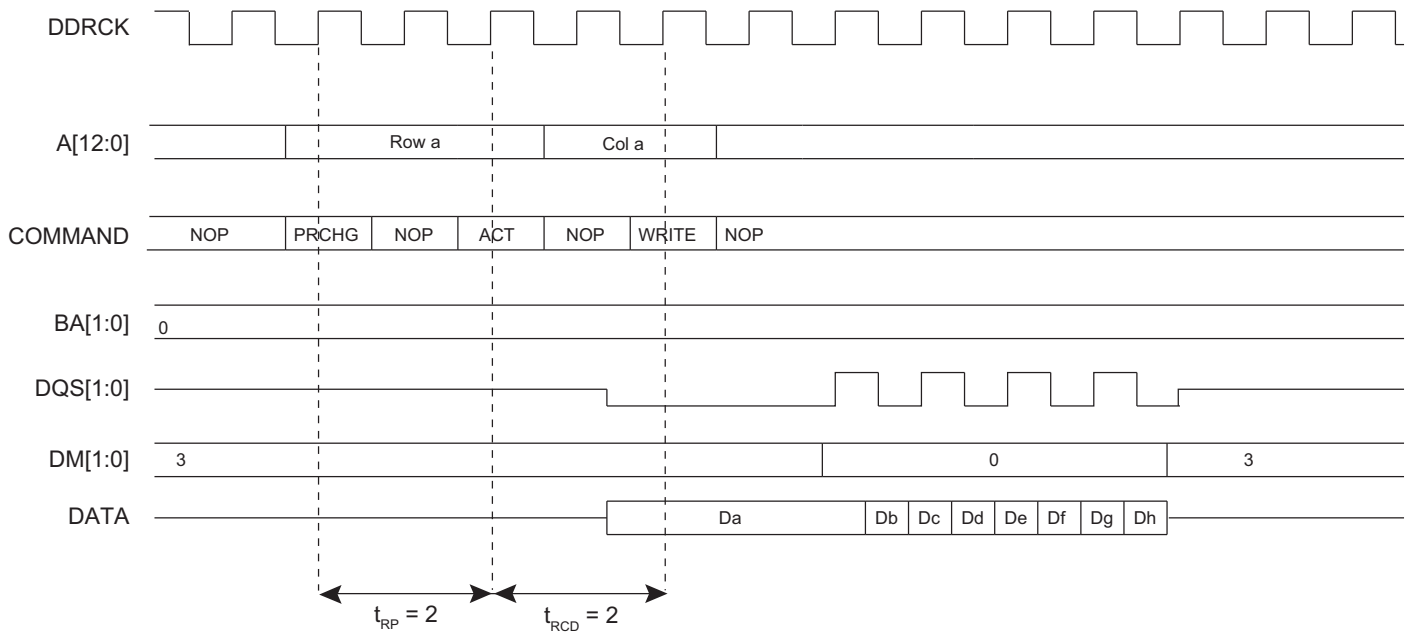


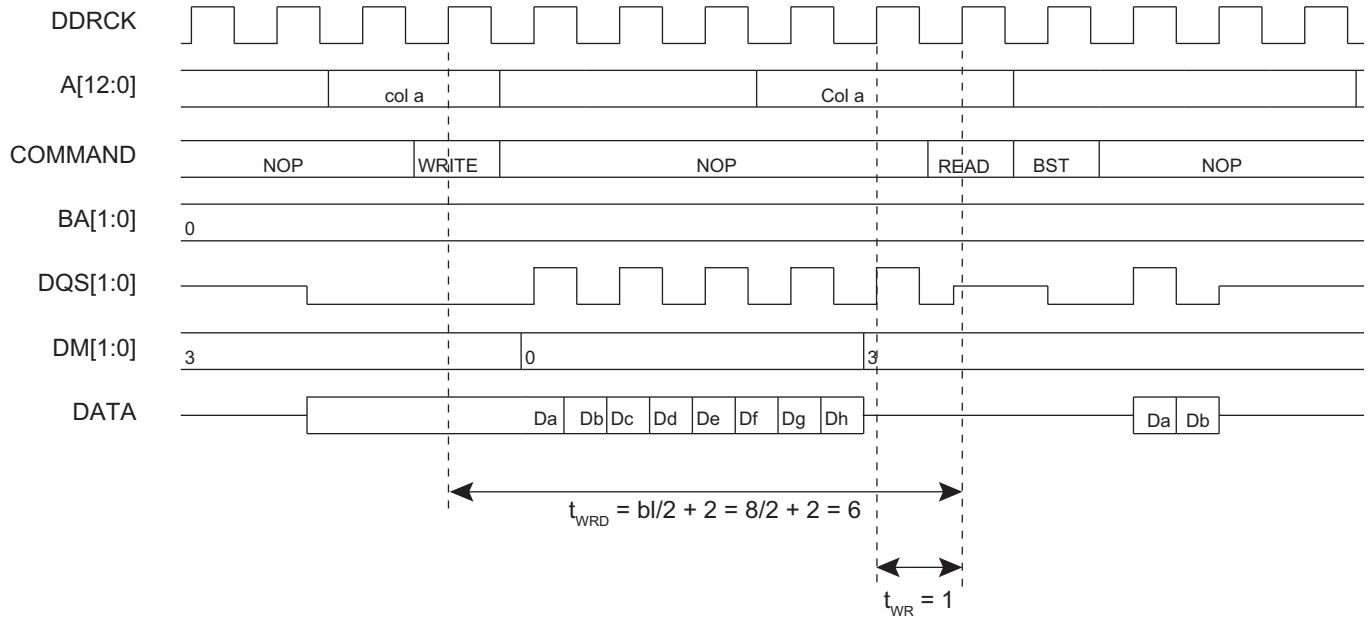
Figure 29-5: Burst Write Access, Row Closed, DDR2-SDRAM Devices



A write command can be followed by a read command. To avoid breaking the current write burst, t_{WTR}/t_{WRD} ($bl/2 + 2 = 6$ cycles) should be met. See [Figure 29-6](#).

SAMA5D3 SERIES

Figure 29-6: Write Command Followed by a Read Command without Burst Write Interrupt, DDR-SDRAM Devices



In case of a single write access, write operation should be interrupted by a read access but DM must be input 1 cycle prior to the read command to avoid writing invalid data. See [Figure 29-7](#).

Figure 29-7: SINGLE Write Access Followed by a Read Access, DDR-SDRAM Devices

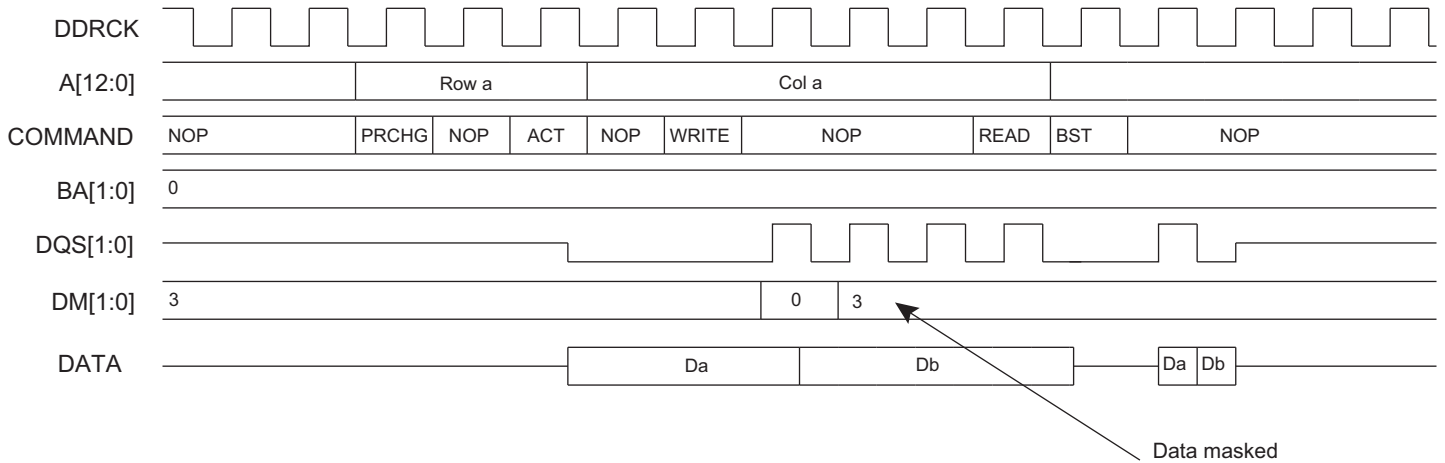
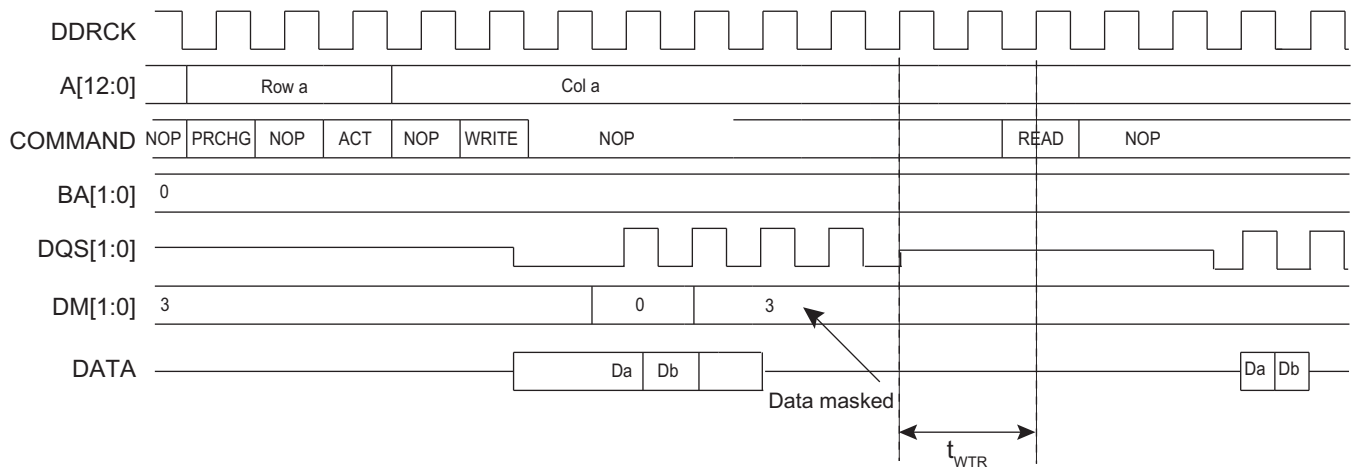


Figure 29-8: SINGLE Write Access Followed by a Read Access, DDR2-SDRAM Devices



29.5.2 DDR-SDRAM Controller Read Cycle

The MPDDRC provides burst access or single access in Normal mode (MPDDRC_MR.MODE = 0). Whatever the access type, the MPDDRC keeps track of the active row in each bank, thus maximizing performance of the MPDDRC.

The DDR-SDRAM devices are programmed with a burst length equal to 8 which determines the length of a sequential data output by the read command that is set to 8. The latency from read command to data output depends on the memory type, as shown in [Table 29-2](#). This value is programmed during the initialization phase (see [Section 29.4 Product Dependencies, Initialization Sequence](#)).

Table 29-2: CAS Read Latency

Memory Devices	CAS Read Latency
Low-power DDR1-SDRAM	2/3
Low-power DDR2-SDRAM	3
DDR2-SDRAM	3
Low-power DDR3-SDRAM	3/6

To initiate a single access, the MPDDRC checks if the page access is already open. If row/bank addresses match with the previous row/bank addresses, the controller generates a read command. If the bank addresses are not identical or if bank addresses are identical but the row addresses are not identical, the controller generates a precharge command, activates the new row and initiates a read command. To comply with DDR-SDRAM timing parameters, additional clock cycles are inserted between precharge/active (t_{RP}) commands and active/read (t_{RCD}) command. After a read command, additional wait states are generated to comply with CAS latency. The MPDDRC supports a CAS latency of two to three (2 to 3 clock cycle delay). As the burst length is set to 8, in case of a single access or a burst access inferior to 8 data requests, it has to stop the burst, otherwise an additional seven or X values could be read. The Burst Stop command (BST) is used to stop output during a burst read. If the DDR2-SDRAM Burst Stop command is not supported by the JEDEC® standard, in a single read access, an additional seven unwanted data will be read.

To initiate a burst access, the MPDDRC checks the transfer type signal. If the next accesses are sequential read accesses, reading to the SDRAM device is carried out. If the next access is a read non-sequential access, then an automatic page break can be inserted. If the bank addresses are not identical or if bank addresses are identical but the row addresses are not identical, the controller generates a precharge command, activates the new row and initiates a read command. If page access is already open, a read command is generated.

To comply with DDR-SDRAM timing parameters, additional clock cycles are inserted between precharge/active (t_{RP}) commands and active/read (t_{RCD}) commands. The MPDDRC supports a CAS latency of two to three (2 to 3 clocks delay). During this delay, the controller uses internal signals to anticipate the next access and improve the performance of the controller. Depending on the latency, the MPDDRC anticipates two to three read accesses. In case of burst of specified length, accesses are not anticipated, but if the burst is broken (border, Busy mode, etc.), the next access is treated as an incrementing burst of unspecified length, and depending on the latency, the MPDDRC anticipates two to three read accesses.

For the definition of timing parameters, refer to [Section 29.7.3 MPDDRC Configuration Register](#).

SAMA5D3 SERIES

Read accesses to the DDR-SDRAM are burst oriented and the burst length is programmed to 8. The burst length determines the maximum number of column locations that can be accessed for a given read command. When the read command is issued, eight columns are selected. All accesses for that burst take place within these eight columns, meaning that the burst wraps within these eight columns if the boundary is reached. These eight columns are selected by $addr[13:3]$; $addr[2:0]$ is used to select the starting location within the block.

In case of incrementing burst (INCR/INCR4/INCR8/INCR16), the addresses can cross the 16-byte boundary of the DDR-SDRAM device. For example, when a transfer (INCR4) starts at address 0x0C, the next access is 0x10, but since the burst length is programmed to 8, the next access is 0x00. Since the boundary is reached, the burst wraps. The MPDDRC takes into account this feature of the SDRAM device. In case of the DDR-SDRAM device, transfers start at address 0x04/0x08/0x0C. Two read commands are issued to avoid wrapping when the boundary is reached. The last read command may generate additional reading (1 read cmd = 4 DDR words).

To avoid additional reading, it is possible to use the burst stop command to truncate the read burst and to decrease power consumption. The DDR2-SDRAM devices do not support the burst stop command.

Figure 29-9: Single Read Access, Row Closed, Latency = 2, DDR-SDRAM Devices

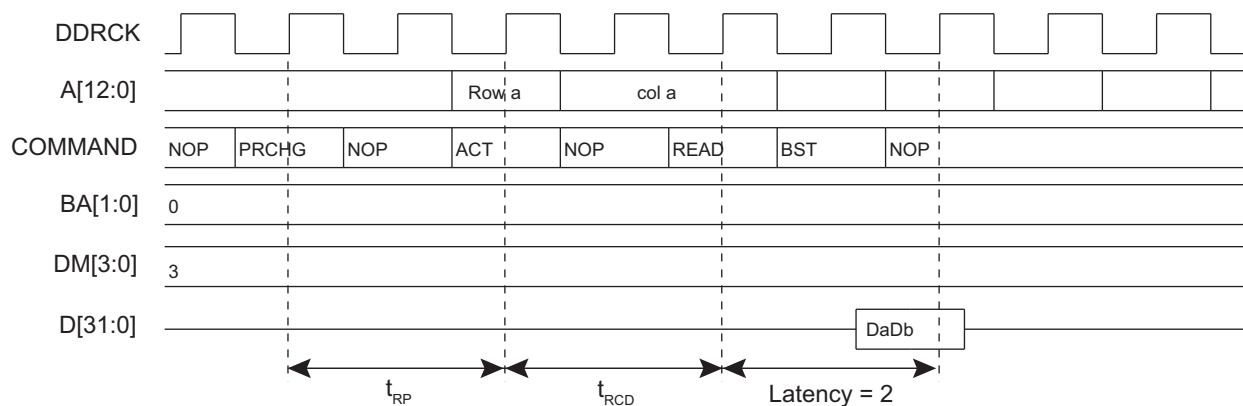


Figure 29-10: Single Read Access, Row Closed, Latency = 3, DDR2-SDRAM Devices

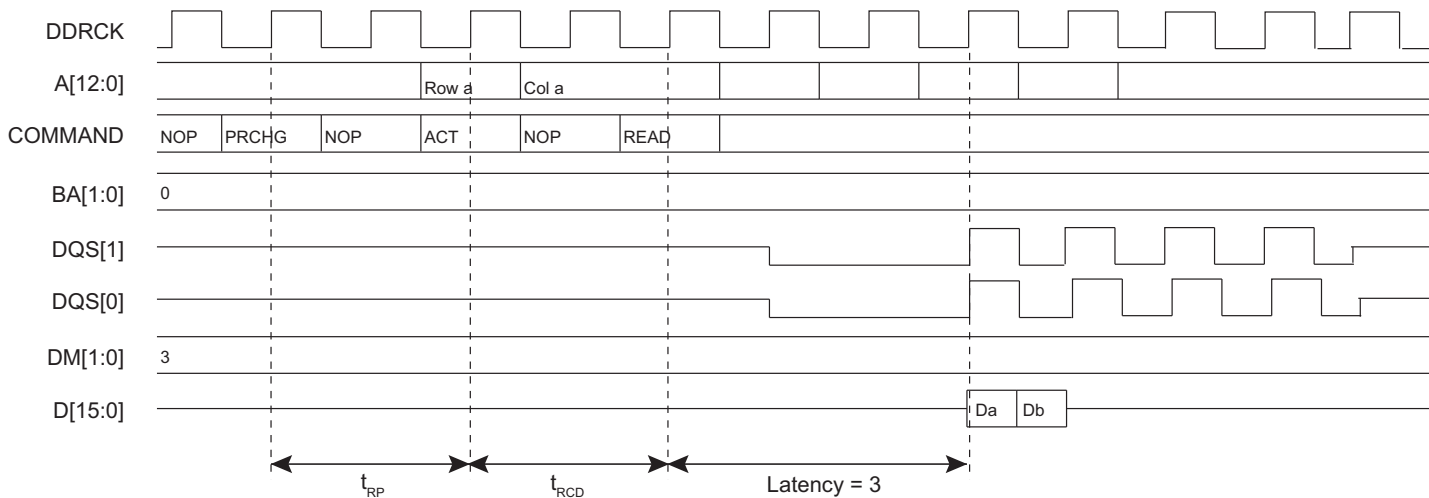


Figure 29-11: Burst Read Access, Latency = 2, DDR-SDRAM Devices

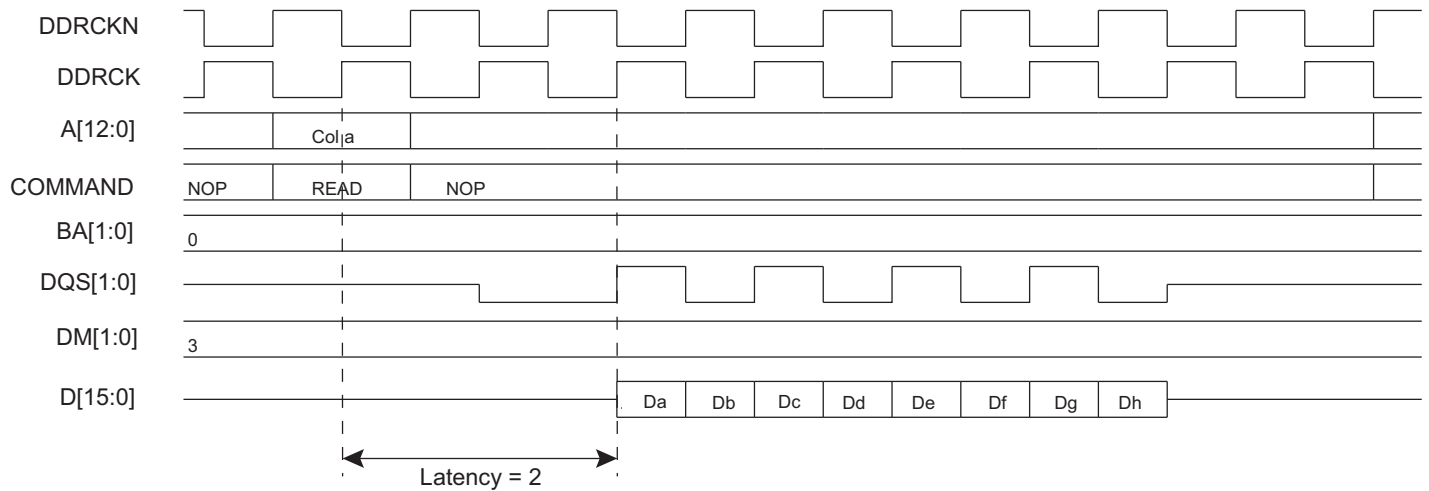
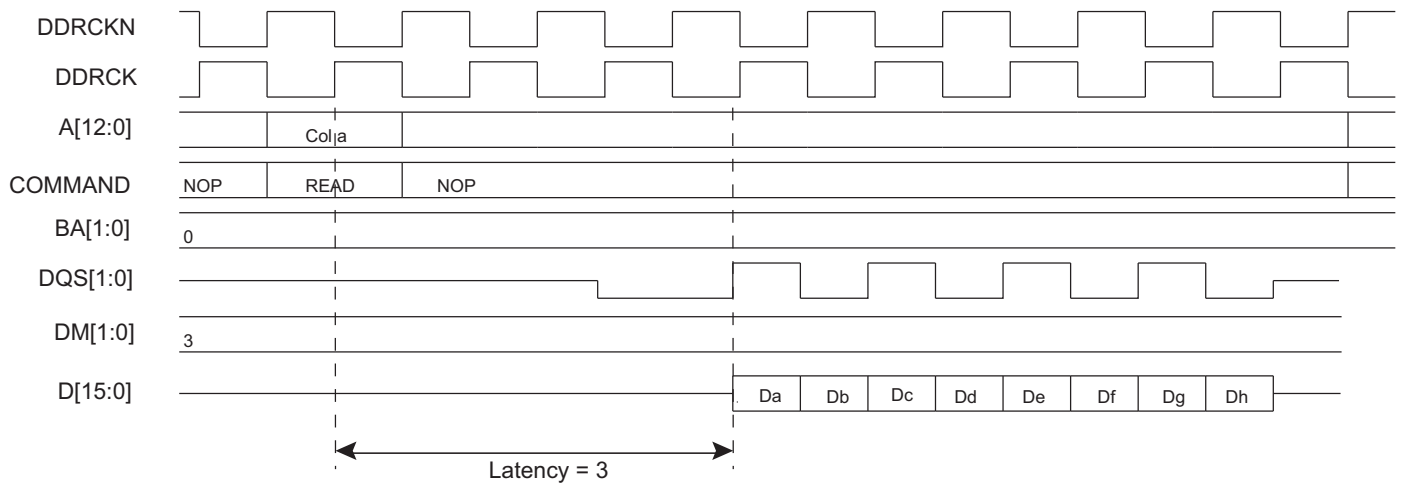


Figure 29-12: Burst Read Access, Latency = 3, DDR2-SDRAM Devices



29.5.2.1 All Banks Auto Refresh

The All Banks Auto Refresh command performs a refresh operation on all banks. An auto refresh command is used to refresh the external device. Refresh addresses are generated internally by the DDR-SDRAM device and incremented after each auto-refresh automatically. The MPDDRC generates these auto-refresh commands periodically. A timer is loaded in the MPDDRC_RTR with the value that indicates the number of clock cycles between refresh cycles (see [Section 29.7.2 MPDDRC Refresh Timer Register](#)). When the MPDDRC initiates a refresh of the DDR-SDRAM device, internal memory accesses are not delayed. However, if the CPU tries to access the DDR-SDRAM device, the slave indicates that the device is busy. A refresh request does not interrupt a burst transfer in progress. This feature is activated by setting Per-bank Refresh bit (REF_PB) to 0 in the MPDDRC_RTR (see [Section 29.7.2 MPDDRC Refresh Timer Register](#)).

29.5.2.2 Per-bank Auto Refresh

The low-power DDR2-SDRAM embeds a new Per-bank Refresh command which performs a refresh operation on the bank scheduled by the bank counter in the memory device. The Per-bank Refresh command is executed in a fixed sequence order of round-robin type: "0-1-2-3-4-5-6-7-0-1-...". The bank counter is automatically cleared upon issuing a RESET command or when exiting from Self-refresh mode, in order to ensure the synchronism between SDRAM memory device and the MPDDRC. The bank addressing for the Per-bank Refresh count is the same as established in the Single-bank Precharge command. This feature is activated by setting the Per-bank Refresh bit (REF_PB) to 1 in the MPDDRC_RTR (see [Section 29.7.2 MPDDRC Refresh Timer Register](#)). This feature masks the latency due to the refresh procedure. The target bank is inaccessible during the Per-bank Refresh cycle period (t_{RFpb}), however other banks within the device are accessible and may be addressed during the "Per-bank Refresh" cycle. During the REFpb operation, any bank other than the one being refreshed can be maintained in active state or accessed by a read or a write command. When the "Per-bank Refresh" cycle is completed, the affected bank will be in idle state.

SAMA5D3 SERIES

29.5.2.3 Adjust Auto Refresh Rate

The low-power DDR2-SDRAM embeds an internal register, Mode Register 19 (Refresh mode). The content of this register allows to adjust the interval of auto-refresh operations according to temperature variation. This feature is activated by setting the Adjust Refresh bit [ADJ_REF] to 1 in the MPDDRC_RTR (see [Section 29.7.2 MPDDRC Refresh Timer Register](#)). When this feature is enabled, a Mode Register Read (MRR) command is performed every $16 \times t_{REFI}$ (average time between REFRESH commands). Depending on the read value, the auto refresh interval will be modified. In case of high temperature, the interval is reduced and in case of low temperature, the interval is increased.

29.5.3 Power Management

29.5.3.1 Self-refresh Mode

This mode is activated by writing a 1 to the Low-power Command bit (LPCB) in the [MPDDRC Low-power Register](#) (MPDDRC_LPR).

Self-refresh mode is used in Power-down mode, i.e., when no access to the DDR-SDRAM device is possible. In this case, power consumption is very low. In Self-refresh mode, the DDR-SDRAM device retains data without external clocking and provides its own internal clocking, thus performing its own auto refresh cycles. During the self-refresh period, CKE is driven low. As soon as the DDR-SDRAM device is selected, the MPDDRC provides a sequence of commands and exits Self-refresh mode.

The MPDDRC re-enables Self-refresh mode as soon as the DDR-SDRAM device is not selected. It is possible to define when Self-refresh mode is to be enabled by configuring the TIMEOUT field in the MPDDRC_LPR:

- 0: Self-refresh mode is enabled as soon as the DDR-SDRAM device is not selected.
- 1: Self-refresh mode is enabled 64 clock cycles after completion of the last access.
- 2: Self-refresh mode is enabled 128 clock cycles after completion of the last access.

This controller also interfaces the low-power DDR-SDRAM. To optimize power consumption, the Low Power DDR SDRAM provides programmable self-refresh options comprised of Partial Array Self Refresh (full, half, quarter and 1/8 and 1/16 array).

Disabled banks are not refreshed in Self-refresh mode. This feature permits to reduce the self-refresh current. In case of low-power DDR1-SDRAM, the Extended Mode register controls this feature. It includes Temperature Compensated Self-refresh (TCSR) and Partial Array Self-refresh (PASR) parameters and the drive strength (DS) (see [Section 29.7.7 MPDDRC Low-power Register](#)). In case of low-power DDR2-SDRAM, the Mode Registers 16 and 17 control this feature, including PASR Bank Mask (BK_MASK) and PASR Segment Mask (SEG_MASK) parameters and drives strength (DS) (see [Section 29.7.10 MPDDRC Low-power DDR2 Low-power Register](#)). These parameters are set during the initialization phase. After initialization, as soon as the PASR/DS/TCSR fields or BK_MASK/SEG_MASK/DS are modified, the memory device Extended Mode Register or Mode Registers 3/16/17 are automatically accessed. Thus if MPDDRC does not share an external bus with another controller, PASR/DS/TCSR and BK_MASK/SEG_MASK/DS bits are updated before entering Self-refresh mode or during a refresh command. If MPDDRC does share an external bus with another controller, PASR/DS/TCSR and BK_MASK/SEG_MASK/DS bits are also updated during a pending read or write access. This type of update depends on the UPD_MR bit (see [Section 29.7.7 MPDDRC Low-power Register](#)).

The low-power DDR1-SDRAM must remain in Self-refresh mode during the minimum of TRFC periods (see [Section 29.7.5 MPDDRC Timing Parameter 1 Register](#)), and may remain in Self-refresh mode for an indefinite period.

The DDR2-SDRAM must remain in Self-refresh mode during the minimum of t_{CKE} periods (see the memory device datasheet), and may remain in Self-refresh mode for an indefinite period.

The low-power DDR2-SDRAM must remain in Self-refresh mode for the minimum of t_{CKESR} periods (see the memory device datasheet) and may remain in Self-refresh mode for an indefinite period.

Figure 29-13: Self-refresh Mode Entry, Time-out = 0

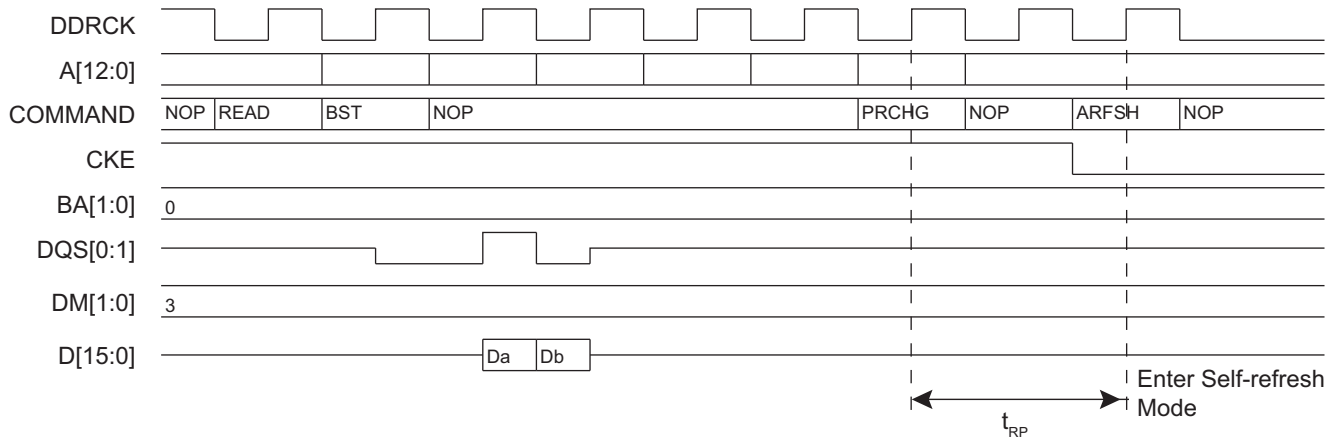


Figure 29-14: Self-refresh Mode Entry, Time-out = 1 or 2

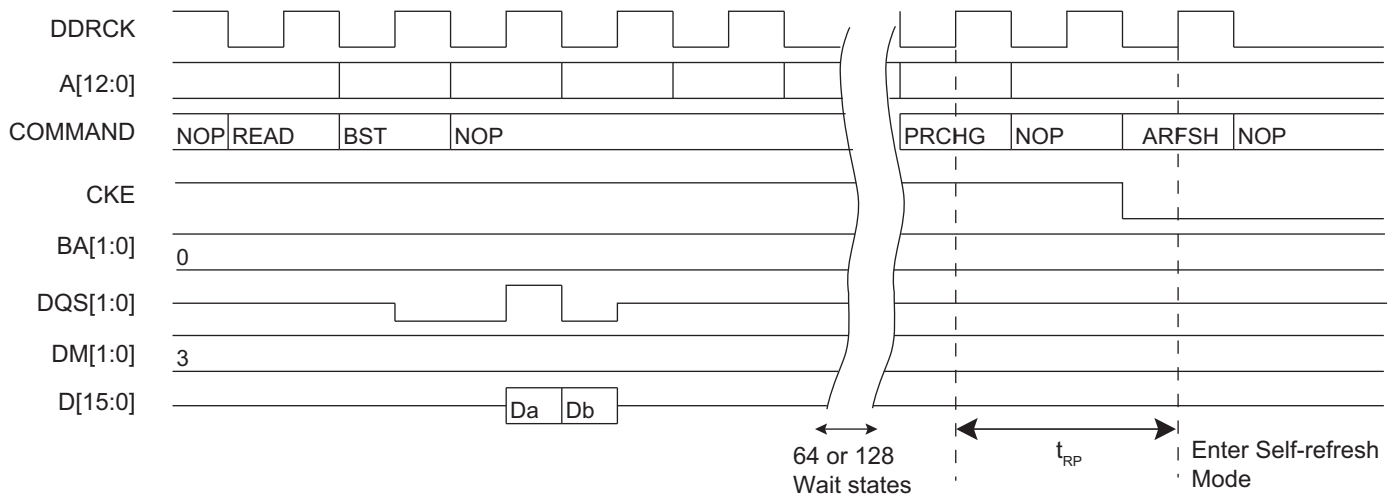
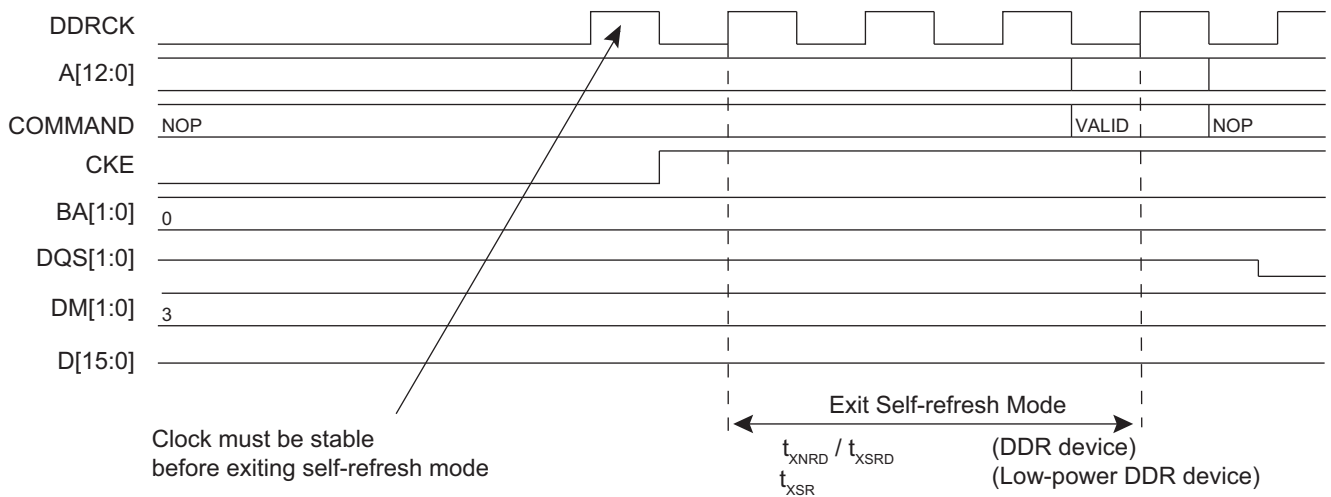


Figure 29-15: Self-refresh Mode Exit



SAMA5D3 SERIES

29.5.3.2 Power-down Mode

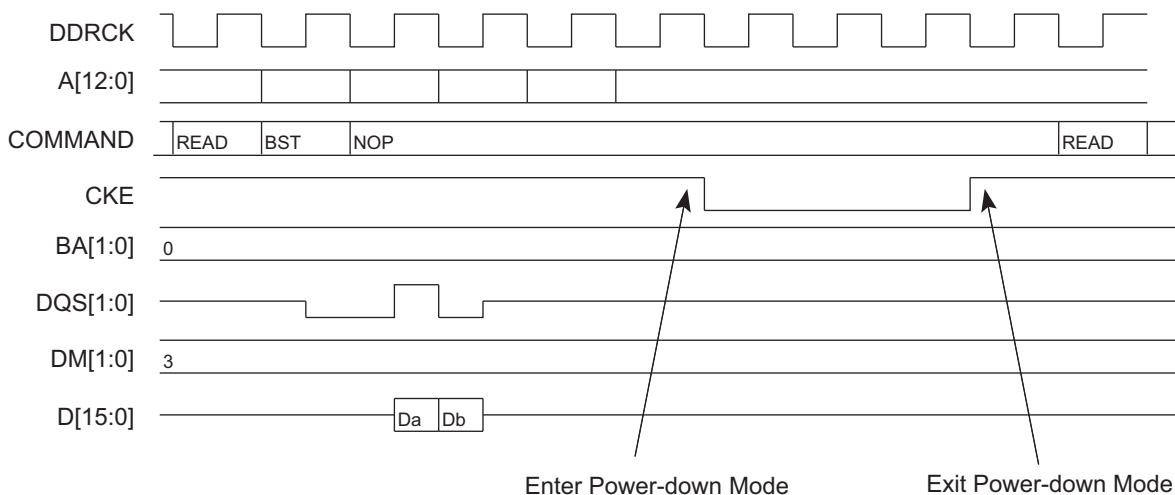
This mode is activated by writing a 10 to the Low-power Command bit (LPCB).

Power-down mode is used when no access to the DDR-SDRAM device is possible. In this mode, power consumption is greater than in Self-refresh mode. This state is similar to Normal mode (no Low-power mode/no Self-refresh mode), but the CKE pin is low and the input and output buffers are deactivated as soon the DDR-SDRAM device is no longer accessible. In contrast to Self-refresh mode, the DDR-SDRAM device cannot remain in Low-power mode longer than one refresh period (64 ms/32 ms). As no auto-refresh operations are performed in this mode, the MPDDRC carries out the refresh operation. For the low-power DDR-SDRAM devices, a NOP command must be generated for a minimum period defined in the TXP field of the MPDDRC Timing Parameter 1 Register (MPDDRC_TPR1). For DDR-SDRAM devices, a NOP command must be generated for a minimum period defined in the TXP field of MPDDRC_TPR1 (see [Section 29.7.5 MPDDRC Timing Parameter 1 Register](#)) and in the TXARD and TXARDS fields of MPDDRC_TPR2 (see [Section 29.7.6 MPDDRC Timing Parameter 2 Register](#)) for DDR2_SDRAM devices. In addition, low-power DDR-SDRAM and DDR-SDRAM must remain in Power-down mode for a minimum period corresponding to t_{CKE} , t_{PD} , etc. (see the memory device datasheet).

The exit procedure is faster than in Self-refresh mode. See [Figure 29-16](#). The MPDDRC returns to Power-down mode as soon as the DDR-SDRAM device is not selected. It is possible to define when Power-down mode is enabled by configuring the TIMEOUT field in the MPDDRC_LPR:

- 0: Power-down mode is enabled as soon as the DDR-SDRAM device is not selected.
- 1: Power-down mode is enabled 64 clock cycles after completion of the last access.
- 2: Power-down mode is enabled 128 clock cycles after completion of the last access.

Figure 29-16: Power-down Entry/Exit, Time-out = 0



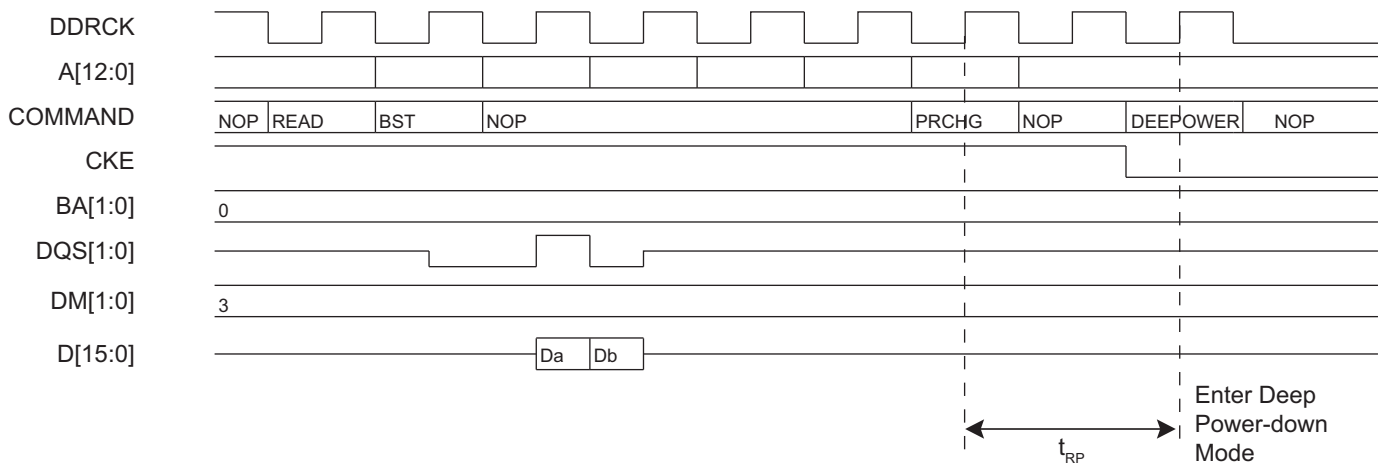
29.5.3.3 Deep Power-down Mode

The Deep Power-down mode is a feature of low-power DDR-SDRAM. When this mode is activated, all internal voltage generators inside the device are stopped and all data is lost.

Deep Power-down mode is activated by writing a 3 to the Low-power Command bit (LPCB). When this mode is enabled, the MPDDRC leaves Normal mode (MPDDRC_MR.MODE = 0) and the controller is frozen. The clock can be stopped during Deep Power-down mode by setting the CLK_FR field to 1.

Before enabling this mode, the user must make sure there is no access in progress. To exit Deep Power-down mode, the Low-power Command bit (LPCB) and clock frozen bit (CLK_FR) must be written to zero and the initialization sequence must be generated by software. See [Section 29.4.1 Low-power DDR1-SDRAM Initialization](#) or [Section 29.4.3 Low-power DDR2-SDRAM Initialization](#).

Figure 29-17: Deep Power-down Mode Entry



29.5.3.4 Reset Mode

The Reset mode is a feature of DDR2-SDRAM. This mode is activated by writing a 3 to the Low-power Command bit (LPCB) and a one to the Clock Frozen Command bit (CLK_FR) in the MPDDRC Low-power Register.

When this mode is enabled, the MPDDRC leaves Normal mode (MPDDRC_MR.MODE = 0) and the controller is frozen. Before enabling this mode, the user must make sure there is no access in progress.

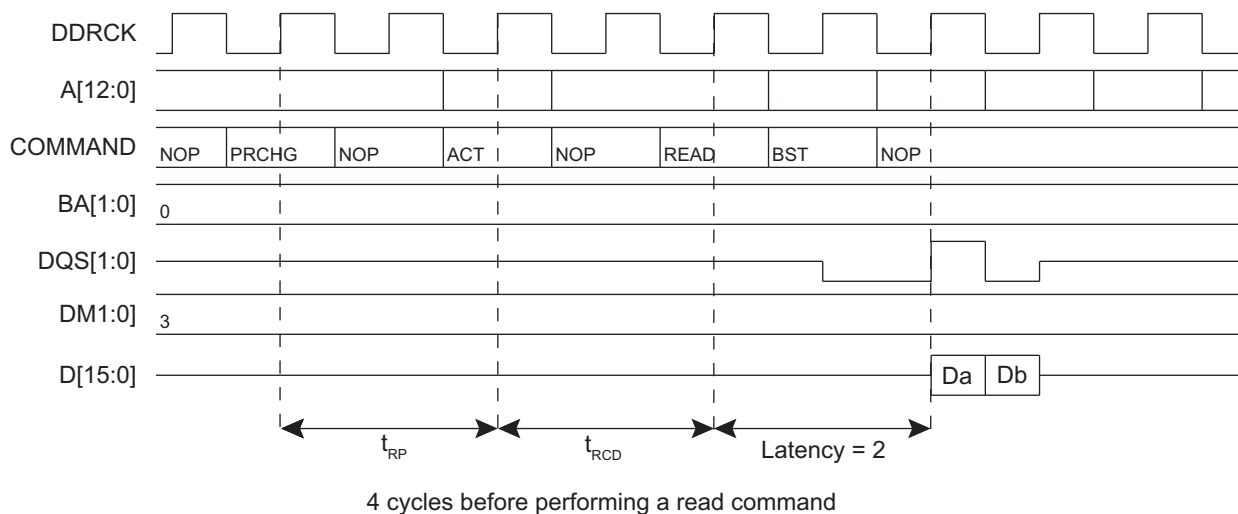
To exit Reset mode, the Low-power Command bit (LPCB) must be written to zero, the Clock Frozen Command bit (CLK_FR) must be written to zero and the initialization sequence must be generated by software (see [Section 29.4.2 DDR2-SDRAM Initialization](#)).

29.5.4 Multi-port Functionality

The DDR-SDRAM protocol imposes a check of timings prior to performing a read or a write access, thus decreasing system performance. An access to DDR-SDRAM is performed if banks and rows are open (or active). To activate a row in a particular bank, the last open row must be deactivated and a new row must be open. Two DDR-SDRAM commands must be performed to open a bank: Precharge command and Activate command with respect to t_{RP} timing. Before performing a read or write command, t_{RCD} timing must be checked.

This operation generates a significant bandwidth loss (see [Figure 29-18](#)).

Figure 29-18: t_{RP} and t_{RCD} Timings



29.5.6 Register Write Protection

To prevent any single software error from corrupting MPDDRC behavior, certain registers in the address space can be write-protected by setting the WPEN bit in the [MPDDRC Write Protection Mode Register](#) (MPDDRC_WPMR).

If a write access to a write-protected register is detected, the WPVS flag in the [MPDDRC Write Protection Status Register](#) (MPDDRC_WPSR) is set and the field WPVSRC indicates the register in which the write access has been attempted.

The WPVS bit is automatically cleared after reading the MPDDRC_WPSR.

The following registers can be write-protected:

- [MPDDRC Mode Register](#)
- [MPDDRC Refresh Timer Register](#)
- [MPDDRC Configuration Register](#)
- [MPDDRC Timing Parameter 0 Register](#)
- [MPDDRC Timing Parameter 1 Register](#)
- [MPDDRC Memory Device Register](#)
- [MPDDRC High Speed Register](#)
- [MPDDRC Low-power DDR2 Calibration and MR4 Register](#)
- [MPDDRC OCMS Register](#)
- [MPDDRC OCMS KEY1 Register](#)
- [MPDDRC OCMS KEY2 Register](#)

29.6 Software Interface/SDRAM Organization, Address Mapping

The DDR-SDRAM address space is organized into banks, rows and columns. The MPDDRC maps different memory types depending on values set in the MPDDRC Configuration Register (see [Section 29.7.3 MPDDRC Configuration Register](#)). The tables that follow illustrate the relation between CPU addresses and columns, rows and banks addresses for 16-bit memory data bus widths and 32-bit memory data bus widths.

The MPDDRC supports address mapping in Linear mode.

Sequential mode is a method for address mapping where banks alternate at each last DDR-SDRAM page of the current bank.

Interleaved mode is a method for address mapping where banks alternate at each SDRAM end page of the current bank.

The MPDDRC makes the DDR-SDRAM device access protocol transparent to the user. The tables that follow illustrate the DDR-SDRAM device memory mapping seen by the user in correlation with the device structure. Various configurations are illustrated.

29.6.1 DDR-SDRAM Address Mapping for 32-bit Memory Data Bus Width

Table 29-3: Sequential Mapping DDR-SDRAM Configuration Mapping: 2K Rows, 512/1024/2048 Columns, 4 banks

CPU Address Line																															
28	27	26	25	24	23	22	21	20	19	18	17	16	15	14	13	12	11	10	9	8	7	6	5	4	3	2	1	0			
					Bk[1:0]				Row[10:0]										Column[8:0]								M[1:0]				
				Bk[1:0]				Row[10:0]										Column[9:0]								M[1:0]					
			Bk[1:0]				Row[10:0]										Column[10:0]								M[1:0]						

Table 29-4: Interleaved Mapping DDR-SDRAM Configuration Mapping: 2K Rows, 512/1024/2048 Columns, 4 banks

CPU Address Line																															
28	27	26	25	24	23	22	21	20	19	18	17	16	15	14	13	12	11	10	9	8	7	6	5	4	3	2	1	0			
					Row[10:0]										Bk[1:0]				Column[8:0]								M[1:0]				
				Row[10:0]										Bk[1:0]				Column[9:0]								M[1:0]					
			Row[10:0]										Bk[1:0]				Column[10:0]								M[1:0]						

Table 29-5: Sequential Mapping DDR-SDRAM Configuration Mapping: 4K Rows, 256/512/1024/2048 Columns, 4 banks

CPU Address Line																															
28	27	26	25	24	23	22	21	20	19	18	17	16	15	14	13	12	11	10	9	8	7	6	5	4	3	2	1	0			
					Bk[1:0]				Row[11:0]										Column[7:0]								M[1:0]				
				Bk[1:0]				Row[11:0]										Column[8:0]								M[1:0]					
			Bk[1:0]				Row[11:0]										Column[9:0]								M[1:0]						
		Bk[1:0]				Row[11:0]										Column[10:0]								M[1:0]							

Table 29-6: Interleaved Mapping DDR-SDRAM Configuration Mapping: 4K Rows, 256/512/1024/2048 Columns, 4 banks

CPU Address Line																															
28	27	26	25	24	23	22	21	20	19	18	17	16	15	14	13	12	11	10	9	8	7	6	5	4	3	2	1	0			
					Row[11:0]										Bk[1:0]				Column[7:0]								M[1:0]				
				Row[11:0]										Bk[1:0]				Column[8:0]								M[1:0]					
			Row[11:0]										Bk[1:0]				Column[9:0]								M[1:0]						
		Row[11:0]										Bk[1:0]				Column[10:0]								M[1:0]							

Table 29-7: Sequential Mapping DDR-SDRAM Configuration Mapping: 8K Rows, 512/1024/2048 Columns, 4 banks

CPU Address Line																															
28	27	26	25	24	23	22	21	20	19	18	17	16	15	14	13	12	11	10	9	8	7	6	5	4	3	2	1	0			
			Bk[1:0]				Row[12:0]										Column[8:0]								M[1:0]						
		Bk[1:0]				Row[12:0]										Column[9:0]								M[1:0]							
	Bk[1:0]				Row[12:0]										Column[10:0]								M[1:0]								

SAMA5D3 SERIES

Table 29-8: Interleaved Mapping DDR-SDRAM Configuration Mapping: 8K Rows, 512/1024/2048 Columns, 4 banks

CPU Address Line																												
28	27	26	25	24	23	22	21	20	19	18	17	16	15	14	13	12	11	10	9	8	7	6	5	4	3	2	1	0
Row[12:0]													Bk[1:0]				Column[8:0]										M[1:0]	
Row[12:0]													Bk[1:0]				Column[9:0]										M[1:0]	
Row[12:0]													Bk[1:0]				Column[10:0]										M[1:0]	

Table 29-9: Sequential Mapping DDR-SDRAM Configuration Mapping: 8K Rows, 1024 Columns, 8 banks

CPU Address Line																												
28	27	26	25	24	23	22	21	20	19	18	17	16	15	14	13	12	11	10	9	8	7	6	5	4	3	2	1	0
Bk[2:0]				Row[12:0]													Column[9:0]										M[1:0]	

Table 29-10: Interleaved Mapping DDR-SDRAM Configuration Mapping: 8K Rows, 1024 Columns, 8 banks

CPU Address Line																												
28	27	26	25	24	23	22	21	20	19	18	17	16	15	14	13	12	11	10	9	8	7	6	5	4	3	2	1	0
Row[12:0]													Bk[2:0]				Column[9:0]										M[1:0]	

Table 29-11: Sequential Mapping DDR-SDRAM Configuration Mapping: 16K Rows, 1024 Columns, 4 banks

CPU Address Line																												
28	27	26	25	24	23	22	21	20	19	18	17	16	15	14	13	12	11	10	9	8	7	6	5	4	3	2	1	0
Bk[1:0]				Row[13:0]													Column[9:0]										M[1:0]	

Table 29-12: Interleaved Mapping DDR-SDRAM Configuration Mapping: 16K Rows, 1024 Columns, 4 banks

CPU Address Line																												
28	27	26	25	24	23	22	21	20	19	18	17	16	15	14	13	12	11	10	9	8	7	6	5	4	3	2	1	0
Row[13:0]													Bk[1:0]				Column[9:0]										M[1:0]	

Table 29-13: Sequential Mapping DDR-SDRAM Configuration Mapping: 16K Rows, 1024 Columns, 8 banks

CPU Address Line																												
28	27	26	25	24	23	22	21	20	19	18	17	16	15	14	13	12	11	10	9	8	7	6	5	4	3	2	1	0
Bk[2:0]				Row[13:0]													Column[9:0]										M[1:0]	

Table 29-14: Interleaved Mapping DDR-SDRAM Configuration Mapping: 16K Rows, 1024 Columns, 8 banks

CPU Address Line																												
28	27	26	25	24	23	22	21	20	19	18	17	16	15	14	13	12	11	10	9	8	7	6	5	4	3	2	1	0
Row[13:0]													Bk[2:0]				Column[9:0]										M[1:0]	

Note 1: M[1:0] is the byte address inside a 32-bit word.

2: Bk[2] = BA2, Bk[1] = BA1, Bk[0] = BA0

29.7 AHB Multi-port DDR-SDRAM Controller (MPDDRC) User Interface

The User Interface is connected to the APB bus. The MPDDRC is programmed using the registers listed in [Table 29-15](#).

Table 29-15: Register Mapping

Offset	Register	Name	Access	Reset
0x00	MPDDRC Mode Register	MPDDRC_MR	Read/Write	0x00000000
0x04	MPDDRC Refresh Timer Register	MPDDRC_RTR	Read/Write	0x03000000
0x08	MPDDRC Configuration Register	MPDDRC_CR	Read/Write	0x00207024
0x0C	MPDDRC Timing Parameter 0 Register	MPDDRC_TPR0	Read/Write	0x20227225
0x10	MPDDRC Timing Parameter 1 Register	MPDDRC_TPR1	Read/Write	0x3C80808
0x14	MPDDRC Timing Parameter 2 Register	MPDDRC_TPR2	Read/Write	0x00042062
0x18	Reserved	–	–	–
0x1C	MPDDRC Low-power Register	MPDDRC_LPR	Read/Write	0x0010000
0x20	MPDDRC Memory Device Register	MPDDRC_MD	Read/Write	0x13
0x24	MPDDRC High Speed Register	MPDDRC_HS	Read/Write	0x00000008
0x28	MPDDRC LPDDR2 Low-power Register	MPDDRC_LPDDR2_LPR	Read/Write	0x00000000
0x2C	MPDDRC Low-power DDR2 Calibration and MR4 Register	MPDDRC_LPDDR2_CAL_MR4	Read/Write	0x00000000
0x30	MPDDRC Low-power DDR2 Timing Calibration Register	MPDDRC_LPDDR2_TIM_CAL	Read/Write	0x06
0x34	MPDDRC IO Calibration	MPDDRC_IO_CALIBR	Read/Write	0x00870002
0x38	MPDDRC OCMS Register	MPDDRC_OCMS	Read/Write	0x00000000
0x3C	MPDDRC OCMS KEY1 Register	MPDDRC_OCMS_KEY1	Write-only	–
0x40	MPDDRC OCMS KEY2 Register	MPDDRC_OCMS_KEY2	Write-only	–
0x44–0x70	Reserved	–	–	–
0x74	MPDDRC DLL Master Offset Register	MPDDRC_DLL_MO	Read/Write	0x ⁽¹⁾
0x78	MPDDRC DLL Slave Offset Register	MPDDRC_DLL_SOF	Read/Write	0x ⁽¹⁾
0x7C	MPDDRC DLL Status Master Register	MPDDRC_DLL_MS	Read-only	0x00000000
0x80	MPDDRC DLL Status Slave 0 Register	MPDDRC_DLL_SS0	Read-only	0x00000000
0x84	MPDDRC DLL Status Slave 1 Register	MPDDRC_DLL_SS1	Read-only	0x00000000
0x88	MPDDRC DLL Status Slave 2 Register	MPDDRC_DLL_SS2	Read-only	0x00000000
0x8C	MPDDRC DLL Status Slave 3 Register	MPDDRC_DLL_SS3	Read-only	0x00000000
0x90–0xE0	Reserved	–	–	–
0xE4	MPDDRC Write Protection Mode Register	MPDDRC_WPMR	Read/Write	0x00000000
0xE8	MPDDRC Write Protection Status Register	MPDDRC_WPSR	Read-only	0x00000000
0xEC–0x1FC	Reserved	–	–	–

Note 1: Values vary with the product implementation.

SAMA5D3 SERIES

29.7.1 MPDDRC Mode Register

Name:MPDDRC_MR

Address:0xFFFFEA00

Access:Read/Write

31	30	29	28	27	26	25	24
–	–	–	–	–	–	–	–
23	22	21	20	19	18	17	16
–	–	–	–	–	–	–	–
15	14	13	12	11	10	9	8
MRS							
7	6	5	4	3	2	1	0
–	–	–		–	MODE		

This register can only be written if the WPEN bit is cleared in the [MPDDRC Write Protection Mode Register](#).

MODE: MPDDRC Command Mode

This field defines the command issued by the MPDDRC when the SDRAM device is accessed. This register is used to initialize the SDRAM device and to activate Deep Power-down mode.

Value	Name	Description
0	NORMAL_CMD	Normal Mode. Any access to the MPDDRC is decoded normally. To activate this mode, the command must be followed by a write to the DDR-SDRAM.
1	NOP_CMD	The MPDDRC issues a NOP command when the DDR-SDRAM device is accessed regardless of the cycle. To activate this mode, the command must be followed by a write to the DDR-SDRAM.
2	PRCGALL_CMD	The MPDDRC issues the All Banks Precharge command when the DDR-SDRAM device is accessed regardless of the cycle. To activate this mode, the command must be followed by a write to the SDRAM.
3	LMR_CMD	The MPDDRC issues a Load Mode Register command when the DDR-SDRAM device is accessed regardless of the cycle. To activate this mode, the command must be followed by a write to the DDR-SDRAM.
4	RFSH_CMD	The MPDDRC issues an Auto-Refresh command when the DDR-SDRAM device is accessed regardless of the cycle. Previously, an All Banks Precharge command must be issued. To activate this mode, the command must be followed by a write to the DDR-SDRAM.
5	EXT_LMR_CMD	The MPDDRC issues an Extended Load Mode Register command when the SDRAM device is accessed regardless of the cycle. To activate this mode, the command must be followed by a write to the DDR-SDRAM. The write in the DDR-SDRAM must be done in the appropriate bank.
6	DEEP_MD	Deep Power mode: Access to Deep Power-down mode
7	LPDDR2_CMD	The MPDDRC issues an LPDDR2 Mode Register command when the device is accessed regardless of the cycle. To activate this mode, the Mode Register command must be followed by a write to the low-power DDR2-SDRAM.

MRS: Mode Register Select LPDDR2

Configure this 8-bit field to program all mode registers included in the low-power DDR2-SDRAM device. This field is unique to the low-power DDR2-SDRAM devices.

29.7.2 MPDDRC Refresh Timer Register

Name:MPDDRC_RTR

Address:0xFFFFEA04

Access:Read/Write

31	30	29	28	27	26	25	24
–	–	–	–	–	–	–	–
23	22	21	20	19	18	17	16
–	MR4_VALUE			–	–	REF_PB	ADJ_REF
15	14	13	12	11	10	9	8
–	–	–	–	COUNT			
7	6	5	4	3	2	1	0
COUNT							

This register can only be written if the WPEN bit is cleared in the [MPDDRC Write Protection Mode Register](#).

COUNT: MPDDRC Refresh Timer Count

This 12-bit field is loaded into a timer which generates the refresh pulse. Each time the refresh pulse is generated, a refresh sequence is initiated.

The SDRAM devices require a refresh of all rows every 64 ms. The value to be loaded depends on the MPDDRC clock frequency (MCK: Master Clock) and the number of rows in the device.

For example, for an SDRAM with 8192 rows and a 100 MHz Master clock, the value of the COUNT field is configured: $((64 \times 10^{-3})/8192) \times 100 \times 10^6 = 781$ or 0x030D.

Low-power DDR2-SDRAM devices support Per Bank Refresh operation. In this configuration, average time between refresh command is 0.975 μ s. The value of the COUNT field is configured depending on this value. For example, the value of a 100 MHz Master clock refresh timer is 98 or 0x0062.

ADJ_REF: Adjust Refresh Rate

Reset value is 0.

0: Adjust refresh rate is not enabled.

1: Adjust refresh rate is enabled.

This mode is unique to the low-power DDR2-SDRAM devices.

REF_PB: Refresh Per Bank

Reset value is 0.

0: Refresh all banks during auto-refresh operation.

1: Refresh the scheduled bank by the bank counter in the memory interface.

This mode is unique to the low-power DDR2-SDRAM devices.

MR4_VALUE: Content of MR4 Register

Reset value is 3.

This (read-only) field gives the content of MR4 register. This field is updated when MRR command is generated and Adjust Refresh Rate bit is enabled. Update is done when read value is different from MR4_VALUE.

LP-DDR2 JEDEC memory standards impose derating LP-DDR2 AC timings (t_{RCD} , t_{RC} , t_{RAS} , t_{RP} and t_{RRD}) when the value of MR4 is equal to 6. If the application needs to work in extreme conditions, the derating value must be added to AC timings before the power up sequence.

This mode is unique to the low-power DDR2-SDRAM devices.

SAMA5D3 SERIES

29.7.3 MPDDRC Configuration Register

Name:MPDDRC_CR

Address:0xFFFFEA08

Access:Read/Write

31	30	29	28	27	26	25	24
–	–	–	–	–	–	–	–
23	22	21	20	19	18	17	16
UNAL	DECOD	NDQS	NB		–	ENRDM	DQMS
15	14	13	12	11	10	9	8
–		OCD			ZQ	DIS_DLL	DIC_DS
7	6	5	4	3	2	1	0
DLL		CAS			NR		NC

This register can only be written if the WPEN bit is cleared in the [MPDDRC Write Protection Mode Register](#).

NC: Number of Column Bits

Reset value is 0 (9/8 column bits).

Value	Name	Description
0	DDR9_MDDR8_COL_BITS	9 bits for DDR, 8-bit for low-power DDR1-SDRAM
1	DDR10_MDDR9_COL_BITS	10 bits for DDR, 9-bit for low-power DDR1-SDRAM
2	DDR11_MDDR10_COL_BITS	11 bits for DDR, 10-bit for low-power DDR1-SDRAM
3	DDR12_MDDR11_COL_BITS	12 bits for DDR, 11-bit for low-power DDR1-SDRAM

NR: Number of Row Bits

Reset value is 1 (12 row bits).

Value	Name	Description
0	11_ROW_BITS	11 bits to define the row number, up to 2048 rows
1	12_ROW_BITS	12 bits to define the row number, up to 4096 rows
2	13_ROW_BITS	13 bits to define the row number, up to 8192 rows
3	14_ROW_BITS	14 bits to define the row number, up to 16384 rows

CAS: CAS Latency

Reset value is 2 (2 cycles).

Value	Name	Description
2	DDR_CAS2	LPDDR1 CAS Latency 2
3	DDR_CAS3	DDR2/LPDDR2/LPDDR1 CAS Latency 3

DLL: Reset DLL

Reset value is 0.

This bit defines the value of Reset DLL.

Value	Name	Description
0	RESET_DISABLED	Disable DLL reset
1	RESET_ENABLED	Enable DLL reset

This value is used during the power-up sequence.

This bit is found only in the DDR2-SDRAM devices.

DIC_DS: Output Driver Impedance Control (Drive Strength)

Reset value is 0.

This bit name is described as “DS” in some memory datasheets. It defines the output drive strength. This value is used during the power-up sequence.

Value	Name	Description
0	DDR2_NORMALSTRENGTH	Normal drive strength (DDR2)
1	DDR2_WEAKSTRENGTH	Weak drive strength (DDR2)

This bit is found only in the DDR2-SDRAM devices.

DIS_DLL: DISABLE DLL

Reset value is 0.

0: Enable DLL.

1: Disable DLL.

This value is used during the power-up sequence. It is only found in the DDR2-SDRAM devices.

ZQ: ZQ Calibration

Reset value is 0.

Value	Name	Description
0	INIT	Calibration command after initialization
1	LONG	Long calibration
2	SHORT	Short calibration
3	RESET	ZQ Reset

This parameter is used to calibrate DRAM On resistance (Ron) values over PVT.

This field is found only in the low-power DDR2-SDRAM devices.

OCD: Off-chip Driver

Reset value is 7.

Note: SDRAM Controller supports only two values for OCD (default calibration and exit from calibration). These values MUST always be programmed during the initialization sequence. The default calibration must be programmed first, after which the exit calibration and maintain settings must be programmed.

This field is found only in the DDR2-SDRAM devices.

Value	Name	Description
0	DDR2_EXITCALIB	Exit from OCD Calibration mode and maintain settings
7	DDR2_DEFAULT_CALIB	OCD calibration default

SAMA5D3 SERIES

DQMS: Mask Data is Shared

Reset value is 0.

Value	Name	Description
0	NOT_SHARED	DQM is not shared with another controller
1	SHARED	DQM is shared with another controller

ENRDM: Enable Read Measure

Reset value is 0.

Value	Name	Description
0	OFF	DQS/DDR_DATA phase error correction is disabled
1	ON	DQS/DDR_DATA phase error correction is enabled

NB: Number of Banks

Reset value is 0 (4 banks). If LC_LPDDR1 is set to 1, NB is not relevant.

Value	Name	Description
0	4_BANKS	4-bank memory devices
1	8_BANKS	8 banks. Only possible when using the DDR2-SDRAM and low-power DDR2-SDRAM devices.

NDQS: Not DQS

Reset value is 1 (Not DQS is disabled).

Value	Name	Description
0	ENABLED	Not DQS is enabled
1	DISABLED	Not DQS is disabled

This bit is found only in the DDR2-SDRAM devices.

DECOD: Type of Decoding

Reset value is 0.

Value	Name	Description
0	SEQUENTIAL	Method for address mapping where banks alternate at each last DDR-SDRAM page of the current bank.
1	INTERLEAVED	Method for address mapping where banks alternate at each SDRAM end page of the current bank.

UNAL: Support Unaligned Access

Reset value is 0 (unaligned access is not supported).

Value	Name	Description
0	UNSUPPORTED	Unaligned access is not supported.
1	SUPPORTED	Unaligned access is supported.

This mode is enabled with masters which have an AXI interface.

29.7.4 MPDDRC Timing Parameter 0 Register

Name:MPDDRC_TPR0

Address:0xFFFFEA0C

Access:Read/Write

31	30	29	28	27	26	25	24
TMRD				RDC_WRRD	TWTR		
23	22	21	20	19	18	17	16
TRRD				TRP			
15	14	13	12	11	10	9	8
TRC				TWR			
7	6	5	4	3	2	1	0
TRCD				TRAS			

This register can only be written if the WPEN bit is cleared in the [MPDDRC Write Protection Mode Register](#).

TRAS: Active to Precharge Delay

Reset value is 5 DDRCK⁽¹⁾ clock cycles.

This field defines the delay between an Activate command and a Precharge command in number of DDRCK⁽¹⁾ clock cycles. The number of cycles is between 0 and 15.

TRCD: Row to Column Delay

Reset value is 2 DDRCK⁽¹⁾ clock cycles.

This field defines the delay between an Activate command and a Read/Write command in number of DDRCK⁽¹⁾ clock cycles. The number of cycles is between 0 and 15.

TWR: Write Recovery Delay

Reset value is 2 DDRCK⁽¹⁾ clock cycles.

This field defines the Write Recovery Time in number of DDRCK⁽¹⁾ clock cycles. The number of cycles is between 1 and 15.

TRC: Row Cycle Delay

Reset value is 7 DDRCK⁽¹⁾ clock cycles.

This field defines the delay between an Activate command and a Refresh command in number of DDRCK⁽¹⁾ clock cycles. The number of cycles is between 0 and 15.

TRP: Row Precharge Delay

Reset value is 2 DDRCK⁽¹⁾ clock cycles.

This field defines the delay between a Precharge command and another command in number of DDRCK⁽¹⁾ clock cycles. The number of cycles is between 0 and 15.

TRRD: Active BankA to Active BankB

Reset value is 2 DDRCK⁽¹⁾ clock cycles.

This field defines the delay between an Activate command in BankA and an Activate command in BankB in number of DDRCK⁽¹⁾ clock cycles. The number of cycles is between 1 and 15.

TWTR: Internal Write to Read Delay

Reset value is 0.

This field defines the internal Write to Read command time in number of DDRCK⁽¹⁾ clock cycles. The number of cycles is between 1 and 7.

SAMA5D3 SERIES

RDC_WRRD: Reduce Write to Read Delay

Reset value is 0.

This field reduces the delay between write to read access for the low-power DDR-SDRAM devices with a latency equal to 2. To use this feature, the TWTR field must be equal to 0. Note that some devices do not support this feature.

TMRD: Load Mode Register Command to Activate or Refresh Command

Reset value is 2 DDRCK⁽¹⁾ clock cycles.

This field defines the delay between a Load mode register command and an Activate or Refresh command in number of DDRCK⁽¹⁾ clock cycles. The number of cycles is between 0 and 15. For low-power DDR2-SDRAM, this field is equivalent to TMRW timing.

Note 1: DDRCK is the clock that drives the SDRAM device.

29.7.5 MPDDRC Timing Parameter 1 Register

Name:MPDDRC_TPR1

Address:0xFFFFEA10

Access:Read/Write

31	30	29	28	27	26	25	24
–	–	–	–	TXP			
23	22	21	20	19	18	17	16
TXSRD							
15	14	13	12	11	10	9	8
TXSNR							
7	6	5	4	3	2	1	0
–	–	–	TRFC				

This register can only be written if the WPEN bit is cleared in the [MPDDRC Write Protection Mode Register](#).

TRFC: Row Cycle Delay

Reset value is 8 DDRCK⁽¹⁾ clock cycles.

This field defines the delay between a Refresh command or a Refresh and Activate command in number of DDRCK⁽¹⁾ clock cycles. The number of cycles is between 0 and 31.

In case of low-power DDR2-SDRAM, this field is equivalent to t_{RFCab} timing. If the user enables the function “Refresh Per Bank” (see [REF_PB: Refresh Per Bank](#)), this field is equivalent to t_{RFCpb} .

TXSNR: Exit Self-refresh Delay to Non-Read Command

Reset value is 8 DDRCK⁽¹⁾ clock cycles.

This field defines the delay between CKE set high and a Non Read command in number of DDRCK⁽¹⁾ clock cycles. The number of cycles is between 0 and 255. This field is used by the DDR-SDRAM devices. In case of low-power DDR-SDRAM, this field is equivalent to t_{XSR} timing.

TXSRD: Exit Self-refresh Delay to Read Command

Reset value is 200 DDRCK⁽¹⁾ clock cycles.

This field defines the delay between CKE set high and a Read command in number of DDRCK⁽¹⁾ clock cycles. The number of cycles is between 0 and 255.

This field is found only in DDR2-SDRAM devices.

TXP: Exit Power-down Delay to First Command

Reset value is 3 DDRCK⁽¹⁾ clock cycles.

This field defines the delay between CKE set high and a valid command in number of DDRCK⁽¹⁾ clock cycles. The number of cycles is between 0 and 15.

Note 1: DDRCK is the clock that drives the SDRAM device.

SAMA5D3 SERIES

29.7.6 MPDDRC Timing Parameter 2 Register

Name:MPDDRC_TPR2

Address:0xFFFFEA14

Access:Read/Write

31	30	29	28	27	26	25	24
–	–	–	–	–	–	–	–
23	22	21	20	19	18	17	16
–	–	–	–	TFAW			
15	14	13	12	11	10	9	8
–	TRTP			TRPA			
7	6	5	4	3	2	1	0
TXARDS				TXARD			

TXARD: Exit Active Power Down Delay to Read Command in Mode “Fast Exit”

Reset value is 2 DDRCK⁽¹⁾ clock cycles.

This field defines the delay between CKE set high and a Read command in number of DDRCK⁽¹⁾ clock cycles. The number of cycles is between 0 and 15.

This field is found only in the DDR2-SDRAM devices.

TXARDS: Exit Active Power Down Delay to Read Command in Mode “Slow Exit”

Reset value is 6 DDRCK⁽¹⁾ clock cycles.

This field defines the delay between CKE set high and a Read command in number of DDRCK⁽¹⁾ clock cycles. The number of cycles is between 0 and 15.

This field is found only in the DDR2-SDRAM devices.

TRPA: Row Precharge All Delay

Reset value is 0 DDRCK⁽¹⁾ clock cycles.

This field defines the delay between a Precharge All Banks command and another command in number of DDRCK⁽¹⁾ clock cycles. The number of cycles is between 0 and 15.

This field is found only in the DDR2-SDRAM devices.

TRTP: Read to Precharge

Reset value is 2 DDRCK⁽¹⁾ clock cycles.

This field defines the delay between a Read command and a Precharge command in number of DDRCK⁽¹⁾ clock cycles.

The number of cycles is between 0 and 7.

TFAW: Four Active Windows

Reset value is 4 DDRCK⁽¹⁾ clock cycles.

DDR2 devices with eight banks (1 Gbit or larger) have an additional requirement concerning t_{FAW} timing. This requires that no more than four Activate commands may be issued in any given t_{FAW} (MIN) period.

The number of cycles is between 0 and 15.

This field is found only in DDR2-SDRAM and LPDDR2-SDRAM devices.

Note 1: DDRCK is the clock that drives the SDRAM device.

29.7.7 MPDDRC Low-power Register

Name:MPDDRC_LPR

Address:0xFFFFEA1C

Access:Read/Write

31	30	29	28	27	26	25	24
–	–	–	–	–	–		–
23	22	21	20	19	18	17	16
–	–	UPD_MR		–	–	–	APDE
15	14	13	12	11	10	9	8
–	–	TIMEOUT		–	DS		
7	6	5	4	3	2	1	0
–	PASR			LPDDR2_PWOF F	CLK_FR	LPCB	

LPCB: Low-power Command Bit

Reset value is 0.

Value	Name	Description
0	NOLOWPOWER	Low-power feature is inhibited. No Power-down, Self-refresh and Deep-power modes are issued to the DDR-SDRAM device.
1	SELFREFRESH	The MPDDRC issues a self-refresh command to the DDR-SDRAM device, the clock(s) is/are deactivated and the CKE signal is set low. The DDR-SDRAM device leaves the Self-refresh mode when accessed and reenters it after the access.
2	POWERDOWN	The MPDDRC issues a Power-down command to the DDR-SDRAM device after each access, the CKE signal is set low. The DDR-SDRAM device leaves the Power-down mode when accessed and reenters it after the access.
3	DEEPPOWERDOWN	The MPDDRC issues a Deep Power-down command to the low-power DDR-SDRAM device.

CLK_FR: Clock Frozen Command Bit

Reset value is 0.

This field sets the clock low during Power-down mode. Some DDR-SDRAM devices do not support freezing the clock during Power-down mode. Refer to the relevant DDR-SDRAM device datasheet for details.

Value	Name	Description
0	DISABLED	Clock(s) is/are not frozen.
1	ENABLED	Clock(s) is/are frozen.

SAMA5D3 SERIES

LPDDR2_PWOFF: LPDDR2 - LPDDR3 Power Off Bit

Reset value is 0.

LPDDR2 power off sequence must be controlled to preserve the LPDDR2 device. The power failure is handled at system level (IRQ or FIQ) and the LPDDR2 power off sequence is applied using the LPDDR2_PWOFF bit.

LPDDR2_PWOFF bit is used to impose CKE low before a power off sequence. Uncontrolled power off sequence can be applied only up to 400 times in the life of a LPDDR2 device.

Value	Name	Description
0	DISABLED	No power-off sequence applied to LPDDR2.
1	ENABLED	A power-off sequence is applied to the LPDDR2 device. CKE is forced low.

PASR: Partial Array Self-refresh

Reset value is 0.

This field is unique to low-power DDR1-SDRAM. It is used to specify whether only one-quarter, one-half or all banks of the DDR-SDRAM array are enabled. Disabled banks are not refreshed in Self-refresh mode.

The values of this field are dependent on the low-power DDR-SDRAM devices.

After the initialization sequence, as soon as the PASR field is modified, the Extended Mode Register in the external device memory is accessed automatically and PASR bits are updated. Depending on the UPD_MR bit, update is done before entering Self-refresh mode or during a refresh command and a pending read or write access.

DS: Drive Strength

Reset value is 0.

This field is unique to low-power DDR1-SDRAM. It selects the output drive strength.

Value	Name	Description
0	DS_FULL	Full drive strength
1	DS_HALF	Half drive strength
2	DS_QUARTER	Quarter drive strength
3	DS_OCTANT	Octant drive strength
4-7	–	Reserved

After the initialization sequence, as soon as the DS field is modified, the Extended Mode Register is accessed automatically and DS bits are updated. Depending on the UPD_MR bit, update is done before entering self-refresh mode or during a refresh command and a pending read or write access.

TIMEOUT: Time Between Last Transfer and Low-Power Mode

Reset value is 0.

This field defines when Low-power mode is activated.

Value	Name	Description
0	NONE	SDRAM Low-power mode is activated immediately after the end of the last transfer.
1	DELAY_64_CLK	SDRAM Low-power mode is activated 64 clock cycles after the end of the last transfer.
2	DELAY_128_CLK	SDRAM Low-power mode is activated 128 clock cycles after the end of the last transfer.
3	–	Reserved

APDE: Active Power Down Exit Time

Reset value is 1.

This mode is unique to the DDR2-SDRAM devices.

This mode manages the active Power-down mode which determines performance versus power saving.

Value	Name	Description
0	DDR2_FAST_EXIT	Fast Exit from Power Down. DDR2-SDRAM devices only.
1	DDR2_SLOW_EXIT	Slow Exit from Power Down. DDR2-SDRAM devices only.

After the initialization sequence, as soon as the APDE field is modified, the Extended Mode Register (located in the memory of the external device) is accessed automatically and APDE bits are updated. Depending on the UPD_MR bit, update is done before entering Self-refresh mode or during a refresh command and a pending read or write access

UPD_MR: Update Load Mode Register and Extended Mode Register

Reset value is 0.

This bit is used to enable or disable automatic update of the Load Mode Register and Extended Mode Register. This update depends on the MPDDRC integration in a system. MPDDRC can either share or not an external bus with another controller.

Value	Name	Description
0	NO_UPDATE	Update of Load Mode and Extended Mode registers is disabled.
1	UPDATE_SHAREDDBUS	MPDDRC shares an external bus. Automatic update is done during a refresh command and a pending read or write access in the SDRAM device.
2	UPDATE_NOSHAREDBUS	MPDDRC does not share an external bus. Automatic update is done before entering Self-refresh mode.
3	–	Reserved

SAMA5D3 SERIES

29.7.8 MPDDRC Memory Device Register

Name:MPDDRC_MD

Address:0xFFFFEA20

Access:Read/Write

31	30	29	28	27	26	25	24
–	–	–	–	–	–	–	–
23	22	21	20	19	18	17	16
–	–	–	–	–	–	–	–
15	14	13	12	11	10	9	8
–	–	–	–	–	–	–	–
7	6	5	4	3	2	1	0
–	–	–	DBW	–		MD	

This register can only be written if the WPEN bit is cleared in the [MPDDRC Write Protection Mode Register](#).

MD: Memory Device

Indicates the type of memory used.

Reset value is that for the DDR-SDRAM device.

Value	Name	Description
3	LPDDR_SDRAM	Low-power DDR1-SDRAM
6	DDR2_SDRAM	DDR2-SDRAM
7	LPDDR2_SDRAM	Low-power DDR2-SDRAM

DBW: Data Bus Width

Value	Name	Description
0	DBW_32_BITS	Data bus width is 32 bits
1	RESERVED	Reserved

29.7.9 MPDDRC High Speed Register

Name:MPDDRC_HS

Address:0xFFFFEA24

Access:Read/Write

31	30	29	28	27	26	25	24
–	–	–	–	–	–	–	–
23	22	21	20	19	18	17	16
–	–	–	–	–	–	–	–
15	14	13	12	11	10	9	8
–	–	–	–	–	–	–	–
7	6	5	4	3	2	1	0
–	–	EN_CALIB	–	–	DIS_ANTICIP_READ	–	–

This register can only be written if the WPEN bit is cleared in the [MPDDRC Write Protection Mode Register](#).

DIS_ANTICIP_READ: Disable Anticip Read Access

This field allows DDR read access optimization with the multi-port.

This feature is based on the “bank open policy.” Therefore, software must map different buffers in different DDR banks to use the feature.

0: Anticip_read access is enabled (default).

1: Anticip_read access is disabled.

EN_CALIB: Enable of the Calibration

Reset value is 0.

This field enables calibration for the LPDDR1 and DDR2 devices.

Value	Name	Description
0	DISABLE_CALIBRATION	Calibration is disabled.
1	ENABLE_CALIBRATION	Calibration is enabled.

SAMA5D3 SERIES

29.7.10 MPDDRC Low-power DDR2 Low-power Register

Name:MPDDRC_LPDDR2_LPR

Address:0xFFFFEA28

Access:Read/Write

31	30	29	28	27	26	25	24
–	–	–	–	DS			
23	22	21	20	19	18	17	16
SEG_MASK							
15	14	13	12	11	10	9	8
SEG_MASK							
7	6	5	4	3	2	1	0
BK_MASK_PASR							

BK_MASK_PASR: Bank Mask Bit/PASR

Partial Array Self-Refresh (low-power DDR2-SDRAM-S4 devices only)

Reset value is 0.

After the initialization sequence, as soon as the BK_MASK_PASR field is modified, Mode Register 16 is accessed automatically and BK_MASK_PASR bits are updated. Depending on the UPD_MR bit, update is done before entering Self-refresh mode or during a refresh command and a pending read or write access.

0: Refresh is enabled (= unmasked).

1: Refresh is disabled (= masked).

This mode is unique to the low-power DDR2-SDRAM-S4 devices. In Self-refresh mode, each bank of LPDDR2 can be independently configured whether a self-refresh operation is taking place or not.

After the initialization sequence, as soon as the BK_MASK_PASR field is modified, the Extended Mode Register is accessed automatically and BK_MASK_PASR bits are updated. Depending on the UPD_MR bit, update is done before entering Self-refresh mode or during a refresh command and a pending read or write access.

SEG_MASK: Segment Mask Bit

Reset value is 0.

After the initialization sequence, as soon as the SEG_MASK field is modified, Mode Register 17 is accessed automatically and SEG_MASK bits are updated. Depending on the UPD_MR bit, update is done before entering Self-refresh mode or during a refresh command and a pending read or write access.

0: Segment is refreshed (= unmasked).

1: Segment is not refreshed (= masked).

This mode is unique to the low-power DDR2-SDRAM-S4 devices. The number of Segment Mask bits differs with the density. For 1 Gbit density, 8 segments are used. In Self-refresh mode, when the Segment Mask bit is configured, the refresh operation is masked in the segment.

DS: Drive Strength

Reset value is 2.

After the initialization sequence, as soon as the DS field is modified, Mode Register 3 is accessed automatically and DS bits are updated. Depending on the UPD_MR bit, update is done before entering Self-refresh mode or during a refresh command and a pending read or write access.

This field is unique to low-power DDR2-SDRAM. It selects the I/O drive strength:

Value	Name	Description
0	–	Reserved
1	DS_34_3	34.3 ohm typical
2	DS_40	40 ohm typical (default)
3	DS_48	48 ohm typical
4	DS_60	60 ohm typical
5	–	Reserved
6	DS_80	80 ohm typical
7	DS_120	120 ohm typical
8–15	–	Reserved

In case of low-power DDR2-SDRAM the RDIV field in the MPDDRC_IO_CALIBR register must be set to same value of DS field.

SAMA5D3 SERIES

29.7.11 MPDDRC Low-power DDR2 Calibration and MR4 Register

Name:MPDDRC_LPDDR2_CAL_MR4

Address:0xFFFFEA2C

Access:Read/Write

31	30	29	28	27	26	25	24
MR4_READ							
23	22	21	20	19	18	17	16
MR4_READ							
15	14	13	12	11	10	9	8
COUNT_CAL							
7	6	5	4	3	2	1	0
COUNT_CAL							

This register can only be written if the WPEN bit is cleared in the [MPDDRC Write Protection Mode Register](#).

COUNT_CAL: LPDDR2Calibration Timer Count

This 16-bit field is loaded into a timer which generates the calibration pulse. Each time the calibration pulse is generated, a ZQCS calibration sequence is initiated.

The ZQCS Calibration command is used to calibrate DRAM Ron values over PVT.

One method for calculating the interval between ZQCS commands gives the temperature ($T_{\text{driftrate}}$) and voltage ($V_{\text{driftrate}}$) drift rates that the SDRAM is subject to in the application. The interval could be defined by the following formula: $ZQ\text{Correction}/((T_{\text{Sens}} \times T_{\text{driftrate}}) + (V_{\text{Sens}} \times V_{\text{driftrate}}))$

Where $T_{\text{Sens}} = \max(\text{dRONdTM})$ and $V_{\text{Sens}} = \max(\text{dRONdVM})$ define the SDRAM temperature and voltage sensitivities.

For example, if $T_{\text{Sens}} = 0.75\%/C$, $V_{\text{Sens}} = 0.2\%/mV$, $T_{\text{driftrate}} = 1C/\text{sec}$ and $V_{\text{driftrate}} = 15 \text{ mV/s}$, then the interval between ZQCS commands is calculated as:

$$1.5/((0.75 \times 1) + (0.2 \times 15)) = 0.4\text{s}$$

In this example, the devices require a calibration every 0.4s. The value to be loaded depends on average time between REFRESH commands, t_{REF} .

For example, for a device with the time between refresh of $7.8 \mu\text{s}$, the value of the Calibration Timer Count field is programmed: $(0.4/7.8 \times 10^{-6}) = 0xC852$.

MR4_READ: Mode Register 4 Read Interval

MR4_READ defines the time period between MR4 reads (for LPDDR2-SDRAM). The formula is $(\text{MR4_READ}+1) \times t_{\text{REF}}$. The value to be loaded depends on the average time between REFRESH commands, t_{REF} . For example, for an LPDDR2-SDRAM with the time between refresh of $7.8 \mu\text{s}$, if the MR4_READ value is 2, the time period between MR4 reads is $23.4 \mu\text{s}$.

The LPDDR2-SDRAM devices feature a temperature sensor whose status can be read from MR4 register. This sensor can be used to determine an appropriate refresh rate. Temperature sensor data may be read from MR4 register using the Mode Register Read protocol. The Adjust Refresh Rate bit (ADJ_REF) in the Refresh Timer Register (MPDDRC_RTR) must be written to a one to activate these reads.

29.7.12 MPDDRC Low-power DDR2 Timing Calibration Register

Name:MPDDRC_LPDDR2_TIM_CAL

Address:0xFFFFEA30

Access:Read/Write

31	30	29	28	27	26	25	24
–	–	–	–	–	–	–	–
23	22	21	20	19	18	17	16
–	–	–	–	–	–	–	–
15	14	13	12	11	10	9	8
–	–	–	–	–	–	–	–
7	6	5	4	3	2	1	0
ZQCS							

ZQCS: ZQ Calibration Short

Reset value is 6 DDRCK⁽¹⁾ clock cycles.

This field defines the delay between the ZQ Calibration command and any valid command in number of DDRCK⁽¹⁾ clock cycles.

The number of cycles is between 0 and 255.

Note 1: DDRCK is the clock that drives the SDRAM device.

SAMA5D3 SERIES

29.7.13 MPDDRC I/O Calibration Register

Name:MPDDRC_IO_CALIBR

Address:0xFFFFEA34

Access:Read/Write

31	30	29	28	27	26	25	24
–	–	–	–	–	–	–	–
23	22	21	20	19	18	17	16
CALCODEN				CALCODEP			
15	14	13	12	11	10	9	8
–	–	–	–	–	TZQIO		
7	6	5	4	3	2	1	0
–	–	–		–	RDIV		

RDIV: Resistor Divider, Output Driver Impedance

Reset value is 2.

With the LPDDR2-SDRAM device, the RDIV field must be equal to the DS (Drive Strength) field of the [MPDDRC Low-power DDR2 Low-power Register](#).

RDIV is used with the external precision resistor RZQ to define the output driver impedance. The value of RZQ is either 240 ohms (LPDDR2 mode) or 200 ohms (DDR2/LPDDR1 device).

Value	Name	Description
1	RZQ_34	LP-DDR2 serial impedance line = 34.3 ohms, DDR2/LP-DDR1 serial impedance line: Not applicable
2	RZQ_40_RZQ_33_3	LP-DDR2 serial impedance line = 40 ohms, DDR2/LP-DDR1 serial impedance line = 33.3 ohms
3	RZQ_48_RZQ_40	LP-DDR2 serial impedance line = 48 ohms, DDR2/LP-DDR1 serial impedance line = 40 ohms
4	RZQ_60_RZQ_50	LP-DDR2 serial impedance line = 60 ohms, DDR2/LP-DDR1 serial impedance line = 50 ohms
6	RZQ_80_RZQ_66_7	LP-DDR2 serial impedance line = 80 ohms, DDR2/LP-DDR1 serial impedance line = 66.7 ohms
7	RZQ_120_RZQ_100	LP-DDR2 serial impedance line = 120 ohms, DDR2/LP-DDR1 serial impedance line = 100 ohms

TZQIO: IO Calibration

This field defines the delay between an IO Calibration command and any valid command in number of DDRCK⁽¹⁾ clock cycles.

The number of cycles is between 0 and 7.

The TZQIO configuration code must be set correctly depending on the clock frequency using the following formula:

$$TZQIO = (DDRCK \times 20e-9) + 1$$

where DDRCK frequency is in Hz.

For example, for a frequency of 176 MHz, the value of the TZQIO field is configured $(176 \times 10e6) \times (20 \times 10e-9) + 1$.

CALCODEP: Number of Transistor P

This register is read-only. Reset value is 7.

This value gives the number of transistor P to perform the calibration.

CALCODEN: Number of Transistor N

This register is read-only. Reset value is 8.

This value gives the number of transistor N to perform the calibration.

Note 1: DDRCK is the clock that drives the SDRAM device.

SAMA5D3 SERIES

29.7.14 MPDDRC OCMS Register

Name:MPDDRC_OCMS

Address:0xFFFFEA38

Access:Read/Write

31	30	29	28	27	26	25	24
–	–	–	–	–	–	–	–
23	22	21	20	19	18	17	16
–	–	–	–	–	–	–	–
15	14	13	12	11	10	9	8
–	–	–	–	–	–	–	–
7	6	5	4	3	2	1	0
–	–	–	–	–	–	–	SCR_EN

This register can only be written if the WPEN bit is cleared in the [MPDDRC Write Protection Mode Register](#).

SCR_EN: Scrambling Enable

0: Disables “Off-chip” scrambling for SDRAM access.

1: Enables “Off-chip” scrambling for SDRAM access.

29.7.15 MPDDRC OCMS KEY1 Register

Name:MPDDRC_OCMS_KEY1

Address:0xFFFFEA3C

Access:Write once

31	30	29	28	27	26	25	24
KEY1							
23	22	21	20	19	18	17	16
KEY1							
15	14	13	12	11	10	9	8
KEY1							
7	6	5	4	3	2	1	0
KEY1							

This register can only be written if the WPEN bit is cleared in the [MPDDRC Write Protection Mode Register](#).

KEY1: Off-chip Memory Scrambling (OCMS) Key Part 1

When Off-chip Memory Scrambling is enabled, the data scrambling depends on KEY1 and KEY2 values.

SAMA5D3 SERIES

29.7.16 MPDDRC OCMS KEY2 Register

Name:MPDDRC_OCMS_KEY2

Address:0xFFFFEA40

Access:Write once

31	30	29	28	27	26	25	24
KEY2							
23	22	21	20	19	18	17	16
KEY2							
15	14	13	12	11	10	9	8
KEY2							
7	6	5	4	3	2	1	0
KEY2							

This register can only be written if the WPEN bit is cleared in the [MPDDRC Write Protection Mode Register](#).

KEY2: Off-chip Memory Scrambling (OCMS) Key Part 2

When Off-chip Memory Scrambling is enabled, the data scrambling depends on KEY1 and KEY2 values.

29.7.17 MPDDRC Write Protection Mode Register

Name:MPDDRC_WPMR

Address:0xFFFFEAE4

Access:Read/Write

31	30	29	28	27	26	25	24
WPKEY							
23	22	21	20	19	18	17	16
WPKEY							
15	14	13	12	11	10	9	8
WPKEY							
7	6	5	4	3	2	1	0
-	-	-	-	-	-	-	WPEN

WPEN: Write Protection Enable

0: Disables the write protection if WPKEY corresponds to 0x444452 ("DDR" in ASCII).

1: Enables the write protection if WPKEY corresponds to 0x444452 ("DDR" in ASCII).

See [Section 29.7 AHB Multi-port DDR-SDRAM Controller \(MPDDRC\) User Interface](#) for the list of registers that can be protected.

WPKEY: Write Protection Key

Value	Name	Description
0x444452	PASSWD	Writing any other value in this field aborts the write operation of the WPEN bit. Always reads as 0.

SAMA5D3 SERIES

29.7.18 MPDDRC Write Protection Status Register

Name:MPDDRC_WPSR

Address:0xFFFFEAE8

Access:Read-only

31	30	29	28	27	26	25	24
–	–	–	–	–	–	–	–
23	22	21	20	19	18	17	16
WPVSRC							
15	14	13	12	11	10	9	8
WPVSRC							
7	6	5	4	3	2	1	0
–	–	–	–	–	–	–	WPVS

WPVS: Write Protection Enable

0: No write protection violation occurred since the last read of this register (MPDDRC_WPSR).

1: A write protection violation occurred since the last read of this register (MPDDRC_WPSR). If this violation is an unauthorized attempt to write a control register, the associated violation is reported into the WPVSRC field.

WPVSRC: Write Protection Violation Source

When WPVS = 1, WPVSRC indicates the register address offset at which a write access has been attempted.

29.7.19 MPDDRC DLL Master Offset Register

Name:MPDDRC_DLL_MO

Address:0xFFFFEA74

Access: Read/Write

31	30	29	28	27	26	25	24	
–	–	–	–	–	–	–	–	
23	22	21	20	19	18	17	16	
–	–	–	–	–	–	–	SELOFF	
15	14	13	12	11	10	9	8	
–	–	–	CLK90OFF					–
7	6	5	4	3	2	1	0	
–	–	–	–	MOFF				–

A key is needed to write this register. To generate the key, the value of bits 31:24 must be 0xC5.

MOFF: DLL Master Delay Line Offset

The value stored by this field is unsigned. To optimize DDR timings, the recommended value of this field is 7.

When this field is written, the programmable Master delay line offset is written.

When this field is read:

- If SELOFF = 0: The hard-coded Master delay line offset is read.
- If SELOFF = 1: The programmable Master delay line offset is read.

CLK90OFF: DLL CLK90 Delay Line Offset

The value stored by this field is signed. To optimize DDR timings, the recommended value of this field is 0x1F.

When this field is written, the programmable CLK90 delay line offset is written.

When this field is read:

- If SELOFF = 0: The hard-coded CLK90 delay line offset is read.
- If SELOFF = 1: The programmable CLK90 delay line offset is read.

SELOFF: DLL Offset Selection

0: The hard-coded Master/Slave x/CLK90 delay line offsets are selected.

1: The programmable Master/Slave x/CLK90 delay line offsets are selected.

SAMA5D3 SERIES

29.7.20 MPDDRC DLL Slave Offset Register

Name:MPDDRC_DLL_SOF

Address:0xFFFFEA78

Access: Read/Write

31	30	29	28	27	26	25	24
–	–	–	S3OFF				
23	22	21	20	19	18	17	16
–	–	–	S2OFF				
15	14	13	12	11	10	9	8
–	–	–	S1OFF				
7	6	5	4	3	2	1	0
–	–	–	S0OFF				

SxOFF: DLL Slave x Delay Line Offset ([x = 0..3])

The value stored by this field is signed.

To optimize DDR2 timings, the recommended field values are the following:

S0OFF: 1

S1OFF: 0

S2OFF: 1

S3OFF: 1

To optimize LPDDR2 timings, the recommended field values are the following:

S0OFF: 4

S1OFF: 3

S2OFF: 4

S3OFF: 4

When this field is written, the programmable Slave x delay line offset is written.

When this field is read:

- If MPDDRC_DLL MOR.SELOFF = 0: The hard-coded Slave x delay line offset is read.
- If MPDDRC_DLL MOR.SELOFF = 1: The programmable Slave x delay line offset is read.

29.7.21 MPDDRC DLL Master Status Register

Name:MPDDRC_DLL_MS

Address:0xFFFFEA7C

Access: Read-only

31	30	29	28	27	26	25	24
–	–	–	–	–	–	–	–
23	22	21	20	19	18	17	16
–	–	–	–	–	–	–	–
15	14	13	12	11	10	9	8
MDVAL							
7	6	5	4	3	2	1	0
–	–	–	–	–	MDOVF	MDDEC	MDINC

MDINC: DLL Master Delay Increment

0: The DLL is not incrementing the Master delay counter.

1: The DLL is incrementing the Master delay counter.

MDDEC: DLL Master Delay Decrement

0: The DLL is not decrementing the Master delay counter.

1: The DLL is decrementing the Master delay counter.

MDOVF: DLL Master Delay Overflow Flag

0: The Master delay counter has not reached its maximum value, or the Master is not locked yet

1: The Master delay counter has reached its maximum value, the Master delay counter increment is stopped and the DLL forces the Master lock. If this flag is set, it means the MPDDRC clock frequency is too low compared to Master delay line number of elements.

MDVAL: DLL Master Delay Value

Value of the Master delay counter.

SAMA5D3 SERIES

29.7.22 MPDDRC DLL Status Slave x Register

Name:MPDDRC_DLL_SSx

Address:0xFFFFEA80

Access: Read-only

31	30	29	28	27	26	25	24
–	–	–	–	–	–	–	–
23	22	21	20	19	18	17	16
SDCVAL							
15	14	13	12	11	10	9	8
SDVAL							
7	6	5	4	3	2	1	0
–	–	–	–	–	SDERF	SDCUDF	SDCOVF

SDCOVF: DLL Slave x Delay Correction Overflow Flag

0: Due to the correction, the Slave x delay counter has not reached its maximum value, or the Slave x is not locked yet.

1: Due to the correction, the Slave x delay counter has reached its maximum value, the correction is not optimal because it has not been entirely applied.

SDCUDF: DLL Slave x Delay Correction Underflow Flag

0: Due to the correction, the Slave x delay counter has not reached its minimum value, or the Slave x is not locked yet.

1: Due to the correction, the Slave x delay counter has reached its minimum value, the correction is not optimal because it has not been entirely applied.

SDERF: DLL Slave x Delay Correction Error Flag

0: The DLL has succeeded in computing the Slave x delay correction, or the Slave x is not locked yet.

1: The DLL has not succeeded in computing the Slave x delay correction.

SDVAL: DLL Slave x Delay Value

Value of the Slave x delay counter.

SDCVAL: DLL Slave x Delay Correction Value

Value of the correction applied to the Slave x delay.

30. Static Memory Controller (SMC)

30.1 Description

This Static Memory Controller (SMC) is capable of handling several types of external memory and peripheral devices, such as SRAM, PSRAM, PROM, EPROM, EEPROM, LCD Module, NOR Flash and NAND Flash.

The SMC generates the signals that control the access to external memory devices or peripheral devices. It has 4 Chip Selects and a 26-bit address bus. The 16-bit data bus can be configured to interface with 8- or 16-bit external devices. Separate read and write control signals allow for direct memory and peripheral interfacing. Read and write signal waveforms are fully parametrizable.

The SMC can manage wait requests from external devices to extend the current access. The SMC is provided with an automatic Slow Clock mode. In Slow Clock mode, it switches from user-programmed waveforms to slow-rate specific waveforms on read and write signals.

The SMC embeds a NAND Flash Controller (NFC). The NFC can handle automatic transfers, sending the commands and address cycles to the NAND Flash and transferring the contents of the page (for read and write) to the NFC SRAM. It minimizes the CPU overhead.

The SMC includes programmable hardware error correcting code with one-bit error correction capability and supports two-bit error detection. In order to improve the overall system performance, the DATA phase of the transfer can be DMA-assisted.

The External Data Bus can be scrambled/unscrambled by means of user keys.

30.4 I/O Lines Description

Table 30-1: I/O Line Description

Name	Description	Type	Active Level
NCS[3:0]	Static Memory Controller Chip Select Lines	Output	Low
NRD	Read Signal	Output	Low
NWR0/NWE	Write 0/Write Enable Signal	Output	Low
A0/NBS0	Address Bit 0/Byte 0 Select Signal	Output	Low
NWR1/NBS1	Write 1/Byte 1 Select Signal	Output	Low
A[25:1]	Address Bus	Output	–
D[15:0]	Data Bus	I/O	–
NWAIT	External Wait Signal	Input	Low
NANDRDY	NAND Flash Ready/Busy	Input	–
NANDWE	NAND Flash Write Enable	Output	Low
NANDOE	NAND Flash Output Enable	Output	Low
NANDALE	NAND Flash Address Latch Enable	Output	–
NANDCLE	NAND Flash Command Latch Enable	Output	–

30.5 Multiplexed Signals

Table 30-2: Static Memory Controller (SMC) Multiplexed Signals

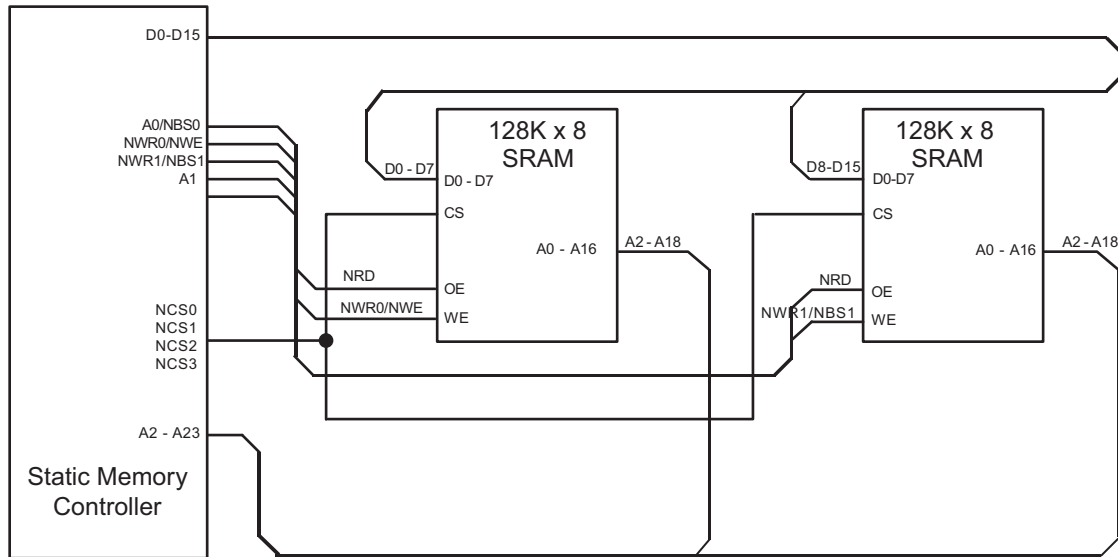
Multiplexed Signals		Related Function
NWR0	NWE	Byte-write or Byte-select access, see Section 30.9.2.1 Byte Write Access and Section 30.9.2.2 Byte Select Access
A0	NBS0	8-bit or 16-bit data bus, see Section 30.9.1 Data Bus Width
A22	NANDCLE	NAND Flash Command Latch Enable
A21	NANDALE	NAND Flash Address Latch Enable
NWR1	NBS1	Byte-write or Byte-select access, see Section 30.9.2.1 Byte Write Access and Section 30.9.2.2 Byte Select Access
A1	–	8-/16-bit data bus, see Section 30.9.1 Data Bus Width Byte-write or Byte-select access, see Section 30.9.2.1 Byte Write Access and Section 30.9.2.2 Byte Select Access

SAMA5D3 SERIES

30.6 Application Example

30.6.1 Hardware Interface

Figure 30-2: SMC Connections to Static Memory Devices



30.7 Product Dependencies

30.7.1 I/O Lines

The pins used for interfacing the Static Memory Controller are multiplexed with the PIO lines. The programmer must first program the PIO controller to assign the Static Memory Controller pins to their peripheral function. If I/O lines of the SMC are not used by the application, they can be used for other purposes by the PIO controller.

Table 30-3: I/O Lines

Instance	Signal	I/O Line	Peripheral
SMC	A0/NBS0	PE0	A
SMC	A1	PE1	A
SMC	A2	PE2	A
SMC	A3	PE3	A
SMC	A4	PE4	A
SMC	A5	PE5	A
SMC	A6	PE6	A
SMC	A7	PE7	A
SMC	A8	PE8	A
SMC	A9	PE9	A
SMC	A10	PE10	A
SMC	A11	PE11	A
SMC	A12	PE12	A
SMC	A13	PE13	A
SMC	A14	PE14	A
SMC	A15	PE15	A
SMC	A16	PE16	A
SMC	A17	PE17	A
SMC	A18	PE18	A
SMC	A19	PE19	A
SMC	A20	PE20	A
SMC	A21/NANDALE	PE21	A
SMC	A22/NANDCLE	PE22	A
SMC	A23	PE23	A
SMC	A24	PE24	A
SMC	A25	PE25	A
SMC	NCS0	PE26	A
SMC	NCS1	PE27	A
SMC	NCS2	PE28	A
SMC	NWAIT	PE30	A
SMC	NWR1/NBS1	PE29	A

SAMA5D3 SERIES

30.7.2 Power Management

The SMC is clocked through the Power Management Controller (PMC), thus the programmer must first configure the PMC to enable the SMC clock.

30.7.3 Interrupt Sources

The SMC has an interrupt line connected to the interrupt controller. Handling the SMC interrupt requires programming the interrupt controller before configuring the SMC.

Table 30-4: Peripheral IDs

Instance	ID
SMC	5

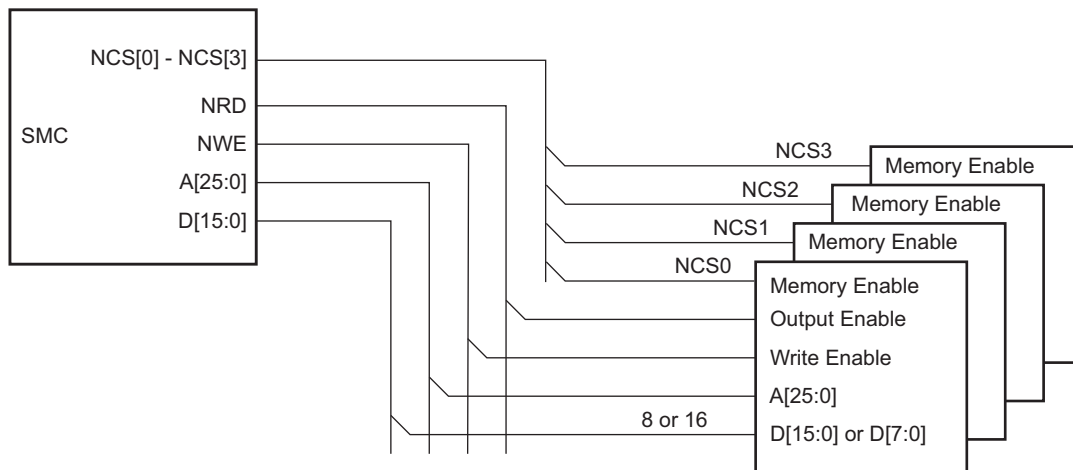
30.8 External Memory Mapping

The SMC provides up to 26 address lines, A[25:0]. This allows each chip select line to address up to 64 Mbytes of memory.

If the physical memory device connected on one chip select is smaller than 64 Mbytes, it wraps around and appears to be repeated within this space. The SMC correctly handles any valid access to the memory device within the page (see [Figure 30-3](#)).

A[25:0] is only significant for 8-bit memory; A[25:1] is used for 16-bit memory.

Figure 30-3: Memory Connections for External Devices



30.9 Connection to External Devices

30.9.1 Data Bus Width

A data bus width of 8 or 16 bits can be selected for each chip select. This option is controlled by the bit DBW in the SMC Mode Register (HSMC_MODE) for the corresponding chip select.

Figure 30-4 shows how to connect a 512 KB x 8-bit memory on NCS2. Figure 30-5 shows how to connect a 512 KB x 16-bit memory on NCS2.

Figure 30-4: Memory Connection for an 8-bit Data Bus

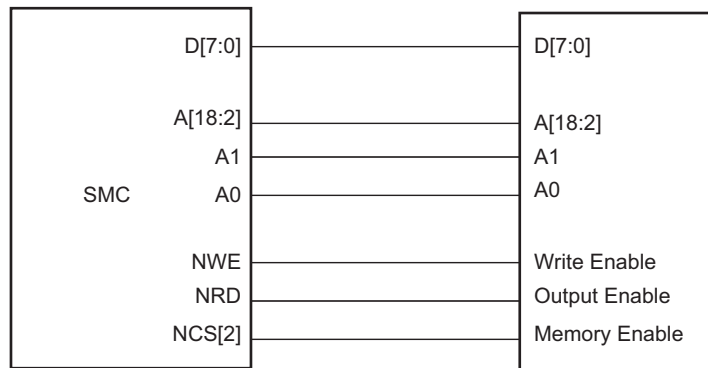
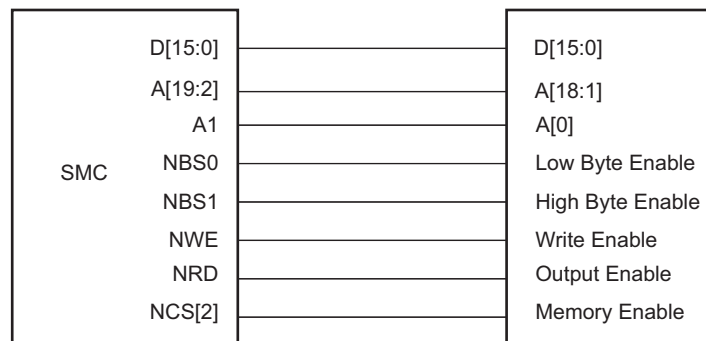


Figure 30-5: Memory Connection for a 16-bit Data Bus



30.9.2 Byte Write or Byte Select Access

Each chip select with a 16-bit data bus can operate with one of two different types of write access: Byte Write or Byte Select. This is controlled by the BAT bit of the HSMC_MODE register for the corresponding chip select.

30.9.2.1 Byte Write Access

Byte Write Access is used to connect 2 x 8-bit devices as a 16-bit memory, and supports one write signal per byte of the data bus and a single read signal.

Note that the SMC does not allow boot in Byte Write Access mode.

For 16-bit devices, the SMC provides NWR0 and NWR1 write signals for respectively Byte0 (lower byte) and Byte1 (upper byte) of a 16-bit bus. One single read signal (NRD) is provided.

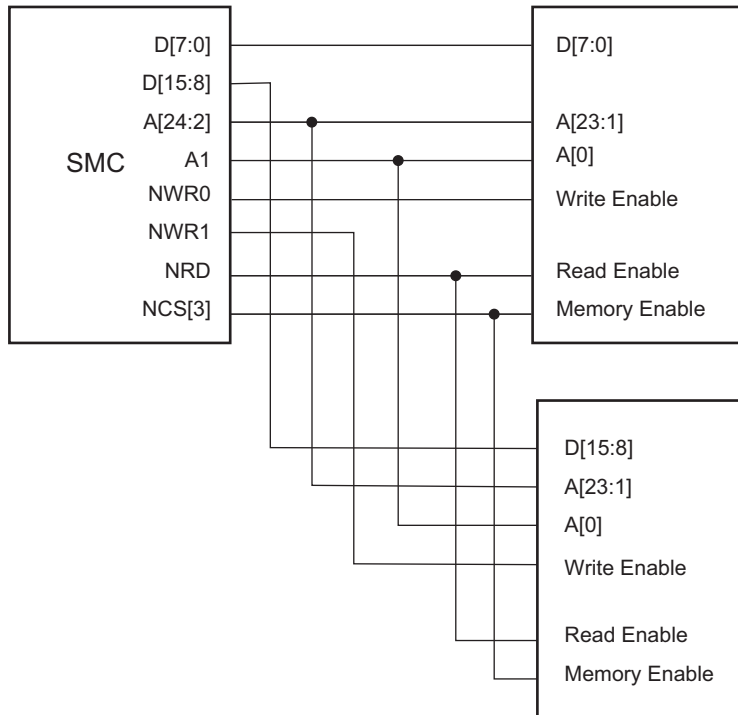
30.9.2.2 Byte Select Access

Byte Select Access is used to connect one 16-bit device. In this mode, read/write operations can be enabled/disabled at Byte level. One Byte-select line per byte of the data bus is provided. One NRD and one NWE signal control read and write.

For 16-bit devices, the SMC provides NBS0 and NBS1 selection signals for respectively Byte0 (lower byte) and Byte1 (upper byte) of a 16-bit bus.

SAMA5D3 SERIES

Figure 30-6: Connection of 2 x 8-bit Devices on a 16-bit Bus: Byte Write Option



30.9.2.3 Signal Multiplexing

Depending on the Byte Access Type (BAT), only the write signals or the byte select signals are used. To save IOs at the external bus interface, control signals at the SMC interface are multiplexed. Table 30-5 shows signal multiplexing depending on the data bus width and the Byte Access Type.

For 16-bit devices, bit A0 of address is unused. When Byte Select Option is selected, NWR1 is unused. When Byte Write option is selected, NBS0 is unused.

Table 30-5: SMC Multiplexed Signal Translation

Device Type	Signal Name		
	16-bit Bus		8-bit Bus
	1 x 16-bit	2 x 8-bit	1 x 8-bit
Byte Access Type (BAT)	Byte Select	Byte Write	–
NBS0_A0	NBS0	–	A0
NWE_NWR0	NWE	NWR0	NWE
NBS1_NWR1	NBS1	NWR1	–
A1	A1	A1	A1

30.10 Standard Read and Write Protocols

In the following sections, the Byte Access Type is not considered. Byte select lines (NBS0 to NBS1) always have the same timing as the A address bus. NWE represents either the NWE signal in byte select access type or one of the byte write lines (NWR0 to NWR1) in byte write access type. NWR0 to NWR1 have the same timings and protocol as NWE. In the same way, NCS represents one of the NCS[0..3] chip select lines.

30.10.1 Read Waveforms

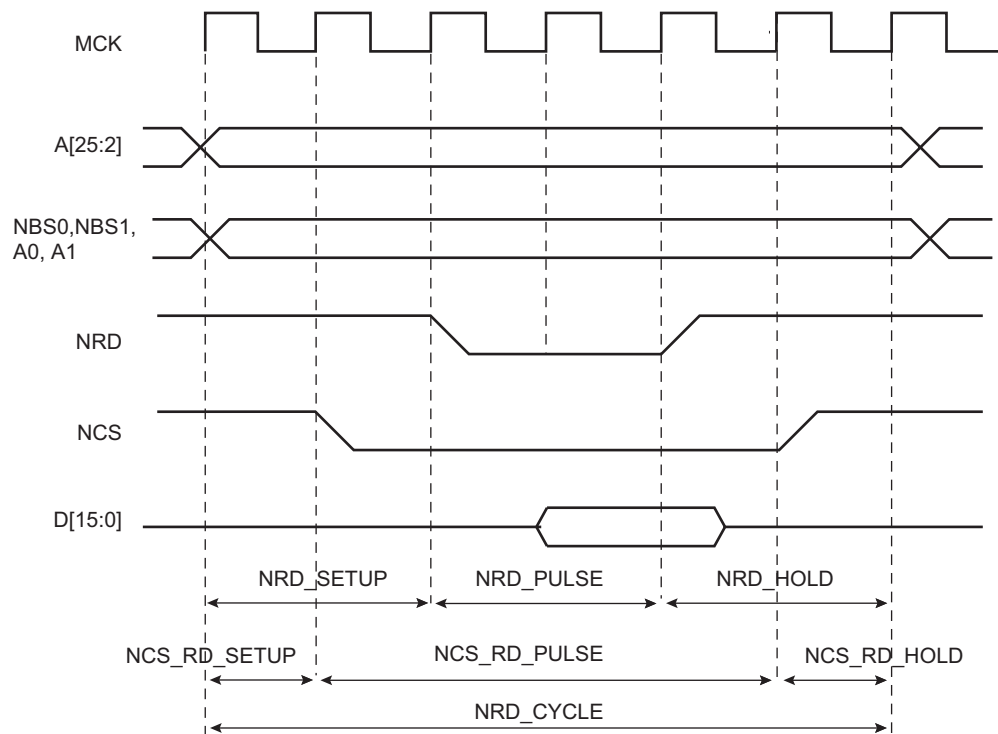
The read cycle is shown on [Figure 30-7](#).

The read cycle starts with the address setting on the memory address bus, i.e.,:

{A[25:2], A1, A0} for 8-bit devices

{A[25:2], A1} for 16-bit devices

Figure 30-7: Standard Read Cycle



30.10.1.1 NRD Waveform

The NRD signal is characterized by a setup timing, a pulse width and a hold timing:

1. **NRD_SETUP:** The NRD setup time is defined as the setup of address before the NRD falling edge.
2. **NRD_PULSE:** The NRD pulse length is the time between NRD falling edge and NRD rising edge.
3. **NRD_HOLD:** The NRD hold time is defined as the hold time of address after the NRD rising edge.

SAMA5D3 SERIES

30.10.1.2 NCS Waveform

Similar to the NRD signal, the NCS signal can be divided into a setup time, pulse length and hold time:

- NCS_RD_SETUP: The NCS setup time is defined as the setup time of address before the NCS falling edge.
- NCS_RD_PULSE: The NCS pulse length is the time between NCS falling edge and NCS rising edge.
- NCS_RD_HOLD: The NCS hold time is defined as the hold time of address after the NCS rising edge.

30.10.1.3 Read Cycle

The NRD_CYCLE time is defined as the total duration of the read cycle, that is, from the time where address is set on the address bus to the point where address may change. The total read cycle time is defined as:

$$\text{NRD_CYCLE} = \text{NRD_SETUP} + \text{NRD_PULSE} + \text{NRD_HOLD},$$

as well as

$$\text{NRD_CYCLE} = \text{NCS_RD_SETUP} + \text{NCS_RD_PULSE} + \text{NCS_RD_HOLD}$$

All NRD and NCS timings are defined separately for each chip select as an integer number of Master Clock cycles. The NRD_CYCLE field is common to both the NRD and NCS signals, thus the timing period is of the same duration.

NRD_CYCLE, NRD_SETUP, and NRD_PULSE implicitly define the NRD_HOLD value as:

$$\text{NRD_HOLD} = \text{NRD_CYCLE} - \text{NRD_SETUP} - \text{NRD_PULSE}$$

NRD_CYCLE, NCS_RD_SETUP, and NCS_RD_PULSE implicitly define the NCS_RD_HOLD value as:

$$\text{NCS_RD_HOLD} = \text{NRD_CYCLE} - \text{NCS_RD_SETUP} - \text{NCS_RD_PULSE}$$

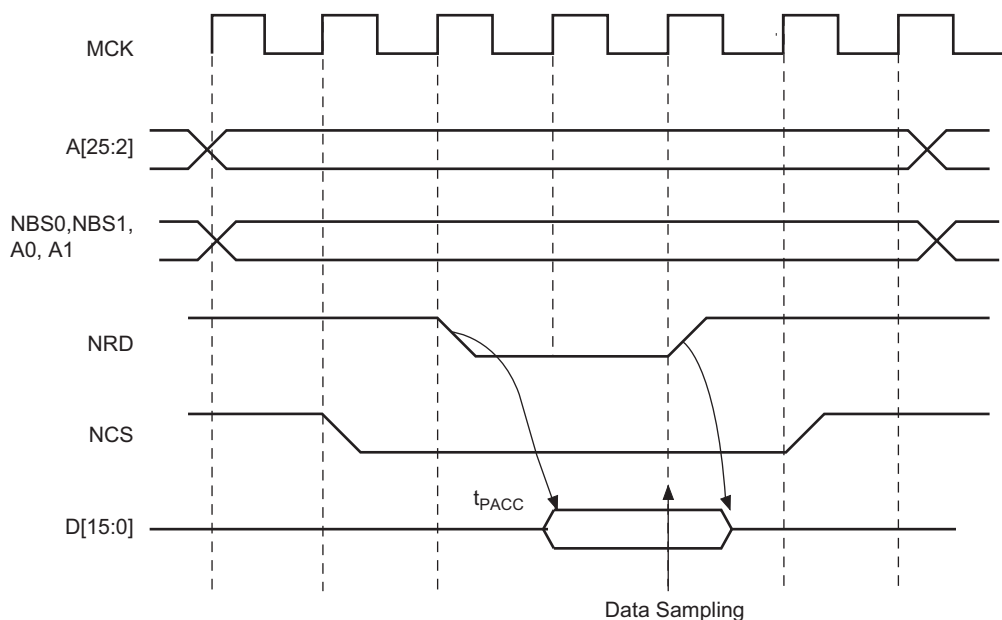
30.10.2 Read Mode

As NCS and NRD waveforms are defined independently of one another, the SMC needs to know when the read data is available on the data bus. The SMC does not compare NCS and NRD timings to know which signal rises first. The READ_MODE parameter in the HSMC_MODE register of the corresponding chip select indicates which signal of NRD and NCS controls the read operation.

30.10.2.1 Read is Controlled by NRD (READ_MODE = 1)

Figure 30-8 shows the waveforms of a read operation of a typical asynchronous RAM. The read data is available t_{PACC} after the falling edge of NRD, and turns to 'Z' after the rising edge of NRD. In this case, the READ_MODE must be set to 1 (read is controlled by NRD), to indicate that data is available with the rising edge of NRD. The SMC samples the read data internally on the rising edge of the Master Clock that generates the rising edge of NRD, whatever the programmed waveform of NCS.

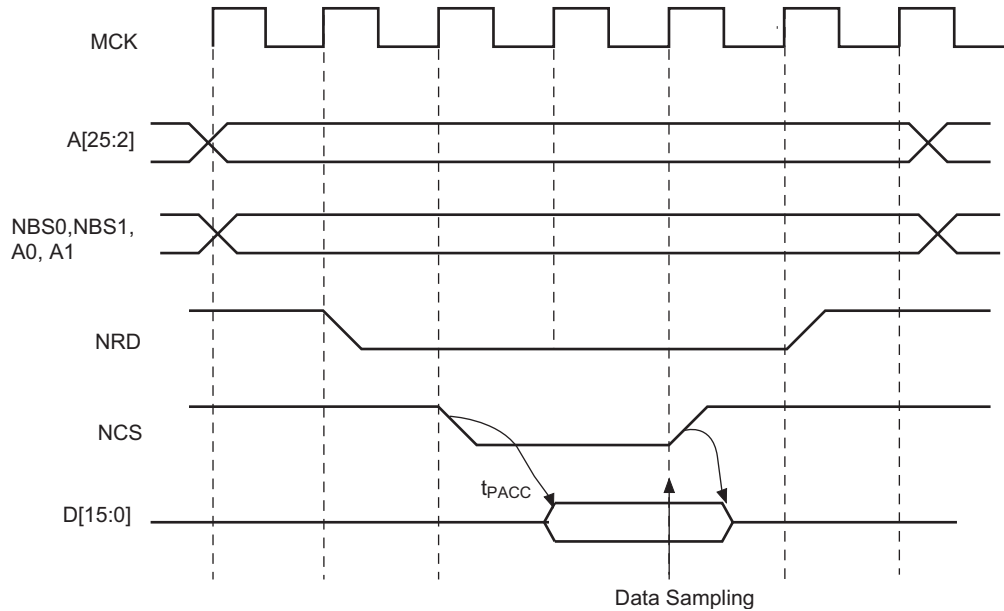
Figure 30-8: READ_MODE = 1: Data is Sampled by SMC before the Rising Edge of NRD



30.10.2.2 Read is Controlled by NCS (READ_MODE = 0)

Figure 30-9 shows the typical read cycle. The read data is valid t_{PACC} after the falling edge of the NCS signal and remains valid until the rising edge of NCS. Data must be sampled when NCS is raised. In that case, the READ_MODE must be configured to 0 (read is controlled by NCS): the SMC internally samples the data on the rising edge of the Master Clock that generates the rising edge of NCS, whatever the programmed waveform of NRD.

Figure 30-9: READ_MODE = 0: Data is Sampled by SMC before the Rising Edge of NCS



SAMA5D3 SERIES

30.10.3 Write Waveforms

The write protocol is similar to the read protocol. It is depicted in [Figure 30-10](#). The write cycle starts with the address setting on the memory address bus.

30.10.3.1 NWE Waveforms

The NWE signal is characterized by a setup timing, a pulse width and a hold timing:

- NWE_SETUP: The NWE setup time is defined as the setup of address and data before the NWE falling edge.
- NWE_PULSE: The NWE pulse length is the time between NWE falling edge and NWE rising edge.
- NWE_HOLD: The NWE hold time is defined as the hold time of address and data after the NWE rising edge.

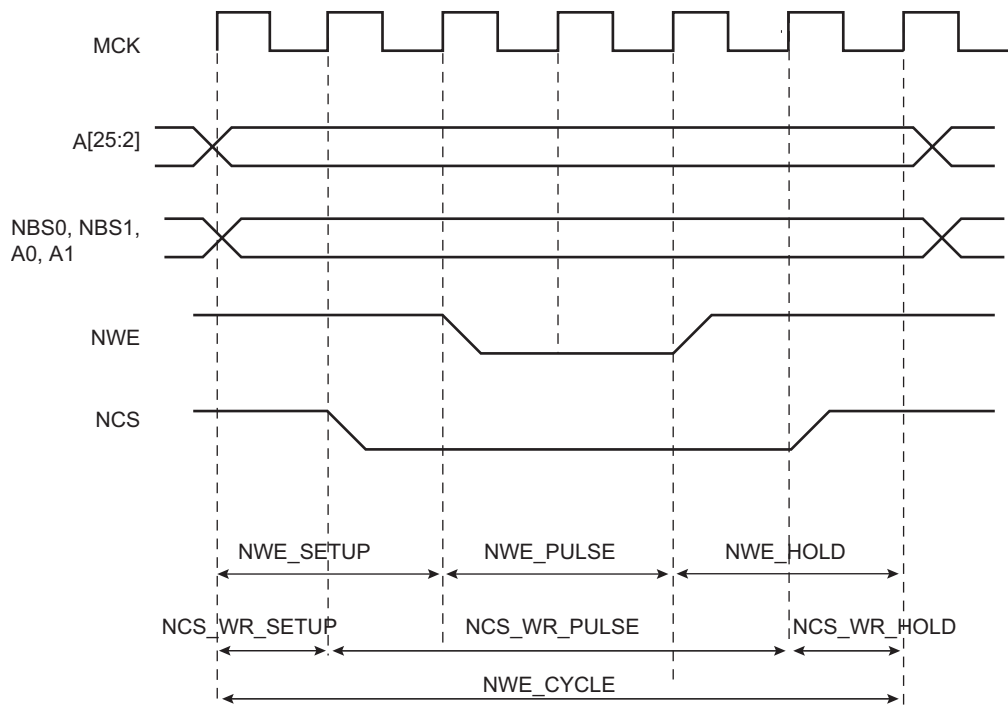
The NWE waveforms apply to all byte-write lines in Byte Write Access mode: NWR0 to NWR3.

30.10.3.2 NCS Waveforms

The NCS signal waveforms in write operations are not the same as those applied in read operations, but are separately defined:

- NCS_WR_SETUP: The NCS setup time is defined as the setup time of address before the NCS falling edge.
- NCS_WR_PULSE: The NCS pulse length is the time between NCS falling edge and NCS rising edge.
- NCS_WR_HOLD: The NCS hold time is defined as the hold time of address after the NCS rising edge.

Figure 30-10: Write Cycle



30.10.3.3 Write Cycle

The write cycle time is defined as the total duration of the write cycle, that is, from the time where address is set on the address bus to the point where address may change. The total write cycle time is equal to:

$$\text{NWE_CYCLE} = \text{NWE_SETUP} + \text{NWE_PULSE} + \text{NWE_HOLD},$$

as well as

$$\text{NWE_CYCLE} = \text{NCS_WR_SETUP} + \text{NCS_WR_PULSE} + \text{NCS_WR_HOLD}$$

All NWE and NCS (write) timings are defined separately for each chip select as an integer number of Master Clock cycles. The NWE_CYCLE field is common to both the NWE and NCS signals, thus the timing period is of the same duration.

NWE_CYCLE, NWE_SETUP, and NWE_PULSE implicitly define the NWE_HOLD value as:

$$\text{NWE_HOLD} = \text{NWE_CYCLE} - \text{NWE_SETUP} - \text{NWE_PULSE}$$

NWE_CYCLE, NCS_WR_SETUP, and NCS_WR_PULSE implicitly define the NCS_WR_HOLD value as:

$$\text{NCS_WR_HOLD} = \text{NWE_CYCLE} - \text{NCS_WR_SETUP} - \text{NCS_WR_PULSE}$$

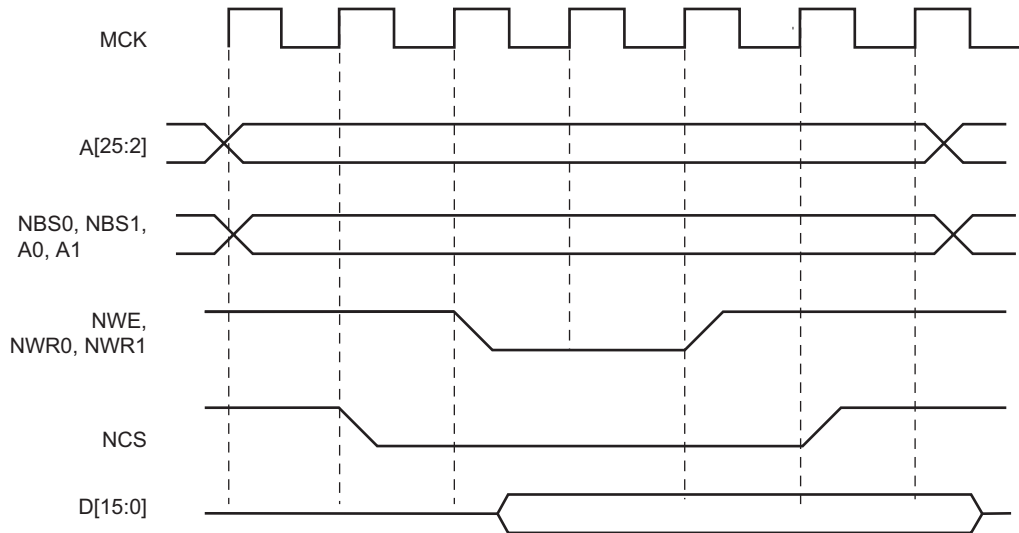
30.10.4 Write Mode

The WRITE_MODE parameter in the HSMC_MODE register of the corresponding chip select indicates which signal controls the write operation.

30.10.4.1 Write is Controlled by NWE (WRITE_MODE = 1)

Figure 30-11 shows the waveforms of a write operation with WRITE_MODE set to 1. The data is put on the bus during the pulse and hold steps of the NWE signal. The internal data buffers are switched to Output mode after the NWE_SETUP time, and until the end of the write cycle, regardless of the programmed waveform on NCS.

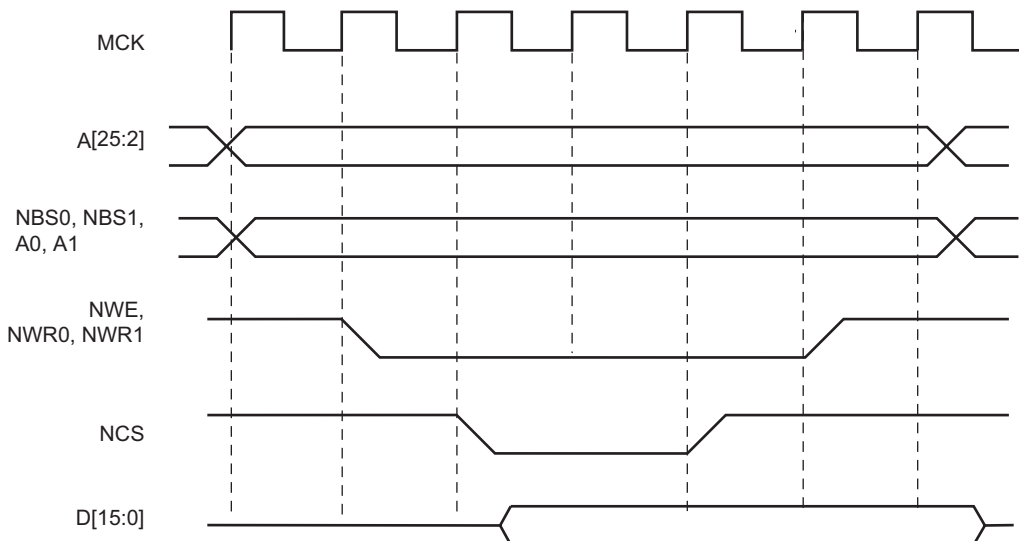
Figure 30-11: WRITE_MODE = 1. The write operation is controlled by NWE



30.10.4.2 Write is Controlled by NCS (WRITE_MODE = 0)

Figure 30-12 shows the waveforms of a write operation with WRITE_MODE configured to 0. The data is put on the bus during the pulse and hold steps of the NCS signal. The internal data buffers are switched to Output mode after the NCS_WR_SETUP time, and until the end of the write cycle, regardless of the programmed waveform on NWE.

Figure 30-12: WRITE_MODE = 0. The write operation is controlled by NCS



SAMA5D3 SERIES

30.10.5 Coding Timing Parameters

All timing parameters are defined for one chip select and are grouped together in one register according to their type:

- The HSMC_SETUP register groups the definition of all setup parameters: NRD_SETUP, NCS_RD_SETUP, NWE_SETUP, NCS_WR_SETUP
- The HSMC_PULSE register groups the definition of all pulse parameters: NRD_PULSE, NCS_RD_PULSE, NWE_PULSE, NCS_WR_PULSE
- The HSMC_CYCLE register groups the definition of all cycle parameters: NRD_CYCLE, NWE_CYCLE

Table 30-6 shows how the timing parameters are coded and their permitted range.

Table 30-6: Coding and Range of Timing Parameters

Coded Value	Number of Bits	Effective Value	Permitted Range	
			Coded Value	Effective Value
setup [5:0]	6	128 x setup[5] + setup[4:0]	$0 \leq \text{setup} \leq 31$	0..31
			$32 \leq \text{setup} \leq 63$	128..(128 + 31)
pulse [6:0]	7	256 x pulse[6] + pulse[5:0]	$0 \leq \text{pulse} \leq 63$	0..63
			$64 \leq \text{pulse} \leq 127$	256..(256 + 63)
cycle[8:0]	9	256 x cycle[8:7] + cycle[6:0]	$0 \leq \text{cycle} \leq 127$	0..127
			$128 \leq \text{cycle} \leq 255$	256..(256 + 127)
			$256 \leq \text{cycle} \leq 383$	512..(512 + 127)
			$384 \leq \text{cycle} \leq 511$	768..(768 + 127)

30.10.6 Reset Values of Timing Parameters

Table 30-7 gives the default value of timing parameters at reset.

Table 30-7: Reset Values of Timing Parameters

Register	Reset Value	Description
HSMC_SETUP	–	All setup timings are set to 1
HSMC_PULSE	–	All pulse timings are set to 1
HSMC_CYCLE	–	The read and write operations last three Master Clock cycles and provide one hold cycle.
WRITE_MODE	1	Write is controlled with NWE
READ_MODE	1	Read is controlled with NRD

30.10.7 Usage Restriction

The SMC does not check the validity of the user-programmed parameters. If the sum of SETUP and PULSE parameters is larger than the corresponding CYCLE parameter, this leads to an unpredictable behavior of the SMC.

30.10.7.1 For Read Operations

Null but positive setup and hold of address and NRD and/or NCS cannot be guaranteed at the memory interface because of the propagation delay of these signals through external logic and pads. When positive setup and hold values must be verified, then it is strictly recommended to program non-null values so as to cover possible skews between address, NCS and NRD signals.

30.10.7.2 For Write Operations

If a null hold value is programmed on NWE, the SMC can ensure a positive hold of address, byte select lines, and NCS signal after the rising edge of NWE. This is true for WRITE_MODE = 1 only. See [Section 30.12.2 Early Read Wait State](#).

30.10.7.3 For Read and Write Operations

A null value for pulse parameters is forbidden and may lead to an unpredictable behavior.

In read and write cycles, the setup and hold time parameters are defined in reference to the address bus. For external devices that require setup and hold time between NCS and NRD signals (read), or between NCS and NWE signals (write), these setup and hold times must be converted into setup and hold times in reference to the address bus.

30.11 Scrambling/Unscrambling Function

The external data bus D[15:0] can be scrambled in order to prevent intellectual property data located in off-chip memories from being easily recovered by analyzing data at the package pin level of either the microcontroller or the memory device.

The scrambling and unscrambling are performed on-the-fly without additional wait states.

The scrambling method depends on two user-configurable key registers, HSMC_KEY1 and HSMC_KEY2. These key registers are only accessible in Write mode.

The key must be securely stored in a reliable non-volatile memory in order to recover data from the off-chip memory. Any data scrambled with a given key cannot be recovered if the key is lost.

The scrambling/unscrambling function is enabled or disabled by configuring specific bits in the HSMC_OCMS and the HSMC_TIMINGSx registers. The bit configuration values to enable memory scrambling are summarized in [Table 30-8](#).

Table 30-8: Scrambling Function Bit Encoding

Memories	Bit Values		
	HSMC_OCMS.SMSE	HSMC_OCMS.SRSE	HSMC_TIMINGSx.OCMS
Off-chip Memories	1	0	1
NAND Flash with NFC	0	1	0

When the NAND Flash memory content is scrambled, the on-chip NFC SRAM page buffer associated for the transfer is also scrambled.

30.12 Automatic Wait States

Under certain circumstances, the SMC automatically inserts idle cycles between accesses to avoid bus contention or operation conflict.

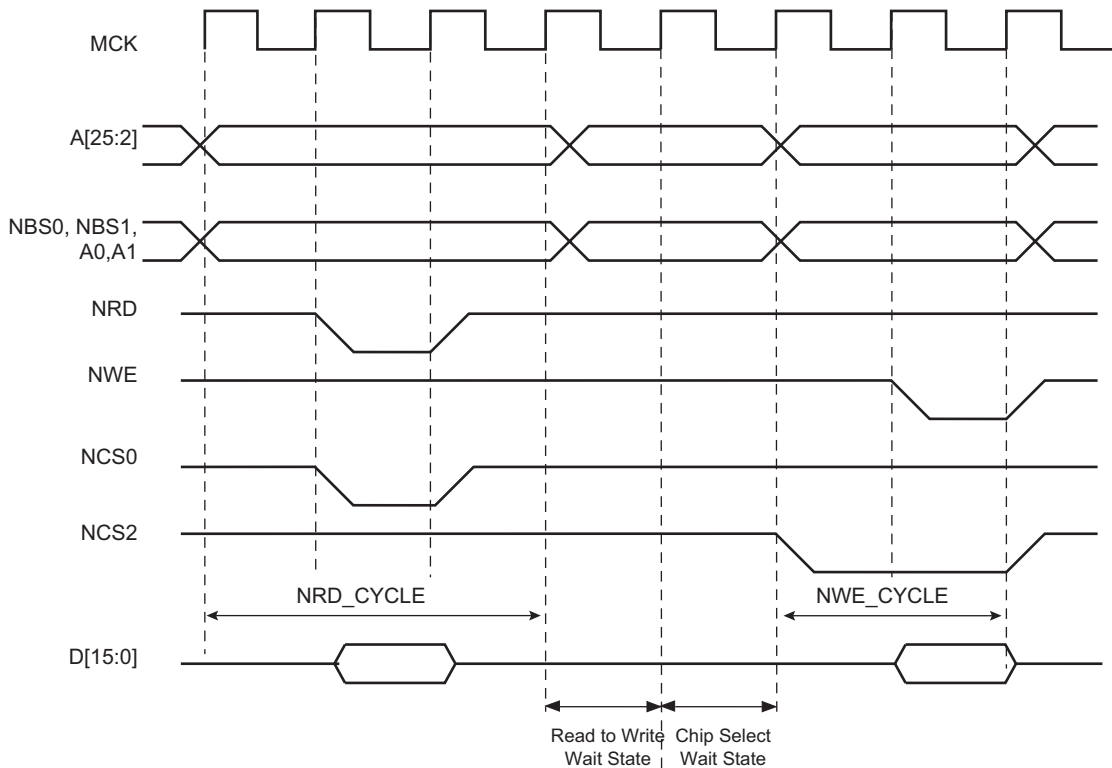
30.12.1 Chip Select Wait States

The SMC always inserts an idle cycle between two transfers on separate chip selects. This idle cycle ensures that there is no bus contention between the de-activation of one device and the activation of the next one.

During chip select wait state, all control lines are turned inactive: NBS0 to NBS1, NWR0 to NWR1, NCS[0..3], and NRD lines. They are all set to 1.

[Figure 30-13](#) illustrates a chip select wait state between access on Chip Select 0 and Chip Select 2.

Figure 30-13: Chip Select Wait State between a Read Access on NCS0 and a Write Access on NCS2



30.12.2 Early Read Wait State

In some cases, the SMC inserts a wait state cycle between a write access and a read access to allow time for the write cycle to end before the subsequent read cycle begins. This wait state is not generated in addition to a chip select wait state. The early read cycle thus only occurs between a write and read access to the same memory device (same chip select).

An early read wait state is automatically inserted if at least one of the following conditions is valid:

- if the write controlling signal has no hold time and the read controlling signal has no setup time (Figure 30-14).
- in NCS Write Controlled mode (`WRITE_MODE = 0`), if there is no hold timing on the NCS signal and the `NCS_RD_SETUP` parameter is configured to 0, regardless of the Read mode (Figure 30-15). The write operation must end with an NCS rising edge. Without an Early Read Wait State, the write operation could not complete properly.
- in NWE Controlled mode (`WRITE_MODE = 1`) and if there is no hold timing (`NWE_HOLD = 0`), the feedback of the write control signal is used to control address, data, chip select and byte select lines. If the external write control signal is not inactivated as expected due to load capacitances, an Early Read Wait State is inserted and address, data and control signals are maintained one more cycle. See Figure 30-16.

Figure 30-14: Early Read Wait State: Write with No Hold Followed by Read with No Setup

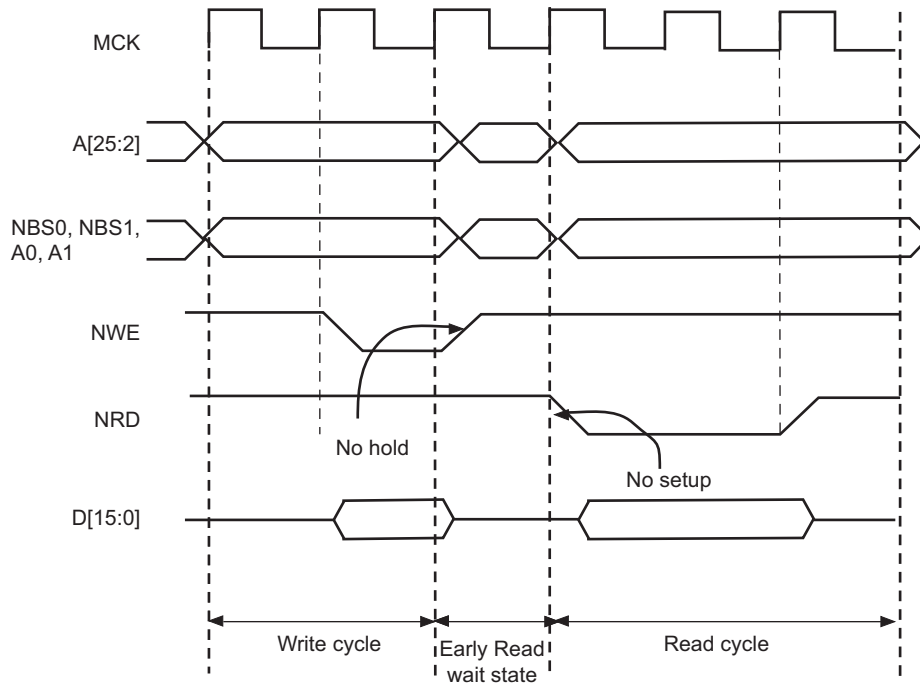


Figure 30-15: Early Read Wait State: NCS Controlled Write with No Hold Followed by a Read with No NCS Setup

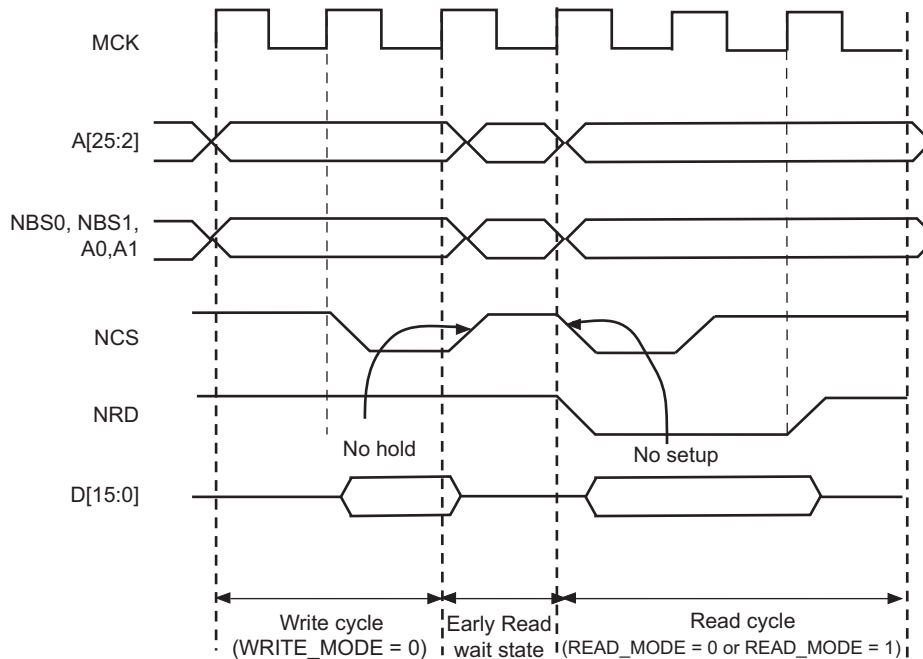
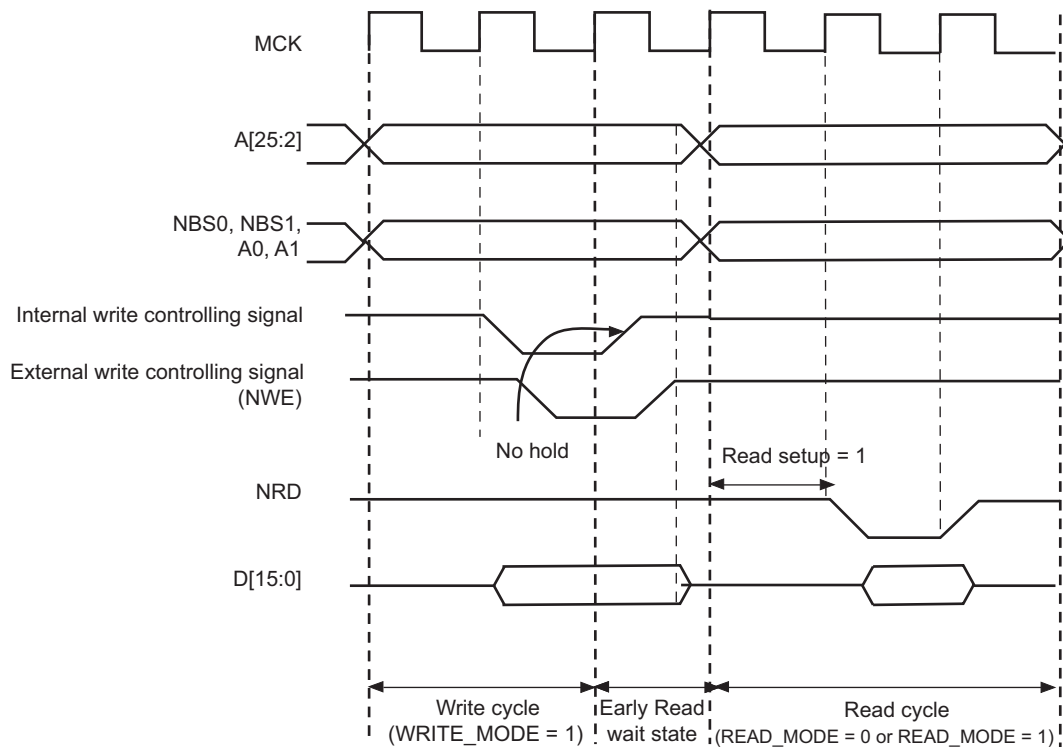


Figure 30-16: Early Read Wait State: NWE-controlled Write with No Hold Followed by a Read with one Set-up Cycle



30.12.3 Reload User Configuration Wait State

The user may change any of the configuration parameters by writing the SMC user interface.

When detecting that a new user configuration has been written in the user interface, the SMC inserts a wait state before starting the next access. The so called “Reload User Configuration Wait State” is used by the SMC to load the new set of parameters to apply to next accesses.

The Reload Configuration Wait State is not applied in addition to the Chip Select Wait State. If accesses before and after re-programming the user interface are made to different devices (Chip Selects), then one single Chip Select Wait State is applied.

On the other hand, if accesses before and after writing the user interface are made to the same device, a Reload Configuration Wait State is inserted, even if the change does not concern the current Chip Select.

30.12.3.1 User Procedure

To insert a Reload Configuration Wait State, the SMC detects a write access to any HSMC_MODE register of the user interface. If only the timing registers are modified (HSMC_SETUP, HSMC_PULSE, HSMC_CYCLE registers) in the user interface, the user must validate the modification by writing the HSMC_MODE register, even if no change was made on the mode parameters.

30.12.3.2 Slow Clock Mode Transition

A Reload Configuration Wait State is also inserted when the Slow Clock Mode is entered or exited, after the end of the current transfer (see [Section 30.15 Slow Clock Mode](#)).

30.12.4 Read to Write Wait State

Due to an internal mechanism, a wait cycle is always inserted between consecutive read and write SMC accesses.

This wait cycle is referred to as a read to write wait state in this document.

This wait cycle is applied in addition to chip select and reload user configuration wait states when they are to be inserted. See [Figure 30-13](#).

30.13 Data Float Wait States

Some memory devices are slow to release the external bus. For such devices, it is necessary to add wait states (data float wait states) after a read access:

- before starting a read access to a different external memory
- before starting a write access to the same device or to a different external one.

The Data Float Output Time (t_{DF}) for each external memory device is programmed in the TDF_CYCLES field of the HSMC_MODE register for the corresponding chip select. The value of TDF_CYCLES indicates the number of data float wait cycles (between 0 and 15) before the external device releases the bus, and represents the time allowed for the data output to go to high impedance after the memory is disabled.

Data float wait states do not delay internal memory accesses. Hence, a single access to an external memory with long t_{DF} will not slow down the execution of a program from internal memory.

The data float wait states management depends on the READ_MODE and the TDF_MODE bits of the HSMC_MODE register for the corresponding chip select.

30.13.1 READ_MODE

Setting READ_MODE to 1 indicates to the SMC that the NRD signal is responsible for turning off the tri-state buffers of the external memory device. The Data Float Period then begins after the rising edge of the NRD signal and lasts TDF_CYCLES MCK cycles.

When the read operation is controlled by the NCS signal (READ_MODE = 0), the TDF_CYCLES field in HSMC_MODEx gives the number of MCK cycles during which the data bus remains busy after the rising edge of NCS.

Figure 30-17 illustrates the Data Float Period in NRD-controlled mode (READ_MODE = 1), assuming a data float period of two cycles (TDF_CYCLES = 2). Figure 30-18 shows the read operation when controlled by NCS (READ_MODE = 0) and the TDF_CYCLES parameter equals 3.

Figure 30-17: TDF Period in NRD Controlled Read Access (TDF = 2)

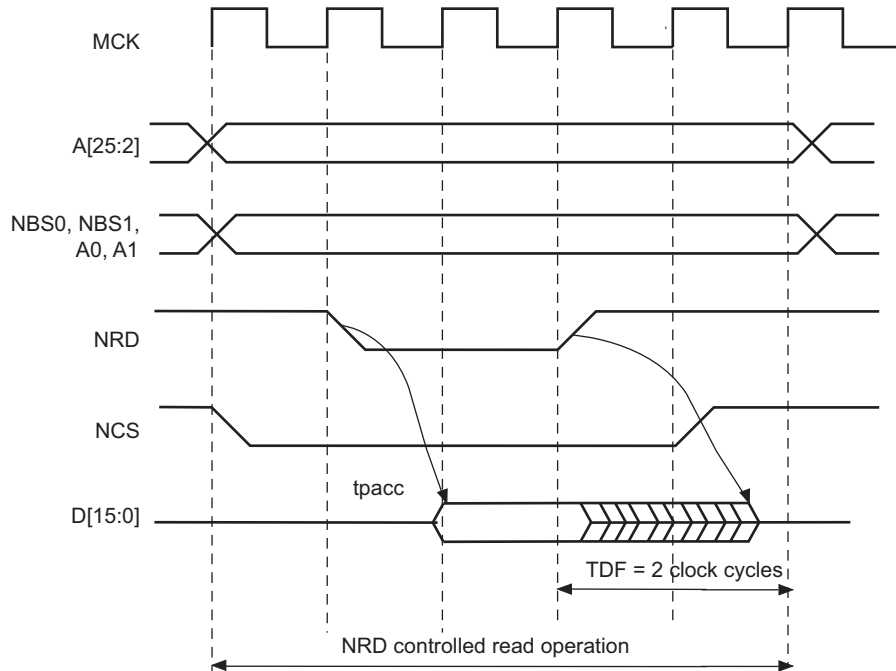
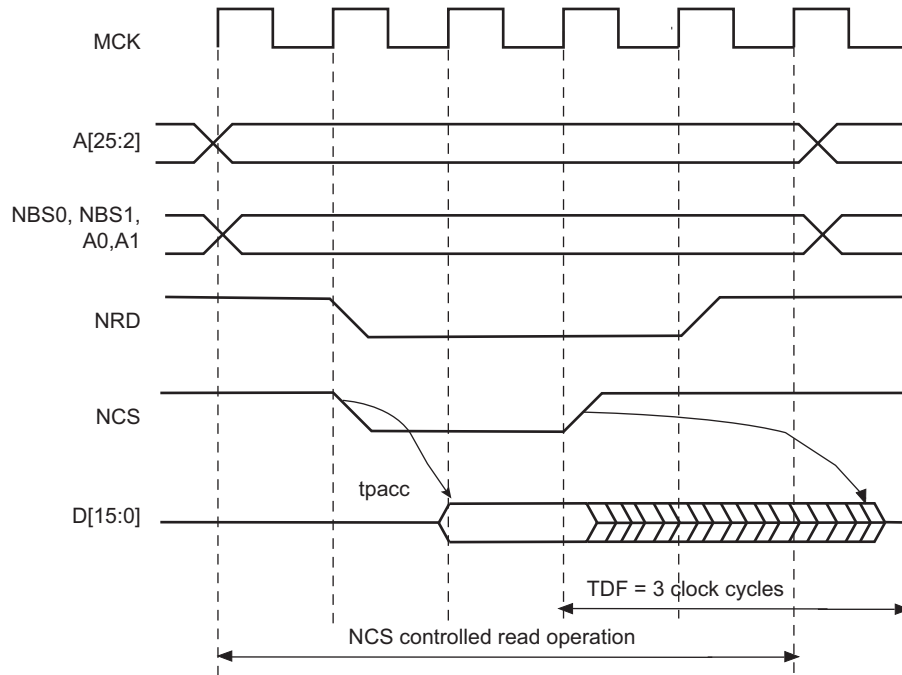


Figure 30-18: TDF Period in NCS Controlled Read Operation (TDF = 3)



30.13.2 TDF Optimization Enabled (TDF_MODE = 1)

When the TDF_MODE of the HSMC_MODE register is set to 1 (TDF optimization is enabled), the SMC takes advantage of the setup period of the next access to optimize the number of wait states cycle to insert.

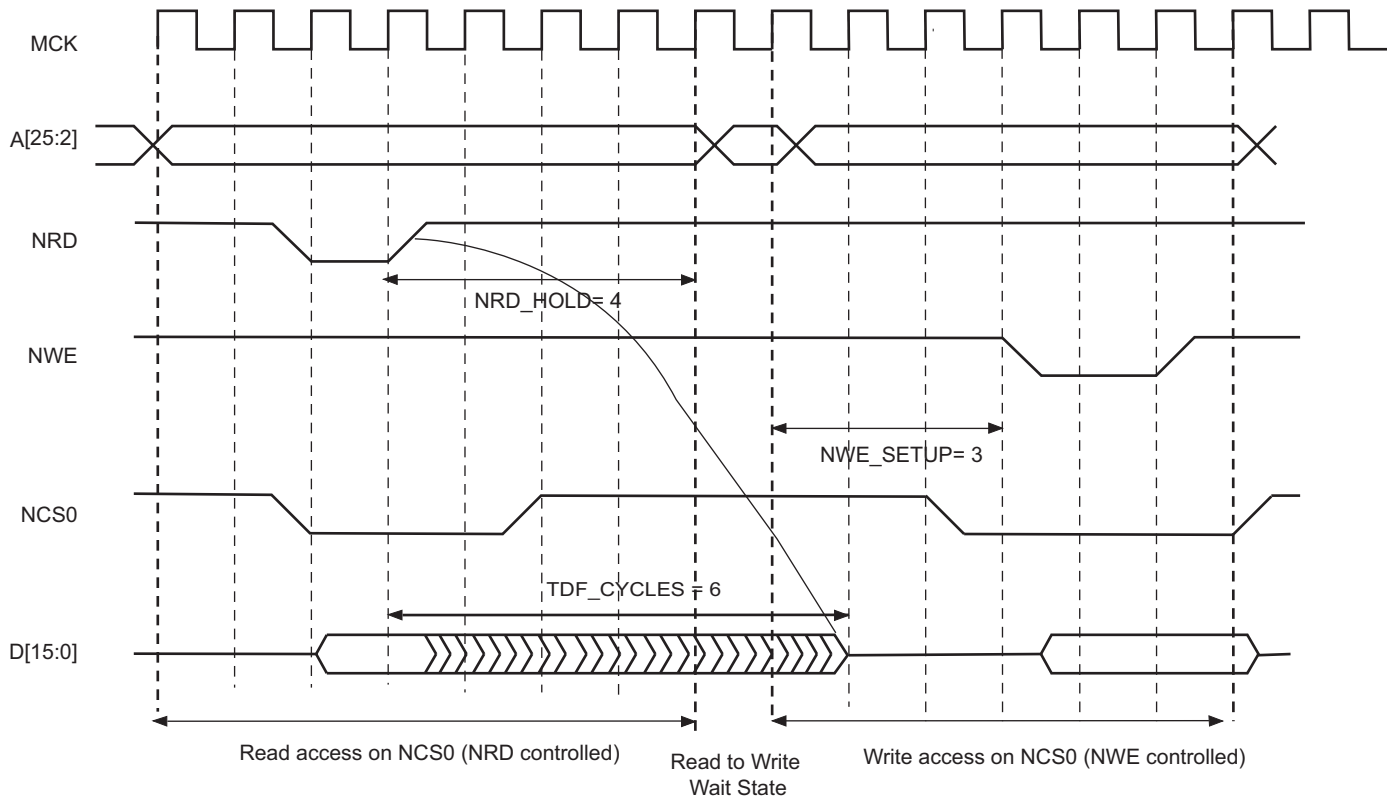
Figure 30-19 shows a read access controlled by NRD, followed by a write access controlled by NWE, on Chip Select 0. Chip Select 0 has been programmed with:

NRD_HOLD = 4; READ_MODE = 1 (NRD controlled)

NWE_SETUP = 3; WRITE_MODE = 1 (NWE controlled)

TDF_CYCLES = 6; TDF_MODE = 1 (optimization enabled).

Figure 30-19: TDF Optimization: No TDF wait states are inserted if the TDF period is over when the next access begins



30.13.3 TDF Optimization Disabled (TDF_MODE = 0)

When optimization is disabled, TDF wait states are inserted at the end of the read transfer, so that the data float period ends when the second access begins. If the hold period of the read1 controlling signal overlaps the data float period, no additional TDF wait states will be inserted.

Figure 30-20, Figure 30-21 and Figure 30-22 illustrate the cases:

- read access followed by a read access on another chip select,
- read access followed by a write access on another chip select,
- read access followed by a write access on the same chip select,

with no TDF optimization.

SAMA5D3 SERIES

Figure 30-20: TDF Optimization Disabled (TDF Mode = 0). TDF wait states between 2 read accesses on different chip selects

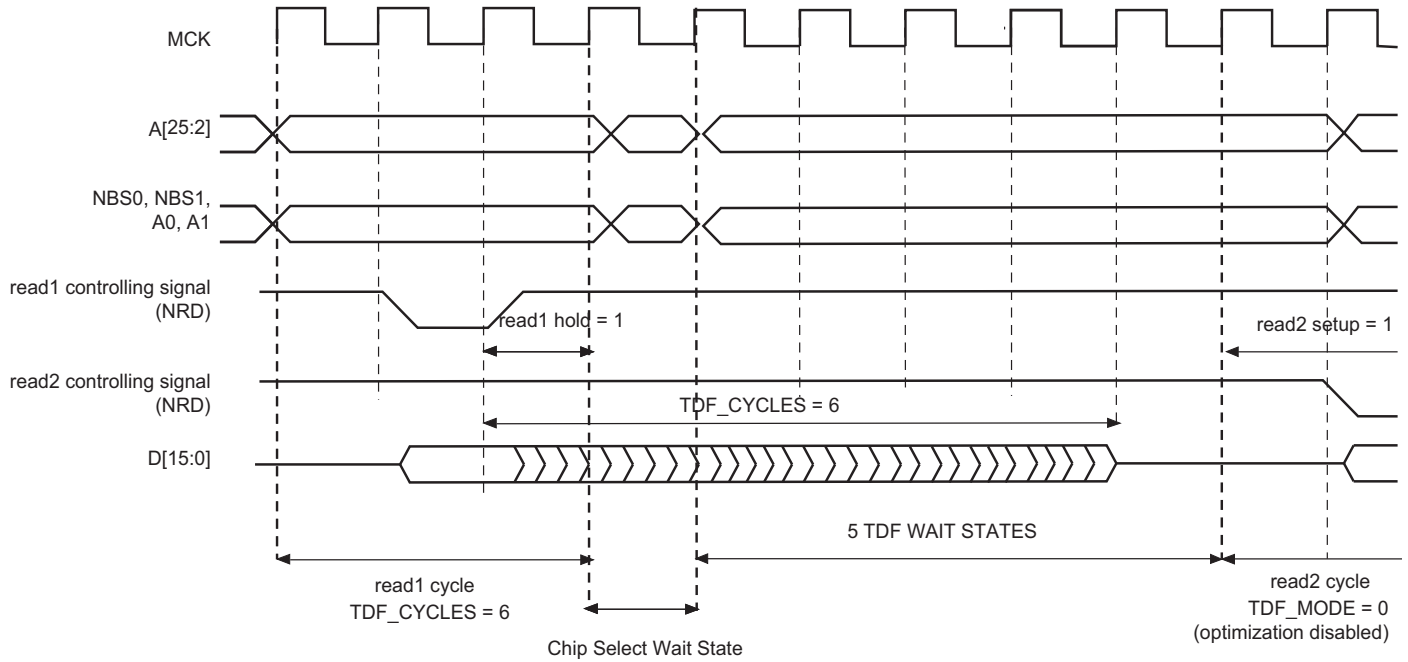


Figure 30-21: TDF Mode = 0: TDF wait states between a read and a write access on different chip selects

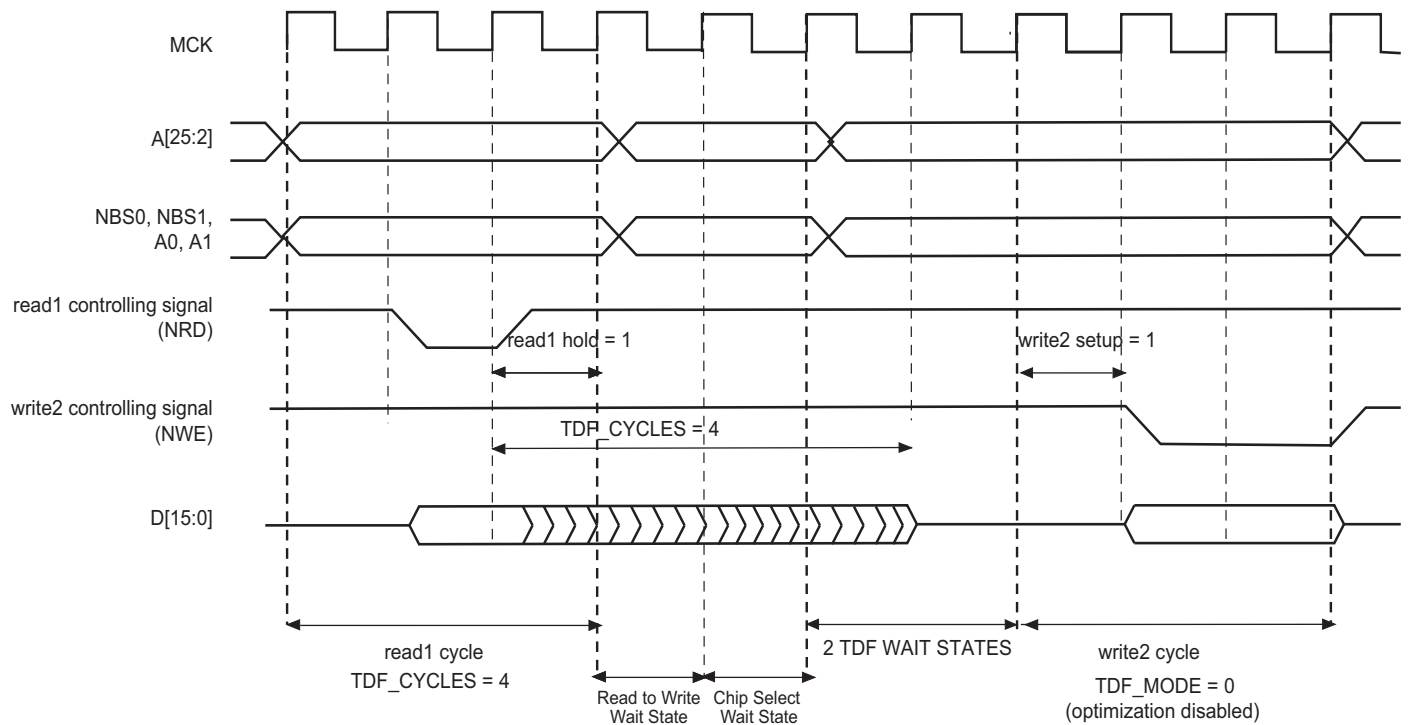
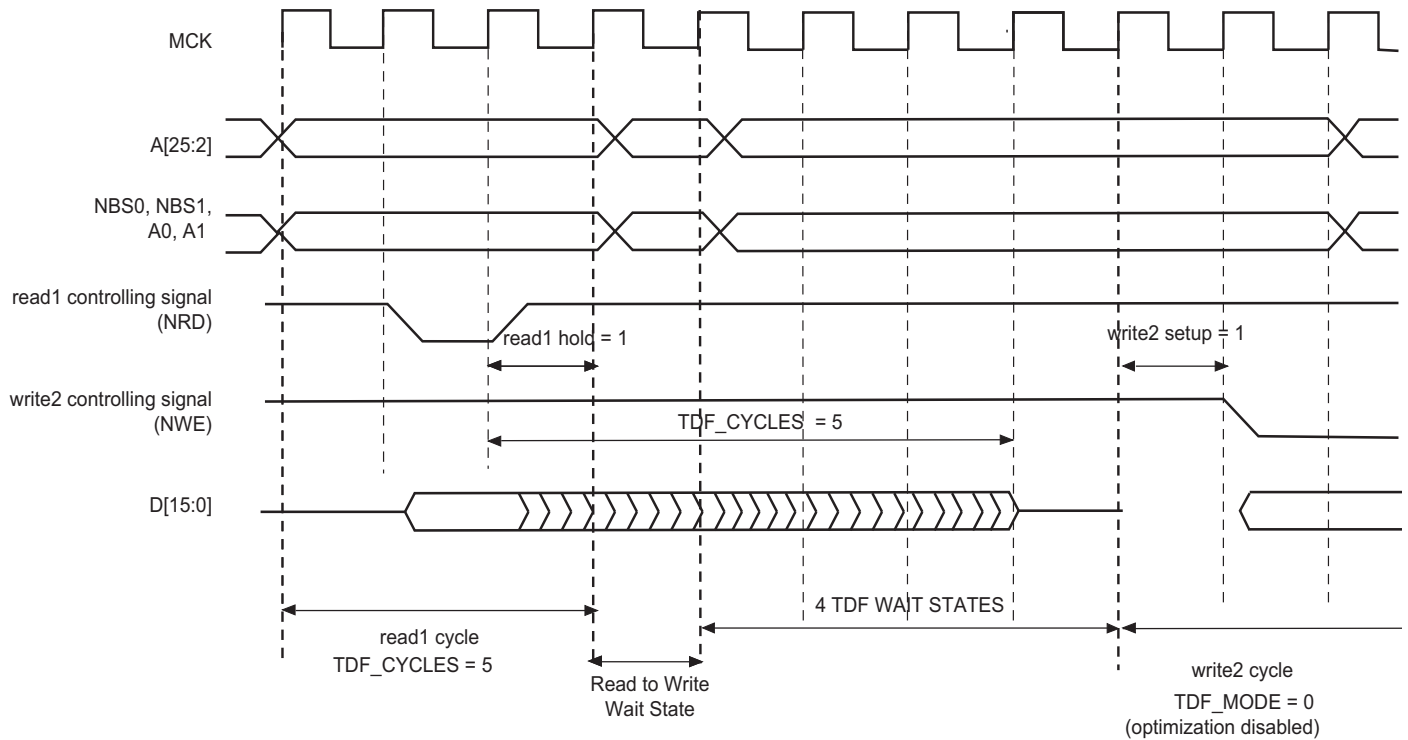


Figure 30-22: TDF Mode = 0: TDF wait states between read and write accesses on the same chip select



30.14 External Wait

Any access can be extended by an external device using the NWAIT input signal of the SMC. The EXNW_MODE field of the HSMC_MODE register on the corresponding chip select must be set to either '10' (Frozen mode) or '11' (Ready mode). When the EXNW_MODE is set to '00' (disabled), the NWAIT signal is simply ignored on the corresponding chip select. The NWAIT signal delays the read or write operation in regards to the read or write controlling signal, depending on the Read and Write modes of the corresponding chip select.

30.14.1 Restriction

When one of the EXNW_MODE is enabled, it is mandatory to program at least one hold cycle for the read/write controlling signal. For that reason, the NWAIT signal cannot be used in Slow Clock Mode ([Section 30.15 Slow Clock Mode](#)).

The NWAIT signal is assumed to be a response of the external device to the read/write request of the SMC. NWAIT is then examined by the SMC in the pulse state of the read or write controlling signal. The assertion of the NWAIT signal outside the expected period has no impact on the SMC behavior.

30.14.2 Frozen Mode

When the external device asserts the NWAIT signal (active low), and after an internal synchronization of this signal, the SMC state is frozen, i.e., SMC internal counters are frozen, and all control signals remain unchanged. When the resynchronized NWAIT signal is deasserted, the SMC completes the access, resuming the access from the point where it was stopped. See [Figure 30-23](#). This mode must be selected when the external device uses the NWAIT signal to delay the access and to freeze the SMC.

The assertion of the NWAIT signal outside the expected period is ignored as illustrated in [Figure 30-24](#).

SAMA5D3 SERIES

Figure 30-23: Write Access with NWAIT Assertion in Frozen Mode (EXNW_MODE = 10)

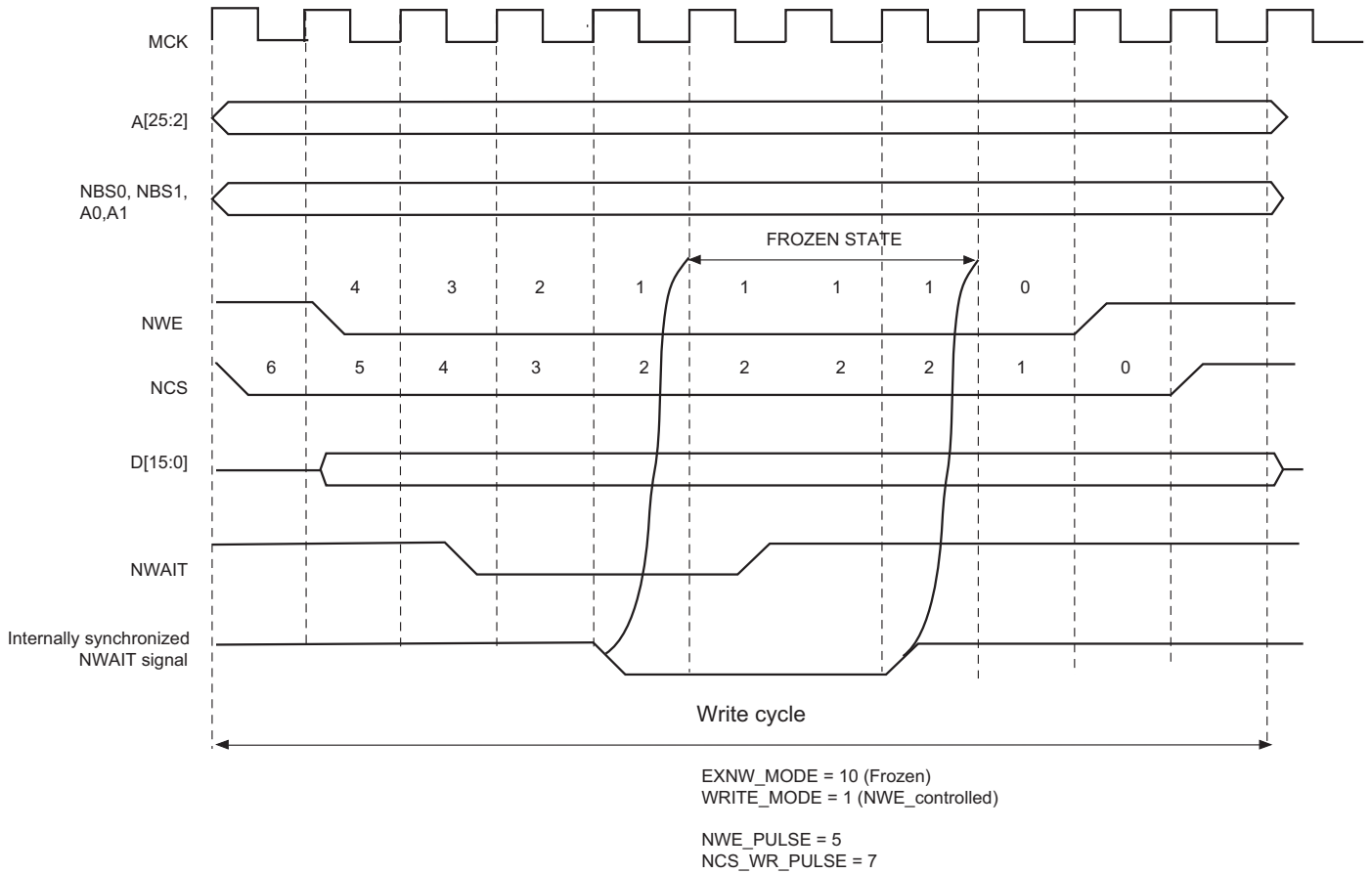
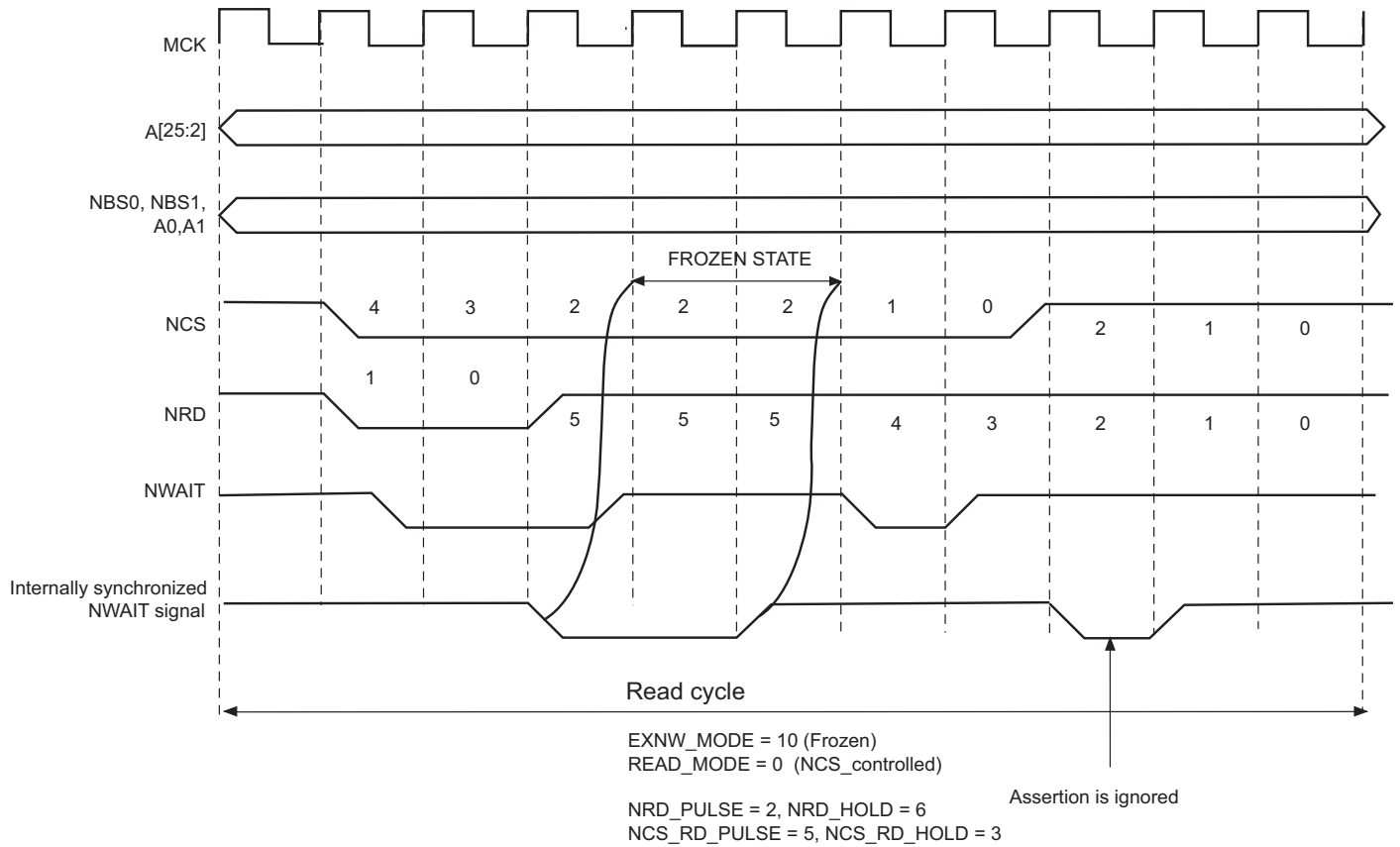


Figure 30-24: Read Access with NWAIT Assertion in Frozen Mode (EXNW_MODE = 10)



30.14.3 Ready Mode

In Ready mode (EXNW_MODE = 11), the SMC behaves differently. Normally, the SMC begins the access by down counting the setup and pulse counters of the read/write controlling signal. In the last cycle of the pulse phase, the resynchronized NWAIT signal is examined.

If asserted, the SMC suspends the access as shown in [Figure 30-25](#) and [Figure 30-26](#). After deassertion, the access is completed: the hold step of the access is performed.

This mode must be selected when the external device uses deassertion of the NWAIT signal to indicate its ability to complete the read or write operation.

If the NWAIT signal is deasserted before the end of the pulse, or asserted after the end of the pulse of the controlling read/write signal, it has no impact on the access length as shown in [Figure 30-26](#).

SAMA5D3 SERIES

Figure 30-25: NWAIT Assertion in Write Access: Ready Mode (EXNW_MODE = 11)

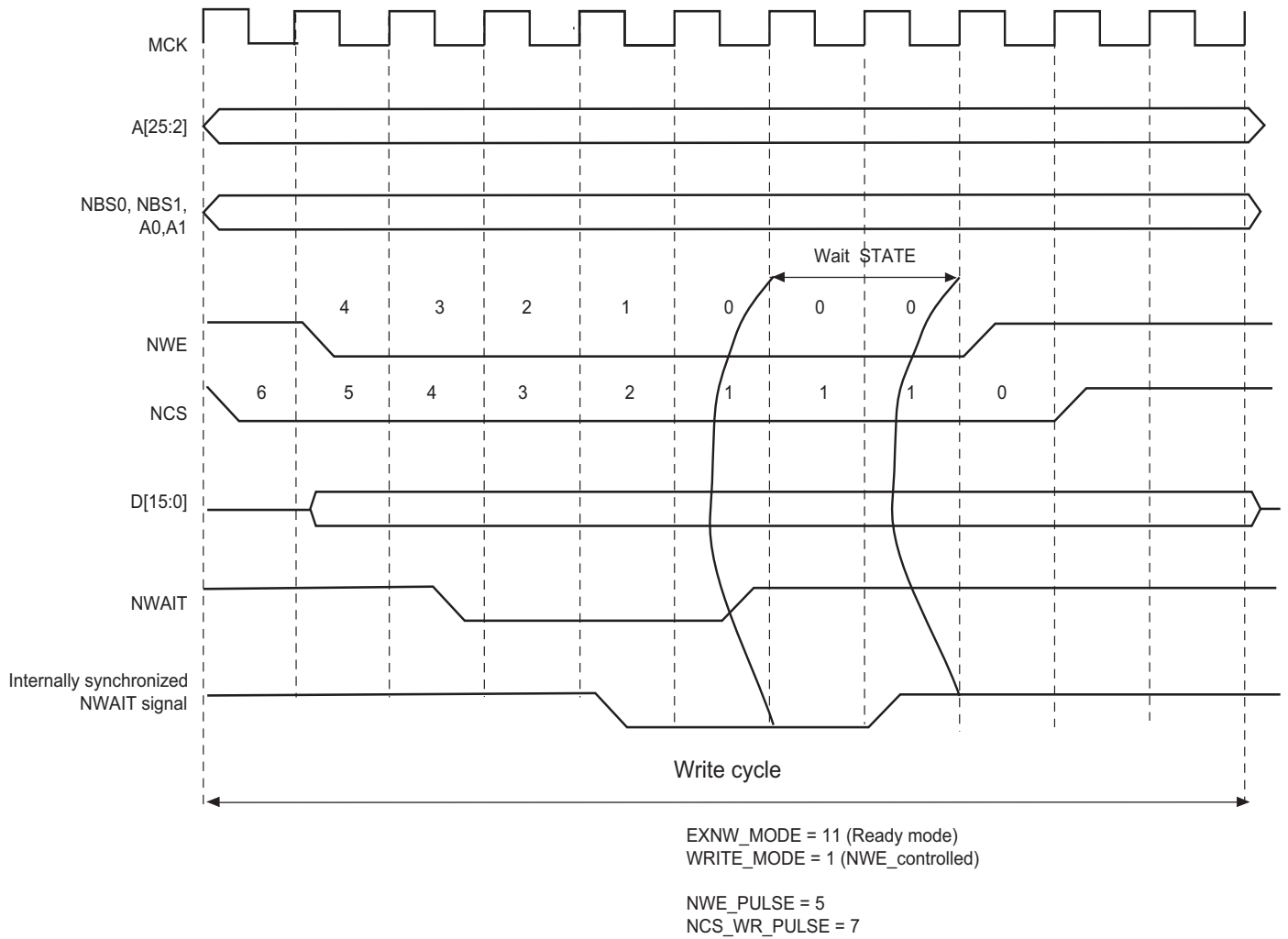
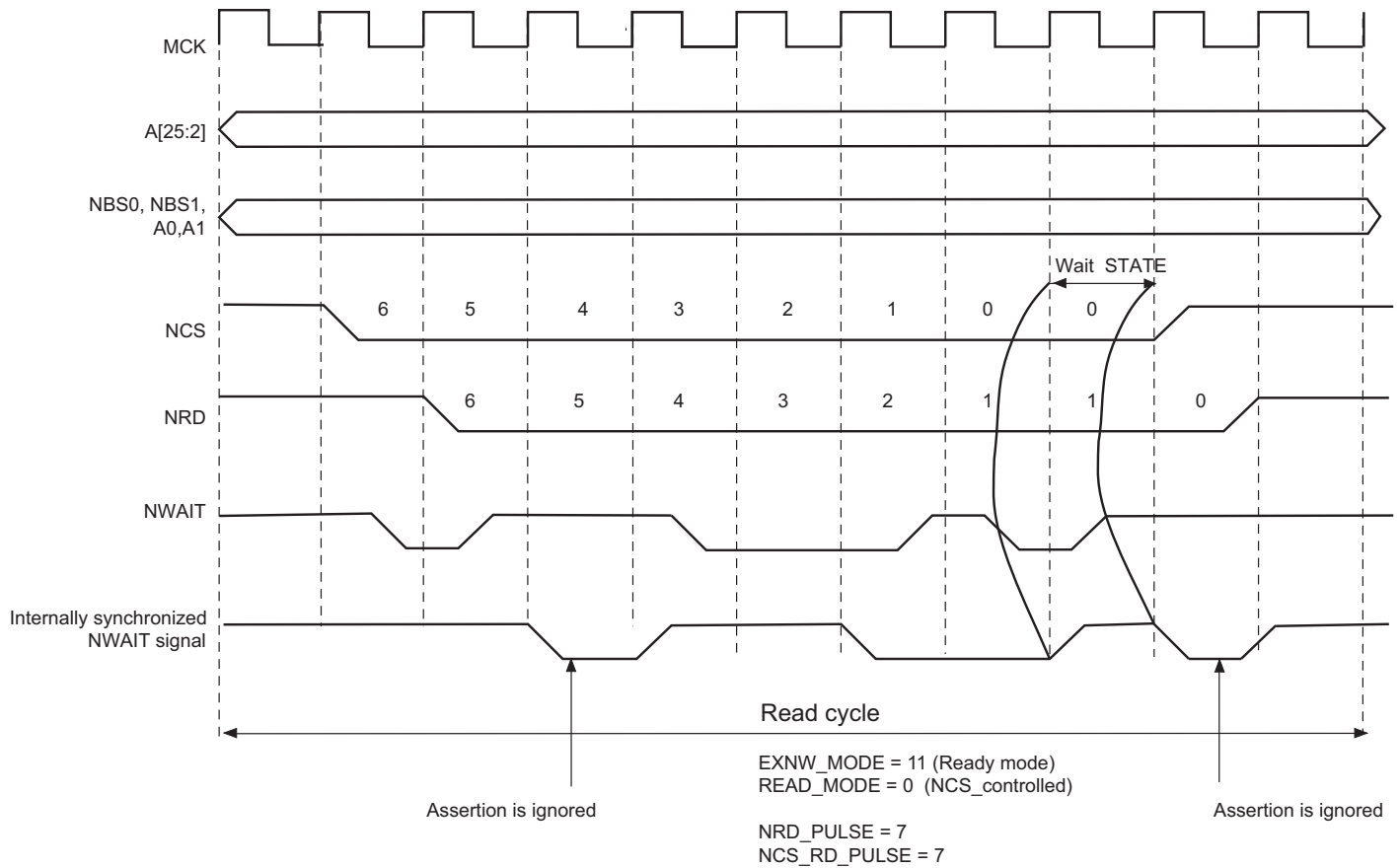


Figure 30-26: NWAIT Assertion in Read Access: Ready Mode (EXNW_MODE = 11)



30.14.4 NWAIT Latency and Read/Write Timings

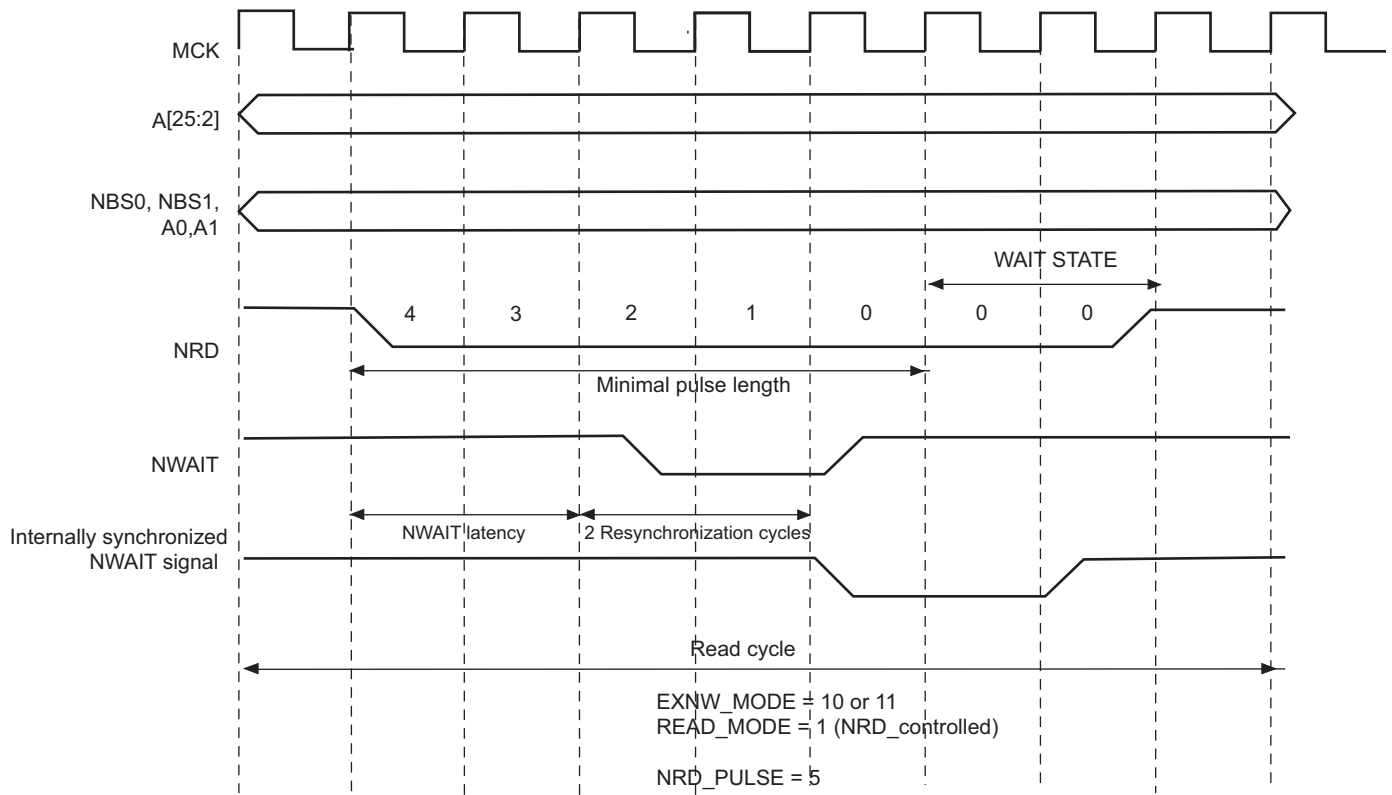
There may be a latency between the assertion of the read/write controlling signal and the assertion of the NWAIT signal by the device. The programmed pulse length of the read/write controlling signal must be at least equal to this latency plus the 2 cycles of resynchronization + 1 cycle. Otherwise, the SMC may enter the hold state of the access without detecting the NWAIT signal assertion. This is true in Frozen mode as well as in Ready mode. This is illustrated on [Figure 30-27](#).

When EXNW_MODE is enabled (ready or frozen), the user must program a pulse length of the read and write controlling signal of at least:

$$\text{minimal pulse length} = \text{NWAIT latency} + 2 \text{ resynchronization cycles} + 1 \text{ cycle}$$

SAMA5D3 SERIES

Figure 30-27: NWAIT Latency



30.15 Slow Clock Mode

The SMC is able to automatically apply a set of “Slow Clock mode” read/write waveforms when an internal signal driven by the Power Management Controller is asserted because MCK has been configured to a very slow clock rate (typically 32 kHz clock rate). In this mode, the user-programmed waveforms are ignored and the Slow Clock mode waveforms are applied. This mode is provided so as to avoid reprogramming the User Interface with appropriate waveforms at very slow clock rate. When activated, the Slow mode is active on all chip selects.

30.15.1 Slow Clock Mode Waveforms

Figure 30-28 illustrates the read and write operations in Slow Clock mode. They are valid on all chip selects. Table 30-9 indicates the value of read and write parameters in Slow Clock mode.

Figure 30-28: Write/Read Cycles in Slow Clock Mode

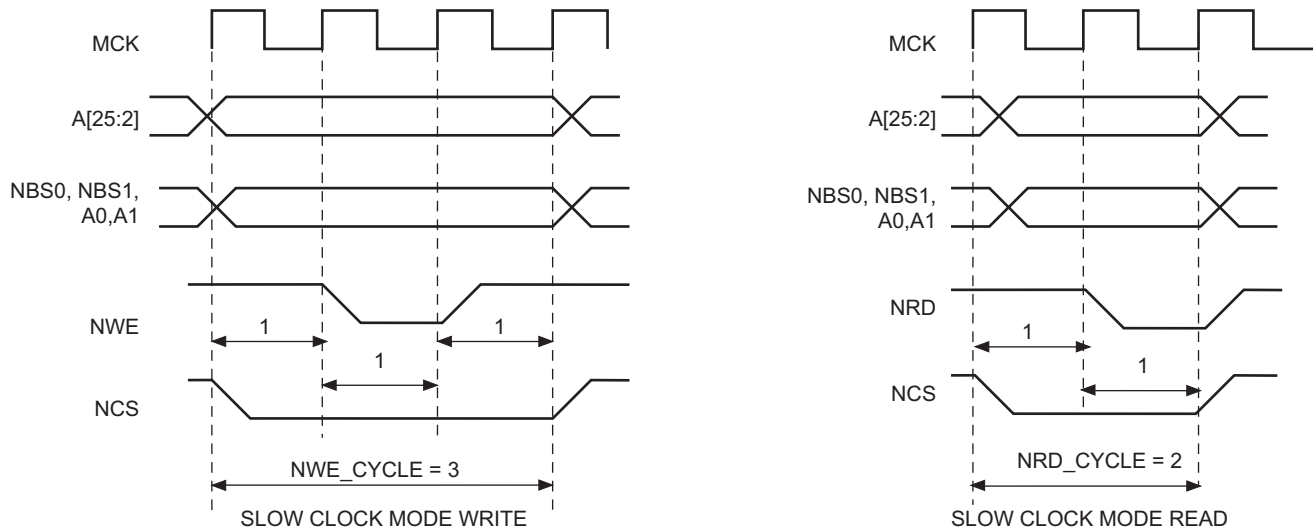


Table 30-9: Read and Write Timing Parameters in Slow Clock Mode

Read Parameters	Duration (cycles)	Write Parameters	Duration (cycles)
NRD_SETUP	1	NWE_SETUP	1
NRD_PULSE	1	NWE_PULSE	1
NCS_RD_SETUP	0	NCS_WR_SETUP	0
NCS_RD_PULSE	2	NCS_WR_PULSE	3
NRD_CYCLE	2	NWE_CYCLE	3

SAMA5D3 SERIES

30.15.2 Switching from (to) Slow Clock Mode to (from) Normal Mode

When switching from Slow Clock mode to Normal mode, the current Slow Clock mode transfer is completed at high clock rate, with the set of Slow Clock mode parameters. See Figure 30-29. The external device may not be fast enough to support such timings.

Figure 30-30 illustrates the recommended procedure to properly switch from one mode to the other.

Figure 30-29: Clock Rate Transition occurs while the SMC is performing a Write Operation

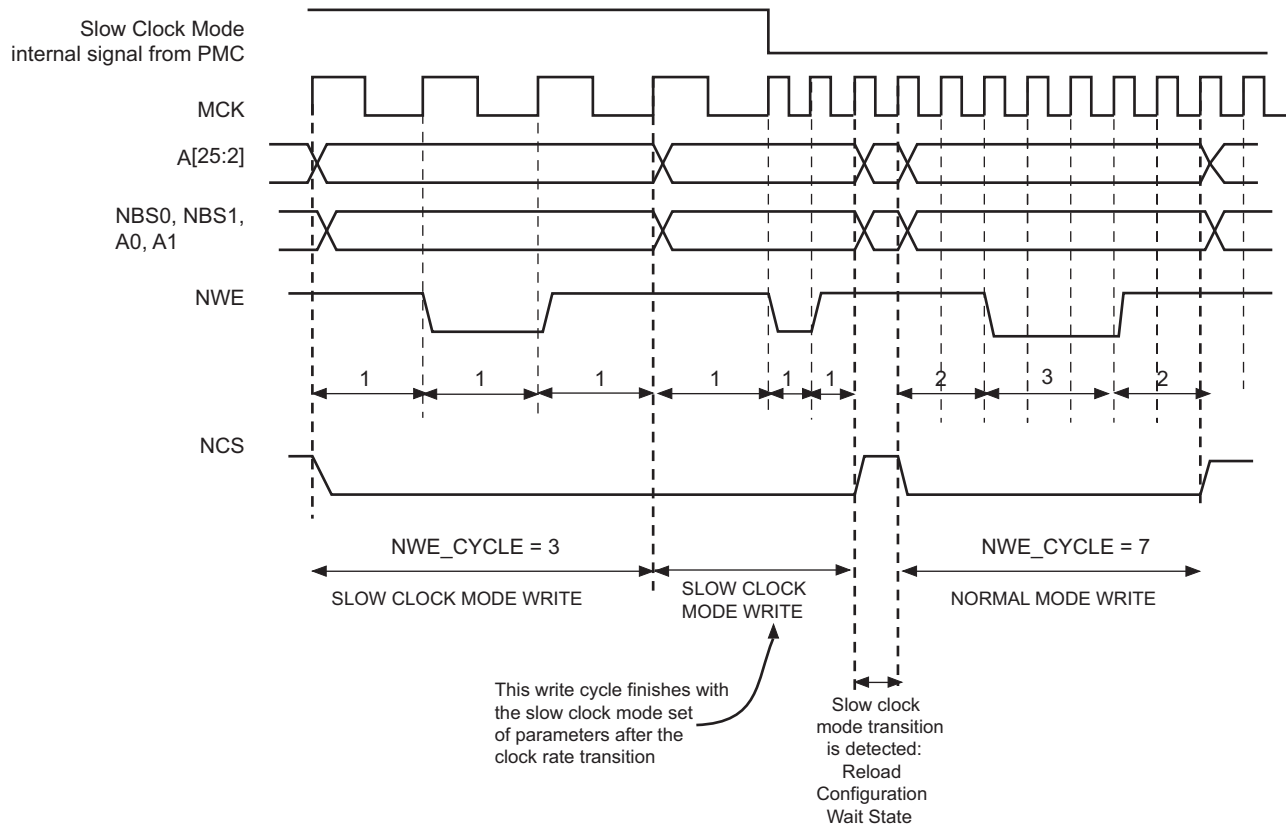
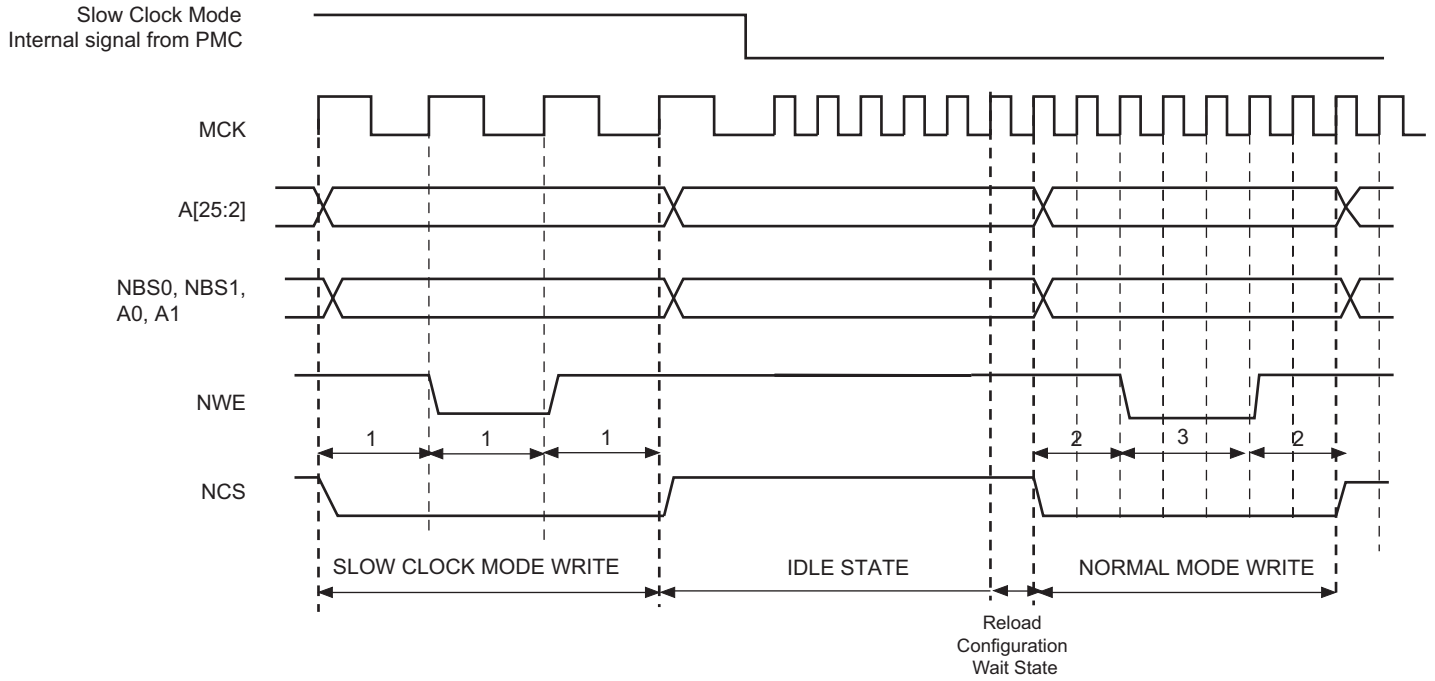


Figure 30-30: Recommended Procedure to Switch from Slow Clock Mode to Normal Mode or from Normal Mode to Slow Clock Mode



30.16 Register Write Protection

To prevent any single software error that may corrupt SMC behavior, selected registers can be write-protected by setting the WPEN bit in the [Write Protection Mode Register](#) (HSMC_WPMR).

If a write access in a write-protected register is detected, then the WPVS flag in the [Write Protection Status Register](#) (HSMC_WPSR) is set and the field WPVSR indicates in which register the write access has been attempted.

The WPVS flag is automatically reset after reading the HSMC_WPSR.

The following registers can be write-protected:

- [Setup Register](#)
- [Pulse Register](#)
- [Cycle Register](#)
- [Timings Register](#)
- [Mode Register](#)

30.17 NFC Operations

30.17.1 NFC Overview

The NFC handles all the command, address and data sequences of the NAND low level protocol. An SRAM is used as an internal read/write buffer when data is transferred from or to the NAND.

30.17.2 NFC Control Registers

NAND Flash Read and NAND Flash Program operations can be performed through the NFC Command Registers. In order to minimize CPU intervention and latency, commands are posted in a command buffer. This buffer provides zero wait state latency. The detailed description of the command encoding scheme is explained below.

The NFC handles an automatic transfer between the external NAND Flash and the chip via the NFC SRAM. It is done via NFC Command Registers.

The NFC Command Registers are very efficient to use. When writing to these registers:

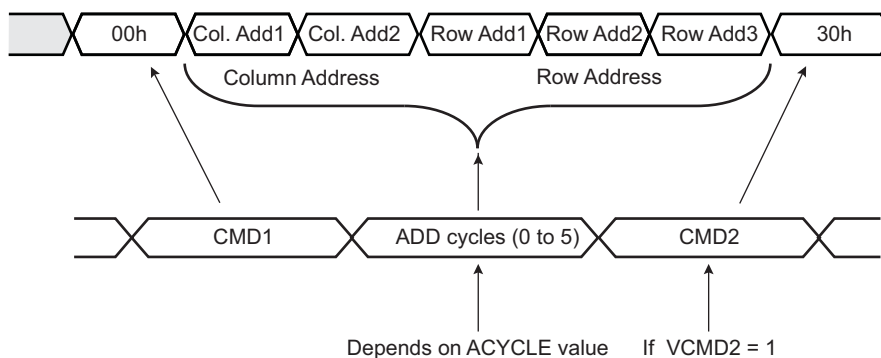
- the address of the register (NFCADDR_CMD) is the command used
- the data of the register (NFCDATA_ADDT) is the address to be sent to the NAND Flash

So, in one single access the command is sent and immediately executed by the NFC. Two commands can even be programmed within a single access (CMD1, CMD2) depending on the VCMD2 value.

The NFC can send up to five address cycles.

[Figure 30-31](#) shows a typical NAND Flash Page Read Command of a NAND Flash Memory and correspondence with NFC Address Command Register.

Figure 30-31: NFC/NAND Flash Access Example



For more details refer to [Section 30.17.2.2 NFC Address Command](#).

Reading the NFC Command Register (to any address) will give the status of the NFC. This is especially useful to know if the NFC is busy, for example.

30.17.2.1 Building NFC Address Command Example

The base address is made of HOST_ADDR address.

Page read operation example:

```
// Build the Address Command (NFCADDR_CMD)
AddressCommand = (HOST_ADDR |
    NFCCMD=1 | // NFC Command Enable
    NFCWR=0  |// NFC Read Data from NAND Flash
    DATAEN=1 | // NFC Data phase Enable.
    CSID=1   | // Chip Select ID = 1
    ACYCLE= 5 | // Number of address cycle.
    VCMD2=1  | // CMD2 is sent after Address Cycles
    CMD2=0x30 | // CMD2 = 30h
    CMD1=0x0) // CMD1 = Read Command = 00h

// Set the Address for Cycle 0
HSMC_ADDR = Col. Add1

// Write command with the Address Command built above
*AddressCommand = (Col. Add2 |// ADDR_CYCLE1
    Row Add1 | // ADDR_CYCLE2
    Row Add2 |// ADDR_CYCLE3
    Row Add3 )// ADDR_CYCLE4
```

SAMA5D3 SERIES

30.17.2.2 NFC Address Command

Name: NFCADDR_CMD

Access: Read/Write

31	30	29	28	27	26	25	24
–	–	–	–	–	NFCWR	DATAEN	CSID
23	22	21	20	19	18	17	16
CSID		ACYCLE			VCMD2	CMD2	
15	14	13	12	11	10	9	8
CMD2						CMD1	
7	6	5	4	3	2	1	0
CMD1						–	–

CMD1: Command Register Value for Cycle 1

If NFCCMD is set, when a read or write access occurs, the NFC sends this command.

CMD2: Command Register Value for Cycle 2

If NFCCMD and VCMD2 field are set to one, the NFC sends this command after CMD1.

VCMD2: Valid Cycle 2 Command

When set to true, the CMD2 field is issued after the address cycle.

ACYCLE: Number of Address Required for the Current Command

When ACYCLE field is different from zero, ACYCLE Address cycles are performed after Command Cycle 1. The maximum number of cycles is 5.

CSID: Chip Select Identifier

Chip select used

DATAEN: NFC Data Phase Enable

When set to true, the NFC will automatically read or write data after the command.

NFCWR: NFC Write Enable

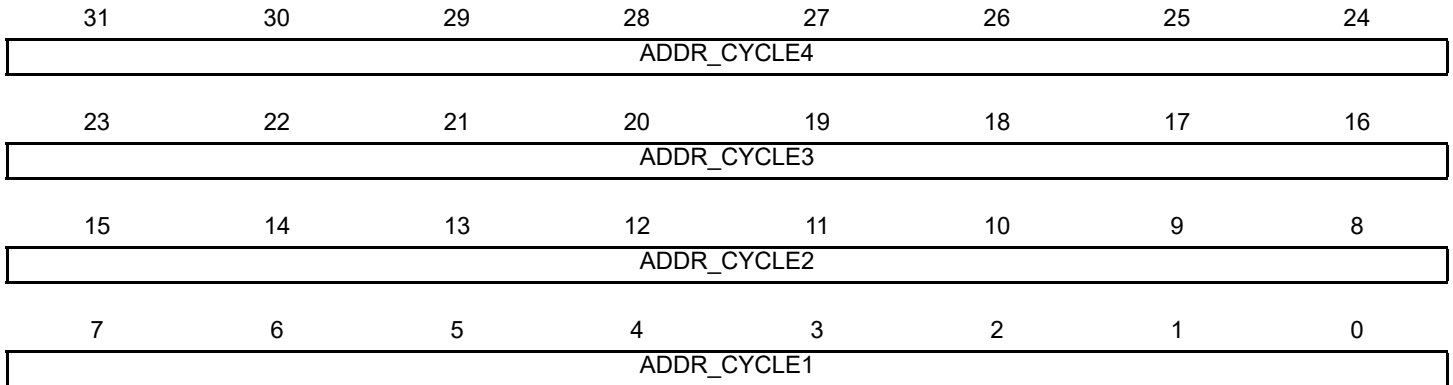
0: NFC reads data from the NAND Flash.

1: NFC writes data into the NAND Flash.

30.17.2.3 NFC Data Address

Name: NFCDATA_ADDT

Access: Write-only



ADDR_CYCLE1: NAND Flash Array Address Cycle 1

When less than five address cycles are used, ADDR_CYCLE1 is the first byte written to the NAND Flash.

When five address cycles are used, ADDR_CYCLE1 is the second byte written to NAND Flash.

ADDR_CYCLE2: NAND Flash Array Address Cycle 2

When less than five address cycles are used, ADDR_CYCLE2 is the second byte written to the NAND Flash.

When five address cycles are used, ADDR_CYCLE2 is the third byte written to the NAND Flash.

ADDR_CYCLE3: NAND Flash Array Address Cycle 3

When less than five address cycles are used, ADDR_CYCLE3 is the third byte written to the NAND Flash.

When five address cycles are used, ADDR_CYCLE3 is the fourth byte written to the NAND Flash.

ADDR_CYCLE4: NAND Flash Array Address Cycle 4

When less than five address cycles are used, ADDR_CYCLE4 is the fourth byte written to the NAND Flash.

When five address cycles are used, ADDR_CYCLE4 is the fifth byte written to the NAND Flash.

Note: If five address cycles are used, the first address cycle is ADDR_CYCLE0. Refer to HSMC_ADDR register.

SAMA5D3 SERIES

30.17.2.4 NFC DATA Status

Name: NFCDATA_STATUS

Access: Read-only

31	30	29	28	27	26	25	24
–	–	–	–	NFCBUSY	NFCWR	DATAEN	CSID
23	22	21	20	19	18	17	16
CSID		ACYCLE			VCMD2	CMD2	
15	14	13	12	11	10	9	8
CMD2						CMD1	
7	6	5	4	3	2	1	0
CMD1						–	–

CMD1: Command Register Value for Cycle 1

When a Read or Write Access occurs, the Physical Memory Interface drives the IO bus with CMD1 field during the Command Latch cycle 1.

CMD2: Command Register Value for Cycle 2

When VCMD2 bit is set to true, the Physical Memory Interface drives the IO bus with CMD2 field during the Command Latch cycle 2.

VCMD2: Valid Cycle 2 Command

When set to true, the CMD2 field is issued after addressing cycle.

ACYCLE: Number of Address Required for the Current Command

When ACYCLE field is different from zero, ACYCLE Address cycles are performed after Command Cycle 1.

CSID: Chip Select Identifier

Chip select used

DATAEN: NFC Data Phase Enable

When set to true, the NFC data phase is enabled.

NFCWR: NFC Write Enable

0: NFC is in Read mode.

1: NFC is in Write mode.

NFCBUSY: NFC Busy Status Flag

If set to true, it indicates that the NFC is busy.

30.17.3 NFC Initialization

Prior to any Command and Data Transfer, the SMC User Interface must be configured to meet the device timing requirements.

- Write enable Configuration

Use NWE_SETUP, NWE_PULSE and NWE_CYCLE to define the write enable waveform according to the external device datasheet.

Use TADL field in the HSMC_TIMINGS register to configure the timing between the last address latch cycle and the first rising edge of WEN for data input.

Figure 30-32: Write Enable Timing Configuration

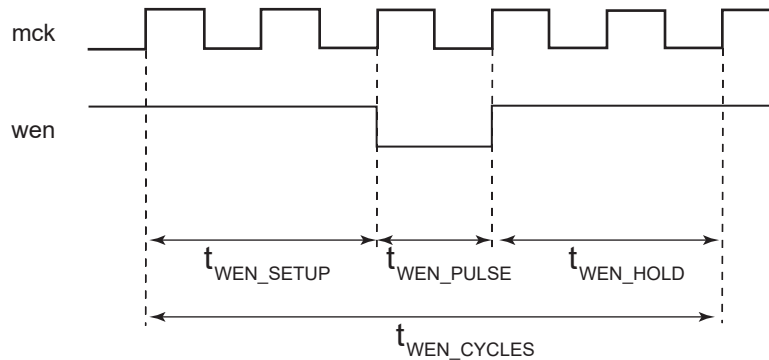
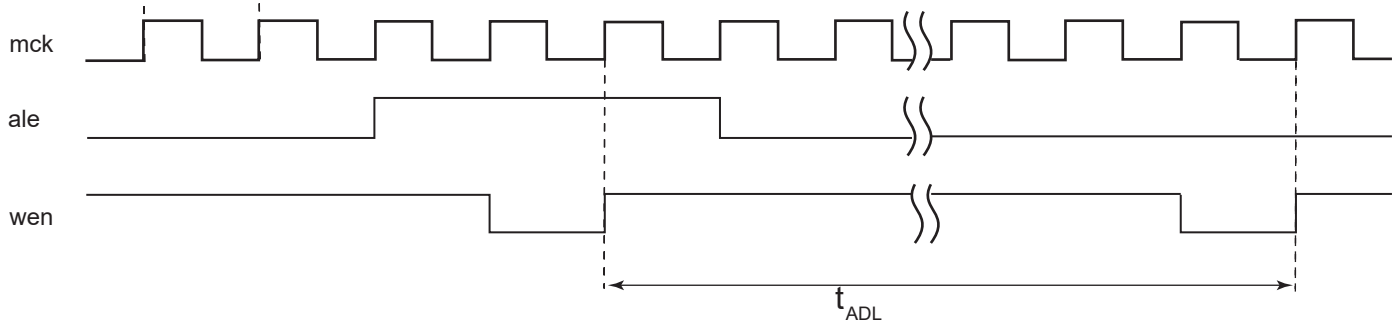


Figure 30-33: Write Enable Timing for NAND Flash Device Data Input Mode



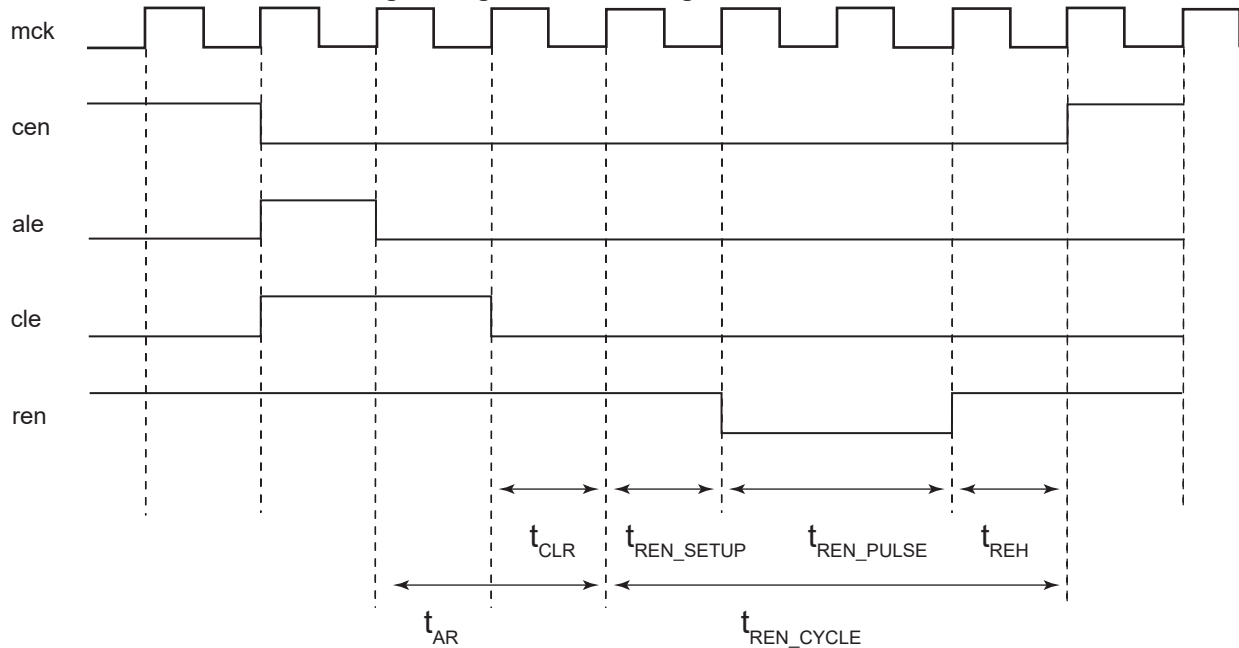
- Read Enable Configuration

Use NRD_SETUP, NRD_PULSE and NRD_CYCLE to define the read enable waveform according to the external device datasheet.

Use TAR field in the HSMC_TIMINGS register to configure the timings between the address latch enable falling edge to read the enable falling edge.

Use TCLR field in the HSMC_TIMINGS register to configure the timings between the command latch enable falling edge to read the enable falling edge.

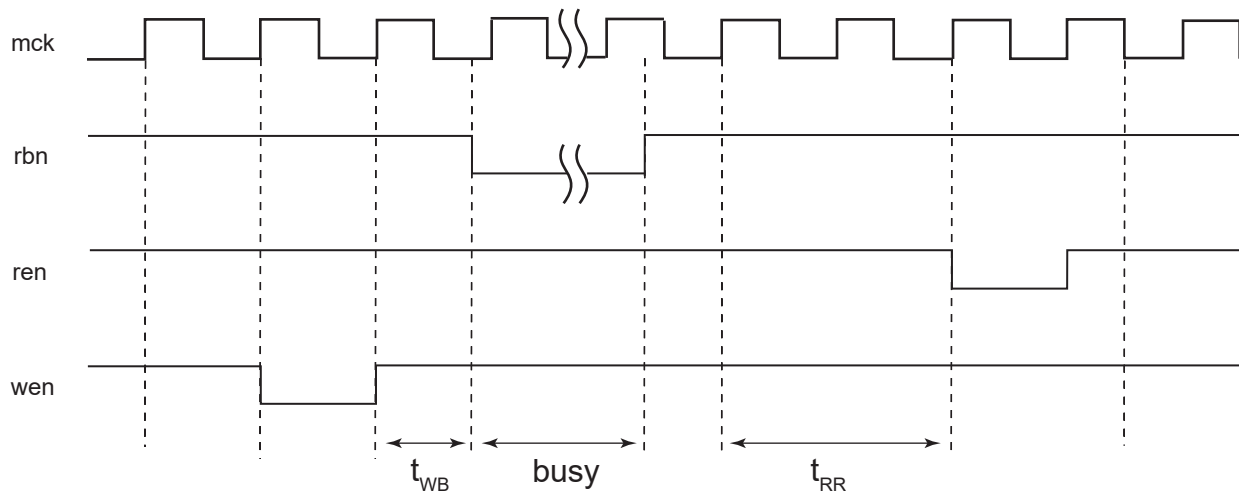
Figure 30-34: Read Enable Timing Configuration Working with NAND Flash Device



- Ready/Busy Signal Timing configuration working with a NAND Flash device

Use TWB field in HSMC_TIMINGS register to configure the maximum elapsed time between the rising edge of the wen signal and the falling edge of the rbn signal. Use TRR field in the HSMC_TIMINGS register to program the number of clock cycles between the rising edge of the rbn signal and the falling edge of the ren signal.

Figure 30-35: Ready/Busy Timing Configuration

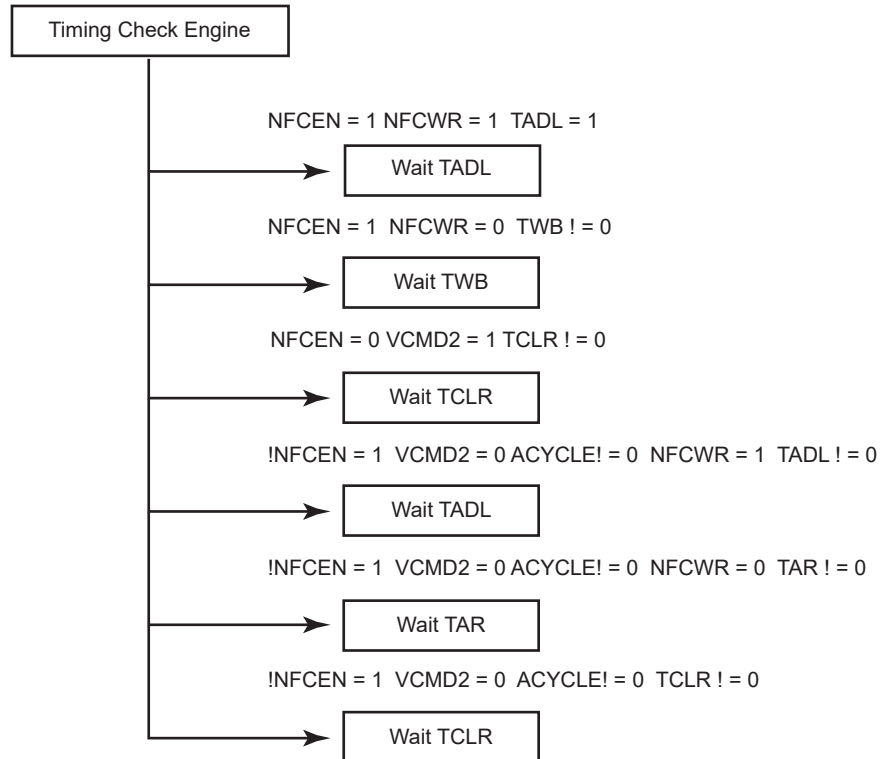


30.17.3.1 NFC Timing Engine

When the NFC Command register is written, the NFC issues a NAND Flash Command and optionally performs a data transfer between the NFC SRAM and the NAND Flash device. The NFC timing engine ensures valid NAND Flash timings, depending on the set of parameters decoded from the address bus. These timings are defined in the HSMC_TIMINGS register.

For information on the timing used depending on the command, see [Figure 30-36](#).

Figure 30-36: NFC Timing Engine



See the [NFC Address Command](#) register description and the [Timings Register](#).

SAMA5D3 SERIES

30.17.4 NFC SRAM

30.17.4.1 NFC SRAM Mapping

If the NFC is used to read and write data from and to the NAND Flash, the configuration depends on the page size (PAGESIZE field in HSMC_CFG register). See [Table 30-10](#) to [Table 30-14](#) for detailed mapping.

The NFC can handle the NAND Flash with a page size of 8 Kbytes or lower (such as 2 Kbytes, for example). In case of a 4 Kbyte or lower page size, the NFC SRAM can be split into two banks. The BANK bit in the HSMC_BANK register is used to select where NAND flash data are written or read. For an 8 Kbyte page size this field is not relevant.

Note that a “Ping-Pong” mode (write or read to a bank while the NFC writes or reads to another bank) is accessible with the NFC (using two different banks).

If the NFC is not used, the NFC SRAM can be used for a general purpose by the application.

Table 30-10: NFC SRAM Bank Mapping for 512 bytes

Offset	Use	Access
0x00000000–0x000001FF	Main Area Bank 0	Read/Write
0x00000200–0x000003FF	Spare Area Bank 0	Read/Write
0x00001200–0x000013FF	Main Area Bank 1	Read/Write
0x00001400–0x000015FF	Spare Area Bank 1	Read/Write

Table 30-11: NFC SRAM Bank Mapping for 1 Kbyte

Offset	Use	Access
0x00000000–0x000003FF	Main Area Bank 0	Read/Write
0x00000400–0x000005FF	Spare Area Bank 0	Read/Write
0x00001200–0x000015FF	Main Area Bank 1	Read/Write
0x00001600–0x000017FF	Spare Area Bank 1	Read/Write

Table 30-12: NFC SRAM Bank Mapping for 2 Kbytes

Offset	Use	Access
0x00000000–0x000007FF	Main Area Bank 0	Read/Write
0x00000800–0x000009FF	Spare Area Bank 0	Read/Write
0x00001200–0x000019FF	Main Area Bank 1	Read/Write
0x00001A00–0x00001BFF	Spare Area Bank 1	Read/Write

Table 30-13: NFC SRAM Bank Mapping for 4 Kbytes

Offset	Use	Access
0x00000000–0x00000FFF	Main Area Bank 0	Read/Write
0x00001000–0x000011FF	Spare Area Bank 0	Read/Write
0x00001200–0x000021FF	Main Area Bank 1	Read/Write
0x00002200–0x000023FF	Spare Area Bank 1	Read/Write

Table 30-14: NFC SRAM Bank Mapping for 8 Kbytes, only one bank is available

Offset	Use	Access
0x00000000–0x00001FFF	Main Area Bank 0	Read/Write
0x00002000–0x000023FF	Spare Area Bank 0	Read/Write

30.17.4.2 NFC SRAM Access Prioritization Algorithm

When the NFC is reading from or writing to an NFC SRAM bank, the other bank is available. If an NFC SRAM access occurs when the NFC performs a read or write operation in the same bank, then the access is discarded. The write operation is not performed. The read operation returns undefined data. If this situation is encountered, the AWB status flag located in the NFC Status Register is raised and indicates that a shared resource access violation has occurred.

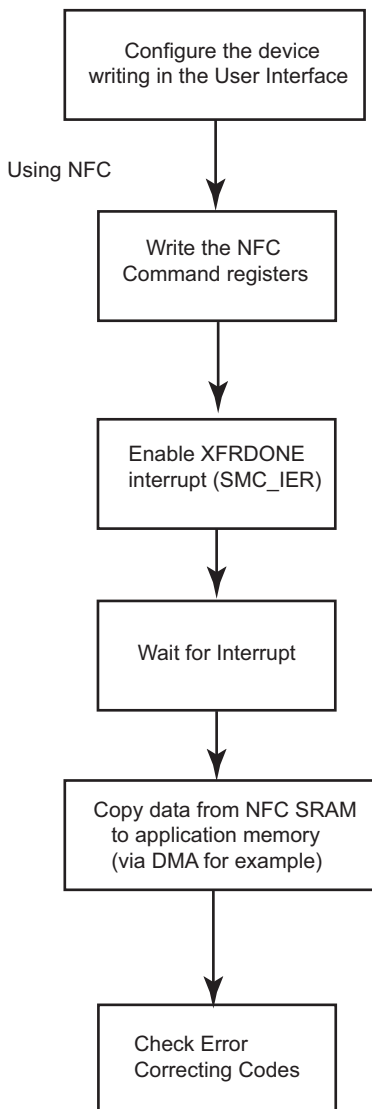
SAMA5D3 SERIES

30.17.5 NAND Flash Operations

This section describes the software operations needed to issue commands to the NAND Flash device and to perform data transfers using the NFC.

30.17.5.1 Page Read

Figure 30-37: Page Read Flow Chart

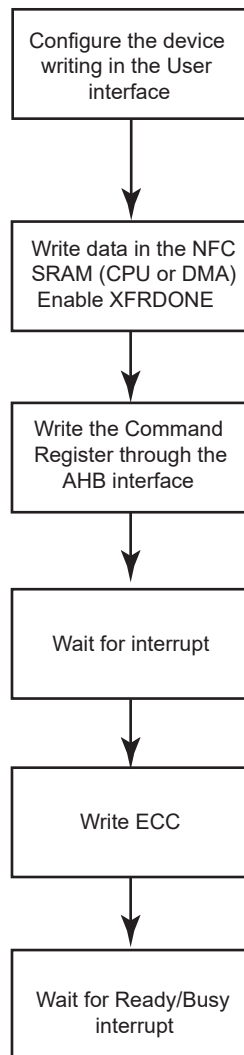


Note that, instead of using the interrupt, one can poll the NFCBUSY flag.

For more information on the NFC Control Register, see [Section 30.17.2.2 NFC Address Command](#).

30.17.5.2 Program Page

Figure 30-38: Program Page Flow Chart



Writing the ECC cannot be done using the NFC; it needs to be done “manually”.

Note that, instead of using the interrupt, one can poll the NFCBUSY flag.

For more information on the NFC Control Register, see [Section 30.17.2.2 NFC Address Command](#).

30.18 PMECC Controller Functional Description

The Programmable Multibit Error Correcting Code (PMECC) controller is a programmable binary BCH (Bose, Chaudhuri and Hocquenghem) encoder/decoder. This controller can be used to generate redundancy information for both SLC and MLC NAND devices. It supports redundancy for correction of 2, 4, 8, 12, or 24 errors per sector of data. The sector size is programmable and can be set to 512 bytes or 1024 bytes. The PMECC module generates redundancy at encoding time, when a NAND write page operation is performed. The redundancy is appended to the page and written in the spare area. This operation is performed by the processor. It moves the content of the PMECCX registers into the NAND flash memory. The number of registers depends on the selected error correction capability (see [Table 30-15 Relevant Redundancy Registers](#)). This operation shall be executed for each sector. At decoding time, the PMECC module generates the remainders of the received codeword by the minimal polynomials. When all remainders for a given sector are set to zero, no error occurred. When the remainders are different from zero, the codeword is corrupted and further processing is required.

The PMECC module generates an interrupt indicating that an error occurred. The processor must read the PMECC Interrupt Status Register (HSMC_PMECCISR). This register indicates which sector is corrupted.

The processor must execute the following decoding steps to find the error location within a sector:

1. Syndrome computation.
2. Finding the error location polynomial.
3. Finding the roots of the error location polynomial.

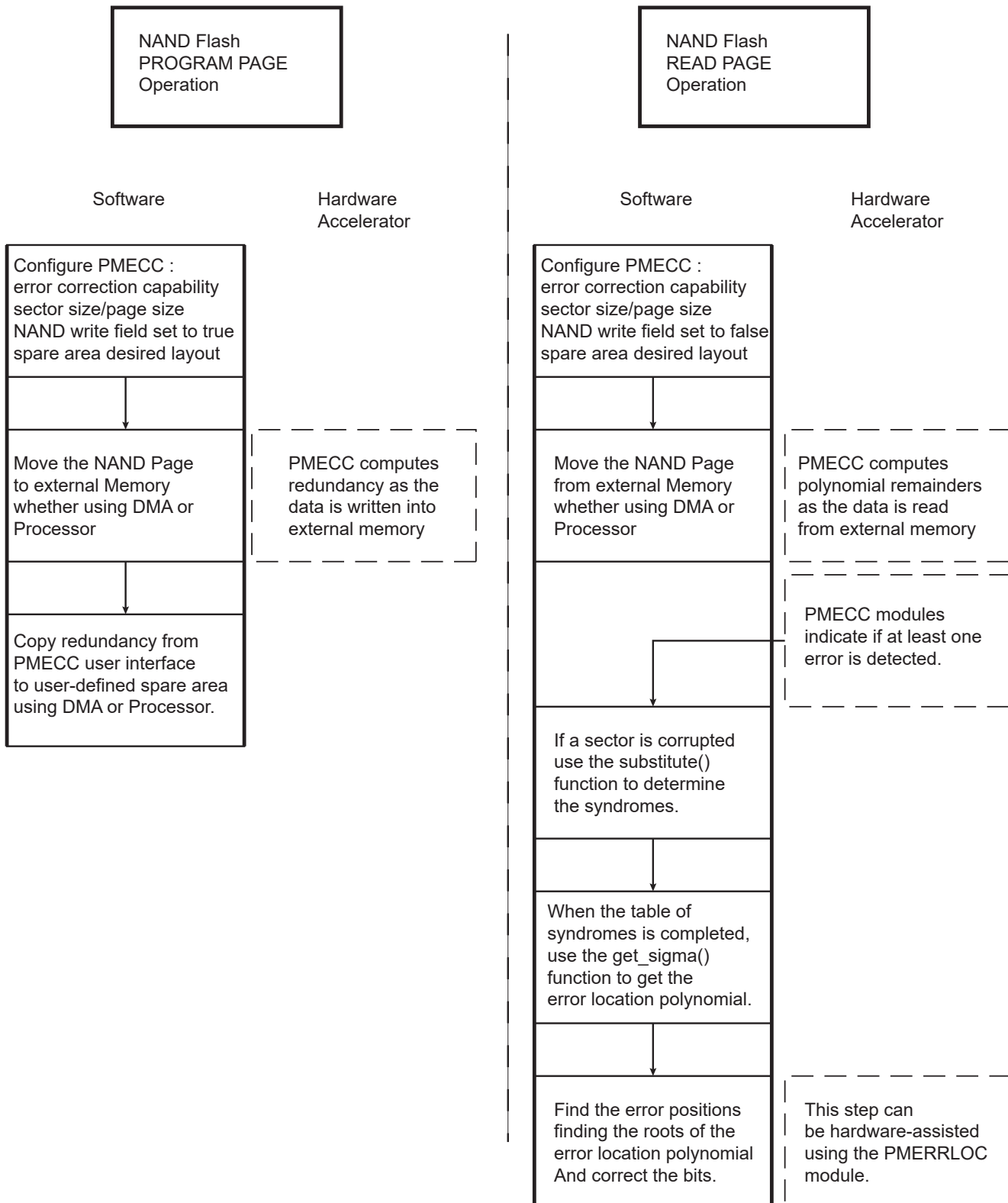
All decoding steps involve finite field computation. It means that a library of finite field arithmetic must be available to perform addition, multiplication and inversion. These arithmetic operations can be performed through the use of a memory mapped look-up table, or direct software implementation. The software implementation presented is based on look-up tables. Two tables named `gf_log` and `gf_antilog` are used. If α is the primitive element of the field, then a power of α is in the field. Assuming that $\beta = \alpha^{\text{index}}$, then β belongs to the field, and $\text{gf_log}(\beta) = \text{gf_log}(\alpha^{\text{index}}) = \text{index}$. The `gf_antilog` table provides exponent inverse of the element; if $\beta = \alpha^{\text{index}}$, then $\text{gf_antilog}(\text{index}) = \beta$.

The first step consists in the syndrome computation. The PMECC module computes the remainders and the software must substitute the power of the primitive element. The procedure implementation is given in [Section 30.19.1 Remainder Substitution Procedure](#).

The second step is the most software intensive. It is the Berlekamp's iterative algorithm for finding the error-location polynomial. The procedure implementation is given in [Section 30.19.2 Finding the Error Location Polynomial Sigma\(x\)](#).

The Last step is finding the root of the error location polynomial. This step can be very software intensive. Indeed there is no straightforward method of finding the roots, except evaluating each element of the field in the error location polynomial. However, a hardware accelerator can be used to find the roots of the polynomial. The PMERRLOC module provides this kind of hardware acceleration.

Figure 30-39: Software Hardware Multibit Error Correction Dataflow



SAMA5D3 SERIES

30.18.1 MLC/SLC Write Page Operation Using PMECC

When an MLC write page operation is performed, the PMECC controller is configured with the NANDWR bit of the PMECCFG register set to one. When the NAND spare area contains file system information and redundancy (PMECCx), the spare area is error protected, then the SPAREEN bit of the PMECCFG register is set. When the NAND spare area contains only redundancy information, the SPAREEN bit is cleared.

When the write page operation is terminated, the user writes the redundancy in the NAND spare area. This operation can be done with DMA assistance.

Table 30-15: Relevant Redundancy Registers

BCH_ERR Field	Sector Size Set to 512 Bytes	Sector Size Set to 1024 Bytes
0	PMECC0	PMECC0
1	PMECC0, PMECC1	PMECC0, PMECC1
2	PMECC0, PMECC1, PMECC2, PMECC3	PMECC0, PMECC1, PMECC2, PMECC3
3	PMECC0, PMECC1, PMECC2, PMECC3, PMECC4, PMECC5, PMECC6	PMECC0, PMECC1, PMECC2, PMECC3, PMECC4, PMECC5, PMECC6
4	PMECC0, PMECC1, PMECC2, PMECC3, PMECC4, PMECC5, PMECC6, PMECC7, PMECC8, PMECC9	PMECC0, PMECC1, PMECC2, PMECC3, PMECC4, PMECC5, PMECC6, PMECC7, PMECC8, PMECC9, PMECC10

Table 30-16: Number of Relevant ECC Bytes per Sector, Copied from LSByte to MSByte

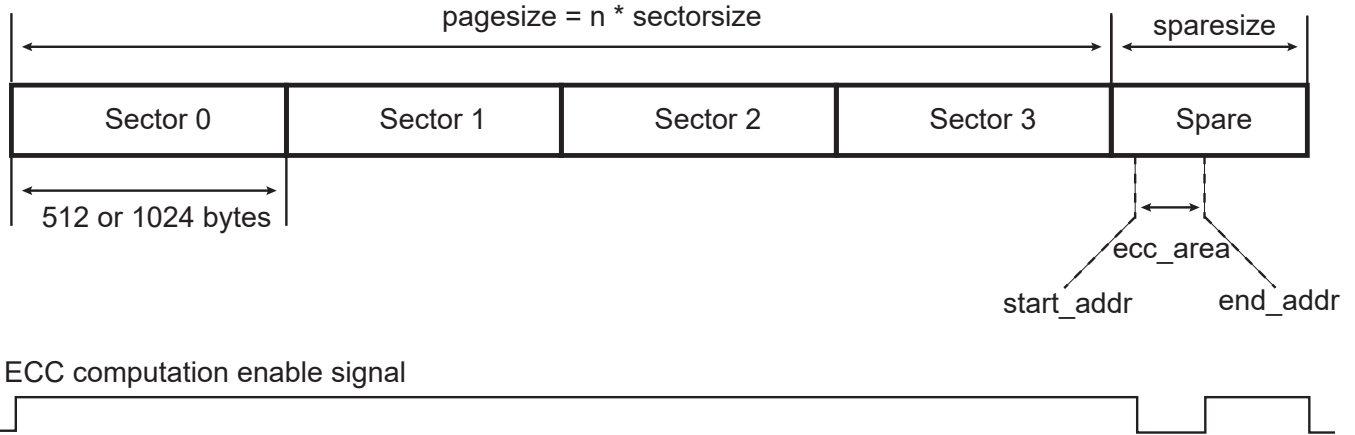
BCH_ERR Field	Sector Size Set to 512 Bytes	Sector Size Set to 1024 Bytes
0	4 bytes	4 bytes
1	7 bytes	7 bytes
2	13 bytes	14 bytes
3	20 bytes	21 bytes
4	39 bytes	42 bytes

30.18.1.1 SLC/MLC Write Operation with Spare Enable Bit Set

When the SPAREEN bit of the PMECCFG register is set, the spare area of the page is encoded with the stream of data of the last sector of the page. This mode is entered by setting the DATA bit of the PMECCTRL register. When the encoding process is over, the redundancy shall be written to the spare area in User mode. The USER bit of the PMECCTRL register must be set.

Figure 30-40: NAND Write Operation with Spare Encoding

Write NAND operation with SPAREEN = 1

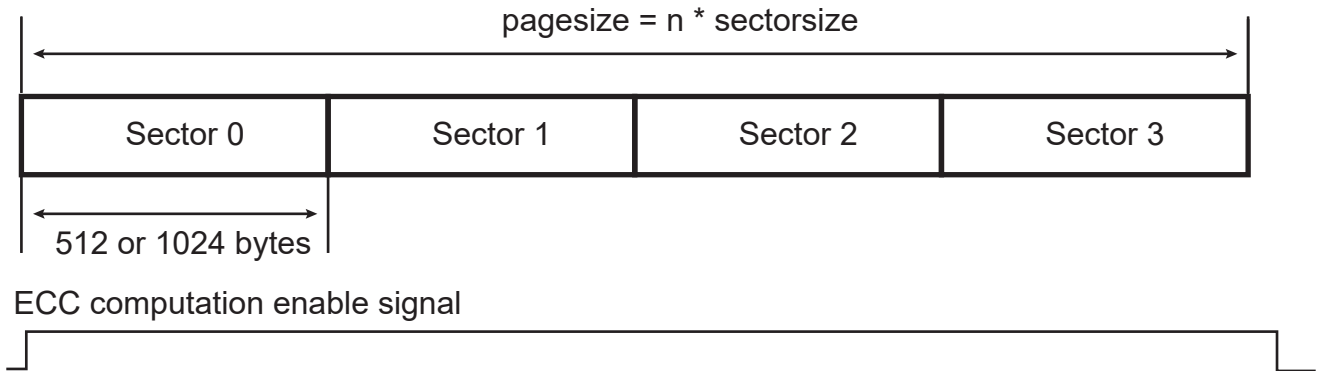


30.18.1.2 SLC/MLC Write Operation with Spare Disable

When the SPAREEN bit of PMECCFG is cleared, the spare area is not encoded with the stream of data. This mode is entered by setting the DATA bit of the PMECCCTRL register.

Figure 30-41: NAND Write Operation

Write NAND operation with SPAREEN = 0



SAMA5D3 SERIES

30.18.2 MLC/SLC Read Page Operation Using PMECC

Table 30-17: Relevant Remainder Registers

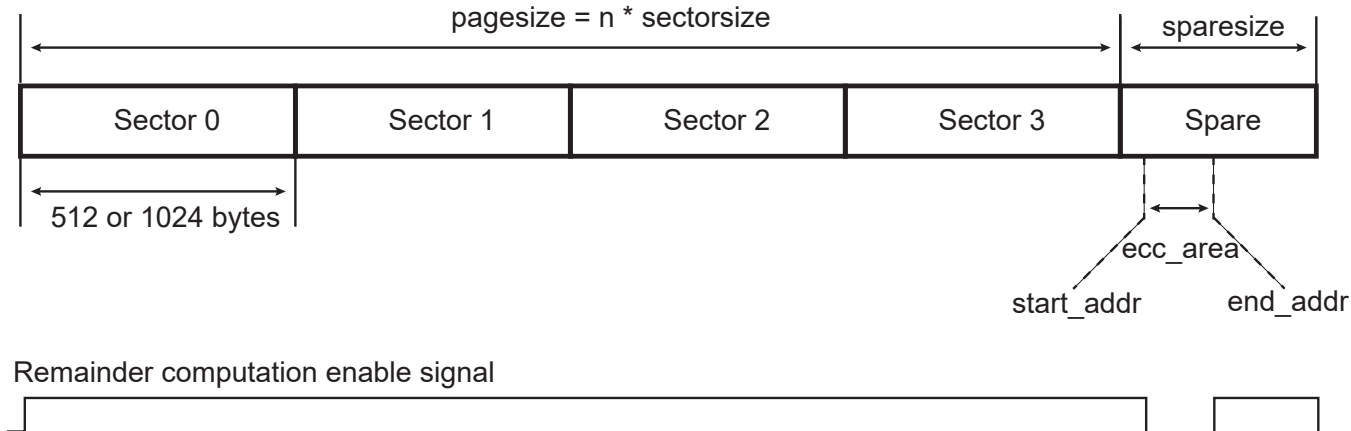
BCH_ERR Field	Sector Size Set to 512 Bytes	Sector Size Set to 1024 Bytes
0	PMECCREM0	PMECCREM0
1	PMECCREM0, PMECCREM1	PMECCREM0, PMECCREM1
2	PMECCREM0, PMECCREM1, PMECCREM2, PMECCREM3,	PMECCREM0, PMECCREM1, PMECCREM2, PMECCREM3
3	PMECCREM0, PMECCREM1, PMECCREM2, PMECCREM3, PMECCREM4, PMECCREM5, PMECCREM6, PMECCREM7	PMECCREM0, PMECCREM1, PMECCREM2, PMECCREM3, PMECCREM4, PMECCREM5, PMECCREM6, PMECCREM7
4	PMECCREM0, PMECCREM1, PMECCREM2, PMECCREM3, PMECCREM4, PMECCREM5, PMECCREM6, PMECCREM7, PMECCREM8, PMECCREM9, PMECCREM10, PMECCREM11	PMECCREM0, PMECCREM1, PMECCREM2, PMECCREM3, PMECCREM4, PMECCREM5, PMECCREM6, PMECCREM7, PMECCREM8, PMECCREM9, PMECCREM10, PMECCREM11

30.18.2.1 MLC/SLC Read Operation with Spare Decoding

When the spare area is protected, it contains valid data. As the redundancy may be included in the middle of the information stream, the user shall program the start address and the end address of the ECC area. This mode is entered writing a 1 in the DATA bit of the PMECCCTRL register. When the page has been fully retrieved from the NAND, the ECC area shall be read using the User mode, writing a 1 to the USER bit of the PMECCCTRL register.

Figure 30-42: Read Operation with Spare Decoding

Read NAND operation with SPAREEN set to One and AUTO set to Zero

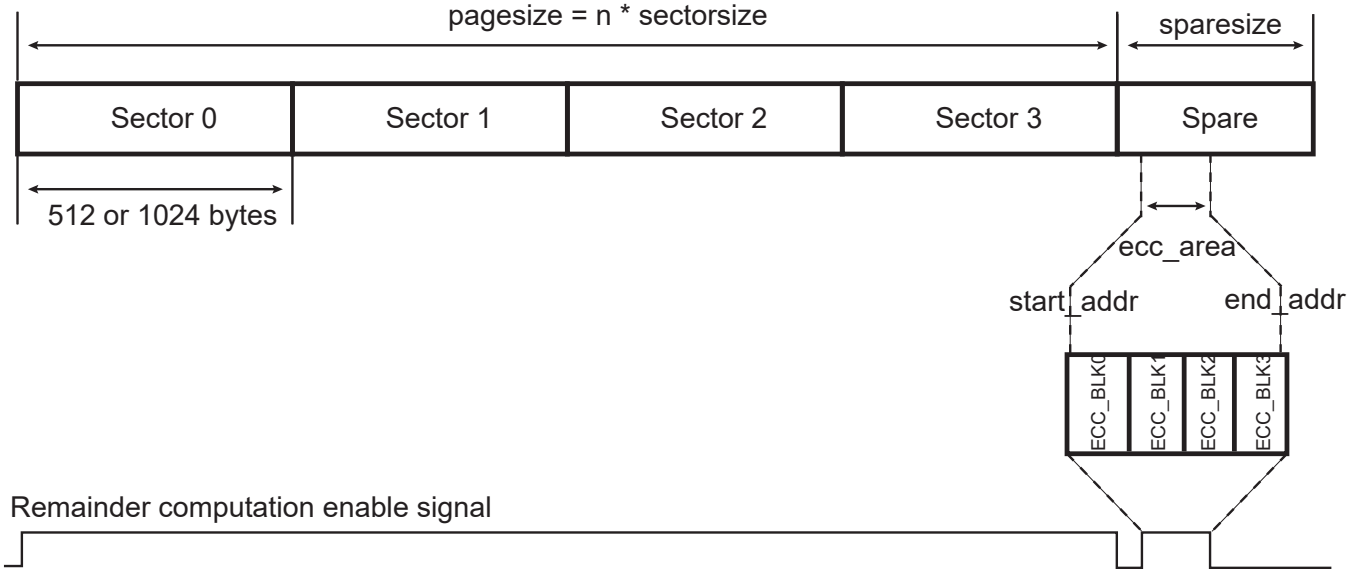


30.18.2.2 MLC/SLC Read Operation

If the spare area is not protected with the error correcting code, the redundancy area is retrieved directly. This mode is entered writing a 1 in the DATA bit of the PMECCCTRL register. When AUTO field is set to one, the ECC is retrieved automatically; otherwise, the ECC must be read using the User mode.

Figure 30-43: Read Operation

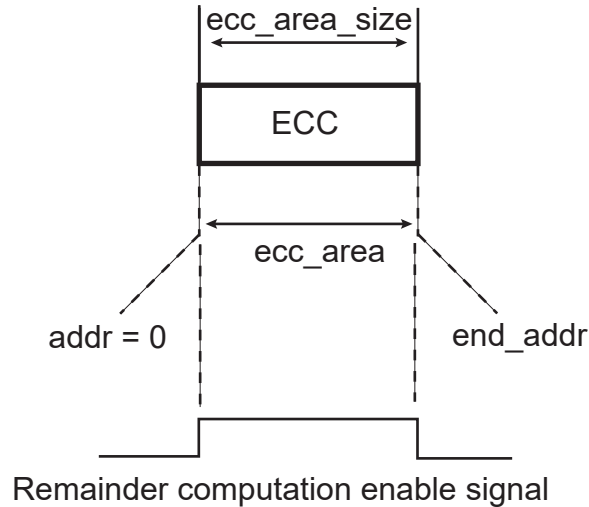
Read NAND operation with SPAREEN set to Zero and AUTO set to One



30.18.2.3 MLC/SLC User Read ECC Area

This mode allows a manual retrieve of the ECC. It is entered writing a 1 in the USER field of the PMECCTRL register.

Figure 30-44: Read User Mode



SAMA5D3 SERIES

30.18.2.4 MLC Controller Working with NFC

Table 30-18: MLC Controller Configuration when the Host Controller is Used

Transfer Type	NFC		PMECC		
	RSPARE	WSPARE	SPAREEN	AUTO	User Mode
Program Page main area is protected, spare is not protected, spare is written manually	0	0	0	0	Not used
Program Page main area is protected, spare is protected, spare is written by NFC	0	1	1	0	Not used
Read Page main area is protected, spare is not protected, spare is not retrieved by NFC	0	0	0	0	Used
Read Page main area is protected, spare is not protected, spare is retrieved by NFC	1	0	0	1	Not used
Read Page main area is protected, spare is protected, spare is retrieved by NFC	1	0	1	0	Used

30.19 Software Implementation

30.19.1 Remainder Substitution Procedure

The substitute function evaluates the remainder polynomial, with different values of the field primitive element. The addition arithmetic operation is performed with the exclusive OR. The multiplication arithmetic operation is performed through the `gf_log` and `gf_antilog` look-up tables.

The `REM2NP1` and `REM2NP3` fields of the `PMECCREMN` registers contain only odd remainders. Each bit indicates whether the coefficient of the remainder polynomial is set to zero or not.

`NB_ERROR_MAX` defines the maximum value of the error correcting capability.

`NB_ERROR` defines the error correcting capability selected at encoding/decoding time.

`NB_FIELD_ELEMENTS` defines the number of elements in the field.

`si[]` is a table that holds the current syndrome value. An element of that table belongs to the field. This is also a shared variable for the next step of the decoding operation.

`oo[]` is a table that contains the degree of the remainders.

```
int substitute()
{
    int i;
    int j;
    for (i = 1; i < 2 * NB_ERROR_MAX; i++)
    {
        si[i] = 0;
    }
    for (i = 1; i < 2*NB_ERROR; i++)
    {
        for (j = 0; j < oo[i]; j++)
        {
            if (REM2NPX[i][j])
            {
                si[i] = gf_antilog[(i * j)%NB_FIELD_ELEMENTS] ^ si[i];
            }
        }
    }
}
return 0;
}
```

30.19.2 Finding the Error Location Polynomial Sigma(x)

The sample code below gives a Berlekamp iterative procedure for finding the value of the error location polynomial.

The input of the procedure is the `si[]` table defined in the remainder substitution procedure.

The output of the procedure is the error location polynomial named `smu` (sigma mu). The polynomial coefficients belong to the field. The `smu[NB_ERROR+1][i]` is a table that contains all these coefficients.

`NB_ERROR_MAX` defines the maximum value of the error correcting capability.

`NB_ERROR` defines the error correcting capability selected at encoding/decoding time.

`NB_FIELD_ELEMENTS` defines the number of elements in the field.

```
int get_sigma()
{
int i;
int j;
int k;
/* mu */
int mu[NB_ERROR_MAX+2];
/* sigma ro */
int sro[2*NB_ERROR_MAX+1];
/* discrepancy */
int dmu[NB_ERROR_MAX+2];
/* delta order */
int delta[NB_ERROR_MAX+2];
/* index of largest delta */
int ro;
int largest;
int diff;
/*
First Row
*/
/* Mu */
mu[0] = -1; /* Actually -1/2 */
/* Sigma(x) set to 1 */
for (i = 0; i < (2*NB_ERROR_MAX+1); i++)
    smu[0][i] = 0;
smu[0][0] = 1;
/* discrepancy set to 1 */
dmu[0] = 1;
/* polynom order set to 0 */
lmu[0] = 0;
/* delta set to -1 */
delta[0] = (mu[0] * 2 - lmu[0]) >> 1;
/*
Second Row
*/
/* Mu */
mu[1] = 0;
/* Sigma(x) set to 1 */
for (i = 0; i < (2*NB_ERROR_MAX+1); i++)
    smu[1][i] = 0;
smu[1][0] = 1;
/* discrepancy set to Syndrome 1 */
dmu[1] = si[1];
/* polynom order set to 0 */
lmu[1] = 0;
/* delta set to 0 */
delta[1] = (mu[1] * 2 - lmu[1]) >> 1;
for (i=1; i <= NB_ERROR; i++)
{
mu[i+1] = i << 1;
/*****
/*
/*
/*
Compute Sigma (Mu+1)
*/
*/
*/
*/
}
}
```


SAMA5D3 SERIES

```
/*          And L(mu)                                     */
/* check if discrepancy is set to 0 */
if (dmu[i] == 0)
{
/* copy polynom */
for (j=0; j<2*NB_ERROR_MAX+1; j++)
{
    smu[i+1][j] = smu[i][j];
}
/* copy previous polynom order to the next */
lmu[i+1] = lmu[i];
}
else
{
    ro = 0;
    largest = -1;
/* find largest delta with dmu != 0 */
for (j=0; j<i; j++)
    {
        if (dmu[j])
            {
                if (delta[j] > largest)
                    {
                        largest = delta[j];
                        ro = j;
                    }
            }
    }
/* initialize signal ro */
for (k = 0; k < 2*NB_ERROR_MAX+1; k ++)
{
    sro[k] = 0;
}
/* compute difference */
diff = (mu[i] - mu[ro]);
/* compute X ^ (2(mu-ro)) */
for (k = 0; k < (2*NB_ERROR_MAX+1); k ++)
{
    sro[k+diff] = smu[ro][k];
}
/* multiply by dmu * dmu[ro]^-1 */
for (k = 0; k < 2*NB_ERROR_MAX+1; k ++)
{
    /* dmu[ro] is not equal to zero by definition */
    /* check that operand are different from 0 */
    if (sro[k] && dmu[i])
    {
        /* galois inverse */
        sro[k] = gf_antilog[(gf_log[dmu[i]] + (NB_FIELD_ELEMENTS-gf_log[dmu[ro]]) + gf_log[sro[k]]) %
NB_FIELD_ELEMENTS];
    }
}
/* multiply by dmu * dmu[ro]^-1 */
for (k = 0; k < 2*NB_ERROR_MAX+1; k++)
{
    smu[i+1][k] = smu[i][k] ^ sro[k];
    if (smu[i+1][k])
    {
        /* find the order of the polynom */
        lmu[i+1] = k << 1;
    }
}
}
/*                                     */
/*                                     */
```

```

/*      End Compute Sigma (Mu+1)          */
/*      And L(mu)                        */
/*****/
/* In either case compute delta */
delta[i+1] = (mu[i+1] * 2 - lmu[i+1]) >> 1;
/* In either case compute the discrepancy */
for (k = 0 ; k <= (lmu[i+1]>>1); k++)
{
    if (k == 0)
        dmu[i+1] = si[2*(i-1)+3];
    /* check if one operand of the multiplier is null, its index is -1 */
    else if (smu[i+1][k] && si[2*(i-1)+3-k])
        dmu[i+1] = gf_antilog[(gf_log[smu[i+1][k]] + gf_log[si[2*(i-1)+3-k]])%nn] ^ dmu[i+1];
}
}
return 0;
}

```

30.19.3 Finding the Error Position

The output of the `get_sigma()` procedure is a polynomial stored in the `smu[NB_ERROR+1][i]` table. The error positions are the roots of that polynomial. The degree of that polynomial is a very important information, as it gives the number of errors. PMERRLOC module provides hardware accelerator for that step.

30.19.3.1 Error Location

The PMECC Error Location controller provides hardware acceleration for determining roots of polynomials over two finite fields: $GF(2^{13})$ and $GF(2^{14})$. It integrates 24 fully programmable coefficients. These coefficients belong to $GF(2^{13})$ or $GF(2^{14})$. The coefficient programmed in the `PMERRLOC{i}` is the coefficient of X^i in the polynomial.

The search operation is started as soon as a write access is detected in the ELEN register and can be disabled writing to the ELDIS register. The ENINIT field of the ELEN register shall be initialized with the number of galois field elements to test. The set of the roots can be limited to a valid range.

Table 30-19: ENINIT Field Value for a Sector Size of 512 Bytes

Error Correcting Capability	ENINIT Value
2	4122
4	4148
8	4200
12	4252
24	4408

Table 30-20: ENINIT Field Value for a Sector Size of 1024 Bytes

Error Correcting Capability	ENINIT Value
2	8220
4	8248
8	8304
12	8360
24	8528

When the PMECC engine is searching for roots, the BUSY field of the ELSR register remains asserted. An interrupt is asserted at the end of the computation, and the DONE bit of the PMECC Error Location Interrupt Status Register (HSMC_ELSIR) is set. The ERR_CNT field of the HSMC_ELSIR indicates the number of errors. The error position can be read in the PMERRLOCX registers.

SAMA5D3 SERIES

30.20 Static Memory Controller (SMC) User Interface

The SMC is programmed using the registers listed in [Table 30-21](#). For each chip select, a set of four registers is used to program the parameters of the external device. In [Table 30-21](#), “CS_number” denotes the chip select number. Sixteen bytes per chip select are required.

Table 30-21: Register Mapping

Offset	Register	Name	Access	Reset
0x000	NFC Configuration Register	HSMC_CFG	Read/Write	0x0
0x004	NFC Control Register	HSMC_CTRL	Write-only	–
0x008	NFC Status Register	HSMC_SR	Read-only	0x0
0x00C	NFC Interrupt Enable Register	HSMC_IER	Write-only	–
0x010	NFC Interrupt Disable Register	HSMC_IDR	Write-only	–
0x014	NFC Interrupt Mask Register	HSMC_IMR	Read-only	0x0
0x018	NFC Address Cycle Zero Register	HSMC_ADDR	Read/Write	0x0
0x01C	Bank Address Register	HSMC_BANK	Read/Write	0x0
0x020–0x06C	Reserved	–	–	–
0x070	PMECC Configuration Register	HSMC_PMECCFG	Read/Write	0x0
0x074	PMECC Spare Area Size Register	HSMC_PMECCSAREA	Read/Write	0x0
0x078	PMECC Start Address Register	HSMC_PMECCSADDR	Read/Write	0x0
0x07C	PMECC End Address Register	HSMC_PMECCADDR	Read/Write	0x0
0x080	Reserved	–	–	–
0x084	PMECC Control Register	HSMC_PMECCCTRL	Write-only	–
0x088	PMECC Status Register	HSMC_PMECCSR	Read-only	0x0
0x08C	PMECC Interrupt Enable register	HSMC_PMECCIER	Write-only	–
0x090	PMECC Interrupt Disable Register	HSMC_PMECCIDR	Write-only	–
0x094	PMECC Interrupt Mask Register	HSMC_PMECCIMR	Read-only	0x0
0x098	PMECC Interrupt Status Register	HSMC_PMECCISR	Read-only	0x0
0x09C–0x0AC	Reserved	–	–	–
0x0B0+sec_num*(0x40)+0x00	PMECC Redundancy 0 Register	HSMC_PMECC0	Read-only	0x0
0x0B0+sec_num*(0x40)+0x04	PMECC Redundancy 1 Register	HSMC_PMECC1	Read-only	0x0
0x0B0+sec_num*(0x40)+0x08	PMECC Redundancy 2 Register	HSMC_PMECC2	Read-only	0x0
0x0B0+sec_num*(0x40)+0x0C	PMECC Redundancy 3 Register	HSMC_PMECC3	Read-only	0x0
0x0B0+sec_num*(0x40)+0x10	PMECC Redundancy 4 Register	HSMC_PMECC4	Read-only	0x0
0x0B0+sec_num*(0x40)+0x14	PMECC Redundancy 5 Register	HSMC_PMECC5	Read-only	0x0
0x0B0+sec_num*(0x40)+0x18	PMECC Redundancy 6 Register	HSMC_PMECC6	Read-only	0x0
0x0B0+sec_num*(0x40)+0x1C	PMECC Redundancy 7 Register	HSMC_PMECC7	Read-only	0x0
0x0B0+sec_num*(0x40)+0x20	PMECC Redundancy 8 Register	HSMC_PMECC8	Read-only	0x0
0x0B0+sec_num*(0x40)+0x24	PMECC Redundancy 9 Register	HSMC_PMECC9	Read-only	0x0
0x0B0+sec_num*(0x40)+0x28	PMECC Redundancy 10 Register	HSMC_PMECC10	Read-only	0x0
0x2B0+sec_num*(0x40)+0x00	PMECC Remainder 0 Register	HSMC_REM0	Read-only	0x0

Table 30-21: Register Mapping (Continued)

Offset	Register	Name	Access	Reset
0x2B0+sec_num*(0x40)+0x04	PMECC Remainder 1 Register	HSMC_REM1	Read-only	0x0
0x2B0+sec_num*(0x40)+0x08	PMECC Remainder 2 Register	HSMC_REM2	Read-only	0x0
0x2B0+sec_num*(0x40)+0x0C	PMECC Remainder 3 Register	HSMC_REM3	Read-only	0x0
0x2B0+sec_num*(0x40)+0x10	PMECC Remainder 4 Register	HSMC_REM4	Read-only	0x0
0x2B0+sec_num*(0x40)+0x14	PMECC Remainder 5 Register	HSMC_REM5	Read-only	0x0
0x2B0+sec_num*(0x40)+0x18	PMECC Remainder 6 Register	HSMC_REM6	Read-only	0x0
0x2B0+sec_num*(0x40)+0x1C	PMECC Remainder 7 Register	HSMC_REM7	Read-only	0x0
0x2B0+sec_num*(0x40)+0x20	PMECC Remainder 8 Register	HSMC_REM8	Read-only	0x0
0x2B0+sec_num*(0x40)+0x24	PMECC Remainder 9 Register	HSMC_REM9	Read-only	0x0
0x2B0+sec_num*(0x40)+0x28	PMECC Remainder 10 Register	HSMC_REM10	Read-only	0x0
0x2B0+sec_num*(0x40)+0x2C	PMECC Remainder 11 Register	HSMC_REM11	Read-only	0x0
0x4A0–0x4FC	Reserved	–	–	–
0x500	PMECC Error Location Configuration Register	HSMC_ELCFG	Read/Write	0x0
0x504	PMECC Error Location Primitive Register	HSMC_ELPRIM	Read-only	0x401A
0x508	PMECC Error Location Enable Register	HSMC_ELEN	Write-only	–
0x50C	PMECC Error Location Disable Register	HSMC_ELDIS	Write-only	–
0x510	PMECC Error Location Status Register	HSMC_ELSR	Read-only	0x0
0x514	PMECC Error Location Interrupt Enable register	HSMC_ELIER	Write-only	–
0x518	PMECC Error Location Interrupt Disable Register	HSMC_ELIDR	Write-only	–
0x51C	PMECC Error Location Interrupt Mask Register	HSMC_ELIMR	Read-only	0x0
0x520	PMECC Error Location Interrupt Status Register	HSMC_ELISR	Read-only	0x0
0x524	Reserved	–	–	–
0x528	PMECC Error Location SIGMA 0 Register	HSMC_SIGMA0	Read-only	0x1
0x52C	PMECC Error Location SIGMA 1 Register	HSMC_SIGMA1	Read/Write	0x0
0x530	PMECC Error Location SIGMA 2 Register	HSMC_SIGMA2	Read/Write	0x0
0x534	PMECC Error Location SIGMA 3 Register	HSMC_SIGMA3	Read/Write	0x0
0x538	PMECC Error Location SIGMA 4 Register	HSMC_SIGMA4	Read/Write	0x0
0x53C	PMECC Error Location SIGMA 5 Register	HSMC_SIGMA5	Read/Write	0x0

SAMA5D3 SERIES

Table 30-21: Register Mapping (Continued)

Offset	Register	Name	Access	Reset
0x540	PMECC Error Location SIGMA 6 Register	HSMC_SIGMA6	Read/Write	0x0
0x544	PMECC Error Location SIGMA 7 Register	HSMC_SIGMA7	Read/Write	0x0
0x548	PMECC Error Location SIGMA 8 Register	HSMC_SIGMA8	Read/Write	0x0
0x54C	PMECC Error Location SIGMA 9 Register	HSMC_SIGMA9	Read/Write	0x0
0x550	PMECC Error Location SIGMA 10 Register	HSMC_SIGMA10	Read/Write	0x0
0x554	PMECC Error Location SIGMA 11 Register	HSMC_SIGMA11	Read/Write	0x0
0x558	PMECC Error Location SIGMA 12 Register	HSMC_SIGMA12	Read/Write	0x0
0x55C	PMECC Error Location SIGMA 13 Register	HSMC_SIGMA13	Read/Write	0x0
0x560	PMECC Error Location SIGMA 14 Register	HSMC_SIGMA14	Read/Write	0x0
0x564	PMECC Error Location SIGMA 15 Register	HSMC_SIGMA15	Read/Write	0x0
0x568	PMECC Error Location SIGMA 16 Register	HSMC_SIGMA16	Read/Write	0x0
0x56C	PMECC Error Location SIGMA 17 Register	HSMC_SIGMA17	Read/Write	0x0
0x570	PMECC Error Location SIGMA 18 Register	HSMC_SIGMA18	Read/Write	0x0
0x574	PMECC Error Location SIGMA 19 Register	HSMC_SIGMA19	Read/Write	0x0
0x578	PMECC Error Location SIGMA 20 Register	HSMC_SIGMA20	Read/Write	0x0
0x57C	PMECC Error Location SIGMA 21 Register	HSMC_SIGMA21	Read/Write	0x0
0x580	PMECC Error Location SIGMA 22 Register	HSMC_SIGMA22	Read/Write	0x0
0x584	PMECC Error Location SIGMA 23 Register	HSMC_SIGMA23	Read/Write	0x0
0x588	PMECC Error Location SIGMA 24 Register	HSMC_SIGMA24	Read/Write	0x0
0x58C	PMECC Error Location 0 Register	HSMC_ERRLOC0	Read-only	0x0
...
0x5E8	PMECC Error Location 23 Register	HSMC_ERRLOC23	Read-only	0x0
0x5EC–0x5FC	Reserved	–	–	–
0x14*CS_number+0x600	Setup Register	HSMC_SETUP	Read/Write	–

Table 30-21: Register Mapping (Continued)

Offset	Register	Name	Access	Reset
0x14*CS_number+0x604	Pulse Register	HSMC_PULSE	Read/Write	–
0x14*CS_number+0x608	Cycle Register	HSMC_CYCLE	Read/Write	–
0x14*CS_number+0x60C	Timings Register	HSMC_TIMINGS	Read/Write	–
0x14*CS_number+0x610	Mode Register	HSMC_MODE	Read/Write	–
0x6A0	Off Chip Memory Scrambling Register	HSMC_OCMS	Read/Write	0x0
0x6A4	Off Chip Memory Scrambling KEY1 Register	HSMC_KEY1	Write-once	0x0
0x6A8	Off Chip Memory Scrambling KEY2 Register	HSMC_KEY2	Write-once	0x0
0x6AC–0x6E0	Reserved	–	–	–
0x6E4	Write Protection Mode Register	HSMC_WPMR	Read/Write	0x0
0x6E8	Write Protection Status Register	HSMC_WPSR	Read-only	0x0
0x6EC–0x6FC	Reserved	–	–	–

SAMA5D3 SERIES

30.20.1 NFC Configuration Register

Name:HSMC_CFG

Address:0xFFFFC000

Access:Read/Write

31	30	29	28	27	26	25	24
-		NFCSPARESIZE					
23	22	21	20	19	18	17	16
-		DTOMUL			DTCYC		
15	14	13	12	11	10	9	8
-		RBEDGE	EDGECTRL	-	-	RSPARE	WSPARE
7	6	5	4	3	2	1	0
-		-	-	-	PAGESIZE		

PAGESIZE: Page Size of the NAND Flash Device

Value	Name	Description
0	PS512	Main area 512 bytes
1	PS1024	Main area 1024 bytes
2	PS2048	Main area 2048 bytes
3	PS4096	Main area 4096 bytes
4	PS8192	Main area 8192 bytes

WSPARE: Write Spare Area

0: The NFC skips the spare area in Write mode.

1: The NFC writes both main area and spare area in Write mode.

RSPARE: Read Spare Area

0: The NFC skips the spare area in Read mode.

1: The NFC reads both main area and spare area in Read mode.

EDGECTRL: Rising/Falling Edge Detection Control

0: Rising edge is detected

1: Falling edge is detected

RBEDGE: Ready/Busy Signal Edge Detection

0: When configured to zero, RB_EDGE fields indicate the level of the Ready/Busy lines.

1: When set to one, RB_EDGE fields indicate only transition on Ready/Busy lines.

DTCYC: Data Timeout Cycle Number

DTOMUL: Data Timeout Multiplier

These fields determine the maximum number of Master Clock cycles that the SMC waits until the detection of a rising edge on Ready/Busy signal.

Data Timeout Multiplier is defined by DTOMUL as shown in the following table:

Value	Name	Description
0	X1	DTOCYC
1	X16	DTOCYC x 16
2	X128	DTOCYC x 128
3	X256	DTOCYC x 256
4	X1024	DTOCYC x 1024
5	X4096	DTOCYC x 4096
6	X65536	DTOCYC x 65536
7	X1048576	DTOCYC x 1048576

If the data timeout set by DTOCYC and DTOMUL has been exceeded, the Data Timeout Error flag (DTOE) in the NFC Status Register (NFC_SR) raises.

NFCSPARESIZE: NAND Flash Spare Area Size Retrieved by the Host Controller

The spare size is set to $(\text{NFCSPARESIZE} + 1) * 4$ bytes. The spare area is only retrieved when RSPARE or WSPARE is activated.

SAMA5D3 SERIES

30.20.2 NFC Control Register

Name:HSMC_CTRL

Address:0xFFFFC004

Access:Write-only

31	30	29	28	27	26	25	24
–	–	–	–	–	–	–	–
23	22	21	20	19	18	17	16
–	–	–	–	–	–	–	–
15	14	13	12	11	10	9	8
–	–	–	–	–	–	–	–
7	6	5	4	3	2	1	0
–	–	–	–	–	–	NFCDIS	NFCEN

NFCEN: NAND Flash Controller Enable

0: No effect

1: Enable the NAND Flash controller.

NFCDIS: NAND Flash Controller Disable

0: No effect

1: Disable the NAND Flash controller.

30.20.3 NFC Status Register

Name:HSMC_SR

Address:0xFFFFC008

Access:Read-only

31	30	29	28	27	26	25	24
–	–	–	–	–	–	–	RB_EDGE0
23	22	21	20	19	18	17	16
NFCASE	AWB	UNDEF	DTOE	–	–	CMDDONE	XFRDONE
15	14	13	12	11	10	9	8
–	NFCSID		NFCWR		–	–	NFCBUSY
7	6	5	4	3	2	1	0
–	–	RB_FALL	RB_RISE	–	–	–	SMCSTS

SMCSTS: NAND Flash Controller Status (this field cannot be reset)

0: NAND Flash Controller disabled

1: NAND Flash Controller enabled

RB_RISE: Selected Ready Busy Rising Edge Detected

When set to one, this flag indicates that a rising edge on the Ready/Busy Line has been detected. This flag is reset after a status read operation. The Ready/Busy line selected is the decoding of the set NFCCSID, RBNSEL fields.

RB_FALL: Selected Ready Busy Falling Edge Detected

When set to one, this flag indicates that a falling edge on the Ready/Busy Line has been detected. This flag is reset after a status read operation. The Ready/Busy line is selected through the decoding of the set NFCSID, RBNSEL fields.

NFCBUSY: NFC Busy (this field cannot be reset)

When set to one, this flag indicates that the Controller is activated and accesses the memory device.

NFCWR: NFC Write/Read Operation (this field cannot be reset)

When a command is issued, this field indicates the current Read or Write Operation.

NFCSID: NFC Chip Select ID (this field cannot be reset)

When a command is issued, this field indicates the value of the targeted chip select.

XFRDONE: NFC Data Transfer Terminated

When set to one, this flag indicates that the NFC has terminated the Data Transfer. This flag is reset after a status read operation.

CMDDONE: Command Done

When set to one, this flag indicates that the NFC has terminated the Command. This flag is reset after a status read operation.

DTOE: Data Timeout Error

When set to one, this flag indicates that the Data timeout set be by DTOMUL and DTOCYC has been exceeded. This flag is reset after a status read operation.

UNDEF: Undefined Area Error

When set to one, this flag indicates that the processor performed an access in an undefined memory area. This flag is reset after a status read operation.

AWB: Accessing While Busy

If set to one, this flag indicates that an AHB master has performed an access during the busy phase. This flag is reset after a status read operation.

SAMA5D3 SERIES

NFCASE: NFC Access Size Error

If set to one, this flag indicates that an illegal access has been detected in the NFC Memory Area. Only Word Access is allowed within the NFC memory area. This flag is reset after a status read operation.

RB_EDGE_x: Ready/Busy Line x Edge Detected

If set to one, this flag indicates that an edge has been detected on the Ready/Busy Line x. Depending on the EDGE_CTRL field located in the HSMC_CFG register, only rising or falling edge is detected. This flag is reset after a status read operation.

30.20.4 NFC Interrupt Enable Register

Name:HSMC_IER

Address:0xFFFFC00C

Access:Write-only

31	30	29	28	27	26	25	24
–	–	–	–	–	–	–	RB_EDGE0
23	22	21	20	19	18	17	16
NFCASE	AWB	UNDEF	DTOE	–	–	CMDDONE	XFRDONE
15	14	13	12	11	10	9	8
–	–	–	–	–	–	–	–
7	6	5	4	3	2	1	0
–	–	RB_FALL	RB_RISE	–	–	–	–

RB_RISE: Ready Busy Rising Edge Detection Interrupt Enable

0: No effect

1: Interrupt source enabled

RB_FALL: Ready Busy Falling Edge Detection Interrupt Enable

0: No effect

1: Interrupt source enabled

XFRDONE: Transfer Done Interrupt Enable

0: No effect

1: Interrupt source enabled

CMDDONE: Command Done Interrupt Enable

0: No effect

1: Interrupt source enabled

DTOE: Data Timeout Error Interrupt Enable

0: No effect

1: Interrupt source enabled

UNDEF: Undefined Area Access Interrupt Enable

0: No effect

1: Interrupt source enabled

AWB: Accessing While Busy Interrupt Enable

0: No effect

1: Interrupt source enabled

SAMA5D3 SERIES

NFCASE: NFC Access Size Error Interrupt Enable

0: No effect

1: Interrupt source enabled

RB_EDGE_x: Ready/Busy Line x Interrupt Enable

0: No effect

1: Interrupt source enabled

30.20.5 NFC Interrupt Disable Register

Name:HSMC_IDR

Address:0xFFFFC010

Access:Write-only

31	30	29	28	27	26	25	24
–	–	–	–	–	–	–	RB_EDGE0
23	22	21	20	19	18	17	16
NFCASE	AWB	UNDEF	DTOE	–	–	CMDDONE	XFRDONE
15	14	13	12	11	10	9	8
–	–	–	–	–	–	–	–
7	6	5	4	3	2	1	0
–	–	RB_FALL	RB_RISE	–	–	–	–

RB_RISE: Ready Busy Rising Edge Detection Interrupt Disable

0: No effect

1: Interrupt source disabled

RB_FALL: Ready Busy Falling Edge Detection Interrupt Disable

0: No effect

1: Interrupt source disabled

XFRDONE: Transfer Done Interrupt Disable

0: No effect

1: Interrupt source disabled

CMDDONE: Command Done Interrupt Disable

0: No effect

1: Interrupt source disabled

DTOE: Data Timeout Error Interrupt Disable

0: No effect

1: Interrupt source disabled

UNDEF: Undefined Area Access Interrupt Disable

0: No effect

1: Interrupt source disabled

AWB: Accessing While Busy Interrupt Disable

0: No effect

1: Interrupt source disabled

SAMA5D3 SERIES

NFCASE: NFC Access Size Error Interrupt Disable

0: No effect

1: Interrupt source disabled

RB_EDGE_x: Ready/Busy Line x Interrupt Disable

0: No effect

1: Interrupt source disabled

30.20.6 NFC Interrupt Mask Register

Name:HSMC_IMR

Address:0xFFFFC014

Access:Read-only

31	30	29	28	27	26	25	24
–	–	–	–	–	–	–	RB_EDGE0
23	22	21	20	19	18	17	16
NFCASE	AWB	UNDEF	DTOE	–	–	CMDDONE	XFRDONE
15	14	13	12	11	10	9	8
–	–	–	–	–	–	–	–
7	6	5	4	3	2	1	0
–	–	RB_FALL	RB_RISE	–	–	–	–

RB_RISE: Ready Busy Rising Edge Detection Interrupt Mask

0: Interrupt source disabled

1: Interrupt source enabled

RB_FALL: Ready Busy Falling Edge Detection Interrupt Mask

0: Interrupt source disabled

1: Interrupt source enabled

XFRDONE: Transfer Done Interrupt Mask

0: Interrupt source disabled

1: Interrupt source enabled

CMDDONE: Command Done Interrupt Mask

0: Interrupt source disabled

1: Interrupt source enabled

DTOE: Data Timeout Error Interrupt Mask

0: Interrupt source disabled

1: Interrupt source enabled

UNDEF: Undefined Area Access Interrupt Mask5

0: Interrupt source disabled

1: Interrupt source enabled

AWB: Accessing While Busy Interrupt Mask

0: Interrupt source disabled

1: Interrupt source enabled

NFCASE: NFC Access Size Error Interrupt Mask

0: Interrupt source disabled

1: Interrupt source enabled

RB_EDGE_x: Ready/Busy Line x Interrupt Mask

0: Interrupt source disabled

1: Interrupt source enabled

SAMA5D3 SERIES

30.20.7 NFC Address Cycle Zero Register

Name:HSMC_ADDR

Address:0xFFFFC018

Access:Read/Write

31	30	29	28	27	26	25	24
–	–	–	–	–	–	–	–
23	22	21	20	19	18	17	16
–	–	–	–	–	–	–	–
15	14	13	12	11	10	9	8
–	–	–	–	–	–	–	–
7	6	5	4	3	2	1	0
ADDR_CYCLE0							

ADDR_CYCLE0: NAND Flash Array Address Cycle 0

When five address cycles are used, ADDR_CYCLE0 is the first byte written to the NAND Flash (used by the NFC).

30.20.8 NFC Bank Register

Name:HSMC_BANK

Address:0xFFFFC01C

Access:Read/Write

31	30	29	28	27	26	25	24
-	-	-	-	-	-	-	-
23	22	21	20	19	18	17	16
-	-	-	-	-	-	-	-
15	14	13	12	11	10	9	8
-	-	-	-	-	-	-	-
7	6	5	4	3	2	1	0
-	-	-	-	-	-	-	BANK

BANK: Bank Identifier

0: Bank 0 is used.

1: Bank 1 is used.

SAMA5D3 SERIES

30.20.9 PMECC Configuration Register

Name: HSMC_PMECCFG

Address: 0xFFFFC070

Access: Read/Write

31	30	29	28	27	26	25	24
–	–	–	–	–	–	–	–
23	22	21	20	19	18	17	16
–	–	–	AUTO	–	–	–	SPAREEN
15	14	13	12	11	10	9	8
–	–	–	NANDWR	–	–	PAGESIZE	
7	6	5	4	3	2	1	0
–	–	–	SECTORSZ	–	BCH_ERR		

BCH_ERR: Error Correcting Capability

Value	Name	Description
0	BCH_ERR2	2 errors
1	BCH_ERR4	4 errors
2	BCH_ERR8	8 errors
3	BCH_ERR12	12 errors
4	BCH_ERR24	24 errors

SECTORSZ: Sector Size

0: The ECC computation is based on a sector of 512 bytes.

1: The ECC computation is based on a sector of 1024 bytes.

PAGESIZE: Number of Sectors in the Page

Value	Name	Description
0	PAGESIZE_1SEC	1 sector for main area (512 or 1024 bytes)
1	PAGESIZE_2SEC	2 sectors for main area (1024 or 2048 bytes)
2	PAGESIZE_4SEC	4 sectors for main area (2048 or 4096 bytes)
3	PAGESIZE_8SEC	8 sectors for main area (4096 or 8192 bytes)

NANDWR: NAND Write Access

0: NAND read access

1: NAND write access

SPAREEN: Spare Enable

- for NAND write access:

0: The spare area is skipped

1: The spare area is protected with the last sector of data.

- for NAND read access:

0: The spare area is skipped.

1: The spare area contains protected data or only redundancy information.

AUTO: Automatic Mode Enable

This bit is only relevant in NAND Read Mode, when spare enable is activated.

0: Indicates that the spare area is not protected. In that case, the ECC computation takes into account the ECC area located in the spare area. (within the start address and the end address).

1: Indicates that the spare area is error protected. In this case, the ECC computation takes into account the whole spare area minus the ECC area in the ECC computation operation.

SAMA5D3 SERIES

30.20.10 PMECC Spare Area Size Register

Name: HSMC_PMECCSAREA

Address: 0xFFFFC074

Access: Read/Write

31	30	29	28	27	26	25	24
–	–	–	–	–	–	–	–
23	22	21	20	19	18	17	16
–	–	–	–	–	–	–	–
15	14	13	12	11	10	9	8
–	–	–	–	–	–	–	SPARESIZE
7	6	5	4	3	2	1	0
SPARESIZE							

SPARESIZE: Spare Area Size

Number of bytes in the spare area. The spare area size is equal to (SPARESIZE + 1) bytes.

30.20.11 PMECC Start Address Register

Name: HSMC_PMECCSADDR

Address: 0xFFFFC078

Access: Read/Write

31	30	29	28	27	26	25	24
–	–	–	–	–	–	–	–
23	22	21	20	19	18	17	16
–	–	–	–	–	–	–	–
15	14	13	12	11	10	9	8
–	–	–	–	–	–	–	STARTADDR
7	6	5	4	3	2	1	0
STARTADDR							

STARTADDR: ECC Area Start Address

This register is programmed with the start ECC start address. When STARTADDR is equal to 0, then the first ECC byte is located at the first byte of the spare area.

SAMA5D3 SERIES

30.20.12 PMECC End Address Register

Name: HSMC_PMECCADDR

Address: 0xFFFFC07C

Access: Read/Write

31	30	29	28	27	26	25	24
–	–	–	–	–	–	–	–
23	22	21	20	19	18	17	16
–	–	–	–	–	–	–	–
15	14	13	12	11	10	9	8
–	–	–	–	–	–	–	ENDADDR
7	6	5	4	3	2	1	0
ENDADDR							

ENDADDR: ECC Area End Address

This register is programmed with the start ECC end address. When ENDADDR is equal to N , then the first ECC byte is located at byte N of the spare area.

30.20.13 PMECC Control Register

Name: HSMC_PMECTRL

Address: 0xFFFFC084

Access: Write-only

31	30	29	28	27	26	25	24
–	–	–	–	–	–	–	–
23	22	21	20	19	18	17	16
–	–	–	–	–	–	–	–
15	14	13	12	11	10	9	8
–	–	–	–	–	–	–	–
7	6	5	4	3	2	1	0
–	–	DISABLE	ENABLE	–	USER	DATA	RST

RST: Reset the PMECC Module

0: No effect

1: Reset the PMECC controller.

DATA: Start a Data Phase

0: No effect

1: The PMECC controller enters a Data phase.

USER: Start a User Mode Phase

0: No effect

1: The PMECC controller enters a User mode phase.

ENABLE: PMECC Enable

0: No effect

1: Enable the PMECC controller.

DISABLE: PMECC Enable

0: No effect

1: Disable the PMECC controller.

SAMA5D3 SERIES

30.20.14 PMECC Status Register

Name: HSMC_PMECCSR

Address: 0xFFFFC088

Access: Read-only

31	30	29	28	27	26	25	24
–	–	–	–	–	–	–	–
23	22	21	20	19	18	17	16
–	–	–	–	–	–	–	–
15	14	13	12	11	10	9	8
–	–	–	–	–	–	–	–
7	6	5	4	3	2	1	0
–	–	–	ENABLE	–	–	–	BUSY

BUSY: The kernel of the PMECC is busy

0: PMECC controller finite state machine reached idle state

1: PMECC controller finite state machine is processing the incoming byte stream

ENABLE: PMECC Enable bit

0: PMECC controller disabled

1: PMECC controller enabled

30.20.15 PMECC Interrupt Enable Register

Name: HSMC_PMECCIER

Address: 0xFFFFC08C

Access: Write-only

31	30	29	28	27	26	25	24
–	–	–	–	–	–	–	–
23	22	21	20	19	18	17	16
–	–	–	–	–	–	–	–
15	14	13	12	11	10	9	8
–	–	–	–	–	–	–	–
7	6	5	4	3	2	1	0
–	–	–	–	–	–	–	ERRIE

ERRIE: Error Interrupt Enable

0: No effect

1: The Multibit Error interrupt is enabled. An interrupt will be raised if at least one error is detected in at least one sector.

SAMA5D3 SERIES

30.20.16 PMECC Interrupt Disable Register

Name: HSMC_PMECCIDR

Address: 0xFFFFC090

Access: Write-only

31	30	29	28	27	26	25	24
–	–	–	–	–	–	–	–
23	22	21	20	19	18	17	16
–	–	–	–	–	–	–	–
15	14	13	12	11	10	9	8
–	–	–	–	–	–	–	–
7	6	5	4	3	2	1	0
–	–	–	–	–	–	–	ERRID

ERRID: Error Interrupt Disable

0: No effect

1: Multibit Error interrupt disabled

30.20.17 PMECC Interrupt Mask Register

Name: HSMC_PMECCIMR

Address: 0xFFFFC094

Access: Read-only

31	30	29	28	27	26	25	24
–	–	–	–	–	–	–	–
23	22	21	20	19	18	17	16
–	–	–	–	–	–	–	–
15	14	13	12	11	10	9	8
–	–	–	–	–	–	–	–
7	6	5	4	3	2	1	0
–	–	–	–	–	–	–	ERRIM

ERRIM: Error Interrupt Mask

0: Multibit Error disabled

1: Multibit Error enabled

SAMA5D3 SERIES

30.20.18 PMECC Interrupt Status Register

Name: HSMC_PMECCISR

Address: 0xFFFFC098

Access: Read-only

31	30	29	28	27	26	25	24
–	–	–	–	–	–	–	–
23	22	21	20	19	18	17	16
–	–	–	–	–	–	–	–
15	14	13	12	11	10	9	8
–	–	–	–	–	–	–	–
7	6	5	4	3	2	1	0
ERRIS							

ERRIS: Error Interrupt Status Register

When set to one, bit *i* of the HSMC_PMECCISR indicates that sector *i* is corrupted.

30.20.19 PMECC Redundancy x Register

Name: HSMC_PMECCx [x=0..10] [sec_num=0..7]

Address: 0xFFFFC0B0 [0][0] .. 0xFFFFC0D8 [10][0]

0xFFFFC0F0 [0][1] .. 0xFFFFC118 [10][1]

0xFFFFC130 [0][2] .. 0xFFFFC158 [10][2]

0xFFFFC170 [0][3] .. 0xFFFFC198 [10][3]

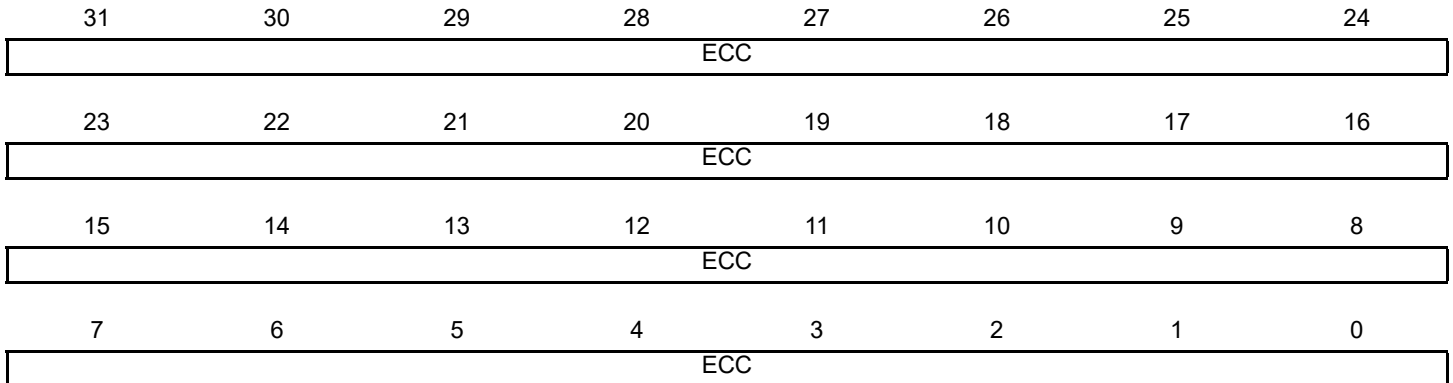
0xFFFFC1B0 [0][4] .. 0xFFFFC1D8 [10][4]

0xFFFFC1F0 [0][5] .. 0xFFFFC218 [10][5]

0xFFFFC230 [0][6] .. 0xFFFFC258 [10][6]

0xFFFFC270 [0][7] .. 0xFFFFC298 [10][7]

Access: Read-only



ECC: BCH Redundancy

This register contains the remainder of the division of the codeword by the generator polynomial.

SAMA5D3 SERIES

30.20.20 PMECC Remainder x Register

Name: HSMC_REMx [x=0..11] [sec_num=0..7]

Address: 0xFFFFC2B0 [0][0] .. 0xFFFFC2DC [11][0]

0xFFFFC2F0 [0][1] .. 0xFFFFC31C [11][1]

0xFFFFC330 [0][2] .. 0xFFFFC35C [11][2]

0xFFFFC370 [0][3] .. 0xFFFFC39C [11][3]

0xFFFFC3B0 [0][4] .. 0xFFFFC3DC [11][4]

0xFFFFC3F0 [0][5] .. 0xFFFFC41C [11][5]

0xFFFFC430 [0][6] .. 0xFFFFC45C [11][6]

0xFFFFC470 [0][7] .. 0xFFFFC49C [11][7]

Access: Read-only

31	30	29	28	27	26	25	24
–	–	REM2NP3					
23	22	21	20	19	18	17	16
REM2NP3							
15	14	13	12	11	10	9	8
–	–	REM2NP1					
7	6	5	4	3	2	1	0
REM2NP1							

REM2NP1: BCH Remainder $2 * N + 1$

When sector size is set to 512 bytes, bit REM2NP1[13] is not used and read as zero.

If bit i of the REM2NP1 field is set to one, then the coefficient of the X^i is set to one; otherwise, the coefficient is zero.

REM2NP3: BCH Remainder $2 * N + 3$

When sector size is set to 512 bytes, bit REM2NP3[29] is not used and read as zero.

If bit i of the REM2NP3 field is set to one, then the coefficient of the X^i is set to one; otherwise, the coefficient is zero.

30.20.21 PMECC Error Location Configuration Register

Name: HSMC_ELCFG

Address: 0xFFFFC500

Access: Read/Write

31	30	29	28	27	26	25	24
–	–	–	–	–	–	–	–
23	22	21	20	19	18	17	16
–	–	–	ERRNUM				
15	14	13	12	11	10	9	8
–	–	–	–	–	–	–	–
7	6	5	4	3	2	1	0
–	–	–	–	–	–	–	SECTORSZ

ERRNUM: Number of Errors

SECTORSZ: Sector Size

0: The ECC computation is based on a 512 bytes sector.

1: The ECC computation is based on a 1024 bytes sector.

SAMA5D3 SERIES

30.20.22 PMECC Error Location Primitive Register

Name: HSMC_ELPRIM

Address: 0xFFFFC504

Access: Read-only

31	30	29	28	27	26	25	24
–	–	–	–	–	–	–	–
23	22	21	20	19	18	17	16
–	–	–	–	–	–	–	–
15	14	13	12	11	10	9	8
PRIMITIV							
7	6	5	4	3	2	1	0
PRIMITIV							

PRIMITIV: Primitive Polynomial

This field indicates the Primitive Polynomial used in the ECC computation.

30.20.23 PMECC Error Location Enable Register

Name: HSMC_ELEN

Address: 0xFFFFC508

Access: Write-only

31	30	29	28	27	26	25	24
–	–	–	–	–	–	–	–
23	22	21	20	19	18	17	16
–	–	–	–	–	–	–	–
15	14	13	12	11	10	9	8
–	–	ENINIT					
7	6	5	4	3	2	1	0
ENINIT							

ENINIT: Error Location Enable

Initial bit number in the codeword.

SAMA5D3 SERIES

30.20.24 PMECC Error Location Disable Register

Name: HSMC_ELDIS

Address: 0xFFFFC50C

Access: Write-only

31	30	29	28	27	26	25	24
–	–	–	–	–	–	–	–
23	22	21	20	19	18	17	16
–	–	–	–	–	–	–	–
15	14	13	12	11	10	9	8
–	–	–	–	–	–	–	–
7	6	5	4	3	2	1	0
–	–	–	–	–	–	–	DIS

DIS: Disable Error Location Engine

0: No effect

1: Disable the Error location engine.

30.20.25 PMECC Error Location Status Register

Name: HSMC_ELSR

Address: 0xFFFFC510

Access: Read-only

31	30	29	28	27	26	25	24
–	–	–	–	–	–	–	–
23	22	21	20	19	18	17	16
–	–	–	–	–	–	–	–
15	14	13	12	11	10	9	8
–	–	–	–	–	–	–	–
7	6	5	4	3	2	1	0
–	–	–	–	–	–	–	BUSY

BUSY: Error Location Engine Busy

0: Error location engine is disabled.

1: Error location engine is enabled and is finding roots of the polynomial.

SAMA5D3 SERIES

30.20.26 PMECC Error Location Interrupt Enable Register

Name: HSMC_ELIER

Address: 0xFFFFC514

Access: Write-only

31	30	29	28	27	26	25	24
–	–	–	–	–	–	–	–
23	22	21	20	19	18	17	16
–	–	–	–	–	–	–	–
15	14	13	12	11	10	9	8
–	–	–	–	–	–	–	–
7	6	5	4	3	2	1	0
–	–	–	–	–	–	–	DONE

DONE: Computation Terminated Interrupt Enable

0: No effect

1: Interrupt Enable.

30.20.27 PMECC Error Location Interrupt Disable Register

Name: HSMC_ELIDR

Address: 0xFFFFC518

Access: Write-only

31	30	29	28	27	26	25	24
–	–	–	–	–	–	–	–
23	22	21	20	19	18	17	16
–	–	–	–	–	–	–	–
15	14	13	12	11	10	9	8
–	–	–	–	–	–	–	–
7	6	5	4	3	2	1	0
–	–	–	–	–	–	–	DONE

DONE: Computation Terminated Interrupt Disable

0: No effect

1: Interrupt disable.

SAMA5D3 SERIES

30.20.28 PMECC Error Location Interrupt Mask Register

Name: HSMC_ELIMR

Address: 0xFFFFC51C

Access: Read-only

31	30	29	28	27	26	25	24
–	–	–	–	–	–	–	–
23	22	21	20	19	18	17	16
–	–	–	–	–	–	–	–
15	14	13	12	11	10	9	8
–	–	–	–	–	–	–	–
7	6	5	4	3	2	1	0
–	–	–	–	–	–	–	DONE

DONE: Computation Terminated Interrupt Mask

0: Computation Terminated interrupt disabled

1: Computation Terminated interrupt enabled

30.20.29 PMECC Error Location Interrupt Status Register

Name: HSMC_ELISR

Address: 0xFFFFC520

Access: Read-only

31	30	29	28	27	26	25	24	
–	–	–	–	–	–	–	–	
23	22	21	20	19	18	17	16	
–	–	–	–	–	–	–	–	
15	14	13	12	11	10	9	8	
–	–	–	ERR_CNT					–
7	6	5	4	3	2	1	0	
–	–	–	–	–	–	–	DONE	

DONE: Computation Terminated Interrupt Status

When set to one, this indicates that the error location engine has completed the root finding algorithm.

ERR_CNT: Error Counter value

This field indicates the number of roots of the polynomial.

SAMA5D3 SERIES

30.20.30 PMECC Error Location SIGMA0 Register

Name: HSMC_SIGMA0

Address: 0xFFFFC52C [1] .. 0xFFFFC588 [24], 0xFFFFC528 [0] .. 0xFFFFC588 [24]

Access: Read-only

31	30	29	28	27	26	25	24
–	–	–	–	–	–	–	–
23	22	21	20	19	18	17	16
–	–	–	–	–	–	–	–
15	14	13	12	11	10	9	8
–	–	SIGMA0					
7	6	5	4	3	2	1	0
SIGMA0							

SIGMA0: Coefficient of degree 0 in the SIGMA polynomial

SIGMA0 belongs to the finite field $GF(2^{13})$ when the sector size is set to 512 bytes.

SIGMA0 belongs to the finite field $GF(2^{14})$ when the sector size is set to 1024 bytes.

30.20.31 PMECC Error Location SIGMAx Register

Name: HSMC_SIGMAx [x=1..24]

Address: 0xFFFFFC52C [1] .. 0xFFFFFC588 [24], 0xFFFFFC528 [0] .. 0xFFFFFC588 [24]

Access: Read/Write

31	30	29	28	27	26	25	24
–	–	–	–	–	–	–	–
23	22	21	20	19	18	17	16
–	–	–	–	–	–	–	–
15	14	13	12	11	10	9	8
–	–	SIGMAx					
7	6	5	4	3	2	1	0
SIGMAx							

SIGMAx: Coefficient of degree x in the SIGMA polynomial

SIGMAx belongs to the finite field $GF(2^{13})$ when the sector size is set to 512 bytes.

SIGMAx belongs to the finite field $GF(2^{14})$ when the sector size is set to 1024 bytes.

SAMA5D3 SERIES

30.20.32 PMECC Error Location x Register

Name: HSMC_ERRLOCx [x=0..23]

Address: 0xFFFFC58C

Access: Read-only

31	30	29	28	27	26	25	24
–	–	–	–	–	–	–	–
23	22	21	20	19	18	17	16
–	–	–	–	–	–	–	–
15	14	13	12	11	10	9	8
–	–	ERRLOCN					
7	6	5	4	3	2	1	0
ERRLOCN							

ERRLOCN: Error Position within the Set {sector area, spare area}

ERRLOCN points to 1 when the first bit of the main area is corrupted.

If the sector size is set to 512 bytes, the ERRLOCN points to 4096 when the last bit of the sector area is corrupted.

If the sector size is set to 1024 bytes, the ERRLOCN points to 8192 when the last bit of the sector area is corrupted.

If the sector size is set to 512 bytes, the ERRLOCN points to 4097 when the first bit of the spare area is corrupted.

If the sector size is set to 1024 bytes, the ERRLOCN points to 8193 when the first bit of the spare area is corrupted.

30.20.33 Setup Register

Name:HSMC_SETUPx [x=0..3]

Address:0xFFFFC600 [0], 0xFFFFC614 [1], 0xFFFFC628 [2], 0xFFFFC63C [3]

Access:Write-only

31	30	29	28	27	26	25	24
-	-	NCS_RD_SETUP					
23	22	21	20	19	18	17	16
-	-	NRD_SETUP					
15	14	13	12	11	10	9	8
-	-	NCS_WR_SETUP					
7	6	5	4	3	2	1	0
-	-	NWE_SETUP					

This register can only be written if the WPEN bit is cleared in the [Write Protection Mode Register](#).

NWE_SETUP: NWE Setup Length

The NWE signal setup length is defined as:

NWE setup length = (128 * NWE_SETUP[5] + NWE_SETUP[4:0]) clock cycles.

NCS_WR_SETUP: NCS Setup Length in Write Access

In write access, the NCS signal setup length is defined as:

NCS setup length = (128 * NCS_WR_SETUP[5] + NCS_WR_SETUP[4:0]) clock cycles.

NRD_SETUP: NRD Setup Length

The NRD signal setup length is defined as:

NRD setup length = (128 * NRD_SETUP[5] + NRD_SETUP[4:0]) clock cycles.

NCS_RD_SETUP: NCS Setup Length in Read Access

In Read access, the NCS signal setup length is defined as:

NCS setup length = (128 * NCS_RD_SETUP[5] + NCS_RD_SETUP[4:0]) clock cycles.

SAMA5D3 SERIES

30.20.34 Pulse Register

Name:HSMC_PULSEx [x=0..3]

Address:0xFFFFFC604 [0], 0xFFFFFC618 [1], 0xFFFFFC62C [2], 0xFFFFFC640 [3]

Access:Write-only

31	30	29	28	27	26	25	24
–	NCS_RD_PULSE						
23	22	21	20	19	18	17	16
–	NRD_PULSE						
15	14	13	12	11	10	9	8
–	NCS_WR_PULSE						
7	6	5	4	3	2	1	0
–	NWE_PULSE						

This register can only be written if the WPEN bit is cleared in the [Write Protection Mode Register](#).

NWE_PULSE: NWE Pulse Length

The NWE signal pulse length is defined as:

$NWE\ pulse\ length = (256 * NWE_PULSE[6] + NWE_PULSE[5:0])\ clock\ cycles.$

The NWE pulse must be at least one clock cycle.

NCS_WR_PULSE: NCS Pulse Length in WRITE Access

In Write access, The NCS signal pulse length is defined as:

$NCS\ pulse\ length = (256 * NCS_WR_PULSE[6] + NCS_WR_PULSE[5:0])\ clock\ cycles.$

The NCS pulse must be at least one clock cycle.

NRD_PULSE: NRD Pulse Length

The NRD signal pulse length is defined as:

$NRD\ pulse\ length = (256 * NRD_PULSE[6] + NRD_PULSE[5:0])\ clock\ cycles.$

The NRD pulse width must be as least 1 clock cycle.

NCS_RD_PULSE: NCS Pulse Length in READ Access

In READ mode, The NCS signal pulse length is defined as:

$NCS\ pulse\ length = (256 * NCS_RD_PULSE[6] + NCS_RD_PULSE[5:0])\ clock\ cycles.$

30.20.35 Cycle Register

Name:HSMC_CYCLEx [x=0..3]

Address:0xFFFFC608 [0], 0xFFFFC61C [1], 0xFFFFC630 [2], 0xFFFFC644 [3]

Access:Read/Write

31	30	29	28	27	26	25	24
–	–	–	–	–	–	–	NRD_CYCLE
23	22	21	20	19	18	17	16
NRD_CYCLE							
15	14	13	12	11	10	9	8
–	–	–	–	–	–	–	NWE_CYCLE
7	6	5	4	3	2	1	0
NWE_CYCLE							

This register can only be written if the WPEN bit is cleared in the [Write Protection Mode Register](#).

NWE_CYCLE: Total Write Cycle Length

The total write cycle length is the total duration in clock cycles of the write cycle. It is equal to the sum of the setup, pulse and hold steps of the NWE and NCS signals. It is defined as:

Write cycle length = (NWE_CYCLE[8:7] * 256) + NWE_CYCLE[6:0] clock cycles.

NRD_CYCLE: Total Read Cycle Length

The total read cycle length is the total duration in clock cycles of the read cycle. It is equal to the sum of the setup, pulse and hold steps of the NRD and NCS signals. It is defined as:

Read cycle length = (NRD_CYCLE[8:7] * 256) + NRD_CYCLE[6:0] clock cycles.

SAMA5D3 SERIES

30.20.36 Timings Register

Name: HSMC_TIMINGSx [x=0..3]

Address: 0xFFFFFC60C [0], 0xFFFFFC620 [1], 0xFFFFFC634 [2], 0xFFFFFC648 [3]

Access: Read/Write

31	30	29	28	27	26	25	24
NFSEL	RBNSSEL			TWB			
23	22	21	20	19	18	17	16
–	–	–	–	TRR			
15	14	13	12	11	10	9	8
–	–	–	OCMS	TAR			
7	6	5	4	3	2	1	0
TADL				TCLR			

This register can only be written if the WPEN bit is cleared in the [Write Protection Mode Register](#).

TCLR: CLE to REN Low Delay

Command Latch Enable falling edge to Read Enable falling edge timing.

Latch Enable Falling to Read Enable Falling = (TCLR[3] * 64) + TCLR[2:0] clock cycles.

TADL: ALE to Data Start

Last address latch cycle to the first rising edge of WEN for data input.

Last address latch to first rising edge of WEN = (TADL[3] * 64) + TADL[2:0] clock cycles.

TAR: ALE to REN Low Delay

Address Latch Enable falling edge to Read Enable falling edge timing.

Address Latch Enable to Read Enable = (TAR[3] * 64) + TAR[2:0] clock cycles.

OCMS: Off Chip Memory Scrambling Enable

When set to one, the memory scrambling is activated. (Value must be zero if external memory is NAND Flash and NFC is used).

TRR: Ready to REN Low Delay

Ready/Busy signal to Read Enable falling edge timing.

Read to REN = (TRR[3] * 64) + TRR[2:0] clock cycles.

TWB: WEN High to REN to Busy

Write Enable rising edge to Ready/Busy falling edge timing.

Write Enable to Read/Busy = (TWB[3] * 64) + TWB[2:0] clock cycles.

RBNSSEL: Ready/Busy Line Selection

This field indicates the selected Ready/Busy Line from the RBN bundle.

NFSEL: NAND Flash Selection

If this bit is set to one, the chip select is assigned to NAND Flash write enable and read enable lines drive the Error Correcting Code module.

30.20.37 Mode Register

Name: HSMC_MODE_x [x=0..3]

Address: 0xFFFFFC610 [0], 0xFFFFFC624 [1], 0xFFFFFC638 [2], 0xFFFFFC64C [3]

Access: Read/Write

31	30	29	28	27	26	25	24
–	–	–	–	–	–	–	–
23	22	21	20	19	18	17	16
–	–	–	TDF_MODE	TDF_CYCLES			
15	14	13	12	11	10	9	8
–	–	–	DBW	–	–	–	BAT
7	6	5	4	3	2	1	0
–	–	EXNW_MODE		–	–	WRITE_MODE	READ_MODE

This register can only be written if the WPEN bit is cleared in the [Write Protection Mode Register](#).

READ_MODE: Selection of the Control Signal for Read Operation

Value	Name	Description
0	NCS_CTRL	The Read operation is controlled by the NCS signal.
1	NRD_CTRL	The Read operation is controlled by the NRD signal.

WRITE_MODE: Selection of the Control Signal for Write Operation

Value	Name	Description
0	NCS_CTRL	The Write operation is controller by the NCS signal.
1	NWE_CTRL	The Write operation is controlled by the NWE signal

EXNW_MODE: NWAIT Mode

The NWAIT signal is used to extend the current read or write signal. It is only taken into account during the pulse phase Read and Write controlling signal. When the use of NWAIT is enabled, at least one cycle hold duration must be programmed for the read and write controlling signal.

Value	Name	Description
0	DISABLED	Disabled—The NWAIT input signal is ignored on the corresponding Chip Select.
1	—	Reserved
2	FROZEN	Frozen Mode—If asserted, the NWAIT signal freezes the current read or write cycle. After deassertion, the read/write cycle is resumed from the point where it was stopped.
3	READY	Ready Mode—The NWAIT signal indicates the availability of the external device at the end of the pulse of the controlling read or write signal, to complete the access. If high, the access normally completes. If low, the access is extended until NWAIT returns high.

SAMA5D3 SERIES

BAT: Byte Access Type

This field is used only if DBW defines a 16-bit data bus.

Value	Name	Description
0	BYTE_SELECT	Byte select access type: - Write operation is controlled using NCS, NWE, NBS0, NBS1. - Read operation is controlled using NCS, NRD, NBS0, NBS1.
1	BYTE_WRITE	Byte write access type: - Write operation is controlled using NCS, NWR0, NWR1. - Read operation is controlled using NCS and NRD.

DBW: Data Bus Width

Value	Name	Description
0	BIT_8	8-bit bus
1	BIT_16	16-bit bus

TDF_CYCLES: Data Float Time

This field gives the integer number of clock cycles required by the external device to release the data after the rising edge of the read controlling signal. The SMC always provide one full cycle of bus turnaround after the TDF_CYCLES period. The external bus cannot be used by another chip select during TDF_CYCLES + 1 cycles. From 0 up to 15 TDF_CYCLES can be set.

TDF_MODE: TDF Optimization

1: TDF optimization enabled

- The number of TDF wait states is optimized using the setup period of the next read/write access.

0: TDF optimization disabled

- The number of TDF wait states is inserted before the next access begins.

30.20.38 Off Chip Memory Scrambling Register

Name:HSMC_OCMS

Address:0xFFFC6A0

Access:Read/Write

31	30	29	28	27	26	25	24
–	–	–	–	–	–	–	–
23	22	21	20	19	18	17	16
–	–	–	–	–	–	–	–
15	14	13	12	11	10	9	8
–	–	–	–	–	–	–	–
7	6	5	4	3	2	1	0
–	–	–	–	–	–	SRSE	SMSE

SMSE: Static Memory Controller Scrambling Enable

0: Disable “Off Chip” Scrambling for SMC access.

1: Enable “Off Chip” Scrambling for SMC access. (If OCMS bit is set in the corresponding HSMC_TIMINGSx register.)

SRSE: NFC Internal SRAM Scrambling Enable

0: Disable Scrambling for NFC internal SRAM access.

1: Enable Scrambling for NFC internal SRAM access. (OCMS bit must be cleared in the corresponding HSMC_TIMINGSx register.)

SAMA5D3 SERIES

30.20.39 Off Chip Memory Scrambling Key1 Register

Name:HSMC_KEY1

Address:0xFFFC6A4

Access:Write-once

31	30	29	28	27	26	25	24
KEY1							
23	22	21	20	19	18	17	16
KEY1							
15	14	13	12	11	10	9	8
KEY1							
7	6	5	4	3	2	1	0
KEY1							

KEY1: Off Chip Memory Scrambling (OCMS) Key Part 1

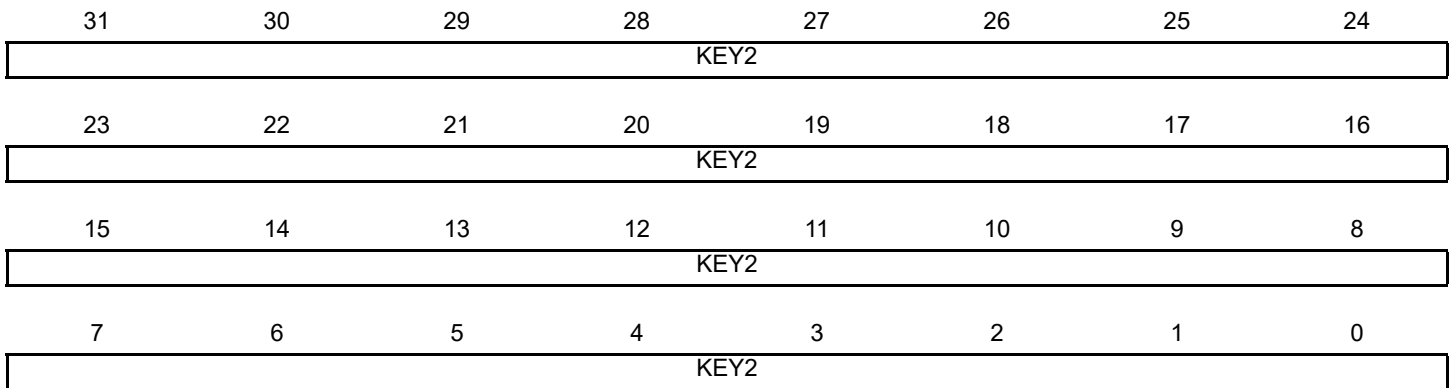
When Off Chip Memory Scrambling is enabled by setting the HSMC_OCMS and HSMC_TIMINGS registers in accordance, the data scrambling depends on KEY1 and KEY2 values.

30.20.40 Off Chip Memory Scrambling Key2 Register

Name:HSMC_KEY2

Address:0xFFFC6A8

Access:Write-once



KEY2: Off Chip Memory Scrambling (OCMS) Key Part 2

When Off Chip Memory Scrambling is enabled by setting the HSMC_OCMS and HSMC_TIMINGS registers in accordance, the data scrambling depends on KEY2 and KEY1 values.

SAMA5D3 SERIES

30.20.41 Write Protection Mode Register

Name:HSMC_WPMR

Address:0xFFFFC6E4

Access: Read/Write

31	30	29	28	27	26	25	24
WPKEY							
23	22	21	20	19	18	17	16
WPKEY							
15	14	13	12	11	10	9	8
WPKEY							
7	6	5	4	3	2	1	0
–	–	–	–	–	–	–	WPEN

WPEN: Write Protection Enable

0: Disables write protection if WPKEY value corresponds to 0x534D43 (“SMC” in ASCII)

1: Enables write protection if WPKEY value corresponds to 0x534D43 (“SMC” in ASCII)

See [Section 30.16 Register Write Protection](#) for list of write-protected registers.

WPKEY: Write Protection Key

Value	Name	Description
0x534D43	PASSWD	Writing any other value in this field aborts the write operation of bit WPEN. Always reads as 0.

30.20.42 Write Protection Status Register

Name:HSMC_WPSR

Address:0xFFFFC6E8

Access: Read-only

31	30	29	28	27	26	25	24
–	–	–	–	–	–	–	–
23	22	21	20	19	18	17	16
WPVSRC							
15	14	13	12	11	10	9	8
WPVSRC							
7	6	5	4	3	2	1	0
–	–	–	–	–	–	–	WPVS

WPVS: Write Protection Violation Status

0: No write protect violation has occurred since the last read of the HSMC_WPSR.

1: A write protect violation has occurred since the last read of the HSMC_WPSR. If this violation is an unauthorized attempt to write a protected register, the associated violation is reported into field WPVSRC.

WPVSRC: Write Protection Violation Source

When WPVS = 1, WPVSRC indicates the register address offset at which a write access has been attempted.

SAMA5D3 SERIES

31. DMA Controller (DMAC)

31.1 Description

The DMA Controller (DMAC) is an AHB-central DMA controller core that transfers data from a source peripheral to a destination peripheral over one or more AMBA buses. One channel is required for each source/destination pair. In the most basic configuration, the DMAC has one master interface and one channel. The master interface reads the data from a source and writes it to a destination. Two AMBA transfers are required for each DMAC data transfer. This is also known as a dual-access transfer.

The DMAC is programmed via the APB interface.

31.2 Embedded Characteristics

- 3 AHB-Lite Master Interfaces
- DMA Module Supports the Following Transfer Schemes: Peripheral-to-Memory, Memory-to-Peripheral, Peripheral-to-Peripheral and Memory-to-Memory
- Source and Destination Operate independently on BYTE (8-bit), HALF-WORD (16-bit) and WORD (32-bit)
- Supports Hardware and Software Initiated Transfers
- Supports Multiple Buffer Chaining Operations
- Supports Incrementing/decrementing/fixed Addressing Mode Independently for Source and Destination
- Supports Programmable Address Increment/decrement on User-defined Boundary Condition to Enable Picture-in-Picture Mode
- Programmable Arbitration Policy, Modified Round Robin and Fixed Priority are Available
- Supports Specified Length and Unspecified Length AMBA AHB Burst Access to Maximize Data Bandwidth
- AMBA APB Interface Used to Program the DMA Controller
- 8 DMA Channels on DMAC0
- 8 DMA Channels on DMAC1
- 16 External Request Lines on DMAC0
- 22 External Request Lines on DMAC1
- Embedded FIFO
- Channel Locking and Bus Locking Capability
- Register Write Protection

31.3 DMA Controller Peripheral Connections

The DMA Controller handles the transfer between peripherals and memory and receives triggers from the peripherals listed in the following tables.

For each listed DMA channel number, the SIF and/or DIF fields in the Channel x Control B Register (DMAC_CTRLBx) must be programmed with a value compatible with the MATRIX “Master to Slave Access” definition provided in the “Bus Matrix (MATRIX)” section of the product datasheet. See [Section 31.8.17 DMAC Channel x \[x = 0..7\] Control B Register](#) (where x is the DMA Channel Number).

Depending on transfer descriptor location, the DSCR_IF field must be programmed with a value compatible with the MATRIX “Master to Slave Access” definition provided in the “Bus Matrix (MATRIX)” section of the product datasheet. See [Section 31.8.15 DMAC Channel x \[x = 0..7\] Descriptor Address Register](#) (where x is the DMA Channel Number).

31.3.1 DMA Controller 0

The DMA Controller 0 handles the transfer between peripherals and memory and receives triggers from the peripherals connected on APB0 (see [Table 31-1](#)).

Table 31-1: DMA Channels Definition (DMAC0)

Instance name	Channel T/R	Interface number
HSMCI0	Receive/transmit	0
SPI0	Transmit	1
SPI0	Receive	2
USART0	Transmit	3
USART0	Receive	4
USART1	Transmit	5
USART1	Receive	6
TWI0	Transmit	7
TWI0	Receive	8
TWI1	Transmit	9
TWI1	Receive	10
UART0	Transmit	11
UART0	Receive	12
SSC0	Transmit	13
SSC0	Receive	14
SMD	Transmit	15
SMD	Receive	16

SAMA5D3 SERIES

31.3.2 DMA Controller 1

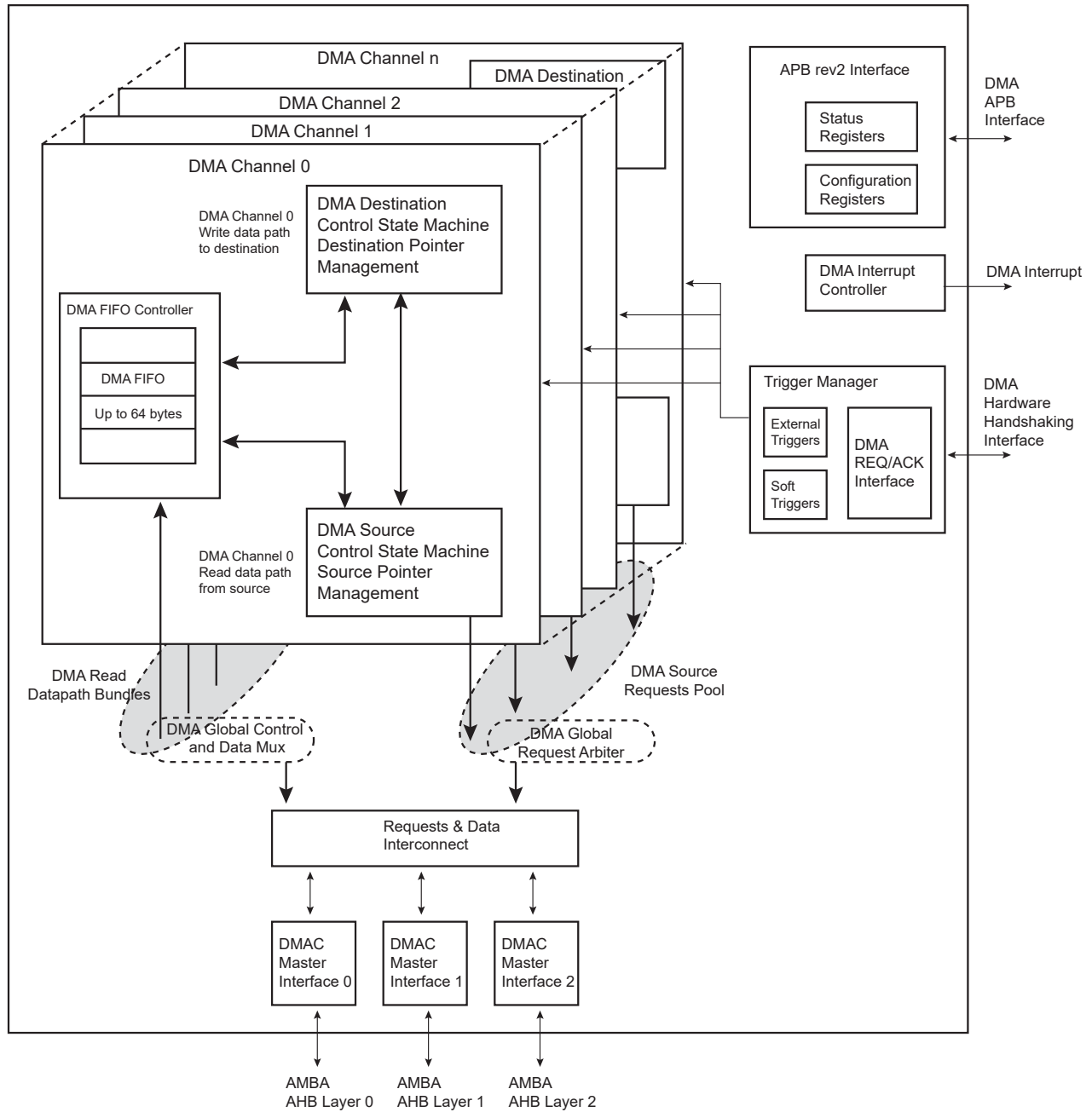
The DMA Controller 1 handles the transfer between peripherals and memory and receives triggers from the peripherals connected on APB1 (see [Table 31-2](#)).

Table 31-2: DMA Channels Definition (DMAC1)

Instance name	Channel T/R	Interface Number
HSMCI1	Receive/transmit	0
HSMCI2	Receive/transmit	1
ADC	Receive	2
SSC1	Transmit	3
SSC1	Receive	4
UART1	Transmit	5
UART1	Receive	6
USART2	Transmit	7
USART2	Receive	8
USART3	Transmit	9
USART3	Receive	10
TWI2	Transmit	11
TWI2	Receive	12
DBGU	Transmit	13
DBGU	Receive	14
SPI1	Transmit	15
SPI1	Receive	16
SHA	Transmit	17
AES	Transmit	18
AES	Receive	19
TDES	Transmit	20
TDES	Receive	21

31.4 Block Diagram

Figure 31-1: DMA Controller (DMAC) Block Diagram



SAMA5D3 SERIES

31.5 Product Dependencies

31.5.1 Interrupt Sources

The DMAC interrupt line is connected to one of the internal sources of the interrupt controller. Using the DMAC interrupt requires prior programming of the interrupt controller.

Table 31-3: Peripheral IDs

Instance	ID
DMAC0	30
DMAC1	31

31.6 Functional Description

31.6.1 Basic Definitions

Source peripheral: Device on an AMBA layer from where the DMAC reads data, which is then stored in the channel FIFO. The source peripheral teams up with a destination peripheral to form a channel.

Destination peripheral: Device to which the DMAC writes the stored data from the FIFO (previously read from the source peripheral).

Memory: Source or destination that is always “ready” for a DMAC transfer and does not require a handshaking interface to interact with the DMAC.

Programmable Arbitration Policy: Modified Round Robin and Fixed Priority are available by means of the ARB_CFG bit in the Global Configuration Register (DMAC_GCFG). The fixed priority is linked to the channel number. The highest DMAC channel number has the highest priority.

Channel: Read/write datapath between a source peripheral on one configured AMBA layer and a destination peripheral on the same or different AMBA layer that occurs through the channel FIFO. If the source peripheral is not memory, then a source handshaking interface is assigned to the channel. If the destination peripheral is not memory, then a destination handshaking interface is assigned to the channel. Source and destination handshaking interfaces can be assigned dynamically by programming the channel registers.

Master interface: DMAC is a master on the AHB bus reading data from the source and writing it to the destination over the AHB bus.

Slave interface: The APB interface over which the DMAC is programmed. The slave interface in practice could be on the same layer as any of the master interfaces or on a separate layer.

Handshaking interface: A set of signal registers that conform to a protocol and *handshake* between the DMAC and source or destination peripheral to control the transfer of a single or chunk transfer between them. This interface is used to request, acknowledge, and control a DMAC transaction. A channel can receive a request through one of two types of handshaking interface: hardware or software.

Hardware handshaking interface: Uses hardware signals to control the transfer of a single or chunk transfer between the DMAC and the source or destination peripheral.

Software handshaking interface: Uses software registers to control the transfer of a single or chunk transfer between the DMAC and the source or destination peripheral. No special DMAC handshaking signals are needed on the I/O of the peripheral. This mode is useful for interfacing an existing peripheral to the DMAC without modifying it.

Transfer hierarchy: [Figure 31-2](#) illustrates the hierarchy between DMAC transfers, buffer transfers, chunk or single, and AMBA transfers (single or burst) for non-memory peripherals. [Figure 31-3](#) shows the transfer hierarchy for memory.

Figure 31-2: DMAC Transfer Hierarchy for Non-Memory Peripheral

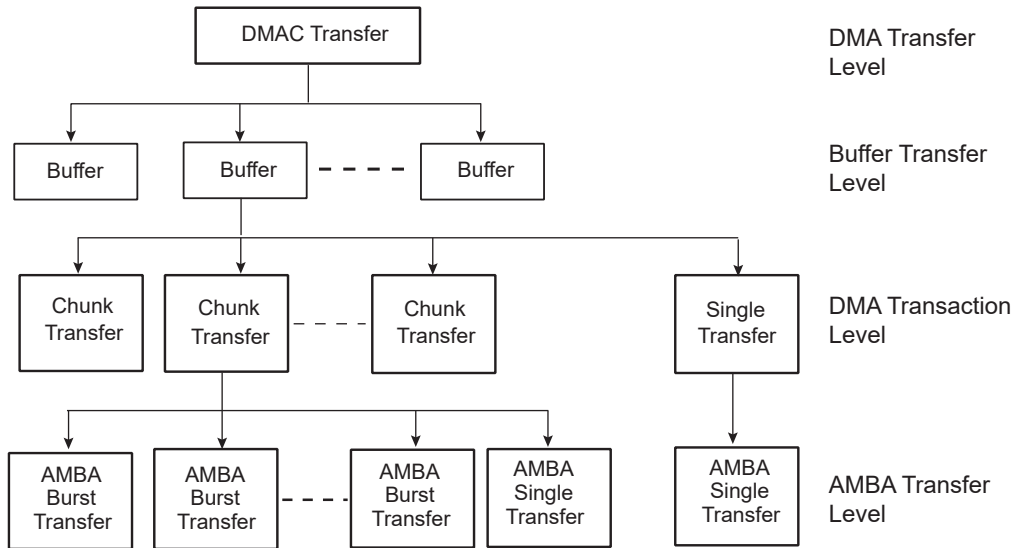
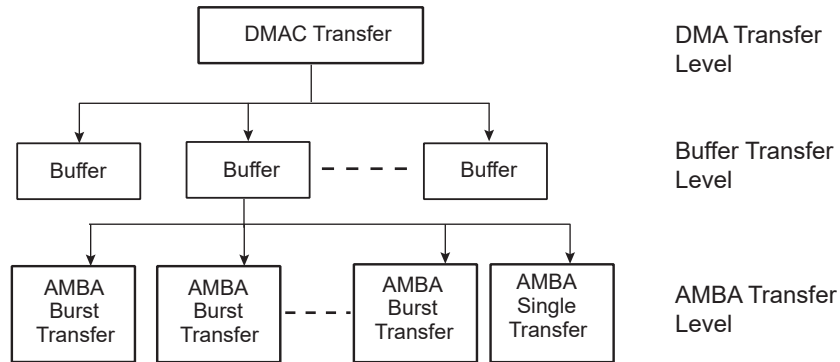


Figure 31-3: DMAC Transfer Hierarchy for Memory



Buffer: A buffer of DMAC data. The amount of data (length) is determined by the flow controller. For transfers between the DMAC and memory, a buffer is broken directly into a sequence of AMBA bursts and AMBA single transfers.

For transfers between the DMAC and a non-memory peripheral, a buffer is broken into a sequence of DMAC transactions (single and chunks). These are in turn broken into a sequence of AMBA transfers.

Transaction: A basic unit of a DMAC transfer as determined by either the hardware or software handshaking interface. A transaction is only relevant for transfers between the DMAC and a source or destination peripheral if the source or destination peripheral is a non-memory device. There are two types of transactions: single transfer and chunk transfer.

- **Single transfer:** The length of a single transaction is always 1 and is converted to a single AMBA access.
- **Chunk transfer:** The length of a chunk is programmed into the DMAC. The chunk is then converted into a sequence of AHB access. DMAC executes each AMBA burst transfer by performing incremental bursts that are no longer than 16 beats.

DMAC transfer: Software controls the number of buffers in a DMAC transfer. Once the DMAC transfer has completed, then hardware within the DMAC disables the channel and can generate an interrupt to signal the completion of the DMAC transfer. It is then possible to reprogram the channel for a new DMAC transfer.

Single-buffer DMAC transfer: Consists of a single buffer.

Multi-buffer DMAC transfer: A DMAC transfer may consist of multiple DMAC buffers. Multi-buffer DMAC transfers are supported through buffer chaining (linked list pointers), auto-reloading of channel registers, and contiguous buffers. The source and destination can independently select which method to use.

- **Linked lists (buffer chaining)** – A descriptor pointer (DSCR) points to the location in system memory where the next linked list item (LLI) exists. The LLI is a set of registers that describe the next buffer (buffer descriptor) and a descriptor pointer register. The DMAC fetches the LLI at the beginning of every buffer when buffer chaining is enabled.

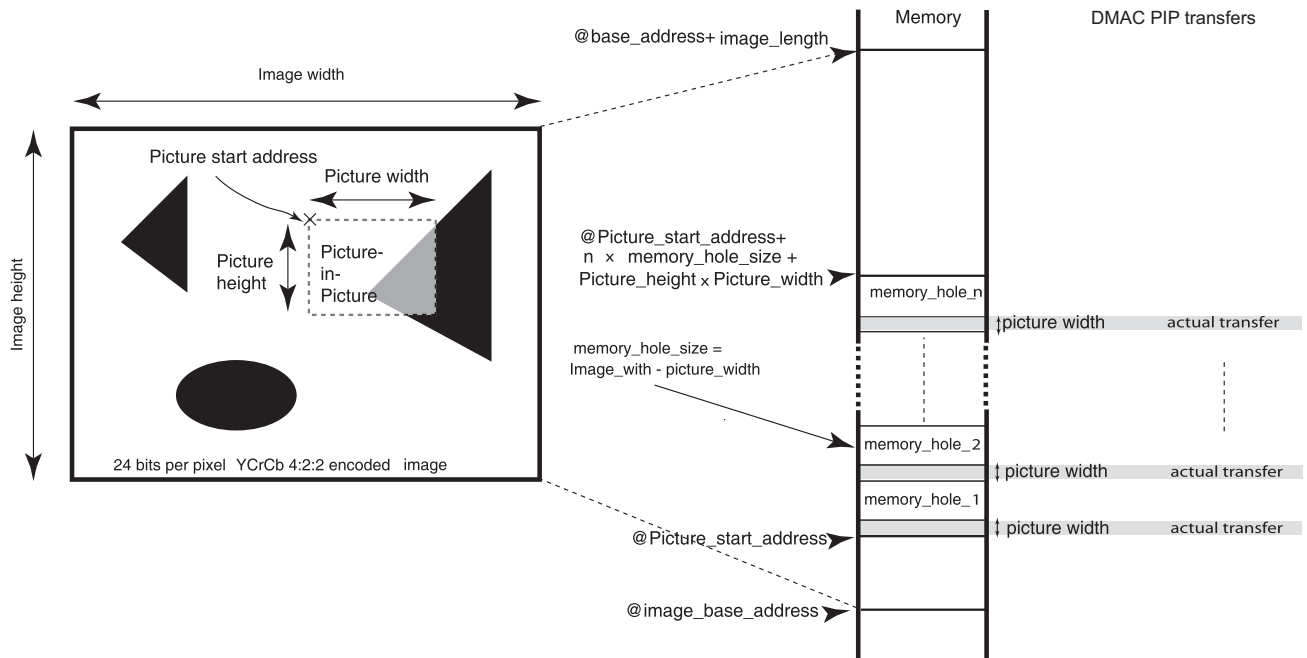
SAMA5D3 SERIES

- **Replay** – The DMAC automatically reloads the channel registers at the end of each buffers to the value when the channel was first enabled.
- **Contiguous buffers** – Where the address of the next buffer is selected to be a continuation from the end of the previous buffer.

Picture-in-Picture Mode: DMAC contains a Picture-in-Picture mode support. When this mode is enabled, addresses are automatically incremented by a programmable value when the DMAC channel transfer count reaches a user defined boundary.

Figure 31-4 illustrates a memory mapped image 4:2:2 encoded located at image_base_address in memory. A user defined start address is defined at Picture_start_address. The incremented value is set to memory_hole_size = image_width - picture_width, and the boundary is set to picture_width.

Figure 31-4: Picture-In-Picture Mode Support



Channel locking: Software can program a channel to keep the AHB master interface by locking the arbitration for the master bus interface for the duration of a DMAC transfer, buffer, or chunk.

Bus locking: Software can program a channel to maintain control of the AMBA bus by asserting hmastlock for the duration of a DMAC transfer, buffer, or transaction (single or chunk). Channel locking is asserted for the duration of bus locking at a minimum.

31.6.2 Memory Peripherals

Figure 31-3 on page 493 shows the DMAC transfer hierarchy of the DMAC for a memory peripheral. There is no handshaking interface with the DMAC, and therefore the memory peripheral can never be a flow controller. Once the channel is enabled, the transfer proceeds immediately without waiting for a transaction request. The alternative to not having a transaction-level handshaking interface is to allow the DMAC to attempt AMBA transfers to the peripheral once the channel is enabled. If the peripheral slave cannot accept these AMBA transfers, it inserts wait states onto the bus until it is ready; it is not recommended that more than 16 wait states be inserted onto the bus. By using the handshaking interface, the peripheral can signal to the DMAC that it is ready to transmit/receive data, and then the DMAC can access the peripheral without the peripheral inserting wait states onto the bus.

31.6.3 Handshaking Interface

Handshaking interfaces are used at the transaction level to control the flow of single or chunk transfers. The operation of the handshaking interface is different and depends on whether the peripheral or the DMAC is the flow controller.

The peripheral uses the handshaking interface to indicate to the DMAC that it is ready to transfer/accept data over the AMBA bus. A non-memory peripheral can request a DMAC transfer through the DMAC using one of two handshaking interfaces:

- Hardware handshaking
- Software handshaking

Software selects between the hardware or software handshaking interface on a per-channel basis. Software handshaking is accomplished through memory-mapped registers, while hardware handshaking is accomplished using a dedicated handshaking interface.

31.6.3.1 Software Handshaking

When the slave peripheral requires the DMAC to perform a DMAC transaction, it communicates this request by sending an interrupt to the CPU or interrupt controller.

The interrupt service routine then uses the software registers to initiate and control a DMAC transaction. These software registers are used to implement the software handshaking interface.

The SRC_H2SEL/DST_H2SEL bit in the Channel Configuration Register (DMAC_CFGx) must be cleared to enable software handshaking.

When the peripheral is not the flow controller, then the Software Last Transfer Flag Register (DMAC_LAST) is not used, and the values in these registers are ignored.

- Chunk Transactions

Writing a '1' to the Software Chunk Transfer Request Register (DMAC_CREQ[2x]) starts a source chunk transaction request, where x is the channel number. Writing a '1' to the DMAC_CREQ[2x+1] register starts a destination chunk transfer request, where x is the channel number.

Upon completion of the chunk transaction, the hardware clears the DMAC_CREQ[2x] or DMAC_CREQ[2x+1].

- Single Transactions

Writing a '1' to the Software Single Request Register (DMAC_SREQ[2x]) starts a source single transaction request, where x is the channel number. Writing a '1' to the DMAC_SREQ[2x+1] register starts a destination single transfer request, where x is the channel number.

Upon completion of the chunk transaction, the hardware clears the DMAC_SREQ[x] or DMAC_SREQ[2x+1].

The software can poll the relevant channel bit in the DMAC_CREQ[2x]/DMAC_CREQ[2x+1] and DMAC_SREQ[x]/DMAC_SREQ[2x+1] registers. When both are 0, then either the requested chunk or single transaction has completed.

31.6.4 DMAC Transfer Types

A DMAC transfer may consist of single or multi-buffer transfers. On successive buffers of a multi-buffer transfer, DMAC_SADDRx/DMAC_DADDRx in the DMAC are reprogrammed using either of the following methods:

- Buffer chaining using linked lists
- Replay mode
- Contiguous address between buffers

On successive buffers of a multi-buffer transfer, the DMAC_CTRLAx and DMAC_CTRLBx registers in the DMAC are reprogrammed using either of the following methods:

- Buffer chaining using linked lists
- Replay mode

When buffer chaining using linked lists is the multi-buffer method of choice, and on successive buffers, DMAC_DSCRx in the DMAC is reprogrammed using the following method:

- Buffer chaining using linked lists

A buffer descriptor (LLI) consists of the following registers: DMAC_SADDRx, DMAC_DADDRx, DMAC_DSCRx, DMAC_CTRLAx, and DMAC_CTRLBx. These registers, along with DMAC_CFGx, are used by the DMAC to set up and describe the buffer transfer.

31.6.4.1 Multi-buffer Transfers

- Buffer Chaining Using Linked Lists

In this case, the DMAC reprograms the channel registers prior to the start of each buffer by fetching the buffer descriptor for that buffer from system memory. This is known as an LLI update.

DMAC buffer chaining is supported by using a descriptor pointer register (DMAC_DSCRx) that stores the address in memory of the next buffer descriptor. Each buffer descriptor contains the corresponding buffer descriptor (DMAC_SADDRx, DMAC_DADDRx, DMAC_DSCRx, DMAC_CTRLAx, DMAC_CTRLBx).

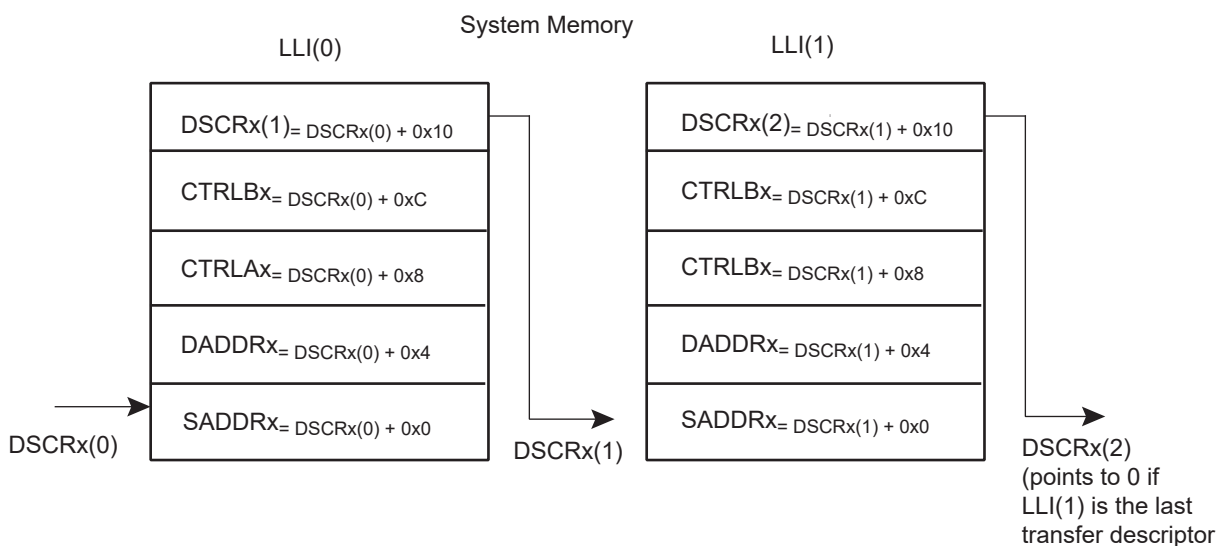
To set up buffer chaining, a sequence of linked lists must be programmed in memory.

DMAC_SADDRx, DMAC_DADDRx, DMAC_DSCRx, DMAC_CTRLAx and DMAC_CTRLBx are fetched from system memory on an LLI update. The updated content of DMAC_CTRLAx is written back to memory on buffer completion. [Figure 31-5 on page 496](#) shows how to use chained linked lists in memory to define multi-buffer transfers using buffer chaining.

The Linked List multi-buffer transfer is initiated by programming DMAC_DSCRx with DSCRx(0) (LLI(0) base address) different from zero. Other fields and registers are ignored and overwritten when the descriptor is retrieved from memory.

The last transfer descriptor must be written to memory with its next descriptor address set to 0.

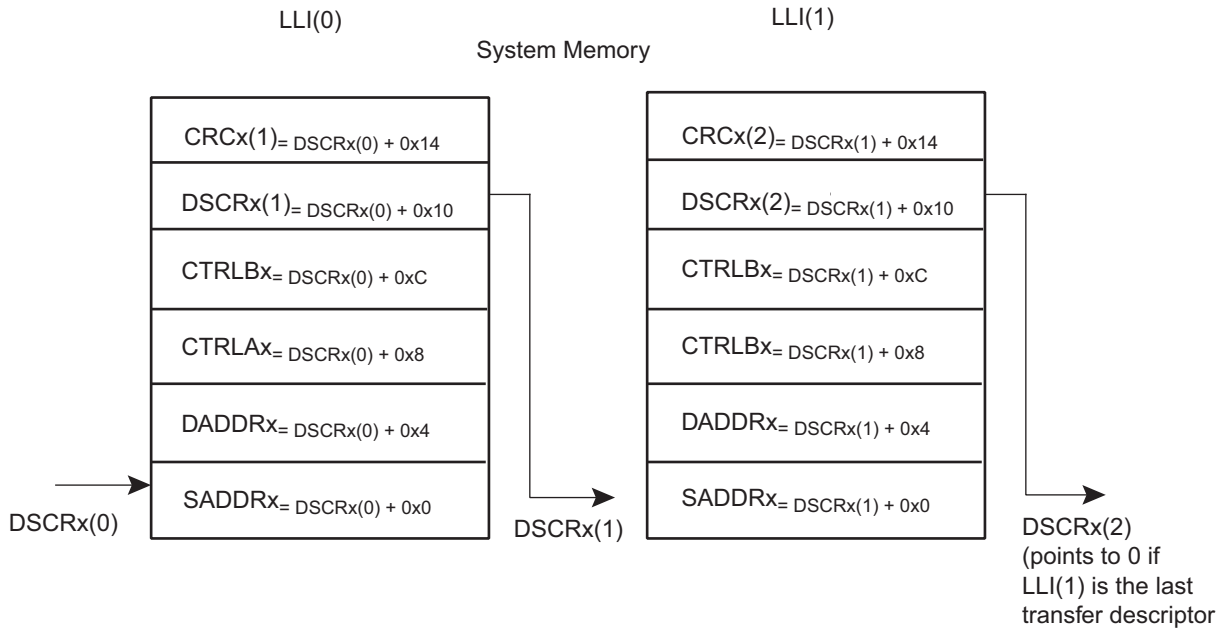
Figure 31-5: Multi-Buffer Transfer Using Linked List



- Descriptor Integrity Check

When the Descriptor Integrity Check is enabled, a cyclic redundancy check information is attached to the descriptor. When fetched from the memory, the descriptor is verified through the use of a CRC16-CCIT (0x1021 polynom) by the DMAC channel. If a CRC error is detected, then the DICERR flag is set in the DMAC Error, Buffer Transfer and Chained Buffer Transfer Status Register (DMAC_EBCISR). The CRC16 is computed from MSB to LSB. The BTSIZE field and DONE bit in DMAC_CTRLAx are ignored and cleared.

Figure 31-6: Linked List with CRC16 Attached



SAMA5D3 SERIES

31.6.4.2 Programming DMAC for Multiple Buffer Transfers

Table 31-4: Multiple Buffers Transfer Management Table

Transfer Type	AUTO	SRC_REP	DST_REP	SRC_DSCR	DST_DSCR	BTSIZE	DSCR	SADDR	DADDR	Other Fields
1 Single Buffer or Last Buffer of a multiple buffer transfer	0	–	–	–	–	USR ⁽¹⁾	0	USR ⁽¹⁾	USR ⁽¹⁾	USR ⁽¹⁾
2 Multi-buffer transfer with contiguous DADDR	0	–	0	0	1	LLI ⁽⁵⁾	USR ⁽¹⁾	LLI ⁽⁵⁾	CONT ⁽²⁾	LLI ⁽⁵⁾
3 Multi-buffer transfer with contiguous SADDR	0	0	–	1	0	LLI ⁽⁵⁾	USR ⁽¹⁾	CONT ⁽²⁾	LLI ⁽⁵⁾	LLI ⁽⁵⁾
4 Multi-buffer transfer with LLI support	0	–	–	0	0	LLI ⁽⁵⁾	USR ⁽¹⁾	LLI ⁽⁵⁾	LLI ⁽⁵⁾	LLI ⁽⁵⁾
5 Multi-buffer transfer with DADDR reloaded	0	–	1	0	1	LLI ⁽⁵⁾	USR ⁽¹⁾	LLI ⁽⁵⁾	REP ⁽³⁾	LLI ⁽⁵⁾
6 Multi-buffer transfer with SADDR reloaded	0	1	–	1	0	LLI ⁽⁵⁾	USR ⁽¹⁾	REP ⁽³⁾	LLI ⁽⁵⁾	LLI ⁽⁵⁾
7 Multi-buffer transfer with BTSIZE reloaded and contiguous DADDR	1	–	0	0	1	REP ⁽³⁾	USR ⁽¹⁾	LLI ⁽⁵⁾	CONT ⁽²⁾	LLI ⁽⁵⁾
8 Multi-buffer transfer with BTSIZE reloaded and contiguous SADDR	1	0	–	1	0	REP ⁽³⁾	USR ⁽¹⁾	CONT ⁽²⁾	LLI ⁽⁵⁾	LLI ⁽⁵⁾
9 Automatic mode channel is stalling ⁽⁴⁾ Btsize is reloaded	1	0	0	1	1	REP ⁽³⁾	USR ⁽¹⁾	CONT ⁽²⁾	CONT ⁽²⁾	REP ⁽³⁾
10 Automatic mode BTSIZE, SADDR and DADDR reloaded	1	1	1	1	1	REP ⁽³⁾	USR ⁽¹⁾	REP ⁽³⁾	REP ⁽³⁾	REP ⁽³⁾
11 Automatic mode BTSIZE, SADDR reloaded and DADDR contiguous	1	1	0	1	1	REP ⁽³⁾	USR ⁽¹⁾	REP ⁽³⁾	CONT ⁽²⁾	REP ⁽³⁾

Note 1: USR means that the register field is manually programmed by the user.

2: CONT means that address are contiguous.

3: REP means that the register field is updated with its previous value. If the transfer is the first one, then the user must manually program the value.

4: Channel stalled is true if the relevant BTC interrupt is not masked.

5: LLI means that the register field is updated with the content of the linked list item.

- **Replay Mode of Channel Registers**

During automatic replay mode, the channel registers are reloaded with their initial values at the completion of each buffer and the new values used for the new buffer. Depending on the row number in [Table 31-4](#), some or all of the DMAC_SADDRx, DMAC_DADDRx, DMAC_CTRLAx and DMAC_CTRLBx channel registers are reloaded from their initial value at the start of a buffer transfer.

- **Contiguous Address Between Buffers**

In this case, the address between successive buffers is selected to be a continuation from the end of the previous buffer. Enabling the source or destination address to be contiguous between buffers is a function of the fields DMAC_CTRLAx.SRC_DSCR, DMAC_CFGx.DST_REP, DMAC_CFGx.SRC_REP and DMAC_CTRLAx.DST_DSCR.

- **Suspension of Transfers Between Buffers**

At the end of every buffer transfer, an end of buffer interrupt is asserted if:

- the channel buffer interrupt is unmasked, DMAC_EBCIMR.BTCx = '1', where x is the channel number.

Note: The Buffer Transfer Completed Interrupt is generated at the completion of the buffer transfer to the destination.

At the end of a chain of multiple buffers, an end of linked list interrupt is asserted if:

- the channel end of the Chained Buffer Transfer Completed Interrupt is unmasked, DMAC_EBCIMR.CBTCx = '1', when n is the channel number.

31.6.4.3 Ending Multi-buffer Transfers

All multi-buffer transfers must end as shown in Row 1 of [Table 31-4 on page 498](#). At the end of every buffer transfer, the DMAC samples the row number, and if the DMAC is in Row 1 state, then the previous buffer transferred was the last buffer and the DMAC transfer is terminated.

For rows 9, 10 and 11 of [Table 31-4 on page 498](#), (DMAC_DSCRx = 0 and DMAC_CTRLBx.AUTO is set), multi-buffer DMAC transfers continue until the automatic mode is disabled by clearing the DMAC_CTRLBx.AUTO bit. This bit should be programmed to zero in the end of buffer interrupt service routine that services the next-to-last buffer transfer. This puts the DMAC into Row 1 state.

For rows 2, 3, 4, 5, and 6 (DMAC_CTRLBx.AUTO cleared), the user must set up the last buffer descriptor in memory so that LLI.DMAC_DSCRx is set to 0.

31.6.5 Programming a Channel

Four registers, DMAC_DSCRx, DMAC_CTRLAx, DMAC_CTRLBx and DMAC_CFGx, need to be programmed to set up whether single or multi-buffer transfers take place, and which type of multi-buffer transfer is used. The different transfer types are shown in [Table 31-4 on page 498](#).

The "BTSIZE", "SADDR" and "DADDR" columns in the table indicate where the values of DMAC_SADDRx, DMAC_DADDRx, DMAC_CTRLAx, DMAC_CTRLBx, and DMAC_DSCRx are obtained for the next buffer transfer when multi-buffer DMAC transfers are enabled.

31.6.5.1 Programming Examples

- Single-buffer Transfer (Row 1)
- 1. Read the ENAx bit in the DMAC Channel Handler Status Register (DMAC_CHSR) to choose a free (disabled) channel.
- 2. Clear any pending interrupts on the channel from the previous DMAC transfer by reading the DMAC Error, Buffer Transfer and Chained Buffer Transfer Status Register (DMAC_EBCISR).
- 3. Program the following channel registers:
 - a) Write the starting source address in DMAC_SADDRx for channel x.
 - b) Write the starting destination address in DMAC_DADDRx for channel x.
 - c) Write the next descriptor address in DMA_DSCRx for channel x with 0x0.
 - d) Program DMAC_CTRLAx, DMAC_CTRLBx and DMAC_CFGx according to Row 1 as shown in [Table 31-4 on page 498](#). Program DMAC_CTRLBx with both AUTO bits cleared.
 - e) Write the control information for the DMAC transfer in DMAC_CTRLAx and DMAC_CTRLBx for channel x. For example, in the register, it is possible to program the following:
 - i. Set up the transfer type (memory or non-memory peripheral for source and destination) and flow control device by programming the FC field in DMAC_CTRLBx.
 - ii. Set up the transfer characteristics, such as:
 - Transfer width for the source in the SRC_WIDTH field.
 - Transfer width for the destination in the DST_WIDTH field.
 - Source AHB Master interface layer in the SIF field where source resides.
 - Destination AHB Master Interface layer in the DIF field where destination resides.
 - Incrementing/decrementing or fixed address for source in SRC_INCR field.
 - Incrementing/decrementing or fixed address for destination in DST_INCR field.
 - f) Write the channel configuration information into DMAC_CFGx for channel x.
 - i. Designate the handshaking interface type (hardware or software) for the source and destination peripherals. This is not required for memory. This step requires programming the SRC_H2SEL/DST_H2SEL bits, respectively. Writing a '1' activates the hardware handshaking interface to handle source/destination requests. Writing a '0' activates the software handshaking interface to handle source/destination requests.
 - ii. If the hardware handshaking interface is activated for the source or destination peripheral, assign a handshaking interface to the source and destination peripheral. This requires programming the SRC_PER and DST_PER bits, respectively.
 - g) If source Picture-in-Picture mode is enabled (DMAC_CTRLBx.SRC_PIP is enabled), program DMAC_SPIPx for channel x.
 - h) If destination Picture-in-Picture mode is enabled (DMAC_CTRLBx.DST_PIP is enabled), program DMAC_DPIPx for channel x.
- 4. After the DMAC selected channel has been programmed, enable the channel by setting the ENAx bit in the DMAC Channel Handler Enable Register (DMAC_CHER), where x is the channel number. Make sure that the ENABLE bit (register bit 0) in DMAC_EN is set.
- 5. Source and destination request single and chunk DMAC transactions to transfer the buffer of data (assuming non-memory peripherals). The DMAC acknowledges at the completion of every transaction (chunk and single) in the buffer and carries out the buffer transfer.
- 6. Once the transfer completes, the hardware sets the interrupts and disables the channel. At this time, you can either respond to the Buffer Transfer Completed Interrupt or Chained Buffer Transfer Completed Interrupt, or poll for the DMAC_CHSR.ENAx bit until it is cleared by hardware, to detect when the transfer is complete.

- Multi-buffer Transfer with Linked List for Source and Linked List for Destination (Row 4)

1. Read the DMAC_CHSR to choose a free (disabled) channel.
2. Set up the chain of Linked List Items (otherwise known as buffer descriptors) in memory. Write the control information in the LLI.DMAC_CTRLAx and LLI.DMAC_CTRLBx registers location of the buffer descriptor for each LLI in memory (see [Figure 31-7 on page 502](#)) for channel x. For example, in the register, it is possible to program the following:
 - a) Set up the transfer type (memory or non-memory peripheral for source and destination) and flow control device by programming the FC field in DMAC_CTRLBx.
 - b) Set up the transfer characteristics, such as:
 - i. Transfer width for the source in the SRC_WIDTH field.
 - ii. Transfer width for the destination in the DST_WIDTH field.
 - iii. Source AHB master interface layer in the SIF field where source resides.
 - iv. Destination AHB master interface layer in the DIF field where destination resides.
 - v. Incrementing/decrementing or fixed address for source in SRC_INCR field.
 - vi. Incrementing/decrementing or fixed address for destination DST_INCR field.
3. Write the channel configuration information into DMAC_CFGx for channel x.
 - a) Designate the handshaking interface type (hardware or software) for the source and destination peripherals. This is not required for memory. This step requires programming the SRC_H2SEL/DST_H2SEL bits, respectively. Writing a '1' activates the hardware handshaking interface to handle source/destination requests for the specific channel. Writing a '0' activates the software handshaking interface to handle source/destination requests.
 - b) If the hardware handshaking interface is activated for the source or destination peripheral, assign the handshaking interface to the source and destination peripheral. This requires programming the SRC_PER and DST_PER bits, respectively.
4. Make sure that the LLI.DMAC_CTRLBx register locations of all LLI entries in memory (except the last) are set as shown in Row 4 of [Table 31-4 on page 498](#). The LLI.DMAC_CTRLBx register of the last Linked List Item must be set as described in Row 1 of [Table 31-4](#). [Figure 31-5 on page 496](#) shows a Linked List example with two list items.
5. Make sure that the LLI.DMAC_DSCRx register locations of all LLI entries in memory (except the last) are non-zero and point to the base address of the next Linked List Item.
6. Make sure that the LLI.DMAC_SADDRx/LLI.DMAC_DADDRx register locations of all LLI entries in memory point to the start source/destination buffer address preceding that LLI fetch.
7. Make sure that the LLI.DMAC_CTRLAx.DONE bit of the LLI.DMAC_CTRLAx register locations of all LLI entries in memory are cleared.
8. If source Picture-in-Picture mode is enabled (DMAC_CTRLBx.SRC_PIP is enabled), program DMAC_SPIPx for channel x.
9. If destination Picture-in-Picture is enabled (DMAC_CTRLBx.DST_PIP is enabled), program DMAC_DPIPx for channel x.
10. Clear any pending interrupts on the channel from the previous DMAC transfer by reading DMAC_EBCISR.
11. Program DMAC_CTRLBx and DMAC_CFGx according to Row 4 as shown in [Table 31-4 on page 498](#).
12. Program DMAC_DSCRx with DMAC_DSCRx(0), the pointer to the first Linked List item.
13. Finally, enable the channel by setting the DMAC_CHER.ENAx bit, where x is the channel number. The transfer is performed.
14. The DMAC fetches the first LLI from the location pointed to by DMAC_DSCRx(0).

Note: The LLI.DMAC_SADDRx, LLI.DMAC_DADDRx, LLI.DMAC_DSCRx, LLI.DMAC_CTRLAx and LLI.DMAC_CTRLBx registers are fetched. The DMAC automatically reprograms the DMAC_SADDRx, DMAC_DADDRx, DMAC_DSCRx, DMAC_CTRLBx and DMAC_CTRLAx channel registers from the DMAC_DSCRx(0).

15. Source and destination request single and chunk DMAC transactions to transfer the buffer of data (assuming non-memory peripheral). The DMAC acknowledges at the completion of every transaction (chunk and single) in the buffer and carries out the buffer transfer.
16. Once the buffer of data is transferred, the DMAC_CTRLAx register is written out to system memory at the same location and on the same layer (DMAC_DSCRx.DSCR_IF) where it was originally fetched, that is, the location of the DMAC_CTRLAx register of the linked list item fetched prior to the start of the buffer transfer. Only DMAC_CTRLAx register is written out because only the DMAC_CTRLAx.BTSIZE and DMAC_CTRLAx.DONE bits have been updated by DMAC hardware. Additionally, the DMAC_CTRLAx.DONE bit is asserted when the buffer transfer has completed.

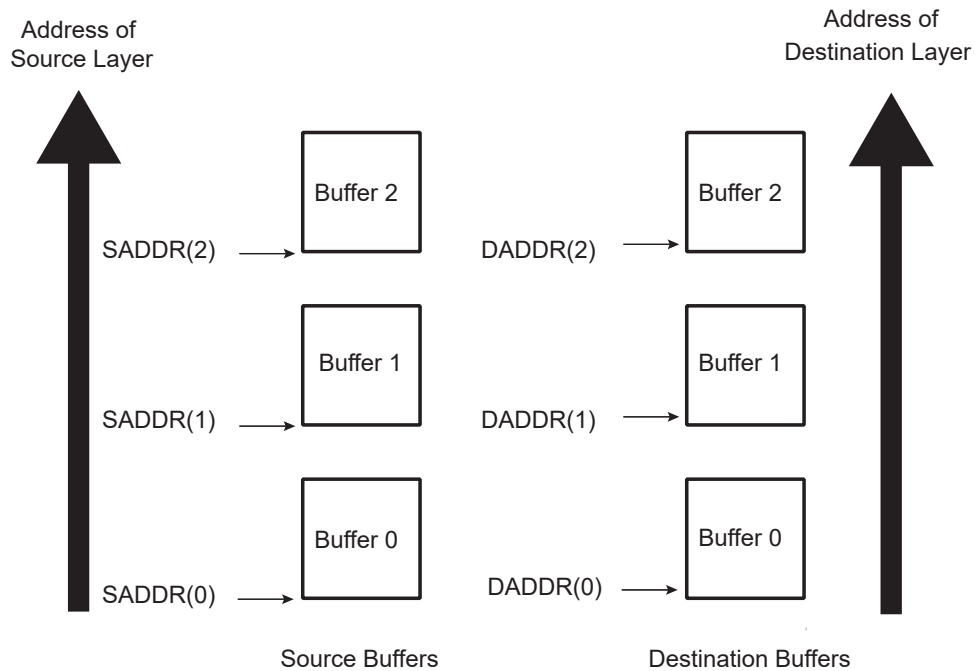
Note: Do not poll the DMAC_CTRLAx.DONE bit in the DMAC memory map. Instead, poll the LLI.DMAC_CTRLAx.DONE bit in the LLI for that buffer. If the poll LLI.DMAC_CTRLAx.DONE bit is asserted, then this buffer transfer has completed. This LLI.DMAC_CTRLAx.DONE bit was cleared at the start of the transfer.

17. The DMAC does not wait for the buffer interrupt to be cleared, but continues fetching the next LLI from the memory location pointed to by current DMAC_DSCRx and automatically reprograms the DMAC_SADDRx, DMAC_DADDRx, DMAC_DSCRx, DMAC_CTRLAx and DMAC_CTRLBx channel registers. The DMAC transfer continues until the DMAC determines that the

SAMA5D3 SERIES

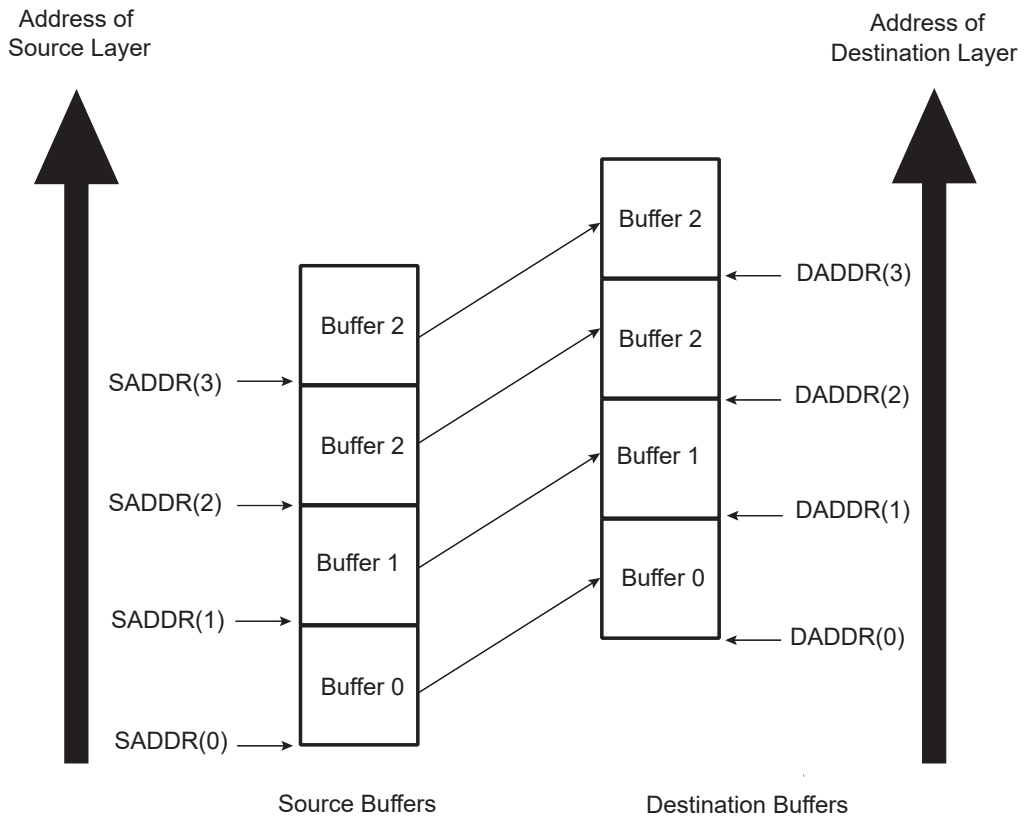
DMAC_CTRLBx and DMAC_DSCRx registers at the end of a buffer transfer match as described in Row 1 of [Table 31-4 on page 498](#). The DMAC then knows that the previous buffer transferred was the last buffer in the DMAC transfer. The DMAC transfer might look like that shown in [Figure 31-7](#).

Figure 31-7: Multi-buffer with Linked List Address for Source and Destination



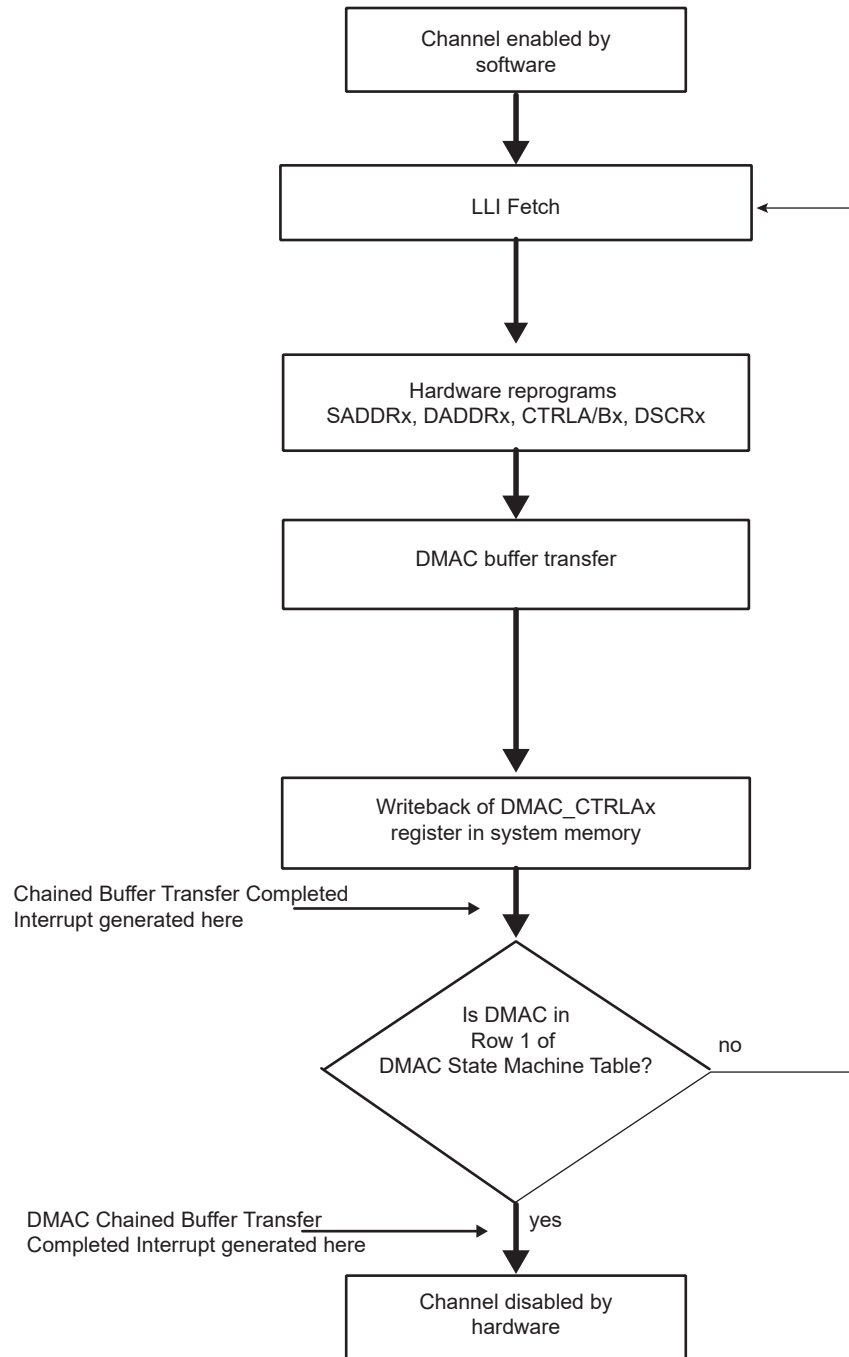
If the user needs to execute a DMAC transfer where the source and destination address are contiguous but the amount of data to be transferred is greater than the maximum buffer size `DMAC_CTRLAx.BTSIZE`, then this can be achieved using the type of multi-buffer transfer as shown in [Figure 31-8](#).

Figure 31-8: Multi-buffer with Linked Address for Source and Destination Buffers are Contiguous



The DMAC transfer flow is shown in [Figure 31-9](#).

Figure 31-9: DMAC Transfer Flow for Source and Destination Linked List Address



- Multi-buffer Transfer with Source Address Auto-reloaded and Destination Address Auto-reloaded (Row 10)
 1. Read the DMAC_CHSR to choose an available (disabled) channel.
 2. Clear any pending interrupts on the channel from the previous DMAC transfer by reading the interrupt status register. Program the following channel registers:
 - a) Write the starting source address in DMAC_SADDRx for channel x.
 - b) Write the starting destination address in DMAC_DADDRx for channel x.
 - c) Program DMAC_CTRLAx, DMAC_CTRLBx and DMAC_CFGx according to Row 10 as shown in [Table 31-4 on page 498](#). Program DMAC_DSCRx with 0.
 - d) Write the control information for the DMAC transfer in DMAC_CTRLAx and DMAC_CTRLBx for channel x. For example, in the register, it is possible to program the following:
 - i. Set up the transfer type (memory or non-memory peripheral for source and destination) and flow control device by programming the FC field in DMAC_CTRLBx.
 - ii. Set up the transfer characteristics, such as:
 - Transfer width for the source in the SRC_WIDTH field.
 - Transfer width for the destination in the DST_WIDTH field.
 - Source AHB master interface layer in the SIF field where source resides.
 - Destination AHB master interface layer in the DIF field where destination resides.
 - Incrementing/decrementing or fixed address for source in SRC_INCR field.
 - Incrementing/decrementing or fixed address for destination in DST_INCR field.
 - e) If source Picture-in-Picture mode is enabled (DMAC_CTRLBx.SPIP is enabled), program DMAC_SPIPx for channel x.
 - f) If destination Picture-in-Picture is enabled (DMAC_CTRLBx.DPIP), program DMAC_DPIPx for channel x.
 - g) Write the channel configuration information into DMAC_CFGx for channel x. Ensure that the reload bits, DMAC_CFGx.SRC_REP, DMAC_CFGx.DST_REP and DMAC_CTRLBx.AUTO are enabled.
 - i. Designate the handshaking interface type (hardware or software) for the source and destination peripherals. This is not required for memory. This step requires programming the SRC_H2SEL/DST_h2SEL bits, respectively. Writing a '1' activates the hardware handshaking interface to handle source/destination requests for the specific channel. Writing a '0' activates the software handshaking interface to handle source/destination requests.
 - ii. If the hardware handshaking interface is activated for the source or destination peripheral, assign handshaking interface to the source and destination peripheral. This requires programming the SRC_PER and DST_PER bits, respectively.
 3. After the DMAC selected channel has been programmed, enable the channel by setting the DMAC_CHER.ENAx bit where x is the channel number. Make sure that the ENABLE bit (register bit 0) in DMAC_EN is set.
 4. Source and destination request single and chunk DMAC transactions to transfer the buffer of data (assuming non-memory peripherals). The DMAC acknowledges on completion of each chunk/single transaction and carries out the buffer transfer.
 5. When the buffer transfer has completed, the DMAC reloads DMAC_SADDRx, DMAC_DADDRx and DMAC_CTRLAx. The hardware sets the Buffer Transfer Completed Interrupt. The DMAC then samples the row number as shown in [Table 31-4 on page 498](#). If the DMAC is in Row 1, then the DMAC transfer has completed. The hardware sets the Chained Buffer Transfer Completed Interrupt and disables the channel. You can either respond to the Buffer Transfer Completed Interrupt or Chained Buffer Transfer Completed Interrupt, or poll for the DMAC_CHSR.ENAx until it is disabled, to detect when the transfer is complete. If the DMAC is not in Row 1, the next step is performed.
 6. The DMAC transfer proceeds as follows:
 - a) If the Buffer Transfer Completed Interrupt is unmasked (DMAC_EBCIMR.BTCx = '1', where x is the channel number), the hardware sets the Buffer Transfer Completed Interrupt when the buffer transfer has completed. It then stalls until the STALx bit of DMAC_CHSR is cleared by software, writing '1' to DMAC_CHER.KEEPx bit, where x is the channel number. If the next buffer is to be the last buffer in the DMAC transfer, then the buffer complete ISR (interrupt service routine) should clear the automatic mode bit in the DMAC_CTRLBx.AUTO bit. This puts the DMAC into Row 1 as shown in [Table 31-4 on page 498](#). If the next buffer is not the last buffer in the DMAC transfer, then the reload bits should remain enabled to keep the DMAC in Row 4.
 - b) If the Buffer Transfer Completed Interrupt is masked (DMAC_EBCIMR.BTCx = '0', where x is the channel number), the hardware does not stall until it detects a write to the Buffer Transfer Completed Interrupt Enable register DMAC_EBCIER register, but starts the next buffer transfer immediately. In this case, the software must clear the automatic mode bit in the DMAC_CTRLBx to put the DMAC into ROW 1 of [Table 31-4 on page 498](#) before the last buffer of the DMAC transfer has completed. The transfer is similar to that shown in [Figure 31-10](#). The DMAC transfer flow is shown in [Figure 31-11 on page 507](#).

Figure 31-10: Multi-buffer DMAC Transfer with Source and Destination Address Auto-reloaded

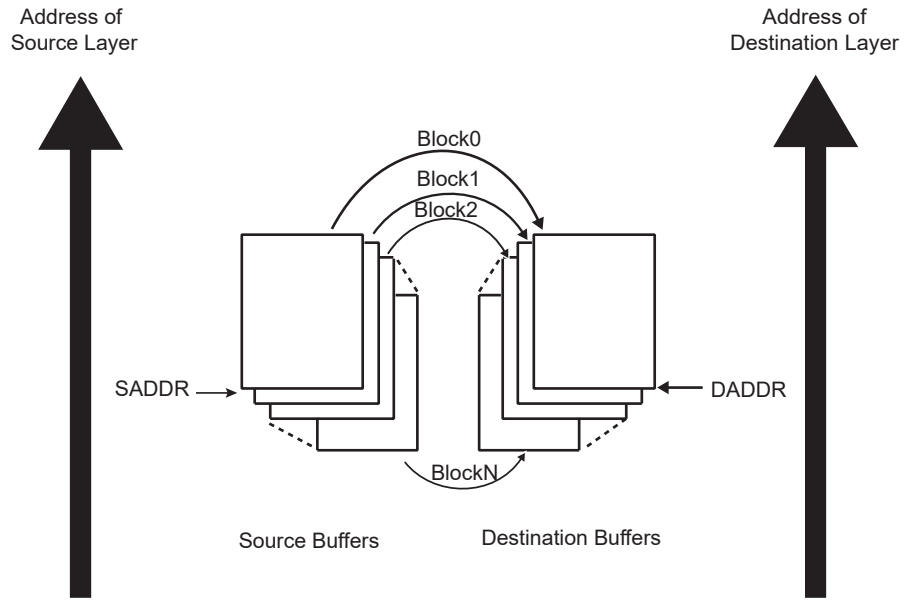
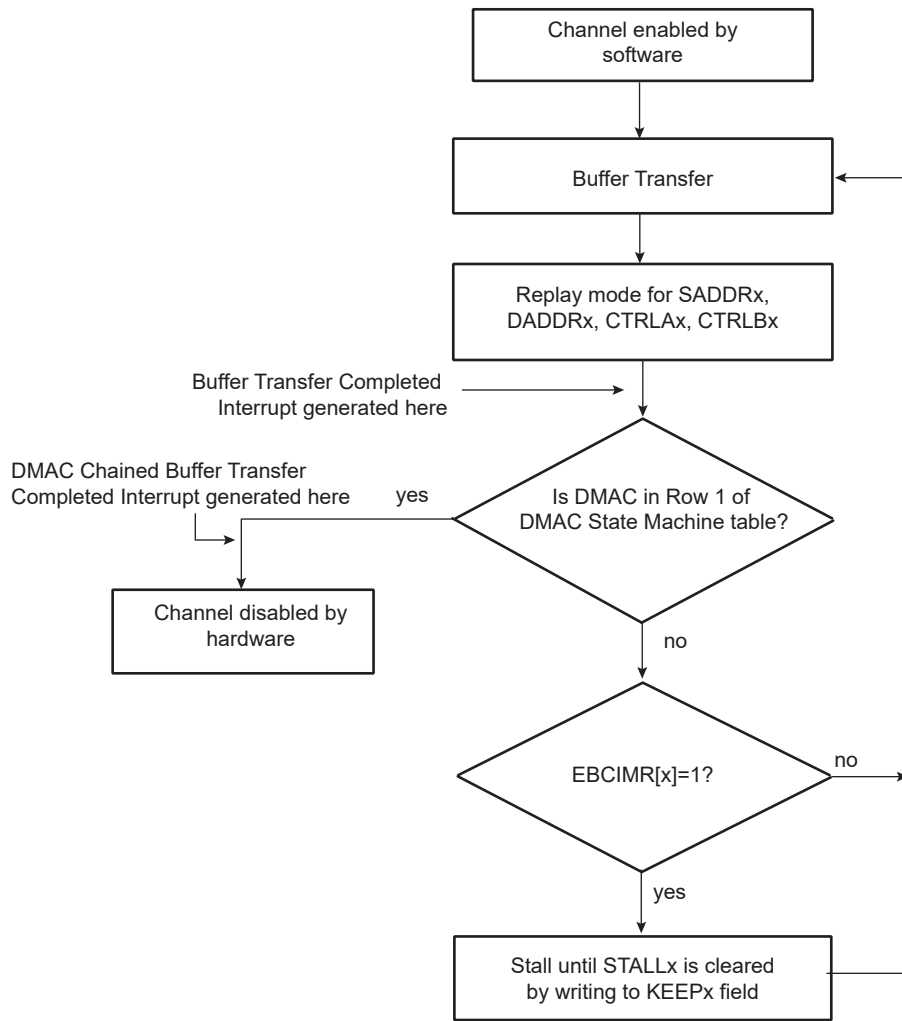


Figure 31-11: DMAC Transfer Flow for Source and Destination Address Auto-reloaded



SAMA5D3 SERIES

- Multi-buffer Transfer with Source Address Auto-reloaded and Linked List Destination Address (Row 6)

1. Read the DMAC_CHSR to choose a free (disabled) channel.
2. Set up the chain of linked list items (otherwise known as buffer descriptors) in memory. Write the control information in the LLI.DMAC_CTRLAx and DMAC_CTRLBx registers location of the buffer descriptor for each LLI in memory for channel x. For example, in the register, it is possible to program the following:
 - a) Set up the transfer type (memory or non-memory peripheral for source and destination) and flow control peripheral by programming the FC field in DMAC_CTRLBx.
 - b) Set up the transfer characteristics, such as:
 - i. Transfer width for the source in the SRC_WIDTH field.
 - ii. Transfer width for the destination in the DST_WIDTH field.
 - iii. Source AHB master interface layer in the SIF field where source resides.
 - iv. Destination AHB master interface layer in the DIF field where destination resides.
 - v. Incrementing/decrementing or fixed address for source in SRC_INCR field.
 - vi. Incrementing/decrementing or fixed address for destination DST_INCR field.
3. Write the starting source address in DMAC_SADDRx for channel x.

Note: The values in the LLI.DMAC_SADDRx register locations of each of the Linked List Items (LLIs) set up in memory, although fetched during an LLI fetch, are not used.

4. Write the channel configuration information into DMAC_CFGx for channel x.
 - a) Designate the handshaking interface type (hardware or software) for the source and destination peripherals. This is not required for memory. This step requires programming the SRC_H2SEL/DST_H2SEL bits, respectively. Writing a '1' activates the hardware handshaking interface to handle source/destination requests for the specific channel. Writing a '0' activates the software handshaking interface source/destination requests.
 - b) If the hardware handshaking interface is activated for the source or destination peripheral, assign handshaking interface to the source and destination peripheral. This requires programming the SRC_PER and DST_PER bits, respectively.
5. Make sure that the LLI.DMAC_CTRLBx register locations of all LLIs in memory (except the last one) are set as shown in Row 6 of [Table 31-4 on page 498](#) while the LLI.DMAC_CTRLBx register of the last Linked List item must be set as described in Row 1 of [Table 31-4](#). [Figure 31-5 on page 496](#) shows a Linked List example with two list items.
6. Make sure that the LLI.DMAC_DSCRx register locations of all LLIs in memory (except the last one) are non-zero and point to the next Linked List item.
7. Make sure that the LLI.DMAC_DADDRx register locations of all LLIs in memory point to the start destination buffer address proceeding that LLI fetch.
8. Make sure that the LLI.DMAC_CTRLAx.DONE bit of the LLI.DMAC_CTRLAx register locations of all LLIs in memory is cleared.
9. If source Picture-in-Picture is enabled (DMAC_CTRLBx.SPIP is enabled), program DMAC_SPIPx for channel x.
10. If destination Picture-in-Picture is enabled (DMAC_CTRLBx.DPIP is enabled), program DMAC_DPIPx for channel x.
11. Clear any pending interrupts on the channel from the previous DMAC transfer by reading DMAC_EBCISR.
12. Program DMAC_CTRLAx, DMAC_CTRLBx and DMAC_CFGx according to Row 6 as shown in [Table 31-4 on page 498](#).
13. Program DMAC_DSCRx with DMAC_DSCRx(0), the pointer to the first Linked List item.
14. Finally, enable the channel by setting the DMAC_CHER.ENAx bit, where x is the channel number. The transfer is performed. Make sure that the ENABLE bit (register bit 0) in DMAC_EN is set.
15. The DMAC fetches the first LLI from the location pointed to by DMAC_DSCRx(0).

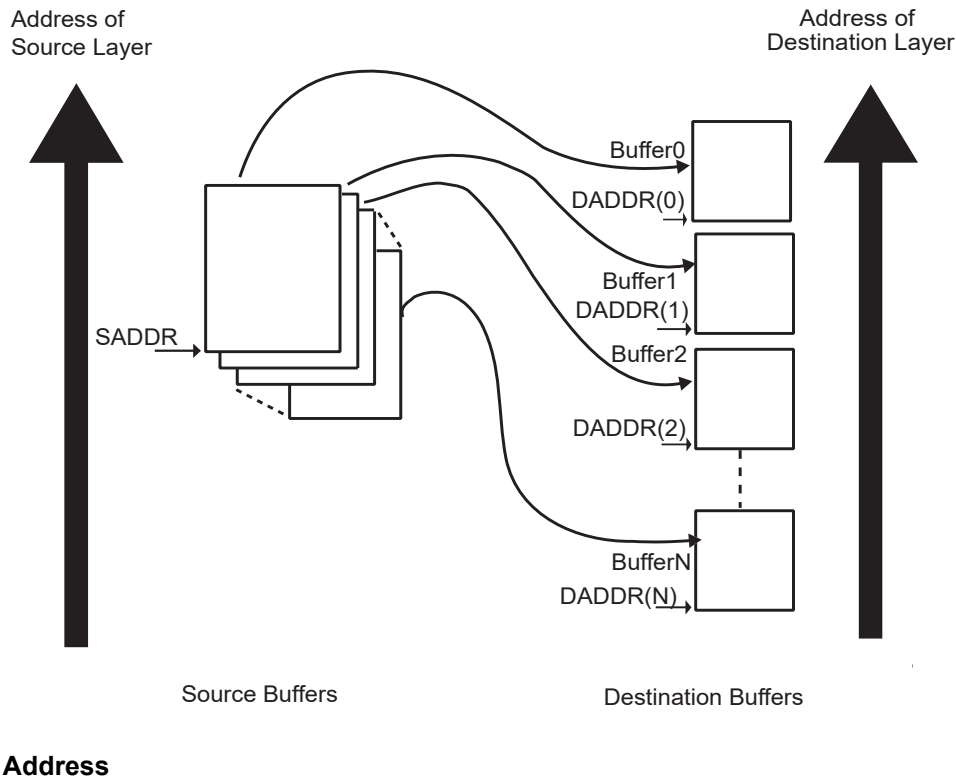
Note: The LLI.DMAC_SADDRx, LLI.DMAC_DADDRx, LLI.DMAC_DSCRx, LLI.DMAC_CTRLAx and LLI.DMAC_CTRLBx registers are fetched. The LLI.DMAC_SADDRx register, although fetched, is not used.

16. Source and destination request single and chunk DMAC transactions to transfer the buffer of data (assuming non-memory peripherals). DMAC acknowledges at the completion of every transaction (chunk and single) in the buffer and carries out the buffer transfer.
17. The DMAC_CTRLAx register is written out to the system memory. The DMAC_CTRLAx register is written out to the same location on the same layer (DMAC_DSCRx.DSCR_IF) where it was originally fetched, that is the location of the DMAC_CTRLAx register of the linked list item fetched prior to the start of the buffer transfer. Only DMAC_CTRLAx register is written out, because only the DMAC_CTRLAx.BTSIZE and DMAC_CTRLAx.DONE fields have been updated by hardware within the DMAC. The LLI.DMAC_CTRLAx.DONE bit is asserted to indicate buffer completion. Therefore, the software can poll the LLI.DMAC_CTRLAx.DONE bit of the DMAC_CTRLAx register in the LLI to ascertain when a buffer transfer has completed.

Note: Do not poll the DMAC_CTRLAx.DONE bit in the DMAC memory map. Instead, poll the LLI.DMAC_CTRLAx.DONE bit in the LLI for that buffer. If the polled LLI.DMAC_CTRLAx.DONE bit is asserted, then this buffer transfer has completed. This LLI.DMAC_CTRLAx.DONE bit was cleared at the start of the transfer.

18. The DMAC reloads DMAC_SADDRx from the initial value. The hardware sets the Buffer Transfer Completed Interrupt. The DMAC samples the row number as shown in [Table 31-4 on page 498](#). If the DMAC is in Row 1, then the DMAC transfer has completed. The hardware sets the Chained Buffer Transfer Completed Interrupt and disables the channel. You can either respond to the Buffer Transfer Completed Interrupt or Chained Buffer Transfer Completed Interrupt, or poll for the DMAC_CHSR.ENAx bit until it is cleared by hardware, to detect when the transfer is complete. If the DMAC is not in Row 1 as shown in [Table 31-4 on page 498](#), the following step is performed.
19. The DMAC fetches the next LLI from the memory location pointed to by the current DMAC_DSCRx register, and automatically reprograms the DMAC_DADDRx, DMAC_CTRLAx, DMAC_CTRLBx and DMAC_DSCRx channel registers. Note that the DMAC_SADDRx is not reprogrammed as the reloaded value is used for the next DMAC buffer transfer. If the next buffer is the last buffer of the DMAC transfer, then the DMAC_CTRLBx and DMAC_DSCRx registers just fetched from the LLI should match Row 1 of [Table 31-4 on page 498](#). The DMAC transfer might look like that shown in [Figure 31-12 on page 509](#).

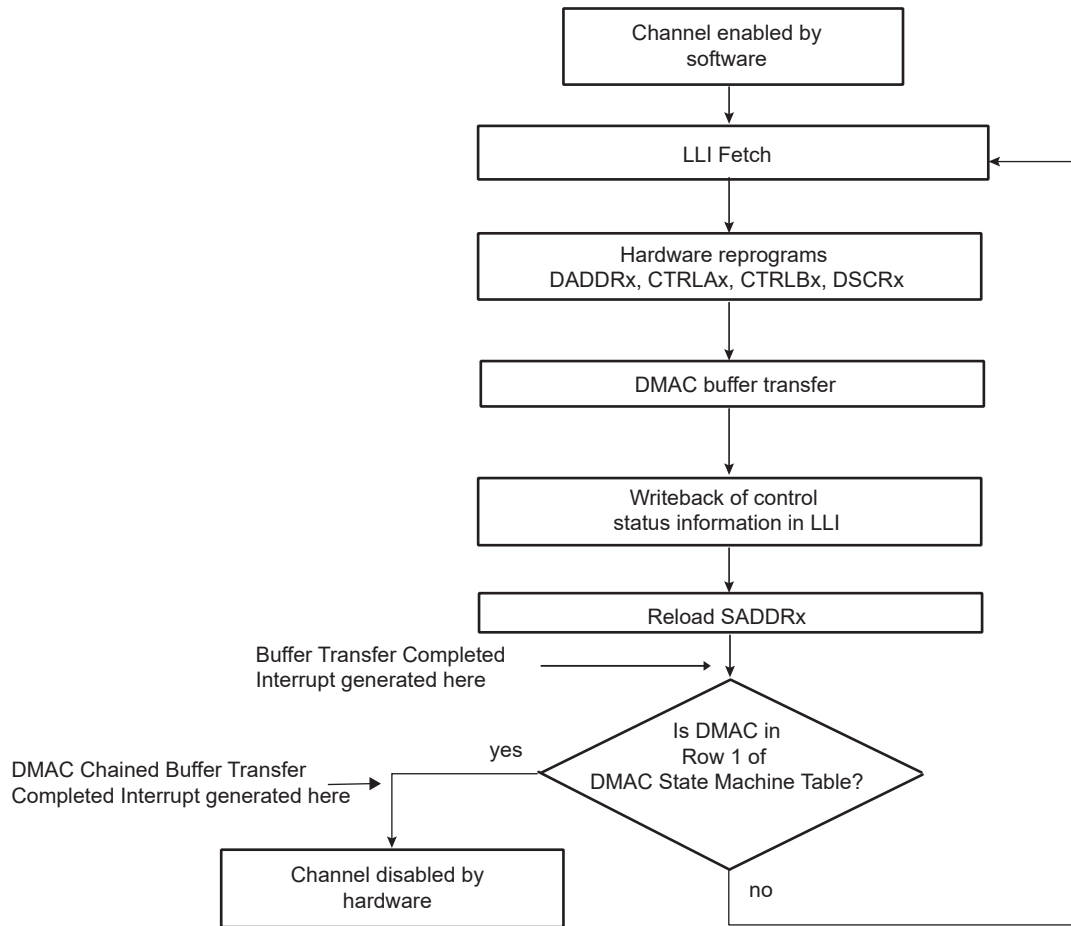
Figure 31-12: Multi-buffer DMAC Transfer with Source Address Auto-reloaded and Linked List Destination



The DMAC Transfer flow is shown in [Figure 31-13 on page 510](#).

SAMA5D3 SERIES

Figure 31-13: DMAC Transfer Flow for Replay Mode at Source and Linked List Destination Address



- Multi-buffer Transfer with Source Address Auto-reloaded and Contiguous Destination Address (Row 11)
 1. Read the DMAC_CHSR to choose a free (disabled) channel.
 2. Clear any pending interrupts on the channel from the previous DMAC transfer by reading to the Interrupt Status Register.
 3. Program the following channel registers:
 - a) Write the starting source address in DMAC_SADDRx for channel x.
 - b) Write the starting destination address in DMAC_DADDRx for channel x.
 - c) Program DMAC_CTRLAx, DMAC_CTRLBx and DMAC_CFGx according to Row 11 as shown in [Table 31-4 on page 498](#). Program DMAC_DSCRx with '0'. DMAC_CTRLBx.AUTO bit is set to '1' to enable automatic mode support.
 - d) Write the control information for the DMAC transfer in DMAC_CTRLBx and DMAC_CTRLAx for channel x. For example, in this register, it is possible to program the following:
 - i. Set up the transfer type (memory or non-memory peripheral for source and destination) and flow control device by programming the FC field in DMAC_CTRLBx.
 - ii. Set up the transfer characteristics, such as:
 - Transfer width for the source in the SRC_WIDTH field.
 - Transfer width for the destination in the DST_WIDTH field.
 - Source AHB master interface layer in the SIF field where source resides.
 - Destination AHB master interface master layer in the DIF field where destination resides.
 - Incrementing/decrementing or fixed address for source in SRC_INCR field.
 - Incrementing/decrementing or fixed address for destination in DST_INCR field.
 - e) If source Picture-in-Picture is enabled (DMAC_CTRLBx.SPIP is enabled), program DMAC_SPIPx for channel x.
 - f) If destination Picture-in-Picture is enabled (DMAC_CTRLBx.DPIP), program DMAC_DPIPx for channel x.
 - g) Write the channel configuration information into DMAC_CFGx for channel x.
 - i. Designate the handshaking interface type (hardware or software) for the source and destination peripherals. This is not required for memory. This step requires programming the SRC_H2SEL/DST_H2SEL bits, respectively. Writing a '1' activates the hardware handshaking interface to handle source/destination requests for the specific channel. Writing a '0' activates the software handshaking interface to handle source/destination requests.
 - ii. If the hardware handshaking interface is activated for the source or destination peripheral, assign the handshaking interface to the source and destination peripheral. This requires programming the SRC_PER and DST_PER bits, respectively.
 4. After the DMAC channel has been programmed, enable the channel by setting the DMAC_CHER.ENAx bit, where x is the channel number. Make sure that the ENABLE bit (register bit 0) in DMAC_EN is set.
 5. Source and destination request single and chunk DMAC transactions to transfer the buffer of data (assuming non-memory peripherals). The DMAC acknowledges at the completion of every transaction (chunk and single) in the buffer and carries out the buffer transfer.
 6. When the buffer transfer has completed, the DMAC reloads DMAC_SADDRx. DMAC_DADDRx remains unchanged. The hardware sets the Buffer Transfer Completed Interrupt. The DMAC then samples the row number as shown in [Table 31-4 on page 498](#). If the DMAC is in Row 1, then the DMAC transfer has completed. The hardware sets the Chained Buffer Transfer Completed Interrupt and disables the channel. You can either respond to the Buffer Transfer Completed Interrupt or Chained Buffer Transfer Completed Interrupt, or poll for the DMAC_CHSR.ENAx bit until it is cleared by hardware, to detect when the transfer is complete. If the DMAC is not in Row 1, the next step is performed.
 7. The DMAC transfer proceeds as follows:
 - a) If the Buffer Transfer Completed Interrupt is unmasked (DMAC_EBCIMR.BTCx = '1', where x is the channel number), the hardware sets the Buffer Transfer Completed Interrupt when the buffer transfer has completed. It then stalls until STALx bit of DMAC_CHSR is cleared by writing in the KEEPx bit of DMAC_CHER, where x is the channel number. If the next buffer is to be the last buffer in the DMAC transfer, then the buffer complete ISR (interrupt service routine) should clear the automatic mode bit, DMAC_CTRLBx.AUTO. This puts the DMAC into Row 1 as shown in [Table 31-4 on page 498](#). If the next buffer is not the last buffer in the DMAC transfer, then the automatic transfer mode bit should remain enabled to keep the DMAC in Row 11 as shown in [Table 31-4 on page 498](#).
 - b) If the Buffer Transfer Completed Interrupt is masked (DMAC_EBCIMR.BTCx = '0', where x is the channel number), the hardware does not stall until it detects a write to the Buffer Transfer Completed Interrupt Enable register, but starts the next buffer transfer immediately. In this case, the software must clear the automatic mode bit, DMAC_CTRLBx.AUTO, to put the device into Row 1 of [Table 31-4 on page 498](#) before the last buffer of the DMAC transfer has completed.

The transfer is similar to that shown in [Figure 31-14](#).

The DMAC Transfer flow is shown in [Figure 31-15 on page 513](#).

Figure 31-14: Multi-buffer Transfer with Source Address Auto-reloaded and Contiguous Destination Address

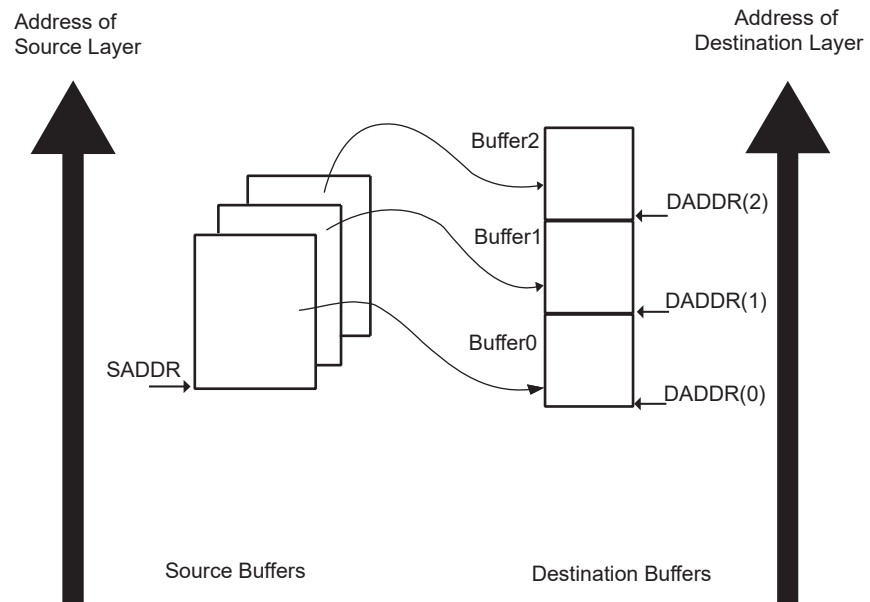
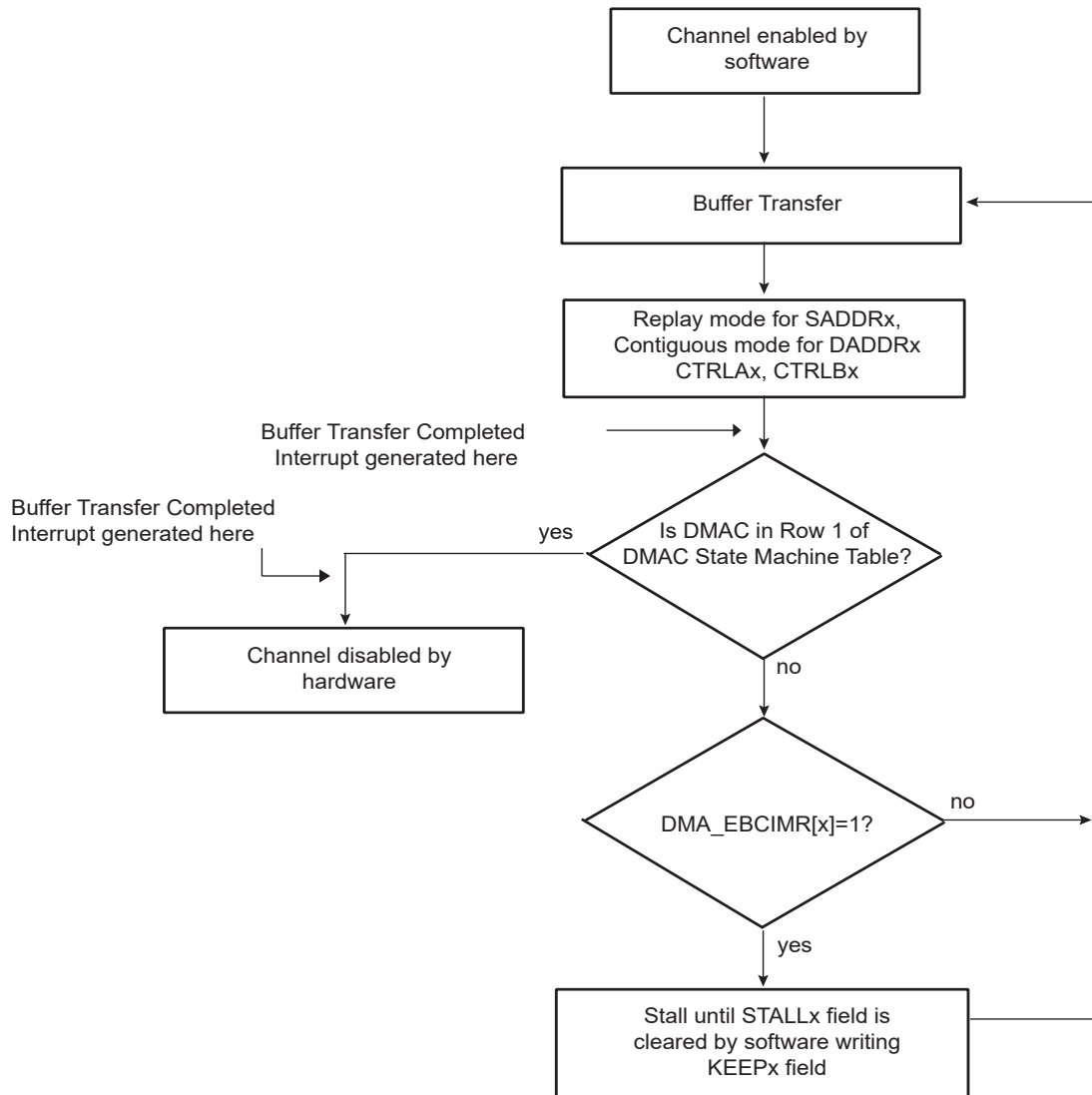


Figure 31-15: DMAC Transfer Replay Mode is Enabled for the Source and Contiguous Destination Address



SAMA5D3 SERIES

- Multi-buffer DMAC Transfer with Linked List for Source and Contiguous Destination Address (Row 2)

1. Read the DMAC_CHSR to choose a free (disabled) channel.
2. Set up the linked list in memory. Write the control information in the LLI.DMAC_CTRLAx and LLI.DMAC_CTRLBx register location of the buffer descriptor for each LLI in memory for channel x. For example, in the register, it is possible to program the following:
 - a) Set up the transfer type (memory or non-memory peripheral for source and destination) and flow control device by programming the FC field in DMAC_CTRLBx.
 - b) Set up the transfer characteristics, such as:
 - i. Transfer width for the source in the SRC_WIDTH field.
 - ii. Transfer width for the destination in the DST_WIDTH field.
 - iii. Source AHB master interface layer in the SIF field where source resides.
 - iv. Destination AHB master interface layer in the DIF field where destination resides.
 - v. Incrementing/decrementing or fixed address for source in SRC_INCR field.
 - vi. Incrementing/decrementing or fixed address for destination DST_INCR field.
3. Write the starting destination address in DMAC_DADDRx for channel x.

Note: The values in the LLI.DMAC_DADDRx register location of each Linked List Item (LLI) in memory, although fetched during an LLI fetch, are not used.

4. Write the channel configuration information into DMAC_CFGx for channel x.
 - a) Designate the handshaking interface type (hardware or software) for the source and destination peripherals. This is not required for memory. This step requires programming the SRC_H2SEL/DST_H2SEL bits, respectively. Writing a '1' activates the hardware handshaking interface to handle source/destination requests for the specific channel. Writing a '0' activates the software handshaking interface to handle source/destination requests.
 - b) If the hardware handshaking interface is activated for the source or destination peripheral, assign the handshaking interface to the source and destination peripherals. This requires programming the SRC_PER and DST_PER bits, respectively.
5. Make sure that all LLI.DMAC_CTRLBx register locations of the LLI (except the last) are set as shown in Row 2 of [Table 31-4 on page 498](#), while the LLI.DMAC_CTRLBx register of the last Linked List item must be set as described in Row 1 of [Table 31-4. Figure 31-5 on page 496](#) shows a Linked List example with two list items.
6. Make sure that the LLI.DMAC_DSCRx register locations of all LLIs in memory (except the last) are non-zero and point to the next Linked List Item.
7. Make sure that the LLI.DMAC_SADDRx register locations of all LLIs in memory point to the start source buffer address preceding that LLI fetch.
8. Make sure that the LLI.DMAC_CTRLAx.DONE bit of the LLI.DMAC_CTRLAx register locations of all LLIs in memory is cleared.
9. If source Picture-in-Picture is enabled (DMAC_CTRLBx.SPIP is enabled), program DMAC_SPIPx for channel x.
10. If destination Picture-in-Picture is enabled (DMAC_CTRLBx.DPIP is enabled), program DMAC_DPIPx for channel x.
11. Clear any pending interrupts on the channel from the previous DMAC transfer by reading the interrupt status register.
12. Program DMAC_CTRLAx, DMAC_CTRLBx and DMAC_CFGx according to Row 2 as shown in [Table 31-4 on page 498](#)
13. Program DMAC_DSCRx with DMAC_DSCRx(0), the pointer to the first Linked List item.
14. Finally, enable the channel by setting the DMAC_CHER.ENAx bit. The transfer is performed. Make sure that the ENABLE bit (register bit 0) in DMAC_EN is set.
15. The DMAC fetches the first LLI from the location pointed to by DMAC_DSCRx(0).

Note: The LLI.DMAC_SADDRx, LLI.DMAC_DADDRx, LLI.DMAC_DSCRx and LLI.DMAC_CTRLA/Bx registers are fetched. The LLI.DMAC_DADDRx register location of the LLI, although fetched, is not used. The DMAC_DADDRx register in the DMAC remains unchanged.

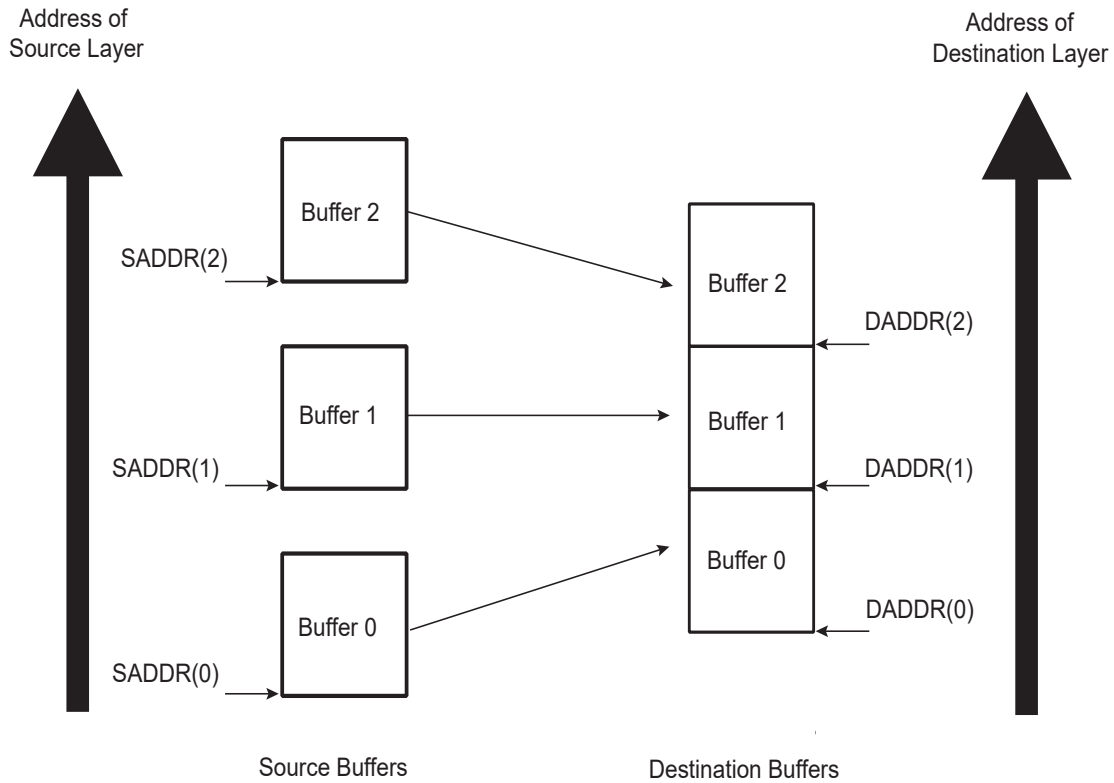
16. Source and destination requests single and chunk DMAC transactions to transfer the buffer of data (assuming non-memory peripherals). The DMAC acknowledges at the completion of every transaction (chunk and single) in the buffer and carries out the buffer transfer.
17. Once the buffer of data is transferred, the DMAC_CTRLAx register is written out to the system memory at the same location and on the same layer (DMAC_DSCRx.DSCR_IF) where it was originally fetched, that is, the location of the DMAC_CTRLAx register of the linked list item fetched prior to the start of the buffer transfer. Only DMAC_CTRLAx register is written out because only the DMAC_CTRLAx.BTSIZE and DMAC_CTRLAx.DONE fields have been updated by DMAC hardware. Additionally, the DMAC_CTRLAx.DONE bit is asserted when the buffer transfer has completed.

Note: Do not poll the DMAC_CTRLAx.DONE bit in the DMAC memory map. Instead, poll the LLI.DMAC_CTRLAx.DONE bit in the LLI for that buffer. If the poll LLI.DMAC_CTRLAx.DONE bit is asserted, then this buffer transfer has completed. This LLI.DMAC_CTRLAx.DONE bit was cleared at the start of the transfer.

18. The DMAC does not wait for the buffer interrupt to be cleared, but continues and fetches the next LLI from the memory location pointed to by the current DMAC_DSCRx register, then automatically reprograms the DMAC_SADDRx, DMAC_CTRLAx, DMAC_CTRLBx and DMAC_DSCRx channel registers. DMAC_DADDRx is left unchanged. The DMAC transfer continues until the DMAC samples the DMAC_CTRLAx, DMAC_CTRLBx and DMAC_DSCRx registers at the end of a buffer transfer match that described in Row 1 of [Table 31-4 on page 498](#). The DMAC then knows that the previous buffer transferred was the last buffer in the DMAC transfer.

The DMAC transfer might look like that shown in [Figure 31-16](#). Note that the destination address is decrementing.

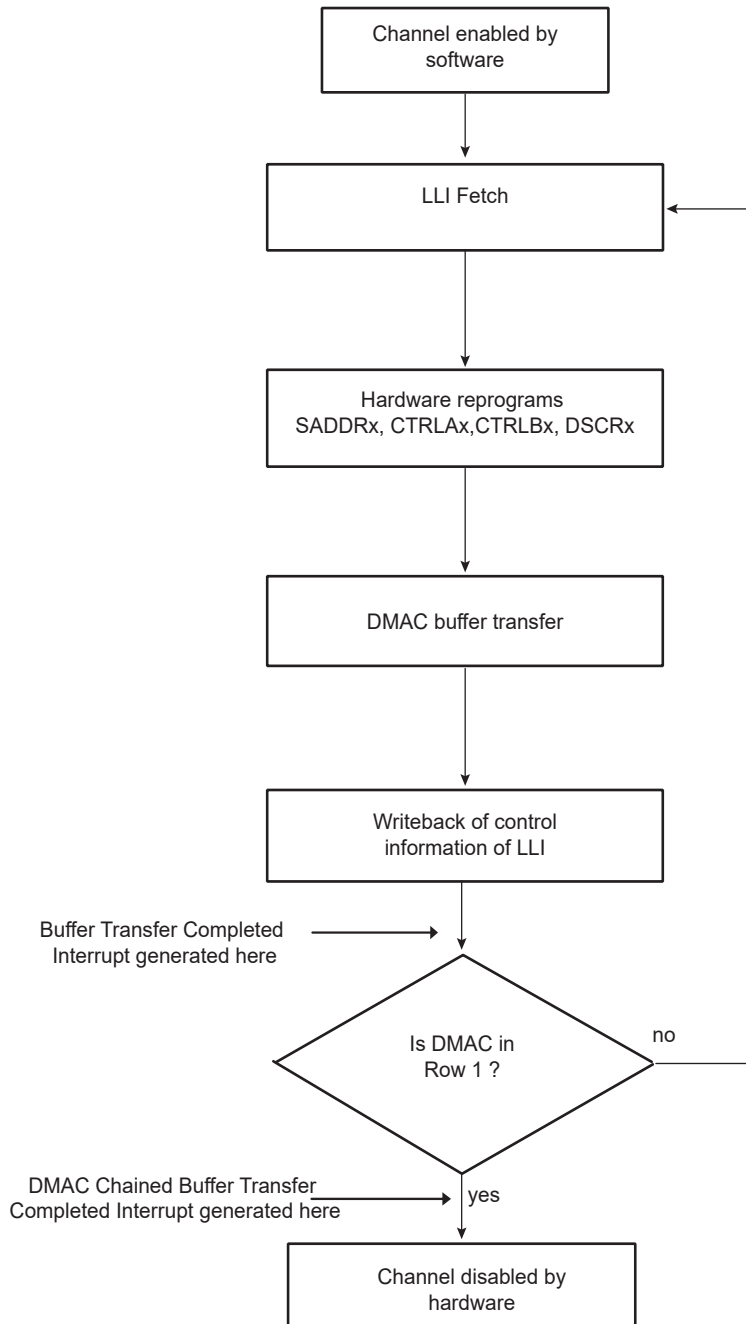
Figure 31-16: DMAC Transfer with Linked List Source Address and Contiguous Destination Address



The DMAC transfer flow is shown in [Figure 31-17 on page 516](#).

SAMA5D3 SERIES

Figure 31-17: DMAC Transfer Flow for Linked List Source Address and Contiguous Destination Address



31.6.6 Disabling a Channel Prior to Transfer Completion

Under normal operation, the software enables a channel by setting the DMAC_CHER.ENAx bit, and the hardware disables a channel on transfer completion by clearing the DMAC_CHSR.ENAx bit.

The recommended way for software to disable a channel without losing data is to use the SUSPx bit in conjunction with the EMPTx bit in the DMAC_CHSR.

1. If the software chooses to disable a channel *n* prior to the DMAC transfer completion, then it can set the DMAC_CHER.SUSPx bit to instruct the DMAC to halt all transfers from the source peripheral. Therefore, the channel FIFO receives no new data.
2. The software can now poll the DMAC_CHSR.EMPTx bit until it indicates that the channel *n* FIFO is empty, where *n* is the channel number.
3. The DMAC_CHER.ENAx bit can then be cleared by software once the channel *n* FIFO is empty, where *n* is the channel number.

When DMAC_CTRLAx.SRC_WIDTH is less than DMAC_CTRLAx.DST_WIDTH and the DMAC_CHSRx.SUSPx bit is high, the DMAC_CHSRx.EMPTx is asserted once the contents of the FIFO does not permit a single word of DMAC_CTRLAx.DST_WIDTH to be formed. However, there may still be data in the channel FIFO but not enough to form a single transfer of DMAC_CTRLAx.DST_WIDTH width. In this configuration, once the channel is disabled, the remaining data in the channel FIFO are not transferred to the destination peripheral. It is permitted to remove the channel from the suspension state by setting the DMAC_CHDR.RESx bit. The DMAC transfer completes in the normal manner. *n* defines the channel number.

Note: If a channel is disabled by software, an active single or chunk transaction is not guaranteed to receive an acknowledgement.

31.6.6.1 Abnormal Transfer Termination

A DMAC transfer may be terminated abruptly by software by clearing the channel enable bit, DMAC_CHER.ENAx, where *x* is the channel number. This does not mean that the channel is disabled immediately after the DMAC_CHSR.ENAx bit is cleared over the APB interface. Consider this as a request to disable the channel. The DMAC_CHSR.ENAx must be polled and then it must be confirmed that the channel is disabled by reading back 0.

The software may terminate all channels abruptly by clearing the general enable bit in the DMAC Enable Register (DMAC_EN.ENABLE). Again, this does not mean that all channels are disabled immediately after the DMAC_EN.ENABLE bit is cleared over the APB slave interface. Consider this as a request to disable all channels. The DMAC_CHSR.ENABLE must be polled and then it must be confirmed that all channels are disabled by reading back '0'.

Note: If the channel enable bit is cleared while there is data in the channel FIFO, this data is not sent to the destination peripheral and is not present when the channel is re-enabled. For read sensitive source peripherals, such as a source FIFO, this data is therefore lost. When the source is not a read sensitive device (i.e., memory), disabling a channel without waiting for the channel FIFO to empty may be acceptable as the data is available from the source peripheral upon request and is not lost.

Note: If a channel is disabled by software, an active single or chunk transaction is not guaranteed to receive an acknowledgement.

31.6.7 Register Write Protection

To prevent any single software error from corrupting DMAC behavior, certain registers in the address space can be write-protected by setting the WPEN bit in the [DMAC Write Protection Mode Register](#) (DMAC_WPMR).

If a write access to a write-protected register is detected, the WPVS bit in the [DMAC Write Protection Status Register](#) (DMAC_WPSR) is set and the field WPVSR indicates the register in which the write access has been attempted.

The WPVS bit is automatically cleared after reading the DMAC_WPSR.

The following registers can be write-protected:

- [DMAC Global Configuration Register](#)
- [DMAC Enable Register](#)
- [DMAC Channel *x* \[*x* = 0..7\] Source Address Register](#)
- [DMAC Channel *x* \[*x* = 0..7\] Destination Address Register](#)
- [DMAC Channel *x* \[*x* = 0..7\] Descriptor Address Register](#)
- [DMAC Channel *x* \[*x* = 0..7\] Control A Register](#)
- [DMAC Channel *x* \[*x* = 0..7\] Control B Register](#)
- [DMAC Channel *x* \[*x* = 0..7\] Configuration Register](#)

31.7 DMAC Software Requirements

- There must not be any write operation to channel registers in an active channel after the channel enable is made HIGH. If any channel parameters must be reprogrammed, this can only be done after disabling the DMAC channel.
- The channel registers DMAC_SADDRx and DMAC_DADDRx must be programmed with a byte, half-word and word aligned address depending on the source width and destination width.
- After the software disables a channel by writing into the DMAC Channel Handler Disable Register, it must re-enable the channel only after it has polled a '0' in the DMAC Channel Handler Status Register. This is because the current AHB Burst must terminate properly.
- If the value of field DMAC_CTRLAx.BTSIZE is configured to zero and the DMAC has been defined as the flow controller, the channel is automatically disabled.
- Multiple transfers involving the same peripheral must not be programmed and enabled on different channels, unless this peripheral integrates several hardware handshaking interfaces.
- When a peripheral has been defined as the flow controller, the targeted DMAC channel must be enabled before the peripheral. If this is not done and the first DMAC request is also the last transfer, the DMAC channel might miss a Last Transfer Flag.
- When the AUTO bit is set to TRUE, the BTSIZE field is automatically reloaded from its previous value. BTSIZE must be initialized to a non-zero value if the first transfer is initiated with the AUTO bit set to TRUE, even if LLI mode is enabled, because the LLI fetch operation will not update this field.

31.8 DMA Controller (DMAC) User Interface

Table 31-5: Register Mapping

Offset	Register	Name	Access	Reset
0x000	DMAC Global Configuration Register	DMAC_GCFG	Read/Write	0x10
0x004	DMAC Enable Register	DMAC_EN	Read/Write	0x0
0x008	DMAC Software Single Request Register	DMAC_SREQ	Read/Write	0x0
0x00C	DMAC Software Chunk Transfer Request Register	DMAC_CREQ	Read/Write	0x0
0x010	DMAC Software Last Transfer Flag Register	DMAC_LAST	Read/Write	0x0
0x014	Reserved	–	–	–
0x018	DMAC Error, Chained Buffer Transfer Completed Interrupt and Buffer Transfer Completed Interrupt Enable Register	DMAC_EBCIER	Write-only	–
0x01C	DMAC Error, Chained Buffer Transfer Completed Interrupt and Buffer Transfer Completed Interrupt Disable Register	DMAC_EBCIDR	Write-only	–
0x020	DMAC Error, Chained Buffer Transfer Completed Interrupt and Buffer transfer completed Mask Register	DMAC_EBCIMR	Read-only	0x0
0x024	DMAC Error, Chained Buffer Transfer Completed Interrupt and Buffer transfer completed Status Register	DMAC_EBCISR	Read-only	0x0
0x028	DMAC Channel Handler Enable Register	DMAC_CHER	Write-only	–
0x02C	DMAC Channel Handler Disable Register	DMAC_CHDR	Write-only	–
0x030	DMAC Channel Handler Status Register	DMAC_CHSR	Read-only	0x00FF0000
0x034–0x038	Reserved	–	–	–
0x03C+ch_num*(0x28)+(0x0)	DMAC Channel Source Address Register	DMAC_SADDR	Read/Write	0x0
0x03C+ch_num*(0x28)+(0x4)	DMAC Channel Destination Address Register	DMAC_DADDR	Read/Write	0x0
0x03C+ch_num*(0x28)+(0x8)	DMAC Channel Descriptor Address Register	DMAC_DSCR	Read/Write	0x0
0x03C+ch_num*(0x28)+(0xC)	DMAC Channel Control A Register	DMAC_CTRLA	Read/Write	0x0
0x03C+ch_num*(0x28)+(0x10)	DMAC Channel Control B Register	DMAC_CTRLB	Read/Write	0x0
0x03C+ch_num*(0x28)+(0x14)	DMAC Channel Configuration Register	DMAC_CFG	Read/Write	0x01000000
0x03C+ch_num*(0x28)+(0x18)	DMAC Channel Source Picture-in-Picture Configuration Register	DMAC_SPIP	Read/Write	0x0
0x03C+ch_num*(0x28)+(0x1C)	DMAC Channel Destination Picture-in-Picture Configuration Register	DMAC_DPIP	Read/Write	0x0
0x03C+ch_num*(0x28)+(0x20)	Reserved	–	–	–
0x03C+ch_num*(0x28)+(0x24)	Reserved	–	–	–
0x1E4	DMAC Write Protection Mode Register	DMAC_WPMR	Read/Write	0x0
0x1E8	DMAC Write Protection Status Register	DMAC_WPSR	Read-only	0x0
0x1EC–0x1FC	Reserved	–	–	–

SAMA5D3 SERIES

31.8.1 DMAC Global Configuration Register

Name: DMAC_GCFG

Address: 0xFFFFE600 (0), 0xFFFFE800 (1)

Access: Read/Write

31	30	29	28	27	26	25	24
–	–	–	–	–	–	–	–
23	22	21	20	19	18	17	16
–	–	–	–	–	–	–	–
15	14	13	12	11	10	9	8
–	–	–	–	–	–	–	DICEN
7	6	5	4	3	2	1	0
–	–	–	ARB_CFG	–	–	–	–

Note: Bit fields 0, 1, 2, and 3 have a default value of 0. This should not be changed.

This register can only be written if the WPEN bit is cleared in [DMAC Write Protection Mode Register](#).

ARB_CFG: Arbiter Configuration

Value	Name	Description
0	FIXED	Fixed priority arbiter (see Basic Definitions)
1	ROUND_ROBIN	Modified round robin arbiter.

DICEN: Descriptor Integrity Check

0: Descriptor Integrity Check Interface is Disabled.

1: Descriptor Integrity Check Interface is Enabled.

31.8.2 DMAC Enable Register

Name: DMAC_EN

Address: 0xFFFFE604 (0), 0xFFFFE804 (1)

Access: Read/Write

31	30	29	28	27	26	25	24
–	–	–	–	–	–	–	–
23	22	21	20	19	18	17	16
–	–	–	–	–	–	–	–
15	14	13	12	11	10	9	8
–	–	–	–	–	–	–	–
7	6	5	4	3	2	1	0
–	–	–	–	–	–	–	ENABLE

This register can only be written if the WPEN bit is cleared in [DMAC Write Protection Mode Register](#).

ENABLE: General Enable of DMA

0: DMA Controller is disabled.

1: DMA Controller is enabled.

SAMA5D3 SERIES

31.8.3 DMAC Software Single Request Register

Name:DMAC_SREQ

Address:0xFFFFE608 (0), 0xFFFFE808 (1)

Access:Read/Write

31	30	29	28	27	26	25	24
–	–	–	–	–	–	–	–
23	22	21	20	19	18	17	16
–	–	–	–	–	–	–	–
15	14	13	12	11	10	9	8
DSREQ7	SSREQ7	DSREQ6	SSREQ6	DSREQ5	SSREQ5	DSREQ4	SSREQ4
7	6	5	4	3	2	1	0
DSREQ3	SSREQ3	DSREQ2	SSREQ2	DSREQ1	SSREQ1	DSREQ0	SSREQ0

DSREQx: Destination Request

Request a destination single transfer on channel i.

SSREQx: Source Request

Request a source single transfer on channel i.

31.8.4 DMAC Software Chunk Transfer Request Register

Name:DMAC_CREQ

Address:0xFFFFE60C (0), 0xFFFFE80C (1)

Access:Read/Write

31	30	29	28	27	26	25	24
–	–	–	–	–	–	–	–
23	22	21	20	19	18	17	16
–	–	–	–	–	–	–	–
15	14	13	12	11	10	9	8
DCREQ7	SCREQ7	DCREQ6	SCREQ6	DCREQ5	SCREQ5	DCREQ4	SCREQ4
7	6	5	4	3	2	1	0
DCREQ3	SCREQ3	DCREQ2	SCREQ2	DCREQ1	SCREQ1	DCREQ0	SCREQ0

DCREQx: Destination Chunk Request

Request a destination chunk transfer on channel i.

SCREQx: Source Chunk Request

Request a source chunk transfer on channel i.

SAMA5D3 SERIES

31.8.5 DMAC Software Last Transfer Flag Register

Name:DMAC_LAST

Address:0xFFFFE610 (0), 0xFFFFE810 (1)

Access:Read/Write

31	30	29	28	27	26	25	24
–	–	–	–	–	–	–	–
23	22	21	20	19	18	17	16
–	–	–	–	–	–	–	–
15	14	13	12	11	10	9	8
DLAST7	SLAST7	DLAST6	SLAST6	DLAST5	SLAST5	DLAST4	SLAST4
7	6	5	4	3	2	1	0
DLAST3	SLAST3	DLAST2	SLAST2	DLAST1	SLAST1	DLAST0	SLAST0

DLASTx: Destination Last

Writing one to DLASTx prior to writing one to DSREQx or DCREQx indicates that this destination request is the last transfer of the buffer.

SLASTx: Source Last

Writing one to SLASTx prior to writing one to SSREQx or SCREQx indicates that this source request is the last transfer of the buffer.

31.8.6 DMAC Error, Buffer Transfer and Chained Buffer Transfer Interrupt Enable Register

Name: DMAC_EBCIER

Address: 0xFFFFE618 (0), 0xFFFFE818 (1)

Access: Write-only

31	30	29	28	27	26	25	24
DICERR7	DICERR6	DICERR5	DICERR4	DICERR3	DICERR2	DICERR1	DICERR0
23	22	21	20	19	18	17	16
ERR7	ERR6	ERR5	ERR4	ERR3	ERR2	ERR1	ERR0
15	14	13	12	11	10	9	8
CBTC7	CBTC6	CBTC5	CBTC4	CBTC3	CBTC2	CBTC1	CBTC0
7	6	5	4	3	2	1	0
BTC7	BTC6	BTC5	BTC4	BTC3	BTC2	BTC1	BTC0

BTCx: Buffer Transfer Completed [7:0]

Buffer Transfer Completed Interrupt Enable Register. Set the relevant bit in the BTC field to enable the interrupt for channel i.

CBTCx: Chained Buffer Transfer Completed [7:0]

Chained Buffer Transfer Completed Interrupt Enable Register. Set the relevant bit in the CBTC field to enable the interrupt for channel i.

ERRx: Access Error [7:0]

Access Error Interrupt Enable Register. Set the relevant bit in the ERR field to enable the interrupt for channel i.

DICERRx: Descriptor Integrity Check Error [7:0]

Descriptor Integrity Check Error Interrupt Enable Register. Set the relevant bit in the DICERR field to enable the interrupt for channel i.

SAMA5D3 SERIES

31.8.7 DMAC Error, Buffer Transfer and Chained Buffer Transfer Interrupt Disable Register

Name: DMAC_EBCIDR

Address: 0xFFFFE61C (0), 0xFFFFE81C (1)

Access: Write-only

31	30	29	28	27	26	25	24
DICERR7	DICERR6	DICERR5	DICERR4	DICERR3	DICERR2	DICERR1	DICERR0
23	22	21	20	19	18	17	16
ERR7	ERR6	ERR5	ERR4	ERR3	ERR2	ERR1	ERR0
15	14	13	12	11	10	9	8
CBTC7	CBTC6	CBTC5	CBTC4	CBTC3	CBTC2	CBTC1	CBTC0
7	6	5	4	3	2	1	0
BTC7	BTC6	BTC5	BTC4	BTC3	BTC2	BTC1	BTC0

BTCx: Buffer Transfer Completed [7:0]

Buffer transfer completed Disable Interrupt Register. When set, a bit of the BTC field disables the interrupt from the relevant DMAC channel.

CBTCx: Chained Buffer Transfer Completed [7:0]

Chained Buffer transfer completed Disable Register. When set, a bit of the CBTC field disables the interrupt from the relevant DMAC channel.

ERRx: Access Error [7:0]

Access Error Interrupt Disable Register. When set, a bit of the ERR field disables the interrupt from the relevant DMAC channel.

DICERRx: Descriptor Integrity Check Error [7:0]

Descriptor Integrity Check Error Interrupt Disable Register, When set, a bit of the DICERR field disables the interrupt from the relevant DMAC channel.

31.8.8 DMAC Error, Buffer Transfer and Chained Buffer Transfer Interrupt Mask Register

Name:DMAC_EBCIMR

Address:0xFFFFE620 (0), 0xFFFFE820 (1)

Access: Read-only

31	30	29	28	27	26	25	24
DICERR7	DICERR6	DICERR5	DICERR4	DICERR3	DICERR2	DICERR1	DICERR0
23	22	21	20	19	18	17	16
ERR7	ERR6	ERR5	ERR4	ERR3	ERR2	ERR1	ERR0
15	14	13	12	11	10	9	8
CBTC7	CBTC6	CBTC5	CBTC4	CBTC3	CBTC2	CBTC1	CBTC0
7	6	5	4	3	2	1	0
BTC7	BTC6	BTC5	BTC4	BTC3	BTC2	BTC1	BTC0

BTCx: Buffer Transfer Completed [7:0]

0: Buffer Transfer Completed Interrupt is disabled for channel i.

1: Buffer Transfer Completed Interrupt is enabled for channel i.

CBTCx: Chained Buffer Transfer Completed [7:0]

0: Chained Buffer Transfer interrupt is disabled for channel i.

1: Chained Buffer Transfer interrupt is enabled for channel i.

ERRx: Access Error [7:0]

0: Transfer Error Interrupt is disabled for channel i.

1: Transfer Error Interrupt is enabled for channel i.

DICERRx: Descriptor Integrity Check Error [7:0]

0: Descriptor Integrity Check Error Interrupt is disabled for channel i.

1: Descriptor Integrity Check Error Interrupt is enabled for channel i.

SAMA5D3 SERIES

31.8.9 DMAC Error, Buffer Transfer and Chained Buffer Transfer Status Register

Name:DMAC_EBCISR

Address:0xFFFFE624 (0), 0xFFFFE824 (1)

Access:Read-only

31	30	29	28	27	26	25	24
DICERR7	DICERR6	DICERR5	DICERR4	DICERR3	DICERR2	DICERR1	DICERR0
23	22	21	20	19	18	17	16
ERR7	ERR6	ERR5	ERR4	ERR3	ERR2	ERR1	ERR0
15	14	13	12	11	10	9	8
CBTC7	CBTC6	CBTC5	CBTC4	CBTC3	CBTC2	CBTC1	CBTC0
7	6	5	4	3	2	1	0
BTC7	BTC6	BTC5	BTC4	BTC3	BTC2	BTC1	BTC0

BTCx: Buffer Transfer Completed [7:0]

When BTC[*i*] is set, Channel *i* buffer transfer has terminated.

CBTCx: Chained Buffer Transfer Completed [7:0]

When CBTC[*i*] is set, Channel *i* Chained buffer has terminated. LLI Fetch operation is disabled.

ERRx: Access Error [7:0]

When ERR[*i*] is set, Channel *i* has detected an AHB Read or Write Error Access.

DICERRx: Descriptor Integrity Check Error [7:0]

When DICERR[*i*] is set, Channel *i* has detected a Descriptor Integrity Check Error.

31.8.10 DMAC Channel Handler Enable Register

Name: DMAC_CHER

Address: 0xFFFFFE628 (0), 0xFFFFFE828 (1)

Access: Write-only

31	30	29	28	27	26	25	24
KEEP7	KEEP6	KEEP5	KEEP4	KEEP3	KEEP2	KEEP1	KEEP0
23	22	21	20	19	18	17	16
–	–	–	–	–	–	–	–
15	14	13	12	11	10	9	8
SUSP7	SUSP6	SUSP5	SUSP4	SUSP3	SUSP2	SUSP1	SUSP0
7	6	5	4	3	2	1	0
ENA7	ENA6	ENA5	ENA4	ENA3	ENA2	ENA1	ENA0

ENAx: Enable [7:0]

When set, a bit of the ENA field enables the relevant channel.

SUSPx: Suspend [7:0]

When set, a bit of the SUSP field freezes the relevant channel and its current context.

KEEPx: Keep on [7:0]

When set, a bit of the KEEP field resumes the current channel from an automatic stall state.

SAMA5D3 SERIES

31.8.11 DMAC Channel Handler Disable Register

Name: DMAC_CHDR

Address: 0xFFFFFE62C (0), 0xFFFFFE82C (1)

Access: Write-only

31	30	29	28	27	26	25	24
–	–	–	–	–	–	–	–
23	22	21	20	19	18	17	16
–	–	–	–	–	–	–	–
15	14	13	12	11	10	9	8
RES7	RES6	RES5	RES4	RES3	RES2	RES1	RES0
7	6	5	4	3	2	1	0
DIS7	DIS6	DIS5	DIS4	DIS3	DIS2	DIS1	DIS0

DISx: Disable [7:0]

Write one to this field to disable the relevant DMAC Channel. The content of the FIFO is lost and the current AHB access is terminated. Software must poll DIS[7:0] field in the DMAC_CHSR register to be sure that the channel is disabled.

RESx: Resume [7:0]

Write one to this field to resume the channel transfer restoring its context.

31.8.12 DMAC Channel Handler Status Register

Name:DMAC_CHSR

Address:0xFFFFE630 (0), 0xFFFFE830 (1)

Access:Read-only

31	30	29	28	27	26	25	24
STAL7	STAL6	STAL5	STAL4	STAL3	STAL2	STAL1	STAL0
23	22	21	20	19	18	17	16
EMPT7	EMPT6	EMPT5	EMPT4	EMPT3	EMPT2	EMPT1	EMPT0
15	14	13	12	11	10	9	8
SUSP7	SUSP6	SUSP5	SUSP4	SUSP3	SUSP2	SUSP1	SUSP0
7	6	5	4	3	2	1	0
ENA7	ENA6	ENA5	ENA4	ENA3	ENA2	ENA1	ENA0

ENAx: Enable [7:0]

A one in any position of this field indicates that the relevant channel is enabled.

SUSPx: Suspend [7:0]

A one in any position of this field indicates that the channel transfer is suspended.

EMPTx: Empty [7:0]

A one in any position of this field indicates that the relevant channel is empty.

STALx: Stalled [7:0]

A one in any position of this field indicates that the relevant channel is stalling.

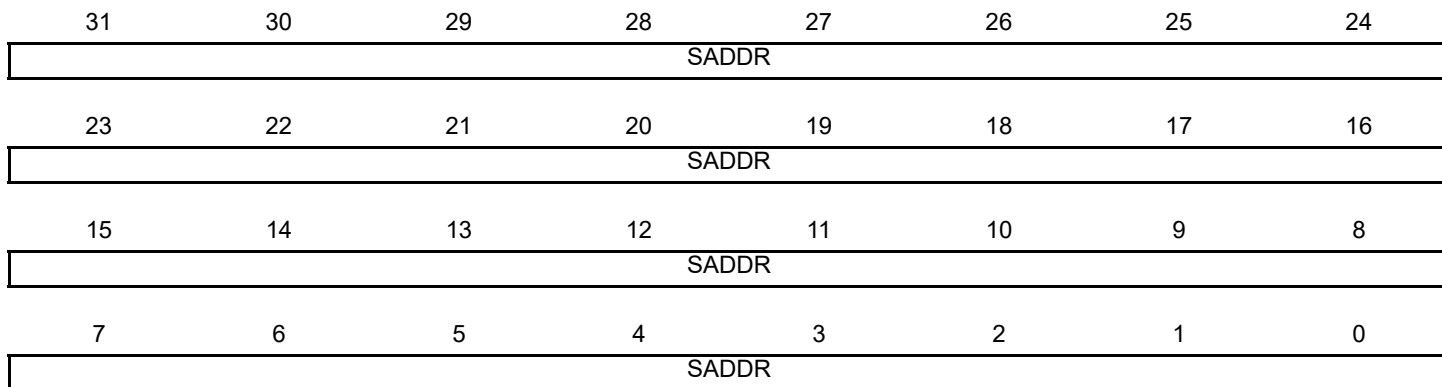
SAMA5D3 SERIES

31.8.13 DMAC Channel x [x = 0..7] Source Address Register

Name:DMAC_SADDRx [x = 0..7]

Address:0xFFFFE63C (0)[0], 0xFFFFE664 (0)[1], 0xFFFFE68C (0)[2], 0xFFFFE6B4 (0)[3], 0xFFFFE6DC (0)[4],
0xFFFFE704 (0)[5], 0xFFFFE72C (0)[6], 0xFFFFE754 (0)[7], 0xFFFFE83C (1)[0], 0xFFFFE864 (1)[1],
0xFFFFE88C (1)[2], 0xFFFFE8B4 (1)[3], 0xFFFFE8DC (1)[4], 0xFFFFE904 (1)[5], 0xFFFFE92C (1)[6],
0xFFFFE954 (1)[7]

Access: Read/Write



This register can only be written if the WPEN bit is cleared in [DMAC Write Protection Mode Register](#).

SADDR: Channel x Source Address

This register must be aligned with the source transfer width.

31.8.14 DMAC Channel x [x = 0..7] Destination Address Register

Name:DMAC_DADDRx [x = 0..7]

Address:0xFFFFFE640 (0)[0], 0xFFFFFE668 (0)[1], 0xFFFFFE690 (0)[2], 0xFFFFFE6B8 (0)[3], 0xFFFFFE6E0 (0)[4], 0xFFFFFE708 (0)[5], 0xFFFFFE730 (0)[6], 0xFFFFFE758 (0)[7], 0xFFFFFE840 (1)[0], 0xFFFFFE868 (1)[1], 0xFFFFFE890 (1)[2], 0xFFFFFE8B8 (1)[3], 0xFFFFFE8E0 (1)[4], 0xFFFFFE908 (1)[5], 0xFFFFFE930 (1)[6], 0xFFFFFE958 (1)[7]

Access:Read/Write

31	30	29	28	27	26	25	24
DADDR							
23	22	21	20	19	18	17	16
DADDR							
15	14	13	12	11	10	9	8
DADDR							
7	6	5	4	3	2	1	0
DADDR							

This register can only be written if the WPEN bit is cleared in [DMAC Write Protection Mode Register](#).

DADDR: Channel x Destination Address

This register must be aligned with the destination transfer width.

SAMA5D3 SERIES

31.8.15 DMAC Channel x [x = 0..7] Descriptor Address Register

Name: DMAC_DSCRx [x = 0..7]

Address: 0xFFFFE644 (0)[0], 0xFFFFE66C (0)[1], 0xFFFFE694 (0)[2], 0xFFFFE6BC (0)[3], 0xFFFFE6E4 (0)[4], 0xFFFFE70C (0)[5], 0xFFFFE734 (0)[6], 0xFFFFE75C (0)[7], 0xFFFFE844 (1)[0], 0xFFFFE86C (1)[1], 0xFFFFE894 (1)[2], 0xFFFFE8BC (1)[3], 0xFFFFE8E4 (1)[4], 0xFFFFE90C (1)[5], 0xFFFFE934 (1)[6], 0xFFFFE95C (1)[7]

Access: Read/Write

31	30	29	28	27	26	25	24
DSCR							
23	22	21	20	19	18	17	16
DSCR							
15	14	13	12	11	10	9	8
DSCR							
7	6	5	4	3	2	1	0
DSCR						DSCR_IF	

This register can only be written if the WPEN bit is cleared in [DMAC Write Protection Mode Register](#).

DSCR_IF: Descriptor Interface Selection

Value	Name	Description
0	AHB_IF0	The buffer transfer descriptor is fetched via AHB-Lite Interface 0 (first DMA Master Interface)
1	AHB_IF1	The buffer transfer descriptor is fetched via AHB-Lite Interface 1 (second DMA Master Interface)
2	AHB_IF2	The buffer transfer descriptor is fetched via AHB-Lite Interface 2 (third DMA Master Interface)

DSCR: Buffer Transfer Descriptor Address

This address is word aligned.

31.8.16 DMAC Channel x [x = 0..7] Control A Register

Name: DMAC_CTRLAx [x = 0..7]

Address: 0xFFFFFE648 (0)[0], 0xFFFFFE670 (0)[1], 0xFFFFFE698 (0)[2], 0xFFFFFE6C0 (0)[3], 0xFFFFFE6E8 (0)[4], 0xFFFFFE710 (0)[5], 0xFFFFFE738 (0)[6], 0xFFFFFE760 (0)[7], 0xFFFFFE848 (1)[0], 0xFFFFFE870 (1)[1], 0xFFFFFE898 (1)[2], 0xFFFFFE8C0 (1)[3], 0xFFFFFE8E8 (1)[4], 0xFFFFFE910 (1)[5], 0xFFFFFE938 (1)[6], 0xFFFFFE960 (1)[7]

Access: Read/Write

31	30	29	28	27	26	25	24
DONE	–	DST_WIDTH		–	–	SRC_WIDTH	
23	22	21	20	19	18	17	16
–	DCSIZE			–	SCSIZE		
15	14	13	12	11	10	9	8
BTSIZE							
7	6	5	4	3	2	1	0
BTSIZE							

This register can only be written if the WPEN bit is cleared in [DMAC Write Protection Mode Register](#).

BTSIZE: Buffer Transfer Size

The transfer size relates to the number of transfers to be performed, that is, for writes it refers to the number of source width transfers to perform when DMAC is flow controller. For reads, BTSIZE refers to the number of transfers completed on the Source Interface. When this field is cleared, the DMAC module is automatically disabled when the relevant channel is enabled.

SCSIZE: Source Chunk Transfer Size

Value	Name	Description
000	CHK_1	1 data transferred
001	CHK_4	4 data transferred
010	CHK_8	8 data transferred
011	CHK_16	16 data transferred

DCSIZE: Destination Chunk Transfer Size

Value	Name	Description
000	CHK_1	1 data transferred
001	CHK_4	4 data transferred
010	CHK_8	8 data transferred
011	CHK_16	16 data transferred

SRC_WIDTH: Transfer Width for the Source

Value	Name	Description
00	BYTE	The transfer size is set to 8-bit width
01	HALF_WORD	The transfer size is set to 16-bit width
10	WORD	The transfer size is set to 32-bit width
11	DWORD	The transfer size is set to 64-bit width

SAMA5D3 SERIES

DST_WIDTH: Transfer Width for the Destination

Value	Name	Description
00	BYTE	The transfer size is set to 8-bit width
01	HALF_WORD	The transfer size is set to 16-bit width
10	WORD	The transfer size is set to 32-bit width
11	DWORD	The transfer size is set to 64-bit width

DONE: Current Descriptor Stop Command and Transfer Completed Memory Indicator

0: The transfer is performed.

1: If SOD bit in DMAC_CFG is set to true, then the DMAC is automatically disabled when an LLI updates the content of this register.

The DONE bit is written back to memory at the end of the current descriptor transfer.

31.8.17 DMAC Channel x [x = 0..7] Control B Register

Name:DMAC_CTRLBx [x = 0..7]

Address:0xFFFFFE64C (0)[0], 0xFFFFFE674 (0)[1], 0xFFFFFE69C (0)[2], 0xFFFFFE6C4 (0)[3], 0xFFFFFE6EC (0)[4], 0xFFFFFE714 (0)[5], 0xFFFFFE73C (0)[6], 0xFFFFFE764 (0)[7], 0xFFFFFE84C (1)[0], 0xFFFFFE874 (1)[1], 0xFFFFFE89C (1)[2], 0xFFFFFE8C4 (1)[3], 0xFFFFFE8EC (1)[4], 0xFFFFFE914 (1)[5], 0xFFFFFE93C (1)[6], 0xFFFFFE964 (1)[7]

Access:Read/Write

31	30	29	28	27	26	25	24
AUTO	IEN	DST_INCR		–	–	SRC_INCR	
23	22	21	20	19	18	17	16
–	FC		DST_DSCR	–	–	–	SRC_DSCR
15	14	13	12	11	10	9	8
–	–	–	DST_PIP	–	–	–	SRC_PIP
7	6	5	4	3	2	1	0
–	–	DIF		–	–	SIF	

This register can only be written if the WPEN bit is cleared in [DMAC Write Protection Mode Register](#).

SIF: Source Interface Selection Field

Value	Name	Description
0	AHB_IF0	The source transfer is done via AHB_Lite Interface 0 (first DMA Master Interface)
1	AHB_IF1	The source transfer is done via AHB_Lite Interface 1 (second DMA Master Interface)
2	AHB_IF2	The source transfer is done via AHB_Lite Interface 2 (third DMA Master Interface)

DIF: Destination Interface Selection Field

Value	Name	Description
0	AHB_IF0	The destination transfer is done via AHB_Lite Interface 0 (first DMA Master Interface)
1	AHB_IF1	The destination transfer is done via AHB_Lite Interface 1 (second DMA Master Interface)
2	AHB_IF2	The destination transfer is done via AHB_Lite Interface 2 (third DMA Master Interface)

SRC_PIP: Source Picture-in-Picture Mode

0 (DISABLE): Picture-in-Picture mode is disabled. The source data area is contiguous.

1 (ENABLE): Picture-in-Picture mode is enabled. When the source PIP counter reaches the programmable boundary, the address is automatically incremented by a user defined amount.

DST_PIP: Destination Picture-in-Picture Mode

0 (DISABLE): Picture-in-Picture mode is disabled. The Destination data area is contiguous.

1 (ENABLE): Picture-in-Picture mode is enabled. When the Destination PIP counter reaches the programmable boundary the address is automatically incremented by a user-defined amount.

SRC_DSCR: Source Address Descriptor

0 (FETCH_FROM_MEM): Source address is updated when the descriptor is fetched from the memory.

1 (FETCH_DISABLE): Buffer Descriptor Fetch operation is disabled for the source.

SAMA5D3 SERIES

DST_DSCR: Destination Address Descriptor

0 (FETCH_FROM_MEM): Destination address is updated when the descriptor is fetched from the memory.

1 (FETCH_DISABLE): Buffer Descriptor Fetch operation is disabled for the destination.

FC: Flow Control

This field defines which device controls the size of the buffer transfer, also referred to as the Flow Controller.

Value	Name	Description
00	MEM2MEM_DMA_FC	Memory-to-Memory Transfer DMAC is flow controller
01	MEM2PER_DMA_FC	Memory-to-Peripheral Transfer DMAC is flow controller
10	PER2MEM_DMA_FC	Peripheral-to-Memory Transfer DMAC is flow controller
11	PER2PER_DMA_FC	Peripheral-to-Peripheral Transfer DMAC is flow controller

SRC_INCR: Incrementing, Decrementing or Fixed Address for the Source

Value	Name	Description
00	INCREMENTING	The source address is incremented
01	DECREMENTING	The source address is decremented
10	FIXED	The source address remains unchanged

DST_INCR: Incrementing, Decrementing or Fixed Address for the Destination

Value	Name	Description
00	INCREMENTING	The destination address is incremented
01	DECREMENTING	The destination address is decremented
10	FIXED	The destination address remains unchanged

IEN: Interrupt Enable Not

0: When the buffer transfer is completed, the BTCx flag is set in the DMAC_EBCISR. This bit is active low.

1: When the buffer transfer is completed, the BTCx flag is not set.

If this bit is cleared, when the buffer transfer is completed, the BTCx flag is set in the DMAC_EBCISR.

AUTO: Automatic Multiple Buffer Transfer

0 (DISABLE): Automatic multiple buffer transfer is disabled.

1 (ENABLE): Automatic multiple buffer transfer is enabled. This bit enables replay mode or contiguous mode when several buffers are transferred.

31.8.18 DMAC Channel x [x = 0..7] Configuration Register

Name: DMAC_CFGx [x = 0..7]

Address: 0xFFFFFE650 (0)[0], 0xFFFFFE678 (0)[1], 0xFFFFFE6A0 (0)[2], 0xFFFFFE6C8 (0)[3], 0xFFFFFE6F0 (0)[4], 0xFFFFFE718 (0)[5], 0xFFFFFE740 (0)[6], 0xFFFFFE768 (0)[7], 0xFFFFFE850 (1)[0], 0xFFFFFE878 (1)[1], 0xFFFFFE8A0 (1)[2], 0xFFFFFE8C8 (1)[3], 0xFFFFFE8F0 (1)[4], 0xFFFFFE918 (1)[5], 0xFFFFFE940 (1)[6], 0xFFFFFE968 (1)[7]

Access: Read/Write

31	30	29	28	27	26	25	24
–	–	FIFOCFG		–	AHB_PROT		
23	22	21	20	19	18	17	16
–	LOCK_IF_L	LOCK_B	LOCK_IF	–	–	–	SOD
15	14	13	12	11	10	9	8
DST_PER_MSB		DST_H2SEL	DST_REP	SRC_PER_MSB		SRC_H2SEL	SRC_REP
7	6	5	4	3	2	1	0
DST_PER				SRC_PER			

This register can only be written if the WPEN bit is cleared in [DMAC Write Protection Mode Register](#)

SRC_PER: Source with Peripheral identifier

Channel x Source Request is associated with peripheral identifier coded SRC_PER handshaking interface.

DST_PER: Destination with Peripheral identifier

Channel x Destination Request is associated with peripheral identifier coded DST_PER handshaking interface.

SRC_REP: Source Reloaded from Previous

0 (CONTIGUOUS_ADDR): When automatic mode is activated, source address is contiguous between two buffers.

1 (RELOAD_ADDR): When automatic mode is activated, the source address and the control register are reloaded from previous transfer.

SRC_H2SEL: Software or Hardware Selection for the Source

0 (SW): Software handshaking interface is used to trigger a transfer request.

1 (HW): Hardware handshaking interface is used to trigger a transfer request.

SRC_PER_MSB: SRC_PER Most Significant Bits

This field indicates the Most Significant bits of the SRC_PER field.

DST_REP: Destination Reloaded from Previous

0 (CONTIGUOUS_ADDR): When automatic mode is activated, destination address is contiguous between two buffers.

1 (RELOAD_ADDR): When automatic mode is activated, the destination and the control register are reloaded from the previous transfer.

DST_H2SEL: Software or Hardware Selection for the Destination

0 (SW): Software handshaking interface is used to trigger a transfer request.

1 (HW): Hardware handshaking interface is used to trigger a transfer request.

DST_PER_MSB: DST_PER Most Significant Bits

This field indicates the Most Significant bits of the DST_PER field.

SOD: Stop On Done

0 (DISABLE): STOP ON DONE disabled, the descriptor fetch operation ignores the DMAC_CTRLAx.DONE bit.

1 (ENABLE): STOP ON DONE activated, the DMAC module is automatically disabled if DMAC_CTRLAx.DONE bit is set.

SAMA5D3 SERIES

LOCK_IF: Interface Lock

0 (DISABLE): Interface Lock capability is disabled

1 (ENABLE): Interface Lock capability is enabled

LOCK_B: Bus Lock

0 (DISABLE): AHB Bus Locking capability is disabled.

1(ENABLE): AHB Bus Locking capability is enabled.

LOCK_IF_L: Master Interface Arbiter Lock

0 (CHUNK): The Master Interface Arbiter is locked by the channel x for a chunk transfer.

1 (BUFFER): The Master Interface Arbiter is locked by the channel x for a buffer transfer.

AHB_PROT: AHB Protection

AHB_PROT field provides additional information about a bus access and is primarily used to implement some level of protection.

HPROT[3]	HPROT[2]	HPROT[1]	HPROT[0]	Description
			1	Data access
		AHB_PROT[0]		0: User Access 1: Privileged Access
	AHB_PROT[1]			0: Not Bufferable 1: Bufferable
AHB_PROT[2]				0: Not cacheable 1: Cacheable

FIFOCFG: FIFO Configuration

Value	Name	Description
00	ALAP_CFG	The largest defined length AHB burst is performed on the destination AHB interface.
01	HALF_CFG	When half FIFO size is available/filled, a source/destination request is serviced.
10	ASAP_CFG	When there is enough space/data available to perform a single AHB access, then the request is serviced.

31.8.19 DMAC Channel x [x = 0..7] Source Picture-in-Picture Configuration Register

Name: DMAC_SPIP_x [x = 0..7]

Address: 0xFFFFE654 (0)[0], 0xFFFFE67C (0)[1], 0xFFFFE6A4 (0)[2], 0xFFFFE6CC (0)[3], 0xFFFFE6F4 (0)[4], 0xFFFFE71C (0)[5], 0xFFFFE744 (0)[6], 0xFFFFE76C (0)[7], 0xFFFFE854 (1)[0], 0xFFFFE87C (1)[1], 0xFFFFE8A4 (1)[2], 0xFFFFE8CC (1)[3], 0xFFFFE8F4 (1)[4], 0xFFFFE91C (1)[5], 0xFFFFE944 (1)[6], 0xFFFFE96C (1)[7]

Access: Read/Write

31	30	29	28	27	26	25	24
-	-	-	-	-	-	SPIP_BOUNDARY	
23	22	21	20	19	18	17	16
SPIP_BOUNDARY							
15	14	13	12	11	10	9	8
SPIP_HOLE							
7	6	5	4	3	2	1	0
SPIP_HOLE							

SPIP_HOLE: Source Picture-in-Picture Hole

This field indicates the value to add to the address when the programmable boundary has been reached.

SPIP_BOUNDARY: Source Picture-in-Picture Boundary

This field indicates the number of source transfers to perform before the automatic address increment operation.

SAMA5D3 SERIES

31.8.20 DMAC Channel x [x = 0..7] Destination Picture-in-Picture Configuration Register

Name:DMAC_DPIP_x [x = 0..7]

Address:0xFFFFE658 (0)[0], 0xFFFFE680 (0)[1], 0xFFFFE6A8 (0)[2], 0xFFFFE6D0 (0)[3], 0xFFFFE6F8 (0)[4], 0xFFFFE720 (0)[5], 0xFFFFE748 (0)[6], 0xFFFFE770 (0)[7], 0xFFFFE858 (1)[0], 0xFFFFE880 (1)[1], 0xFFFFE8A8 (1)[2], 0xFFFFE8D0 (1)[3], 0xFFFFE8F8 (1)[4], 0xFFFFE920 (1)[5], 0xFFFFE948 (1)[6], 0xFFFFE970 (1)[7]

Access:Read/Write

31	30	29	28	27	26	25	24
–	–	–	–	–	–	DPIP_BOUNDARY	
23	22	21	20	19	18	17	16
DPIP_BOUNDARY							
15	14	13	12	11	10	9	8
DPIP_HOLE							
7	6	5	4	3	2	1	0
DPIP_HOLE							

DPIP_HOLE: Destination Picture-in-Picture Hole

This field indicates the value to add to the address when the programmable boundary has been reached.

DPIP_BOUNDARY: Destination Picture-in-Picture Boundary

This field indicates the number of source transfers to perform before the automatic address increment operation.

31.8.21 DMAC Write Protection Mode Register

Name:DMAC_WPMR

Address:0xFFFFFE7E4 (0), 0xFFFFFE9E4 (1)

Access:Read/Write

31	30	29	28	27	26	25	24
WPKEY							
23	22	21	20	19	18	17	16
WPKEY							
15	14	13	12	11	10	9	8
WPKEY							
7	6	5	4	3	2	1	0
–	–	–	–	–	–	–	WPEN

WPEN: Write Protection Enable

0: Disables the Write Protection if WPKEY corresponds to 0x444D41 (“DMA” in ASCII).

1: Enables the Write Protection if WPKEY corresponds to 0x444D41 (“DMA” in ASCII).

See [Section 31.6.7 Register Write Protection](#) for the list of registers that can be write-protected.

WPKEY: Write Protection Key

Value	Name	Description
0x444D41	PASSWD	Writing any other value in this field aborts the write operation of the WPEN bit. Always reads as 0.

SAMA5D3 SERIES

31.8.22 DMAC Write Protection Status Register

Name:DMAC_WPSR

Address:0xFFFFE7E8 (0), 0xFFFFE9E8 (1)

Access:Read-only

31	30	29	28	27	26	25	24
–	–	–	–	–	–	–	–
23	22	21	20	19	18	17	16
WPVSRC							
15	14	13	12	11	10	9	8
WPVSRC							
7	6	5	4	3	2	1	0
–	–	–	–	–	–	–	WPVS

WPVS: Write Protection Violation Status

0: No write protection violation has occurred since the last read of the DMAC_WPSR.

1: A write protection violation has occurred since the last read of the DMAC_WPSR. If this violation is an unauthorized attempt to write a protected register, the associated violation is reported into field WPVSRC.

WPVSRC: Write Protection Violation Source

When WPVS = 1, WPVSRC indicates the register address offset at which a write access has been attempted.

32. LCD Controller (LCDC)

32.1 Description

The LCD Controller (LCDC) consists of logic for transferring LCD image data from an external display buffer to an LCD module. The LCD has one display input buffer per overlay that fetches pixels through the dual AHB master interface and a lookup table to allow palletized display configurations. The LCD controller is programmable on a per overlay basis, and supports different LCD resolutions, window sizes, image formats and pixel depths.

The LCD is connected to the ARM Advanced High Performance Bus (AHB) as a master for reading pixel data. It also integrates an APB interface to configure its registers.

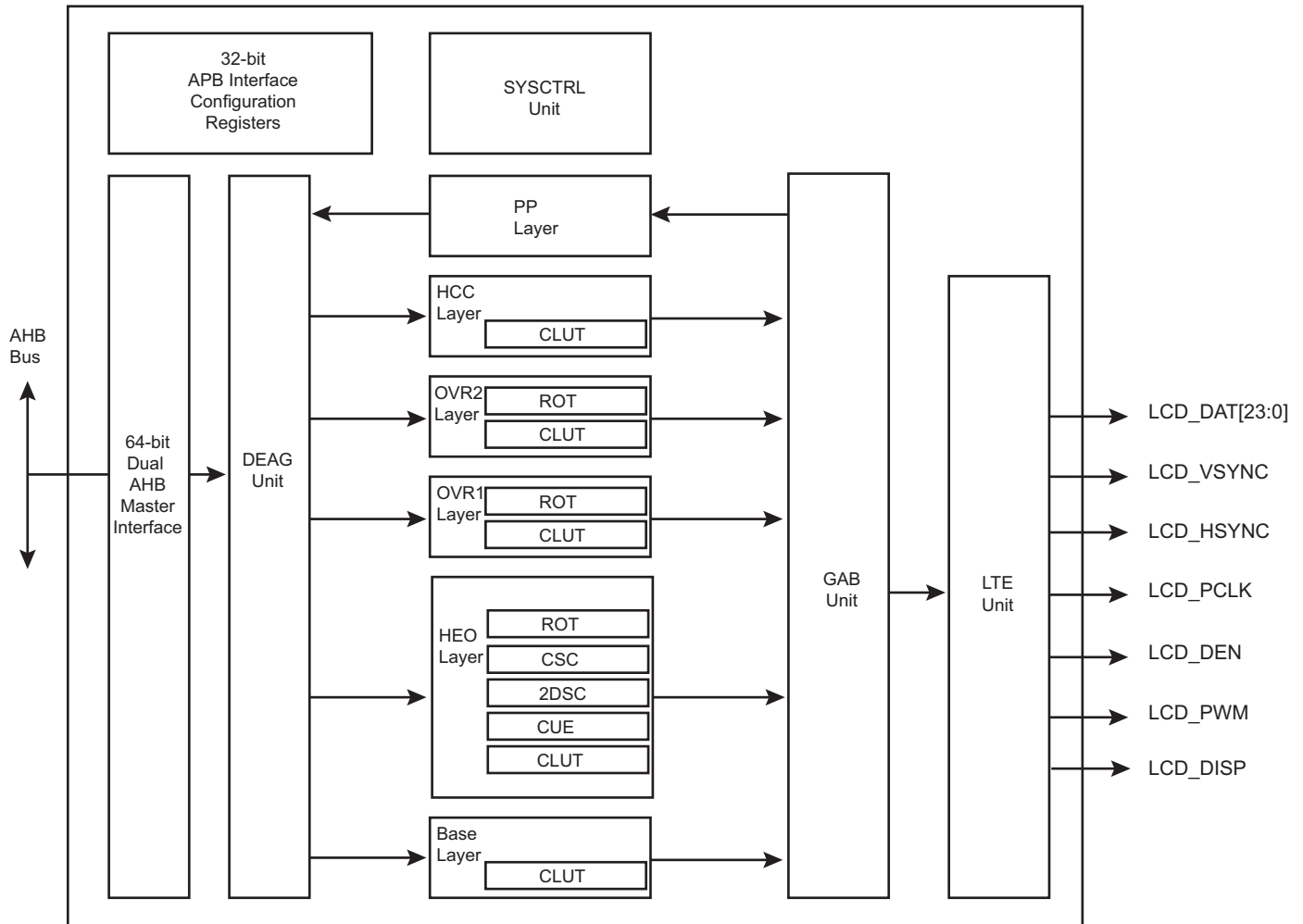
32.2 Embedded Characteristics

- Dual AHB Master Interface
- Supports Single Scan Active TFT Display
- Supports 12-, 16-, 18- and 24-bit Output Mode through the Spatial Dithering Unit
- Asynchronous Output Mode Supported (at synthesis time)
- 1, 2, 4, 8 bits per Pixel (Palletized)
- 12, 16, 18, 19, 24, 25 and 32 bits per Pixel (Non-palletized)
- Supports One Base Layer (Background)
- Supports Two Overlay Layer Windows
- Supports One High End Overlay (HEO) Window
- Supports One Hardware Cursor, Fixed or Free Size
- Hardware Cursor Fixed Size on the following patterns: 32x32, 64x64 and 128x128
- Little Endian Memory Organization
- Programmable Timing Engine, with Integer Clock Divider
- Programmable Polarity for Data, Line Synchro and Frame Synchro
- Display Size up to 2048x2048, or up to 720p in video format
- Color Lookup Table with up to 256 Entries and Predefined 8-bit Alpha
- Programmable Negative and Positive Row Striding for all Layers
- Programmable Negative and Positive Pixel Striding for all Overlay1, Overlay2 and HEO Layers
- High End Overlay supports 4:2:0 Planar Mode and Semiplanar Mode
- High End Overlay supports 4:2:2 Planar Mode, Semiplanar Mode and Packed
- High End Overlay includes Chroma Upsampling Unit
- Horizontal and Vertical Rescaling unit with Edge Interpolation and Independent Non-Integer Ratio
- Hidden Layer Removal supported
- Integrates Fully Programmable Color Space Conversion
- Overlay1, Overlay2 and High End Overlay Integrate Rotation Engine: 90, 180, 270
- Blender Function Supports Arbitrary 8-bit Alpha Value and Chroma Keying
- DMA User Interface uses Linked List Structure and Add-to-queue Structure

SAMA5D3 SERIES

32.3 Block Diagram

Figure 32-1: Block Diagram



HEO: High End Overlay	HCC: Hardware Cursor Channel
CUE: Chroma Upsampling Engine	GAB: Global Alpha Blender
CSC: Color Space Conversion	LTE: LCD Timing Engine
2DSC: Two Dimension Scaler	ROT: Hardware Rotation
DEAG: DMA Engine Address Generation	OVRx: Overlay

32.4 I/O Lines Description

Table 32-1: I/O Lines Description

Name	Description	Type
LCD_PWM	Contrast control signal, using Pulse Width Modulation	Output
LCD_HSYNC	Horizontal Synchronization Pulse	Output
LCD_VSYNC	Vertical Synchronization Pulse	Output
LCD_DAT[23:0]	LCD 24-bit data bus	Output
LCD_DEN	Data Enable	Output
LCD_DISP	Display Enable signal	Output
LCD_PCLK	Pixel Clock	Output

32.5 Product Dependencies

32.5.1 I/O Lines

The pins used for interfacing the LCD Controller may be multiplexed with PIO lines. The programmer must first program the PIO Controller to assign the pins to their peripheral function. If I/O lines of the LCD Controller are not used by the application, they can be used for other purposes by the PIO Controller.

Table 32-2: I/O Lines

Instance	Signal	I/O Line	Peripheral
LCDC	LCDDAT0	PA0	A
LCDC	LCDDAT1	PA1	A
LCDC	LCDDAT2	PA2	A
LCDC	LCDDAT3	PA3	A
LCDC	LCDDAT4	PA4	A
LCDC	LCDDAT5	PA5	A
LCDC	LCDDAT6	PA6	A
LCDC	LCDDAT7	PA7	A
LCDC	LCDDAT8	PA8	A
LCDC	LCDDAT9	PA9	A
LCDC	LCDDAT10	PA10	A
LCDC	LCDDAT11	PA11	A
LCDC	LCDDAT12	PA12	A
LCDC	LCDDAT13	PA13	A
LCDC	LCDDAT14	PA14	A
LCDC	LCDDAT15	PA15	A
LCDC	LCDDAT16	PA16	A
LCDC	LCDDAT16	PC14	C
LCDC	LCDDAT17	PA17	A
LCDC	LCDDAT17	PC13	C
LCDC	LCDDAT18	PA18	A

SAMA5D3 SERIES

Table 32-2: I/O Lines (Continued)

Instance	Signal	I/O Line	Peripheral
LCDC	LCDDAT18	PC12	C
LCDC	LCDDAT19	PA19	A
LCDC	LCDDAT19	PC11	C
LCDC	LCDDAT20	PA20	A
LCDC	LCDDAT20	PC10	C
LCDC	LCDDAT21	PA21	A
LCDC	LCDDAT21	PC15	C
LCDC	LCDDAT22	PA22	A
LCDC	LCDDAT22	PE27	C
LCDC	LCDDAT23	PA23	A
LCDC	LCDDAT23	PE28	C
LCDC	LCDDEN	PA29	A
LCDC	LCDDISP	PA25	A
LCDC	LCDHSYNC	PA27	A
LCDC	LCDPCK	PA28	A
LCDC	LCDPWM	PA24	A
LCDC	LCDVSYNC	PA26	A

32.5.2 Power Management

The LCD Controller is not continuously clocked. The user must first enable the LCD Controller clock in the Power Management Controller (PMC_PCER) before using it.

32.5.3 Interrupt Sources

The LCD Controller interrupt line is connected to one of the internal sources of the interrupt controller. Using the LCD Controller interrupt requires prior programming of the interrupt controller.

Table 32-3: Peripheral IDs

Instance	ID
LCDC	36

32.6 Functional Description

The LCD module integrates the following digital blocks:

- DMA Engine Address Generation (DEAG)—This block performs data prefetch and requests access to the AHB interface.
- Input Overlay FIFO—stores the stream of pixels
- Color Lookup Table (CLUT)—These 256 RAM-based lookup table entries are selected when the color depth is set to 1, 2, 4 or 8 bpp.
- Chroma Upsampling Engine (CUE)—This block is selected when the input image sampling format is YUV (Y'CbCr) 4:2:0 and converts it to higher quality 4:4:4 image.
- Color Space Conversion (CSC)—changes the color space from YUV to RGB
- Two Dimension Scaler (2DSC)—resizes the image
- Global Alpha Blender (GAB)—performs programmable 256 level alpha blending
- Output FIFO—stores the blended pixel prior to display
- LCD Timing Engine—provides a fully programmable HSYNC-VSYNC interface

The DMA controller reads the image through the AHB master interface. The LCD controller engine formats the display data, then the GAB performs alpha blending if required, and writes the final pixel into the output FIFO. The programmable timing engine drives a valid pixel onto the LCD_DAT[23:0] display bus.

32.6.1 Timing Engine Configuration

32.6.1.1 Pixel Clock Period Configuration

The pixel clock (PCLK) generated by the timing engine is the source clock (SCLK) divided by the field CLKDIV in the LCDC_LCDCFG0 register. The source clock can be selected between the system clock and the 2x system clock with the field CLKSEL located in the LCDC_LCDCFG0 register.

Pixel Clock period formula:

$$PCLK = \frac{SCLK}{CLKDIV + 2}$$

The pixel clock polarity is also programmable.

32.6.1.2 Horizontal and Vertical Synchronization Configuration

The following fields are used to configure the timing engine:

- LCDC_LCDCFG1.HSPW
- LCDC_LCDCFG1.VSPW
- LCDC_LCDCFG2.VFPW
- LCDC_LCDCFG2.VBPW
- LCDC_LCDCFG3.HFPW
- LCDC_LCDCFG3.HBPW
- LCDC_LCDCFG4.PPL
- LCDC_LCDCFG4.RPF

The polarity of output signals is also programmable.

32.6.1.3 Timing Engine Power Up Software Operation

The following sequence is used to enable the display:

1. Configure LCD timing parameters, signal polarity and clock period.
2. Enable the Pixel Clock by writing a one to bit LCDC_LCDEN.CLKEN.
3. Poll bit LCDC_LCDSR.CLKSTS to check that the clock is running.
4. Enable Horizontal and Vertical Synchronization by writing a one to bit LCDC_LCDEN.SYNCEN.
5. Poll bit LCDC_LCDSR.LCDSTS to check that the synchronization is up.
6. Enable the display power signal by writing a one to bit LCDC_LCDEN.DISPEN.
7. Poll bit LCDC_LCDSR.DISPSTS to check that the power signal is activated.

The field LCDC_LCDCFG5.GUARDTIME is used to configure the number of frames before the assertion of the DISP signal.

SAMA5D3 SERIES

32.6.1.4 Timing Engine Power Down Software Operation

The following sequence is used to disable the display:

1. Disable the DISP signal by writing bit LCDC_LCDDIS.DISPDIS.
2. Poll bit LCDC_LCDSR.DISPSTS to verify that the DISP is no longer activated.
3. Disable the HSYNC and VSYNC signals by writing a one to bit LCDC_LCDDIS.SYNCDIS.
4. Poll bit LCDC_LCDSR.LCDSTS to check that the synchronization is off.
5. Disable the Pixel clock by writing a one to bit LCDC_LCDDIS.CLKDIS.

32.6.2 DMA Software Operations

32.6.2.1 DMA Channel Descriptor (DSCR) Alignment and Structure

The DMA Channel Descriptor (DSCR) must be aligned on a 64-bit boundary.

The DMA Channel Descriptor structure contains three fields:

- DSCR.CHXADDR: Frame Buffer base address register
- DSCR.CHXCTRL: Transfer Control register
- DSCR.CHXNEXT: Next Descriptor Address register

Table 32-4: DMA Channel Descriptor Structure

System Memory	Structure Field for Channel CHX
DSCR + 0x0	ADDR
DSCR + 0x4	CTRL
DSCR + 0x8	NEXT

32.6.2.2 Programming a DMA Channel

1. Check the status of the channel by reading the CHXCHSR register.
2. Write the channel descriptor (DSCR) structure in the system memory by writing DSCR.CHXADDR Frame base address, DSCR.CHXCTRL channel control and DSCR.CHXNEXT next descriptor location.
3. If more than one descriptor is expected, the field DFETCH of DSCR.CHXCTRL is set to one to enable the descriptor fetch operation.
4. Write the DSCR.CHXNEXT register with the address location of the descriptor structure and set DFETCH field of the DSCR.CHXCTRL register to one.
5. Enable the relevant channel by writing one to the CHEN field of the CHXCHER register.
6. An interrupt may be raised if unmasked when the descriptor has been loaded.

32.6.2.3 Disabling a DMA channel

1. Clearing the DFETCH bit in the DSCR.CHXCTRL field of the DSCR structure will disable the channel at the end of the frame.
2. Setting the DSCR.CHXNEXT field of the DSCR structure will disable the channel at the end of the frame.
3. Writing one to the CHDIS field of the CHXCHDR register will disable the channel at the end of the frame.
4. Writing one to the CHRST field of the CHXCHDR register will disable the channel immediately. This may occur in the middle of the image.
5. Polling CHSR field in the CHXCHSR register until the channel is successfully disabled.

32.6.2.4 DMA Dynamic Linking of a New Transfer Descriptor

1. Write the new descriptor structure in the system memory.
2. Write the address of the new structure in the CHXHEAD register.
3. Add the new structure to the queue of descriptors by writing one to the A2QEN field of the CHXCHER register.
4. The new descriptor will be added to the queue on the next frame.
5. An interrupt will be raised if unmasked, when the head descriptor structure has been loaded by the DMA channel.

32.6.2.5 DMA Interrupt Generation

The DMA controller operation sets the following interrupt flags in the interrupt status register CHXISR:

- DMA field indicates that the DMA transfer is completed.
- DSCR field indicates that the descriptor structure is loaded in the DMA controller.

- ADD field indicates that a descriptor has been added to the descriptor queue.
- DONE field indicates that the channel transfer has terminated and the channel is automatically disabled.

32.6.2.6 DMA Address Alignment Requirements

When programming the DSCR.CHXADDR field of the DSCR structure the following requirement must be met.

Table 32-5: DMA Address Alignment when CLUT Mode is Selected

CLUT Mode	DMA Address Alignment
1 bpp	8 bits
2 bpp	8 bits
4 bpp	8 bits
8 bpp	8 bits

Table 32-6: DMA Address Alignment when RGB Mode is Selected

RGB Mode	DMA Address Alignment
12 bpp RGB 444	16 bits
16 bpp ARGB 4444	16 bits
16 bpp RGBA 4444	16 bits
16 bpp RGB 565	16 bits
16 bpp TRGB 1555	16 bits
18 bpp RGB 666	32 bits
18 bpp RGB 666 PACKED	8 bits
19 bpp TRGB 1666	32 bits
19 bpp TRGB 1666	8 bits
24 bpp RGB 888	32 bits
24 bpp RGB 888 PACKED	8 bits
25 bpp TRGB 1888	32 bits
32 bpp ARGB 8888	32 bits
32 bpp RGBA 8888	32 bits

Table 32-7: DMA Address Alignment when YUV Mode is Selected

YUV Mode	DMA Address Alignment
32 bpp AYCrCb	32 bits
16 bpp YCrCb 4:2:2	32 bits
16 bpp semiplanar YCrCb 4:2:2	Y 8 bits
	CrCb 16 bits
16 bpp planar YCrCb 4:2:2	Y 8 bits
	Cr 8 bits
	Cb 8 bits
12 bpp YCrCb 4:2:0	Y 8 bits
	CrCb 16 bits

SAMA5D3 SERIES

Table 32-7: DMA Address Alignment when YUV Mode is Selected (Continued)

YUV Mode	DMA Address Alignment
12 bpp YCrCb 4:2:0	Y 8 bits
	Cr 8 bits
	Cb 8 bits

32.6.3 Overlay Software Configuration

32.6.3.1 System Bus Access Attributes

These attributes are defined to improve bandwidth of the overlay.

- LOCKDIS bit: When set to one the AHB lock signal is not asserted when the PSTRIDE value is different from zero (rotation in progress).
- ROTDIS bit: When set to one the Pixel Striding optimization is disabled.
- DLBO bit: When set to one only defined burst lengths are performed when the DMA channel retrieves the data from the memory.
- BLEN field: defines the maximum burst length of the DMA channel
- SIF bit: defines the targeted DMA interface

32.6.3.2 Color Attributes

- CLUTMODE field: selects the Color Lookup Table mode
- RGBMODE field: selects the RGB mode
- YUVMODE field: selects the Luminance Chrominance mode

32.6.3.3 Window Position, Size, Scaling and Striding Attributes

- XPOS and YPOS fields define the position of the overlay window.
- XSIZE and YSIZE fields define the size of the displayed window.
- XMEMSIZE and YMEMSIZE fields define the size of the image frame buffer.
- XSTRIDE and PSTRIDE fields define the line and pixel striding.
- XFACTOR and YFACTOR fields define the scaling ratio.

The position and size attributes are to be programmed to keep the window within the display area.

When the Color Lookup Table mode is enabled, the restrictions detailed in the following table apply on the horizontal and vertical window sizes.

Table 32-8: Color Lookup Table Mode and Window Size

CLUT Mode	X-Y Size Requirement
1 bpp	Multiple of 8 pixels
2 bpp	Multiple of 4 pixels
4 bpp	Multiple of 2 pixels
8 bpp	Free size

Pixel striding is disabled when CLUT mode is enabled.

When YUV mode is enabled the restrictions detailed in the following table apply on the window size.

Table 32-9: YUV Mode and Window Size

YUV Mode	X-Y Requirement, Scaling Turned Off	X-Y Requirement, Scaling Turned On
AYUV	Free size	X-Y size is greater than 5
YUV 4:2:2 packed	XSIZE is greater than 2 pixels	X-Y size is greater than 5
YUV 4:2:2 semiplanar	XSIZE is greater than 2 pixels	X-Y size is greater than 5

Table 32-9: YUV Mode and Window Size (Continued)

YUV Mode	X-Y Requirement, Scaling Turned Off	X-Y Requirement, Scaling Turned On
YUV 4:2:2 planar	XSIZE is greater than 2 pixels	X-Y size is greater than 5
YUV 4:2:0 semiplanar	XSIZE is greater that 2 pixels	X-Y size is greater than 5
YUV 4:2:0 planar	XSIZE is greater than 2 pixels	X-Y size is greater than 5

In RGB mode, there is no restriction on the line length.

32.6.3.4 Overlay Blender Attributes

When two or more video layers are used, alpha blending is performed to define the final image displayed. Each window has its own blending attributes.

- CRKEY bit: enables the chroma keying and match logic.
- INV bit: performs bit inversion at pixel level.
- ITER2BL bit: when set, the iterated data path is selected.
- ITER bit: when set, the iterated value is used in the iterated data path, otherwise the iterated value is set to 0.
- REVALPHA bit: uses the reverse alpha value.
- GAEN bit: enables the global alpha value in the data path.
- LAEN bit: enables the local alpha value from the pixel.
- OVR bit: when set, the overlay is selected as an input of the blender.
- DMA bit: the DMA data path is activated.
- REP bit: enables the bit replication to fill the 24-bit internal data path.
- DSTKEY bit: when set, Destination keying is enabled.
- GA field: defines the global alpha value.

32.6.3.5 Overlay Attributes Software Operation

1. When required, write the overlay attributes configuration registers.
2. Set UPDATEEN field of the CHXCHER register.
3. Poll UPDATESR field in the CHXCHSR, the update applies when that field is reset.

SAMA5D3 SERIES

32.6.4 RGB Frame Buffer Memory Bitmap

32.6.4.1 1 bpp Through Color Lookup Table

Table 32-10: 1 bpp Memory Mapping, Little Endian Organization

Mem addr	0x3								0x2								0x1								0x0							
Bit	31	30	29	28	27	26	25	24	23	22	21	20	19	18	17	16	15	14	13	12	11	10	9	8	7	6	5	4	3	2	1	0
Pixel 1 bpp	p31	p30	p29	p28	p27	p26	p25	p24	p23	p22	p21	p20	p19	p18	p17	p16	p15	p14	p13	p12	p11	p10	p9	p8	p7	p6	p5	p4	p3	p2	p1	p0

32.6.4.2 2 bpp Through Color Lookup Table

Table 32-11: 2 bpp Memory Mapping, Little Endian Organization

Mem addr	0x3								0x2								0x1								0x0																																							
Bit	31	30	29	28	27	26	25	24	23	22	21	20	19	18	17	16	15	14	13	12	11	10	9	8	7	6	5	4	3	2	1	0																																
Pixel 2 bpp	p15				p14				p13				p12				p11				p10				p9				p8				p7				p6				p5				p4				p3				p2				p1				p0			

32.6.4.3 4 bpp Through Color Lookup Table

Table 32-12: 4 bpp Memory Mapping, Little Endian Organization

Mem addr	0x3								0x2								0x1								0x0																																							
Bit	31	30	29	28	27	26	25	24	23	22	21	20	19	18	17	16	15	14	13	12	11	10	9	8	7	6	5	4	3	2	1	0																																
Pixel 4 bpp	p7								p6								p5								p4								p3								p2								p1								p0							

32.6.4.4 8 bpp Through Color Lookup Table

Table 32-13: 8 bpp Memory Mapping, Little Endian Organization

Mem addr	0x3								0x2								0x1								0x0																																							
Bit	31	30	29	28	27	26	25	24	23	22	21	20	19	18	17	16	15	14	13	12	11	10	9	8	7	6	5	4	3	2	1	0																																
Pixel 8 bpp	p3																p2																p1																p0															

32.6.4.5 12 bpp Memory Mapping, RGB 4:4:4

Table 32-14: 12 bpp Memory Mapping, Little Endian Organization

Mem addr	0x3								0x2								0x1								0x0																																							
Bit	31	30	29	28	27	26	25	24	23	22	21	20	19	18	17	16	15	14	13	12	11	10	9	8	7	6	5	4	3	2	1	0																																
Pixel 12 bpp	-								R1[3:0]								G1[3:0]								B1[3:0]								-								R0[3:0]								G0[3:0]								B0[3:0]							

32.6.4.6 16 bpp Memory Mapping with Alpha Channel, ARGB 4:4:4:4

Table 32-15: 16 bpp Memory Mapping, Little Endian Organization

Mem addr	0x3								0x2								0x1								0x0																																							
Bit	31	30	29	28	27	26	25	24	23	22	21	20	19	18	17	16	15	14	13	12	11	10	9	8	7	6	5	4	3	2	1	0																																
Pixel 16 bpp	A1[3:0]								R1[3:0]								G1[3:0]								B1[3:0]								A0[3:0]								R0[3:0]								G0[3:0]								B0[3:0]							

32.6.4.7 16 bpp Memory Mapping with Alpha Channel, RGBA 4:4:4:4

Table 32-16: 16 bpp Memory Mapping, Little Endian Organization

Mem addr	0x3								0x2								0x1								0x0							
Bit	31	30	29	28	27	26	25	24	23	22	21	20	19	18	17	16	15	14	13	12	11	10	9	8	7	6	5	4	3	2	1	0
Pixel 16 bpp	R1[3:0]				G13:0]				B1[3:0]				A1[3:0]				R0[3:0]				G0[3:0]				B0[3:0]				A0[3:0]			

32.6.4.8 16 bpp Memory Mapping with Alpha Channel, RGB 5:6:5

Table 32-17: 16 bpp Memory Mapping, Little Endian Organization

Mem addr	0x3								0x2								0x1								0x0							
Bit	31	30	29	28	27	26	25	24	23	22	21	20	19	18	17	16	15	14	13	12	11	10	9	8	7	6	5	4	3	2	1	0
Pixel 16bpp	R1[4:0]				G1[5:0]				B1[4:0]				R0[4:0]				G0[5:0]				B0[4:0]											

32.6.4.9 16 bpp Memory Mapping with Transparency Bit, ARGB 1:5:5:5

Table 32-18: 16 bpp Memory Mapping, Little Endian Organization

Mem addr	0x3								0x2								0x1								0x0							
Bit	31	30	29	28	27	26	25	24	23	22	21	20	19	18	17	16	15	14	13	12	11	10	9	8	7	6	5	4	3	2	1	0
Pixel 4 bpp	A1	R1[4:0]				G1[4:0]				B1[4:0]				A0	R0[4:0]				G0[4:0]				B0[4:0]									

32.6.4.10 18 bpp Unpacked Memory Mapping with Transparency Bit, RGB 6:6:6

Table 32-19: 18 bpp Unpacked Memory Mapping, Little Endian Organization

Mem addr	0x3								0x2								0x1								0x0							
Bit	31	30	29	28	27	26	25	24	23	22	21	20	19	18	17	16	15	14	13	12	11	10	9	8	7	6	5	4	3	2	1	0
Pixel 18 bpp	-								-								R0[5:0]				G0[5:0]				B0[5:0]							

32.6.4.11 18 bpp Packed Memory Mapping with Transparency Bit, RGB 6:6:6

Table 32-20: 18 bpp Packed Memory Mapping, Little Endian Organization at Address 0x0, 0x1, 0x2, 0x3

Mem addr	0x3								0x2								0x1								0x0							
Bit	31	30	29	28	27	26	25	24	23	22	21	20	19	18	17	16	15	14	13	12	11	10	9	8	7	6	5	4	3	2	1	0
Pixel 18 bpp	G1[1:0]				B1[5:0]				-				R0[5:0]				G0[5:0]				B0[5:0]											

Table 32-21: 18 bpp Packed Memory Mapping, Little Endian Organization at Address 0x4, 0x5, 0x6, 0x7

Mem addr	0x7								0x6								0x5								0x4							
Bit	31	30	29	28	27	26	25	24	23	22	21	20	19	18	17	16	15	14	13	12	11	10	9	8	7	6	5	4	3	2	1	0
Pixel 18 bpp	R2[3:0]				G2[5:0]				B2[5:0]				-				R1[5:2]				G1[5:2]											

Table 32-22: 18 bpp Packed Memory Mapping, Little Endian Organization at Address 0x8, 0x9, 0xA, 0xB

Mem addr	0xB								0xA								0x9								0x8							
Bit	31	30	29	28	27	26	25	24	23	22	21	20	19	18	17	16	15	14	13	12	11	10	9	8	7	6	5	4	3	2	1	0
Pixel 18 bpp	G4[1:0]				B4[5:0]				-				R3[5:0]				G3[5:0]				B3[3:0]				R2[5:4]							

SAMA5D3 SERIES

32.6.4.12 19 bpp Unpacked Memory Mapping with Transparency Bit, RGB 1:6:6:6

Table 32-23: 19 bpp Unpacked Memory Mapping, Little Endian Organization

Mem addr	0x3								0x2								0x1								0x0																
Bit	31	30	29	28	27	26	25	24	23	22	21	20	19	18	17	16	15	14	13	12	11	10	9	8	7	6	5	4	3	2	1	0									
Pixel 19 bpp	-								-								A0	R0[5:0]								G0[5:0]								B0[5:0]							

32.6.4.13 19 bpp Packed Memory Mapping with Transparency Bit, ARGB 1:6:6:6

Table 32-24: 19 bpp Packed Memory Mapping, Little Endian Organization at Address 0x0, 0x1, 0x2, 0x3

Mem addr	0x3								0x2								0x1								0x0																
Bit	31	30	29	28	27	26	25	24	23	22	21	20	19	18	17	16	15	14	13	12	11	10	9	8	7	6	5	4	3	2	1	0									
Pixel 19 bpp	G1[1:0]				B1[5:0]				-								A0	R0[5:0]								G0[5:0]								B0[5:0]							

Table 32-25: 19 bpp Packed Memory Mapping, Little Endian Organization at Address 0x4, 0x5, 0x6, 0x7

Mem addr	0x7								0x6								0x5								0x4																
Bit	31	30	29	28	27	26	25	24	23	22	21	20	19	18	17	16	15	14	13	12	11	10	9	8	7	6	5	4	3	2	1	0									
Pixel 19 bpp	R2[3:0]				G2[5:0]				B2[5:0]								-								A1	R1[5:2]								G1[5:2]							

Table 32-26: 18 bpp Packed Memory Mapping, Little Endian Organization at Address 0x8, 0x9, 0xA, 0xB

Mem addr	0xB								0xA								0x9								0x8																
Bit	31	30	29	28	27	26	25	24	23	22	21	20	19	18	17	16	15	14	13	12	11	10	9	8	7	6	5	4	3	2	1	0									
Pixel 19 bpp	G4[1:0]				B4[5:0]				-								A3	R3[5:0]								G3[5:0]								B3[3:0]				R2[5:4]			

32.6.4.14 24 bpp Unpacked Memory Mapping, RGB 8:8:8

Table 32-27: 24 bpp Memory Mapping, Little Endian Organization

Mem addr	0x3								0x2								0x1								0x0							
Bit	31	30	29	28	27	26	25	24	23	22	21	20	19	18	17	16	15	14	13	12	11	10	9	8	7	6	5	4	3	2	1	0
Pixel 24 bpp	-								R0[7:0]								G0[7:0]								B0[7:0]							

32.6.4.15 24 bpp Packed Memory Mapping, RGB 8:8:8

Table 32-28: 24 bpp Packed Memory Mapping, Little Endian Organization at Address 0x0, 0x1, 0x2, 0x3

Mem addr	0x3								0x2								0x1								0x0							
Bit	31	30	29	28	27	26	25	24	23	22	21	20	19	18	17	16	15	14	13	12	11	10	9	8	7	6	5	4	3	2	1	0
Pixel 24 bpp	B1[7:0]								R0[7:0]								G0[7:0]								B0[7:0]							

Table 32-29: 24 bpp Packed Memory Mapping, Little Endian Organization at Address 0x4, 0x5, 0x6, 0x7

Mem addr	0x7								0x6								0x5								0x4							
Bit	31	30	29	28	27	26	25	24	23	22	21	20	19	18	17	16	15	14	13	12	11	10	9	8	7	6	5	4	3	2	1	0
Pixel 24 bpp	G2[7:0]								B2[7:0]								R1[7:0]								G1[7:0]							

32.6.4.16 25 bpp Memory Mapping, ARGB 1:8:8:8

Table 32-30: 25 bpp Memory Mapping, Little Endian Organization

Mem addr	0x3								0x2								0x1								0x0															
Bit	31	30	29	28	27	26	25	24	23	22	21	20	19	18	17	16	15	14	13	12	11	10	9	8	7	6	5	4	3	2	1	0								
Pixel 25 bpp	-								A0								R0[7:0]								G0[7:0]								B0[7:0]							

32.6.4.17 32 bpp Memory Mapping, ARGB 8:8:8:8

Table 32-31: 32 bpp Memory Mapping, Little Endian Organization

Mem addr	0x3								0x2								0x1								0x0							
Bit	31	30	29	28	27	26	25	24	23	22	21	20	19	18	17	16	15	14	13	12	11	10	9	8	7	6	5	4	3	2	1	0
Pixel 32 bpp	A0[7:0]								R0[7:0]								G0[7:0]								B0[7:0]							

32.6.4.18 32 bpp Memory Mapping, RGBA 8:8:8:8

Table 32-32: 32 bpp Memory Mapping, Little Endian Organization

Mem addr	0x3								0x2								0x1								0x0							
Bit	31	30	29	28	27	26	25	24	23	22	21	20	19	18	17	16	15	14	13	12	11	10	9	8	7	6	5	4	3	2	1	0
Pixel 32 bpp	R0[7:0]								G0[7:0]								B0[7:0]								A0[7:0]							

32.6.5 YUV Frame Buffer Memory Mapping

32.6.5.1 AYCbCr 4:4:4 Interleaved Frame Buffer Memory Mapping

Table 32-33: 32 bpp Memory Mapping, Little Endian Organization

Mem addr	0x3								0x2								0x1								0x0							
Bit	31	30	29	28	27	26	25	24	23	22	21	20	19	18	17	16	15	14	13	12	11	10	9	8	7	6	5	4	3	2	1	0
Pixel 16 bpp	A0[7:0]								Y0[7:0]								Cb0[7:0]								Cr0[7:0]							

32.6.5.2 4:2:2 Interleaved Mode Frame Buffer Memory Mapping

Table 32-34: 16 bpp 4:2:2 interleaved Mode 0

Mem addr	0x3								0x2								0x1								0x0							
Bit	31	30	29	28	27	26	25	24	23	22	21	20	19	18	17	16	15	14	13	12	11	10	9	8	7	6	5	4	3	2	1	0
Pixel 16 bpp	Cr0[7:0]								Y1[7:0]								Cb0[7:0]								Y0[7:0]							

Table 32-35: 16 bpp 4:2:2 interleaved Mode 1

Mem addr	0x3								0x2								0x1								0x0							
Bit	31	30	29	28	27	26	25	24	23	22	21	20	19	18	17	16	15	14	13	12	11	10	9	8	7	6	5	4	3	2	1	0
Pixel 16 bpp	Y1[7:0]								Cr0[7:0]								Y0[7:0]								Cb0[7:0]							

Table 32-36: 16 bpp 4:2:2 interleaved Mode 2

Mem addr	0x3								0x2								0x1								0x0							
Bit	31	30	29	28	27	26	25	24	23	22	21	20	19	18	17	16	15	14	13	12	11	10	9	8	7	6	5	4	3	2	1	0
Pixel 16 bpp	Cb0[7:0]								Y1[7:0]								Cr0[7:0]								Y0[7:0]							

SAMA5D3 SERIES

Table 32-37: 16 bpp 4:2:2 interleaved Mode 3

Mem addr	0x3								0x2								0x1								0x0							
Bit	31	30	29	28	27	26	25	24	23	22	21	20	19	18	17	16	15	14	13	12	11	10	9	8	7	6	5	4	3	2	1	0
Pixel 16 bpp	Y1[7:0]								Cb0[7:0]								Y0[7:0]								Cr0[7:0]							

32.6.5.3 4:2:2 Semiplanar Mode Frame Buffer Memory Mapping

Table 32-38: 4:2:2 Semiplanar Luminance Memory Mapping, Little Endian Organization for Byte 0x0, 0x1, 0x2, 0x3

Mem addr	0x3								0x2								0x1								0x0							
Bit	31	30	29	28	27	26	25	24	23	22	21	20	19	18	17	16	15	14	13	12	11	10	9	8	7	6	5	4	3	2	1	0
Pixel 16 bpp	Y3[7:0]								Y2[7:0]								Y1[7:0]								Y0[7:0]							

Table 32-39: 4:2:2 Semiplanar Chrominance Memory Mapping, Little Endian Organization for Byte 0x0, 0x1, 0x2, 0x3

Mem addr	0x3								0x2								0x1								0x0							
Bit	31	30	29	28	27	26	25	24	23	22	21	20	19	18	17	16	15	14	13	12	11	10	9	8	7	6	5	4	3	2	1	0
Pixel 16 bpp	Cb2[7:0]								Cr2[7:0]								Cb0[7:0]								Cr0[7:0]							

32.6.5.4 4:2:2 Planar Mode Frame Buffer Memory Mapping

Table 32-40: 4:2:2 Planar Mode Luminance Memory Mapping, Little Endian Organization for Byte 0x0, 0x1, 0x2, 0x3

Mem addr	0x3								0x2								0x1								0x0							
Bit	31	30	29	28	27	26	25	24	23	22	21	20	19	18	17	16	15	14	13	12	11	10	9	8	7	6	5	4	3	2	1	0
Pixel 16 bpp	Y3[7:0]								Y2[7:0]								Y1[7:0]								Y0[7:0]							

Table 32-41: 4:2:2 Planar Mode Chrominance Memory Mapping, Little Endian Organization for Byte 0x0, 0x1, 0x2, 0x3

Mem addr	0x3								0x2								0x1								0x0							
Bit	31	30	29	28	27	26	25	24	23	22	21	20	19	18	17	16	15	14	13	12	11	10	9	8	7	6	5	4	3	2	1	0
Pixel 16 bpp	C3[7:0]								C2[7:0]								C1[7:0]								C0[7:0]							

32.6.5.5 4:2:0 Planar Mode Frame Buffer Memory Mapping

In Planar Mode, the three video components Y, Cr and Cb are split into three memory areas and stored in a raster-scan order. These three memory planes are contiguous and always aligned on a 32-bit boundary.

Table 32-42: 4:2:0 Planar Mode Luminance Memory Mapping, Little Endian Organization for Byte 0x0, 0x1, 0x2, 0x3

Mem addr	0x3								0x2								0x1								0x0							
Bit	31	30	29	28	27	26	25	24	23	22	21	20	19	18	17	16	15	14	13	12	11	10	9	8	7	6	5	4	3	2	1	0
Pixel 12 bpp	Y3[7:0]								Y2[7:0]								Y1[7:0]								Y0[7:0]							

Table 32-43: 4:2:0 Planar Mode Luminance Memory Mapping, Little Endian Organization for Byte 0x4, 0x5, 0x6, 0x7

Mem addr	0x7								0x6								0x5								0x4							
Bit	31	30	29	28	27	26	25	24	23	22	21	20	19	18	17	16	15	14	13	12	11	10	9	8	7	6	5	4	3	2	1	0
Pixel 12 bpp	Y7[7:0]								Y6[7:0]								Y5[7:0]								Y4[7:0]							

Table 32-44: 4:2:0 Planar Mode Chrominance Memory Mapping, Little Endian Organization for Byte 0x0, 0x1, 0x2, 0x3

Mem addr	0x3								0x2								0x1								0x0							
Bit	31	30	29	28	27	26	25	24	23	22	21	20	19	18	17	16	15	14	13	12	11	10	9	8	7	6	5	4	3	2	1	0
Pixel 12 bpp	C3[7:0]								C2[7:0]								C1[7:0]								C0[7:0]							

Table 32-45: 4:2:0 Planar Mode Chrominance Memory Mapping, Little Endian Organization for Byte 0x4, 0x5, 0x6, 0x7

Mem addr	0x7								0x6								0x5								0x4							
Bit	31	30	29	28	27	26	25	24	23	22	21	20	19	18	17	16	15	14	13	12	11	10	9	8	7	6	5	4	3	2	1	0
Pixel 12 bpp	C7[7:0]								C6[7:0]								C5[7:0]								C4[7:0]							

32.6.5.6 4:2:0 Semiplanar Frame Buffer Memory Mapping

Table 32-46: 4:2:0 Semiplanar Mode Luminance Memory Mapping, Little Endian Organization

Mem addr	0x7								0x6								0x5								0x4							
Bit	31	30	29	28	27	26	25	24	23	22	21	20	19	18	17	16	15	14	13	12	11	10	9	8	7	6	5	4	3	2	1	0
Pixel 12 bpp	Y3[7:0]								Y2[7:0]								Y1[7:0]								Y0[7:0]							

Table 32-47: 4:2:0 Semiplanar Mode Chrominance Memory Mapping, Little Endian Organization

Mem addr	0x3								0x2								0x1								0x0							
Bit	31	30	29	28	27	26	25	24	23	22	21	20	19	18	17	16	15	14	13	12	11	10	9	8	7	6	5	4	3	2	1	0
Pixel 12 bpp	Cb1[7:0]								Cr1[7:0]								Cb0[7:0]								Cr0[7:0]							

32.6.6 Chrominance Upsampling Unit

Both 4:2:2 and 4:2:0 input formats are supported by the LCD module. In 4:2:2, the two chrominance components are sampled at half the sample rate of the luminance. The horizontal chrominance resolution is halved. When this input format is selected, the chrominance upsampling unit uses two chrominances to interpolate the missing component.

In 4:2:0, Cr and Cb components are subsampled at a factor of two vertically and horizontally. When this input mode is selected, the chrominance upsampling unit uses two and four chroma components to generate the missing horizontal and vertical components.

Figure 32-2: 4:2:2 Upsampling Algorithm

Vertical and Horizontal upsampling 4:2:2 to 4:4:4 conversion 0 or 180 degree

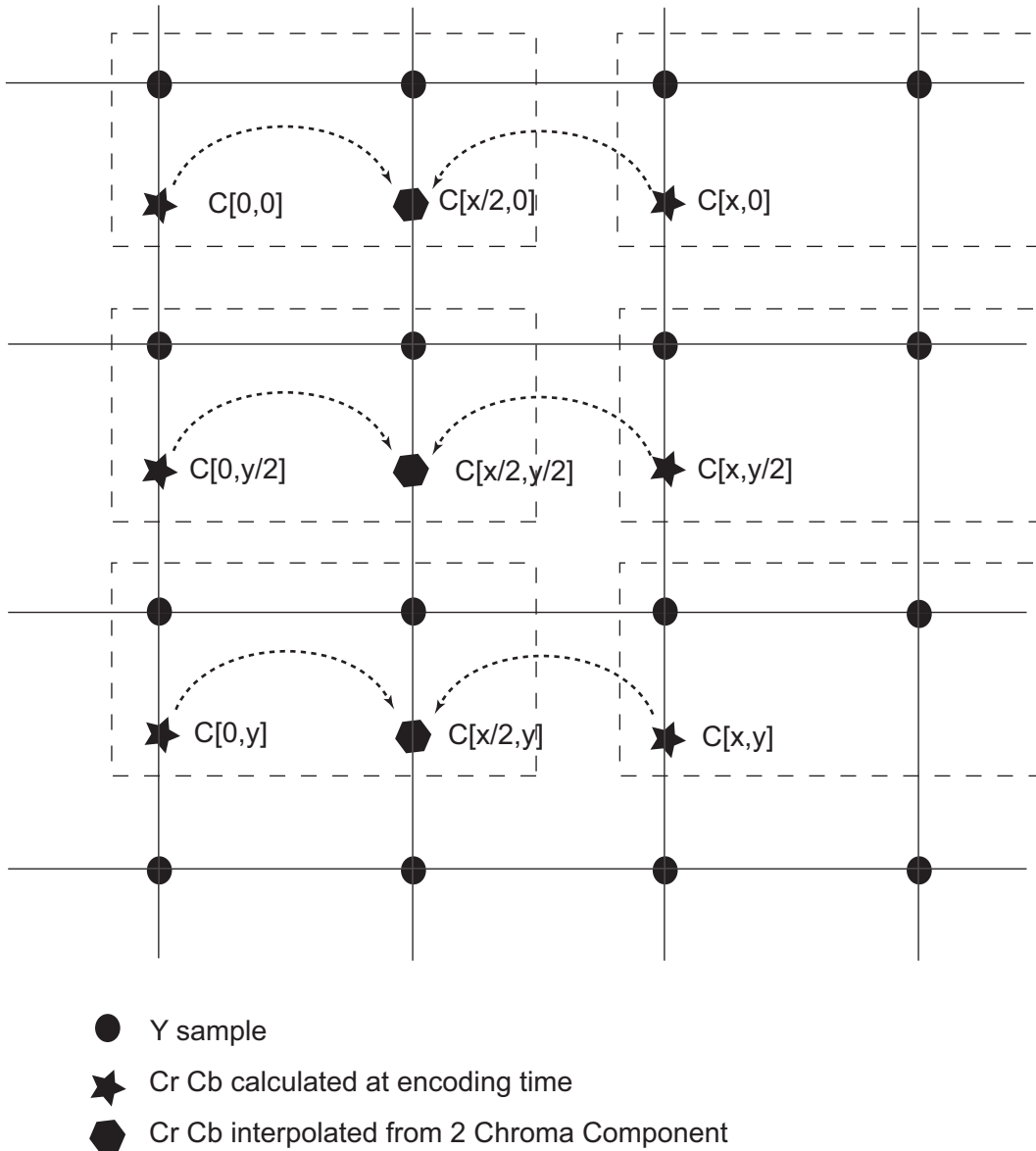
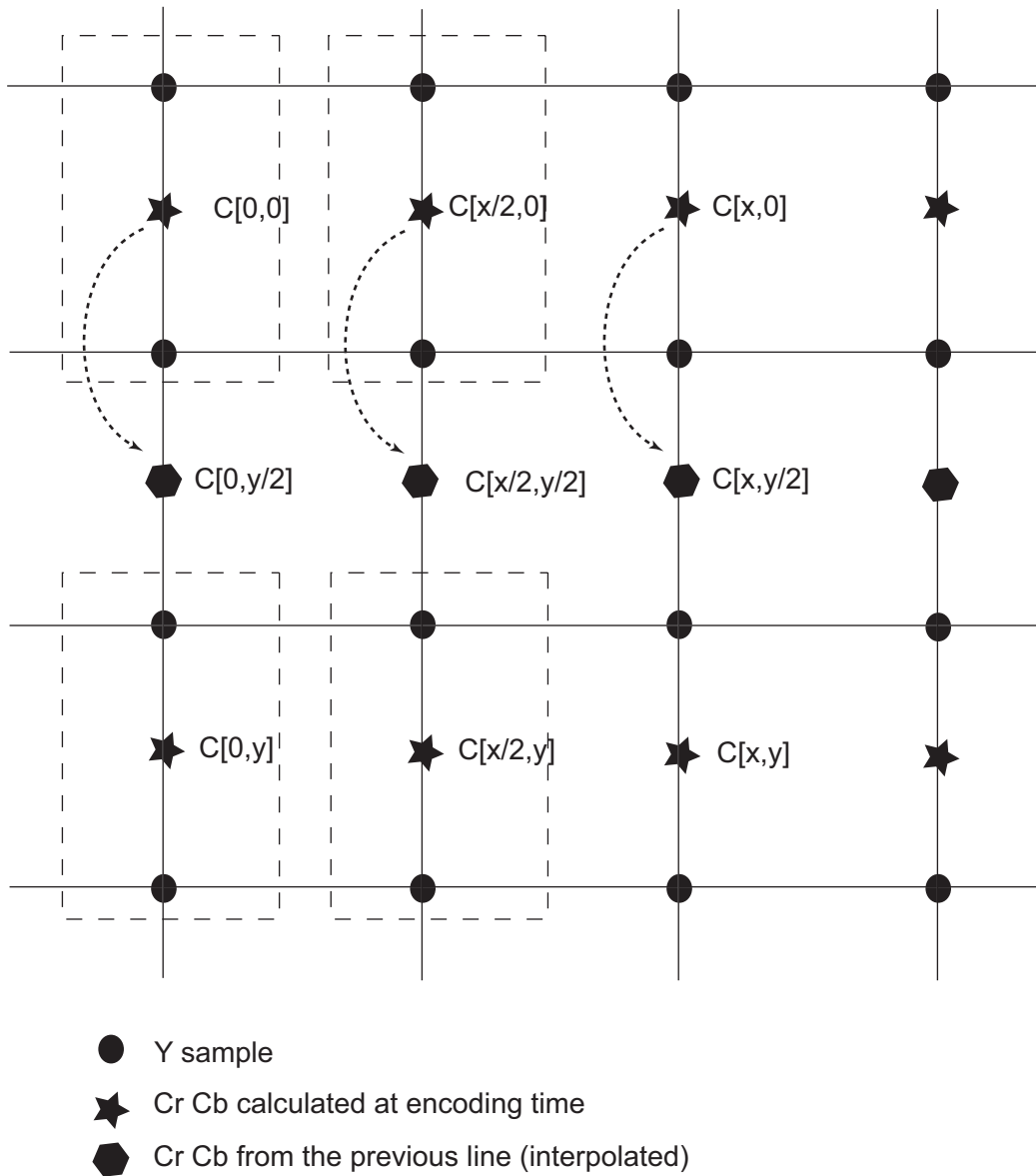


Figure 32-3: 4:2:2 Packed Upsampling Algorithm

Vertical and Horizontal upsampling 4:2:2 to 4:4:4 conversion 90 or 270 degree



SAMA5D3 SERIES

Figure 32-4: 4:2:2 Semiplanar and Planar Upsampling Algorithm - 90 or 270 Degree R
Rotation Activated

Vertical and Horizontal upsampling 4:2:2 to 4:4:4 conversion 90 or 270 degree

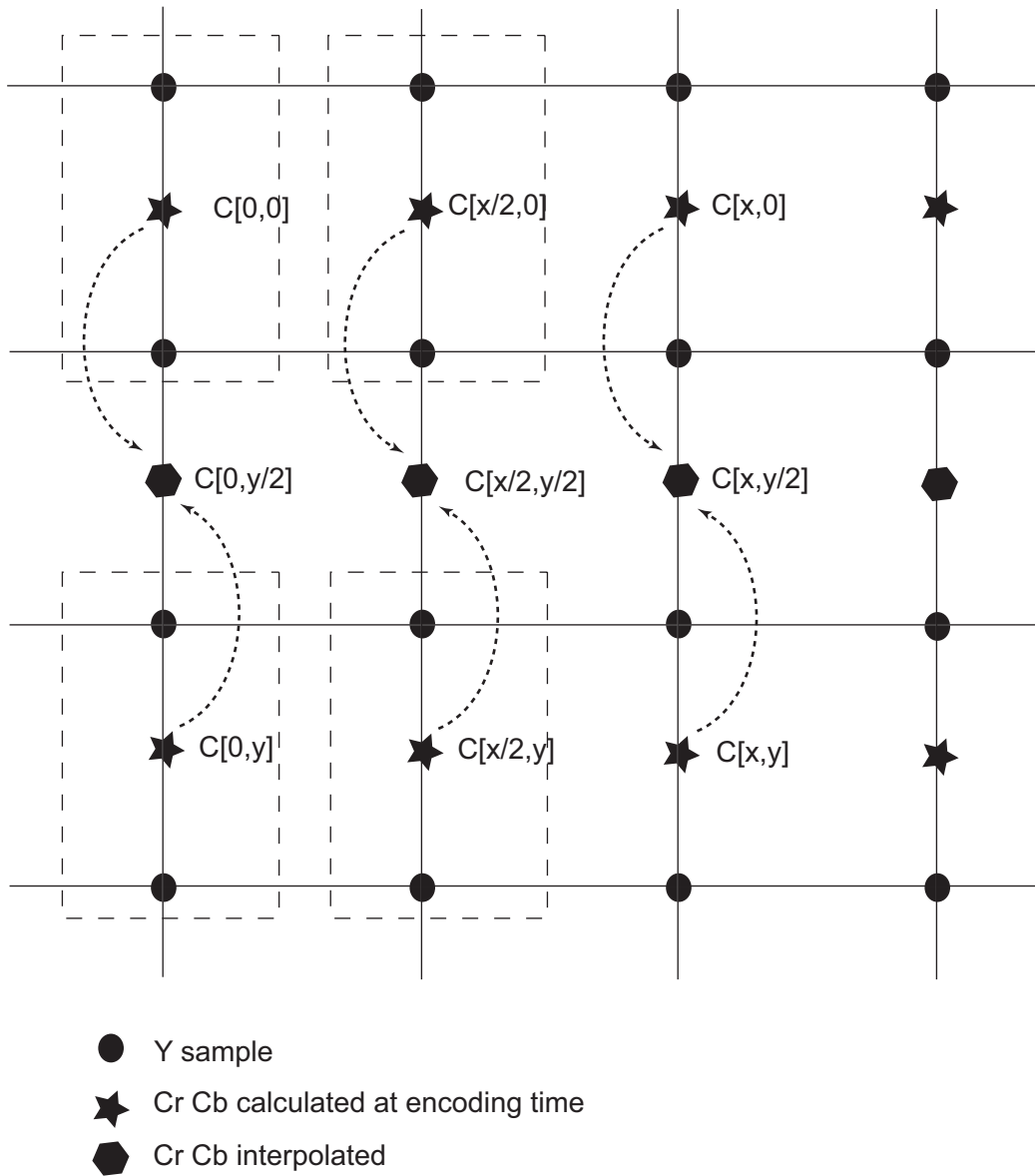
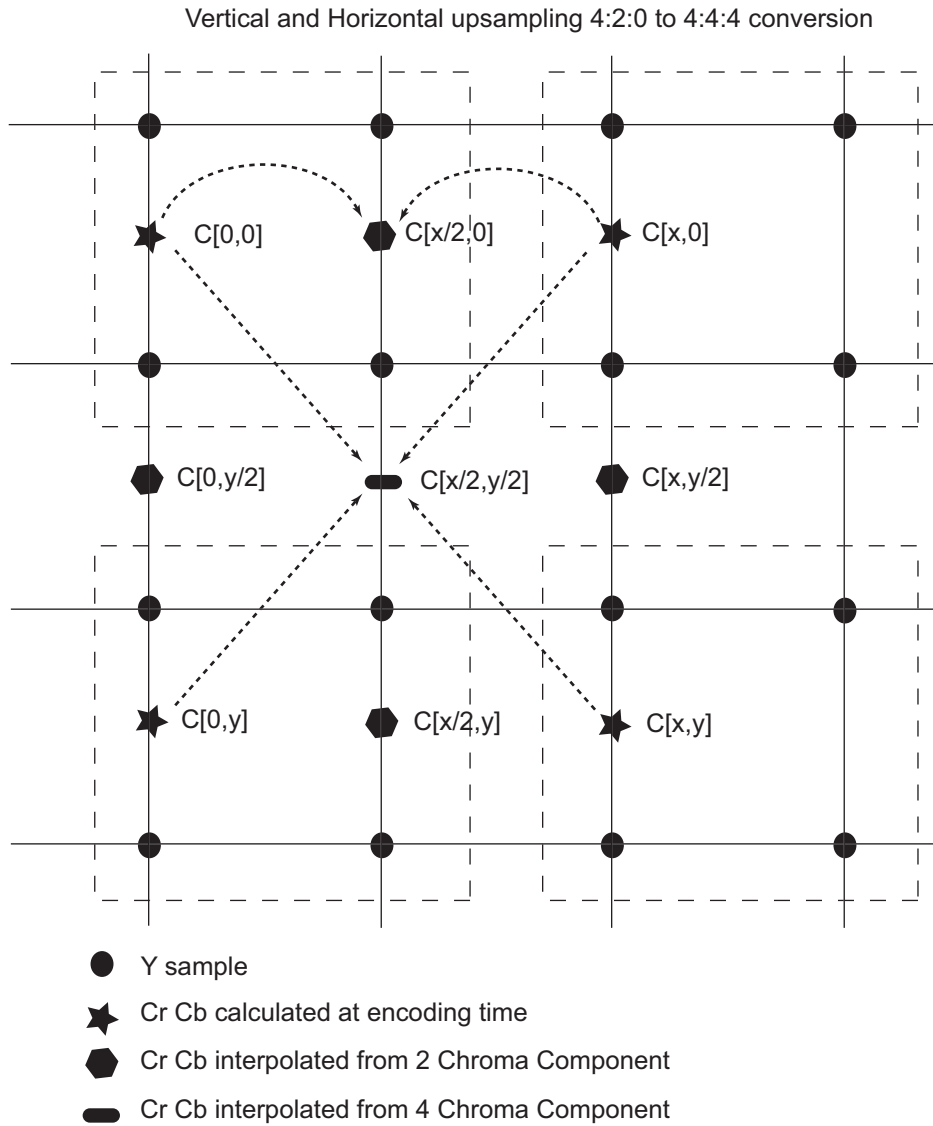


Figure 32-5: 4:2:0 Upsampling Algorithm



$$Chroma\left[\frac{x}{2}, 0\right] = \frac{Cr[0, 0] + Cr[0, x]}{2}$$

$$Chroma\left[0, \frac{y}{2}\right] = \frac{Cr[0, 0] + Cr[0, y]}{2}$$

$$Chroma\left[\frac{x}{2}, \frac{y}{2}\right] = \frac{Cr[0, 0] + Cr[x, 0] + Cr[0, y] + Cr[x, y]}{4}$$

$$Chroma\left[x, \frac{y}{2}\right] = \frac{Cr[x, 0] + Cr[x, y]}{2}$$

$$Chroma\left[\frac{x}{2}, y\right] = \frac{Cr[0, y] + Cr[x, y]}{2}$$

SAMA5D3 SERIES

32.6.6.1 Chrominance Upsampling Algorithm

1. Read line n from chrominance cache and interpolate $[x/2,0]$ chrominance component filling the 1×2 kernel with line n. If the chrominance cache is empty, then fetch the first line from external memory and interpolate from the external memory. Duplicate the last chrominance at the end of line.
2. Fetch line n+1 from external memory, write line n + 1 to chrominance cache, read line n from the chrominance cache. interpolate $[0,y/2]$, $[x/2,y/2]$ and $[x, y/2]$ filling the 2×2 kernel with line n and n+1. Duplicate the last chrominance line to generate the last interpolated line.
3. Repeat step 1 and step 2.

32.6.7 Line and Pixel Striding

The LCD module includes a mechanism to increment the memory address by a programmable amount when the end of line has been reached, this offset is referred to as XSTRIDE and is defined on a per overlay basis. It also contains a PSTRIDE field that allows a programmable jump at the pixel level. Pixel stride is the value from one pixel to the next.

32.6.7.1 Line Striding

When the end of line has been reached, the DMA address counter points to the next pixel address. The channel DMA address register is added to the XSTRIDE field, and then updated. If XSTRIDE is set to zero, the DMA address register remains unchanged. The XSTRIDE field of the channel configuration register is aligned to the pixel size boundary. The XSTRIDE field is a two's complement number. The following formula applies at the line boundary and indicates how the DMA controller computes the next pixel address. The function Sizeof() returns the number of bytes required to store a pixel.

$$NextPixelAddress = CurrentPixelAddress + Sizeof(pixel) + XSTRIDE$$

32.6.7.2 Pixel Striding

The DMA channel engine may optionally fetch non contiguous pixels. The channel DMA address register is added to the PSTRIDE field and then updated. If PSTRIDE is set to zero, the DMA address register remains unchanged and pixels are contiguous. The PSTRIDE field of the channel configuration register is aligned to the pixel size boundary. The PSTRIDE is a two's complement number. The following formula applies at the pixel boundary and indicates how the DMA controller computes the next pixel address. The function Sizeof() returns the number of bytes required to store a pixel.

$$NextPixelAddress = CurrentPixelAddress + Sizeof(pixel) + PSTRIDE$$

32.6.8 Color Space Conversion Unit

The color space conversion unit converts Luminance Chrominance color space into the Red Green Blue color space. The conversion matrix is defined below and is fully programmable through the LCD user interface.

$$\begin{bmatrix} R \\ G \\ B \end{bmatrix} = \begin{bmatrix} CSCRY & CSCRU & CSCRV \\ CSCGY & CSCGU & CSCGV \\ CSCBY & CSCBU & CSCBV \end{bmatrix} \cdot \begin{bmatrix} Y - Yoff \\ Cb - Cboff \\ Cr - Croff \end{bmatrix}$$

Color space conversion coefficients are defined with the following equation:

$$CSC_{ij} = \frac{1}{2^7} \cdot \left[-2^9 \cdot c_9 + \sum_{n=0}^8 c_n \cdot 2^n \right]$$

Color space conversion coefficients are defined with one sign bit, 2 integer bits and 7 fractional bits. The range of the CSCij coefficients is defined below with a step of 1/128.

$$-4 \leq CSC_{ij} \leq 3.9921875$$

Additionally, a set scaling factor {Yoff, Cboff, Croff} can be applied.

32.6.9 Two Dimension Scaler

The High End Overlay (HEO) data path includes a hardware scaler that allows an image resize in both horizontal and vertical directions.

32.6.9.1 Video Scaler Description

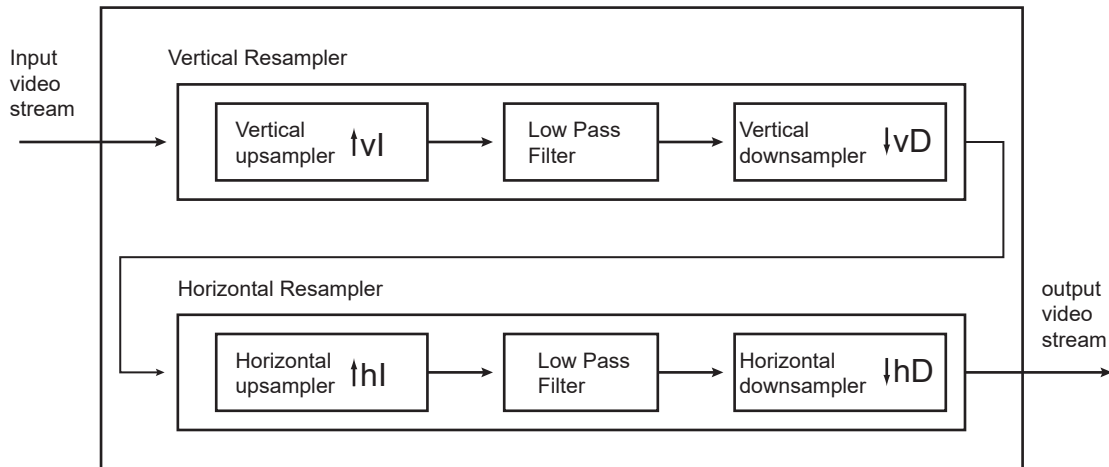
The scaling operation is based on a vertical and horizontal resampling algorithm. The sampling rate of the original image is increased when the video is upscaled, and decreased when the video is downscaled. A Vertical resampler is used to perform a vertical interpolation by a factor of vI , and a decimation by a factor of vD . A Horizontal resampler is used to perform a vertical interpolation by a factor of hI , and a decimation by a factor of hD . Both horizontal and vertical low pass filters are designed to minimize the aliasing effect. The frequency response of the low pass filter has the following characteristics:

$$H(\omega) = \begin{cases} I & \text{when } 0 \leq |\omega| \leq \min\left(\frac{\pi}{I}, \frac{\pi}{D}\right) \\ 0 & \text{otherwise} \end{cases}$$

Taking into account the linear phase condition and anticipating the filter length M , the desired frequency response is modified.

$$H(\omega) = \begin{cases} Ie^{-j\omega\frac{M}{2}} & \text{when } 0 \leq |\omega| \leq \min\left(\frac{\pi}{I}, \frac{\pi}{D}\right) \\ 0 & \text{otherwise} \end{cases}$$

Figure 32-6: Video Resampler Architecture



The impulse response of the low pass filter defined is:

$$h(n) = \begin{cases} I \times \frac{\omega_c}{\pi} & \text{when } n = 0 \\ I \times \frac{\omega_c}{\pi} \times \frac{\sin(\omega_c n)}{\omega_c n} & \text{otherwise} \end{cases}$$

Or, for the filter of length M :

$$h(n) = \begin{cases} I \times \frac{\omega_c}{\pi} & \text{when } n = \frac{M}{2} \\ I \times \frac{\omega_c}{\pi} \times \frac{\sin\left(\omega_c\left(n - \frac{M}{2}\right)\right)}{\omega_c\left(n - \frac{M}{2}\right)} & \text{otherwise} \end{cases}$$

SAMA5D3 SERIES

This ideal filter is non-causal and cannot be realized. The unit sample response $h(n)$ is infinite in duration and must be truncated depending on the expected length M of the filter. This truncation is equivalent to the multiplication of the impulse response by a window function $w(n)$.

Table 32-48: Window Function for a Filter Length M

Name of Window Function	Time Domain Sequence $w(n)$
Barlett	$1 - \frac{2 \times \left n - \frac{M-1}{2} \right }{M-1}$
Blackman	$0.42 - 0.5 \times \cos \frac{2\pi n}{M-1} + 0.08 \times \cos \frac{4\pi n}{M-1}$
Hamming	$0.54 - 0.46 \times \cos \frac{2\pi n}{M-1}$
Hanning	$0.5 - 0.5 \times \cos \frac{2\pi n}{M-1}$

The horizontal resampler includes an 8-phase 5-tap filter equivalent to a 40-tap FIR described in [Figure 32-7](#).

The vertical resampler includes an 8-phase 3-tap filter equivalent to a 24-tap FIR described in [Figure 32-8](#).

Figure 32-7: Horizontal Resampler Filter Architecture

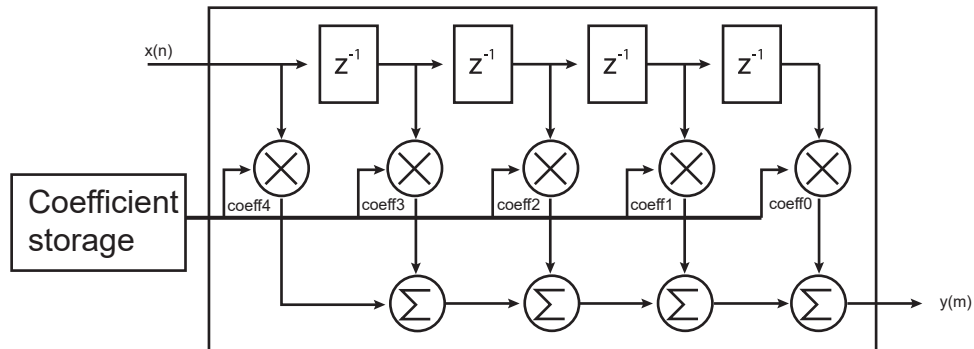
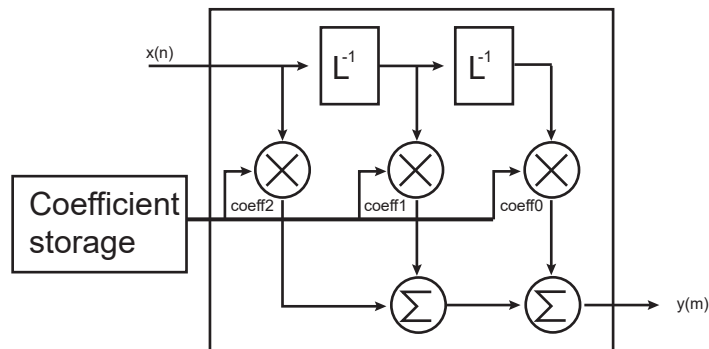


Figure 32-8: Vertical Resampler Filter Architecture



32.6.9.2 Horizontal Scaler

The XMEMSIZE field of the LCDC_HEOCFG4 register indicates the horizontal size minus one of the image in the system memory. The XSIZE field of the LCDC_HEOCFG3 register contains the horizontal size minus one of the window. The SCALEN bit of the LCDC_HEOCFG13 register is set to one. The scaling factor is programmed in the XFACTOR field of the LCDC_HEOCFG13 register. Use the following algorithm to find the XFACTOR value:

$$XFACTOR_{1st} = \text{floor}\left(\frac{8 \times 256 \times XMEMSIZE - 256 \times XPHIDEF}{XSIZE}\right)$$

$$XFACTOR_{1st} = XFACTOR_{1st} + 1$$

$$XMEMSIZE_{max} = \text{floor}\left(\frac{XFACTOR_{1st} \times XSIZE + 256 \times XPHIDEF}{2048}\right)$$

$$\begin{cases} XFACTOR = XFACTOR_{1st} - 1 & \text{when}(XMEMSIZE_{max} > XMEMSIZE) \\ XFACTOR = XFACTOR_{1st} & \text{otherwise} \end{cases}$$

32.6.9.3 Vertical Scaler

The YMEMSIZE field of the LCDC_HEOCFG4 register indicates the vertical size minus one of the image in the system memory. The YSIZE field of the LCDC_HEOCFG3 register contains the vertical size minus one of the window. The SCALEN bit of the LCDC_HEOCFG13 register is set to one. The scaling factor is programmed in the YFACTOR field of the LCDC_HEOCFG13 register.

$$YFACTOR_{1st} = \text{floor}\left(\frac{8 \times 256 \times YMEMSIZE - 256 \times YPHIDEF}{YSIZE}\right)$$

$$YFACTOR_{1st} = YFACTOR_{1st} + 1$$

$$YMEMSIZE_{max} = \text{floor}\left(\frac{YFACTOR_{1st} \times YSIZE + 256 \times YPHIDEF}{2048}\right)$$

$$\begin{cases} YFACTOR = YFACTOR_{1st} - 1 & \text{when}(YMEMSIZE_{max} > YMEMSIZE) \\ YFACTOR = YFACTOR_{1st} & \text{otherwise} \end{cases}$$

32.6.10 Hardware Cursor

The LCD module integrates a hardware cursor database. This layer features only a minimal set of color among 1, 2, 4 and 8 bpp palletized and 16 bpp to 32 bpp true color. The cursor size is limited to 128 x 128 pixels.

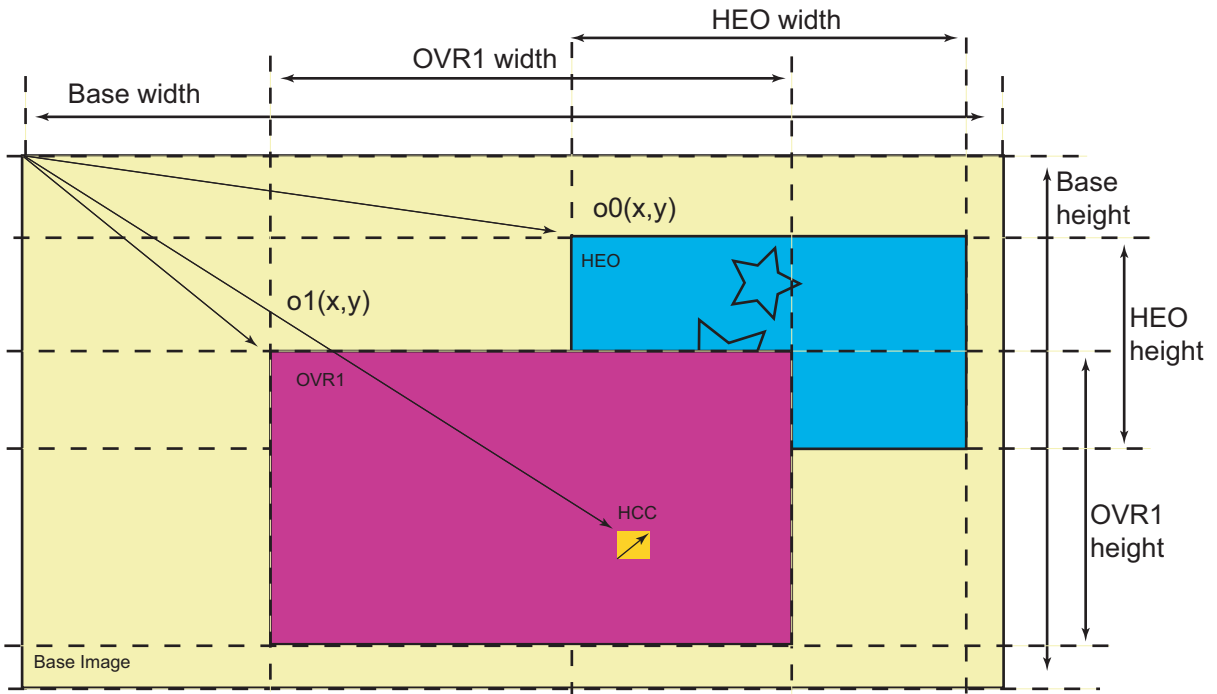
32.6.11 Color Combine Unit

32.6.11.1 Window Overlay

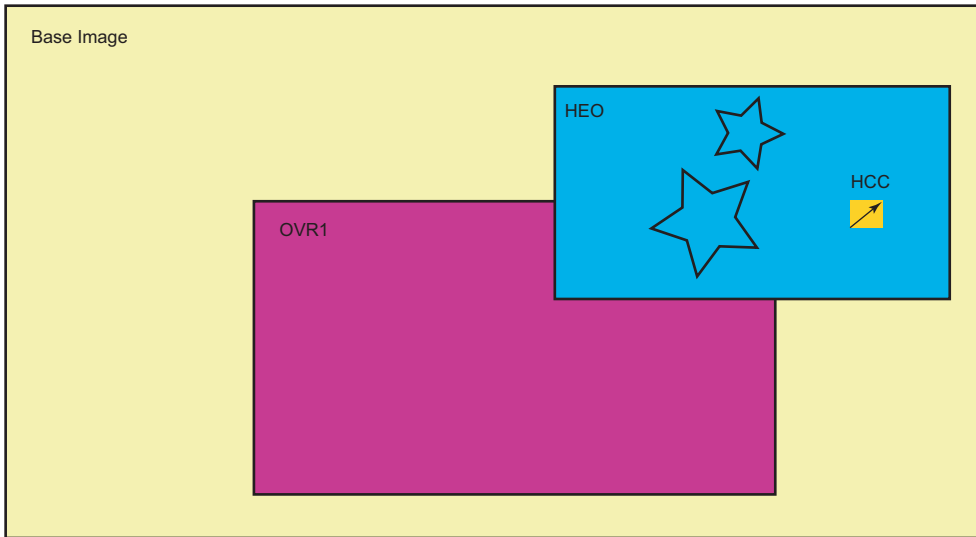
The LCD module provides hardware support for multiple “overlay plane” that can be used to display windows on top of the image without destroying the image located below. The overlay image can use any color depth. Using the overlay alleviates the need to re-render the occluded portion of the image. When pixels are combined together through the alpha blending unit, a new color is created. This new pixel is called an iterated pixel and is passed to the next blending stage. Then, this pixel may be combined again with another pixel. The VIDPRI bit located in the LCDC_HEOCFG12 register configures the video priority algorithm used to display the layers. When the VIDPRI bit is cleared, the OVR1 layer is located above the HEO layer. When the VIDPRI bit is set, OVR1 is located below the HEO layer.

SAMA5D3 SERIES

Figure 32-9: Overlay Example with Two Different Video Prioritization Algorithms



Video Prioritization Algorithm 1 : HCC > OVR1 > HEO > BASE



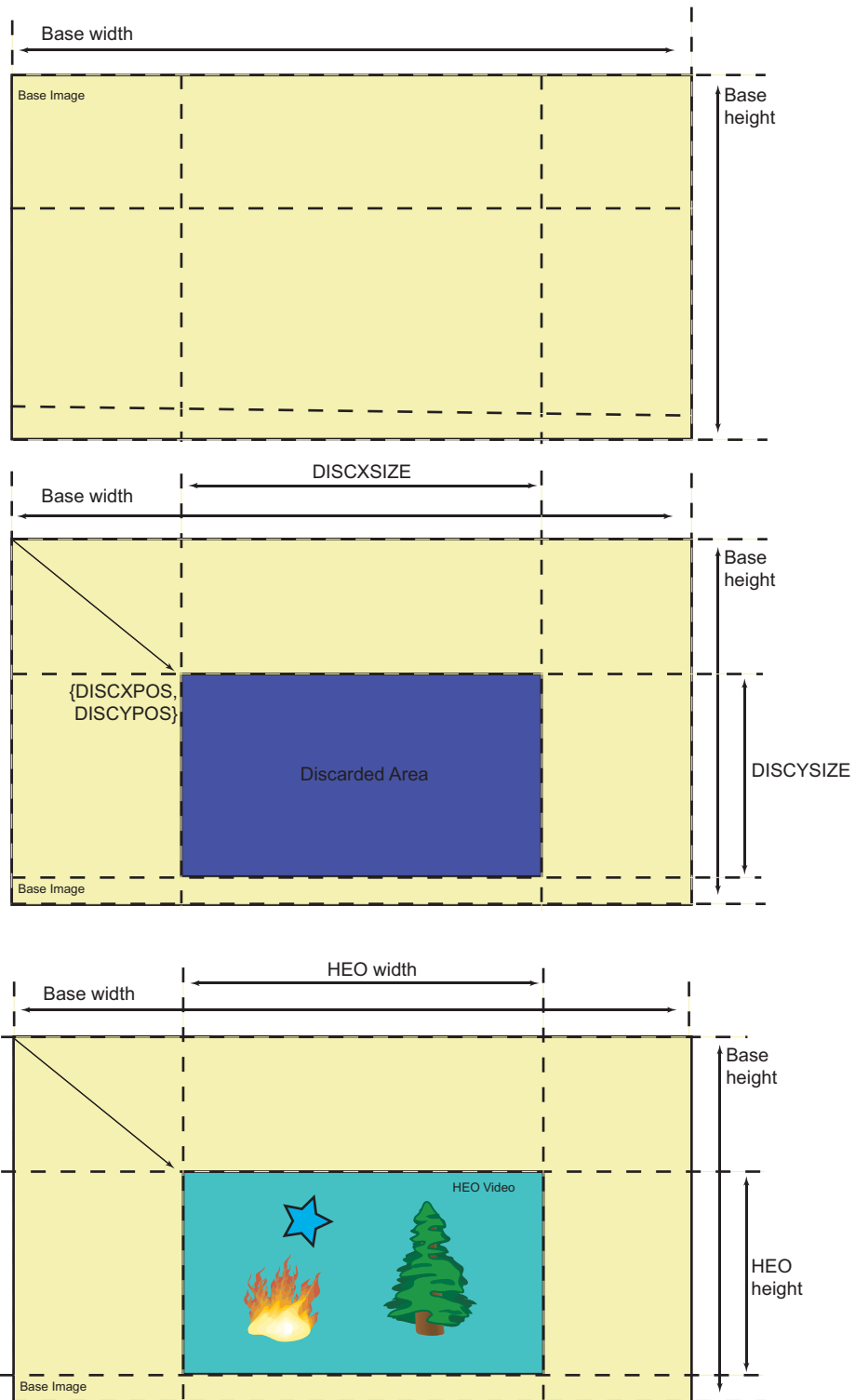
Video Prioritization Algorithm 2 : HCC > HEO > OVR1 > BASE

32.6.11.2 Base Layer with Window Overlay Optimization

When the base layer is combined with at least one active overlay, the whole base layer frame is retrieved from the memory though it is not visible. A set of registers is used to disable the Base DMA when this condition is met. These registers are the following:

- LCDC_BASECFG5:
 - field DISCXPOS (Discard Area Horizontal Position)
 - field DISCYPOS (Discard Area Vertical Position)
- LCDC_BASECFG6:
 - field DISCXSIZE (Discard Area Horizontal Size)
 - field DISCYSIZE (Discard Area Vertical Size)
- LCDC_BASECFG4: bit DISCEN (Discard Area Enable)

Figure 32-10: Base Layer Discard Area



32.6.11.3 Overlay Blending

The blending function requires two pixels (one iterated from the previous blending stage and one from the current overlay color) and a set of blending configuration parameters. These parameters define the color operation.

Figure 32-11: Alpha Blender Function

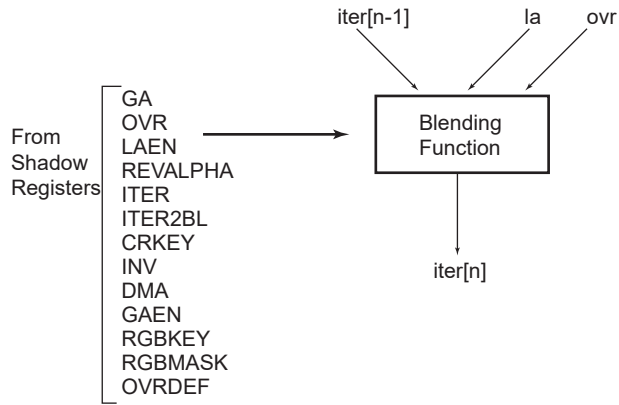
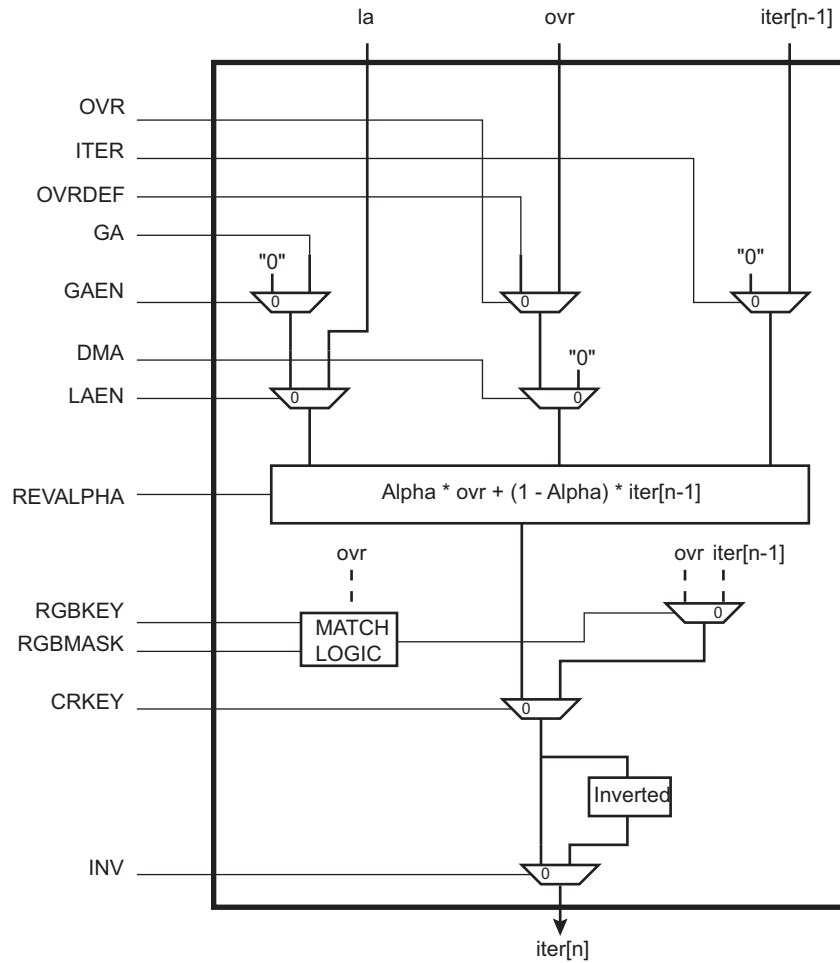


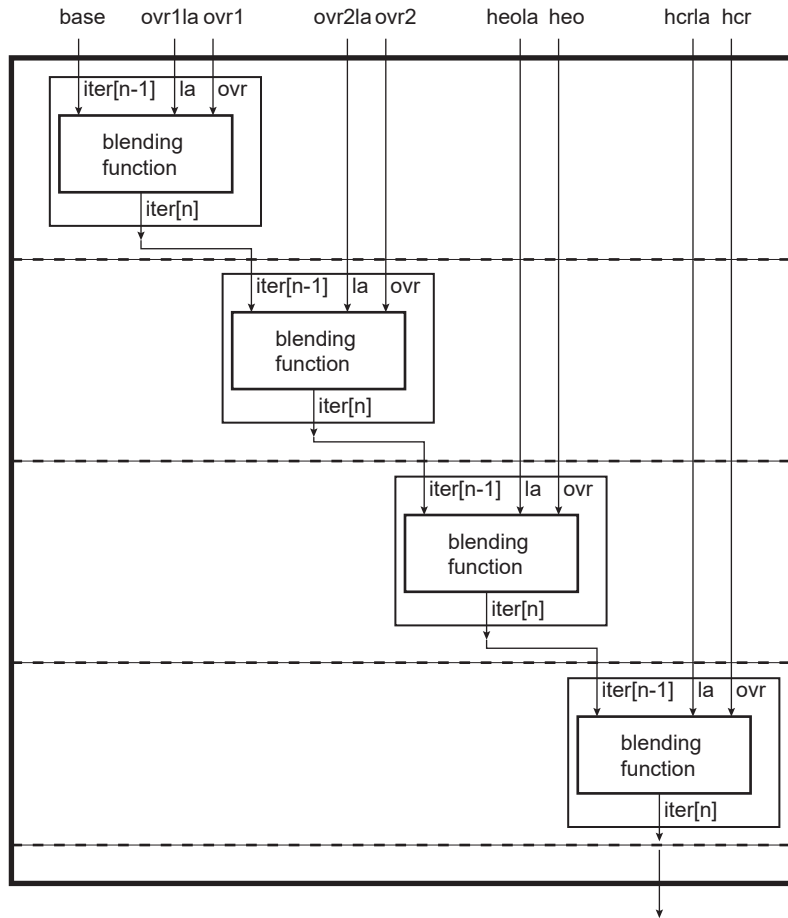
Figure 32-12: Alpha Blender Database



SAMA5D3 SERIES

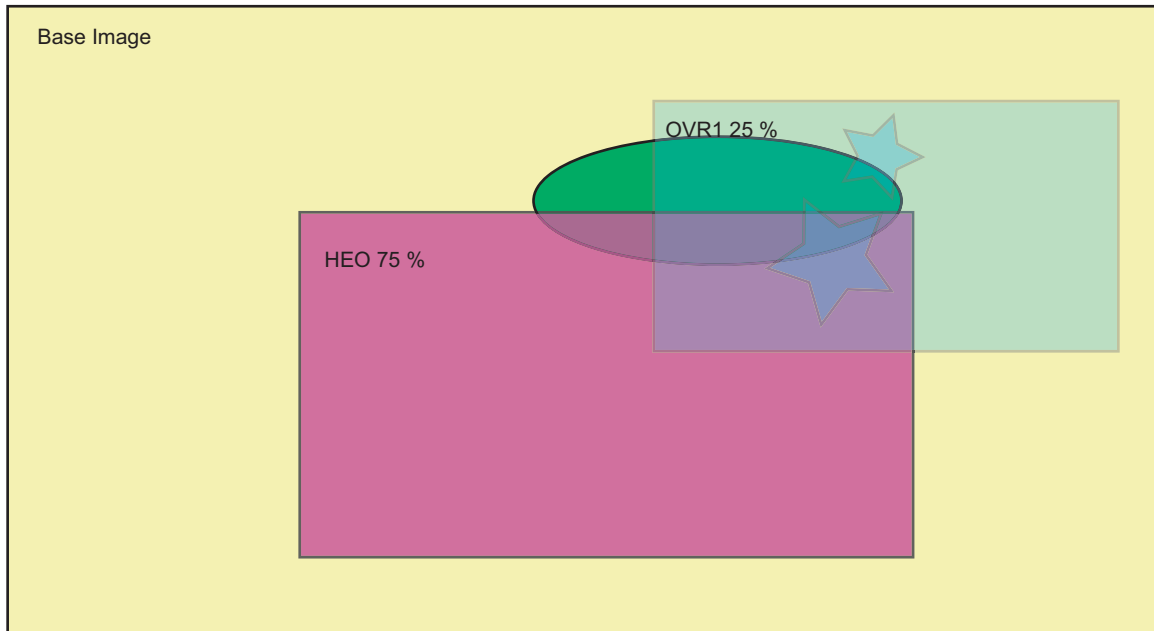
32.6.11.4 Global Alpha Blender

Figure 32-13: Global Alpha Blender



32.6.11.5 Window Blending

Figure 32-14: 256-level Alpha Blending



Video Prioritization Algorithm 1: OVR1 > HEO > BASE

32.6.11.6 Color Keying

Color keying involves a method of bit-block image transfer (Blit). This entails blitting one image onto another where not all the pixels are copied. Blitting usually involves two bitmaps, a source bitmap and a destination bitmap. A raster operation (ROP) is performed to define whether the iterated color or the overlay color is to be visible or not.

Source Color Keying

If the masked overlay color matches the color key then the iterated color is selected, Source Color Keying is activated using the following configuration sequence:

1. Select the Overlay to Blit
2. Clear DSTKEY bit
3. Activate Color Keying—set CRKEY bit
4. Program Color Key writing RKEY, GKEY and BKEY fields
5. Program Color Mask writing RKEY, GKEY and BKEY fields

When the field RMASK, GMASK, or BMASK is set to zero, the comparison is disabled and the raster operation is activated.

Destination Color Keying

If the iterated masked color matches the color key then the overlay color is selected, Destination Color Keying is activated using the following configuration sequence:

1. Select the Overlay to Blit
2. Set DSTKEY bit
3. Activate Color Keying—set CRKEY bit
4. Program Color Key writing RKEY, GKEY and BKEY fields
5. Program Color Mask writing RKEY, GKEY and BKEY fields

When the field RMASK, GMASK, or BMASK is set to zero, the comparison is disabled and the raster operation is activated.

32.6.12 LCDC PWM Controller

This block generates the LCD contrast control signal (LCD_PWM) to make possible the control of the display's contrast by software. This is an 8-bit PWM (Pulse Width Modulation) signal that can be converted to an analog voltage with a simple passive filter.

SAMA5D3 SERIES

The PWM module has a free-running counter whose value is compared against a compare register (PWMCVAL field of the LCDC_LCDCFG6 register). If the value in the counter is less than that in the register, the output brings the value of the signal polarity (PWMPOL) bit in the PWM control register: LCDC_LCDCFG6. Otherwise, the opposite value is output. Thus, a periodic waveform with a pulse width proportional to the value in the compare register is generated.

Due to the comparison mechanism, the output pulse has a width between zero and 255 PWM counter cycles. Thus by adding a simple passive filter outside the chip, an analog voltage between 0 and $(255/256) \times V_{DD}$ can be obtained (for the positive polarity case, or between $(1/256) \times V_{DD}$ and V_{DD} for the negative polarity case). Other voltage values can be obtained by adding active external circuitry.

For PWM mode, the counter frequency can be adjusted to four different values using the PWMPS field of the LCDC_LCDCFG6 register.

The PWM module can be fed with the slow clock or the system clock, depending on the CLKPWMSEL bit of the LCDC_CFG0 register.

32.6.13 Post Processing Controller

The output stream of pixels can be either displayed on the screen or written to the memory using the Post Processing Controller (PPC). When the PPC is used, the screen display is disabled, but synchronization signals remain active (if enabled). The stream of pixel can be written in RGB mode or encoded in YCbCr 422 mode. A programmable color space conversion stage is available.

$$\begin{bmatrix} Y \\ U \\ V \end{bmatrix} = \begin{bmatrix} CSCYR & CSCYG & CSCYB \\ CSCUR & CSCUG & CSCUB \\ CSCVR & CSCVG & CSCVB \end{bmatrix} \cdot \begin{bmatrix} R \\ G \\ B \end{bmatrix} + \begin{bmatrix} Yoff \\ Uoff \\ Voff \end{bmatrix}$$

32.6.14 LCD Overall Performance

32.6.14.1 Color Lookup Table (CLUT)

Table 32-49: CLUT Pixel Performance

CLUT Mode	Pixels/Cycle	Rotation	Scaling
1 bpp	64	Not supported	Supported
2 bpp	32	Not supported	Supported
3 bpp	16	Not supported	Supported
4 bpp	8	Not supported	Supported

32.6.14.2 RGB Mode Fetch Performance

Table 32-50: RGB Mode Performance

RGB Mode	Pixels/Cycle Memory Burst Mode	Rotation Peak Random Memory Access (pixels/cycle)		Scaling Burst Mode or Rotation Optimization Available
		Rotation Optimization ⁽¹⁾	Normal Mode	
12 bpp	4	1	0.2	Supported
16 bpp	4	1	0.2	Supported
18 bpp	2	1	0.2	Supported
18 bpp RGB PACKED	2.666	Not supported	0.2	Supported
19 bpp	2	1	0.2	Supported
19 bpp PACKED	2.666	Not Supported	0.2	Supported
24 bpp	2	1	0.2	Supported
24 bpp PACKED	2.666	Not Supported	0.2	Supported
25 bpp	2	1	0.2	Supported
32 bpp	2	1	0.2	Supported

Note 1: Rotation optimization = AHB lock asserted on consecutive single access.

SAMA5D3 SERIES

32.6.14.3 YUV Mode Fetch Performance

Table 32-51: Single Stream for 0 Wait State Memory

YUV Mode	Pixels/Cycle Memory Burst Mode	Rotation Peak Random Memory Access (pixels/cycle)		Scaling Burst Mode or Rotation Optimization Is Available
		Rotation Optimization ⁽¹⁾	Normal Mode	
32 bpp AYUV	2	1	0.2	Supported
16 bpp 422	4	Not Supported	Not Supported	Supported

Note 1: Rotation optimization = AHB lock asserted on consecutive single access

Table 32-52: Multiple Stream for 0 Wait State Memory

YUV Mode	Comp/Cycle Memory Burst Mode	Rotation Peak Random Memory Access (pixels/cycle)		Scaling Burst Mode or Rotation Optimization Is Available
		Rotation Optimization	Normal Mode	
16 bpp 422 semiplanar	8 Y, 4 UV	1 Y, 1 UV (2 streams)	0.2 Y 0.2 UV (2 streams)	Supported
16 bpp 422 planar	8 Y, 8 U, 8 V	1 Y, 1 U, 1 V (3 streams)	0.2 Y, 0.2 U, 0.2 V (3 streams)	Supported
12 bpp 4:2:0 semiplanar	8 Y, 4 UV	1 Y, 1 UV (2 streams)	0.2 Y 0.2 UV (2 streams)	Supported
12 bpp 4:2:0 planar	8 Y, 8 U, 8 V	1 Y, 1 U, 1 V (3 streams)	0.2 Y, 0.2 U, 0.2 V (3 streams)	Supported

Note: In order to provide more bandwidth, when multiple streams are used to transfer Y, UV, U or V components, two AHB interfaces are recommended or multiple AXI ID are required.

Table 32-53: YUV Planar Overall Performance 1 AHB Interface for 0 Wait State Memory

YUV Mode	Pix/Cycle Memory Burst Mode	Rotation Peak Random Memory Access (pixels/cycle)		Scaling Burst Mode or Rotation Optimization Is Available
		Rotation Optimization	Normal Mode	
16 bpp 422 semiplanar	4	0.66	0.132	Supported
16 bpp 422 planar	4	0.5	0.1	Supported
12 bpp 4:2:0 semiplanar	5.32	0.8	0.16	Supported
12 bpp 4:2:0 planar	5.32	0.66	0.132	Supported

Note: In order to provide more bandwidth, when multiple streams are used to transfer Y, UV, U or V components, two AHB interfaces are recommended or multiple AXI ID are required.

32.6.15 Input FIFO

The LCD module includes one input FIFO per overlay. These input FIFOs are used to buffer the AHB burst and serialize the stream of pixels.

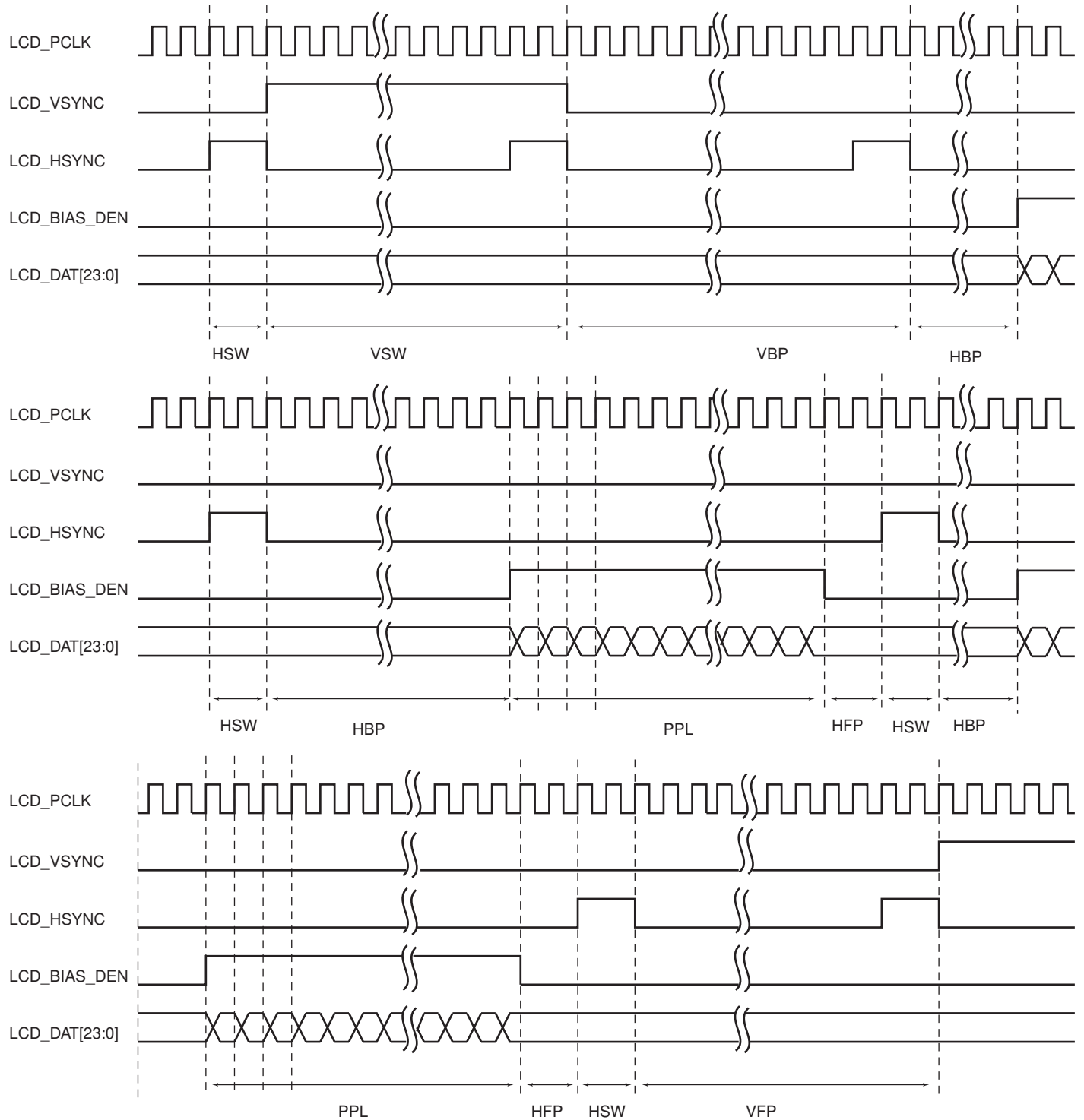
32.6.16 Output FIFO

The LCD module includes one output FIFO that stores the blended pixel.

32.6.17 Output Timing Generation

32.6.17.1 Active Display Timing Mode

Figure 32-15: Active Display Timing



SAMA5D3 SERIES

Figure 32-16: Vertical Synchronization Timing (part 1)

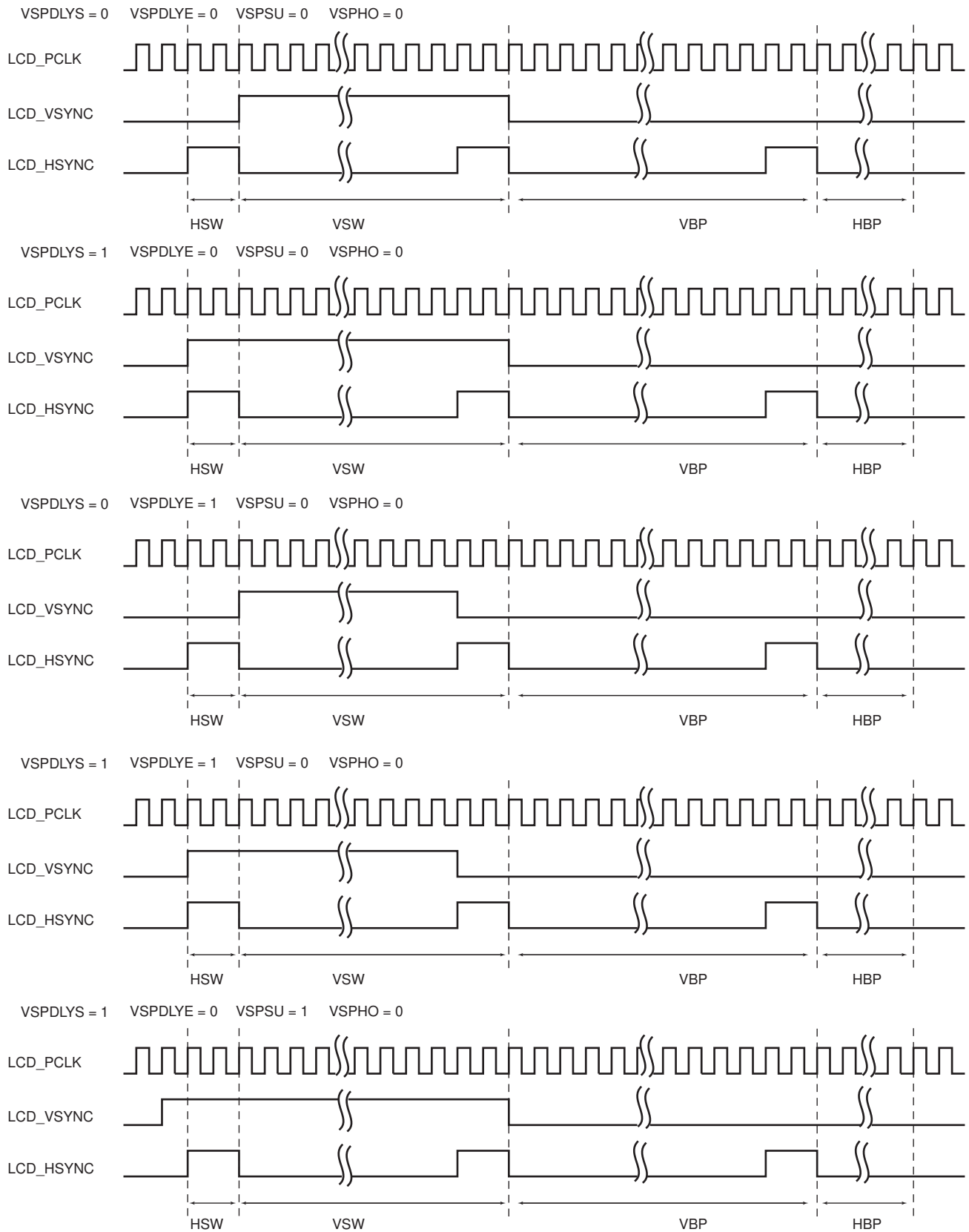
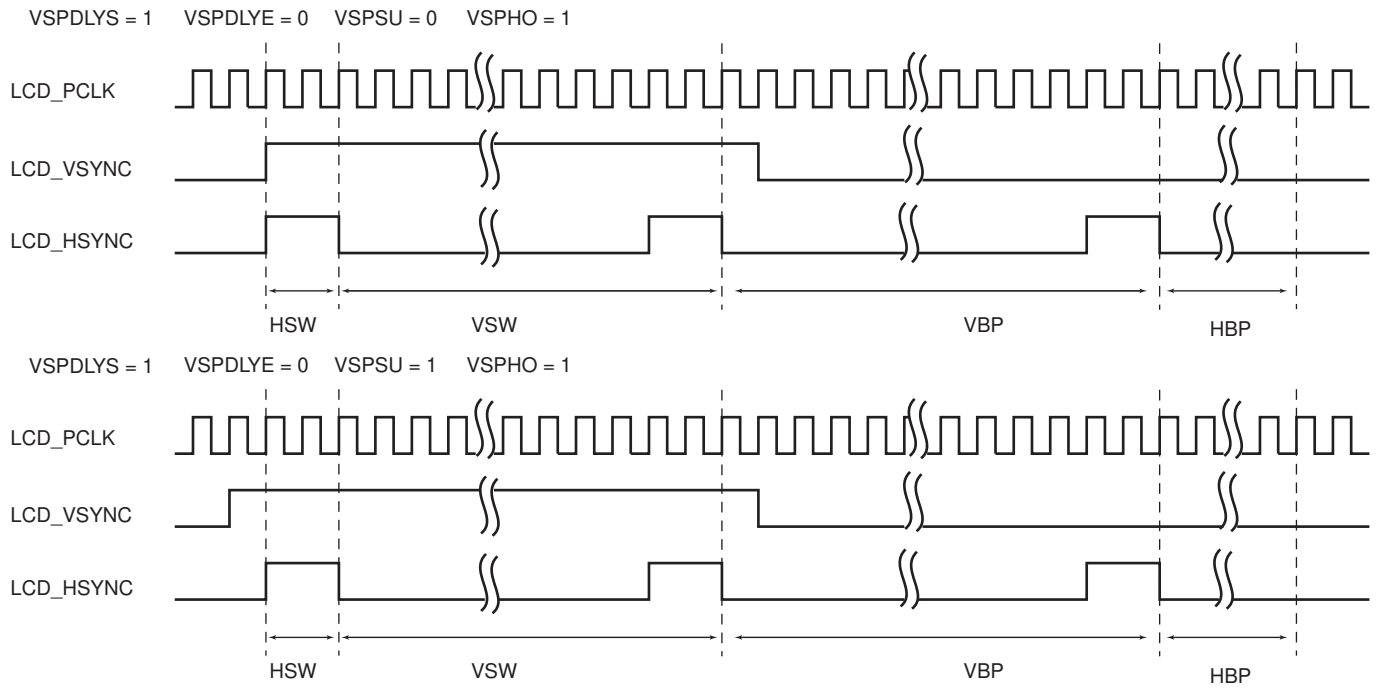


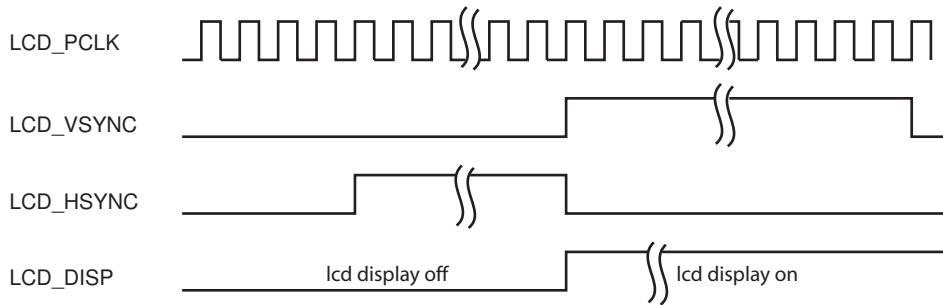
Figure 32-17: Vertical Synchronization Timing (part 2)



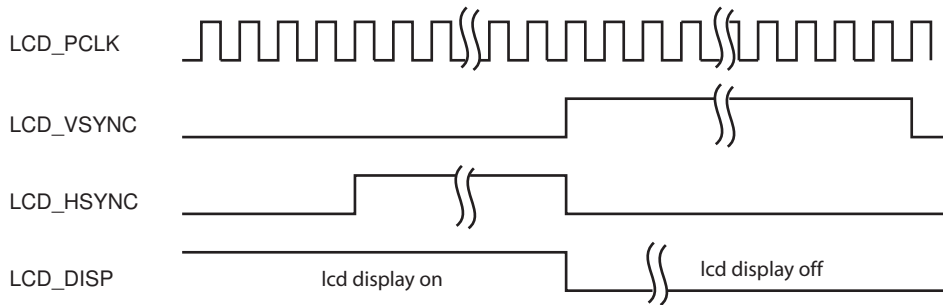
SAMA5D3 SERIES

Figure 32-18: DISP Signal Timing Diagram

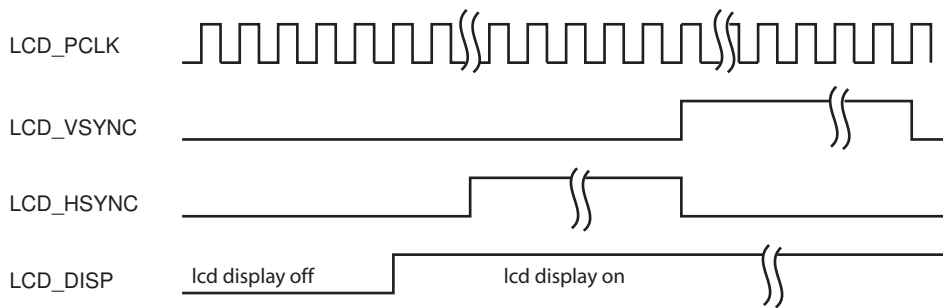
VSPDLYE = 0 VSPHO = 0 DISPPOL = 0 DISPDLY = 0



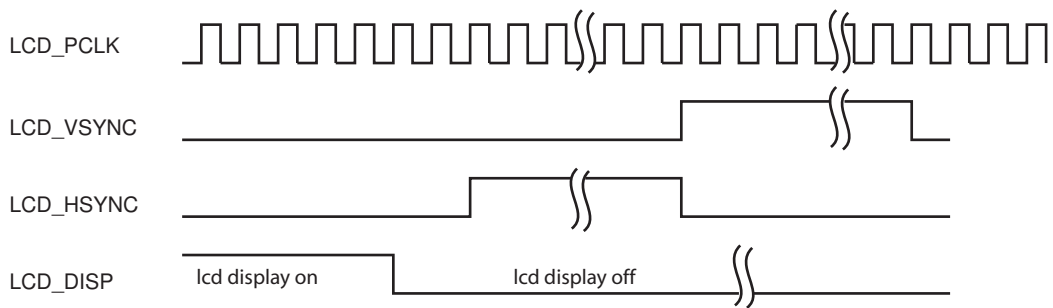
VSPDLYE = 0 VSPHO = 0 DISPPOL = 0 DISPDLY = 0



VSPDLYE = 0 VSPHO = 0 DISPPOL = 0 DISPDLY = 1



VSPDLYE = 0 VSPHO = 0 DISPPOL = 0 DISPDLY = 1



32.6.18 Output Format

32.6.18.1 Active Mode Output Pin Assignment

Table 32-54: Active Mode Output with 24-bit Bus Interface Configuration

Pin ID	TFT 24 bits	TFT 18 bits	TFT 16 bits	TFT 12 bits
LCD_DAT[23]	R[7]	–	–	–
LCD_DAT[22]	R[6]	–	–	–
LCD_DAT[21]	R[5]	–	–	–
LCD_DAT[20]	R[4]	–	–	–
LCD_DAT[19]	R[3]	–	–	–
LCD_DAT[18]	R[2]	–	–	–
LCD_DAT[17]	R[1]	R[5]	–	–
LCD_DAT[16]	R[0]	R[4]	–	–
LCD_DAT[15]	G[7]	R[3]	R[4]	–
LCD_DAT[14]	G[6]	R[2]	R[3]	–
LCD_DAT[13]	G[5]	R[1]	R[2]	–
LCD_DAT[12]	G[4]	R[0]	R[1]	–
LCD_DAT[11]	G[3]	G[5]	R[0]	R[3]
LCD_DAT[10]	G[2]	G[4]	G[5]	R[2]
LCD_DAT[9]	G[1]	G[3]	G[4]	R[1]
LCD_DAT[8]	G[0]	G[2]	G[3]	R[0]
LCD_DAT[7]	B[7]	G[1]	G[2]	G[3]
LCD_DAT[6]	B[6]	G[0]	G[1]	G[2]
LCD_DAT[5]	B[5]	B[5]	G[0]	G[1]
LCD_DAT[4]	B[4]	B[4]	B[4]	G[0]
LCD_DAT[3]	B[3]	B[3]	B[3]	B[3]
LCD_DAT[2]	B[2]	B[2]	B[2]	B[2]
LCD_DAT[1]	B[1]	B[1]	B[1]	B[1]
LCD_DAT[0]	B[0]	B[0]	B[0]	B[0]

SAMA5D3 SERIES

32.7 LCD Controller (LCDC) User Interface

Table 32-55: Register Mapping

Offset	Register	Name	Access	Reset
0x00000000	LCD Controller Configuration Register 0	LCDC_LCDCFG0	Read/Write	0x00000000
0x00000004	LCD Controller Configuration Register 1	LCDC_LCDCFG1	Read/Write	0x00000000
0x00000008	LCD Controller Configuration Register 2	LCDC_LCDCFG2	Read/Write	0x00000000
0x0000000C	LCD Controller Configuration Register 3	LCDC_LCDCFG3	Read/Write	0x00000000
0x00000010	LCD Controller Configuration Register 4	LCDC_LCDCFG4	Read/Write	0x00000000
0x00000014	LCD Controller Configuration Register 5	LCDC_LCDCFG5	Read/Write	0x00000000
0x00000018	LCD Controller Configuration Register 6	LCDC_LCDCFG6	Read/Write	0x00000000
0x0000001C	Reserved	–	–	–
0x00000020	LCD Controller Enable Register	LCDC_LCDEN	Write-only	–
0x00000024	LCD Controller Disable Register	LCDC_LCDDIS	Write-only	–
0x00000028	LCD Controller Status Register	LCDC_LCDSR	Read-only	0x00000000
0x0000002C	LCD Controller Interrupt Enable Register	LCDC_LCDIER	Write-only	–
0x00000030	LCD Controller Interrupt Disable Register	LCDC_LCDIDR	Write-only	–
0x00000034	LCD Controller Interrupt Mask Register	LCDC_LCDIMR	Read-only	0x00000000
0x00000038	LCD Controller Interrupt Status Register	LCDC_LCDISR	Read-only	0x00000000
0x0000003C	LCD Controller Attribute Register	LCDC_ATTR	Write-only	–
0x00000040	Base Layer Channel Enable Register	LCDC_BASECHER	Write-only	–
0x00000044	Base Layer Channel Disable Register	LCDC_BASECHDR	Write-only	–
0x00000048	Base Layer Channel Status Register	LCDC_BASECHSR	Read-only	0x00000000
0x0000004C	Base Layer Interrupt Enable Register	LCDC_BASEIER	Write-only	–
0x00000050	Base Layer Interrupt Disabled Register	LCDC_BASEIDR	Write-only	–
0x00000054	Base Layer Interrupt Mask Register	LCDC_BASEIMR	Read-only	0x00000000
0x00000058	Base Layer Interrupt Status Register	LCDC_BASEISR	Read-only	0x00000000
0x0000005C	Base DMA Head Register	LCDC_BASEHEAD	Read/Write	0x00000000
0x00000060	Base DMA Address Register	LCDC_BASEADDR	Read/Write	0x00000000
0x00000064	Base DMA Control Register	LCDC_BASECTRL	Read/Write	0x00000000
0x00000068	Base DMA Next Register	LCDC_BASENEXT	Read/Write	0x00000000
0x0000006C	Base Layer Configuration Register 0	LCDC_BASECFG0	Read/Write	0x00000000
0x00000070	Base Layer Configuration Register 1	LCDC_BASECFG1	Read/Write	0x00000000
0x00000074	Base Layer Configuration Register 2	LCDC_BASECFG2	Read/Write	0x00000000
0x00000078	Base Layer Configuration Register 3	LCDC_BASECFG3	Read/Write	0x00000000
0x0000007C	Base Layer Configuration Register 4	LCDC_BASECFG4	Read/Write	0x00000000
0x00000080	Base Layer Configuration Register 5	LCDC_BASECFG5	Read/Write	0x00000000
0x00000084	Base Layer Configuration Register 6	LCDC_BASECFG6	Read/Write	0x00000000
0x00000088–0x0000013C	Reserved	–	–	–

Table 32-55: Register Mapping (Continued)

Offset	Register	Name	Access	Reset
0x00000140	Overlay 1 Channel Enable Register	LCDC_OVR1CHER	Write-only	–
0x00000144	Overlay 1 Channel Disable Register	LCDC_OVR1CHDR	Write-only	–
0x00000148	Overlay 1 Channel Status Register	LCDC_OVR1CHSR	Read-only	0x00000000
0x0000014C	Overlay 1 Interrupt Enable Register	LCDC_OVR1IER	Write-only	–
0x00000150	Overlay 1 Interrupt Disable Register	LCDC_OVR1IDR	Write-only	–
0x00000154	Overlay 1 Interrupt Mask Register	LCDC_OVR1IMR	Read-only	0x00000000
0x00000158	Overlay 1 Interrupt Status Register	LCDC_OVR1ISR	Read-only	0x00000000
0x0000015C	Overlay 1 DMA Head Register	LCDC_OVR1HEAD	Read/Write	0x00000000
0x00000160	Overlay 1 DMA Address Register	LCDC_OVR1ADDR	Read/Write	0x00000000
0x00000164	Overlay 1 DMA Control Register	LCDC_OVR1CTRL	Read/Write	0x00000000
0x00000168	Overlay 1 DMA Next Register	LCDC_OVR1NEXT	Read/Write	0x00000000
0x0000016C	Overlay 1 Configuration Register 0	LCDC_OVR1CFG0	Read/Write	0x00000000
0x00000170	Overlay 1 Configuration Register 1	LCDC_OVR1CFG1	Read/Write	0x00000000
0x00000174	Overlay 1 Configuration Register 2	LCDC_OVR1CFG2	Read/Write	0x00000000
0x00000178	Overlay 1 Configuration Register 3	LCDC_OVR1CFG3	Read/Write	0x00000000
0x0000017C	Overlay 1 Configuration Register 4	LCDC_OVR1CFG4	Read/Write	0x00000000
0x00000180	Overlay 1 Configuration Register 5	LCDC_OVR1CFG5	Read/Write	0x00000000
0x00000184	Overlay 1 Configuration Register 6	LCDC_OVR1CFG6	Read/Write	0x00000000
0x00000188	Overlay 1 Configuration Register 7	LCDC_OVR1CFG7	Read/Write	0x00000000
0x0000018C	Overlay 1 Configuration Register 8	LCDC_OVR1CFG8	Read/Write	0x00000000
0x00000190	Overlay 1 Configuration Register 9	LCDC_OVR1CFG9	Read/Write	0x00000000
0x00000194–0x0000023C	Reserved	–	–	–
0x00000240	Overlay 2 Channel Enable Register	LCDC_OVR2CHER	Write-only	–
0x00000244	Overlay 2 Channel Disable Register	LCDC_OVR2CHDR	Write-only	–
0x00000248	Overlay 2 Channel Status Register	LCDC_OVR2CHSR	Read-only	0x00000000
0x0000024C	Overlay 2 Interrupt Enable Register	LCDC_OVR2IER	Write-only	–
0x00000250	Overlay 2 Interrupt Disable Register	LCDC_OVR2IDR	Write-only	–
0x00000254	Overlay 2 Interrupt Mask Register	LCDC_OVR2IMR	Read-only	0x00000000
0x00000258	Overlay 2 Interrupt Status Register	LCDC_OVR2ISR	Read-only	0x00000000
0x0000025C	Overlay 2 DMA Head Register	LCDC_OVR2HEAD	Read/Write	0x00000000
0x00000260	Overlay 2 DMA Address Register	LCDC_OVR2ADDR	Read/Write	0x00000000
0x00000264	Overlay 2 DMA Control Register	LCDC_OVR2CTRL	Read/Write	0x00000000
0x00000268	Overlay 2 DMA Next Register	LCDC_OVR2NEXT	Read/Write	0x00000000
0x0000026C	Overlay 2 Configuration Register 0	LCDC_OVR2CFG0	Read/Write	0x00000000
0x00000270	Overlay 2 Configuration Register 1	LCDC_OVR2CFG1	Read/Write	0x00000000
0x00000274	Overlay 2 Configuration Register 2	LCDC_OVR2CFG2	Read/Write	0x00000000

SAMA5D3 SERIES

Table 32-55: Register Mapping (Continued)

Offset	Register	Name	Access	Reset
0x00000278	Overlay 2 Configuration Register 3	LCDC_OVR2CFG3	Read/Write	0x00000000
0x0000027C	Overlay 2 Configuration Register 4	LCDC_OVR2CFG4	Read/Write	0x00000000
0x00000280	Overlay 2 Configuration Register 5	LCDC_OVR2CFG5	Read/Write	0x00000000
0x00000284	Overlay 2 Configuration Register 6	LCDC_OVR2CFG6	Read/Write	0x00000000
0x00000288	Overlay 2 Configuration Register 7	LCDC_OVR2CFG7	Read/Write	0x00000000
0x0000028C	Overlay 2 Configuration Register 8	LCDC_OVR2CFG8	Read/Write	0x00000000
0x00000290	Overlay 2 Configuration Register 8	LCDC_OVR2CFG9	Read/Write	0x00000000
0x00000294–0x0000033C	Reserved	–	–	–
0x00000340	High End Overlay Channel Enable Register	LCDC_HEOCHER	Write-only	–
0x00000344	High End Overlay Channel Disable Register	LCDC_HEOCHDR	Write-only	–
0x00000348	High End Overlay Channel Status Register	LCDC_HEOCHSR	Read-only	0x00000000
0x0000034C	High End Overlay Interrupt Enable Register	LCDC_HEOIER	Write-only	–
0x00000350	High End Overlay Interrupt Disable Register	LCDC_HEOIDR	Write-only	–
0x00000354	High End Overlay Interrupt Mask Register	LCDC_HEOIMR	Read-only	0x00000000
0x00000358	High End Overlay Interrupt Status Register	LCDC_HEOISR	Read-only	0x00000000
0x0000035C	High End Overlay DMA Head Register	LCDC_HEOHEAD	Read/Write	0x00000000
0x00000360	High End Overlay DMA Address Register	LCDC_HEOADDR	Read/Write	0x00000000
0x00000364	High End Overlay DMA Control Register	LCDC_HEOCTRL	Read/Write	0x00000000
0x00000368	High End Overlay DMA Next Register	LCDC_HEONEXT	Read/Write	0x00000000
0x0000036C	High End Overlay U-UV DMA Head Register	LCDC_HEOUHEAD	Read/Write	0x00000000
0x00000370	High End Overlay U-UV DMA Address Register	LCDC_HEOUADDR	Read/Write	0x00000000
0x00000374	High End Overlay U-UV DMA Control Register	LCDC_HEOUCTRL	Read/Write	0x00000000
0x00000378	High End Overlay U-UV DMA Next Register	LCDC_HEOUNEXT	Read/Write	0x00000000
0x0000037C	High End Overlay V DMA Head Register	LCDC_HEOVHEAD	Read/Write	0x00000000
0x00000380	High End Overlay V DMA Address Register	LCDC_HEOVADDR	Read/Write	0x00000000
0x00000384	High End Overlay V DMA Control Register	LCDC_HEOVCTRL	Read/Write	0x00000000
0x00000388	High End Overlay V DMA Next Register	LCDC_HEOVNEXT	Read/Write	0x00000000
0x0000038C	High End Overlay Configuration Register 0	LCDC_HEOCFG0	Read/Write	0x00000000
0x00000390	High End Overlay Configuration Register 1	LCDC_HEOCFG1	Read/Write	0x00000000
0x00000394	High End Overlay Configuration Register 2	LCDC_HEOCFG2	Read/Write	0x00000000
0x00000398	High End Overlay Configuration Register 3	LCDC_HEOCFG3	Read/Write	0x00000000
0x0000039C	High End Overlay Configuration Register 4	LCDC_HEOCFG4	Read/Write	0x00000000
0x000003A0	High End Overlay Configuration Register 5	LCDC_HEOCFG5	Read/Write	0x00000000
0x000003A4	High End Overlay Configuration Register 6	LCDC_HEOCFG6	Read/Write	0x00000000
0x000003A8	High End Overlay Configuration Register 7	LCDC_HEOCFG7	Read/Write	0x00000000

Table 32-55: Register Mapping (Continued)

Offset	Register	Name	Access	Reset
0x000003AC	High End Overlay Configuration Register 8	LCDC_HEOCFG8	Read/Write	0x00000000
0x000003B0	High End Overlay Configuration Register 9	LCDC_HEOCFG9	Read/Write	0x00000000
0x000003B4	High End Overlay Configuration Register 10	LCDC_HEOCFG10	Read/Write	0x00000000
0x000003B8	High End Overlay Configuration Register 11	LCDC_HEOCFG11	Read/Write	0x00000000
0x000003BC	High End Overlay Configuration Register 12	LCDC_HEOCFG12	Read/Write	0x00000000
0x000003C0	High End Overlay Configuration Register 13	LCDC_HEOCFG13	Read/Write	0x00000000
0x000003C4	High End Overlay Configuration Register 14	LCDC_HEOCFG14	Read/Write	0x00000000
0x000003C8	High End Overlay Configuration Register 15	LCDC_HEOCFG15	Read/Write	0x00000000
0x000003CC	High End Overlay Configuration Register 16	LCDC_HEOCFG16	Read/Write	0x00000000
0x000003D0	High End Overlay Configuration Register 17	LCDC_HEOCFG17	Read/Write	0x00000000
0x000003D4	High End Overlay Configuration Register 18	LCDC_HEOCFG18	Read/Write	0x00000000
0x000003D8	High End Overlay Configuration Register 19	LCDC_HEOCFG19	Read/Write	0x00000000
0x000003DC	High End Overlay Configuration Register 20	LCDC_HEOCFG20	Read/Write	0x00000000
0x000003E0	High End Overlay Configuration Register 21	LCDC_HEOCFG21	Read/Write	0x00000000
0x000003E4	High End Overlay Configuration Register 22	LCDC_HEOCFG22	Read/Write	0x00000000
0x000003E8	High End Overlay Configuration Register 23	LCDC_HEOCFG23	Read/Write	0x00000000
0x000003EC	High End Overlay Configuration Register 24	LCDC_HEOCFG24	Read/Write	0x00000000
0x000003F0	High End Overlay Configuration Register 25	LCDC_HEOCFG25	Read/Write	0x00000000
0x000003F4	High End Overlay Configuration Register 26	LCDC_HEOCFG26	Read/Write	0x00000000
0x000003F8	High End Overlay Configuration Register 27	LCDC_HEOCFG27	Read/Write	0x00000000
0x000003FC	High End Overlay Configuration Register 28	LCDC_HEOCFG28	Read/Write	0x00000000
0x00000400	High End Overlay Configuration Register 29	LCDC_HEOCFG29	Read/Write	0x00000000
0x00000404	High End Overlay Configuration Register 30	LCDC_HEOCFG30	Read/Write	0x00000000
0x00000408	High End Overlay Configuration Register 31	LCDC_HEOCFG31	Read/Write	0x00000000
0x0000040C	High End Overlay Configuration Register 32	LCDC_HEOCFG32	Read/Write	0x00000000
0x00000410	High End Overlay Configuration Register 33	LCDC_HEOCFG33	Read/Write	0x00000000
0x00000414	High End Overlay Configuration Register 34	LCDC_HEOCFG34	Read/Write	0x00000000
0x00000418	High End Overlay Configuration Register 35	LCDC_HEOCFG35	Read/Write	0x00000000
0x0000041C	High End Overlay Configuration Register 36	LCDC_HEOCFG36	Read/Write	0x00000000
0x00000420	High End Overlay Configuration Register 37	LCDC_HEOCFG37	Read/Write	0x00000000
0x00000424	High End Overlay Configuration Register 38	LCDC_HEOCFG38	Read/Write	0x00000000
0x00000428	High End Overlay Configuration Register 39	LCDC_HEOCFG39	Read/Write	0x00000000
0x0000042C	High End Overlay Configuration Register 40	LCDC_HEOCFG40	Read/Write	0x00000000
0x00000430	High End Overlay Configuration Register 41	LCDC_HEOCFG41	Read/Write	0x00000000
0x00000434–0x0000043C	Reserved	–	–	–
0x00000440	Hardware Cursor Channel Enable Register	LCDC_HCRCHER	Write-only	–

SAMA5D3 SERIES

Table 32-55: Register Mapping (Continued)

Offset	Register	Name	Access	Reset
0x00000444	Hardware Cursor Channel Disable Register	LCDC_HCRCHDR	Write-only	–
0x00000448	Hardware Cursor Channel Status Register	LCDC_HCRCHSR	Read-only	0x00000000
0x0000044C	Hardware Cursor Interrupt Enable Register	LCDC_HCRIER	Write-only	–
0x00000450	Hardware Cursor Interrupt Disable Register	LCDC_HCRIDR	Write-only	–
0x00000454	Hardware Cursor Interrupt Mask Register	LCDC_HCRIMR	Read-only	0x00000000
0x00000458	Hardware Cursor Interrupt Status Register	LCDC_HCRISR	Read-only	0x00000000
0x0000045C	Hardware Cursor DMA Head Register	LCDC_HCRHEAD	Read/Write	0x00000000
0x00000460	Hardware cursor DMA Address Register	LCDC_HCRADDR	Read/Write	0x00000000
0x00000464	Hardware Cursor DMA Control Register	LCDC_HCRCTRL	Read/Write	0x00000000
0x00000468	Hardware Cursor DMA Next Register	LCDC_HCRNEXT	Read/Write	0x00000000
0x0000046C	Hardware Cursor Configuration Register 0	LCDC_HCRCFG0	Read/Write	0x00000000
0x00000470	Hardware Cursor Configuration Register 1	LCDC_HCRCFG1	Read/Write	0x00000000
0x00000474	Hardware Cursor Configuration Register 2	LCDC_HCRCFG2	Read/Write	0x00000000
0x00000478	Hardware Cursor Configuration Register 3	LCDC_HCRCFG3	Read/Write	0x00000000
0x0000047C	Hardware Cursor Configuration Register 4	LCDC_HCRCFG4	Read/Write	0x00000000
0x00000480	Reserved	–	–	–
0x00000484	Hardware Cursor Configuration Register 6	LCDC_HCRCFG6	Read/Write	0x00000000
0x00000488	Hardware Cursor Configuration Register 7	LCDC_HCRCFG7	Read/Write	0x00000000
0x0000048C	Hardware Cursor Configuration Register 8	LCDC_HCRCFG8	Read/Write	0x00000000
0x00000490	Hardware Cursor Configuration Register 9	LCDC_HCRCFG9	Read/Write	0x00000000
0x00000494–0x0000053C	Reserved	–	–	–
0x00000540	Post Processing Channel Enable Register	LCDC_PPCHER	Write-only	–
0x00000544	Post Processing Channel Disable Register	LCDC_PPCHDR	Write-only	–
0x00000548	Post Processing Channel Status Register	LCDC_PPCHSR	Read-only	0x00000000
0x0000054C	Post Processing Interrupt Enable Register	LCDC_PPIER	Write-only	–
0x00000550	Post Processing Interrupt Disable Register	LCDC_PPIDR	Write-only	–
0x00000554	Post Processing Interrupt Mask Register	LCDC_PPIMR	Read-only	0x00000000
0x00000558	Post Processing Interrupt Status Register	LCDC_PPISR	Read-only	0x00000000
0x0000055C	Post Processing Head Register	LCDC_PPHEAD	Read/Write	0x00000000
0x00000560	Post Processing Address Register	LCDC_PPADDR	Read/Write	0x00000000
0x00000564	Post Processing Control Register	LCDC_PPCTRL	Read/Write	0x00000000
0x00000568	Post Processing Next Register	LCDC_PPNEXT	Read/Write	0x00000000
0x0000056C	Post Processing Configuration Register 0	LCDC_PPCFG0	Read/Write	0x00000000
0x00000570	Post Processing Configuration Register 1	LCDC_PPCFG1	Read/Write	0x00000000
0x00000574	Post Processing Configuration Register 2	LCDC_PPCFG2	Read/Write	0x00000000
0x00000578	Post Processing Configuration Register 3	LCDC_PPCFG3	Read/Write	0x00000000

Table 32-55: Register Mapping (Continued)

Offset	Register	Name	Access	Reset
0x0000057C	Post Processing Configuration Register 4	LCDC_PPFCFG4	Read/Write	0x00000000
0x00000580	Post Processing Configuration Register 5	LCDC_PPFCFG5	Read/Write	0x00000000
0x00000584–0x000005FC	Reserved	–	–	–
0x00000600	Base CLUT Register 0	LCDC_BASECLUT0	Read/Write	0x00000000
...
0x000008FC	Base CLUT Register 255	LCDC_BASECLUT255	Read/Write	0x00000000
0x00000A00	Overlay 1 CLUT Register 0	LCDC_OVR1CLUT0	Read/Write	0x00000000
...
0x00000DFC	Overlay 1 CLUT Register 255	LCDC_OVR1CLUT255	Read/Write	0x00000000
0x00000E00	Overlay 2 CLUT Register 0	LCDC_OVR2CLUT0	Read/Write	0x00000000
...
0x000011FC	Overlay 2 CLUT Register 255	LCDC_OVR2CLUT255	Read/Write	0x00000000
0x00001200	High End Overlay CLUT Register 0	LCDC_HEOCLUT0	Read/Write	0x00000000
...
0x000015FC	High End Overlay CLUT Register 255	LCDC_HEOCLUT255	Read/Write	0x00000000
0x00001600	Hardware Cursor CLUT Register 0	LCDC_HCRCLUT0	Read/Write	0x00000000
...
0x000019FC	Hardware Cursor CLUT Register 255	LCDC_HCRCLUT255	Read/Write	0x00000000
0x00001A00–0x00001FFC	Reserved	–	–	–

Note 1: The CLUT registers are located in the RAM.

SAMA5D3 SERIES

32.7.1 LCD Controller Configuration Register 0

Name: LCDDC_LCDCFG0

Address: 0xF0030000

Access: Read/Write

31	30	29	28	27	26	25	24
–	–	–	–	–	–	–	–
23	22	21	20	19	18	17	16
CLKDIV							
15	14	13	12	11	10	9	8
–	–	CGDISPP	CGDISHCR	CGDISHEO	CGDISOVR2	CGDISOVR1	CGDISBASE
7	6	5	4	3	2	1	0
–	–	–	–	CLKPWMSEL	CLKSEL	–	CLKPOL

CLKPOL: LCD Controller Clock Polarity

0: Data/Control signals are launched on the rising edge of the Pixel Clock.

1: Data/Control signals are launched on the falling edge of the Pixel Clock.

CLKSEL: LCD Controller Clock Source Selection

0: The Asynchronous output stage of the LCD controller is fed by the System Clock.

1: The Asynchronous output state of the LCD controller is fed by the 2x System Clock.

CLKPWMSEL: LCD Controller PWM Clock Source Selection

0: The slow clock is selected and feeds the PWM module.

1: The system clock is selected and feeds the PWM module.

CGDISBASE: Clock Gating Disable Control for the Base Layer

0: Automatic Clock Gating is enabled for the Base Layer.

1: Clock is running continuously.

CGDISOVR1: Clock Gating Disable Control for the Overlay 1 Layer

0: Automatic Clock Gating is enabled for the Overlay 1 Layer.

1: Clock is running continuously.

CGDISOVR2: Clock Gating Disable Control for the Overlay 2 Layer

0: Automatic Clock Gating is enabled for the Overlay 2 Layer.

1: Clock is running continuously.

CGDISHEO: Clock Gating Disable Control for the High End Overlay

0: Automatic Clock Gating is enabled for the High End Overlay Layer.

1: Clock is running continuously.

CGDISHCR: Clock Gating Disable Control for the Hardware Cursor Layer

0: Automatic Clock Gating is enabled for the Hardware Cursor Layer.

1: Clock is running continuously.

CGDISPP: Clock Gating Disable Control for the Post Processing Layer

0: Automatic Clock Gating is enabled for the Post Processing Layer.

1: Clock is running continuously.

CLKDIV: LCD Controller Clock Divider

8-bit width clock divider for pixel clock LCD_PCLK.

$\text{pixel_clock} = \text{selected_clock} / (\text{CLKDIV} + 2)$

where

selected_clock is equal to system_clock when CLKSEL field is set to 0 and system_clock2x when CLKSEL is set to 1.

SAMA5D3 SERIES

32.7.2 LCD Controller Configuration Register 1

Name: LCDC_LCDCFG1

Address: 0xF0030004

Access: Read/Write

31	30	29	28	27	26	25	24
–	–	–	–	–	–	–	–
23	22	21	20	19	18	17	16
–	–	VSPW					
15	14	13	12	11	10	9	8
–	–	–	–	–	–	–	–
7	6	5	4	3	2	1	0
–	–	HSPW					

HSPW: Horizontal Synchronization Pulse Width

Width of the LCD_HSYNC pulse, given in pixel clock cycles. Width is (HSPW+1) LCD_PCLK cycles.

VSPW: Vertical Synchronization Pulse Width

Width of the LCD_VSYNC pulse, given in number of lines. Width is (VSPW+1) lines.

32.7.3 LCD Controller Configuration Register 2

Name: LCDC_LCDCFG2

Address: 0xF0030008

Access: Read/Write

31	30	29	28	27	26	25	24
–	–	–	–	–	–	–	–
23	22	21	20	19	18	17	16
–	–	VBPW					
15	14	13	12	11	10	9	8
–	–	–	–	–	–	–	–
7	6	5	4	3	2	1	0
–	–	VFPW					

VFPW: Vertical Front Porch Width

This field indicates the number of lines at the end of the Frame. The blanking interval is equal to (VFPW+1) lines.

VBPW: Vertical Back Porch Width

This field indicates the number of lines at the beginning of the Frame. The blanking interval is equal to VBPW lines.

SAMA5D3 SERIES

32.7.4 LCD Controller Configuration Register 3

Name: LCDC_LCDCFG3

Address: 0xF003000C

Access: Read/Write

31	30	29	28	27	26	25	24
–	–	–	–	–	–	–	HBPW
23	22	21	20	19	18	17	16
HBPW							
15	14	13	12	11	10	9	8
–	–	–	–	–	–	–	HFPW
7	6	5	4	3	2	1	0
HFPW							

HFPW: Horizontal Front Porch Width

Number of pixel clock cycles inserted at the end of the active line. The interval is equal to (HFPW+1) LCD_PCLK cycles.

HBPW: Horizontal Back Porch Width

Number of pixel clock cycles inserted at the beginning of the line. The interval is equal to (HBPW+1) LCD_PCLK cycles.

32.7.5 LCD Controller Configuration Register 4

Name: LCDC_LCDCFG4

Address: 0xF0030010

Access: Read/Write

31	30	29	28	27	26	25	24
-	-	-	-	-	RPF		
23	22	21	20	19	18	17	16
RPF							
15	14	13	12	11	10	9	8
-	-	-	-	-	PPL		
7	6	5	4	3	2	1	0
PPL							

RPF: Number of Active Row Per Frame

Number of active lines in the frame. The frame height is equal to (RPF+1) lines.

PPL: Number of Pixels Per Line

Number of pixel in the frame. The number of active pixels in the frame is equal to (PPL+1) pixels.

SAMA5D3 SERIES

32.7.6 LCD Controller Configuration Register 5

Name: LCDDC_LCDCFG5

Address: 0xF0030014

Access: Read/Write

31	30	29	28	27	26	25	24	
–	–	–	–	–	–	–	–	
23	22	21	20	19	18	17	16	
–	–	–	GUARDTIME					–
15	14	13	12	11	10	9	8	
–	–	VSPHO	VSPSU	–	PP	MODE		
7	6	5	4	3	2	1	0	
DISPDLY	DITHER	–	DISPPOL	VSPDLYE	VSPDLYS	VSPOL	HSPOL	

HSPOL: Horizontal Synchronization Pulse Polarity

0: Active High

1: Active Low

VSPOL: Vertical Synchronization Pulse Polarity

0: Active High

1: Active Low

VSPDLYS: Vertical Synchronization Pulse Start

0: The first active edge of the Vertical synchronization pulse is synchronous with the second edge of the horizontal pulse.

1: The first active edge of the Vertical synchronization pulse is synchronous with the first edge of the horizontal pulse.

VSPDLYE: Vertical Synchronization Pulse End

0: The second active edge of the Vertical synchronization pulse is synchronous with the second edge of the horizontal pulse.

1: The second active edge of the Vertical synchronization pulse is synchronous with the first edge of the horizontal pulse.

DISPPOL: Display Signal Polarity

0: Active High

1: Active Low

DITHER: LCD Controller Dithering

0: Dithering logical unit is disabled

1: Dithering logical unit is activated

DISPDLY: LCD Controller Display Power Signal Synchronization

0: The LCD_DISP signal is asserted synchronously with the second active edge of the horizontal pulse.

1: The LCD_DISP signal is asserted asynchronously with both edges of the horizontal pulse.

MODE: LCD Controller Output Mode

Value	Name	Description
0	OUTPUT_12BPP	LCD Output mode is set to 12 bits per pixel
1	OUTPUT_16BPP	LCD Output mode is set to 16 bits per pixel
2	OUTPUT_18BPP	LCD Output mode is set to 18 bits per pixel
3	OUTPUT_24BPP	LCD Output mode is set to 24 bits per pixel

PP: Post Processing Enable

0: The blended pixel is pushed into the output FIFO.

1: The blended pixel is written back to memory, the post-processing stage is enabled.

VSPSU: LCD Controller Vertical synchronization Pulse Setup Configuration

0: The vertical synchronization pulse is asserted synchronously with horizontal pulse edge.

1: The vertical synchronization pulse is asserted one pixel clock cycle before the horizontal pulse.

VSPHO: LCD Controller Vertical synchronization Pulse Hold Configuration

0: The vertical synchronization pulse is asserted synchronously with horizontal pulse edge.

1: The vertical synchronization pulse is held active one pixel clock cycle after the horizontal pulse.

GUARDTIME: LCD DISPLAY Guard Time

Number of frames inserted during start up before LCD_DISP assertion.

Number of frames inserted after LCD_DISP reset.

SAMA5D3 SERIES

32.7.7 LCD Controller Configuration Register 6

Name: LCDC_LCDCFG6

Address: 0xF0030018

Access: Read/Write

31	30	29	28	27	26	25	24
–	–	–	–	–	–	–	–
23	22	21	20	19	18	17	16
–	–	–	–	–	–	–	–
15	14	13	12	11	10	9	8
PWMCVAL							
7	6	5	4	3	2	1	0
–	–	–	PWMPOL	–	PWMP5		

PWMP5: PWM Clock Prescaler

Selects the configuration of the counter prescaler module.

Value	Name	Description
000	DIV_1	The counter advances at a rate of $f_{\text{COUNTER}} = f_{\text{PWM_SELECTED_CLOCK}}$
001	DIV_2	The counter advances at a rate of $f_{\text{COUNTER}} = f_{\text{PWM_SELECTED_CLOCK}}/2$
010	DIV_4	The counter advances at a rate of $f_{\text{COUNTER}} = f_{\text{PWM_SELECTED_CLOCK}}/4$
011	DIV_8	The counter advances at a rate of $f_{\text{COUNTER}} = f_{\text{PWM_SELECTED_CLOCK}}/8$
100	DIV_16	The counter advances at a rate of $f_{\text{COUNTER}} = f_{\text{PWM_SELECTED_CLOCK}}/16$
101	DIV_32	The counter advances at a rate of $f_{\text{COUNTER}} = f_{\text{PWM_SELECTED_CLOCK}}/32$
110	DIV_64	The counter advances at a rate of $f_{\text{COUNTER}} = f_{\text{PWM_SELECTED_CLOCK}}/64$

PWMPOL: LCD Controller PWM Signal Polarity

This bit defines the polarity of the PWM output signal.

0: The output pulses are low level.

1: The output pulses are high level (the output will be high whenever the value in the counter is less than the value CVAL).

PWMCVAL: LCD Controller PWM Compare Value

PWM compare value. Used to adjust the analog value obtained after an external filter to control the contrast of the display.

32.7.8 LCD Controller Enable Register

Name: LCDC_LCDEN

Address: 0xF0030020

Access: Write-only

31	30	29	28	27	26	25	24
–	–	–	–	–	–	–	–
23	22	21	20	19	18	17	16
–	–	–	–	–	–	–	–
15	14	13	12	11	10	9	8
–	–	–	–	–	–	–	–
7	6	5	4	3	2	1	0
–	–	–	–	PWMEN	DISPEN	SYNCEN	CLKEN

CLKEN: LCD Controller Pixel Clock Enable

0: No effect

1: Pixel clock logical unit is activated.

SYNCEN: LCD Controller Horizontal and Vertical Synchronization Enable

0: No effect

1: Both horizontal and vertical synchronization (LCD_VSYNC and LCD_HSYNC) signals are generated.

DISPEN: LCD Controller DISP Signal Enable

0: No effect

1: LCD_DISP signal is generated.

PWMEN: LCD Controller Pulse Width Modulation Enable

0: No effect

1: PWM is enabled.

SAMA5D3 SERIES

32.7.9 LCD Controller Disable Register

Name: LCDC_LCDDIS

Address: 0xF0030024

Access: Write-only

31	30	29	28	27	26	25	24
–	–	–	–	–	–	–	–
23	22	21	20	19	18	17	16
–	–	–	–	–	–	–	–
15	14	13	12	11	10	9	8
–	–	–	–	PWMRST	DISPRST	SYNCRST	CLKRST
7	6	5	4	3	2	1	0
–	–	–	–	PWMDIS	DISPDIS	SYNCDIS	CLKDIS

CLKDIS: LCD Controller Pixel Clock Disable

0: No effect

1: Disables the pixel clock

SYNCDIS: LCD Controller Horizontal and Vertical Synchronization Disable

0: No effect

1: Disables the synchronization signals after the end of the frame

DISPDIS: LCD Controller DISP Signal Disable

0: No effect

1: Disables the DISP signal

PWMDIS: LCD Controller Pulse Width Modulation Disable

0: No effect

1: Disables the pulse width modulation signal

CLKRST: LCD Controller Clock Reset

0: No effect

1: Resets the pixel clock generator module. The pixel clock duty cycle may be violated.

SYNCRST: LCD Controller Horizontal and Vertical Synchronization Reset

0: No effect

1: Resets the timing engine. Both Horizontal and vertical pulse width are violated.

DISPRST: LCD Controller DISP Signal Reset

0: No effect

1: Resets the DISP signal

PWMRST: LCD Controller PWM Reset

0: No effect

1: Resets the PWM module. The duty cycle may be violated.

32.7.10 LCD Controller Status Register

Name: LCDC_LCDSR

Address: 0xF0030028

Access: Read-only

31	30	29	28	27	26	25	24
–	–	–	–	–	–	–	–
23	22	21	20	19	18	17	16
–	–	–	–	–	–	–	–
15	14	13	12	11	10	9	8
–	–	–	–	–	–	–	–
7	6	5	4	3	2	1	0
–	–	–	SIPSTS	PWMSTS	DISPSTS	LCDSTS	CLKSTS

CLKSTS: Clock Status

0: Pixel Clock is disabled

1: Pixel Clock is running

LCDSTS: LCD Controller Synchronization status

0: Timing Engine is disabled

1: Timing Engine is running

DISPSTS: LCD Controller DISP Signal Status

0: DISP is disabled

1: DISP signal is activated

PWMSTS: LCD Controller PWM Signal Status

0: PWM is disabled

1: PWM signal is activated

SIPSTS: Synchronization In Progress

0: Clock domain synchronization is terminated

1: Synchronization is in progress. Access to the registers LCDC_LCDCCFG[0..6], LCDC_LCDEN and LCDC_LCDDIS has no effect.

SAMA5D3 SERIES

32.7.11 LCD Controller Interrupt Enable Register

Name: LCDDC_LCDIER

Address: 0xF003002C

Access: Write-only

31	30	29	28	27	26	25	24
–	–	–	–	–	–	–	–
23	22	21	20	19	18	17	16
–	–	–	–	–	–	–	–
15	14	13	12	11	10	9	8
–	–	PPIE	HCRIE	HEOIE	OVR2IE	OVR1IE	BASEIE
7	6	5	4	3	2	1	0
–	–	–	FIFOERRIE	–	DISPIE	DISIE	SOFIE

SOFIE: Start of Frame Interrupt Enable

0: No effect

1: Enables the interrupt

DISIE: LCD Disable Interrupt Enable

0: No effect

1: Enables the interrupt

DISPIE: Power UP/Down Sequence Terminated Interrupt Enable

0: No effect

1: Enables the interrupt

FIFOERRIE: Output FIFO Error Interrupt Enable

0: No effect

1: Enables the interrupt

BASEIE: Base Layer Interrupt Enable

0: No effect

1: Enables the interrupt

OVR1IE: Overlay 1 Interrupt Enable

0: No effect

1: Enables the interrupt

OVR2IE: Overlay 2 Interrupt Enable

0: No effect

1: Enables the interrupt

HEOIE: High End Overlay Interrupt Enable

0: No effect

1: Enables the interrupt

HCRIE: Hardware Cursor Interrupt Enable

0: No effect

1: Enables the interrupt

PPIE: Post Processing Interrupt Enable

0: No effect

1: Enables the interrupt

SAMA5D3 SERIES

32.7.12 LCD Controller Interrupt Disable Register

Name: LCDC_LCDIDR

Address: 0xF0030030

Access: Write-only

31	30	29	28	27	26	25	24
–	–	–	–	–	–	–	–
23	22	21	20	19	18	17	16
–	–	–	–	–	–	–	–
15	14	13	12	11	10	9	8
–	–	PPID	HCRID	HEOID	OVR2ID	OVR1ID	BASEID
7	6	5	4	3	2	1	0
–	–	–	FIFOERRID	–	DISPID	DISID	SOFID

SOFID: Start of Frame Interrupt Disable

0: No effect

1: Disables the interrupt

DISID: LCD Disable Interrupt Disable

0: No effect

1: Disables the interrupt

DISPID: Power UP/Down Sequence Terminated Interrupt Disable

0: No effect

1: Disables the interrupt

FIFOERRID: Output FIFO Error Interrupt Disable

0: No effect

1: Disables the interrupt

BASEID: Base Layer Interrupt Disable

0: No effect

1: Disables the interrupt

OVR1ID: Overlay 1 Interrupt Disable

0: No effect

1: Disables the interrupt

OVR2ID: Overlay 2 Interrupt Disable

0: No effect

1: Disables the interrupt

HEOID: High End Overlay Interrupt Disable

0: No effect

1: Disables the interrupt

HCRID: Hardware Cursor Interrupt Disable

0: No effect

1: Disables the interrupt

PPID: Post Processing Interrupt Disable

0: No effect

1: Disables the interrupt

SAMA5D3 SERIES

32.7.13 LCD Controller Interrupt Mask Register

Name: LCDC_LCDIMR

Address: 0xF0030034

Access: Read-only

31	30	29	28	27	26	25	24
–	–	–	–	–	–	–	–
23	22	21	20	19	18	17	16
–	–	–	–	–	–	–	–
15	14	13	12	11	10	9	8
–	–	PPIM	HCRIM	HEOIM	OVR2IM	OVR1IM	BASEIM
7	6	5	4	3	2	1	0
–	–	–	FIFOERRIM	–	DISPIM	DISIM	SOFIM

SOFIM: Start of Frame Interrupt Mask

0: Interrupt source is disabled

1: Interrupt source is enabled

DISIM: LCD Disable Interrupt Mask

0: Interrupt source is disabled

1: Interrupt source is enabled

DISPIM: Power UP/Down Sequence Terminated Interrupt Mask

0: Interrupt source is disabled

1: Interrupt source is enabled

FIFOERRIM: Output FIFO Error Interrupt Mask

0: Interrupt source is disabled

1: Interrupt source is enabled

BASEIM: Base Layer Interrupt Mask

0: Interrupt source is disabled

1: Interrupt source is enabled

OVR1IM: Overlay 1 Interrupt Mask

0: Interrupt source is disabled

1: Interrupt source is enabled

OVR2IM: Overlay 2 Interrupt Mask

0: Interrupt source is disabled

1: Interrupt source is enabled

HEOIM: High End Overlay Interrupt Mask

0: Interrupt source is disabled

1: Interrupt source is enabled

HCRIM: Hardware Cursor Interrupt Mask

0: Interrupt source is disabled

1: Interrupt source is enabled

PPIM: Post Processing Interrupt Mask

0: Interrupt source is disabled

1: Interrupt source is enabled

SAMA5D3 SERIES

32.7.14 LCD Controller Interrupt Status Register

Name: LCDC_LCDISR

Address: 0xF0030038

Access: Read-only

31	30	29	28	27	26	25	24
–	–	–	–	–	–	–	–
23	22	21	20	19	18	17	16
–	–	–	–	–	–	–	–
15	14	13	12	11	10	9	8
–	–	PP	HCR	HEO	OVR2	OVR1	BASE
7	6	5	4	3	2	1	0
–	–	–	FIFOERR	–	DISP	DIS	SOF

SOF: Start of Frame Interrupt Status

0: No detection since last read of LCDC_LCDISR

1: Indicates that a start of frame event has been detected. This flag is reset after a read operation.

DIS: LCD Disable Interrupt Status

0: Horizontal and vertical timing generator has not yet been disabled

1: Indicates that the horizontal and vertical timing generator has been disabled. This flag is reset after a read operation.

DISP: Power-up/Power-down Sequence Terminated Interrupt Status

0: Power-up sequence or power-down sequence has not yet terminated

1: Indicates the power-up sequence or power-down sequence has terminated. This flag is reset after a read operation.

FIFOERR: Output FIFO Error

0: No underflow has occurred in the output FIFO since last read of LCDC_LCDISR

1: Indicates that an underflow has occurred in the output FIFO. This flag is reset after a read operation.

BASE: Base Layer Raw Interrupt Status

0: No base layer interrupt detected since last read of LCDC_BASEISR

1: Indicates that a base layer interrupt is pending. This flag is reset as soon as the LCDC_BASEISR is read.

OVR1: Overlay 1 Raw Interrupt Status

0: No Overlay 1 layer interrupt detected since last read of LCDC_OVR1ISR

1: Indicates that an Overlay 1 layer interrupt is pending. This flag is reset as soon as the LCDC_OVR1ISR is read.

OVR2: Overlay 2 Raw Interrupt Status

0: No Overlay 2 layer interrupt detected since last read of LCDC_OVR2ISR

1: Indicates that an Overlay 2 layer interrupt is pending. This flag is reset as soon as the LCDC_OVR2ISR is read.

HEO: High End Overlay Raw Interrupt Status

0: No High End layer interrupt detected since last read of LCDC_HEOISR

1: Indicates that a High End layer interrupt is pending. This flag is reset as soon as the LCDC_HEOISR is read.

HCR: Hardware Cursor Raw Interrupt Status

0: No Hardware Cursor layer interrupt detected since last read of LCDC_HCRISR

1: Indicates that a Hardware Cursor layer interrupt is pending. This flag is reset as soon as the LCDC_HCRISR is read.

PP: Post Processing Raw Interrupt Status

0: No Post Processing interrupt detected since last read of LCDC_PPISR

1: Indicates that Post Processing interrupt is pending. This flag is reset as soon as the LCDC_PPISR is read.

SAMA5D3 SERIES

32.7.15 LCD Controller Attribute Register

Name: LCDC_ATTR

Address: 0xF003003C

Access: Write-only

31	30	29	28	27	26	25	24
–	–	–	–	–	–	–	–
23	22	21	20	19	18	17	16
–	–	–	–	–	–	–	–
15	14	13	12	11	10	9	8
–	–	PPA2Q	HCRA2Q	HEOA2Q	OVR2A2Q	OVR1A2Q	BASEA2Q
7	6	5	4	3	2	1	0
–	–	PP	HCR	HEO	OVR2	OVR1	BASE

BASE: Base Layer Update Attribute

0: No effect

1: Update the BASE window attributes.

OVR1: Overlay 1 Update Attribute

0: No effect

1: Update the OVR1 window attribute

OVR2: Overlay 2 Update Attribute

0: No effect

1: Update the OVR2 window attribute

HEO: High End Overlay Update Attribute

0: No effect

1: Update the HEO window attribute

HCR: Hardware Cursor Update Attribute

0: No effect

1: Update the BCH window attribute

PP: Post-Processing Update Attribute

0: No effect

1: Update the PP window attribute

BASEA2Q: Base Layer Update Add To Queue

0: No effect

1: Add the descriptor pointed to by the LCDC_BASEHEAD register to the descriptor list.

OVR1A2Q: Overlay 1 Update Add To Queue

0: No effect

1: Add the descriptor pointed to by the LCDC_OVR1HEAD register to the descriptor list.

OVR2A2Q: Overlay 2 Update Add to Queue

0: No effect

1: Add the descriptor pointed to by the LCDC_OVR2HEAD register to the descriptor list.

HEOA2Q: High End Overlay Update Add To Queue

0: No effect

1: Add the descriptor pointed to by the LCDC_HEOHEAD register to the descriptor list.

HCRA2Q: Hardware Cursor Update Add To Queue

0: No effect

1: Add the descriptor pointed to by the LCDC_HCRHEAD register to the descriptor list.

PPA2Q: Post-Processing Update Add To Queue

0: No effect

1: Add the descriptor pointed to by the LCDC_PPHEAD register to the descriptor list.

SAMA5D3 SERIES

32.7.16 Base Layer Channel Enable Register

Name: LCDDC_BASECHER

Address: 0xF0030040

Access: Write-only

31	30	29	28	27	26	25	24
–	–	–	–	–	–	–	–
23	22	21	20	19	18	17	16
–	–	–	–	–	–	–	–
15	14	13	12	11	10	9	8
–	–	–	–	–	–	–	–
7	6	5	4	3	2	1	0
–	–	–	–	–	A2QEN	UPDATEEN	CHEN

CHEN: Channel Enable

0: No effect

1: Enables the DMA channel

UPDATEEN: Update Overlay Attributes Enable

0: No effect

1: Updates windows attributes on the next start of frame.

A2QEN: Add To Queue Enable

0: No effect

1: Indicates that a valid descriptor has been written to memory, its memory location should be written to the DMA head pointer. The A2QSR status bit is set to one, and it is reset by hardware as soon as the descriptor pointed to by the DMA head pointer is added to the list.

32.7.17 Base Layer Channel Disable Register

Name: LCDDC_BASECHDR

Address: 0xF0030044

Access: Write-only

31	30	29	28	27	26	25	24
–	–	–	–	–	–	–	–
23	22	21	20	19	18	17	16
–	–	–	–	–	–	–	–
15	14	13	12	11	10	9	8
–	–	–	–	–	–	–	CHRST
7	6	5	4	3	2	1	0
–	–	–	–	–	–	–	CHDIS

CHDIS: Channel Disable

0: No effect

1: Disables the layer at the end of the current frame. The frame is completed.

CHRST: Channel Reset

0: No effect

1: Resets the layer immediately. The frame is aborted.

SAMA5D3 SERIES

32.7.18 Base Layer Channel Status Register

Name: LCDDC_BASECHSR

Address: 0xF0030048

Access: Read-only

31	30	29	28	27	26	25	24
–	–	–	–	–	–	–	–
23	22	21	20	19	18	17	16
–	–	–	–	–	–	–	–
15	14	13	12	11	10	9	8
–	–	–	–	–	–	–	–
7	6	5	4	3	2	1	0
–	–	–	–	–	A2QSR	UPDATESR	CHSR

CHSR: Channel Status

0: Layer disabled

1: Layer enabled

UPDATESR: Update Overlay Attributes In Progress Status

0: No update pending

1: Overlay attributes will be updated on the next frame

A2QSR: Add To Queue Status

0: Add to queue not pending

1: Add to queue pending

32.7.19 Base Layer Interrupt Enable Register

Name: LCDC_BASEIER

Address: 0xF003004C

Access: Write-only

31	30	29	28	27	26	25	24
–	–	–	–	–	–	–	–
23	22	21	20	19	18	17	16
–	–	–	–	–	–	–	–
15	14	13	12	11	10	9	8
–	–	–	–	–	–	–	–
7	6	5	4	3	2	1	0
–	OVR	DONE	ADD	DSCR	DMA	–	–

DMA: End of DMA Transfer Interrupt Enable

0: No effect

1: Interrupt source is enabled

DSCR: Descriptor Loaded Interrupt Enable

0: No effect

1: Interrupt source is enabled

ADD: Head Descriptor Loaded Interrupt Enable

0: No effect

1: Interrupt source is enabled

DONE: End of List Interrupt Enable

0: No effect

1: Interrupt source is enabled

OVR: Overflow Interrupt Enable

0: No effect

1: Interrupt source is enabled

SAMA5D3 SERIES

32.7.20 Base Layer Interrupt Disable Register

Name: LCDC_BASEIDR

Address: 0xF0030050

Access: Write-only

31	30	29	28	27	26	25	24
–	–	–	–	–	–	–	–
23	22	21	20	19	18	17	16
–	–	–	–	–	–	–	–
15	14	13	12	11	10	9	8
–	–	–	–	–	–	–	–
7	6	5	4	3	2	1	0
–	OVR	DONE	ADD	DSCR	DMA	–	–

DMA: End of DMA Transfer Interrupt Disable

0: No effect

1: Interrupt source is disabled

DSCR: Descriptor Loaded Interrupt Disable

0: No effect

1: Interrupt source is disabled

ADD: Head Descriptor Loaded Interrupt Disable

0: No effect

1: Interrupt source is disabled

DONE: End of List Interrupt Disable

0: No effect

1: Interrupt source is disabled

OVR: Overflow Interrupt Disable

0: No effect

1: Interrupt source is disabled

32.7.21 Base Layer Interrupt Mask Register

Name: LCDC_BASEIMR

Address: 0xF0030054

Access: Read-only

31	30	29	28	27	26	25	24
–	–	–	–	–	–	–	–
23	22	21	20	19	18	17	16
–	–	–	–	–	–	–	–
15	14	13	12	11	10	9	8
–	–	–	–	–	–	–	–
7	6	5	4	3	2	1	0
–	OVR	DONE	ADD	DSCR	DMA	–	–

DMA: End of DMA Transfer Interrupt Mask

0: Interrupt source is disabled

1: Interrupt source is enabled

DSCR: Descriptor Loaded Interrupt Mask

0: Interrupt source is disabled

1: Interrupt source is enabled

ADD: Head Descriptor Loaded Interrupt Mask

0: Interrupt source is disabled

1: Interrupt source is enabled

DONE: End of List Interrupt Mask

0: Interrupt source is disabled

1: Interrupt source is enabled

OVR: Overflow Interrupt Mask

0: Interrupt source is disabled

1: Interrupt source is enabled

SAMA5D3 SERIES

32.7.22 Base Layer Interrupt Status Register

Name: LCDC_BASEISR

Address: 0xF0030058

Access: Read-only

31	30	29	28	27	26	25	24
–	–	–	–	–	–	–	–
23	22	21	20	19	18	17	16
–	–	–	–	–	–	–	–
15	14	13	12	11	10	9	8
–	–	–	–	–	–	–	–
7	6	5	4	3	2	1	0
–	OVR	DONE	ADD	DSCR	DMA	–	–

DMA: End of DMA Transfer

0: No end of DMA transfer has been detected since last read of LCDC_BASEISR

1: End of Transfer has been detected. This flag is reset after a read operation.

DSCR: DMA Descriptor Loaded

0: No descriptor has been loaded since last read of LCDC_BASEISR

1: A descriptor has been loaded successfully. This flag is reset after a read operation.

ADD: Head Descriptor Loaded

0: No descriptor has been loaded since last read of LCDC_BASEISR

1: The descriptor pointed to by the LCDC_BASEHEAD register has been loaded successfully. This flag is reset after a read operation.

DONE: End of List Detected

0: No End of List condition occurred since last read of LCDC_BASEISR

1: End of List condition has occurred. This flag is reset after a read operation.

OVR: Overflow Detected

0: No overflow occurred since last read of LCDC_BASEISR

1: An overflow occurred. This flag is reset after a read operation.

32.7.23 Base DMA Head Register

Name: LCDDC_BASEHEAD

Address: 0xF003005C

Access: Read/Write

31	30	29	28	27	26	25	24
HEAD							
23	22	21	20	19	18	17	16
HEAD							
15	14	13	12	11	10	9	8
HEAD							
7	6	5	4	3	2	1	0
HEAD						-	-

HEAD: DMA Head Pointer

The Head Pointer points to a new descriptor.

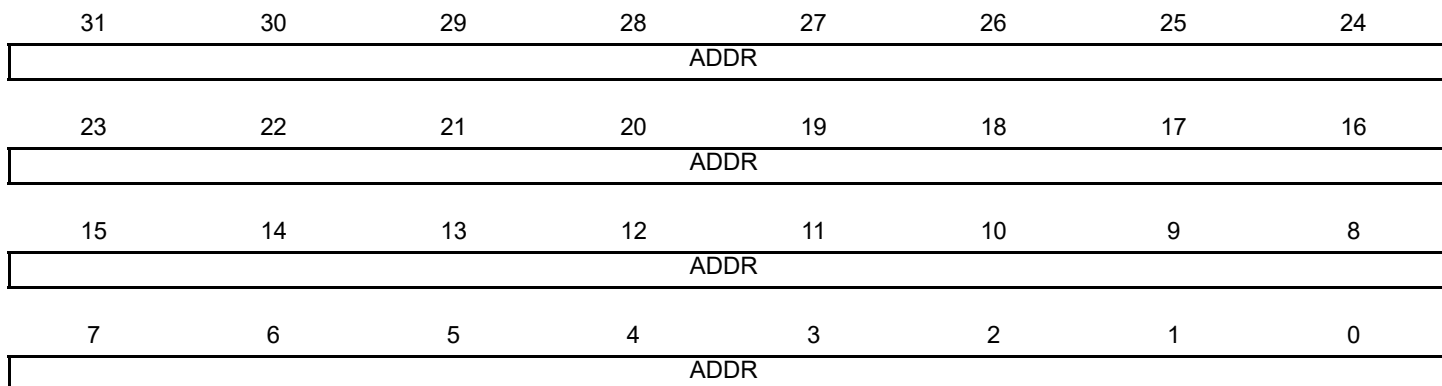
SAMA5D3 SERIES

32.7.24 Base DMA Address Register

Name: LCDC_BASEADDR

Address: 0xF0030060

Access: Read/Write



ADDR: DMA Transfer Start Address

Frame buffer base address

32.7.25 Base DMA Control Register

Name: LCDC_BASECTRL

Address: 0xF0030064

Access: Read/Write

31	30	29	28	27	26	25	24
–	–	–	–	–	–	–	–
23	22	21	20	19	18	17	16
–	–	–	–	–	–	–	–
15	14	13	12	11	10	9	8
–	–	–	–	–	–	–	–
7	6	5	4	3	2	1	0
–	–	DONEIEN	ADDIEN	DSCRIEN	DMAIEN	LFETCH	DFETCH

DFETCH: Transfer Descriptor Fetch Enable

0: Transfer Descriptor fetch is disabled

1: Transfer Descriptor fetch is enabled

LFETCH: Lookup Table Fetch Enable

0: Lookup Table DMA fetch is disabled

1: Lookup Table DMA fetch is enabled

DMAIEN: End of DMA Transfer Interrupt Enable

0: DMA transfer completed interrupt is enabled

1: DMA transfer completed interrupt is disabled

DSCRIEN: Descriptor Loaded Interrupt Enable

0: Transfer descriptor loaded interrupt is enabled

1: Transfer descriptor loaded interrupt is disabled

ADDIEN: Add Head Descriptor to Queue Interrupt Enable

0: Transfer descriptor added to queue interrupt is enabled

1: Transfer descriptor added to queue interrupt is disabled

DONEIEN: End of List Interrupt Enable

0: End of list interrupt is disabled

1: End of list interrupt is enabled

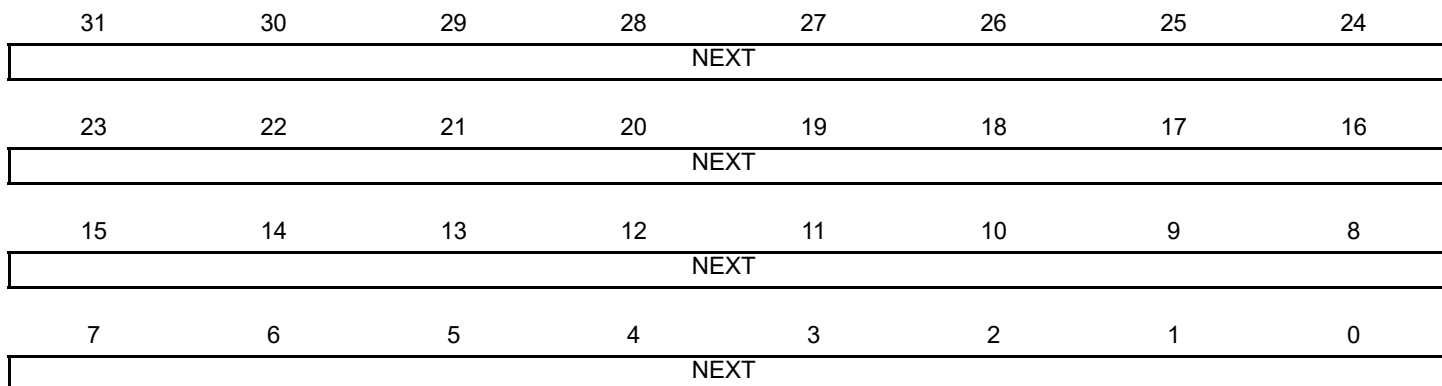
SAMA5D3 SERIES

32.7.26 Base DMA Next Register

Name: LCDC_BASENEXT

Address: 0xF0030068

Access: Read/Write



NEXT: DMA Descriptor Next Address

The transfer descriptor address must be aligned on a 64-bit boundary.

32.7.27 Base Layer Configuration Register 0

Name: LCDC_BASECFG0

Address: 0xF003006C

Access: Read/Write

31	30	29	28	27	26	25	24
–	–	–	–	–	–	–	–
23	22	21	20	19	18	17	16
–	–	–	–	–	–	–	–
15	14	13	12	11	10	9	8
–	–	–	–	–	–	–	DLBO
7	6	5	4	3	2	1	0
–	–	BLEN		–	–	–	SIF

SIF: Source Interface

0: Base Layer data is retrieved through AHB interface 0.

1: Base Layer data is retrieved through AHB interface 1.

BLEN: AHB Burst Length

Value	Name	Description
0	AHB_SINGLE	AHB Access is started as soon as there is enough space in the FIFO to store one data. SINGLE, INCR, INCR4, INCR8 and INCR16 bursts are used. INCR is used for a burst of 2 and 3 beats.
1	AHB_INCR4	AHB Access is started as soon as there is enough space in the FIFO to store a total amount of 4 data. An AHB INCR4 Burst is used. SINGLE, INCR and INCR4 bursts are used. INCR is used for a burst of 2 and 3 beats.
2	AHB_INCR8	AHB Access is started as soon as there is enough space in the FIFO to store a total amount of 8 data. An AHB INCR8 Burst is used. SINGLE, INCR, INCR4 and INCR8 bursts are used. INCR is used for a burst of 2 and 3 beats.
3	AHB_INCR16	AHB Access is started as soon as there is enough space in the FIFO to store a total amount of 16 data. An AHB INCR16 Burst is used. SINGLE, INCR, INCR4, INCR8 and INCR16 bursts are used. INCR is used for a burst of 2 and 3 beats.

DLBO: Defined Length Burst Only For Channel Bus Transaction

0: Undefined length INCR burst is used for a burst of 2 and 3 beats.

1: Only Defined Length burst is used (SINGLE, INCR4, INCR8 and INCR16).

SAMA5D3 SERIES

32.7.28 Base Layer Configuration Register 1

Name: LCDDC_BASECFG1

Address: 0xF0030070

Access: Read/Write

31	30	29	28	27	26	25	24
–	–	–	–	–	–	–	–
23	22	21	20	19	18	17	16
–	–	–	–	–	–	–	–
15	14	13	12	11	10	9	8
–						CLUTMODE	
7	6	5	4	3	2	1	0
RGBMODE				–	–	–	CLUTEN

CLUTEN: Color Lookup Table Mode Enable

0: RGB mode is selected.

1: Color Lookup Table mode is selected.

RGBMODE: RGB Mode Input Selection

Value	Name	Description
0	12BPP_RGB_444	12 bpp RGB 444
1	16BPP_ARGB_4444	16 bpp ARGB 4444
2	16BPP_RGBA_4444	16 bpp RGBA 4444
3	16BPP_RGB_565	16 bpp RGB 565
4	16BPP_TRGB_1555	16 bpp TRGB 1555
5	18BPP_RGB_666	18 bpp RGB 666
6	18BPP_RGB_666PACKED	18 bpp RGB 666 PACKED
7	19BPP_TRGB_1666	19 bpp TRGB 1666
8	19BPP_TRGB_PACKED	19 bpp TRGB 1666 PACKED
9	24BPP_RGB_888	24 bpp RGB 888
10	24BPP_RGB_888_PACKED	24 bpp RGB 888 PACKED
11	25BPP_TRGB_1888	25 bpp TRGB 1888
12	32BPP_ARGB_8888	32 bpp ARGB 8888
13	32BPP_RGBA_8888	32 bpp RGBA 8888

CLUTMODE: Color Lookup Table Mode Input Selection

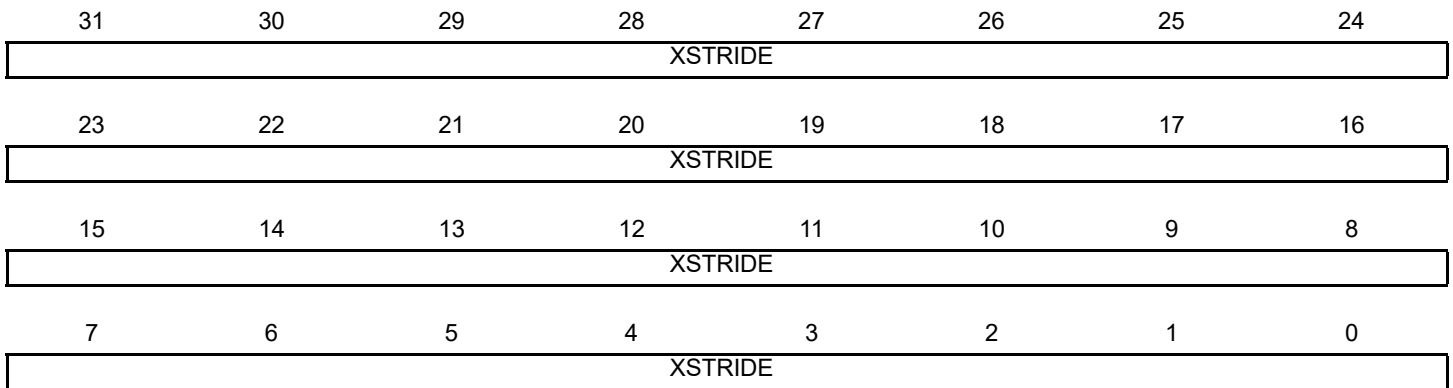
Value	Name	Description
0	CLUT_1BPP	Color Lookup Table mode set to 1 bit per pixel
1	CLUT_2BPP	Color Lookup Table mode set to 2 bits per pixel
2	CLUT_4BPP	Color Lookup Table mode set to 4 bits per pixel
3	CLUT_8BPP	Color Lookup Table mode set to 8 bits per pixel

32.7.29 Base Layer Configuration Register 2

Name: LCDC_BASECFG2

Address: 0xF0030074

Access: Read/Write



XSTRIDE: Horizontal Stride

XSTRIDE represents the memory offset, in bytes, between two rows of the image memory.

SAMA5D3 SERIES

32.7.30 Base Layer Configuration Register 3

Name: LCDC_BASECFG3

Address: 0xF0030078

Access: Read/Write

31	30	29	28	27	26	25	24
–	–	–	–	–	–	–	–
23	22	21	20	19	18	17	16
RDEF							
15	14	13	12	11	10	9	8
GDEF							
7	6	5	4	3	2	1	0
BDEF							

RDEF: Red Default

Default Red color when the Base DMA channel is disabled

GDEF: Green Default

Default Green color when the Base DMA channel is disabled

BDEF: Blue Default

Default Blue color when the Base DMA channel is disabled

32.7.31 Base Layer Configuration Register 4

Name: LCDDC_BASECFG4

Address: 0xF003007C

Access: Read/Write

31	30	29	28	27	26	25	24
–	–	–	–	–	–	–	–
23	22	21	20	19	18	17	16
–	–	–	–	–	–	–	–
15	14	13	12	11	10	9	8
–	–	–	–	DISCEN	–	REP	DMA
7	6	5	4	3	2	1	0
–	–	–	–	–	–	–	–

DMA: Use DMA Data Path

0: The default color is used on the Base Layer.

1: The DMA channel retrieves the pixels stream from the memory.

REP: Use Replication logic to expand RGB color to 24 bits

0: When the selected pixel depth is less than 24 bpp the pixel is shifted and least significant bits are set to 0.

1: When the selected pixel depth is less than 24 bpp the pixel is shifted and the least significant bit replicates the msb.

DISCEN: Discard Area Enable

0: The whole frame is retrieved from memory.

1: The DMA channel discards the area located at screen coordinate {DISCXPOS, DISCYPOS}.

SAMA5D3 SERIES

32.7.32 Base Layer Configuration Register 5

Name: LCDC_BASECFG5

Address: 0xF0030080

Access: Read/Write

31	30	29	28	27	26	25	24
–	–	–	–	–	DISCYPOS		
23	22	21	20	19	18	17	16
DISCYPOS							
15	14	13	12	11	10	9	8
–	–	–	–		DISCXPOS		
7	6	5	4	3	2	1	0
DISCXPOS							

DISCXPOS: Discard Area Horizontal Coordinate

Horizontal Position of the Discard Area

DISCYPOS: Discard Area Vertical Coordinate

Vertical Position of the Discard Area

32.7.33 Base Layer Configuration Register 6

Name: LCDDC_BASECFG6

Address: 0xF0030084

Access: Read/Write

31	30	29	28	27	26	25	24
-	-	-	-	-	DISCYSIZE		
23	22	21	20	19	18	17	16
DISCYSIZE							
15	14	13	12	11	10	9	8
-	-	-	-	DISCXSIZ			8
7	6	5	4	3	2	1	0
DISCXSIZ							

DISCXSIZ: Discard Area Horizontal Size

Discard Horizontal size in pixels. The Discard size is set to (DISCXSIZ + 1) pixels horizontally.

DISCYSIZ: Discard Area Vertical Size

Discard Vertical size in pixels. The Discard size is set to (DISCYSIZ + 1) pixels vertically.

SAMA5D3 SERIES

32.7.34 Overlay 1 Channel Enable Register

Name: LCDC_OVR1CHER

Address: 0xF0030140

Access: Write-only

31	30	29	28	27	26	25	24
–	–	–	–	–	–	–	–
23	22	21	20	19	18	17	16
–	–	–	–	–	–	–	–
15	14	13	12	11	10	9	8
–	–	–	–	–	–	–	–
7	6	5	4	3	2	1	0
–	–	–	–	–	A2QEN	UPDATEEN	CHEN

CHEN: Channel Enable

0: No effect

1: Enables the DMA channel

UPDATEEN: Update Overlay Attributes Enable

0: No effect

1: Updates window attributes (size, alpha-blending, etc.) on the next start of frame.

A2QEN: Add To Queue Enable

0: No effect

1: Indicates that a valid descriptor has been written to memory, its memory location should be written to the DMA head pointer. The A2QSR status bit is set to one, and it is reset by hardware as soon as the descriptor pointed to by the DMA head pointer is added to the list.

32.7.35 Overlay 1 Channel Disable Register

Name: LCDDC_OVR1CHDR

Address: 0xF0030144

Access: Write-only

31	30	29	28	27	26	25	24
–	–	–	–	–	–	–	–
23	22	21	20	19	18	17	16
–	–	–	–	–	–	–	–
15	14	13	12	11	10	9	8
–	–	–	–	–	–	–	CHRST
7	6	5	4	3	2	1	0
–	–	–	–	–	–	–	CHDIS

CHDIS: Channel Disable

0: No effect

1: Disables the layer at the end of the current frame. The frame is completed.

CHRST: Channel Reset

0: No effect

1: Resets the layer immediately. The frame is aborted.

SAMA5D3 SERIES

32.7.36 Overlay 1 Channel Status Register

Name: LCDDC_OVR1CHSR

Address: 0xF0030148

Access: Read-only

31	30	29	28	27	26	25	24
–	–	–	–	–	–	–	–
23	22	21	20	19	18	17	16
–	–	–	–	–	–	–	–
15	14	13	12	11	10	9	8
–	–	–	–	–	–	–	–
7	6	5	4	3	2	1	0
–	–	–	–	–	A2QSR	UPDATESR	CHSR

CHSR: Channel Status

0: Layer disabled

1: Layer enabled

UPDATESR: Update Overlay Attributes In Progress Status

0: No update pending

1: Overlay attributes will be updated on the next frame

A2QSR: Add To Queue Status

0: Add to queue not pending

1: Add to queue pending

32.7.37 Overlay 1 Interrupt Enable Register

Name: LCDC_OVR1IER

Address: 0xF003014C

Access: Write-only

31	30	29	28	27	26	25	24
–	–	–	–	–	–	–	–
23	22	21	20	19	18	17	16
–	–	–	–	–	–	–	–
15	14	13	12	11	10	9	8
–	–	–	–	–	–	–	–
7	6	5	4	3	2	1	0
–	OVR	DONE	ADD	DSCR	DMA	–	–

DMA: End of DMA Transfer Interrupt Enable

0: No effect

1: Interrupt source is enabled

DSCR: Descriptor Loaded Interrupt Enable

0: No effect

1: Interrupt source is enabled

ADD: Head Descriptor Loaded Interrupt Enable

0: No effect

1: Interrupt source is enabled

DONE: End of List Interrupt Enable

0: No effect

1: Interrupt source is enabled

OVR: Overflow Interrupt Enable

0: No effect

1: Interrupt source is enabled

SAMA5D3 SERIES

32.7.38 Overlay 1 Interrupt Disable Register

Name: LCDC_OVR1IDR

Address: 0xF0030150

Access: Write-only

31	30	29	28	27	26	25	24
–	–	–	–	–	–	–	–
23	22	21	20	19	18	17	16
–	–	–	–	–	–	–	–
15	14	13	12	11	10	9	8
–	–	–	–	–	–	–	–
7	6	5	4	3	2	1	0
–	OVR	DONE	ADD	DSCR	DMA	–	–

DMA: End of DMA Transfer Interrupt Disable

0: No effect

1: Interrupt source is disabled

DSCR: Descriptor Loaded Interrupt Disable

0: No effect

1: Interrupt source is disabled

ADD: Head Descriptor Loaded Interrupt Disable

0: No effect

1: Interrupt source is disabled

DONE: End of List Interrupt Disable

0: No effect

1: Interrupt source is disabled

OVR: Overflow Interrupt Disable

0: No effect

1: Interrupt source is disabled

32.7.39 Overlay 1 Interrupt Mask Register

Name: LCDC_OVR1IMR

Address: 0xF0030154

Access: Read-only

31	30	29	28	27	26	25	24
–	–	–	–	–	–	–	–
23	22	21	20	19	18	17	16
–	–	–	–	–	–	–	–
15	14	13	12	11	10	9	8
–	–	–	–	–	–	–	–
7	6	5	4	3	2	1	0
–	OVR	DONE	ADD	DSCR	DMA	–	–

DMA: End of DMA Transfer Interrupt Mask

0: Interrupt source is disabled

1: Interrupt source is enabled

DSCR: Descriptor Loaded Interrupt Mask

0: Interrupt source is disabled

1: Interrupt source is enabled

ADD: Head Descriptor Loaded Interrupt Mask

0: Interrupt source is disabled

1: Interrupt source is enabled

DONE: End of List Interrupt Mask

0: Interrupt source is disabled

1: Interrupt source is enabled

OVR: Overflow Interrupt Mask

0: Interrupt source is disabled

1: Interrupt source is enabled

SAMA5D3 SERIES

32.7.40 Overlay 1 Interrupt Status Register

Name: LCDC_OVR1ISR

Address: 0xF0030158

Access: Read-only

31	30	29	28	27	26	25	24
–	–	–	–	–	–	–	–
23	22	21	20	19	18	17	16
–	–	–	–	–	–	–	–
15	14	13	12	11	10	9	8
–	–	–	–	–	–	–	–
7	6	5	4	3	2	1	0
–	OVR	DONE	ADD	DSCR	DMA	–	–

DMA: End of DMA Transfer

0: No End of Transfer has been detected since last read of LCDC_OVR1ISR

1: End of Transfer has been detected. This flag is reset after a read operation.

DSCR: DMA Descriptor Loaded

0: No descriptor has been loaded since last read of LCDC_OVR1ISR

1: A descriptor has been loaded successfully. This flag is reset after a read operation.

ADD: Head Descriptor Loaded

0: No descriptor has been loaded since last read of LCDC_OVR1ISR

1: The descriptor pointed to by the LCDC_OVR1HEAD register has been loaded successfully. This flag is reset after a read operation.

DONE: End of List Detected

0: No End of List condition has occurred since last read of LCDC_OVR1ISR

1: End of List condition has occurred. This flag is reset after a read operation.

OVR: Overflow Detected

0: No overflow occurred since last read of LCDC_OVR1ISR

1: An overflow occurred. This flag is reset after a read operation.

32.7.41 Overlay 1 Head Register

Name: LCDC_OVR1HEAD

Address: 0xF003015C

Access: Read/Write

31	30	29	28	27	26	25	24
HEAD							
23	22	21	20	19	18	17	16
HEAD							
15	14	13	12	11	10	9	8
HEAD							
7	6	5	4	3	2	1	0
HEAD						-	-

HEAD: DMA Head Pointer

The Head Pointer points to a new descriptor.

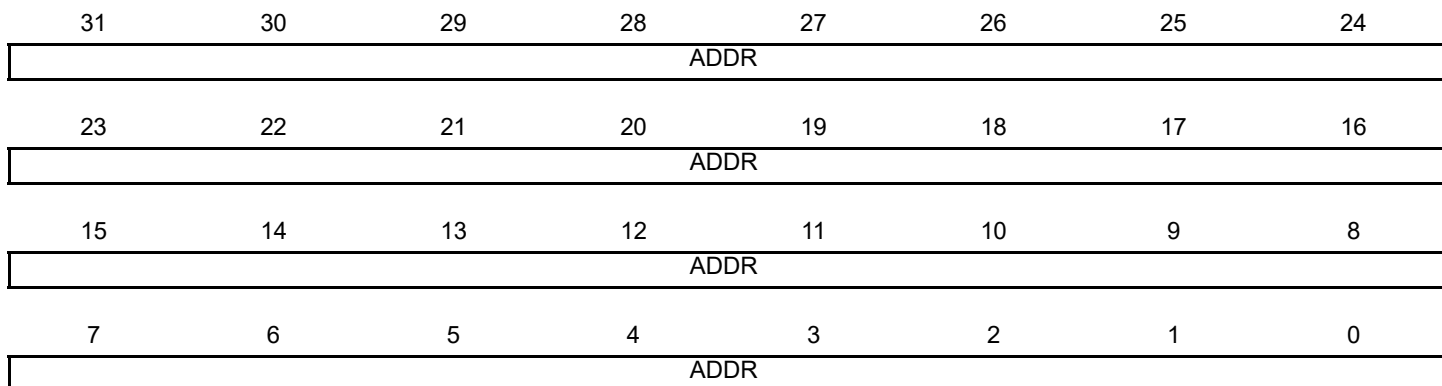
SAMA5D3 SERIES

32.7.42 Overlay 1 Address Register

Name: LCDC_OVR1ADDR

Address: 0xF0030160

Access: Read/Write



ADDR: DMA Transfer Overlay 1 Address

Overlay 1 frame buffer base address

32.7.43 Overlay 1 Control Register

Name: LCDC_OVR1CTRL

Address: 0xF0030164

Access: Read/Write

31	30	29	28	27	26	25	24
–	–	–	–	–	–	–	–
23	22	21	20	19	18	17	16
–	–	–	–	–	–	–	–
15	14	13	12	11	10	9	8
–	–	–	–	–	–	–	–
7	6	5	4	3	2	1	0
–	–	DONEIEN	ADDIEN	DSCRIEN	DMAIEN	LFETCH	DFETCH

DFETCH: Transfer Descriptor Fetch Enable

0: Transfer Descriptor fetch is disabled

1: Transfer Descriptor fetch is enabled

LFETCH: Lookup Table Fetch Enable

0: Lookup Table DMA fetch is disabled

1: Lookup Table DMA fetch is enabled

DMAIEN: End of DMA Transfer Interrupt Enable

0: DMA transfer completed interrupt is enabled

1: DMA transfer completed interrupt is disabled

DSCRIEN: Descriptor Loaded Interrupt Enable

0: Transfer descriptor loaded interrupt is enabled

1: Transfer descriptor loaded interrupt is disabled

ADDIEN: Add Head Descriptor to Queue Interrupt Enable

0: Transfer descriptor added to queue interrupt is enabled

1: Transfer descriptor added to queue interrupt is disabled

DONEIEN: End of List Interrupt Enable

0: End of list interrupt is disabled

1: End of list interrupt is enabled

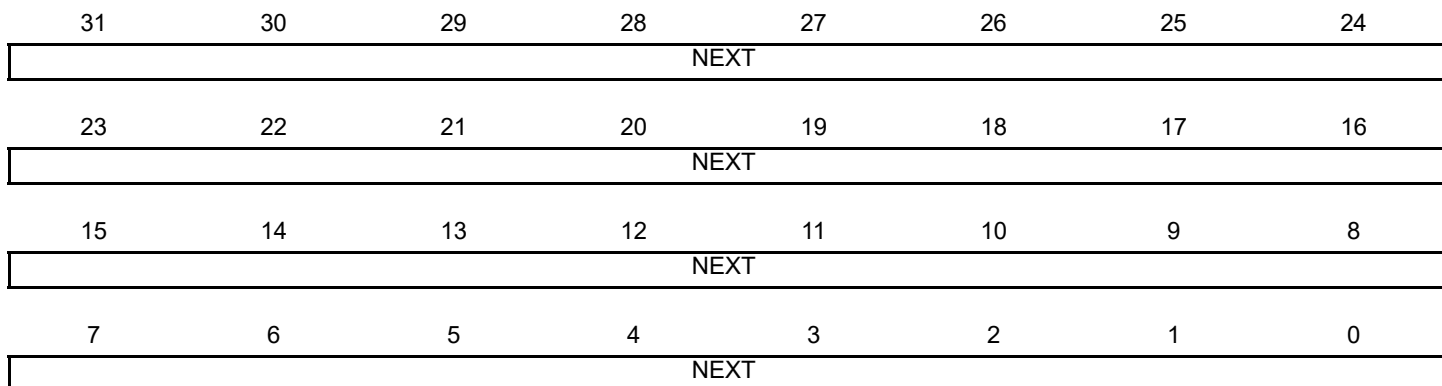
SAMA5D3 SERIES

32.7.44 Overlay 1 Next Register

Name: LCDC_OVR1NEXT

Address: 0xF0030168

Access: Read/Write



NEXT: DMA Descriptor Next Address

The transfer descriptor address must be aligned on a 64-bit boundary.

32.7.45 Overlay 1 Configuration Register 0

Name: LCDC_OVR1CFG0

Address: 0xF003016C

Access: Read/Write

31	30	29	28	27	26	25	24
–	–	–	–	–	–	–	–
23	22	21	20	19	18	17	16
–	–	–	–	–	–	–	–
15	14	13	12	11	10	9	8
–	–	LOCKDIS	ROTDIS	–	–	–	DLBO
7	6	5	4	3	2	1	0
–	–	BLEN		–	–	–	SIF

SIF: Source Interface

0: Base Layer data is retrieved through AHB interface 0.

1: Base Layer data is retrieved through AHB interface 1.

BLEN: AHB Burst Length

Value	Name	Description
0	AHB_BLEN_SINGLE	AHB Access is started as soon as there is enough space in the FIFO to store one data. SINGLE, INCR, INCR4, INCR8 and INCR16 bursts are used. INCR is used for a burst of 2 and 3 beats.
1	AHB_BLEN_INCR4	AHB Access is started as soon as there is enough space in the FIFO to store a total amount of 4 data. An AHB INCR4 Burst is used. SINGLE, INCR and INCR4 bursts are used. INCR is used for a burst of 2 and 3 beats.
2	AHB_BLEN_INCR8	AHB Access is started as soon as there is enough space in the FIFO to store a total amount of 8 data. An AHB INCR8 Burst is used. SINGLE, INCR, INCR4 and INCR8 bursts are used. INCR is used for a burst of 2 and 3 beats.
3	AHB_BLEN_INCR16	AHB Access is started as soon as there is enough space in the FIFO to store a total amount of 16 data. An AHB INCR16 Burst is used. SINGLE, INCR, INCR4, INCR8 and INCR16 bursts are used. INCR is used for a burst of 2 and 3 beats.

DLBO: Defined Length Burst Only for Channel Bus Transaction

0: Undefined length INCR burst is used for a burst of 2 and 3 beats.

1: Only Defined Length burst is used (SINGLE, INCR4, INCR8 and INCR16).

ROTDIS: Hardware Rotation Optimization Disable

0: Rotation optimization is enabled.

1: Rotation optimization is disabled.

LOCKDIS: Hardware Rotation Lock Disable

0: AHB lock signal is asserted when a rotation is performed.

1: AHB lock signal is cleared when a rotation is performed.

SAMA5D3 SERIES

32.7.46 Overlay 1 Configuration Register 1

Name: LCDC_OVR1CFG1

Address: 0xF0030170

Access: Read/Write

31	30	29	28	27	26	25	24
–	–	–	–	–	–	–	–
23	22	21	20	19	18	17	16
–	–	–	–	–	–	–	–
15	14	13	12	11	10	9	8
–	–	–	–	–	–	CLUTMODE	
7	6	5	4	3	2	1	0
RGBMODE				–	–	–	CLUTEN

CLUTEN: Color Lookup Table Mode Enable

0: RGB mode is selected.

1: Color Lookup Table mode is selected.

RGBMODE: RGB Mode Input Selection

Value	Name	Description
0	12BPP_RGB_444	12 bpp RGB 444
1	16BPP_ARGB_4444	16 bpp ARGB 4444
2	16BPP_RGBA_4444	16 bpp RGBA 4444
3	16BPP_RGB_565	16 bpp RGB 565
4	16BPP_TRGB_1555	16 bpp TRGB 1555
5	18BPP_RGB_666	18 bpp RGB 666
6	18BPP_RGB_666PACKED	18 bpp RGB 666 PACKED
7	19BPP_TRGB_1666	19 bpp TRGB 1666
8	19BPP_TRGB_PACKED	19 bpp TRGB 1666 PACKED
9	24BPP_RGB_888	24 bpp RGB 888
10	24BPP_RGB_888_PACKED	24 bpp RGB 888 PACKED
11	25BPP_TRGB_1888	25 bpp TRGB 1888
12	32BPP_ARGB_8888	32 bpp ARGB 8888
13	32BPP_RGBA_8888	32 bpp RGBA 8888

CLUTMODE: Color Lookup Table Mode Input Selection

Value	Name	Description
0	CLUT_1BPP	Color Lookup Table mode set to 1 bit per pixel
1	CLUT_2BPP	Color Lookup Table mode set to 2 bits per pixel
2	CLUT_4BPP	Color Lookup Table mode set to 4 bits per pixel
3	CLUT_8BPP	Color Lookup Table mode set to 8 bits per pixel

32.7.47 Overlay 1 Configuration Register 2

Name: LCDC_OVR1CFG2

Address: 0xF0030174

Access: Read/Write

31	30	29	28	27	26	25	24
-	-	-	-	-	YPOS		
23	22	21	20	19	18	17	16
YPOS							
15	14	13	12	11	10	9	8
-	-	-	-	-	XPOS		
7	6	5	4	3	2	1	0
XPOS							

XPOS: Horizontal Window Position

Overlay 1 Horizontal window position.

YPOS: Vertical Window Position

Overlay 1 Vertical window position.

SAMA5D3 SERIES

32.7.48 Overlay 1 Configuration Register 3

Name: LCDC_OVR1CFG3

Address: 0xF0030178

Access: Read/Write

31	30	29	28	27	26	25	24
–	–	–	–	–	YSIZE		
23	22	21	20	19	18	17	16
YSIZE							
15	14	13	12	11	10	9	8
–	–	–	–	–	XSIZE		
7	6	5	4	3	2	1	0
XSIZE							

XSIZE: Horizontal Window Size

Overlay 1 window width in pixels. The window width is set to (XSIZE + 1).

The following constraint must be met: $XPOS + XSIZE \leq PPL$

YSIZE: Vertical Window Size

Overlay 1 window height in pixels. The window height is set to (YSIZE + 1).

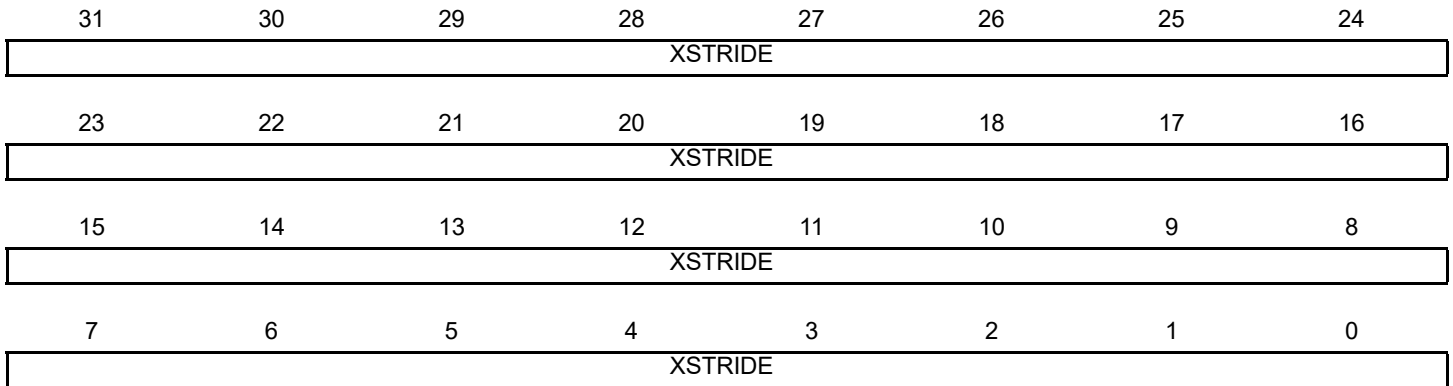
The following constraint must be met: $YPOS + YSIZE \leq RPF$

32.7.49 Overlay 1 Configuration Register 4

Name: LCDC_OVR1CFG4

Address: 0xF003017C

Access: Read/Write



XSTRIDE: Horizontal Stride

XSTRIDE represents the memory offset, in bytes, between two rows of the image memory.

SAMA5D3 SERIES

32.7.50 Overlay 1 Configuration Register 5

Name: LCDC_OVR1CFG5

Address: 0xF0030180

Access: Read/Write

31	30	29	28	27	26	25	24
PSTRIDE							
23	22	21	20	19	18	17	16
PSTRIDE							
15	14	13	12	11	10	9	8
PSTRIDE							
7	6	5	4	3	2	1	0
PSTRIDE							

PSTRIDE: Pixel Stride

PSTRIDE represents the memory offset, in bytes, between two pixels of the image.

32.7.51 Overlay 1 Configuration Register 6

Name: LCDC_OVR1CFG6

Address: 0xF0030184

Access: Read/Write

31	30	29	28	27	26	25	24
–	–	–	–	–	–	–	–
23	22	21	20	19	18	17	16
RDEF							
15	14	13	12	11	10	9	8
GDEF							
7	6	5	4	3	2	1	0
BDEF							

RDEF: Red Default

Default Red color when the Overlay 1 DMA channel is disabled.

GDEF: Green Default

Default Green color when the Overlay 1 DMA channel is disabled.

BDEF: Blue Default

Default Blue color when the Overlay 1 DMA channel is disabled.

SAMA5D3 SERIES

32.7.52 Overlay 1 Configuration Register 7

Name: LCDC_OVR1CFG7

Address: 0xF0030188

Access: Read/Write

31	30	29	28	27	26	25	24
–	–	–	–	–	–	–	–
23	22	21	20	19	18	17	16
RKEY							
15	14	13	12	11	10	9	8
GKEY							
7	6	5	4	3	2	1	0
BKEY							

RKEY: Red Color Component Chroma Key

Reference Red chroma key used to match the Red color of the current overlay.

GKEY: Green Color Component Chroma Key

Reference Green chroma key used to match the Green color of the current overlay.

BKEY: Blue Color Component Chroma Key

Reference Blue chroma key used to match the Blue color of the current overlay.

32.7.53 Overlay 1 Configuration Register 8

Name: LCDDC_OVR1CFG8

Address: 0xF003018C

Access: Read/Write

31	30	29	28	27	26	25	24
–	–	–	–	–	–	–	–
23	22	21	20	19	18	17	16
RMask							
15	14	13	12	11	10	9	8
GMask							
7	6	5	4	3	2	1	0
BMask							

RMask: Red Color Component Chroma Key Mask

Red Mask used when the compare function is used. If a bit is set then this bit is compared.

GMask: Green Color Component Chroma Key Mask

Green Mask used when the compare function is used. If a bit is set then this bit is compared.

BMask: Blue Color Component Chroma Key Mask

Blue Mask used when the compare function is used. If a bit is set then this bit is compared.

SAMA5D3 SERIES

32.7.54 Overlay 1 Configuration Register 9

Name: LCDDC_OVR1CFG9

Address: 0xF0030190

Access: Read/Write

31	30	29	28	27	26	25	24
–	–	–	–	–	–	–	–
23	22	21	20	19	18	17	16
GA							
15	14	13	12	11	10	9	8
–	–	–	–	–	DSTKEY	REP	DMA
7	6	5	4	3	2	1	0
OVR	LAEN	GAEN	REVALPHA	ITER	ITER2BL	INV	CRKEY

CRKEY: Blender Chroma Key Enable

0: Chroma key matching is disabled.

1: Chroma key matching is enabled.

INV: Blender Inverted Blender Output Enable

0: Iterated pixel is the blended pixel.

1: Iterated pixel is the inverted pixel.

ITER2BL: Blender Iterated Color Enable

0: Final adder stage operand is set to 0.

1: Final adder stage operand is set to the iterated pixel value.

ITER: Blender Use Iterated Color

0: Pixel difference is set to 0.

1: Pixel difference is set to the iterated pixel value.

REVALPHA: Blender Reverse Alpha

0: Pixel difference is multiplied by alpha.

1: Pixel difference is multiplied by 1 - alpha.

GAEN: Blender Global Alpha Enable

0: Global alpha blending coefficient is disabled.

1: Global alpha blending coefficient is enabled.

LAEN: Blender Local Alpha Enable

0: Local alpha blending coefficient is disabled.

1: Local alpha blending coefficient is enabled.

OVR: Blender Overlay Layer Enable

0: Overlay pixel color is set to the default overlay pixel color.

1: Overlay pixel color is set to the DMA channel pixel color.

DMA: Blender DMA Layer Enable

0: The default color is used on the Overlay 1 Layer.

1: The DMA channel retrieves the pixels stream from the memory.

REP: Use Replication logic to expand RGB color to 24 bits

0: When the selected pixel depth is less than 24 bpp the pixel is shifted and least significant bits are set to 0.

1: When the selected pixel depth is less than 24 bpp the pixel is shifted and the least significant bit replicates the msb.

DSTKEY: Destination Chroma Keying

0: Source Chroma keying is enabled.

1: Destination Chroma keying is used.

GA: Blender Global Alpha

Global alpha blender for the current layer.

SAMA5D3 SERIES

32.7.55 Overlay 2 Channel Enable Register

Name: LCDDC_OVR2CHER

Address: 0xF0030240

Access: Write-only

31	30	29	28	27	26	25	24
–	–	–	–	–	–	–	–
23	22	21	20	19	18	17	16
–	–	–	–	–	–	–	–
15	14	13	12	11	10	9	8
–	–	–	–	–	–	–	–
7	6	5	4	3	2	1	0
–	–	–	–	–	A2QEN	UPDATEEN	CHEN

CHEN: Channel Enable

0: No effect

1: Enables the DMA channel

UPDATEEN: Update Overlay Attributes Enable

0: No effect

1: Updates windows attributes on the next start of frame.

A2QEN: Add To Queue Enable

0: No effect

1: Indicates that a valid descriptor has been written to memory, its memory location should be written to the DMA head pointer. The A2QSR status bit is set to one, and it is reset by hardware as soon as the descriptor pointed to by the DMA head pointer is added to the list.

32.7.56 Overlay 2 Channel Disable Register

Name: LCDDC_OVR2CHDR

Address: 0xF0030244

Access: Write-only

31	30	29	28	27	26	25	24
–	–	–	–	–	–	–	–
23	22	21	20	19	18	17	16
–	–	–	–	–	–	–	–
15	14	13	12	11	10	9	8
–	–	–	–	–	–	–	CHRST
7	6	5	4	3	2	1	0
–	–	–	–	–	–	–	CHDIS

CHDIS: Channel Disable

0: No effect

1: Disables the layer at the end of the current frame. The frame is completed.

CHRST: Channel Reset

0: No effect

1: Resets the layer immediately. The frame is aborted.

SAMA5D3 SERIES

32.7.57 Overlay 2 Channel Status Register

Name: LCDDC_OVR2CHSR

Address: 0xF0030248

Access: Read-only

31	30	29	28	27	26	25	24
–	–	–	–	–	–	–	–
23	22	21	20	19	18	17	16
–	–	–	–	–	–	–	–
15	14	13	12	11	10	9	8
–	–	–	–	–	–	–	–
7	6	5	4	3	2	1	0
–	–	–	–	–	A2QSR	UPDATESR	CHSR

CHSR: Channel Status

0: Layer disabled

1: Layer enabled

UPDATESR: Update Overlay Attributes In Progress Status

0: No update pending

1: Overlay attributes will be updated on the next frame

A2QSR: Add To Queue Status

0: Add to queue not pending

1: Add to queue pending

32.7.58 Overlay 2 Interrupt Enable Register

Name: LCDC_OVR2IER

Address: 0xF003024C

Access: Write-only

31	30	29	28	27	26	25	24
–	–	–	–	–	–	–	–
23	22	21	20	19	18	17	16
–	–	–	–	–	–	–	–
15	14	13	12	11	10	9	8
–	–	–	–	–	–	–	–
7	6	5	4	3	2	1	0
–	OVR	DONE	ADD	DSCR	DMA	–	–

DMA: End of DMA Transfer Interrupt Enable

0: No effect

1: Interrupt source is enabled

DSCR: Descriptor Loaded Interrupt Enable

0: No effect

1: Interrupt source is enabled

ADD: Head Descriptor Loaded Interrupt Enable

0: No effect

1: Interrupt source is enabled

DONE: End of List Interrupt Enable

0: No effect

1: Interrupt source is enabled

OVR: Overflow Interrupt Enable

0: No effect

1: Interrupt source is enabled

SAMA5D3 SERIES

32.7.59 Overlay 2 Interrupt Disable Register

Name:LCDC_OVR2IDR

Address:0xF0030250

Access: Write-only

31	30	29	28	27	26	25	24
–	–	–	–	–	–	–	–
23	22	21	20	19	18	17	16
–	–	–	–	–	–	–	–
15	14	13	12	11	10	9	8
–	–	–	–	–	–	–	–
7	6	5	4	3	2	1	0
–	OVR	DONE	ADD	DSCR	DMA	–	–

DMA: End of DMA Transfer Interrupt Disable

0: No effect

1: Interrupt source is disabled

DSCR: Descriptor Loaded Interrupt Disable

0: No effect

1: Interrupt source is disabled

ADD: Head Descriptor Loaded Interrupt Disable

0: No effect

1: Interrupt source is disabled

DONE: End of List Interrupt Disable

0: No effect

1: Interrupt source is disabled

OVR: Overflow Interrupt Disable

0: No effect

1: Interrupt source is disabled

32.7.60 Overlay 2 Interrupt Mask Register

Name: LCDC_OVR2IMR

Address: 0xF0030254

Access: Read-only

31	30	29	28	27	26	25	24
–	–	–	–	–	–	–	–
23	22	21	20	19	18	17	16
–	–	–	–	–	–	–	–
15	14	13	12	11	10	9	8
–	–	–	–	–	–	–	–
7	6	5	4	3	2	1	0
–	OVR	DONE	ADD	DSCR	DMA	–	–

DMA: End of DMA Transfer Interrupt Mask

0: Interrupt source is disabled

1: Interrupt source is enabled

DSCR: Descriptor Loaded Interrupt Mask

0: Interrupt source is disabled

1: Interrupt source is enabled

ADD: Head Descriptor Loaded Interrupt Mask

0: Interrupt source is disabled

1: Interrupt source is enabled

DONE: End of List Interrupt Mask

0: Interrupt source is disabled

1: Interrupt source is enabled

OVR: Overflow Interrupt Mask

0: Interrupt source is disabled

1: Interrupt source is enabled

SAMA5D3 SERIES

32.7.61 Overlay 2 Interrupt Status Register

Name: LCDC_OVR2ISR

Address: 0xF0030258

Access: Read-only

31	30	29	28	27	26	25	24
–	–	–	–	–	–	–	–
23	22	21	20	19	18	17	16
–	–	–	–	–	–	–	–
15	14	13	12	11	10	9	8
–	–	–	–	–	–	–	–
7	6	5	4	3	2	1	0
–	OVR	DONE	ADD	DSCR	DMA	–	–

DMA: End of DMA Transfer

0: No End of Transfer has been detected since last read of LCDC_OVR2ISR

1: End of Transfer has been detected. This flag is reset after a read operation.

DSCR: DMA Descriptor Loaded

0: No descriptor has been loaded since last read of LCDC_OVR2ISR

1: A descriptor has been loaded successfully. This flag is reset after a read operation.

ADD: Head Descriptor Loaded

0: No descriptor has been loaded since last read of LCDC_OVR2ISR

1: The descriptor pointed to by the LCDC_OVR2HEAD register has been loaded successfully. This flag is reset after a read operation.

DONE: End of List Detected

0: No End of List condition occurred since last read of LCDC_OVR2ISR

1: End of List condition has occurred. This flag is reset after a read operation.

OVR: Overflow Detected

0: No overflow occurred since last read of LCDC_OVR2ISR

1: An overflow occurred. This flag is reset after a read operation.

32.7.62 Overlay 2 Head Register

Name: LCDC_OVR2HEAD

Address: 0xF003025C

Access: Read/Write

31	30	29	28	27	26	25	24
HEAD							
23	22	21	20	19	18	17	16
HEAD							
15	14	13	12	11	10	9	8
HEAD							
7	6	5	4	3	2	1	0
HEAD						-	-

HEAD: DMA Head Pointer

The Head Pointer points to a new descriptor.

SAMA5D3 SERIES

32.7.63 Overlay 2 Address Register

Name: LCDC_OVR2ADDR

Address: 0xF0030260

Access: Read/Write

31	30	29	28	27	26	25	24
ADDR							
23	22	21	20	19	18	17	16
ADDR							
15	14	13	12	11	10	9	8
ADDR							
7	6	5	4	3	2	1	0
ADDR							

ADDR: DMA Transfer Overlay 2 Address

Overlay 2 frame buffer base address.

32.7.64 Overlay 2 Control Register

Name: LCDDC_OVR2CTRL

Address: 0xF0030264

Access: Read/Write

31	30	29	28	27	26	25	24
–	–	–	–	–	–	–	–
23	22	21	20	19	18	17	16
–	–	–	–	–	–	–	–
15	14	13	12	11	10	9	8
–	–	–	–	–	–	–	–
7	6	5	4	3	2	1	0
–	–	DONEIEN	ADDIEN	DSCRIEN	DMAIEN	LFETCH	DFETCH

DFETCH: Transfer Descriptor Fetch Enable

0: Transfer Descriptor fetch is disabled.

1: Transfer Descriptor fetch is enabled.

LFETCH: Lookup Table Fetch Enable

0: Lookup Table DMA fetch is disabled.

1: Lookup Table DMA fetch is enabled.

DMAIEN: End of DMA Transfer Interrupt Enable

0: DMA transfer completed interrupt is enabled.

1: DMA transfer completed interrupt is disabled.

DSCRIEN: Descriptor Loaded Interrupt Enable

0: Transfer descriptor loaded interrupt is enabled.

1: Transfer descriptor loaded interrupt is disabled.

ADDIEN: Add Head Descriptor to Queue Interrupt Enable

0: Transfer descriptor added to queue interrupt is enabled.

1: Transfer descriptor added to queue interrupt is disabled.

DONEIEN: End of List Interrupt Enable

0: End of list interrupt is disabled.

1: End of list interrupt is enabled.

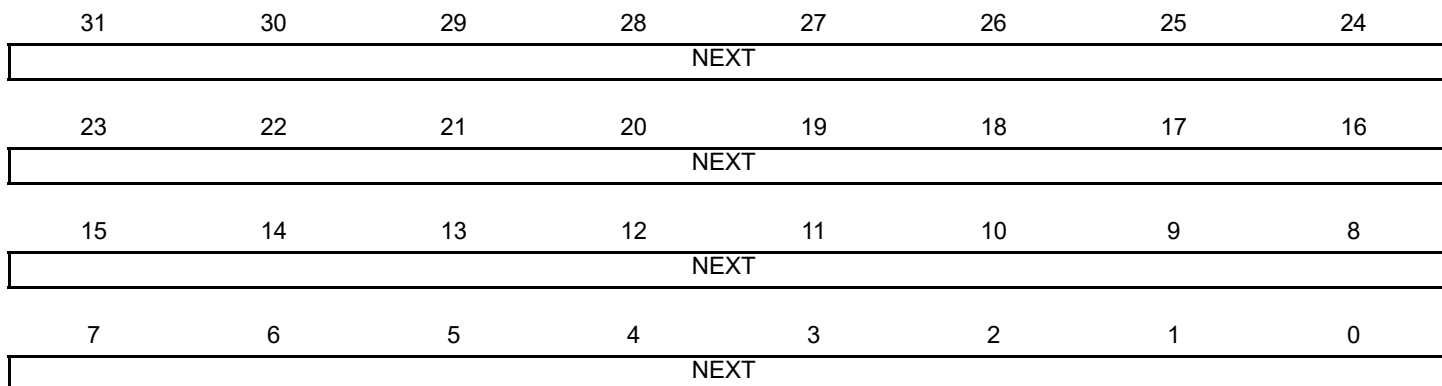
SAMA5D3 SERIES

32.7.65 Overlay 2 Next Register

Name: LCDC_OVR2NEXT

Address: 0xF0030268

Access: Read/Write



NEXT: DMA Descriptor Next Address

The transfer descriptor address must be aligned on a 64-bit boundary.

32.7.66 Overlay 2 Configuration Register 0

Name: LCDC_OVR2CFG0

Address: 0xF003026C

Access: Read/Write

31	30	29	28	27	26	25	24
–	–	–	–	–	–	–	–
23	22	21	20	19	18	17	16
–	–	–	–	–	–	–	–
15	14	13	12	11	10	9	8
–	–	LOCKDIS	ROTDIS	–	–	–	DLBO
7	6	5	4	3	2	1	0
–	–	BLEN		–	–	–	–

BLEN: AHB Burst Length

Value	Name	Description
0	AHB_SINGLE	AHB Access is started as soon as there is enough space in the FIFO to store one data. SINGLE, INCR, INCR4, INCR8 and INCR16 bursts are used. INCR is used for a burst of 2 and 3 beats.
1	AHB_INCR4	AHB Access is started as soon as there is enough space in the FIFO to store a total amount of 4 data. An AHB INCR4 Burst is used. SINGLE, INCR and INCR4 bursts are used. INCR is used for a burst of 2 and 3 beats.
2	AHB_INCR8	AHB Access is started as soon as there is enough space in the FIFO to store a total amount of 8 data. An AHB INCR8 Burst is used. SINGLE, INCR, INCR4 and INCR8 bursts are used. INCR is used for a burst of 2 and 3 beats.
3	AHB_INCR16	AHB Access is started as soon as there is enough space in the FIFO to store a total amount of 16 data. An AHB INCR16 Burst is used. SINGLE, INCR, INCR4, INCR8 and INCR16 bursts are used. INCR is used for a burst of 2 and 3 beats.

DLBO: Defined Length Burst Only For Channel Bus Transaction

0: Undefined length INCR burst is used for 2 and 3 beats burst.

1: Only Defined Length burst is used (SINGLE, INCR4, INCR8 and INCR16).

ROTDIS: Hardware Rotation Optimization Disable

0: Rotation optimization is enabled.

1: Rotation optimization is disabled.

LOCKDIS: Hardware Rotation Lock Disable

0: AHB lock signal is asserted when a rotation is performed.

1: AHB lock signal is cleared when a rotation is performed.

SAMA5D3 SERIES

32.7.67 Overlay 2 Configuration Register 1

Name: LCDDC_OVR2CFG1

Address: 0xF0030270

Access: Read/Write

31	30	29	28	27	26	25	24
–	–	–	–	–	–	–	–
23	22	21	20	19	18	17	16
–	–	–	–	–	–	–	–
15	14	13	12	11	10	9	8
–	–	–	–	–	–	CLUTMODE	
7	6	5	4	3	2	1	0
RGBMODE				–	–	–	CLUTEN

CLUTEN: Color Lookup Table Mode Enable

0: RGB mode is selected.

1: Color Lookup Table mode is selected.

RGBMODE: RGB Mode Input Selection

Value	Name	Description
0	12BPP_RGB_444	12 bpp RGB 444
1	16BPP_ARGB_4444	16 bpp ARGB 4444
2	16BPP_RGBA_4444	16 bpp RGBA 4444
3	16BPP_RGB_565	16 bpp RGB 565
4	16BPP_TRGB_1555	16 bpp TRGB 1555
5	18BPP_RGB_666	18 bpp RGB 666
6	18BPP_RGB_666PACKED	18 bpp RGB 666 PACKED
7	19BPP_TRGB_1666	19 bpp TRGB 1666
8	19BPP_TRGB_PACKED	19 bpp TRGB 1666 PACKED
9	24BPP_RGB_888	24 bpp RGB 888
10	24BPP_RGB_888_PACKED	24 bpp RGB 888 PACKED
11	25BPP_TRGB_1888	25 bpp TRGB 1888
12	32BPP_ARGB_8888	32 bpp ARGB 8888
13	32BPP_RGBA_8888	32 bpp RGBA 8888

CLUTMODE: Color Lookup Table Mode Input Selection

Value	Name	Description
0	CLUT_1BPP	Color Lookup Table mode set to 1 bit per pixel
1	CLUT_2BPP	Color Lookup Table mode set to 2 bits per pixel
2	CLUT_4BPP	Color Lookup Table mode set to 4 bits per pixel
3	CLUT_8BPP	Color Lookup Table mode set to 8 bits per pixel

32.7.68 Overlay 2 Configuration Register 2

Name: LCDC_OVR2CFG2

Address: 0xF0030274

Access: Read/Write

31	30	29	28	27	26	25	24
–	–	–	–	–	YPOS		
23	22	21	20	19	18	17	16
YPOS							
15	14	13	12	11	10	9	8
–	–	–	–	–	XPOS		
7	6	5	4	3	2	1	0
XPOS							

XPOS: Horizontal Window Position

Overlay 2 Horizontal window position.

YPOS: Vertical Window Position

Overlay 2 Vertical window position.

SAMA5D3 SERIES

32.7.69 Overlay 2 Configuration Register 3

Name: LCDC_OVR2CFG3

Address: 0xF0030278

Access: Read/Write

31	30	29	28	27	26	25	24
–	–	–	–	–	YSIZE		
23	22	21	20	19	18	17	16
YSIZE							
15	14	13	12	11	10	9	8
–	–	–	–	–	XSIZE		
7	6	5	4	3	2	1	0
XSIZE							

XSIZE: Horizontal Window Size

Overlay 2 window width in pixels. The window width is set to (XSIZE + 1).

The following constraint must be met: $XPOS + XSIZE \leq PPL$

YSIZE: Vertical Window Size

Overlay 2 window height in pixels. The window height is set to (YSIZE + 1).

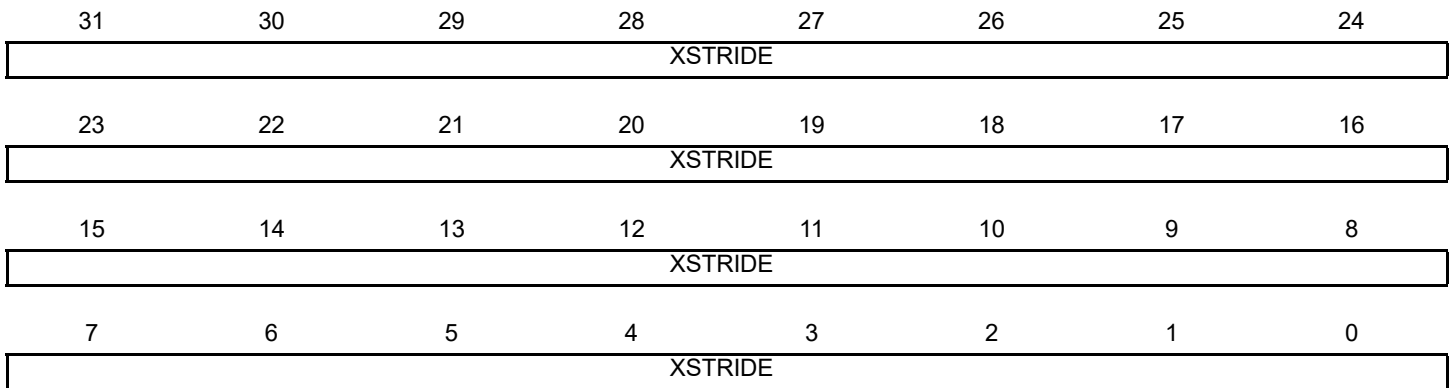
The following constraint must be met: $YPOS + YSIZE \leq RPF$

32.7.70 Overlay 2 Configuration Register 4

Name: LCDC_OVR2CFG4

Address: 0xF003027C

Access: Read/Write



XSTRIDE: Horizontal Stride

XSTRIDE represents the memory offset, in bytes, between two rows of the image memory.

SAMA5D3 SERIES

32.7.71 Overlay 2 Configuration Register 5

Name: LCDC_OVR2CFG5

Address: 0xF0030280

Access: Read/Write

31	30	29	28	27	26	25	24
PSTRIDE							
23	22	21	20	19	18	17	16
PSTRIDE							
15	14	13	12	11	10	9	8
PSTRIDE							
7	6	5	4	3	2	1	0
PSTRIDE							

PSTRIDE: Pixel Stride

PSTRIDE represents the memory offset, in bytes, between two pixels of the image memory.

32.7.72 Overlay 2 Configuration Register 6

Name: LCDC_OVR2CFG6

Address: 0xF0030284

Access: Read/Write

31	30	29	28	27	26	25	24
–	–	–	–	–	–	–	–
23	22	21	20	19	18	17	16
RDEF							
15	14	13	12	11	10	9	8
GDEF							
7	6	5	4	3	2	1	0
BDEF							

RDEF: Red Default

Default Red color when the Overlay 1 DMA channel is disabled.

GDEF: Green Default

Default Green color when the Overlay 1 DMA channel is disabled.

BDEF: Blue Default

Default Blue color when the Overlay 1 DMA channel is disabled.

SAMA5D3 SERIES

32.7.73 Overlay 2 Configuration Register 7

Name: LCDC_OVR2CFG7

Address: 0xF0030288

Access: Read/Write

31	30	29	28	27	26	25	24
–	–	–	–	–	–	–	–
23	22	21	20	19	18	17	16
RKEY							
15	14	13	12	11	10	9	8
GKEY							
7	6	5	4	3	2	1	0
BKEY							

RKEY: Red Color Component Chroma Key

Reference Red chroma key used to match the Red color of the current overlay.

GKEY: Green Color Component Chroma Key

Reference Green chroma key used to match the Green color of the current overlay.

BKEY: Blue Color Component Chroma Key

Reference Blue chroma key used to match the Blue color of the current overlay.

32.7.74 Overlay 2 Configuration Register 8

Name: LCDC_OVR2CFG8

Address: 0xF003028C

Access: Read/Write

31	30	29	28	27	26	25	24
–	–	–	–	–	–	–	–
23	22	21	20	19	18	17	16
RMask							
15	14	13	12	11	10	9	8
GMask							
7	6	5	4	3	2	1	0
BMask							

RMask: Red Color Component Chroma Key Mask

Red Mask used when the compare function is used. If a bit is set then this bit is compared.

GMask: Green Color Component Chroma Key Mask

Green Mask used when the compare function is used. If a bit is set then this bit is compared.

BMask: Blue Color Component Chroma Key Mask

Blue Mask used when the compare function is used. If a bit is set then this bit is compared.

SAMA5D3 SERIES

32.7.75 Overlay 2 Configuration Register 9

Name: LCDDC_OVR2CFG9

Address: 0xF0030290

Access: Read/Write

31	30	29	28	27	26	25	24
–	–	–	–	–	–	–	–
23	22	21	20	19	18	17	16
GA							
15	14	13	12	11	10	9	8
–	–	–	–	–	DSTKEY	REP	DMA
7	6	5	4	3	2	1	0
OVR	LAEN	GAEN	REVALPHA	ITER	ITER2BL	INV	CRKEY

CRKEY: Blender Chroma Key Enable

0: Chroma key matching is disabled.

1: Chroma key matching is enabled.

INV: Blender Inverted Blender Output Enable

0: Iterated pixel is the blended pixel.

1: Iterated pixel is the inverted pixel.

ITER2BL: Blender Iterated Color Enable

0: Final adder stage operand is set to 0.

1: Final adder stage operand is set to the iterated pixel value.

ITER: Blender Use Iterated Color

0: Pixel difference is set to 0.

1: Pixel difference is set to the iterated pixel value.

REVALPHA: Blender Reverse Alpha

0: Pixel difference is multiplied by alpha.

1: Pixel difference is multiplied by 1 - alpha.

GAEN: Blender Global Alpha Enable

0: Global alpha blending coefficient is disabled.

1: Global alpha blending coefficient is enabled.

LAEN: Blender Local Alpha Enable

0: Local alpha blending coefficient is disabled.

1: Local alpha blending coefficient is enabled.

OVR: Blender Overlay Layer Enable

0: Overlay pixel color is set to the default overlay pixel color.

1: Overlay pixel color is set to the DMA channel pixel color.

DMA: Blender DMA Layer Enable

0: The default color is used on the Overlay 1 Layer.

1: The DMA channel retrieves the pixels stream from the memory.

REP: Use Replication logic to expand RGB color to 24 bits

0: When the selected pixel depth is less than 24 bpp the pixel is shifted and least significant bits are set to 0.

1: When the selected pixel depth is less than 24 bpp the pixel is shifted and the least significant bit replicates the msb.

DSTKEY: Destination Chroma Keying

0: Source Chroma keying is enabled.

1: Destination Chroma keying is used.

GA: Blender Global Alpha

Global alpha blender for the current layer.

SAMA5D3 SERIES

32.7.76 High End Overlay Channel Enable Register

Name: LCDDC_HEOCHER

Address: 0xF0030340

Access: Write-only

31	30	29	28	27	26	25	24
–	–	–	–	–	–	–	–
23	22	21	20	19	18	17	16
–	–	–	–	–	–	–	–
15	14	13	12	11	10	9	8
–	–	–	–	–	–	–	–
7	6	5	4	3	2	1	0
–	–	–	–	–	A2QEN	UPDATEEN	CHEN

CHEN: Channel Enable

0: No effect

1: Enables the DMA channel

UPDATEEN: Update Overlay Attributes Enable

0: No effect

1: Updates windows attributes on the next start of frame.

A2QEN: Add To Queue Enable

0: No effect

1: Indicates that a valid descriptor has been written to memory, its memory location should be written to the DMA head pointer. The A2QSR status bit is set to one, and it is reset by hardware as soon as the descriptor pointed to by the DMA head pointer is added to the list.

32.7.77 High End Overlay Channel Disable Register

Name: LCDC_HEOCHDR

Address: 0xF0030344

Access: Write-only

31	30	29	28	27	26	25	24
–	–	–	–	–	–	–	–
23	22	21	20	19	18	17	16
–	–	–	–	–	–	–	–
15	14	13	12	11	10	9	8
–	–	–	–	–	–	–	CHRST
7	6	5	4	3	2	1	0
–	–	–	–	–	–	–	CHDIS

CHDIS: Channel Disable

0: No effect

1: Disables the layer at the end of the current frame. The frame is completed.

CHRST: Channel Reset

0: No effect

1: Resets the layer immediately. The frame is aborted.

SAMA5D3 SERIES

32.7.78 High End Overlay Channel Status Register

Name: LCDC_HEOCHSR

Address: 0xF0030348

Access: Read-only

31	30	29	28	27	26	25	24
–	–	–	–	–	–	–	–
23	22	21	20	19	18	17	16
–	–	–	–	–	–	–	–
15	14	13	12	11	10	9	8
–	–	–	–	–	–	–	–
7	6	5	4	3	2	1	0
–	–	–	–	–	A2QSR	UPDATESR	CHSR

CHSR: Channel Status

0: Layer disabled

1: Layer enabled

UPDATESR: Update Overlay Attributes In Progress Status

0: No update pending

1: Overlay attributes will be updated on the next frame

A2QSR: Add To Queue Status

0: Add to queue not pending

1: Add to queue pending

32.7.79 High End Overlay Interrupt Enable Register

Name: LCDC_HEOIER

Address: 0xF003034C

Access: Write-only

31	30	29	28	27	26	25	24
–	–	–	–	–	–	–	–
23	22	21	20	19	18	17	16
–	VOVR	VDONE	VADD	VDSCR	VDMA	–	–
15	14	13	12	11	10	9	8
–	UOVR	UDONE	UADD	UDSCR	UDMA	–	–
7	6	5	4	3	2	1	0
–	OVR	DONE	ADD	DSCR	DMA	–	–

DMA: End of DMA Transfer Interrupt Enable

0: No effect

1: Interrupt source is enabled

DSCR: Descriptor Loaded Interrupt Enable

0: No effect

1: Interrupt source is enabled

ADD: Head Descriptor Loaded Interrupt Enable

0: No effect

1: Interrupt source is enabled

DONE: End of List Interrupt Enable

0: No effect

1: Interrupt source is enabled

OVR: Overflow Interrupt Enable

0: No effect

1: Interrupt source is enabled

UDMA: End of DMA Transfer for U or UV Chrominance Interrupt Enable

0: No effect

1: Interrupt source is enabled

UDSCR: Descriptor Loaded for U or UV Chrominance Interrupt Enable

0: No effect

1: Interrupt source is enabled

UADD: Head Descriptor Loaded for U or UV Chrominance Interrupt Enable

0: No effect

1: Interrupt source is enabled

UDONE: End of List for U or UV Chrominance Interrupt Enable

0: No effect

1: Interrupt source is enabled

SAMA5D3 SERIES

UOVR: Overflow for U or UV Chrominance Interrupt Enable

0: No effect

1: Interrupt source is enabled

VDMA: End of DMA for V Chrominance Transfer Interrupt Enable

0: No effect

1: Interrupt source is enabled

VDSCR: Descriptor Loaded for V Chrominance Interrupt Enable

0: No effect

1: Interrupt source is enabled

VADD: Head Descriptor Loaded for V Chrominance Interrupt Enable

0: No effect

1: Interrupt source is enabled

VDONE: End of List for V Chrominance Interrupt Enable

0: No effect

1: Interrupt source is enabled

VOVR: Overflow for V Chrominance Interrupt Enable

0: No effect

1: Interrupt source is enabled

32.7.80 High End Overlay Interrupt Disable Register

Name: LCDC_HEOISR

Address: 0xF0030350

Access: Write-only

31	30	29	28	27	26	25	24
–	–	–	–	–	–	–	–
23	22	21	20	19	18	17	16
–	VOVR	VDONE	VADD	VDSCR	VDMA	–	–
15	14	13	12	11	10	9	8
–	UOVR	UDONE	UADD	UDSCR	UDMA	–	–
7	6	5	4	3	2	1	0
–	OVR	DONE	ADD	DSCR	DMA	–	–

DMA: End of DMA Transfer Interrupt Disable

0: No effect

1: Interrupt source is disabled

DSCR: Descriptor Loaded Interrupt Disable

0: No effect

1: Interrupt source is disabled

ADD: Head Descriptor Loaded Interrupt Disable

0: No effect

1: Interrupt source is disabled

DONE: End of List Interrupt Disable

0: No effect

1: Interrupt source is disabled

OVR: Overflow Interrupt Disable

0: No effect

1: Interrupt source is disabled

UDMA: End of DMA Transfer for U or UV Chrominance Component Interrupt Disable

0: No effect

1: Interrupt source is disabled

UDSCR: Descriptor Loaded for U or UV Chrominance Component Interrupt Disable

0: No effect

1: Interrupt source is disabled

UADD: Head Descriptor Loaded for U or UV Chrominance Component Interrupt Disable

0: No effect

1: Interrupt source is disabled

UDONE: End of List Interrupt for U or UV Chrominance Component Disable

0: No effect

1: Interrupt source is disabled

SAMA5D3 SERIES

UOVR: Overflow Interrupt for U or UV Chrominance Component Disable

0: No effect

1: Interrupt source is disabled

VDMA: End of DMA Transfer for V Chrominance Component Interrupt Disable

0: No effect

1: Interrupt source is disabled

VDSCR: Descriptor Loaded for V Chrominance Component Interrupt Disable

0: No effect

1: Interrupt source is disabled

VADD: Head Descriptor Loaded for V Chrominance Component Interrupt Disable

0: No effect

1: Interrupt source is disabled

VDONE: End of List for V Chrominance Component Interrupt Disable

0: No effect

1: Interrupt source is disabled

VOVR: Overflow for V Chrominance Component Interrupt Disable

0: No effect

1: Interrupt source is disabled

32.7.81 High End Overlay Interrupt Mask Register

Name: LCDC_HEOIMR

Address: 0xF0030354

Access: Read-only

31	30	29	28	27	26	25	24
–	–	–	–	–	–	–	–
23	22	21	20	19	18	17	16
–	VOVR	VDONE	VADD	VDSCR	VDMA	–	–
15	14	13	12	11	10	9	8
–	UOVR	UDONE	UADD	UDSCR	UDMA	–	–
7	6	5	4	3	2	1	0
–	OVR	DONE	ADD	DSCR	DMA	–	–

DMA: End of DMA Transfer Interrupt Mask

0: Interrupt source is disabled

1: Interrupt source is enabled

DSCR: Descriptor Loaded Interrupt Mask

0: Interrupt source is disabled

1: Interrupt source is enabled

ADD: Head Descriptor Loaded Interrupt Mask

0: Interrupt source is disabled

1: Interrupt source is enabled

DONE: End of List Interrupt Mask

0: Interrupt source is disabled

1: Interrupt source is enabled

OVR: Overflow Interrupt Mask

0: Interrupt source is disabled

1: Interrupt source is enabled

UDMA: End of DMA Transfer for U or UV Chrominance Component Interrupt Mask

0: Interrupt source is disabled

1: Interrupt source is enabled

UDSCR: Descriptor Loaded for U or UV Chrominance Component Interrupt Mask

0: Interrupt source is disabled

1: Interrupt source is enabled

UADD: Head Descriptor Loaded for U or UV Chrominance Component Mask

0: Interrupt source is disabled

1: Interrupt source is enabled

UDONE: End of List for U or UV Chrominance Component Mask

0: Interrupt source is disabled

1: Interrupt source is enabled

SAMA5D3 SERIES

UOVR: Overflow for U Chrominance Interrupt Mask

0: Interrupt source is disabled

1: Interrupt source is enabled

VDMA: End of DMA Transfer for V Chrominance Component Interrupt Mask

0: Interrupt source is disabled

1: Interrupt source is enabled

VDSCR: Descriptor Loaded for V Chrominance Component Interrupt Mask

0: Interrupt source is disabled

1: Interrupt source is enabled

VADD: Head Descriptor Loaded for V Chrominance Component Mask

0: Interrupt source is disabled

1: Interrupt source is enabled

VDONE: End of List for V Chrominance Component Mask

0: Interrupt source is disabled

1: Interrupt source is enabled

VOVR: Overflow for V Chrominance Interrupt Mask

0: Interrupt source is disabled

1: Interrupt source is enabled

32.7.82 High End Overlay Interrupt Status Register

Name: LCDC_HEOISR

Address: 0xF0030358

Access: Read-only

31	30	29	28	27	26	25	24
–	–	–	–	–	–	–	–
23	22	21	20	19	18	17	16
–	VOVR	VDONE	VADD	VDSCR	VDMA	–	–
15	14	13	12	11	10	9	8
–	UOVR	UDONE	UADD	UDSCR	UDMA	–	–
7	6	5	4	3	2	1	0
–	OVR	DONE	ADD	DSCR	DMA	–	–

DMA: End of DMA Transfer

0: No end of transfer has been detected since last read of LCDC_HEOISR

1: End of Transfer has been detected. This flag is reset after a read operation.

DSCR: DMA Descriptor Loaded

0: No descriptor has been loaded since last read of LCDC_HEOISR

1: A descriptor has been loaded successfully. This flag is reset after a read operation.

ADD: Head Descriptor Loaded

0: No descriptor has been loaded since last read of LCDC_HEOISR

1: The descriptor pointed to by the LCDC_HEOHEAD register has been loaded successfully. This flag is reset after a read operation.

DONE: End of List Detected

0: No End of List condition occurred since last read of LCDC_HEOISR

1: End of List condition has occurred. This flag is reset after a read operation.

OVR: Overflow Detected

0: No overflow occurred since last read of LCDC_HEOISR

1: An overflow occurred. This flag is reset after a read operation.

UDMA: End of DMA Transfer for U Component

0: No End of Transfer has been detected since last read of LCDC_HEOISR

1: End of Transfer has been detected. This flag is reset after a read operation.

UDSCR: DMA Descriptor Loaded for U Component

0: No descriptor has been loaded since last read of LCDC_HEOISR

1: A descriptor has been loaded successfully. This flag is reset after a read operation.

UADD: Head Descriptor Loaded for U Component

0: No descriptor has been loaded since last read of LCDC_HEOISR

1: The descriptor pointed to by the LCDC_HEOUHEAD register has been loaded successfully. This flag is reset after a read operation.

UDONE: End of List Detected for U Component

0: No End of List condition occurred since last read of LCDC_HEOISR

1: End of List condition has occurred. This flag is reset after a read operation.

SAMA5D3 SERIES

UOVR: Overflow Detected for U Component

0: No overflow occurred since last read of LCDC_HEOISR

1: An overflow occurred. This flag is reset after a read operation.

VDMA: End of DMA Transfer for V Component

0: No End of Transfer has been detected since last read of LCDC_HEOISR

1: End of Transfer has been detected. This flag is reset after a read operation.

VDSCR: DMA Descriptor Loaded for V Component

0: No descriptor has been loaded since last read of LCDC_HEOISR

1: A descriptor has been loaded successfully. This flag is reset after a read operation.

VADD: Head Descriptor Loaded for V Component

0: No descriptor has been loaded since last read of LCDC_HEOISR

1: The descriptor pointed to by the LCDC_HEOVHEAD register has been loaded successfully. This flag is reset after a read operation.

VDONE: End of List Detected for V Component

0: No End of List condition occurred since last read of LCDC_HEOISR

1: End of List condition has occurred. This flag is reset after a read operation.

VOVR: Overflow Detected for V Component

0: No overflow occurred since last read of LCDC_HEOISR

1: An overflow occurred. This flag is reset after a read operation.

32.7.83 High End Overlay DMA Head Register

Name: LCDC_HEOHEAD

Address: 0xF003035C

Access: Read/Write

31	30	29	28	27	26	25	24
HEAD							
23	22	21	20	19	18	17	16
HEAD							
15	14	13	12	11	10	9	8
HEAD							
7	6	5	4	3	2	1	0
HEAD						-	-

HEAD: DMA Head Pointer

The Head Pointer points to a new descriptor.

SAMA5D3 SERIES

32.7.84 High End Overlay DMA Address Register

Name: LCDC_HEOADDR

Address: 0xF0030360

Access: Read/Write

31	30	29	28	27	26	25	24
ADDR							
23	22	21	20	19	18	17	16
ADDR							
15	14	13	12	11	10	9	8
ADDR							
7	6	5	4	3	2	1	0
ADDR							

ADDR: DMA Transfer Start Address

Frame Buffer Base Address.

32.7.85 High End Overlay DMA Control Register

Name: LCDC_HEOCTRL

Address: 0xF0030364

Access: Read/Write

31	30	29	28	27	26	25	24
–	–	–	–	–	–	–	–
23	22	21	20	19	18	17	16
–	–	–	–	–	–	–	–
15	14	13	12	11	10	9	8
–	–	–	–	–	–	–	–
7	6	5	4	3	2	1	0
–	–	DONEIEN	ADDIEN	DSCRIEN	DMAIEN	LFETCH	DFETCH

DFETCH: Transfer Descriptor Fetch Enable

0: Transfer Descriptor fetch is disabled.

1: Transfer Descriptor fetch is enabled.

LFETCH: Lookup Table Fetch Enable

0: Lookup Table DMA fetch is disabled.

1: Lookup Table DMA fetch is enabled.

DMAIEN: End of DMA Transfer Interrupt Enable

0: DMA transfer completed interrupt is enabled.

1: DMA transfer completed interrupt is disabled.

DSCRIEN: Descriptor Loaded Interrupt Enable

0: Transfer descriptor loaded interrupt is enabled.

1: Transfer descriptor loaded interrupt is disabled.

ADDIEN: Add Head Descriptor to Queue Interrupt Enable

0: Transfer descriptor added to queue interrupt is enabled.

1: Transfer descriptor added to queue interrupt is disabled.

DONEIEN: End of List Interrupt Enable

0: End of list interrupt is disabled.

1: End of list interrupt is enabled.

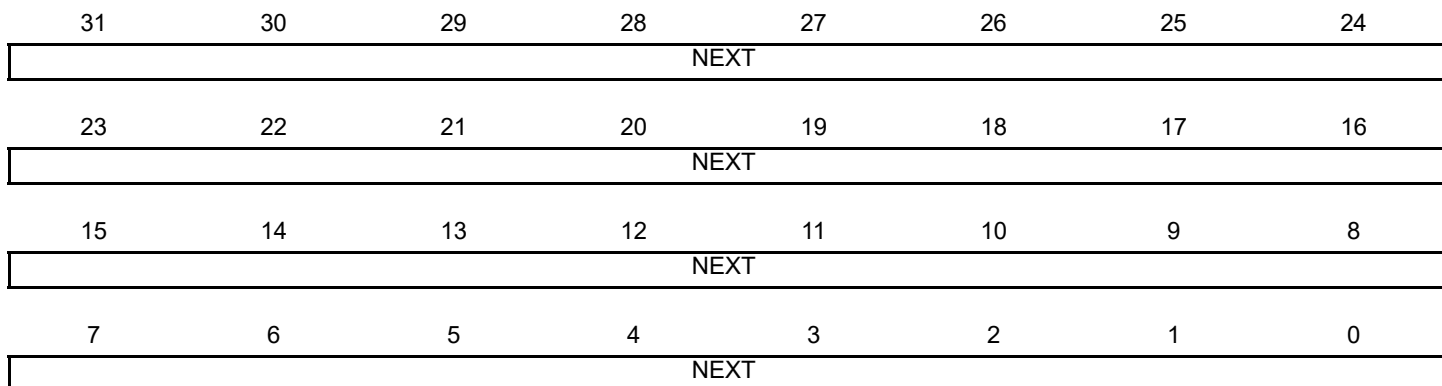
SAMA5D3 SERIES

32.7.86 High End Overlay DMA Next Register

Name: LCDC_HEONEXT

Address: 0xF0030368

Access: Read/Write



NEXT: DMA Descriptor Next Address

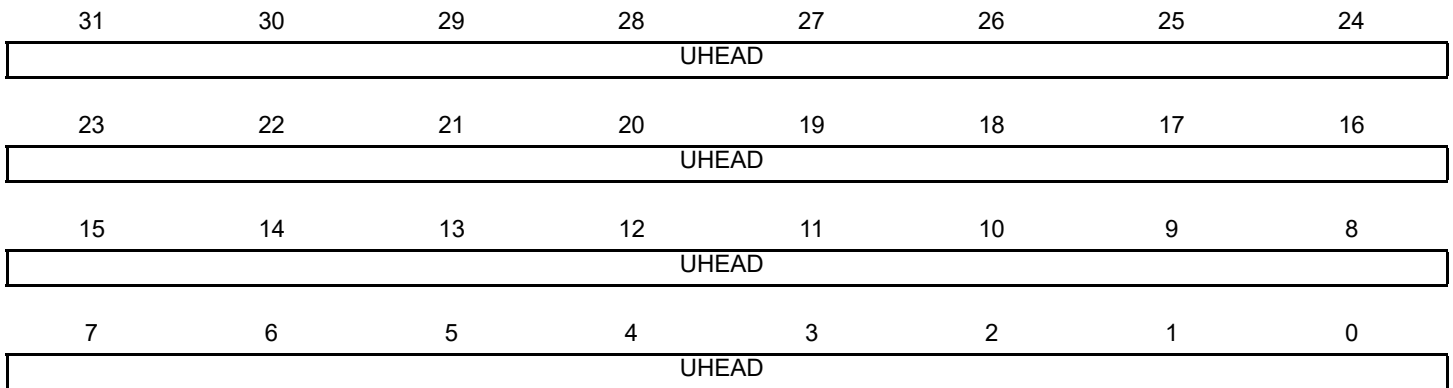
The transfer descriptor address must be aligned on a 64-bit boundary.

32.7.87 High End Overlay U-UV DMA Head Register

Name: LCDC_HEOUHEAD

Address: 0xF003036C

Access: Read/Write



UHEAD: DMA Head Pointer

The Head Pointer points to a new descriptor.

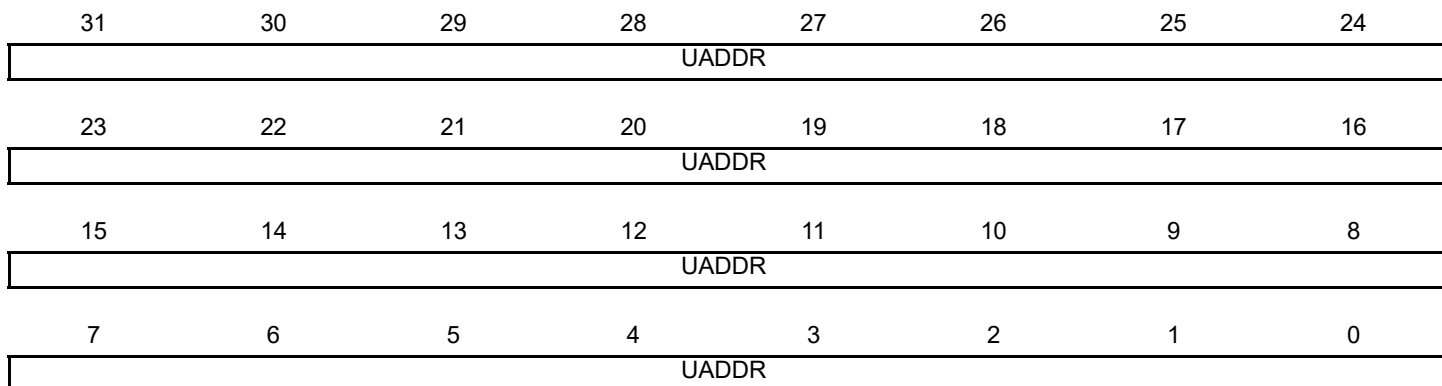
SAMA5D3 SERIES

32.7.88 High End Overlay U-UV DMA Address Register

Name: LCDC_HEOUADDR

Address: 0xF0030370

Access: Read/Write



UADDR: DMA Transfer Start Address for U or UV Chrominance

U or UV frame buffer address.

32.7.89 High End Overlay U-UV DMA Control Register

Name: LCDC_HEOUCTRL

Address: 0xF0030374

Access: Read/Write

31	30	29	28	27	26	25	24
–	–	–	–	–	–	–	–
23	22	21	20	19	18	17	16
–	–	–	–	–	–	–	–
15	14	13	12	11	10	9	8
–	–	–	–	–	–	–	–
7	6	5	4	3	2	1	0
–	–	UDONEIEN	UADDIEN	UDSCRIEN	UDMAIEN	–	UDFETCH

UDFETCH: Transfer Descriptor Fetch Enable

0: Transfer Descriptor fetch is disabled.

1: Transfer Descriptor fetch is enabled.

UDMAIEN: End of DMA Transfer Interrupt Enable

0: DMA transfer completed interrupt is enabled.

1: DMA transfer completed interrupt is disabled.

UDSCRIEN: Descriptor Loaded Interrupt Enable

0: Transfer descriptor loaded interrupt is enabled.

1: Transfer descriptor loaded interrupt is disabled.

UADDIEN: Add Head Descriptor to Queue Interrupt Enable

0: Transfer descriptor added to queue interrupt is enabled.

1: Transfer descriptor added to queue interrupt is disabled.

UDONEIEN: End of List Interrupt Enable

0: End of list interrupt is disabled.

1: End of list interrupt is enabled.

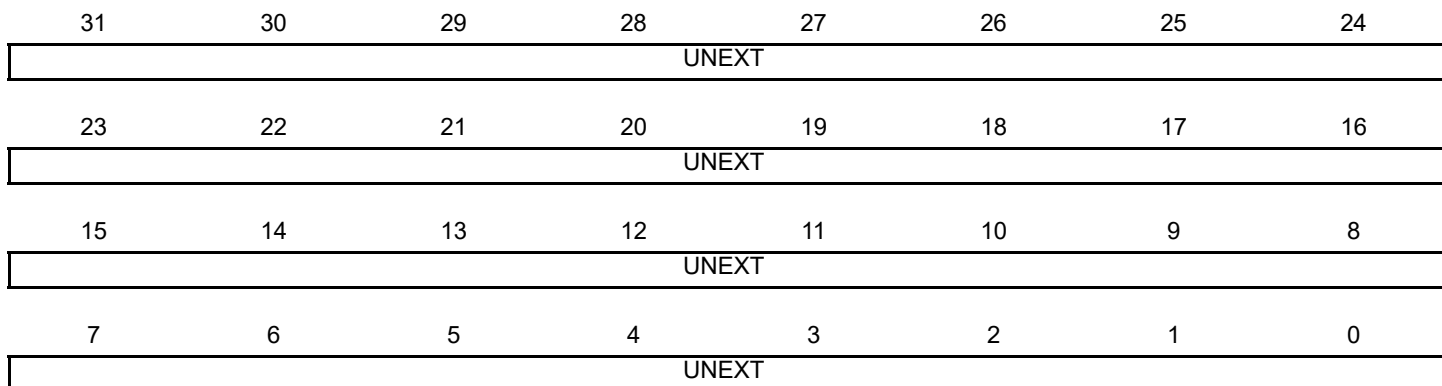
SAMA5D3 SERIES

32.7.90 High End Overlay U-UV DMA Next Register

Name: LCDC_HEOUNEXT

Address: 0xF0030378

Access: Read/Write



UNEXT: DMA Descriptor Next Address

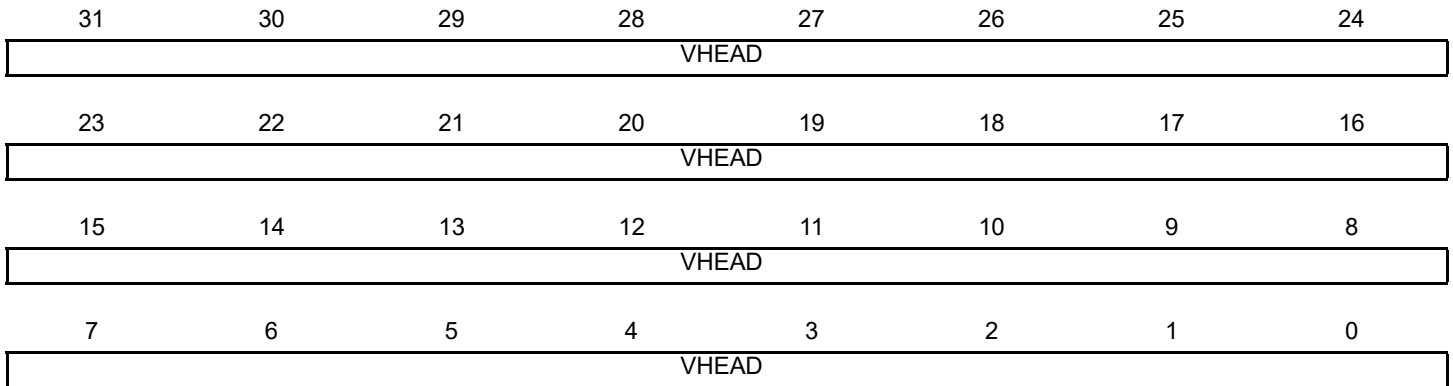
The transfer descriptor address must be aligned on a 64-bit boundary.

32.7.91 High End Overlay V DMA Head Register

Name: LCDC_HEOVHEAD

Address: 0xF003037C

Access: Read/Write



VHEAD: DMA Head Pointer

The Head Pointer points to a new descriptor.

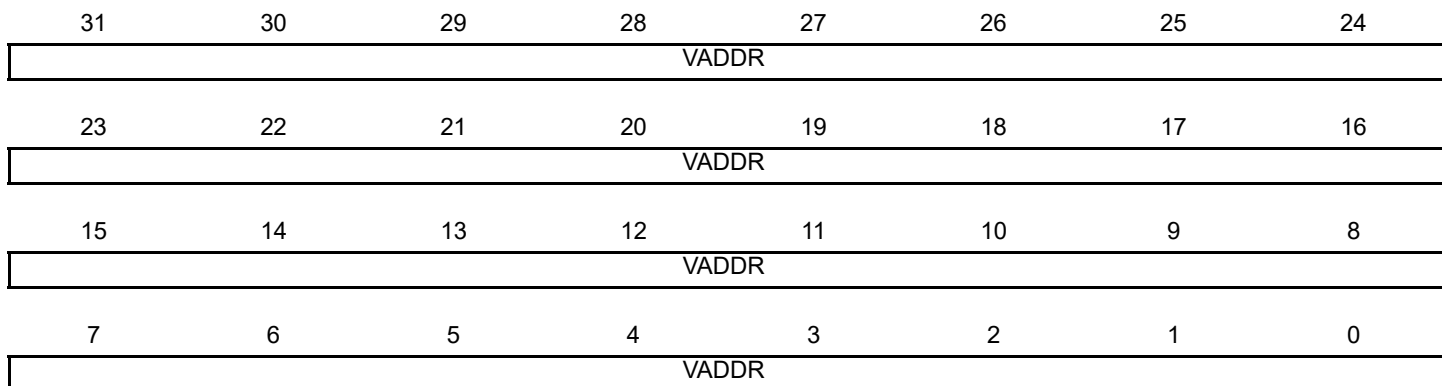
SAMA5D3 SERIES

32.7.92 High End Overlay V DMA Address Register

Name: LCDC_HEOVADDR

Address: 0xF0030380

Access: Read/Write



VADDR: DMA Transfer Start Address for V Chrominance

Frame Buffer Base Address.

32.7.93 High End Overlay V DMA Control Register

Name: LCDC_HEOVCTRL

Address: 0xF0030384

Access: Read/Write

31	30	29	28	27	26	25	24
–	–	–	–	–	–	–	–
23	22	21	20	19	18	17	16
–	–	–	–	–	–	–	–
15	14	13	12	11	10	9	8
–	–	–	–	–	–	–	–
7	6	5	4	3	2	1	0
–	–	VNONEIEN	VADDIEN	VDSCRIEN	VDMAIEN	–	VDFETCH

VDFETCH: Transfer Descriptor Fetch Enable

0: Transfer Descriptor fetch is disabled.

1: Transfer Descriptor fetch is enabled.

VDMAIEN: End of DMA Transfer Interrupt Enable

0: DMA transfer completed interrupt is enabled.

1: DMA transfer completed interrupt is disabled.

VDSCRIEN: Descriptor Loaded Interrupt Enable

0: Transfer descriptor loaded interrupt is enabled.

1: Transfer descriptor loaded interrupt is disabled.

VADDIEN: Add Head Descriptor to Queue Interrupt Enable

0: Transfer descriptor added to queue interrupt is enabled.

1: Transfer descriptor added to queue interrupt is disabled.

VNONEIEN: End of List Interrupt Enable

0: End of list interrupt is disabled.

1: End of list interrupt is enabled.

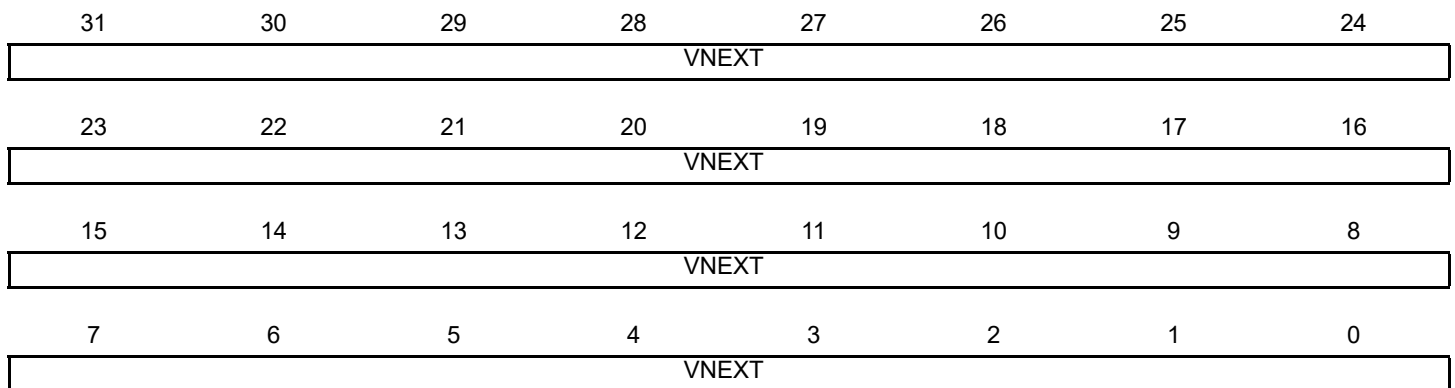
SAMA5D3 SERIES

32.7.94 High End Overlay V DMA Next Register

Name: LCDC_HEOVNEXT

Address: 0xF0030388

Access: Read/Write



VNEXT: DMA Descriptor Next Address

The transfer descriptor address must be aligned on a 64-bit boundary.

32.7.95 High End Overlay Configuration Register 0

Name: LCDC_HEOCFG0

Address: 0xF003038C

Access: Read/Write

31	30	29	28	27	26	25	24
–	–	–	–	–	–	–	–
23	22	21	20	19	18	17	16
–	–	–	–	–	–	–	–
15	14	13	12	11	10	9	8
–	–	LOCKDIS	ROTDIS	–	–	–	DLBO
7	6	5	4	3	2	1	0
BLENUV		BLEN		–	–	–	SIF

SIF: Source Interface

0: Base Layer data is retrieved through AHB interface 0.

1: Base Layer data is retrieved through AHB interface 1.

BLEN: AHB Burst Length

Value	Name	Description
0	AHB_BLEN_SINGLE	AHB Access is started as soon as there is enough space in the FIFO to store one data. SINGLE, INCR, INCR4, INCR8 and INCR16 bursts are used. INCR is used for a burst of 2 and 3 beats.
1	AHB_BLEN_INCR4	AHB Access is started as soon as there is enough space in the FIFO to store a total amount of 4 data. An AHB INCR4 Burst is used. SINGLE, INCR and INCR4 bursts are used. INCR is used for a burst of 2 and 3 beats.
2	AHB_BLEN_INCR8	AHB Access is started as soon as there is enough space in the FIFO to store a total amount of 8 data. An AHB INCR8 Burst is used. SINGLE, INCR, INCR4 and INCR8 bursts are used. INCR is used for a burst of 2 and 3 beats.
3	AHB_BLEN_INCR16	AHB Access is started as soon as there is enough space in the FIFO to store a total amount of 16 data. An AHB INCR16 Burst is used. SINGLE, INCR, INCR4, INCR8 and INCR16 bursts are used. INCR is used for a burst of 2 and 3 beats.

BLENUV: AHB Burst Length for U-V Channel

Value	Name	Description
0	AHB_SINGLE	AHB Access is started as soon as there is enough space in the FIFO to store one data. SINGLE, INCR, INCR4, INCR8 and INCR16 bursts are used. INCR is used for a burst of 2 and 3 beats.
1	AHB_INCR4	AHB Access is started as soon as there is enough space in the FIFO to store a total amount of 4 data. An AHB INCR4 Burst is used. SINGLE, INCR and INCR4 bursts are used. INCR is used for a burst of 2 and 3 beats.
2	AHB_INCR8	AHB Access is started as soon as there is enough space in the FIFO to store a total amount of 8 data. An AHB INCR8 Burst is used. SINGLE, INCR, INCR4 and INCR8 bursts are used. INCR is used for a burst of 2 and 3 beats.
3	AHB_INCR16	AHB Access is started as soon as there is enough space in the FIFO to store a total amount of 16 data. An AHB INCR16 Burst is used. SINGLE, INCR, INCR4, INCR8 and INCR16 bursts are used. INCR is used for a burst of 2 and 3 beats.

SAMA5D3 SERIES

DLBO: Defined Length Burst Only For Channel Bus Transaction

- 0: Undefined length INCR burst is used for a burst of 2 and 3 beats.
- 1: Only Defined Length burst is used (SINGLE, INCR4, INCR8 and INCR16).

ROTDIS: Hardware Rotation Optimization Disable

- 0: Rotation optimization is enabled.
- 1: Rotation optimization is disabled.

LOCKDIS: Hardware Rotation Lock Disable

- 0: AHB lock signal is asserted when a rotation is performed.
- 1: AHB lock signal is cleared when a rotation is performed.

32.7.96 High End Overlay Configuration Register 1

Name: LCDC_HEOFCG1

Address: 0xF0030390

Access: Read/Write

31	30	29	28	27	26	25	24
–	–	–	–	–	–	–	–
23	22	21	20	19	18	17	16
–	–	–	DSCALEOPT	–	–	YUV422SWP	YUV422ROT
15	14	13	12	11	10	9	8
YUVMODE				–	–	CLUTMODE	
7	6	5	4	3	2	1	0
RGBMODE				–	–	YUVEN	CLUTEN

CLUTEN: Color Lookup Table Mode Enable

0: RGB mode is selected.

1: Color Lookup Table mode is selected.

YUVEN: YUV Color Space Enable

0: Color space is RGB

1: Color Space is YUV

RGBMODE: RGB Mode Input Selection

Value	Name	Description
0	12BPP_RGB_444	12 bpp RGB 444
1	16BPP_ARGB_4444	16 bpp ARGB 4444
2	16BPP_RGBA_4444	16 bpp RGBA 4444
3	16BPP_RGB_565	16 bpp RGB 565
4	16BPP_TRGB_1555	16 bpp TRGB 1555
5	18BPP_RGB_666	18 bpp RGB 666
6	18BPP_RGB_666PACKED	18 bpp RGB 666 PACKED
7	19BPP_TRGB_1666	19 bpp TRGB 1666
8	19BPP_TRGB_PACKED	19 bpp TRGB 1666 PACKED
9	24BPP_RGB_888	24 bpp RGB 888
10	24BPP_RGB_888_PACKED	24 bpp RGB 888 PACKED
11	25BPP_TRGB_1888	25 bpp TRGB 1888
12	32BPP_ARGB_8888	32 bpp ARGB 8888
13	32BPP_RGBA_8888	32 bpp RGBA 8888

SAMA5D3 SERIES

CLUTMODE: Color Lookup Table Mode Input Selection

Value	Name	Description
0	CLUT_1BPP	Color Lookup Table mode set to 1 bit per pixel
1	CLUT_2BPP	Color Lookup Table mode set to 2 bits per pixel
2	CLUT_4BPP	Color Lookup Table mode set to 4 bits per pixel
3	CLUT_8BPP	Color Lookup Table mode set to 8 bits per pixel

YUVMODE: YUV Mode Input Selection

Value	Name	Description
0	32BPP_AYCBCR	32 bpp AYCbCr 444
1	16BPP_YCBCR_MODE0	16 bpp Cr(n)Y(n+1)Cb(n)Y(n) 422
2	16BPP_YCBCR_MODE1	16 bpp Y(n+1)Cr(n)Y(n)Cb(n) 422
3	16BPP_YCBCR_MODE2	16 bpp Cb(n)Y(+1)Cr(n)Y(n) 422
4	16BPP_YCBCR_MODE3	16 bpp Y(n+1)Cb(n)Y(n)Cr(n) 422
5	16BPP_YCBCR_SEMIPLANAR	16 bpp Semiplanar 422 YCbCr
6	16BPP_YCBCR_PLANAR	16 bpp Planar 422 YCbCr
7	12BPP_YCBCR_SEMIPLANAR	12 bpp Semiplanar 420 YCbCr
8	12BPP_YCBCR_PLANAR	12 bpp Planar 420 YCbCr

YUV422ROT: YUV 4:2:2 Rotation

0: Chroma Upsampling kernel is configured to use 0 and 180 degrees algorithm

1: Indicates that the Chroma Upsampling kernel is configured to use the 4:2:2 Rotation Algorithm. This bit is relevant only when a rotation angle of 90 degrees or 270 degrees is used.

YUV422SWP: YUV 4:2:2 Swap

0: The two Y components of the YUV 4:2:2 packed data stream are not swapped.

1: The two Y components of the YUV 4:2:2 packed data stream are swapped.

DSCALEOPT: Down Scaling Bandwidth Optimization

0: Scaler Optimization is disabled.

1: Scaler Optimization is enabled, only relevant pixels are retrieved from memory to fill the scaler filter.

32.7.97 High End Overlay Configuration Register 2

Name: LCDC_HEOCFG2

Address: 0xF0030394

Access: Read/Write

31	30	29	28	27	26	25	24
-	-	-	-	-	YPOS		
23	22	21	20	19	18	17	16
YPOS							
15	14	13	12	11	10	9	8
-	-	-	-	-	XPOS		
7	6	5	4	3	2	1	0
XPOS							

XPOS: Horizontal Window Position

High End Overlay Horizontal window position.

YPOS: Vertical Window Position

High End Overlay Vertical window position.

SAMA5D3 SERIES

32.7.98 High End Overlay Configuration Register 3

Name: LCDC_HEOCFG3

Address: 0xF0030398

Access: Read/Write

31	30	29	28	27	26	25	24
–	–	–	–	–	YSIZE		
23	22	21	20	19	18	17	16
YSIZE							
15	14	13	12	11	10	9	8
–	–	–	–	–	XSIZE		
7	6	5	4	3	2	1	0
XSIZE							

XSIZE: Horizontal Window Size

High End Overlay window width in pixels. The window width is set to (XSIZE + 1).

The following constraint must be met: $XPOS + XSIZE \leq PPL$

YSIZE: Vertical Window Size

High End Overlay window height in pixels. The window height is set to (YSIZE + 1).

The following constraint must be met: $YPOS + YSIZE \leq RPF$

32.7.99 High End Overlay Configuration Register 4

Name: LCDC_HEOCFG4

Address: 0xF003039C

Access: Read/Write

31	30	29	28	27	26	25	24
-	-	-	-	-	YMEMSIZE		
23	22	21	20	19	18	17	16
YMEMSIZE							
15	14	13	12	11	10	9	8
-	-	-	-	-	XMEMSIZE		
7	6	5	4	3	2	1	0
XMEMSIZE							

XMEMSIZE: Horizontal image Size in Memory

High End Overlay image width in pixels. The image width is set to (XMEMSIZE + 1).

YMEMSIZE: Vertical image Size in Memory

High End Overlay image height in pixels. The image height is set to (YMEMSIZE + 1).

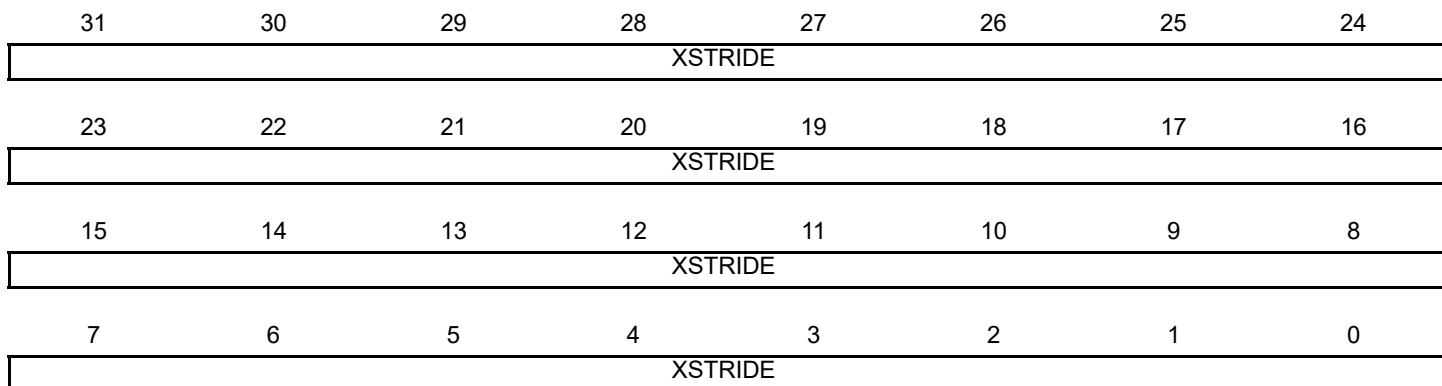
SAMA5D3 SERIES

32.7.100 High End Overlay Configuration Register 5

Name: LCDC_HEOCFG5

Address: 0xF00303A0

Access: Read/Write



XSTRIDE: Horizontal Stride

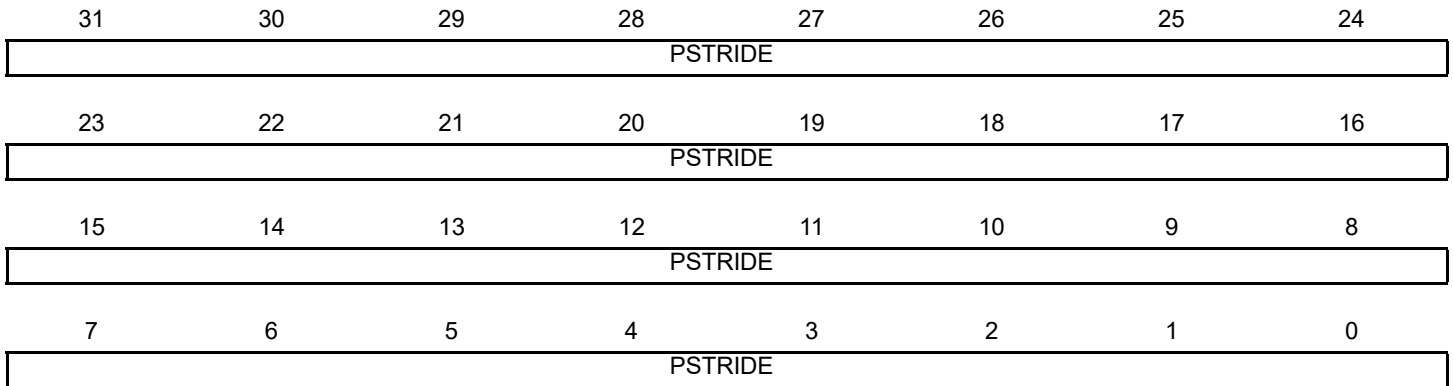
XSTRIDE represents the memory offset, in bytes, between two rows of the image memory.

32.7.101 High End Overlay Configuration Register 6

Name: LCDC_HEOCFG6

Address: 0xF00303A4

Access: Read/Write



PSTRIDE: Pixel Stride

PSTRIDE represents the memory offset, in bytes, between two pixels of the image memory.

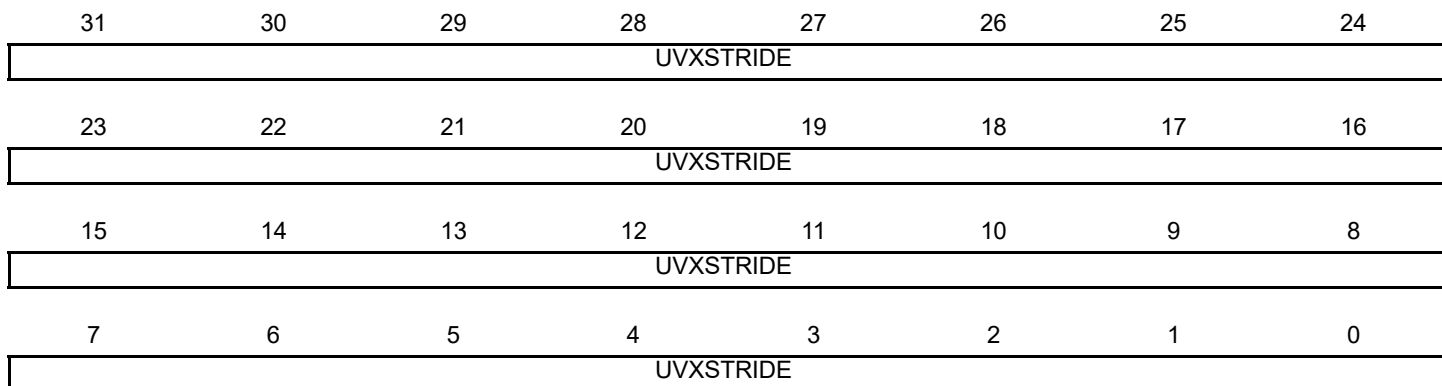
SAMA5D3 SERIES

32.7.102 High End Overlay Configuration Register 7

Name: LCDC_HEOCFG7

Address: 0xF00303A8

Access: Read/Write



UVXSTRIDE: UV Horizontal Stride

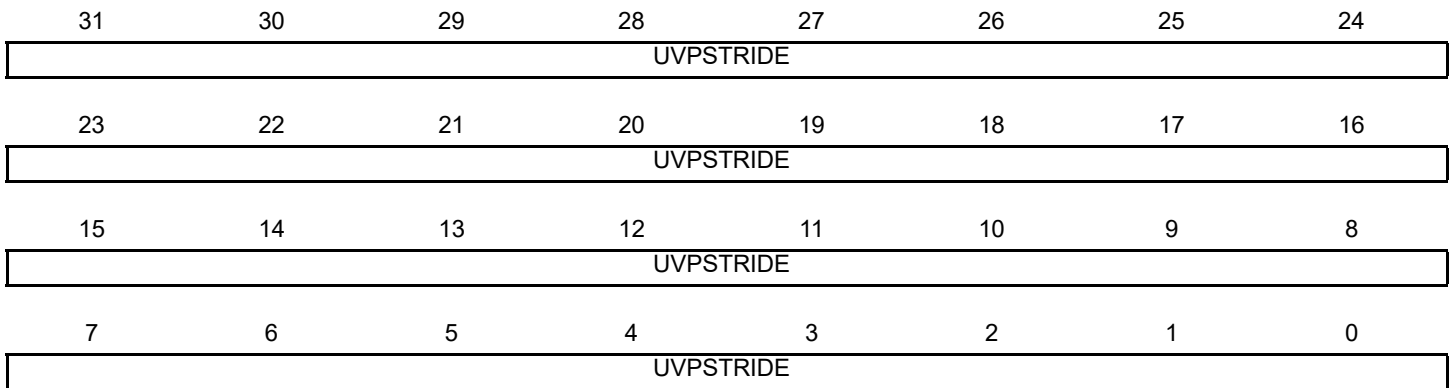
UVXSTRIDE represents the memory offset, in bytes, between two rows of the image memory.

32.7.103 High End Overlay Configuration Register 8

Name: LCDC_HEOCFG8

Address: 0xF00303AC

Access: Read/Write



UVPSTRIDE: UV Pixel Stride

UVPSTRIDE represents the memory offset, in bytes, between two pixels of the image memory.

SAMA5D3 SERIES

32.7.104 High End Overlay Configuration Register 9

Name: LCDC_HEOCFG9

Address: 0xF00303B0

Access: Read/Write

31	30	29	28	27	26	25	24
–	–	–	–	–	–	–	–
23	22	21	20	19	18	17	16
RDEF							
15	14	13	12	11	10	9	8
GDEF							
7	6	5	4	3	2	1	0
BDEF							

RDEF: Red Default

Default Red color when the High End Overlay DMA channel is disabled.

GDEF: Green Default

Default Green color when the High End Overlay DMA channel is disabled.

BDEF: Blue Default

Default Blue color when the High End Overlay DMA channel is disabled.

32.7.105 High End Overlay Configuration Register 10

Name: LCDC_HEOCFG10

Address: 0xF00303B4

Access: Read/Write

31	30	29	28	27	26	25	24
–	–	–	–	–	–	–	–
23	22	21	20	19	18	17	16
RKEY							
15	14	13	12	11	10	9	8
GKEY							
7	6	5	4	3	2	1	0
BKEY							

RKEY: Red Color Component Chroma Key

Reference Red chroma key used to match the Red color of the current overlay.

GKEY: Green Color Component Chroma Key

Reference Green chroma key used to match the Green color of the current overlay.

BKEY: Blue Color Component Chroma Key

Reference Blue chroma key used to match the Blue color of the current overlay.

SAMA5D3 SERIES

32.7.106 High End Overlay Configuration Register 11

Name: LCDC_HEOCFG11

Address: 0xF00303B8

Access: Read/Write

31	30	29	28	27	26	25	24
–	–	–	–	–	–	–	–
23	22	21	20	19	18	17	16
RMask							
15	14	13	12	11	10	9	8
GMask							
7	6	5	4	3	2	1	0
BMask							

RMask: Red Color Component Chroma Key Mask

Red Mask used when the compare function is used. If a bit is set then this bit is compared.

GMask: Green Color Component Chroma Key Mask

Green Mask used when the compare function is used. If a bit is set then this bit is compared.

BMask: Blue Color Component Chroma Key Mask

Blue Mask used when the compare function is used. If a bit is set then this bit is compared.

32.7.107 High End Overlay Configuration Register 12

Name: LCDDC_HEOCFG12

Address: 0xF00303BC

Access: Read/Write

31	30	29	28	27	26	25	24
–	–	–	–	–	–	–	–
23	22	21	20	19	18	17	16
GA							
15	14	13	12	11	10	9	8
–	–	–	VIDPRI	–	DSTKEY	REP	DMA
7	6	5	4	3	2	1	0
OVR	LAEN	GAEN	REVALPHA	ITER	ITER2BL	INV	CRKEY

CRKEY: Blender Chroma Key Enable

- 0: Chroma key matching is disabled.
- 1: Chroma key matching is enabled.

INV: Blender Inverted Blender Output Enable

- 0: Iterated pixel is the blended pixel.
- 1: Iterated pixel is the inverted pixel.

ITER2BL: Blender Iterated Color Enable

- 0: Final adder stage operand is set to 0.
- 1: Final adder stage operand is set to the iterated pixel value.

ITER: Blender Use Iterated Color

- 0: Pixel difference is set to 0.
- 1: Pixel difference is set to the iterated pixel value.

REVALPHA: Blender Reverse Alpha

- 0: Pixel difference is multiplied by alpha.
- 1: Pixel difference is multiplied by 1 - alpha.

GAEN: Blender Global Alpha Enable

- 0: Global alpha blending coefficient is disabled.
- 1: Global alpha blending coefficient is enabled.

LAEN: Blender Local Alpha Enable

- 0: Local alpha blending coefficient is disabled.
- 1: Local alpha blending coefficient is enabled.

OVR: Blender Overlay Layer Enable

- 0: Overlay pixel color is set to the default overlay pixel color.
- 1: Overlay pixel color is set to the DMA channel pixel color.

DMA: Blender DMA Layer Enable

- 0: The default color is used on the Overlay 1 Layer.
- 1: The DMA channel retrieves the pixels stream from the memory.

SAMA5D3 SERIES

REP: Use Replication logic to expand RGB color to 24 bits

0: When the selected pixel depth is less than 24 bpp the pixel is shifted and least significant bits are set to 0.

1: When the selected pixel depth is less than 24 bpp the pixel is shifted and the least significant bit replicates the msb.

DSTKEY: Destination Chroma Keying

0: Source Chroma keying is enabled.

1: Destination Chroma keying is used.

VIDPRI: Video Priority

0: OVR1 layer is above HEO layer.

1: OVR1 layer is below HEO layer.

GA: Blender Global Alpha

Global alpha blender for the current layer.

32.7.108 High End Overlay Configuration Register 13

Name: LCDDC_HEOCFG13

Address: 0xF00303C0

Access: Read/Write

31	30	29	28	27	26	25	24
SCALEN	-	YFACTOR					
23	22	21	20	19	18	17	16
YFACTOR							
15	14	13	12	11	10	9	8
-	-	XFACTOR					
7	6	5	4	3	2	1	0
XFACTOR							

SCALEN: Hardware Scaler Enable

0: Scaler is disabled

1: Scaler is enabled.

YFACTOR: Vertical Scaling Factor

Scaler Vertical Factor.

XFACTOR: Horizontal Scaling Factor

Scaler Horizontal Factor.

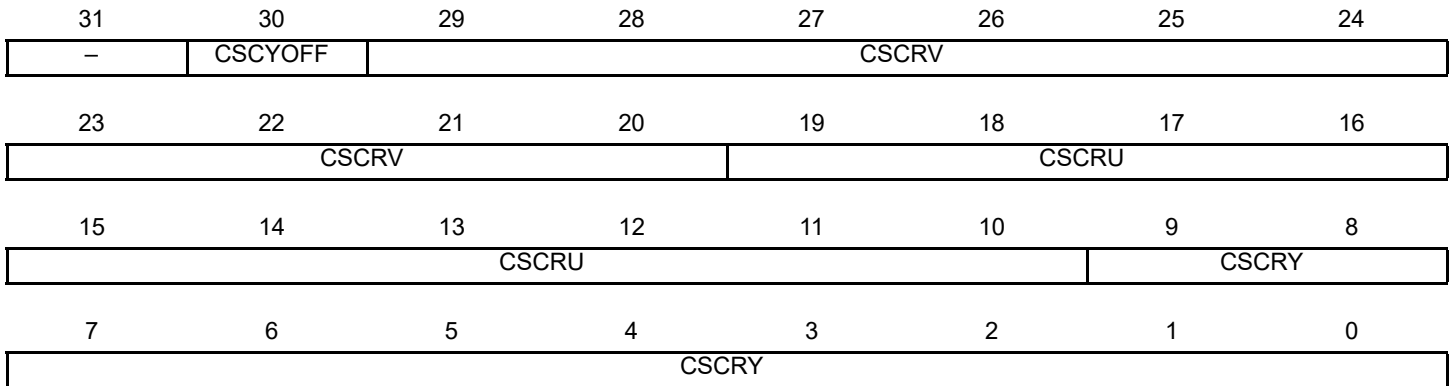
SAMA5D3 SERIES

32.7.109 High End Overlay Configuration Register 14

Name: LCDDC_HEOCFG14

Address: 0xF00303C4

Access: Read/Write



CSCRY: Color Space Conversion Y coefficient for Red Component 1:2:7 format

Color Space Conversion coefficient format is 1 sign bit, 2 magnitude bits and 7 fractional bits.

CSCRU: Color Space Conversion U coefficient for Red Component 1:2:7 format

Color Space Conversion coefficient format is 1 sign bit, 2 magnitude bits and 7 fractional bits.

CSCRV: Color Space Conversion V coefficient for Red Component 1:2:7 format

Color Space Conversion coefficient format is 1 sign bit, 2 magnitude bits and 7 fractional bits.

CSCYOFF: Color Space Conversion Offset

0: Offset is set to 0

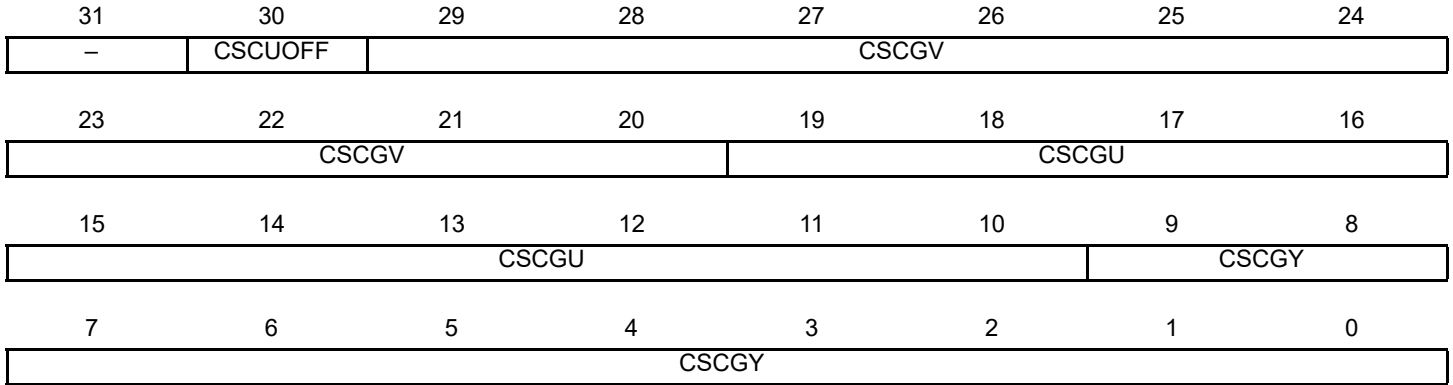
1: Offset is set to 16

32.7.110 High End Overlay Configuration Register 15

Name: LCDC_HEOCFG15

Address: 0xF00303C8

Access: Read/Write



CSCGY: Color Space Conversion Y coefficient for Green Component 1:2:7 format

Color Space Conversion coefficient format is 1 sign bit, 2 magnitude bits and 7 fractional bits.

CSCGU: Color Space Conversion U coefficient for Green Component 1:2:7 format

Color Space Conversion coefficient format is 1 sign bit, 2 magnitude bits and 7 fractional bits.

CSCGV: Color Space Conversion V coefficient for Green Component 1:2:7 format

Color Space Conversion coefficient format is 1 sign bit, 2 magnitude bits and 7 fractional bits.

CSCUOFF: Color Space Conversion Offset

0: Offset is set to 0

1: Offset is set to 128

SAMA5D3 SERIES

32.7.111 High End Overlay Configuration Register 16

Name: LCDDC_HEOCFG16

Address: 0xF00303CC

Access: Read/Write

31	30	29	28	27	26	25	24
–	CSCVOFF	CSCBV					
23	22	21	20	19	18	17	16
CSCBV				CSCBU			
15	14	13	12	11	10	9	8
CSCBU						CSCBY	
7	6	5	4	3	2	1	0
CSCBY							

CSCBY: Color Space Conversion Y coefficient for Blue Component 1:2:7 format

Color Space Conversion coefficient format is 1 sign bit, 2 magnitude bits and 7 fractional bits.

CSCBU: Color Space Conversion U coefficient for Blue Component 1:2:7 format

Color Space Conversion coefficient format is 1 sign bit, 2 magnitude bits and 7 fractional bits.

CSCBV: Color Space Conversion V coefficient for Blue Component 1:2:7 format

Color Space Conversion coefficient format is 1 sign bit, 2 magnitude bits and 7 fractional bits.

CSCVOFF: Color Space Conversion Offset

0: Offset is set to 0

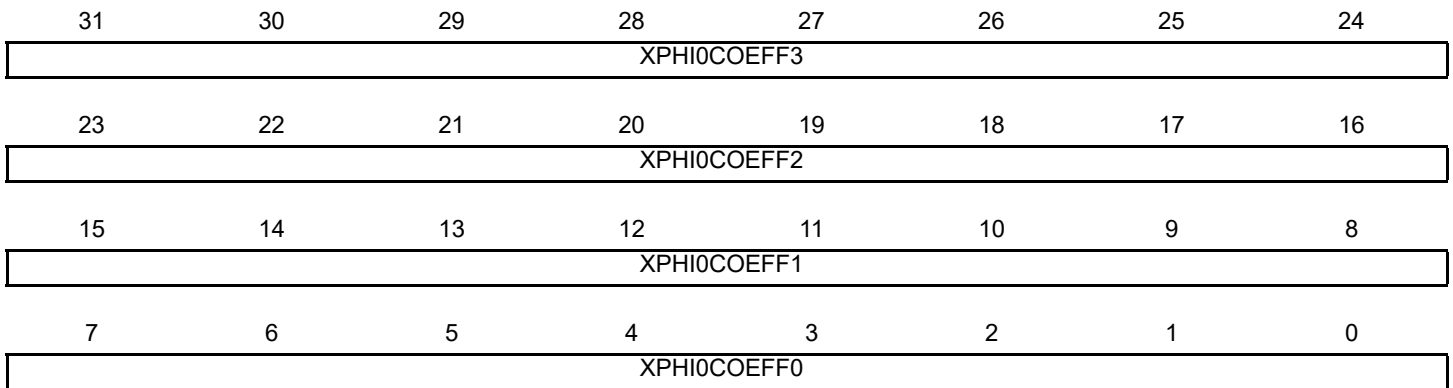
1: Offset is set to 128

32.7.112 High End Overlay Configuration Register 17

Name: LCDDC_HEOCFG17

Address: 0xF00303D0

Access: Read/Write



XPHI0COEFF0: Horizontal Coefficient for phase 0 tap 0

Coefficient format is 1 sign bit and 7 fractional bits.

XPHI0COEFF1: Horizontal Coefficient for phase 0 tap 1

Coefficient format is 1 sign bit and 7 fractional bits.

XPHI0COEFF2: Horizontal Coefficient for phase 0 tap 2

Coefficient format is 1 magnitude bit and 7 fractional bits.

XPHI0COEFF3: Horizontal Coefficient for phase 0 tap 3

Coefficient format is 1 sign bit and 7 fractional bits.

SAMA5D3 SERIES

32.7.113 High End Overlay Configuration Register 18

Name: LCDC_HEOCFG18

Address: 0xF00303D4

Access: Read/Write

31	30	29	28	27	26	25	24
–	–	–	–	–	–	–	–
23	22	21	20	19	18	17	16
–	–	–	–	–	–	–	–
15	14	13	12	11	10	9	8
–	–	–	–	–	–	–	–
7	6	5	4	3	2	1	0
XPHI0COEFF4							

XPHI0COEFF4: Horizontal Coefficient for phase 0 tap 4

Coefficient format is 1 sign bit and 7 fractional bits.

32.7.114 High End Overlay Configuration Register 19

Name: LCDC_HEOCFG19

Address: 0xF00303D8

Access: Read/Write

31	30	29	28	27	26	25	24
XPHI1COEFF3							
23	22	21	20	19	18	17	16
XPHI1COEFF2							
15	14	13	12	11	10	9	8
XPHI1COEFF1							
7	6	5	4	3	2	1	0
XPHI1COEFF0							

XPHI1COEFF0: Horizontal Coefficient for phase 1 tap 0

Coefficient format is 1 sign bit and 7 fractional bits.

XPHI1COEFF1: Horizontal Coefficient for phase 1 tap 1

Coefficient format is 1 sign bit and 7 fractional bits.

XPHI1COEFF2: Horizontal Coefficient for phase 1 tap 2

Coefficient format is 1 magnitude bit and 7 fractional bits.

XPHI1COEFF3: Horizontal Coefficient for phase 1 tap 3

Coefficient format is 1 sign bit and 7 fractional bits.

SAMA5D3 SERIES

32.7.115 High End Overlay Configuration Register 20

Name: LCDC_HEOCFG20

Address: 0xF00303DC

Access: Read/Write

31	30	29	28	27	26	25	24
–	–	–	–	–	–	–	–
23	22	21	20	19	18	17	16
–	–	–	–	–	–	–	–
15	14	13	12	11	10	9	8
–	–	–	–	–	–	–	–
7	6	5	4	3	2	1	0
XPHI1COEFF4							

XPHI1COEFF4: Horizontal Coefficient for phase 1 tap 4

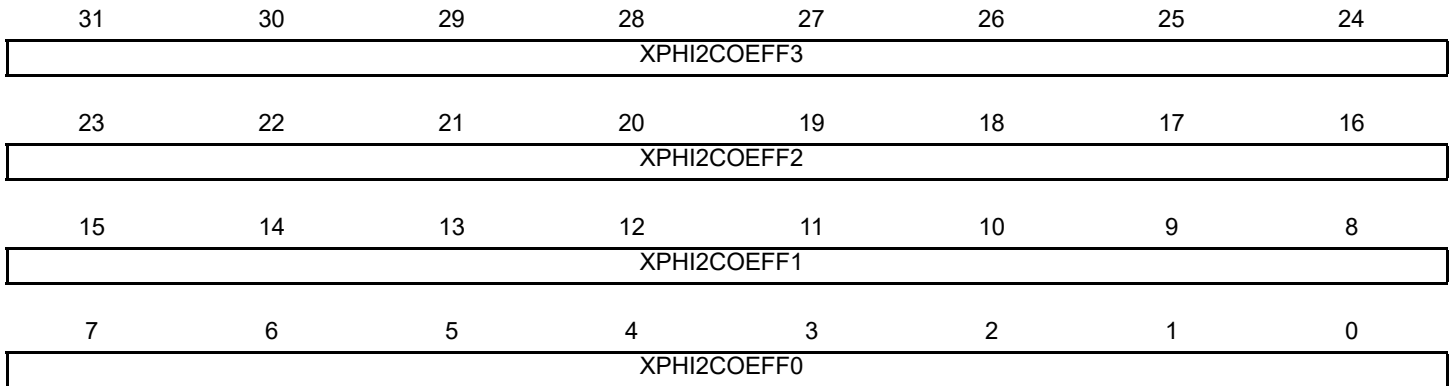
Coefficient format is 1 sign bit and 7 fractional bits.

32.7.116 High End Overlay Configuration Register 21

Name: LCDC_HEOCFG21

Address: 0xF00303E0

Access: Read/Write



XPHI2COEFF0: Horizontal Coefficient for phase 2 tap 0

Coefficient format is 1 sign bit and 7 fractional bits.

XPHI2COEFF1: Horizontal Coefficient for phase 2 tap 1

Coefficient format is 1 sign bit and 7 fractional bits.

XPHI2COEFF2: Horizontal Coefficient for phase 2 tap 2

Coefficient format is 1 magnitude bit and 7 fractional bits.

XPHI2COEFF3: Horizontal Coefficient for phase 2 tap 3

Coefficient format is 1 sign bit and 7 fractional bits.

SAMA5D3 SERIES

32.7.117 High End Overlay Configuration Register 22

Name: LCDC_HEOCFG22

Address: 0xF00303E4

Access: Read/Write

31	30	29	28	27	26	25	24
–	–	–	–	–	–	–	–
23	22	21	20	19	18	17	16
–	–	–	–	–	–	–	–
15	14	13	12	11	10	9	8
–	–	–	–	–	–	–	–
7	6	5	4	3	2	1	0
XPHI2COEFF4							

XPHI2COEFF4: Horizontal Coefficient for phase 2 tap 4

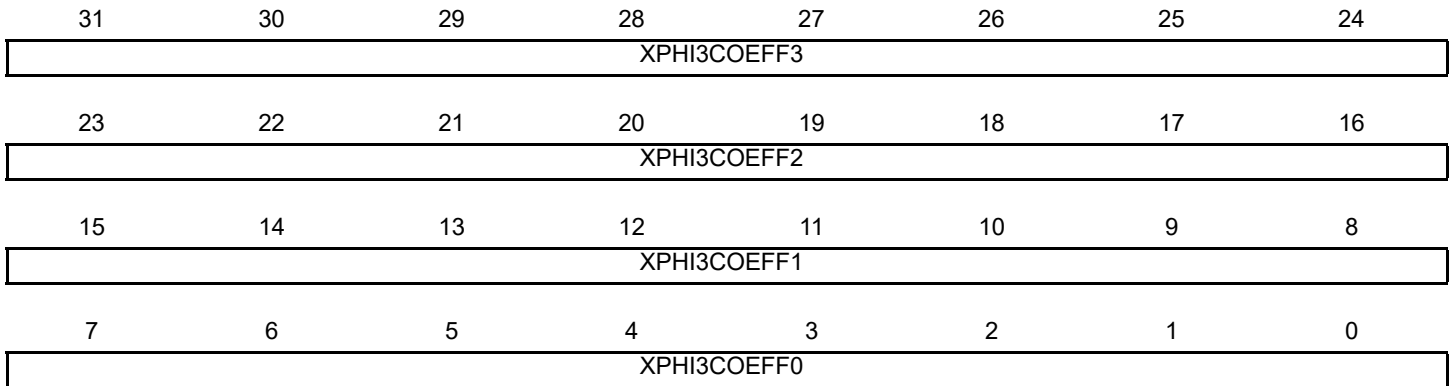
Coefficient format is 1 sign bit and 7 fractional bits.

32.7.118 High End Overlay Configuration Register 23

Name: LCDC_HEOCFG23

Address: 0xF00303E8

Access: Read/Write



XPHI3COEFF0: Horizontal Coefficient for phase 3 tap 0

Coefficient format is 1 sign bit and 7 fractional bits.

XPHI3COEFF1: Horizontal Coefficient for phase 3 tap 1

Coefficient format is 1 sign bit and 7 fractional bits.

XPHI3COEFF2: Horizontal Coefficient for phase 3 tap 2

Coefficient format is 1 magnitude bit and 7 fractional bits.

XPHI3COEFF3: Horizontal Coefficient for phase 3 tap 3

Coefficient format is 1 sign bit and 7 fractional bits.

SAMA5D3 SERIES

32.7.119 High End Overlay Configuration Register 24

Name: LCDC_HEOCFG24

Address: 0xF00303EC

Access: Read/Write

31	30	29	28	27	26	25	24
–	–	–	–	–	–	–	–
23	22	21	20	19	18	17	16
–	–	–	–	–	–	–	–
15	14	13	12	11	10	9	8
–	–	–	–	–	–	–	–
7	6	5	4	3	2	1	0
XPHI3COEFF4							

XPHI3COEFF4: Horizontal Coefficient for phase 3 tap 4

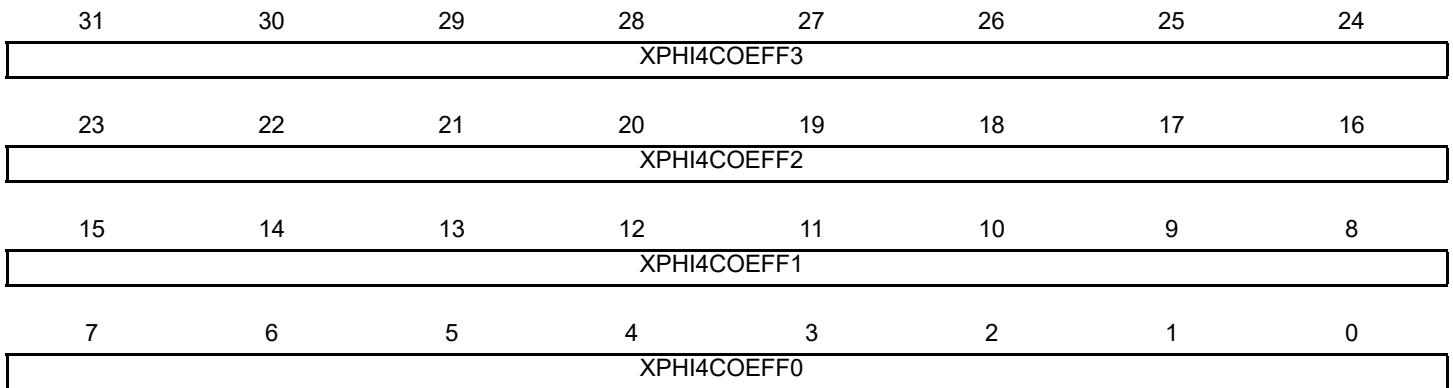
Coefficient format is 1 sign bit and 7 fractional bits.

32.7.120 High End Overlay Configuration Register 25

Name: LCDC_HEOCFG25

Address: 0xF00303F0

Access: Read/Write



XPHI4COEFF0: Horizontal Coefficient for phase 4 tap 0

Coefficient format is 1 sign bit and 7 fractional bits.

XPHI4COEFF1: Horizontal Coefficient for phase 4 tap 1

Coefficient format is 1 sign bit and 7 fractional bits.

XPHI4COEFF2: Horizontal Coefficient for phase 4 tap 2

Coefficient format is 1 magnitude bit and 7 fractional bits.

XPHI4COEFF3: Horizontal Coefficient for phase 4 tap 3

Coefficient format is 1 sign bit and 7 fractional bits.

SAMA5D3 SERIES

32.7.121 High End Overlay Configuration Register 26

Name: LCDC_HEOCFG26

Address: 0xF00303F4

Access: Read/Write

31	30	29	28	27	26	25	24
–	–	–	–	–	–	–	–
23	22	21	20	19	18	17	16
–	–	–	–	–	–	–	–
15	14	13	12	11	10	9	8
–	–	–	–	–	–	–	–
7	6	5	4	3	2	1	0
XPHI4COEFF4							

XPHI4COEFF4: Horizontal Coefficient for phase 4 tap 4

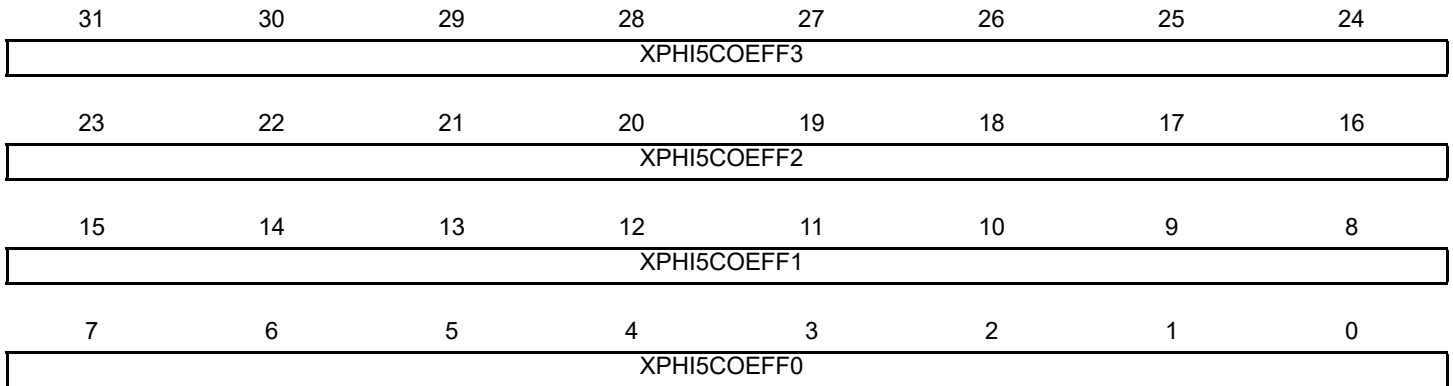
Coefficient format is 1 sign bit and 7 fractional bits.

32.7.122 High End Overlay Configuration Register 27

Name: LCDDC_HEOCFG27

Address: 0xF00303F8

Access: Read/Write



XPHI5COEFF0: Horizontal Coefficient for phase 5 tap 0

Coefficient format is 1 sign bit and 7 fractional bits.

XPHI5COEFF1: Horizontal Coefficient for phase 5 tap 1

Coefficient format is 1 sign bit and 7 fractional bits.

XPHI5COEFF2: Horizontal Coefficient for phase 5 tap 2

Coefficient format is 1 magnitude bit and 7 fractional bits.

XPHI5COEFF3: Horizontal Coefficient for phase 5 tap 3

Coefficient format is 1 sign bit and 7 fractional bits.

SAMA5D3 SERIES

32.7.123 High End Overlay Configuration Register 28

Name: LCDC_HEOCFG28

Address: 0xF00303FC

Access: Read/Write

31	30	29	28	27	26	25	24
–	–	–	–	–	–	–	–
23	22	21	20	19	18	17	16
–	–	–	–	–	–	–	–
15	14	13	12	11	10	9	8
–	–	–	–	–	–	–	–
7	6	5	4	3	2	1	0
XPHI5COEFF4							

XPHI5COEFF4: Horizontal Coefficient for phase 5 tap 4

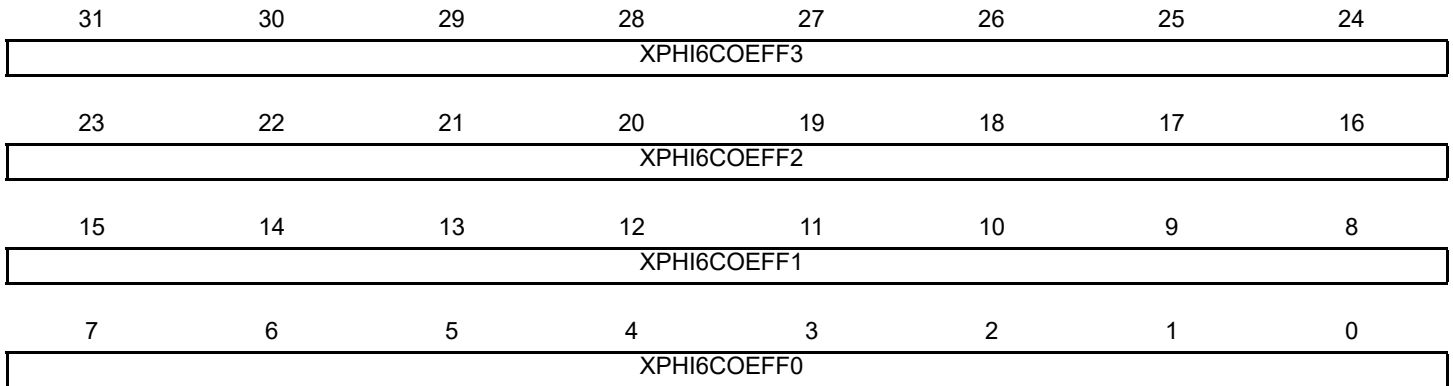
Coefficient format is 1 sign bit and 7 fractional bits.

32.7.124 High End Overlay Configuration Register 29

Name: LCDDC_HEOCFG29

Address: 0xF0030400

Access: Read/Write



XPHI6COEFF0: Horizontal Coefficient for phase 6 tap 0

Coefficient format is 1 sign bit and 7 fractional bits.

XPHI6COEFF1: Horizontal Coefficient for phase 6 tap 1

Coefficient format is 1 sign bit and 7 fractional bits.

XPHI6COEFF2: Horizontal Coefficient for phase 6 tap 2

Coefficient format is 1 magnitude bit and 7 fractional bits.

XPHI6COEFF3: Horizontal Coefficient for phase 6 tap 3

Coefficient format is 1 sign bit and 7 fractional bits.

SAMA5D3 SERIES

32.7.125 High End Overlay Configuration Register 30

Name: LCDC_HEOCFG30

Address: 0xF0030404

Access: Read/Write

31	30	29	28	27	26	25	24
–	–	–	–	–	–	–	–
23	22	21	20	19	18	17	16
–	–	–	–	–	–	–	–
15	14	13	12	11	10	9	8
–	–	–	–	–	–	–	–
7	6	5	4	3	2	1	0
XPHI6COEFF4							

XPHI6COEFF4: Horizontal Coefficient for phase 6 tap 4

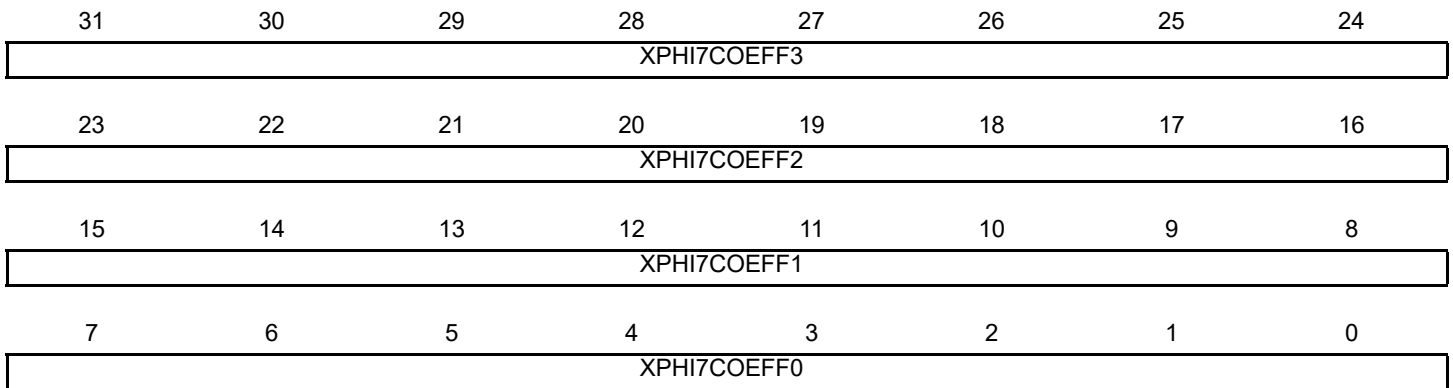
Coefficient format is 1 sign bit and 7 fractional bits.

32.7.126 High End Overlay Configuration Register 31

Name: LCDDC_HEOCFG31

Address: 0xF0030408

Access: Read/Write



XPHI7COEFF0: Horizontal Coefficient for phase 7 tap 0

Coefficient format is 1 sign bit and 7 fractional bits.

XPHI7COEFF1: Horizontal Coefficient for phase 7 tap 1

Coefficient format is 1 sign bit and 7 fractional bits.

XPHI7COEFF2: Horizontal Coefficient for phase 7 tap 2

Coefficient format is 1 magnitude bit and 7 fractional bits.

XPHI7COEFF3: Horizontal Coefficient for phase 7 tap 3

Coefficient format is 1 sign bit and 7 fractional bits.

SAMA5D3 SERIES

32.7.127 High End Overlay Configuration Register 32

Name: LCDC_HEOCFG32

Address: 0xF003040C

Access: Read/Write

31	30	29	28	27	26	25	24
–	–	–	–	–	–	–	–
23	22	21	20	19	18	17	16
–	–	–	–	–	–	–	–
15	14	13	12	11	10	9	8
–	–	–	–	–	–	–	–
7	6	5	4	3	2	1	0
XPHI7COEFF4							

XPHI7COEFF4: Horizontal Coefficient for phase 7 tap 4

Coefficient format is 1 sign bit and 7 fractional bits.

32.7.128 High End Overlay Configuration Register 33

Name: LCDC_HEOCFG33

Address: 0xF0030410

Access: Read/Write

31	30	29	28	27	26	25	24
–	–	–	–	–	–	–	–
23	22	21	20	19	18	17	16
YPHI0COEFF2							
15	14	13	12	11	10	9	8
YPHI0COEFF1							
7	6	5	4	3	2	1	0
YPHI0COEFF0							

YPHI0COEFF0: Vertical Coefficient for phase 0 tap 0

Coefficient format is 1 sign bit and 7 fractional bits.

YPHI0COEFF1: Vertical Coefficient for phase 0 tap 1

Coefficient format is 1 magnitude bit and 7 fractional bits.

YPHI0COEFF2: Vertical Coefficient for phase 0 tap 2

Coefficient format is 1 sign bit and 7 fractional bits.

SAMA5D3 SERIES

32.7.129 High End Overlay Configuration Register 34

Name: LCDC_HEOCFG34

Address: 0xF0030414

Access: Read/Write

31	30	29	28	27	26	25	24
–	–	–	–	–	–	–	–
23	22	21	20	19	18	17	16
YPHI1COEFF2							
15	14	13	12	11	10	9	8
YPHI1COEFF1							
7	6	5	4	3	2	1	0
YPHI1COEFF0							

YPHI1COEFF0: Vertical Coefficient for phase 1 tap 0

Coefficient format is 1 sign bit and 7 fractional bits.

YPHI1COEFF1: Vertical Coefficient for phase 1 tap 1

Coefficient format is 1 magnitude bit and 7 fractional bits.

YPHI1COEFF2: Vertical Coefficient for phase 1 tap 2

Coefficient format is 1 sign bit and 7 fractional bits.

32.7.130 High End Overlay Configuration Register 35

Name: LCDC_HEOCFG35

Address: 0xF0030418

Access: Read/Write

31	30	29	28	27	26	25	24
–	–	–	–	–	–	–	–
23	22	21	20	19	18	17	16
YPHI2COEFF2							
15	14	13	12	11	10	9	8
YPHI2COEFF1							
7	6	5	4	3	2	1	0
YPHI2COEFF0							

YPHI2COEFF0: Vertical Coefficient for phase 2 tap 0

Coefficient format is 1 sign bit and 7 fractional bits.

YPHI2COEFF1: Vertical Coefficient for phase 2 tap 1

Coefficient format is 1 magnitude bit and 7 fractional bits.

YPHI2COEFF2: Vertical Coefficient for phase 2 tap 2

Coefficient format is 1 sign bit and 7 fractional bits.

SAMA5D3 SERIES

32.7.131 High End Overlay Configuration Register 36

Name: LCDC_HEOCFG36

Address: 0xF003041C

Access: Read/Write

31	30	29	28	27	26	25	24
–	–	–	–	–	–	–	–
23	22	21	20	19	18	17	16
YPHI3COEFF2							
15	14	13	12	11	10	9	8
YPHI3COEFF1							
7	6	5	4	3	2	1	0
YPHI3COEFF0							

YPHI3COEFF0: Vertical Coefficient for phase 3 tap 0

Coefficient format is 1 sign bit and 7 fractional bits.

YPHI3COEFF1: Vertical Coefficient for phase 3 tap 1

Coefficient format is 1 magnitude bit and 7 fractional bits.

YPHI3COEFF2: Vertical Coefficient for phase 3 tap 2

Coefficient format is 1 sign bit and 7 fractional bits.

32.7.132 High End Overlay Configuration Register 37

Name: LCDC_HEOCFG37

Address: 0xF0030420

Access: Read/Write

31	30	29	28	27	26	25	24
-	-	-	-	-	-	-	-
23	22	21	20	19	18	17	16
YPHI4COEFF2							
15	14	13	12	11	10	9	8
YPHI4COEFF1							
7	6	5	4	3	2	1	0
YPHI4COEFF0							

YPHI4COEFF0: Vertical Coefficient for phase 4 tap 0

Coefficient format is 1 sign bit and 7 fractional bits.

YPHI4COEFF1: Vertical Coefficient for phase 4 tap 1

Coefficient format is 1 magnitude bit and 7 fractional bits.

YPHI4COEFF2: Vertical Coefficient for phase 4 tap 2

Coefficient format is 1 sign bit and 7 fractional bits.

SAMA5D3 SERIES

32.7.133 High End Overlay Configuration Register 38

Name: LCDC_HEOCFG38

Address: 0xF0030424

Access: Read/Write

31	30	29	28	27	26	25	24
–	–	–	–	–	–	–	–
23	22	21	20	19	18	17	16
YPHI5COEFF2							
15	14	13	12	11	10	9	8
YPHI5COEFF1							
7	6	5	4	3	2	1	0
YPHI5COEFF0							

YPHI5COEFF0: Vertical Coefficient for phase 5 tap 0

Coefficient format is 1 sign bit and 7 fractional bits.

YPHI5COEFF1: Vertical Coefficient for phase 5 tap 1

Coefficient format is 1 magnitude bit and 7 fractional bits.

YPHI5COEFF2: Vertical Coefficient for phase 5 tap 2

Coefficient format is 1 sign bit and 7 fractional bits.

32.7.134 High End Overlay Configuration Register 39

Name: LCDC_HEOCFG39

Address: 0xF0030428

Access: Read/Write

31	30	29	28	27	26	25	24
–	–	–	–	–	–	–	–
23	22	21	20	19	18	17	16
YPHI6COEFF2							
15	14	13	12	11	10	9	8
YPHI6COEFF1							
7	6	5	4	3	2	1	0
YPHI6COEFF0							

YPHI6COEFF0: Vertical Coefficient for phase 6 tap 0

Coefficient format is 1 sign bit and 7 fractional bits.

YPHI6COEFF1: Vertical Coefficient for phase 6 tap 1

Coefficient format is 1 magnitude bit and 7 fractional bits.

YPHI6COEFF2: Vertical Coefficient for phase 6 tap 2

Coefficient format is 1 sign bit and 7 fractional bits.

SAMA5D3 SERIES

32.7.135 High End Overlay Configuration Register 40

Name: LCDC_HEOCFG40

Address: 0xF003042C

Access: Read/Write

31	30	29	28	27	26	25	24
–	–	–	–	–	–	–	–
23	22	21	20	19	18	17	16
YPHI7COEFF2							
15	14	13	12	11	10	9	8
YPHI7COEFF1							
7	6	5	4	3	2	1	0
YPHI7COEFF0							

YPHI7COEFF0: Vertical Coefficient for phase 7 tap 0

Coefficient format is 1 sign bit and 7 fractional bits.

YPHI7COEFF1: Vertical Coefficient for phase 7 tap 1

Coefficient format is 1 magnitude bit and 7 fractional bits.

YPHI7COEFF2: Vertical Coefficient for phase 7 tap 2

Coefficient format is 1 sign bit and 7 fractional bits.

32.7.136 High End Overlay Configuration Register 41

Name: LCDC_HEOCFG41

Address: 0xF0030430

Access: Read/Write

31	30	29	28	27	26	25	24
–	–	–	–	–	–	–	–
23	22	21	20	19	18	17	16
–	–	–	–	–	YPHIDEF		
15	14	13	12	11	10	9	8
–	–	–	–	–	–	–	–
7	6	5	4	3	2	1	0
–	–	–	–	–	XPHIDEF		

XPHIDEF: Horizontal Filter Phase Offset

XPHIDEF defines the index of the first coefficient set used when the horizontal resampling operation is started.

YPHIDEF: Vertical Filter Phase Offset

YPHIDEF defines the index of the first coefficient set used when the vertical resampling operation is started.

SAMA5D3 SERIES

32.7.137 Hardware Cursor Channel Enable Register

Name: LCDDC_HCRCHER

Address: 0xF0030440

Access: Write-only

31	30	29	28	27	26	25	24
–	–	–	–	–	–	–	–
23	22	21	20	19	18	17	16
–	–	–	–	–	–	–	–
15	14	13	12	11	10	9	8
–	–	–	–	–	–	–	–
7	6	5	4	3	2	1	0
–	–	–	–	–	A2QEN	UPDATEEN	CHEN

CHEN: Channel Enable

0: No effect

1: Enables the DMA channel

UPDATEEN: Update Overlay Attributes Enable

0: No effect

1: Updates windows attributes on the next start of frame

A2QEN: Add To Queue Enable

0: No effect

1: Indicates that a valid descriptor has been written to memory, its memory location should be written to the DMA head pointer. The A2QSR status bit is set to one, and it is reset by hardware as soon as the descriptor pointed to by the DMA head pointer is added to the list.

32.7.138 Hardware Cursor Channel Disable Register

Name: LCDC_HCRCHDR

Address: 0xF0030444

Access: Write-only

31	30	29	28	27	26	25	24
–	–	–	–	–	–	–	–
23	22	21	20	19	18	17	16
–	–	–	–	–	–	–	–
15	14	13	12	11	10	9	8
–	–	–	–	–	–	–	CHRST
7	6	5	4	3	2	1	0
–	–	–	–	–	–	–	CHDIS

CHDIS: Channel Disable

0: No effect

1: Disables the layer at the end of the current frame. The frame is completed.

CHRST: Channel Reset

0: No effect

1: Resets the layer immediately. The frame is aborted.

SAMA5D3 SERIES

32.7.139 Hardware Cursor Channel Status Register

Name: LCDDC_HCRCHSR

Address: 0xF0030448

Access: Read-only

31	30	29	28	27	26	25	24
–	–	–	–	–	–	–	–
23	22	21	20	19	18	17	16
–	–	–	–	–	–	–	–
15	14	13	12	11	10	9	8
–	–	–	–	–	–	–	–
7	6	5	4	3	2	1	0
–	–	–	–	–	A2QSR	UPDATESR	CHSR

CHSR: Channel Status

0: Layer disabled

1: Layer enabled

UPDATESR: Update Overlay Attributes In Progress Status

0: No update pending

1: Overlay attributes will be updated on the next frame

A2QSR: Add To Queue Status

0: Add to queue not pending

1: Add to queue pending

32.7.140 Hardware Cursor Interrupt Enable Register

Name: LCDC_HCRIER

Address: 0xF003044C

Access: Write-only

31	30	29	28	27	26	25	24
–	–	–	–	–	–	–	–
23	22	21	20	19	18	17	16
–	–	–	–	–	–	–	–
15	14	13	12	11	10	9	8
–	–	–	–	–	–	–	–
7	6	5	4	3	2	1	0
–	OVR	DONE	ADD	DSCR	DMA	–	–

DMA: End of DMA Transfer Interrupt Enable

0: No effect

1: Interrupt source is enabled

DSCR: Descriptor Loaded Interrupt Enable

0: No effect

1: Interrupt source is enabled

ADD: Head Descriptor Loaded Interrupt Enable

0: No effect

1: Interrupt source is enabled

DONE: End of List Interrupt Enable

0: No effect

1: Interrupt source is enabled

OVR: Overflow Interrupt Enable

0: No effect

1: Interrupt source is enabled

SAMA5D3 SERIES

32.7.141 Hardware Cursor Interrupt Disable Register

Name: LCDC_HCRIDR

Address: 0xF0030450

Access: Write-only

31	30	29	28	27	26	25	24
–	–	–	–	–	–	–	–
23	22	21	20	19	18	17	16
–	–	–	–	–	–	–	–
15	14	13	12	11	10	9	8
–	–	–	–	–	–	–	–
7	6	5	4	3	2	1	0
–	OVR	DONE	ADD	DSCR	DMA	–	–

DMA: End of DMA Transfer Interrupt Disable

0: No effect

1: Interrupt source is disabled

DSCR: Descriptor Loaded Interrupt Disable

0: No effect

1: Interrupt source is disabled

ADD: Head Descriptor Loaded Interrupt Disable

0: No effect

1: Interrupt source is disabled

DONE: End of List Interrupt Disable

0: No effect

1: Interrupt source is disabled

OVR: Overflow Interrupt Disable

0: No effect

1: Interrupt source is disabled

32.7.142 Hardware Cursor Interrupt Mask Register

Name: LCDC_HCRIMR

Address: 0xF0030454

Access: Read-only

31	30	29	28	27	26	25	24
–	–	–	–	–	–	–	–
23	22	21	20	19	18	17	16
–	–	–	–	–	–	–	–
15	14	13	12	11	10	9	8
–	–	–	–	–	–	–	–
7	6	5	4	3	2	1	0
–	OVR	DONE	ADD	DSCR	DMA	–	–

DMA: End of DMA Transfer Interrupt Mask

0: Interrupt source is disabled

1: Interrupt source is enabled

DSCR: Descriptor Loaded Interrupt Mask

0: Interrupt source is disabled

1: Interrupt source is enabled

ADD: Head Descriptor Loaded Interrupt Mask

0: Interrupt source is disabled

1: Interrupt source is enabled

DONE: End of List Interrupt Mask

0: Interrupt source is disabled

1: Interrupt source is enabled

OVR: Overflow Interrupt Mask

0: Interrupt source is disabled

1: Interrupt source is enabled

SAMA5D3 SERIES

32.7.143 Hardware Cursor Interrupt Status Register

Name: LCDC_HCRISR

Address: 0xF0030458

Access: Read-only

31	30	29	28	27	26	25	24
–	–	–	–	–	–	–	–
23	22	21	20	19	18	17	16
–	–	–	–	–	–	–	–
15	14	13	12	11	10	9	8
–	–	–	–	–	–	–	–
7	6	5	4	3	2	1	0
–	OVR	DONE	ADD	DSCR	DMA	–	–

DMA: End of DMA Transfer

0: No End of Transfer has been detected since last read of LCDC_HCRISR

1: End of Transfer has been detected. This flag is reset after a read operation.

DSCR: DMA Descriptor Loaded

0: No descriptor has been loaded since last read of LCDC_HCRISR

1: A descriptor has been loaded successfully. This flag is reset after a read operation.

ADD: Head Descriptor Loaded

0: No descriptor has been loaded since last read of LCDC_HCRISR

1: The descriptor pointed to by the LCDC_HCRHEAD register has been loaded successfully. This flag is reset after a read operation.

DONE: End of List Detected

0: No End of List condition occurred since last read of LCDC_HCRISR

1: End of List condition has occurred. This flag is reset after a read operation.

OVR: Overflow Detected

0: No overflow occurred since last read of LCDC_HCRISR

1: An overflow occurred. This flag is reset after a read operation.

32.7.144 Hardware Cursor Head Register

Name: LCDC_HCRHEAD

Address: 0xF003045C

Access: Read/Write

31	30	29	28	27	26	25	24
HEAD							
23	22	21	20	19	18	17	16
HEAD							
15	14	13	12	11	10	9	8
HEAD							
7	6	5	4	3	2	1	0
HEAD						-	-

HEAD: DMA Head Pointer

The Head Pointer points to a new descriptor.

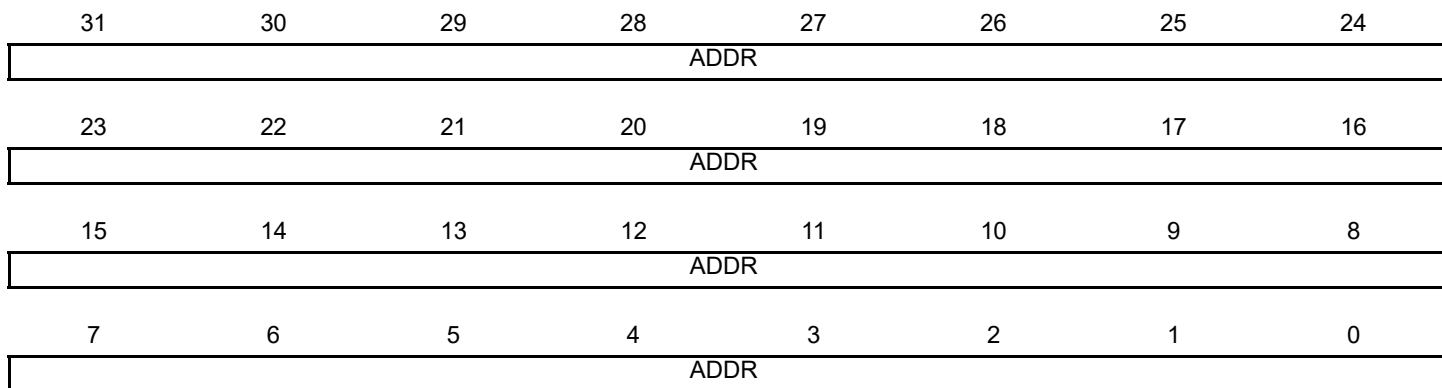
SAMA5D3 SERIES

32.7.145 Hardware Cursor Address Register

Name: LCDC_HCRADDR

Address: 0xF0030460

Access: Read/Write



ADDR: DMA Transfer Start Address

Frame buffer start address.

32.7.146 Hardware Cursor Control Register

Name: LCDC_HCRCTRL

Address: 0xF0030464

Access: Read/Write

31	30	29	28	27	26	25	24
–	–	–	–	–	–	–	–
23	22	21	20	19	18	17	16
–	–	–	–	–	–	–	–
15	14	13	12	11	10	9	8
–	–	–	–	–	–	–	–
7	6	5	4	3	2	1	0
–	–	DONEIEN	ADDIEN	DSCRIEN	DMAIEN	LFETCH	DFETCH

DFETCH: Transfer Descriptor Fetch Enable

0: Transfer Descriptor fetch is disabled.

1: Transfer Descriptor fetch is enabled.

LFETCH: Lookup Table Fetch Enable

0: Lookup Table DMA fetch is disabled.

1: Lookup Table DMA fetch is enabled.

DMAIEN: End of DMA Transfer Interrupt Enable

0: DMA transfer completed interrupt is enabled.

1: DMA transfer completed interrupt is disabled.

DSCRIEN: Descriptor Loaded Interrupt Enable

0: Transfer descriptor loaded interrupt is enabled.

1: Transfer descriptor loaded interrupt is disabled.

ADDIEN: Add Head Descriptor to Queue Interrupt Enable

0: Transfer descriptor added to queue interrupt is enabled.

1: Transfer descriptor added to queue interrupt is disabled.

DONEIEN: End of List Interrupt Enable

0: End of list interrupt is disabled.

1: End of list interrupt is enabled.

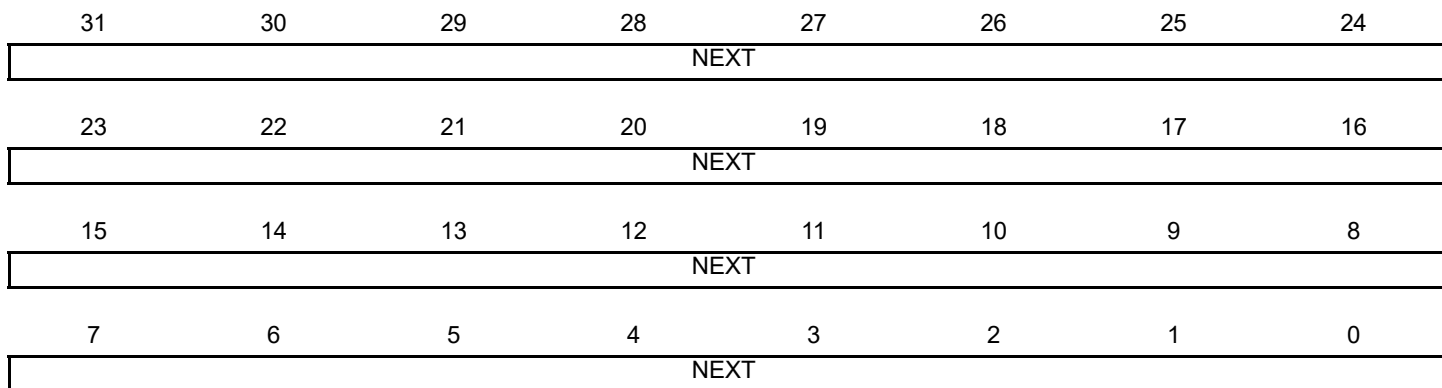
SAMA5D3 SERIES

32.7.147 Hardware Cursor Next Register

Name: LCDC_HCRNEXT

Address: 0xF0030468

Access: Read/Write



NEXT: DMA Descriptor Next Address

The transfer descriptor address must be aligned on a 64-bit boundary.

32.7.148 Hardware Cursor Configuration Register 0

Name: LCDC_HCRCFG0

Address: 0xF003046C

Access: Read/Write

31	30	29	28	27	26	25	24
–	–	–	–	–	–	–	–
23	22	21	20	19	18	17	16
–	–	–	–	–	–	–	–
15	14	13	12	11	10	9	8
–	–	–	–	–	–	–	DLBO
7	6	5	4	3	2	1	0
–	–	BLEN		–	–	–	SIF

SIF: Source Interface

0: Base Layer data is retrieved through AHB interface 0.

1: Base Layer data is retrieved through AHB interface 1.

BLEN: AHB Burst Length

Value	Name	Description
0	AHB_BLEN_SINGLE	AHB Access is started as soon as there is enough space in the FIFO to store one data. SINGLE, INCR, INCR4, INCR8 and INCR16 bursts are used. INCR is used for a burst of 2 and 3 beats.
1	AHB_BLEN_INCR4	AHB Access is started as soon as there is enough space in the FIFO to store a total amount of 4 data. An AHB INCR4 Burst is used. SINGLE, INCR and INCR4 bursts are used. INCR is used for a burst of 2 and 3 beats.
2	AHB_BLEN_INCR8	AHB Access is started as soon as there is enough space in the FIFO to store a total amount of 8 data. An AHB INCR8 Burst is used. SINGLE, INCR, INCR4 and INCR8 bursts are used. INCR is used for a burst of 2 and 3 beats.
3	AHB_BLEN_INCR16	AHB Access is started as soon as there is enough space in the FIFO to store a total amount of 16 data. An AHB INCR16 Burst is used. SINGLE, INCR, INCR4, INCR8 and INCR16 bursts are used. INCR is used for a burst of 2 and 3 beats.

DLBO: Defined Length Burst Only for Channel Bus Transaction

0: Undefined length INCR burst is used for a burst of 2 and 3 beats.

1: Only Defined Length burst is used (SINGLE, INCR4, INCR8 and INCR16).

SAMA5D3 SERIES

32.7.149 Hardware Cursor Configuration Register 1

Name: LCD_C_HCRCFG1

Address: 0xF0030470

Access: Read/Write

31	30	29	28	27	26	25	24
–	–	–	–	–	–	–	–
23	22	21	20	19	18	17	16
–	–	–	–	–	–	–	–
15	14	13	12	11	10	9	8
–						CLUTMODE	
7	6	5	4	3	2	1	0
RGBMODE				–	–	–	CLUTEN

CLUTEN: Color Lookup Table Mode Enable

0: RGB mode is selected.

1: Color Lookup Table mode is selected.

RGBMODE: RGB Mode Input Selection

Value	Name	Description
0	12BPP_RGB_444	12 bpp RGB 444
1	16BPP_ARGB_4444	16 bpp ARGB 4444
2	16BPP_RGBA_4444	16 bpp RGBA 4444
3	16BPP_RGB_565	16 bpp RGB 565
4	16BPP_TRGB_1555	16 bpp TRGB 1555
5	18BPP_RGB_666	18 bpp RGB 666
6	18BPP_RGB_666PACKED	18 bpp RGB 666 PACKED
7	19BPP_TRGB_1666	19 bpp TRGB 1666
8	19BPP_TRGB_PACKED	19 bpp TRGB 1666 PACKED
9	24BPP_RGB_888	24 bpp RGB 888
10	24BPP_RGB_888_PACKED	24 bpp RGB 888 PACKED
11	25BPP_TRGB_1888	25 bpp TRGB 1888
12	32BPP_ARGB_8888	32 bpp ARGB 8888
13	32BPP_RGBA_8888	32 bpp RGBA 8888

CLUTMODE: Color Lookup Table Mode Input Selection

Value	Name	Description
0	CLUT_1BPP	Color Lookup Table mode set to 1 bit per pixel
1	CLUT_2BPP	Color Lookup Table mode set to 2 bits per pixel
2	CLUT_4BPP	Color Lookup Table mode set to 4 bits per pixel
3	CLUT_8BPP	Color Lookup Table mode set to 8 bits per pixel

32.7.150 Hardware Cursor Configuration Register 2

Name: LCDC_HCRCFG2

Address: 0xF0030474

Access: Read/Write

31	30	29	28	27	26	25	24
-	-	-	-	-	YPOS		
23	22	21	20	19	18	17	16
YPOS							
15	14	13	12	11	10	9	8
-	-	-	-	-	XPOS		
7	6	5	4	3	2	1	0
XPOS							

XPOS: Horizontal Window Position

Hardware Cursor Horizontal window position.

YPOS: Vertical Window Position

Hardware Cursor Vertical window position.

SAMA5D3 SERIES

32.7.151 Hardware Cursor Configuration Register 3

Name: LCDC_HCRCFG3

Address: 0xF0030478

Access: Read/Write

31	30	29	28	27	26	25	24
–	–	–	–	–	YSIZE		
23	22	21	20	19	18	17	16
YSIZE							
15	14	13	12	11	10	9	8
–	–	–	–	–	XSIZE		
7	6	5	4	3	2	1	0
XSIZE							

XSIZE: Horizontal Window Size

Hardware cursor width is limited to 128 pixels

Hardware Cursor window width in pixels. The window width is set to (XSIZE + 1).

The following constraint must be met: $XPOS + XSIZE \leq PPL$

YSIZE: Vertical Window Size

Hardware cursor height is limited to 128 pixels

Hardware Cursor window height in pixels. The window height is set to (YSIZE + 1).

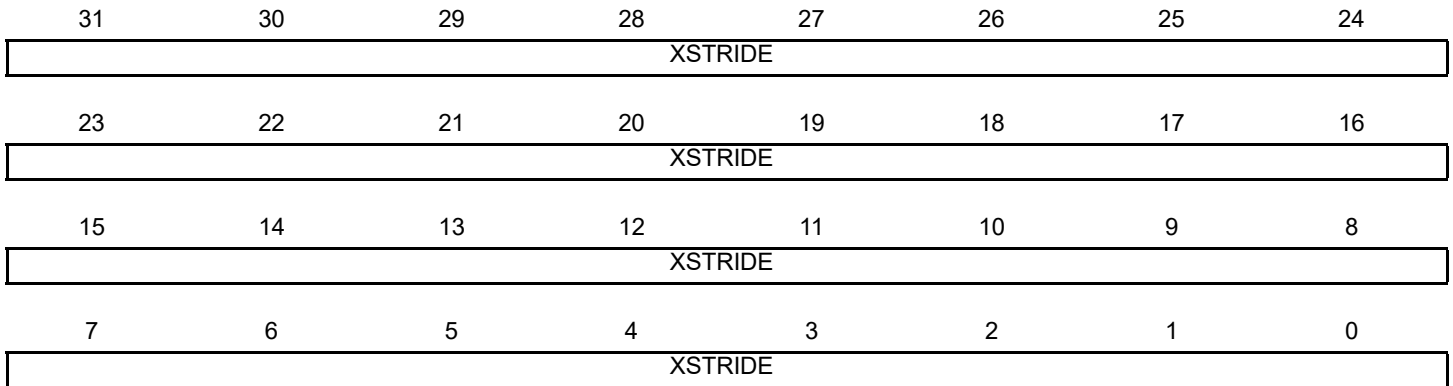
The following constraint must be met: $YPOS + YSIZE \leq RPF$

32.7.152 Hardware Cursor Configuration Register 4

Name: LCDC_HCRCFG4

Address: 0xF003047C

Access: Read/Write



XSTRIDE: Horizontal Stride

XSTRIDE represents the memory offset, in bytes, between two rows of the image memory.

SAMA5D3 SERIES

32.7.153 Hardware Cursor Configuration Register 6

Name: LCDC_HCRCFG6

Address: 0xF0030484

Access: Read/Write

31	30	29	28	27	26	25	24
–	–	–	–	–	–	–	–
23	22	21	20	19	18	17	16
RDEF							
15	14	13	12	11	10	9	8
GDEF							
7	6	5	4	3	2	1	0
BDEF							

RDEF: Red Default

Default Red color when the Hardware Cursor DMA channel is disabled.

GDEF: Green Default

Default Green color when the Hardware Cursor DMA channel is disabled.

BDEF: Blue Default

Default Blue color when the Hardware Cursor DMA channel is disabled.

32.7.154 Hardware Cursor Configuration Register 7

Name: LCDC_HCRCFG7

Address: 0xF0030488

Access: Read/Write

31	30	29	28	27	26	25	24
-	-	-	-	-	-	-	-
23	22	21	20	19	18	17	16
RKEY							
15	14	13	12	11	10	9	8
GKEY							
7	6	5	4	3	2	1	0
BKEY							

RKEY: Red Color Component Chroma Key

Reference Red chroma key used to match the Red color of the current overlay.

GKEY: Green Color Component Chroma Key

Reference Green chroma key used to match the Green color of the current overlay.

BKEY: Blue Color Component Chroma Key

Reference Blue chroma key used to match the Blue color of the current overlay.

SAMA5D3 SERIES

32.7.155 Hardware Cursor Configuration Register 8

Name: LCDC_HCRCFG8

Address: 0xF003048C

Access: Read/Write

31	30	29	28	27	26	25	24
–	–	–	–	–	–	–	–
23	22	21	20	19	18	17	16
RMask							
15	14	13	12	11	10	9	8
GMask							
7	6	5	4	3	2	1	0
BMask							

RMask: Red Color Component Chroma Key Mask

Red Mask used when the compare function is used. If a bit is set then this bit is compared.

GMask: Green Color Component Chroma Key Mask

Green Mask used when the compare function is used. If a bit is set then this bit is compared.

BMask: Blue Color Component Chroma Key Mask

Blue Mask used when the compare function is used. If a bit is set then this bit is compared.

32.7.156 Hardware Cursor Configuration Register 9

Name: LCDDC_HCRCFG9

Address: 0xF0030490

Access: Read/Write

31	30	29	28	27	26	25	24
–	–	–	–	–	–	–	–
23	22	21	20	19	18	17	16
GA							
15	14	13	12	11	10	9	8
–	–	–	–	–	DSTKEY	REP	DMA
7	6	5	4	3	2	1	0
OVR	LAEN	GAEN	REVALPHA	ITER	ITER2BL	INV	CRKEY

CRKEY: Blender Chroma Key Enable

- 0: Chroma key matching is disabled.
- 1: Chroma key matching is enabled.

INV: Blender Inverted Blender Output Enable

- 0: Iterated pixel is the blended pixel.
- 1: Iterated pixel is the inverted pixel.

ITER2BL: Blender Iterated Color Enable

- 0: Final adder stage operand is set to 0.
- 1: Final adder stage operand is set to the iterated pixel value.

ITER: Blender Use Iterated Color

- 0: Pixel difference is set to 0.
- 1: Pixel difference is set to the iterated pixel value.

REVALPHA: Blender Reverse Alpha

- 0: Pixel difference is multiplied by alpha.
- 1: Pixel difference is multiplied by 1 - alpha.

GAEN: Blender Global Alpha Enable

- 0: Global alpha blending coefficient is disabled.
- 1: Global alpha blending coefficient is enabled.

LAEN: Blender Local Alpha Enable

- 0: Local alpha blending coefficient is disabled.
- 1: Local alpha blending coefficient is enabled.

OVR: Blender Overlay Layer Enable

- 0: Overlay pixel color is set to the default overlay pixel color.
- 1: Overlay pixel color is set to the DMA channel pixel color.

DMA: Blender DMA Layer Enable

- 0: The default color is used on the Overlay 1 Layer.
- 1: The DMA channel retrieves the pixels stream from the memory.

SAMA5D3 SERIES

REP: Use Replication logic to expand RGB color to 24 bits

0: When the selected pixel depth is less than 24 bpp the pixel is shifted and least significant bits are set to 0.

1: When the selected pixel depth is less than 24 bpp the pixel is shifted and the least significant bit replicates the msb.

DSTKEY: Destination Chroma Keying

0: Source Chroma keying is enabled.

1: Destination Chroma keying is used.

GA: Blender Global Alpha

Global alpha blender for the current layer.

32.7.157 Post Processing Channel Enable Register

Name: LCDDC_PPCHER

Address: 0xF0030540

Access: Write-only

31	30	29	28	27	26	25	24
–	–	–	–	–	–	–	–
23	22	21	20	19	18	17	16
–	–	–	–	–	–	–	–
15	14	13	12	11	10	9	8
–	–	–	–	–	–	–	–
7	6	5	4	3	2	1	0
–	–	–	–	–	A2QEN	UPDATEEN	CHEN

CHEN: Channel Enable

0: No effect

1: Enables the DMA channel

UPDATEEN: Update Overlay Attributes Enable

0: No effect

1: Updates windows attributes on the next start of frame.

A2QEN: Add To Queue Enable

0: No effect

1: Indicates that a valid descriptor has been written to memory, its memory location should be written to the DMA head pointer. The A2QSR status bit is set to one, and it is reset by hardware as soon as the descriptor pointed to by the DMA head pointer is added to the list.

SAMA5D3 SERIES

32.7.158 Post Processing Channel Disable Register

Name: LCDC_PPCHDR

Address: 0xF0030544

Access: Write-only

31	30	29	28	27	26	25	24
–	–	–	–	–	–	–	–
23	22	21	20	19	18	17	16
–	–	–	–	–	–	–	–
15	14	13	12	11	10	9	8
–	–	–	–	–	–	–	CHRST
7	6	5	4	3	2	1	0
–	–	–	–	–	–	–	CHDIS

CHDIS: Channel Disable

0: No effect

1: Disables the layer at the end of the current frame. The frame is completed.

CHRST: Channel Reset

0: No effect

1: Resets the layer immediately. The frame is aborted.

32.7.159 Post Processing Channel Status Register

Name: LCDDC_PPCHSR

Address: 0xF0030548

Access: Read-only

31	30	29	28	27	26	25	24
–	–	–	–	–	–	–	–
23	22	21	20	19	18	17	16
–	–	–	–	–	–	–	–
15	14	13	12	11	10	9	8
–	–	–	–	–	–	–	–
7	6	5	4	3	2	1	0
–	–	–	–	–	A2QSR	UPDATESR	CHSR

CHSR: Channel Status

0: Layer disabled

1: Layer enabled

UPDATESR: Update Overlay Attributes In Progress Status

0: No update pending

1: Overlay attributes will be updated on the next frame

A2QSR: Add To Queue Status

0: Add to queue not pending

1: Add to queue pending

SAMA5D3 SERIES

32.7.160 Post Processing Interrupt Enable Register

Name: LCDC_PPIER

Address: 0xF003054C

Access: Write-only

31	30	29	28	27	26	25	24
–	–	–	–	–	–	–	–
23	22	21	20	19	18	17	16
–	–	–	–	–	–	–	–
15	14	13	12	11	10	9	8
–	–	–	–	–	–	–	–
7	6	5	4	3	2	1	0
–	–	DONE	ADD	DSCR	DMA	–	–

DMA: End of DMA Transfer Interrupt Enable

0: No effect

1: Interrupt source is enabled

DSCR: Descriptor Loaded Interrupt Enable

0: No effect

1: Interrupt source is enabled

ADD: Head Descriptor Loaded Interrupt Enable

0: No effect

1: Interrupt source is enabled

DONE: End of List Interrupt Enable

0: No effect

1: Interrupt source is enabled

32.7.161 Post Processing Interrupt Disable Register

Name: LCDC_PPIDR

Address: 0xF0030550

Access: Write-only

31	30	29	28	27	26	25	24
–	–	–	–	–	–	–	–
23	22	21	20	19	18	17	16
–	–	–	–	–	–	–	–
15	14	13	12	11	10	9	8
–	–	–	–	–	–	–	–
7	6	5	4	3	2	1	0
–	–	DONE	ADD	DSCR	DMA	–	–

DMA: End of DMA Transfer Interrupt Disable

0: No effect

1: Interrupt source is disabled

DSCR: Descriptor Loaded Interrupt Disable

0: No effect

1: Interrupt source is disabled

ADD: Head Descriptor Loaded Interrupt Disable

0: No effect

1: Interrupt source is disabled

DONE: End of List Interrupt Disable

0: No effect

1: Interrupt source is disabled

SAMA5D3 SERIES

32.7.162 Post Processing Interrupt Mask Register

Name: LCDC_PPIMR

Address: 0xF0030554

Access: Read-only

31	30	29	28	27	26	25	24
–	–	–	–	–	–	–	–
23	22	21	20	19	18	17	16
–	–	–	–	–	–	–	–
15	14	13	12	11	10	9	8
–	–	–	–	–	–	–	–
7	6	5	4	3	2	1	0
–	–	DONE	ADD	DSCR	DMA	–	–

DMA: End of DMA Transfer Interrupt Mask

0: Interrupt source is disabled

1: Interrupt source is enabled

DSCR: Descriptor Loaded Interrupt Mask

0: Interrupt source is disabled

1: Interrupt source is enabled

ADD: Head Descriptor Loaded Interrupt Mask

0: Interrupt source is disabled

1: Interrupt source is enabled

DONE: End of List Interrupt Mask

0: Interrupt source is disabled

1: Interrupt source is enabled

32.7.163 Post Processing Interrupt Status Register

Name: LCDC_PPISR

Address: 0xF0030558

Access: Read-only

31	30	29	28	27	26	25	24
–	–	–	–	–	–	–	–
23	22	21	20	19	18	17	16
–	–	–	–	–	–	–	–
15	14	13	12	11	10	9	8
–	–	–	–	–	–	–	–
7	6	5	4	3	2	1	0
–	–	DONE	ADD	DSCR	DMA	–	–

DMA: End of DMA Transfer

0: No End of Transfer has been detected since last read of LCDC_PPISR

1: End of Transfer has been detected. This flag is reset after a read operation.

DSCR: DMA Descriptor Loaded

0: No descriptor has been loaded since last read of LCDC_PPISR

1: A descriptor has been loaded successfully. This flag is reset after a read operation.

ADD: Head Descriptor Loaded

0: No descriptor has been loaded since last read of LCDC_PPISR

1: The descriptor pointed to by the LCDC_PPHEAD register has been loaded successfully. This flag is reset after a read operation.

DONE: End of List Detected

0: No End of List condition has occurred since last read of LCDC_PPISR

1: End of List condition has occurred. This flag is reset after a read operation.

SAMA5D3 SERIES

32.7.164 Post Processing Head Register

Name: LCDDC_PPHEAD

Address: 0xF003055C

Access: Read/Write

31	30	29	28	27	26	25	24
HEAD							
23	22	21	20	19	18	17	16
HEAD							
15	14	13	12	11	10	9	8
HEAD							
7	6	5	4	3	2	1	0
HEAD						-	-

HEAD: DMA Head Pointer

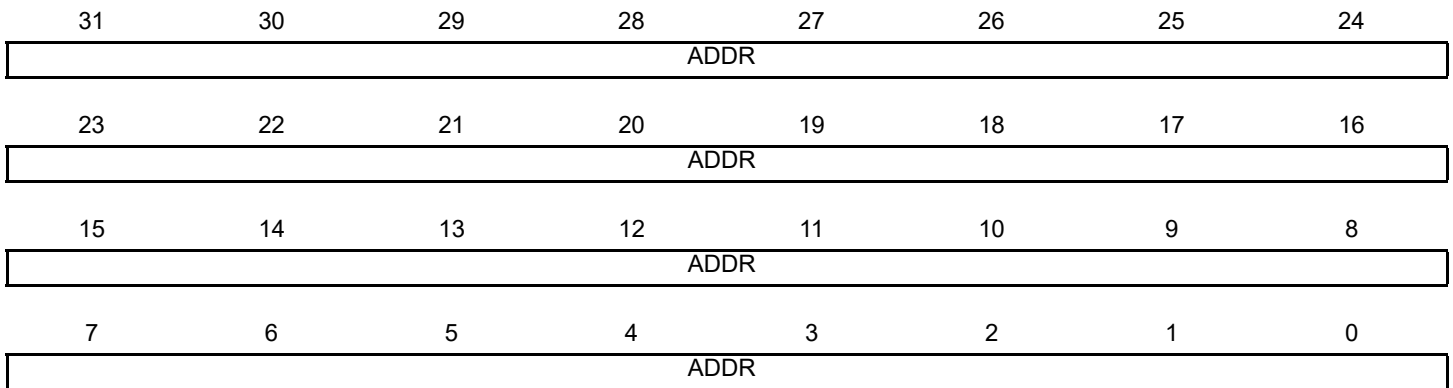
The Head Pointer points to a new descriptor.

32.7.165 Post Processing Address Register

Name: LCDDC_PPADDR

Address: 0xF0030560

Access: Read/Write



ADDR: DMA Transfer Start Address

Post Processing Destination frame buffer address.

SAMA5D3 SERIES

32.7.166 Post Processing Control Register

Name: LCDC_PPCTRL

Address: 0xF0030564

Access: Read/Write

31	30	29	28	27	26	25	24
–	–	–	–	–	–	–	–
23	22	21	20	19	18	17	16
–	–	–	–	–	–	–	–
15	14	13	12	11	10	9	8
–	–	–	–	–	–	–	–
7	6	5	4	3	2	1	0
–	–	DONEIEN	ADDIEN	DSCRIEN	DMAIEN	–	DFETCH

DFETCH: Transfer Descriptor Fetch Enable

0: Transfer Descriptor fetch is disabled.

1: Transfer Descriptor fetch is enabled.

DMAIEN: End of DMA Transfer Interrupt Enable

0: DMA transfer completed interrupt is enabled.

1: DMA transfer completed interrupt is disabled.

DSCRIEN: Descriptor Loaded Interrupt Enable

0: Transfer descriptor loaded interrupt is enabled.

1: Transfer descriptor loaded interrupt is disabled.

ADDIEN: Add Head Descriptor to Queue Interrupt Enable

0: Transfer descriptor added to queue interrupt is enabled.

1: Transfer descriptor added to queue interrupt is disabled.

DONEIEN: End of List Interrupt Enable

0: End of list interrupt is disabled.

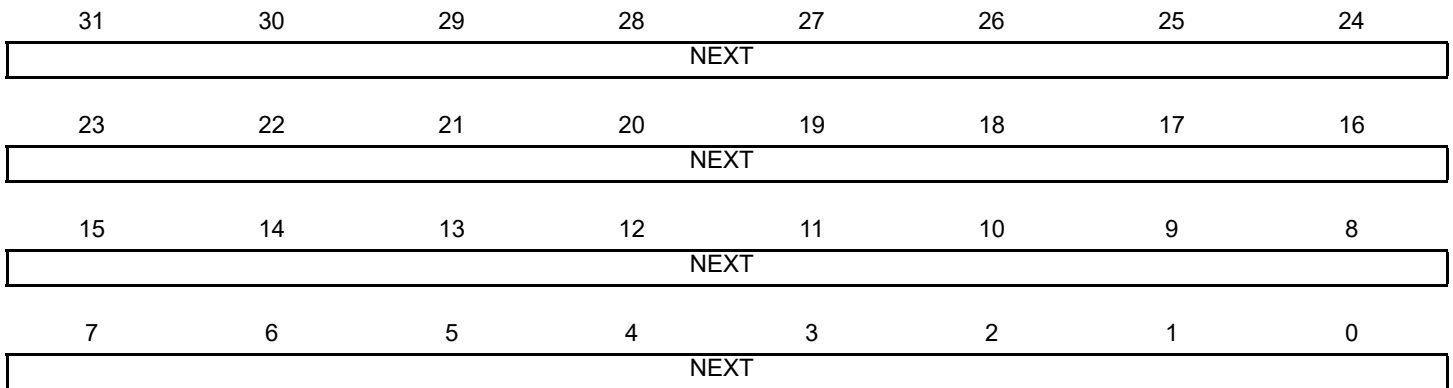
1: End of list interrupt is enabled.

32.7.167 Post Processing Next Register

Name: LCDDC_PPNEXT

Address: 0xF0030568

Access: Read/Write



NEXT: DMA Descriptor Next Address

The transfer descriptor address must be aligned on a 64-bit boundary.

SAMA5D3 SERIES

32.7.168 Post Processing Configuration Register 0

Name: LCDC_PPCFG0

Address: 0xF003056C

Access: Read/Write

31	30	29	28	27	26	25	24
–	–	–	–	–	–	–	–
23	22	21	20	19	18	17	16
–	–	–	–	–	–	–	–
15	14	13	12	11	10	9	8
–	–	–	–	–	–	–	DLBO
7	6	5	4	3	2	1	0
–	–	BLEN		–	–	–	SIF

SIF: Source Interface

0: Base Layer data is retrieved through AHB interface 0.

1: Base Layer data is retrieved through AHB interface 1.

BLEN: AHB Burst Length

Value	Name	Description
0	AHB_BLEN_SINGLE	AHB Access is started as soon as there is enough space in the FIFO to store one data. SINGLE, INCR, INCR4, INCR8 and INCR16 bursts are used. INCR is used for a burst of 2 and 3 beats.
1	AHB_BLEN_INCR4	AHB Access is started as soon as there is enough space in the FIFO to store a total amount of 4 data. An AHB INCR4 Burst is used. SINGLE, INCR and INCR4 bursts are used. INCR is used for a burst of 2 and 3 beats.
2	AHB_BLEN_INCR8	AHB Access is started as soon as there is enough space in the FIFO to store a total amount of 8 data. An AHB INCR8 Burst is used. SINGLE, INCR, INCR4 and INCR8 bursts are used. INCR is used for a burst of 2 and 3 beats.
3	AHB_BLEN_INCR16	AHB Access is started as soon as there is enough space in the FIFO to store a total amount of 16 data. An AHB INCR16 Burst is used. SINGLE, INCR, INCR4, INCR8 and INCR16 bursts are used. INCR is used for a burst of 2 and 3 beats.

DLBO: Defined Length Burst Only For Channel Bus Transaction

0: Undefined length INCR burst is used for 2 and 3 beats burst.

1: Only Defined Length burst is used (SINGLE, INCR4, INCR8 and INCR16).

32.7.169 Post Processing Configuration Register 1

Name: LCDC_PPCFG1

Address: 0xF0030570

Access: Read/Write

31	30	29	28	27	26	25	24
–	–	–	–	–	–	–	–
23	22	21	20	19	18	17	16
–	–	–	–	–	–	–	–
15	14	13	12	11	10	9	8
–	–	–	–	–	–	–	–
7	6	5	4	3	2	1	0
–	–	–	ITUBT601	–	PPMODE		

PPMODE: Post Processing Output Format Selection

Value	Name	Description
0	PPMODE_RGB_16BPP	RGB 16 bpp
1	PPMODE_RGB_24BPP_PACKED	RGB 24 bpp PACKED
2	PPMODE_RGB_24BPP_UNPACKED	RGB 24 bpp UNPACKED
3	PPMODE_YCBCR_422_MODE0	YCbCr 422 16 bpp (Mode 0)
4	PPMODE_YCBCR_422_MODE1	YCbCr 422 16 bpp (Mode 1)
5	PPMODE_YCBCR_422_MODE2	YCbCr 422 16 bpp (Mode 2)
6	PPMODE_YCBCR_422_MODE3	YCbCr 422 16 bpp (Mode 3)

ITUBT601: Color Space Conversion Luminance

0: Luminance and chrominance range is [0;255]

1: Luminance values are clamped to [16;235] range. Chrominance values are clamped to [16;240] range.

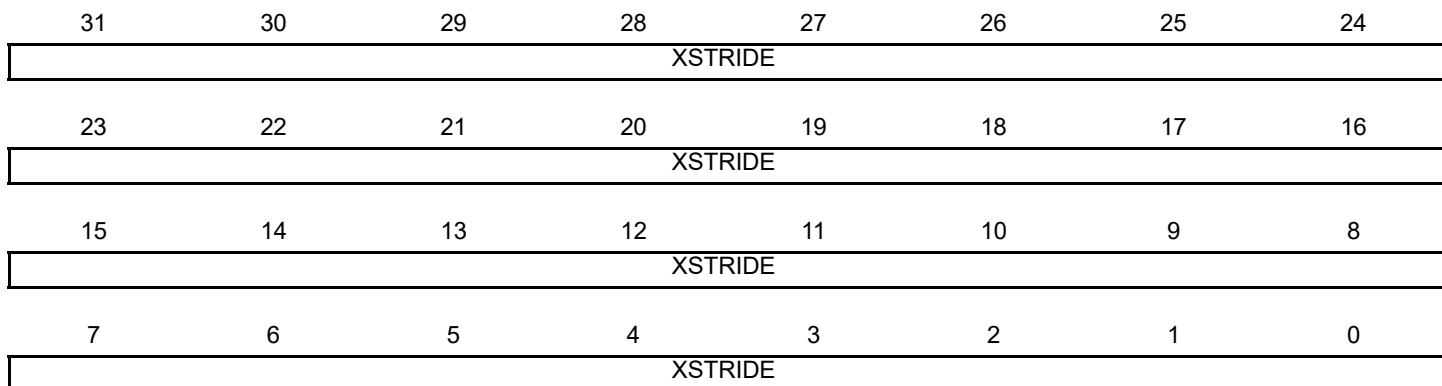
SAMA5D3 SERIES

32.7.170 Post Processing Configuration Register 2

Name: LCDC_PPCFG2

Address: 0xF0030574

Access: Read/Write



XSTRIDE: Horizontal Stride

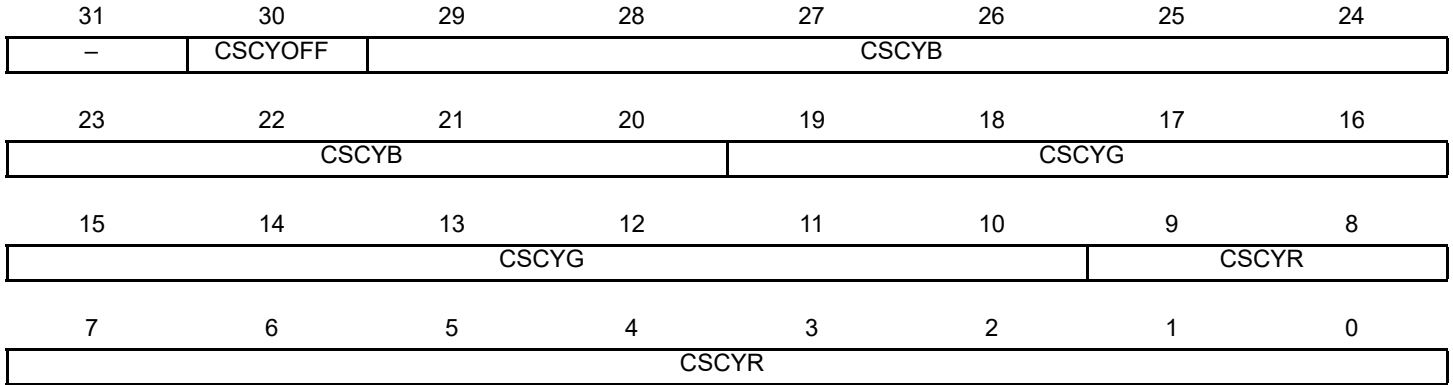
XSTRIDE represents the memory offset, in bytes, between two rows of the image memory.

32.7.171 Post Processing Configuration Register 3

Name: LCDC_PPCFG3

Address: 0xF0030578

Access: Read/Write



CSCYR: Color Space Conversion R coefficient for Luminance component, signed format, step set to 1/1024

Color Space Conversion coefficient format is 1 sign bit, 9 fractional bits.

CSCYG: Color Space Conversion G coefficient for Luminance component, signed format, step set to 1/512

Color Space Conversion coefficient format is 1 sign bit, 9 fractional bits.

CSCYB: Color Space Conversion B coefficient for Luminance component, signed format, step set to 1/1024

Color Space Conversion coefficient format is 1 sign bit, 9 fractional bits.

CSCYOFF: Color Space Conversion Luminance Offset

0: The *Yoff* parameter value is set to 0.

1: The *Yoff* parameter value is set to 16.

SAMA5D3 SERIES

32.7.172 Post Processing Configuration Register 4

Name: LCDC_PPCFG4

Address: 0xF003057C

Access: Read/Write

31	30	29	28	27	26	25	24
–	CSCUOFF	CSCUB					
23	22	21	20	19	18	17	16
CSCUB				CSCUG			
15	14	13	12	11	10	9	8
CSCUG						CSCUR	
7	6	5	4	3	2	1	0
CSCUR							

CSCUR: Color Space Conversion R coefficient for Chrominance B component, signed format. (step 1/1024)

Color Space Conversion coefficient format is 1 sign bit, 9 fractional bits.

CSCUG: Color Space Conversion G coefficient for Chrominance B component, signed format. (step 1/512)

Color Space Conversion coefficient format is 1 sign bit, 9 fractional bits.

CSCUB: Color Space Conversion B coefficient for Chrominance B component, signed format. (step 1/512)

Color Space Conversion coefficient format is 1 sign bit, 9 fractional bits.

CSCUOFF: Color Space Conversion Chrominance B Offset

0: The *Cboff* parameter value is set to 0.

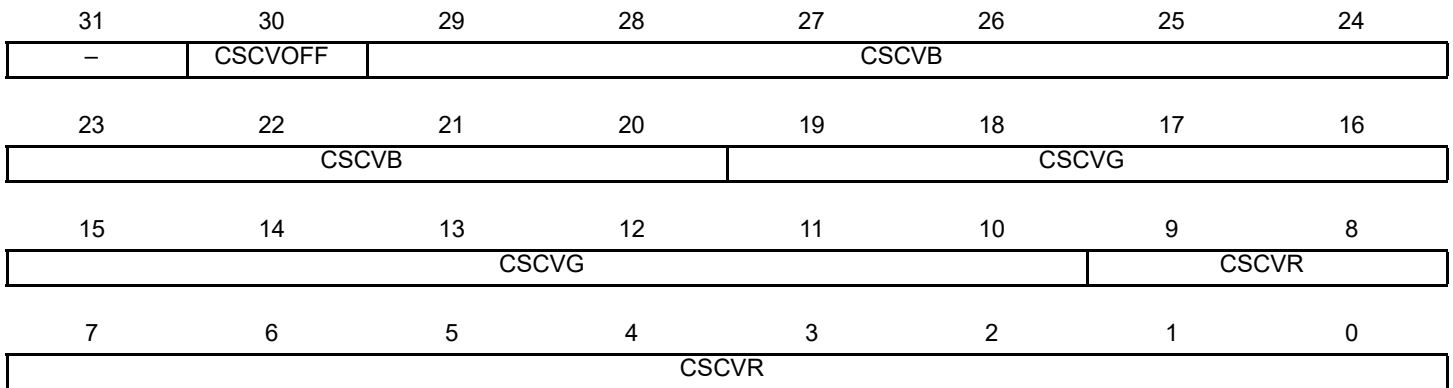
1: The *Cboff* parameter value is set to 128.

32.7.173 Post Processing Configuration Register 5

Name: LCDC_PPCFG5

Address: 0xF0030580

Access: Read/Write



CSCVR: Color Space Conversion R coefficient for Chrominance R component, signed format. (step 1/1024)

Color Space Conversion coefficient format is 1 sign bit, 9 fractional bits.

CSCVG: Color Space Conversion G coefficient for Chrominance R component, signed format. (step 1/512)

Color Space Conversion coefficient format is 1 sign bit, 9 fractional bits.

CSCVB: Color Space Conversion B coefficient for Chrominance R component, signed format. (step 1/1024)

Color Space Conversion coefficient format is 1 sign bit, 9 fractional bits.

CSCVOFF: Color Space Conversion Chrominance R Offset

0: The *Croff* parameter value is set to 0.

1: The *Croff* parameter value is set to 128.

SAMA5D3 SERIES

32.7.174 Base CLUT Register x

Name: LCDC_BASECLUTx [x=0..255]

Address: 0xF0030600

Access: Read/Write

31	30	29	28	27	26	25	24
–	–	–	–	–	–	–	–
23	22	21	20	19	18	17	16
RCLUT							
15	14	13	12	11	10	9	8
GCLUT							
7	6	5	4	3	2	1	0
BCLUT							

BCLUT: Blue Color Entry

This field indicates the 8-bit width Blue color of the color lookup table.

GCLUT: Green Color Entry

This field indicates the 8-bit width Green color of the color lookup table.

RCLUT: Red Color Entry

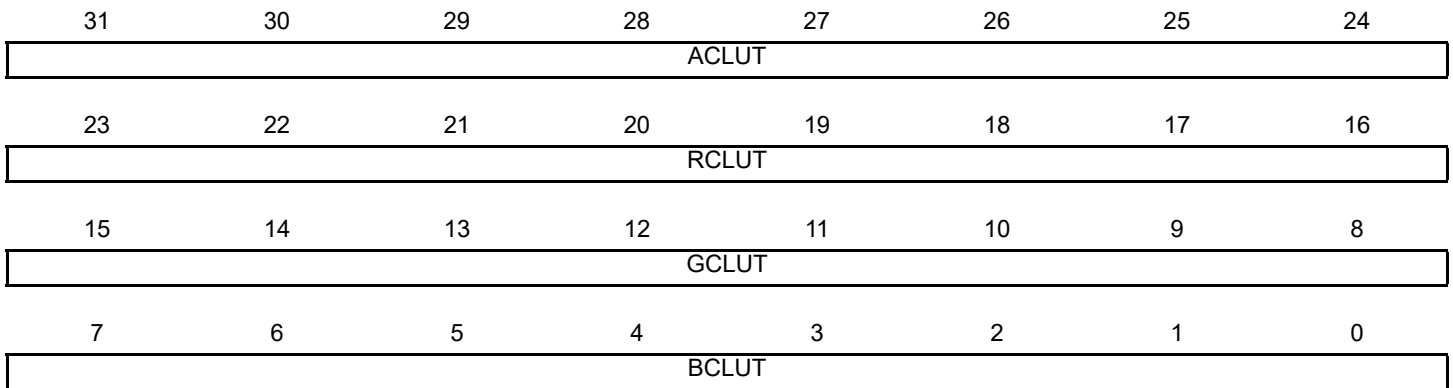
This field indicates the 8-bit width Red color of the color lookup table.

32.7.175 Overlay 1 CLUT Register x

Name: LCDC_OVR1CLUTx [x=0..255]

Address: 0xF0030A00

Access: Read/Write



BCLUT: Blue Color Entry

This field indicates the 8-bit width Blue color of the color lookup table.

GCLUT: Green Color Entry

This field indicates the 8-bit width Green color of the color lookup table.

RCLUT: Red Color Entry

This field indicates the 8-bit width Red color of the color lookup table.

ACLUT: Alpha Color Entry

This field indicates the 8-bit width Alpha channel of the color lookup table.

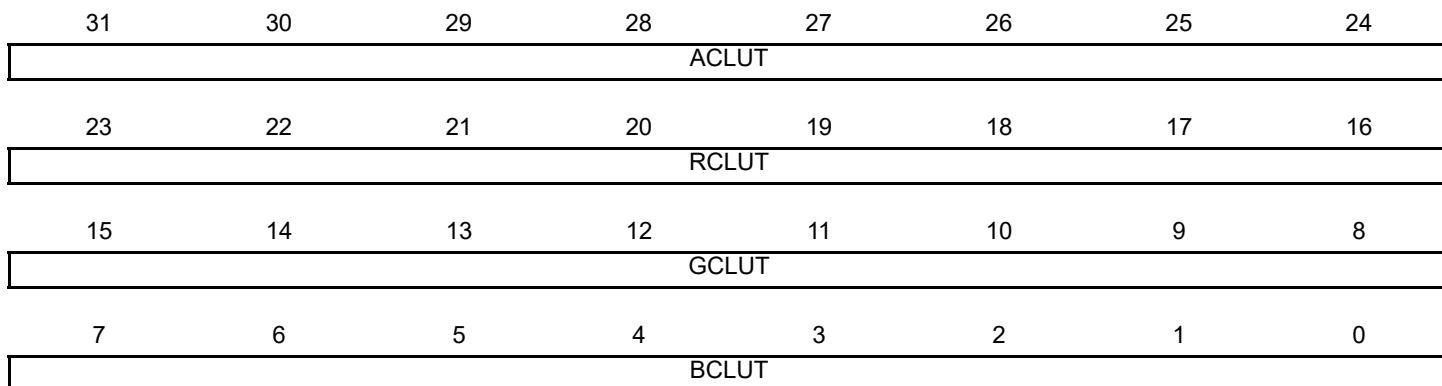
SAMA5D3 SERIES

32.7.176 Overlay 2 CLUT Register x

Name: LCDDC_OVR2CLUTx [x=0..255]

Address: 0xF0030E00

Access: Read/Write



BCLUT: Blue Color Entry

This field indicates the 8-bit width Blue color of the color lookup table.

GCLUT: Green Color Entry

This field indicates the 8-bit width Green color of the color lookup table.

RCLUT: Red Color Entry

This field indicates the 8-bit width Red color of the color lookup table.

ACLUT: Alpha Color Entry

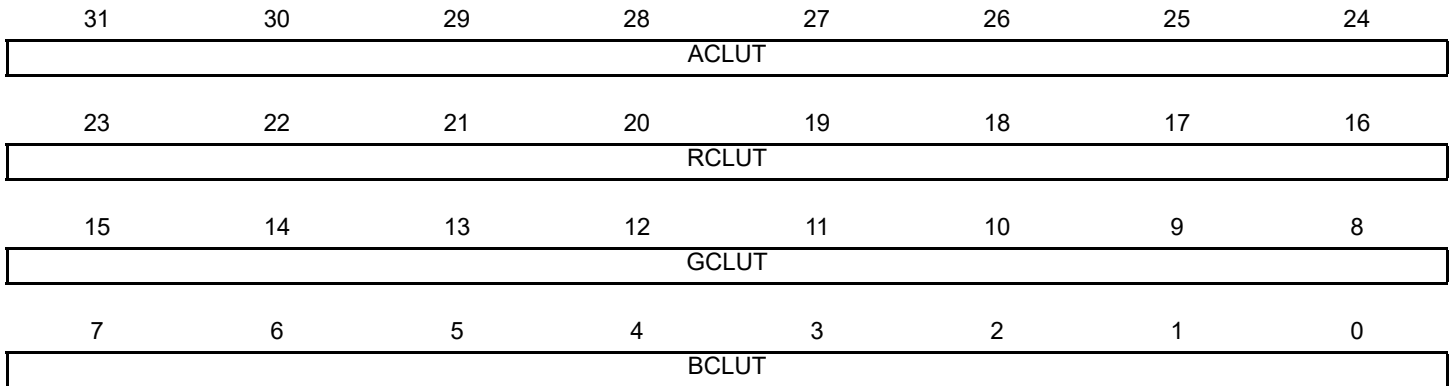
This field indicates the 8-bit width Alpha channel of the color lookup table.

32.7.177 High End Overlay CLUT Register x

Name: LCDDC_HEOCLUTx [x=0..255]

Address: 0xF0031200

Access: Read/Write



BCLUT: Blue Color Entry

This field indicates the 8-bit width Blue color of the color lookup table.

GCLUT: Green Color Entry

This field indicates the 8-bit width Green color of the color lookup table.

RCLUT: Red Color Entry

This field indicates the 8-bit width Red color of the color lookup table.

ACLUT: Alpha Color Entry

This field indicates the 8-bit width Alpha channel of the color lookup table.

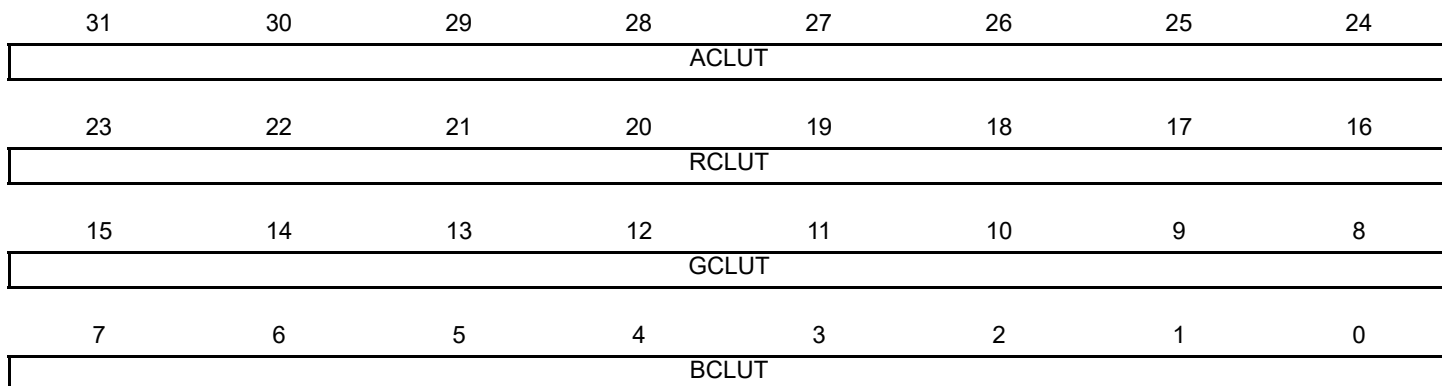
SAMA5D3 SERIES

32.7.178 Hardware Cursor CLUT Register x

Name: LCDDC_HCRCLUTx [x=0..255]

Address: 0xF0031600

Access: Read/Write



BCLUT: Blue Color Entry

This field indicates the 8-bit width Blue color of the color lookup table.

GCLUT: Green Color Entry

This field indicates the 8-bit width Green color of the color lookup table.

RCLUT: Red Color Entry

This field indicates the 8-bit width Red color of the color lookup table.

ACLUT: Alpha Color Entry

This field indicates the 8-bit width Alpha channel of the color lookup table.

33. Image Sensor Interface (ISI)

33.1 Description

The Image Sensor Interface (ISI) connects a CMOS-type image sensor to the processor and provides image capture in various formats. The ISI performs data conversion, if necessary, before the storage in memory through DMA.

The ISI supports color CMOS image sensor and grayscale image sensors with a reduced set of functionalities.

In grayscale mode, the data stream is stored in memory without any processing and so is not compatible with the LCD controller.

Internal FIFOs on the preview and codec paths are used to store the incoming data. The RGB output on the preview path is compatible with the LCD controller. This module outputs the data in RGB format (LCD compatible) and has scaling capabilities to make it compliant to the LCD display resolution (see [Table 33-5 on page 788](#)).

Several input formats such as preprocessed RGB or YCbCr are supported through the data bus interface.

The ISI supports two modes of synchronization:

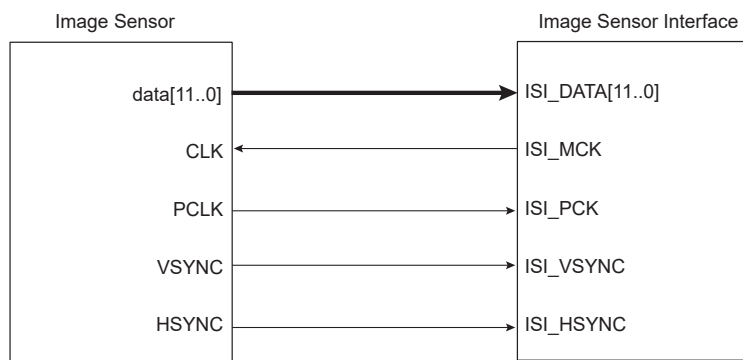
- Hardware with ISI_VSYNC and ISI_HSYNC signals
- International Telecommunication Union Recommendation *ITU-R BT.656-4* Start-of-Active-Video (SAV) and End-of-Active-Video (EAV) synchronization sequence

Using EAV/SAV for synchronization reduces the pin count (ISI_VSYNC, ISI_HSYNC not used). The polarity of the synchronization pulse is programmable to comply with the sensor signals.

Table 33-1: I/O Description

Signal	Direction	Description
ISI_VSYNC	In	Vertical Synchronization
ISI_HSYNC	In	Horizontal Synchronization
ISI_DATA[11..0]	In	Sensor Pixel Data
ISI_MCK	Out	Master Clock Provided to the Image Sensor
ISI_PCK	In	Pixel Clock Provided by the Image Sensor

Figure 33-1: ISI Connection Example



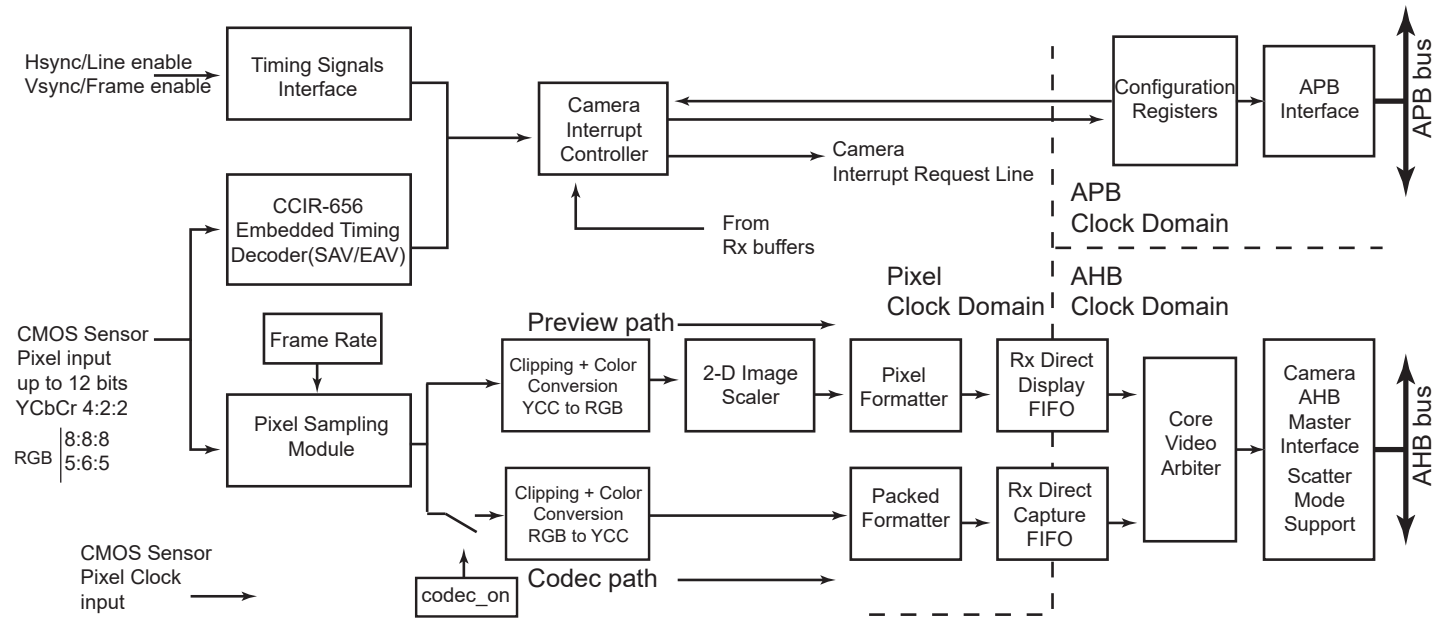
SAMA5D3 SERIES

33.2 Embedded Characteristics

- ITU-R BT. 601/656 8-bit Mode External Interface Support
- Supports up to 12-bit Grayscale CMOS Sensors
- Support for ITU-R BT.656-4 SAV and EAV Synchronization
- Vertical and Horizontal Resolutions up to 2048 × 2048
- Preview Path up to 640 × 480 in RGB Mode
- Codec Path up to 2048 × 2048
- 32-byte FIFO on Codec Path
- 32-byte FIFO on Preview Path
- Support for Packed Data Formatting for YCbCr 4:2:2 Formats
- Preview Scaler to Generate Smaller Size image
- Programmable Frame Capture Rate
- VGA, QVGA, CIF, QCIF Formats Supported for LCD Preview
- Custom Formats with Horizontal and Vertical Preview Size as Multiples of 16 Also Supported for LCD Preview

33.3 Block Diagram

Figure 33-2: ISI Block Diagram



33.4 Product Dependencies

33.4.1 I/O Lines

The pins used for interfacing the compliant external devices can be multiplexed with PIO lines. The programmer must first program the PIO controllers to assign the ISI pins to their peripheral functions.

Table 33-2: I/O Lines

Instance	Signal	I/O Line	Peripheral
ISI	ISI_D0	PA16	C
ISI	ISI_D1	PA17	C
ISI	ISI_D2	PA18	C
ISI	ISI_D3	PA19	C
ISI	ISI_D4	PA20	C
ISI	ISI_D5	PA21	C
ISI	ISI_D6	PA22	C
ISI	ISI_D7	PA23	C
ISI	ISI_D8	PC29	C
ISI	ISI_D9	PC28	C
ISI	ISI_D10	PC27	C
ISI	ISI_D11	PC26	C
ISI	ISI_HSYNC	PA31	C
ISI	ISI_PCK	PC30	C
ISI	ISI_VSYNC	PA30	C

33.4.2 Power Management

The ISI can be clocked through the Power Management Controller (PMC), thus the programmer must first configure the PMC to enable the ISI clock.

Note: The pixel clock frequency must be lower than the bus clock frequency (peripheral clock).

33.4.3 Interrupt Sources

The ISI interface has an interrupt line connected to the interrupt controller. Handling the ISI interrupt requires programming the interrupt controller before configuring the ISI.

Table 33-3: Peripheral IDs

Instance	ID
ISI	37

SAMA5D3 SERIES

33.5 Functional Description

The Image Sensor Interface (ISI) supports direct connection to the ITU-R BT. 601/656 8-bit mode compliant sensors and up to 12-bit grayscale sensors. It receives the image data stream from the image sensor on the 12-bit data bus.

This module receives up to 12 bits for data, the horizontal and vertical synchronizations and the pixel clock. The reduced pin count alternative for synchronization is supported for sensors that embed SAV (start of active video) and EAV (end of active video) delimiters in the data stream.

The Image Sensor Interface interrupt line is connected to the Advanced Interrupt Controller and can trigger an interrupt at the beginning of each frame and at the end of a DMA frame transfer. If the SAV/EAV synchronization is used, an interrupt can be triggered on each delimiter event.

For 8-bit color sensors, the data stream received can be in several possible formats: YCbCr 4:2:2, RGB 8:8:8, RGB 5:6:5 and may be processed before the storage in memory. When the preview DMA channel is configured and enabled, the preview path is activated and an 'RGB frame' is moved to memory. The preview path frame rate is configured with the FRATE field of the ISI_CFG1 register. When the codec DMA channel is configured and enabled, the codec path is activated and a 'YCbCr 4:2:2 frame' is captured as soon as the ISI_CDC bit of the ISI Control Register (ISI_CR) is set.

When the FULL bit of the ISI_CFG1 register is set, both preview DMA channel and codec DMA channel can operate simultaneously. When a zero is written to the FULL bit of the ISI_CFG1 register, a hardware scheduler checks the FRATE field. If its value is zero, a preview frame is skipped and a codec frame is moved to memory instead. If its value is other than zero, at least one free frame slot is available. The scheduler postpones the codec frame to that free available frame slot.

The data stream may be sent on both preview path and codec path if the value of bit ISI_CDC in the ISI_CR is one. To optimize the bandwidth, the codec path should be enabled only when a capture is required.

In grayscale mode, the input data stream is stored in memory without any processing. The 12-bit data, which represent the grayscale level for the pixel, is stored in memory one or two pixels per word, depending on the GS_MODE bit in the ISI_CFG2 register. The codec datapath is not available when grayscale image is selected.

A frame rate counter allows users to capture all frames or 1 out of every 2 to 8 frames.

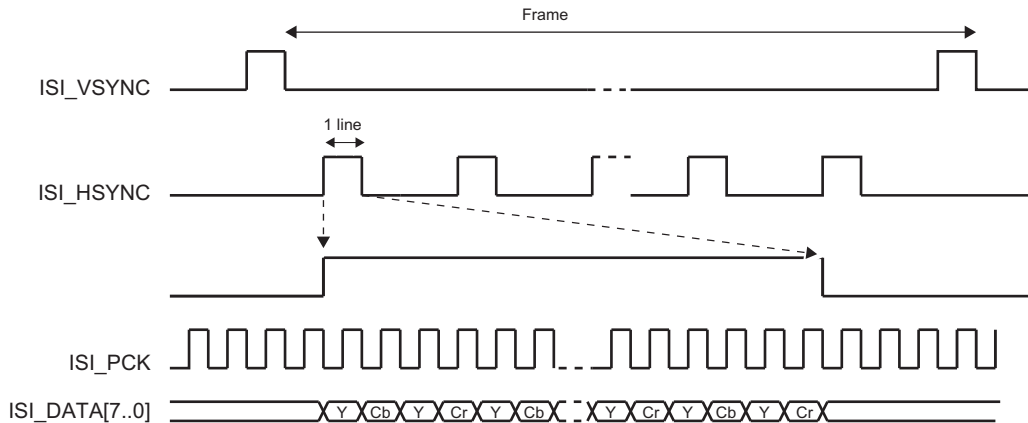
33.5.1 Data Timing

33.5.1.1 VSYNC/HSYNC Data Timing

In the VSYNC/HSYNC synchronization, the valid data is captured with the active edge of the pixel clock (ISI_PCK), after SFD lines of vertical blanking and SLD pixel clock periods delay programmed in the ISI_CR.

The data timing using horizontal and vertical synchronization are shown in [Figure 33-3](#).

Figure 33-3: HSYNC and VSYNC Synchronization



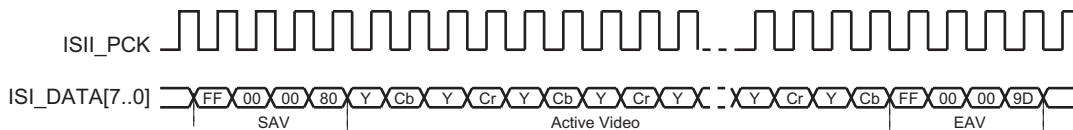
33.5.1.2 SAV/EAV Data Timing

The ITU-RBT.656-4 standard defines the functional timing for an 8-bit wide interface.

There are two timing reference signals, one at the beginning of each video data block SAV (0xFF000080) and one at the end of each video data block EAV (0xFF00009D). Only data sent between EAV and SAV is captured. Horizontal blanking and vertical blanking are ignored. Use of the SAV and EAV synchronization eliminates the ISI_VSYNC and ISI_HSYNC signals from the interface, thereby reducing the pin count. In order to retrieve both frame and line synchronization properly, at least one line of vertical blanking is mandatory.

The data timing using EAV/SAV sequence synchronization are shown in [Figure 33-4](#).

Figure 33-4: SAV and EAV Sequence Synchronization



SAMA5D3 SERIES

33.5.2 Data Ordering

The RGB color space format is required for viewing images on a display screen preview, and the YCbCr color space format is required for encoding.

All the sensors do not output the YCbCr or RGB components in the same order. The ISI allows the user to program the same component order as the sensor, reducing software treatments to restore the right format.

Table 33-4: Data Ordering in YCbCr Mode

Mode	Byte 0	Byte 1	Byte 2	Byte 3
Default	Cb(i)	Y(i)	Cr(i)	Y(i+1)
Mode 1	Cr(i)	Y(i)	Cb(i)	Y(i+1)
Mode 2	Y(i)	Cb(i)	Y(i+1)	Cr(i)
Mode 3	Y(i)	Cr(i)	Y(i+1)	Cb(i)

Table 33-5: RGB Format in Default Mode, RGB_CFG = 00, No Swap

Mode	Byte	D7	D6	D5	D4	D3	D2	D1	D0
RGB 8:8:8	Byte 0	R7(i)	R6(i)	R5(i)	R4(i)	R3(i)	R2(i)	R1(i)	R0(i)
	Byte 1	G7(i)	G6(i)	G5(i)	G4(i)	G3(i)	G2(i)	G1(i)	G0(i)
	Byte 2	B7(i)	B6(i)	B5(i)	B4(i)	B3(i)	B2(i)	B1(i)	B0(i)
	Byte 3	R7(i+1)	R6(i+1)	R5(i+1)	R4(i+1)	R3(i+1)	R2(i+1)	R1(i+1)	R0(i+1)
RGB 5:6:5	Byte 0	R4(i)	R3(i)	R2(i)	R1(i)	R0(i)	G5(i)	G4(i)	G3(i)
	Byte 1	G2(i)	G1(i)	G0(i)	B4(i)	B3(i)	B2(i)	B1(i)	B0(i)
	Byte 2	R4(i+1)	R3(i+1)	R2(i+1)	R1(i+1)	R0(i+1)	G5(i+1)	G4(i+1)	G3(i+1)
	Byte 3	G2(i+1)	G1(i+1)	G0(i+1)	B4(i+1)	B3(i+1)	B2(i+1)	B1(i+1)	B0(i+1)

Table 33-6: RGB Format, RGB_CFG = 10 (Mode 2), No Swap

Mode	Byte	D7	D6	D5	D4	D3	D2	D1	D0
RGB 5:6:5	Byte 0	G2(i)	G1(i)	G0(i)	R4(i)	R3(i)	R2(i)	R1(i)	R0(i)
	Byte 1	B4(i)	B3(i)	B2(i)	B1(i)	B0(i)	G5(i)	G4(i)	G3(i)
	Byte 2	G2(i+1)	G1(i+1)	G0(i+1)	R4(i+1)	R3(i+1)	R2(i+1)	R1(i+1)	R0(i+1)
	Byte 3	B4(i+1)	B3(i+1)	B2(i+1)	B1(i+1)	B0(i+1)	G5(i+1)	G4(i+1)	G3(i+1)

Table 33-7: RGB Format in Default Mode, RGB_CFG = 00, Swap Activated

Mode	Byte	D7	D6	D5	D4	D3	D2	D1	D0
RGB 8:8:8	Byte 0	R0(i)	R1(i)	R2(i)	R3(i)	R4(i)	R5(i)	R6(i)	R7(i)
	Byte 1	G0(i)	G1(i)	G2(i)	G3(i)	G4(i)	G5(i)	G6(i)	G7(i)
	Byte 2	B0(i)	B1(i)	B2(i)	B3(i)	B4(i)	B5(i)	B6(i)	B7(i)
	Byte 3	R0(i+1)	R1(i+1)	R2(i+1)	R3(i+1)	R4(i+1)	R5(i+1)	R6(i+1)	R7(i+1)
RGB 5:6:5	Byte 0	G3(i)	G4(i)	G5(i)	R0(i)	R1(i)	R2(i)	R3(i)	R4(i)
	Byte 1	B0(i)	B1(i)	B2(i)	B3(i)	B4(i)	G0(i)	G1(i)	G2(i)
	Byte 2	G3(i+1)	G4(i+1)	G5(i+1)	R0(i+1)	R1(i+1)	R2(i+1)	R3(i+1)	R4(i+1)
	Byte 3	B0(i+1)	B1(i+1)	B2(i+1)	B3(i+1)	B4(i+1)	G0(i+1)	G1(i+1)	G2(i+1)

The RGB 5:6:5 input format is processed to be displayed as RGB 5:6:5 format, compliant with the 16-bit mode of the LCD controller.

33.5.3 Clocks

The sensor master clock (ISI_MCK) can be generated either by the Advanced Power Management Controller (APMC) through a Programmable Clock output or by an external oscillator connected to the sensor.

None of the sensors embed a power management controller, so providing the clock by the APMC is a simple and efficient way to control power consumption of the system.

Care must be taken when programming the system clock. The ISI has two clock domains, the sensor master clock and the pixel clock provided by sensor. The two clock domains are not synchronized, but the sensor master clock must be faster than the pixel clock.

33.5.4 Preview Path

33.5.4.1 Scaling, Decimation (Subsampling)

This module resizes captured 8-bit color sensor images to fit the LCD display format. The resize module performs only downscaling. The same ratio is applied for both horizontal and vertical resize, then a fractional decimation algorithm is applied.

The decimation factor is a multiple of 1/16; values 0 to 15 are forbidden.

Table 33-8: Decimation Factor

Decimation Value	0–15	16	17	18	19	...	124	125	126	127
Decimation Factor	—	1	1.063	1.125	1.188	...	7.750	7.813	7.875	7.938

Table 33-9: Decimation and Scaler Offset Values

OUTPUT	INPUT	352 × 288	640 × 480	800 × 600	1280 × 1024	1600 × 1200	2048 × 1536
VGA 640 × 480	F	—	16	20	32	40	51
QVGA 320 × 240	F	16	32	40	64	80	102
CIF 352 × 288	F	16	26	33	56	66	85
QCIF 176 × 144	F	32	53	66	113	133	170

Example:

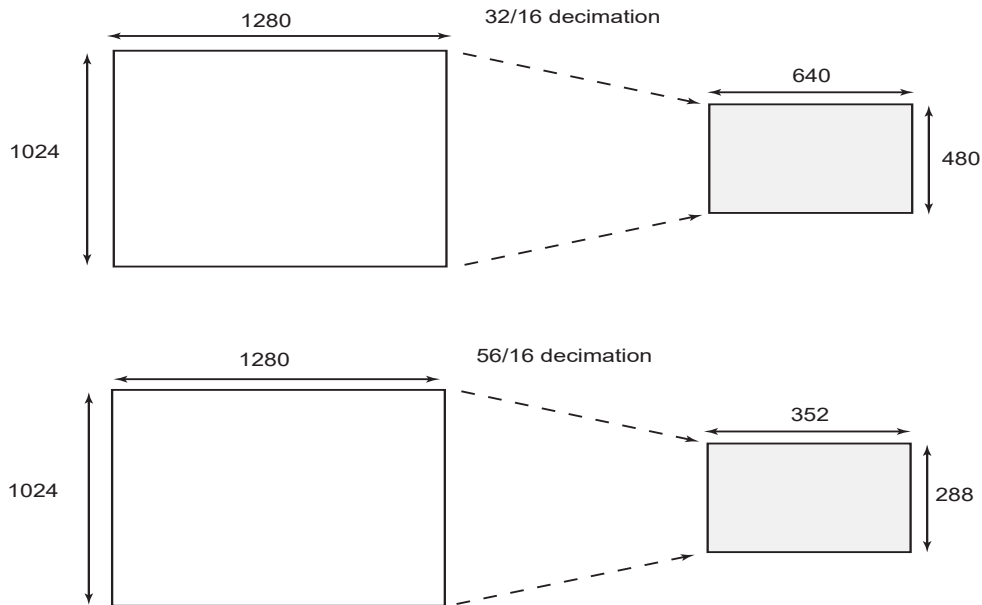
Input 1280 × 1024 Output = 640 × 480

Hratio = 1280/640 = 2

Vratio = 1024/480 = 2.1333

The decimation factor is 2 so 32/16.

Figure 33-5: Resize Examples



33.5.4.2 Color Space Conversion

This module converts YCrCb or YUV pixels to RGB color space. Clipping is performed to ensure that the samples value do not exceed the allowable range. The conversion matrix is defined below and is fully programmable:

$$\begin{bmatrix} R \\ G \\ B \end{bmatrix} = \begin{bmatrix} C_0 & 0 & C_1 \\ C_0 & -C_2 & -C_3 \\ C_0 & C_4 & 0 \end{bmatrix} \times \begin{bmatrix} Y - Y_{off} \\ C_b - C_{boff} \\ C_r - C_{roff} \end{bmatrix}$$

Example of programmable value to convert YCrCb to RGB:

$$\begin{cases} R = 1.164 \cdot (Y - 16) + 1.596 \cdot (C_r - 128) \\ G = 1.164 \cdot (Y - 16) - 0.813 \cdot (C_r - 128) - 0.392 \cdot (C_b - 128) \\ B = 1.164 \cdot (Y - 16) + 2.107 \cdot (C_b - 128) \end{cases}$$

An example of programmable value to convert from YUV to RGB:

$$\begin{cases} R = Y + 1.596 \cdot V \\ G = Y - 0.394 \cdot U - 0.436 \cdot V \\ B = Y + 2.032 \cdot U \end{cases}$$

33.5.4.3 Memory Interface

- RGB Mode

The preview datapath contains a data formatter that converts 8:8:8 pixel to RGB 5:6:5 format compliant with the 16-bit format of the LCD controller. In general, when converting from a color channel with more bits to one with fewer bits, the formatter module discards the lower-order bits.

For example, converting from RGB 8:8:8 to RGB 5:6:5, the formatter module discards the three LSBs from the red and blue channels, and two LSBs from the green channel.

- 12-bit Grayscale Mode

ISI_DATA[11:0] is the physical interface to the ISI. These bits are sampled and written to memory.

When 12-bit grayscale mode is enabled, two memory formats are supported:

ISI_CFG2.GS_MODE = 0: two pixels per word

ISI_CFG2.GS_MODE = 1: one pixel per word

The following tables illustrate the memory mapping for the two formats.

Table 33-10: Grayscale Memory Mapping Configuration for 12-bit Data (ISI_CFG2.GS_MODE = 0: two pixels per word)

31	30	29	28	27	26	25	24
Pixel 0 [11:4]							
23	22	21	20	19	18	17	16
Pixel 0 [3:0]				–	–	–	–
15	14	13	12	11	10	9	8
Pixel 1 [11:4]							
7	6	5	4	3	2	1	0
Pixel 1 [3:0]				–	–	–	–

Table 33-11: Grayscale Memory Mapping Configuration for 12-bit Data (ISI_CFG2.GS_MODE = 1: one pixel per word)

31	30	29	28	27	26	25	24
Pixel 0 [11:4]							
23	22	21	20	19	18	17	16
Pixel 0 [3:0]				–	–	–	–
15	14	13	12	11	10	9	8
–	–	–	–	–	–	–	–
7	6	5	4	3	2	1	0
–	–	–	–	–	–	–	–

- 8-bit Grayscale Mode

For 8-bit grayscale mode, ISI_DATA[7:0] on the 12-bit data bus is the physical interface to the ISI. These bits are sampled and written to memory.

To enable 8-bit grayscale mode, configure ISI_CFG2 as follows:

- Clear ISI_CFG2.GRAYSCALE.
- Clear ISI_CFG2.RGB_SWAP.

SAMA5D3 SERIES

- Clear ISI_CFG2.COL_SPACE.
- Configure the field ISI_CFG2.YCC_SWAP to value 0.
- Configure the field ISI_CFG2.IM_VSIZE with the vertical resolution of the image minus 1.
- Configure the field ISI_CFG2.IM_HSIZE with the horizontal resolution of the image divided by 2. The horizontal resolution must be a multiple of 2.

The codec datapath is used to capture the 8-bit grayscale image. Use the following configuration:

- Set ISI_DMA_C_CTRL.C_FETCH.
- Configure ISI_DMA_C_DSCR.C_DSCR with the descriptor address.
- Write a one to the bit ISI_DMA_CHER.C_CH_EN.

Table 33-12: Memory Mapping for 8-bit Grayscale Mode

31	30	29	28	27	26	25	24
Pixel 3							
23	22	21	20	19	18	17	16
Pixel 2							
15	14	13	12	11	10	9	8
Pixel 1							
7	6	5	4	3	2	1	0
Pixel 0							

33.5.4.4 FIFO and DMA Features

Both preview and codec datapaths contain FIFOs. These asynchronous buffers are used to safely transfer formatted pixels from the pixel clock domain to the AHB clock domain. A video arbiter is used to manage FIFO thresholds and triggers a relevant DMA request through the AHB master interface. Thus, depending on the FIFO state, a specified length burst is asserted. Regarding AHB master interface, it supports Scatter DMA mode through linked list operation. This mode of operation improves flexibility of image buffer location and allows the user to allocate two or more frame buffers. The destination frame buffers are defined by a series of Frame Buffer Descriptors (FBD). Each FBD controls the transfer of one entire frame and then optionally loads a further FBD to switch the DMA operation at another frame buffer address. The FBD is defined by a series of three words. The first one defines the current frame buffer address (named DMA_X_ADDR register), the second defines control information (named DMA_X_CTRL register) and the third defines the next descriptor address (named DMA_X_DSCR). DMA transfer mode with linked list support is available for both codec and preview datapath. The data to be transferred described by an FBD requires several burst accesses. In the following example, the use of two ping-pong frame buffers is described.

Example:

The first FBD, stored at address 0x00030000, defines the location of the first frame buffer. This address is programmed in the ISI user interface DMA_P_DSCR. To enable the descriptor fetch operation, the value 0x00000001 must be written to the DMA_P_CTRL register. LLI_0 and LLI_1 are the two descriptors of the linked list.

Destination address: frame buffer ID0 0x02A000 (LLI_0.DMA_P_ADDR)

Transfer 0 Control Information, fetch and writeback: 0x00000003 (LLI_0.DMA_P_CTRL)

Next FBD address: 0x00030010 (LLI_0.DMA_P_DSCR)

Second FBD, stored at address 0x00030010, defines the location of the second frame buffer.

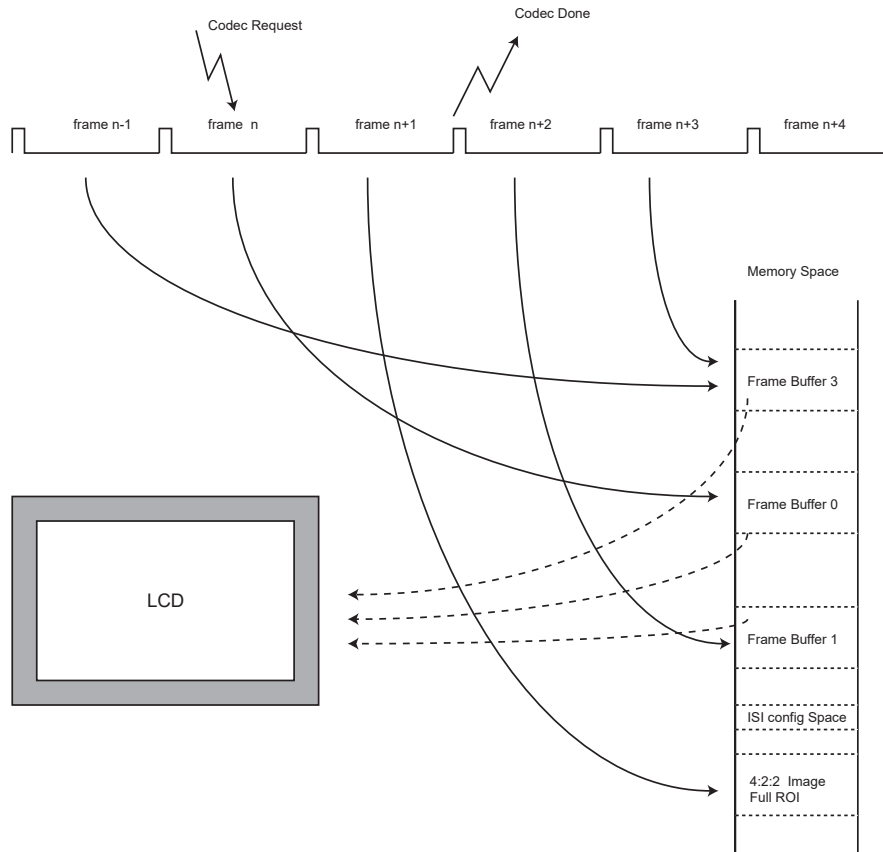
Destination address: frame buffer ID1 0x0003A000 (LLI_1.DMA_P_ADDR)

Transfer 1 Control information fetch and writeback: 0x00000003 (LLI_1.DMA_P_CTRL)

Next FBD address: 0x00030000, wrapping to first FBD (LLI_1.DMA_P_DSCR)

Using this technique, several frame buffers can be configured through the linked list. [Figure 33-6](#) illustrates a typical three frame buffer application. Frame n is mapped to frame buffer 0, frame n+1 is mapped to frame buffer 1, frame n+2 is mapped to frame buffer 2, further frames wrap. A codec request occurs, and the full-size 4:2:2 encoded frame is stored in a dedicated memory space.

Figure 33-6: Three Frame Buffers Application and Memory Mapping



33.5.5 Codec Path

33.5.5.1 Color Space Conversion

Depending on user selection, this module can be bypassed so that input YCrCb stream is directly connected to the format converter module. If the RGB input stream is selected, this module converts RGB to YCrCb color space with the formulas given below:

$$\begin{bmatrix} Y \\ C_r \\ C_b \end{bmatrix} = \begin{bmatrix} C_0 & C_1 & C_2 \\ C_3 & -C_4 & -C_5 \\ -C_6 & -C_7 & C_8 \end{bmatrix} \times \begin{bmatrix} R \\ G \\ B \end{bmatrix} + \begin{bmatrix} Y_{off} \\ Cr_{off} \\ Cb_{off} \end{bmatrix}$$

An example of coefficients is given below:

$$\begin{cases} Y = 0.257 \cdot R + 0.504 \cdot G + 0.098 \cdot B + 16 \\ C_r = 0.439 \cdot R - 0.368 \cdot G - 0.071 \cdot B + 128 \\ C_b = -0.148 \cdot R - 0.291 \cdot G + 0.439 \cdot B + 128 \end{cases}$$

33.5.5.2 Memory Interface

Dedicated FIFOs are used to support packed memory mapping. YCrCb pixel components are sent in a single 32-bit word in a contiguous space (packed). Data is stored in the order of natural scan lines. Planar mode is not supported.

33.5.5.3 DMA Features

Like preview datapath, codec datapath DMA mode uses linked list operation.

SAMA5D3 SERIES

33.6 Image Sensor Interface (ISI) User Interface

Table 33-13: Register Mapping

Offset	Register	Name	Access	Reset Value
0x00	ISI Configuration 1 Register	ISI_CFG1	Read/Write	0x00000000
0x04	ISI Configuration 2 Register	ISI_CFG2	Read/Write	0x00000000
0x08	ISI Preview Size Register	ISI_PSIZE	Read/Write	0x00000000
0x0C	ISI Preview Decimation Factor Register	ISI_PDECF	Read/Write	0x00000010
0x10	ISI Color Space Conversion YCrCb To RGB Set 0 Register	ISI_Y2R_SET0	Read/Write	0x6832CC95
0x14	ISI Color Space Conversion YCrCb To RGB Set 1 Register	ISI_Y2R_SET1	Read/Write	0x00007102
0x18	ISI Color Space Conversion RGB To YCrCb Set 0 Register	ISI_R2Y_SET0	Read/Write	0x01324145
0x1C	ISI Color Space Conversion RGB To YCrCb Set 1 Register	ISI_R2Y_SET1	Read/Write	0x01245E38
0x20	ISI Color Space Conversion RGB To YCrCb Set 2 Register	ISI_R2Y_SET2	Read/Write	0x01384A4B
0x24	ISI Control Register	ISI_CR	Write-only	–
0x28	ISI Status Register	ISI_SR	Read-only	0x00000000
0x2C	ISI Interrupt Enable Register	ISI_IER	Write-only	–
0x30	ISI Interrupt Disable Register	ISI_IDR	Write-only	–
0x34	ISI Interrupt Mask Register	ISI_IMR	Read-only	0x00000000
0x38	DMA Channel Enable Register	ISI_DMA_CHER	Write-only	–
0x3C	DMA Channel Disable Register	ISI_DMA_CHDR	Write-only	–
0x40	DMA Channel Status Register	ISI_DMA_CHSR	Read-only	0x00000000
0x44	DMA Preview Base Address Register	ISI_DMA_P_ADDR	Read/Write	0x00000000
0x48	DMA Preview Control Register	ISI_DMA_P_CTRL	Read/Write	0x00000000
0x4C	DMA Preview Descriptor Address Register	ISI_DMA_P_DSCR	Read/Write	0x00000000
0x50	DMA Codec Base Address Register	ISI_DMA_C_ADDR	Read/Write	0x00000000
0x54	DMA Codec Control Register	ISI_DMA_C_CTRL	Read/Write	0x00000000
0x58	DMA Codec Descriptor Address Register	ISI_DMA_C_DSCR	Read/Write	0x00000000
0x5C–0xE0	Reserved	–	–	–
0xE4	Write Protection Mode Register	ISI_WPMR	Read/Write	0x00000000
0xE8	Write Protection Status Register	ISI_WPSR	Read-only	0x00000000
0xEC–0xF8	Reserved	–	–	–
0xFC	Reserved	–	–	–

Note: Several parts of the ISI controller use the pixel clock provided by the image sensor (ISI_PCK). Thus the user must first program the image sensor to provide this clock (ISI_PCK) before programming the Image Sensor Controller.

33.6.1 ISI Configuration 1 Register

Name: ISI_CFG1

Address: 0xF0034000

Access: Read/Write

31	30	29	28	27	26	25	24
SFD							
23	22	21	20	19	18	17	16
SLD							
15	14	13	12	11	10	9	8
–	THMASK		FULL	DISCR	FRATE		
7	6	5	4	3	2	1	0
CRC_SYNC	EMB_SYNC	–	PIXCLK_POL	VSYNC_POL	HSYNC_POL	–	–

HSYNC_POL: Horizontal Synchronization Polarity

0: HSYNC active high.

1: HSYNC active low.

VSYNC_POL: Vertical Synchronization Polarity

0: VSYNC active high.

1: VSYNC active low.

PIXCLK_POL: Pixel Clock Polarity

0: Data is sampled on rising edge of pixel clock.

1: Data is sampled on falling edge of pixel clock.

EMB_SYNC: Embedded Synchronization

0: Synchronization by HSYNC, VSYNC.

1: Synchronization by embedded synchronization sequence SAV/EAV.

CRC_SYNC: Embedded Synchronization Correction

0: No CRC correction is performed on embedded synchronization.

1: CRC correction is performed. If the correction is not possible, the current frame is discarded and the CRC_ERR bit is set in the ISI_SR.

FRATE: Frame Rate [0..7]

0: All the frames are captured, else one frame every FRATE + 1 is captured.

DISCR: Disable Codec Request

0: Codec datapath DMA interface requires a request to restart.

1: Codec datapath DMA automatically restarts.

FULL: Full Mode is Allowed

0: The codec frame is transferred to memory when an available frame slot is detected.

1: Both preview and codec DMA channels are operating simultaneously.

SAMA5D3 SERIES

THMASK: Threshold Mask

Value	Name	Description
0	BEATS_4	Only 4 beats AHB burst allowed
1	BEATS_8	Only 4 and 8 beats AHB burst allowed
2	BEATS_16	4, 8 and 16 beats AHB burst allowed

SLD: Start of Line Delay

SLD pixel clock periods to wait before the beginning of a line.

SFD: Start of Frame Delay

SFD lines are skipped at the beginning of the frame.

33.6.2 ISI Configuration 2 Register

Name: ISI_CFG2

Address: 0xF0034004

Access: Read/Write

31	30	29	28	27	26	25	24
RGB_CFG		YCC_SWAP		–	IM_HSIZE		
23	22	21	20	19	18	17	16
IM_HSIZE							
15	14	13	12	11	10	9	8
COL_SPACE	RGB_SWAP	GRAYSCALE	RGB_MODE	GS_MODE	IM_VSIZE		
7	6	5	4	3	2	1	0
IM_VSIZE							

IM_VSIZE: Vertical Size of the Image Sensor [0..2047]

IM_VSIZE = Vertical size - 1

GS_MODE: Grayscale Pixel Format Mode

0: 2 pixels per word.

1: 1 pixel per word.

RGB_MODE: RGB Input Mode

0: RGB 8:8:8 24 bits.

1: RGB 5:6:5 16 bits.

GRAYSCALE: Grayscale Mode Format Enable

0: Grayscale mode is disabled.

1: Input image is assumed to be grayscale-coded.

RGB_SWAP: RGB Format Swap Mode

0: D7 → R7.

1: D0 → R7.

The RGB_SWAP has no effect when grayscale mode is enabled.

COL_SPACE: Color Space for the Image Data

0: YCbCr.

1: RGB.

IM_HSIZE: Horizontal Size of the Image Sensor [0..2047]

If 8-bit grayscale mode is enabled, IM_HSIZE = (Horizontal size/2) - 1.

Else IM_HSIZE = Horizontal size - 1.

SAMA5D3 SERIES

YCC_SWAP: YCrCb Format Swap Mode

Defines the YCC image data.

Value	Name	Description
0	DEFAULT	Byte 0 Cb(i) Byte 1 Y(i) Byte 2 Cr(i) Byte 3 Y(i+1)
1	MODE1	Byte 0 Cr(i) Byte 1 Y(i) Byte 2 Cb(i) Byte 3 Y(i+1)
2	MODE2	Byte 0 Y(i) Byte 1 Cb(i) Byte 2 Y(i+1) Byte 3 Cr(i)
3	MODE3	Byte 0 Y(i) Byte 1 Cr(i) Byte 2 Y(i+1) Byte 3 Cb(i)

RGB_CFG: RGB Pixel Mapping Configuration

Defines RGB pattern when RGB_MODE is set to 1.

Value	Name	Description
0	DEFAULT	Byte 0 R/G(MSB) Byte 1 G(LSB)/B Byte 2 R/G(MSB) Byte 3 G(LSB)/B
1	MODE1	Byte 0 B/G(MSB) Byte 1 G(LSB)/R Byte 2 B/G(MSB) Byte 3 G(LSB)/R
2	MODE2	Byte 0 G(LSB)/R Byte 1 B/G(MSB) Byte 2 G(LSB)/R Byte 3 B/G(MSB)
3	MODE3	Byte 0 G(LSB)/B Byte 1 R/G(MSB) Byte 2 G(LSB)/B Byte 3 R/G(MSB)

If RGB_MODE is set to RGB 8:8:8, then RGB_CFG = 0 implies RGB color sequence, else it implies BGR color sequence.

33.6.3 ISI Preview Size Register

Name: ISI_PSIZE

Address: 0xF0034008

Access: Read/Write

31	30	29	28	27	26	25	24
-	-	-	-	-	-	PREV_HSIZE	
23	22	21	20	19	18	17	16
PREV_HSIZE							
15	14	13	12	11	10	9	8
-	-	-	-	-	-	PREV_VSIZE	
7	6	5	4	3	2	1	0
PREV_VSIZE							

PREV_VSIZE: Vertical Size for the Preview Path

PREV_VSIZE = Vertical Preview size - 1 (480 max only in RGB mode).

PREV_HSIZE: Horizontal Size for the Preview Path

PREV_HSIZE = Horizontal Preview size - 1 (640 max only in RGB mode).

SAMA5D3 SERIES

33.6.4 ISI Preview Decimation Factor Register

Name: ISI_PDECF

Address: 0xF003400C

Access: Read/Write

31	30	29	28	27	26	25	24
–	–	–	–	–	–	–	–
23	22	21	20	19	18	17	16
–	–	–	–	–	–	–	–
15	14	13	12	11	10	9	8
–	–	–	–	–	–	–	–
7	6	5	4	3	2	1	0
DEC_FACTOR							

DEC_FACTOR: Decimation Factor

DEC_FACTOR is 8-bit width, range is from 16 to 255. Values from 0 to 16 do not perform any decimation.

33.6.5 ISI Color Space Conversion YCrCb to RGB Set 0 Register

Name: ISI_Y2R_SET0

Address: 0xF0034010

Access: Read/Write

31	30	29	28	27	26	25	24
C3							
23	22	21	20	19	18	17	16
C2							
15	14	13	12	11	10	9	8
C1							
7	6	5	4	3	2	1	0
C0							

C0: Color Space Conversion Matrix Coefficient C0

C0 element default step is 1/128, ranges from 0 to 1.9921875.

C1: Color Space Conversion Matrix Coefficient C1

C1 element default step is 1/128, ranges from 0 to 1.9921875.

C2: Color Space Conversion Matrix Coefficient C2

C2 element default step is 1/128, ranges from 0 to 1.9921875.

C3: Color Space Conversion Matrix Coefficient C3

C3 element default step is 1/128, ranges from 0 to 1.9921875.

SAMA5D3 SERIES

33.6.6 ISI Color Space Conversion YCrCb to RGB Set 1 Register

Name: ISI_Y2R_SET1

Address: 0xF0034014

Access: Read/Write

31	30	29	28	27	26	25	24
–	–	–	–	–	–	–	–
23	22	21	20	19	18	17	16
–	–	–	–	–	–	–	–
15	14	13	12	11	10	9	8
–	Cboff	Croff	Yoff	–	–	–	C4
7	6	5	4	3	2	1	0
C4							

C4: Color Space Conversion Matrix Coefficient C4

C4 element default step is 1/128, ranges from 0 to 3.9921875.

Yoff: Color Space Conversion Luminance Default Offset

0: No offset.

1: Offset = 128.

Croff: Color Space Conversion Red Chrominance Default Offset

0: No offset.

1: Offset = 16.

Cboff: Color Space Conversion Blue Chrominance Default Offset

0: No offset.

1: Offset = 16.

33.6.7 ISI Color Space Conversion RGB to YCrCb Set 0 Register

Name: ISI_R2Y_SET0

Address: 0xF0034018

Access: Read/Write

31	30	29	28	27	26	25	24
–	–	–	–	–	–	–	Roff
23	22	21	20	19	18	17	16
–	C2						
15	14	13	12	11	10	9	8
–	C1						
7	6	5	4	3	2	1	0
–	C0						

C0: Color Space Conversion Matrix Coefficient C0

C0 element default step is 1/256, from 0 to 0.49609375.

C1: Color Space Conversion Matrix Coefficient C1

C1 element default step is 1/128, from 0 to 0.9921875.

C2: Color Space Conversion Matrix Coefficient C2

C2 element default step is 1/512, from 0 to 0.2480468875.

Roff: Color Space Conversion Red Component Offset

0: No offset

1: Offset = 16

SAMA5D3 SERIES

33.6.8 ISI Color Space Conversion RGB to YCrCb Set 1 Register

Name: ISI_R2Y_SET1

Address: 0xF003401C

Access: Read/Write

31	30	29	28	27	26	25	24
–	–	–	–	–	–	–	Goff
23	22	21	20	19	18	17	16
–	C5						
15	14	13	12	11	10	9	8
–	C4						
7	6	5	4	3	2	1	0
–	C3						

C3: Color Space Conversion Matrix Coefficient C3

C0 element default step is 1/128, ranges from 0 to 0.9921875.

C4: Color Space Conversion Matrix Coefficient C4

C1 element default step is 1/256, ranges from 0 to 0.49609375.

C5: Color Space Conversion Matrix Coefficient C5

C1 element default step is 1/512, ranges from 0 to 0.2480468875.

Goff: Color Space Conversion Green Component Offset

0: No offset.

1: Offset = 128.

33.6.9 ISI Color Space Conversion RGB to YCrCb Set 2 Register

Name: ISI_R2Y_SET2

Address: 0xF0034020

Access: Read/Write

31	30	29	28	27	26	25	24
–	–	–	–	–	–	–	Boff
23	22	21	20	19	18	17	16
–	C8						
15	14	13	12	11	10	9	8
–	C7						
7	6	5	4	3	2	1	0
–	C6						

C6: Color Space Conversion Matrix Coefficient C6

C6 element default step is 1/512, ranges from 0 to 0.2480468875.

C7: Color Space Conversion Matrix Coefficient C7

C7 element default step is 1/256, ranges from 0 to 0.49609375.

C8: Color Space Conversion Matrix Coefficient C8

C8 element default step is 1/128, ranges from 0 to 0.9921875.

Boff: Color Space Conversion Blue Component Offset

0: No offset.

1: Offset = 128.

SAMA5D3 SERIES

33.6.10 ISI Control Register

Name: ISI_CR

Address: 0xF0034024

Access: Write-only

31	30	29	28	27	26	25	24
–	–	–	–	–	–	–	–
23	22	21	20	19	18	17	16
–	–	–	–	–	–	–	–
15	14	13	12	11	10	9	8
–	–	–	–	–	–	–	ISI_CDC
7	6	5	4	3	2	1	0
–	–	–	–	–	ISI_SRST	ISI_DIS	ISI_EN

ISI_EN: ISI Module Enable Request

Write a one to this bit to enable the module. Software must poll the ENABLE bit in the ISI_SR to verify that the command has successfully completed.

ISI_DIS: ISI Module Disable Request

Write a one to this bit to disable the module. If both ISI_EN and ISI_DIS are asserted at the same time, the disable request is not taken into account. Software must poll the DIS_DONE bit in the ISI_SR to verify that the command has successfully completed.

ISI_SRST: ISI Software Reset Request

Write a one to this bit to request a software reset of the module. Software must poll the SRST bit in the ISI_SR to verify that the software request command has terminated.

ISI_CDC: ISI Codec Request

Write a one to this bit to enable the codec datapath and capture a full resolution frame. A new request cannot be taken into account while CDC_PND bit is active in the ISI_SR.

33.6.11 ISI Status Register

Name: ISI_SR

Address: 0xF0034028

Access: Read-only

31	30	29	28	27	26	25	24
–	–	–	–	FR_OVR	CRC_ERR	C_OVR	P_OVR
23	22	21	20	19	18	17	16
–	–	–	–	SIP	–	CXFR_DONE	PXFR_DONE
15	14	13	12	11	10	9	8
–	–	–	–	–	VSYNC	–	CDC_PND
7	6	5	4	3	2	1	0
–	–	–	–	–	SRST	DIS_DONE	ENABLE

ENABLE: Module Enable

0: Module is disabled.

1: Module is enabled.

DIS_DONE: Module Disable Request has Terminated (cleared on read)

0: Indicates that the request is not completed (if a request was issued).

1: Disable request has completed. This flag is reset after a read operation.

SRST: Module Software Reset Request has Terminated (cleared on read)

0: Indicates that the request is not completed (if a request was issued).

1: Software reset request has completed. This flag is reset after a read operation.

CDC_PND: Pending Codec Request

0: Indicates that no codec request is pending

1: Indicates that the request has been taken into account but cannot be serviced within the current frame. The operation is postponed to the next frame.

VSYNC: Vertical Synchronization (cleared on read)

0: Indicates that the vertical synchronization has not been detected since the last read of the ISI_SR.

1: Indicates that a vertical synchronization has been detected since the last read of the ISI_SR.

PXFR_DONE: Preview DMA Transfer has Terminated (cleared on read)

0: Preview transfer done not detected.

1: Preview transfer done detected. When set, this bit indicates that the data transfer on the preview channel has completed since the last read of ISI_SR.

CXFR_DONE: Codec DMA Transfer has Terminated (cleared on read)

0: Codec transfer done not detected.

1: Codec transfer done detected. When set, this bit indicates that the data transfer on the codec channel has completed since the last read of ISI_SR.

SAMA5D3 SERIES

SIP: Synchronization in Progress

When the status of the preview or codec DMA channel is modified, a minimum amount of time is required to perform the clock domain synchronization.

0: The clock domain synchronization process is terminated.

1: This bit is set when the clock domain synchronization operation occurs. No modification of the channel status is allowed when this bit is set, to ensure data integrity.

P_OVR: Preview Datapath Overflow (cleared on read)

0: No overflow

1: An overrun condition has occurred in input FIFO on the preview path. The overrun happens when the FIFO is full and an attempt is made to write a new sample to the FIFO since the last read of ISI_SR.

C_OVR: Codec Datapath Overflow (cleared on read)

0: No overflow

1: An overrun condition has occurred in input FIFO on the codec path. The overrun happens when the FIFO is full and an attempt is made to write a new sample to the FIFO since the last read of ISI_SR.

CRC_ERR: CRC Synchronization Error (cleared on read)

0: No CRC error in the embedded synchronization frame (SAV/EAV)

1: Embedded Synchronization Correction is enabled (CRC_SYNC bit is set) in the ISI_CR and an error has been detected and not corrected since the last read of ISI_SR. The frame is discarded and the ISI waits for a new one.

FR_OVR: Frame Rate Overrun (cleared on read)

0: No frame overrun

1: Frame overrun. The current frame is being skipped because a vsync signal has been detected while flushing FIFOs since the last read of ISI_SR.

33.6.12 ISI Interrupt Enable Register

Name: ISI_IER

Address: 0xF003402C

Access: Read/Write

31	30	29	28	27	26	25	24
–	–	–	–	FR_OVR	CRC_ERR	C_OVR	P_OVR
23	22	21	20	19	18	17	16
–	–	–	–	–	–	CXFR_DONE	PXFR_DONE
15	14	13	12	11	10	9	8
–	–	–	–	–	VSYNC	–	–
7	6	5	4	3	2	1	0
–	–	–	–	–	SRST	DIS_DONE	–

DIS_DONE: Disable Done Interrupt Enable

0: No effect.

1: Enables the corresponding interrupt.

SRST: Software Reset Interrupt Enable

0: No effect.

1: Enables the corresponding interrupt.

VSYNC: Vertical Synchronization Interrupt Enable

0: No effect.

1: Enables the corresponding interrupt.

PXFR_DONE: Preview DMA Transfer Done Interrupt Enable

0: No effect.

1: Enables the corresponding interrupt.

CXFR_DONE: Codec DMA Transfer Done Interrupt Enable

0: No effect.

1: Enables the corresponding interrupt.

P_OVR: Preview Datapath Overflow Interrupt Enable

0: No effect.

1: Enables the corresponding interrupt.

C_OVR: Codec Datapath Overflow Interrupt Enable

0: No effect.

1: Enables the corresponding interrupt.

SAMA5D3 SERIES

CRC_ERR: Embedded Synchronization CRC Error Interrupt Enable

0: No effect.

1: Enables the corresponding interrupt.

FR_OVR: Frame Rate Overflow Interrupt Enable

0: No effect.

1: Enables the corresponding interrupt.

33.6.13 ISI Interrupt Disable Register

Name: ISI_IDR

Address: 0xF0034030

Access: Read/Write

31	30	29	28	27	26	25	24
–	–	–	–	FR_OVR	CRC_ERR	C_OVR	P_OVR
23	22	21	20	19	18	17	16
–	–	–	–	–	–	CXFR_DONE	PXFR_DONE
15	14	13	12	11	10	9	8
–	–	–	–	–	VSYNC	–	–
7	6	5	4	3	2	1	0
–	–	–	–	–	SRST	DIS_DONE	–

DIS_DONE: Disable Done Interrupt Disable

0: No effect.

1: Disables the corresponding interrupt.

SRST: Software Reset Interrupt Disable

0: No effect.

1: Disables the corresponding interrupt.

VSYNC: Vertical Synchronization Interrupt Disable

0: No effect.

1: Disables the corresponding interrupt.

PXFR_DONE: Preview DMA Transfer Done Interrupt Disable

0: No effect.

1: Disables the corresponding interrupt.

CXFR_DONE: Codec DMA Transfer Done Interrupt Disable

0: No effect.

1: Disables the corresponding interrupt.

P_OVR: Preview Datapath Overflow Interrupt Disable

0: No effect.

1: Disables the corresponding interrupt.

C_OVR: Codec Datapath Overflow Interrupt Disable

0: No effect.

1: Disables the corresponding interrupt.

CRC_ERR: Embedded Synchronization CRC Error Interrupt Disable

0: No effect.

1: Disables the corresponding interrupt.

FR_OVR: Frame Rate Overflow Interrupt Disable

0: No effect.

1: Disables the corresponding interrupt.

SAMA5D3 SERIES

33.6.14 ISI Interrupt Mask Register

Name: ISI_IMR

Address: 0xF0034034

Access: Read/Write

31	30	29	28	27	26	25	24
–	–	–	–	FR_OVR	CRC_ERR	C_OVR	P_OVR
23	22	21	20	19	18	17	16
–	–	–	–	–	–	CXFR_DONE	PXFR_DONE
15	14	13	12	11	10	9	8
–	–	–	–	–	VSYNC	–	–
7	6	5	4	3	2	1	0
–	–	–	–	–	SRST	DIS_DONE	–

DIS_DONE: Module Disable Operation Completed

0: The Module Disable Operation Completed interrupt is disabled.

1: The Module Disable Operation Completed interrupt is enabled.

SRST: Software Reset Completed

0: The Software Reset Completed interrupt is disabled.

1: The Software Reset Completed interrupt is enabled.

VSYNC: Vertical Synchronization

0: The Vertical Synchronization interrupt is disabled.

1: The Vertical Synchronization interrupt is enabled.

PXFR_DONE: Preview DMA Transfer Completed

0: The Preview DMA Transfer Completed interrupt is disabled.

1: The Preview DMA Transfer Completed interrupt is enabled.

CXFR_DONE: Codec DMA Transfer Completed

0: The Codec DMA Transfer Completed interrupt is disabled.

1: The Codec DMA Transfer Completed interrupt is enabled.

P_OVR: Preview FIFO Overflow

0: The Preview FIFO Overflow interrupt is disabled.

1: The Preview FIFO Overflow interrupt is enabled.

C_OVR: Codec FIFO Overflow

0: The Codec FIFO Overflow interrupt is disabled.

1: The Codec FIFO Overflow interrupt is enabled.

CRC_ERR: CRC Synchronization Error

0: The CRC Synchronization Error interrupt is disabled.

1: The CRC Synchronization Error interrupt is enabled.

FR_OVR: Frame Rate Overrun

0: The Frame Rate Overrun interrupt is disabled.

1: The Frame Rate Overrun is enabled.

33.6.15 DMA Channel Enable Register

Name: ISI_DMA_CHER

Address: 0xF0034038

Access: Write-only

31	30	29	28	27	26	25	24
–	–	–	–	–	–	–	–
23	22	21	20	19	18	17	16
–	–	–	–	–	–	–	–
15	14	13	12	11	10	9	8
–	–	–	–	–	–	–	–
7	6	5	4	3	2	1	0
–	–	–	–	–	–	C_CH_EN	P_CH_EN

P_CH_EN: Preview Channel Enable

Write a one to this bit to enable the preview DMA channel.

C_CH_EN: Codec Channel Enable

Write a one to this bit to enable the codec DMA channel.

SAMA5D3 SERIES

33.6.16 DMA Channel Disable Register

Name: ISI_DMA_CHDR

Address: 0xF003403C

Access: Read/Write

31	30	29	28	27	26	25	24
–	–	–	–	–	–	–	–
23	22	21	20	19	18	17	16
–	–	–	–	–	–	–	–
15	14	13	12	11	10	9	8
–	–	–	–	–	–	–	–
7	6	5	4	3	2	1	0
–	–	–	–	–	–	C_CH_DIS	P_CH_DIS

P_CH_DIS: Preview Channel Disable Request

0: No effect.

1: Disables the channel. Poll P_CH_S in DMA_CHSR to verify that the preview channel status has been successfully modified.

C_CH_DIS: Codec Channel Disable Request

0: No effect.

1: Disables the channel. Poll C_CH_S in DMA_CHSR to verify that the codec channel status has been successfully modified.

33.6.17 DMA Channel Status Register

Name: ISI_DMA_CHSR

Address: 0xF0034040

Access: Read-only

31	30	29	28	27	26	25	24
–	–	–	–	–	–	–	–
23	22	21	20	19	18	17	16
–	–	–	–	–	–	–	–
15	14	13	12	11	10	9	8
–	–	–	–	–	–	–	–
7	6	5	4	3	2	1	0
–	–	–	–	–	–	C_CH_S	P_CH_S

P_CH_S: Preview DMA Channel Status

0: Indicates that the Preview DMA channel is disabled.

1: Indicates that the Preview DMA channel is enabled.

C_CH_S: Code DMA Channel Status

0: Indicates that the Codec DMA channel is disabled.

1: Indicates that the Codec DMA channel is enabled.

SAMA5D3 SERIES

33.6.18 DMA Preview Base Address Register

Name: ISI_DMA_P_ADDR

Address: 0xF0034044

Access: Read/Write

31	30	29	28	27	26	25	24
P_ADDR							
23	22	21	20	19	18	17	16
P_ADDR							
15	14	13	12	11	10	9	8
P_ADDR							
7	6	5	4	3	2	1	0
P_ADDR						-	-

P_ADDR: Preview Image Base Address

This address is word-aligned.

33.6.19 DMA Preview Control Register

Name: ISI_DMA_P_CTRL

Address: 0xF0034048

Access: Read/Write

31	30	29	28	27	26	25	24
–	–	–	–	–	–	–	–
23	22	21	20	19	18	17	16
–	–	–	–	–	–	–	–
15	14	13	12	11	10	9	8
–	–	–	–	–	–	–	–
7	6	5	4	3	2	1	0
–	–	–	–	P_DONE	P_IEN	P_WB	P_FETCH

P_FETCH: Descriptor Fetch Control Bit

0: Preview channel fetch operation is disabled.

1: Preview channel fetch operation is enabled.

P_WB: Descriptor Writeback Control Bit

0: Preview channel writeback operation is disabled.

1: Preview channel writeback operation is enabled.

P_IEN: Transfer Done Flag Control

0: Preview transfer done flag generation is enabled.

1: Preview transfer done flag generation is disabled.

P_DONE: Preview Transfer Done

This bit is only updated in the memory.

0: The transfer related to this descriptor has not been performed.

1: The transfer related to this descriptor has completed. This bit is updated in memory at the end of the transfer, when writeback operation is enabled.

SAMA5D3 SERIES

33.6.20 DMA Preview Descriptor Address Register

Name: ISI_DMA_P_DSCR

Address: 0xF003404C

Access: Read/Write

31	30	29	28	27	26	25	24
P_DSCR							
23	22	21	20	19	18	17	16
P_DSCR							
15	14	13	12	11	10	9	8
P_DSCR							
7	6	5	4	3	2	1	0
P_DSCR						-	-

P_DSCR: Preview Descriptor Base Address

This address is word-aligned.

33.6.21 DMA Codec Base Address Register

Name: ISI_DMA_C_ADDR

Address: 0xF0034050

Access: Read/Write

31	30	29	28	27	26	25	24
C_ADDR							
23	22	21	20	19	18	17	16
C_ADDR							
15	14	13	12	11	10	9	8
C_ADDR							
7	6	5	4	3	2	1	0
C_ADDR						-	-

C_ADDR: Codec Image Base Address

This address is word-aligned.

SAMA5D3 SERIES

33.6.22 DMA Codec Control Register

Name: ISI_DMA_C_CTRL

Address: 0xF0034054

Access: Read/Write

31	30	29	28	27	26	25	24
–	–	–	–	–	–	–	–
23	22	21	20	19	18	17	16
–	–	–	–	–	–	–	–
15	14	13	12	11	10	9	8
–	–	–	–	–	–	–	–
7	6	5	4	3	2	1	0
–	–	–	–	C_DONE	C_IEN	C_WB	C_FETCH

C_FETCH: Descriptor Fetch Control Bit

0: Codec channel fetch operation is disabled.

1: Codec channel fetch operation is enabled.

C_WB: Descriptor Writeback Control Bit

0: Codec channel writeback operation is disabled.

1: Codec channel writeback operation is enabled.

C_IEN: Transfer Done Flag Control

0: Codec transfer done flag generation is enabled.

1: Codec transfer done flag generation is disabled.

C_DONE: Codec Transfer Done

This bit is only updated in the memory.

0: The transfer related to this descriptor has not been performed.

1: The transfer related to this descriptor has completed. This bit is updated in memory at the end of the transfer when writeback operation is enabled.

33.6.23 DMA Codec Descriptor Address Register

Name: ISI_DMA_C_DSCR

Address: 0xF0034058

Access: Read/Write

31	30	29	28	27	26	25	24
C_DSCR							
23	22	21	20	19	18	17	16
C_DSCR							
15	14	13	12	11	10	9	8
C_DSCR							
7	6	5	4	3	2	1	0
C_DSCR						-	-

C_DSCR: Codec Descriptor Base Address

This address is word-aligned.

SAMA5D3 SERIES

33.6.24 ISI Write Protection Mode Register

Name: ISI_WPMR

Address: 0xF00340E4

Access: Read/Write

31	30	29	28	27	26	25	24
WPKEY							
23	22	21	20	19	18	17	16
WPKEY							
15	14	13	12	11	10	9	8
WPKEY							
7	6	5	4	3	2	1	0
–	–	–	–	–	–	–	WPEN

WPEN: Write Protection Enable

0: Disables the write protection if WPKEY corresponds to 0x495349 (“ISI” in ASCII).

1: Enables the write protection if WPKEY corresponds to 0x495349 (“ISI” in ASCII).

WPKEY: Write Protection Key Password

Value	Name	Description
0x495349	PASSWD	Writing any other value in this field aborts the write operation of the WPEN bit. Always reads as 0.

33.6.25 ISI Write Protection Status Register

Name: ISI_WPSR

Address: 0xF00340E8

Access: Read/Write

31	30	29	28	27	26	25	24
–	–	–	–	–	–	–	–
23	22	21	20	19	18	17	16
WPVSR							
15	14	13	12	11	10	9	8
WPVSR							
7	6	5	4	3	2	1	0
–	–	–	–	–	–	–	WPVS

WPVS: Write Protection Violation Status

Value	Description
0	No write protection violation occurred since the last read of ISI_WPSR.
1	A write protection violation has occurred since the last read of the ISI_WPSR. If this violation is an unauthorized attempt to write a protected register, the associated violation is reported into field WPVSR.

WPVSR: Write Protection Violation Source

Value	Description
0	No Write Protection Violation occurred since the last read of this register (ISI_WPSR).
1	Write access in ISI_CFG1 while Write Protection was enabled (since the last read).
2	Write access in ISI_CFG2 while Write Protection was enabled (since the last read).
3	Write access in ISI_PSIZE while Write Protection was enabled (since the last read).
4	Write access in ISI_PDECF while Write Protection was enabled (since the last read).
5	Write access in ISI_Y2R_SET0 while Write Protection was enabled (since the last read).
6	Write access in ISI_Y2R_SET1 while Write Protection was enabled (since the last read).
7	Write access in ISI_R2Y_SET0 while Write Protection was enabled (since the last read).
8	Write access in ISI_R2Y_SET1 while Write Protection was enabled (since the last read).
9	Write access in ISI_R2Y_SET2 while Write Protection was enabled (since the last read).

34. USB High Speed Device Port (UDPHS)

34.1 Description

The USB High Speed Device Port (UDPHS) is compliant with the Universal Serial Bus (USB), rev 2.0 High Speed device specification.

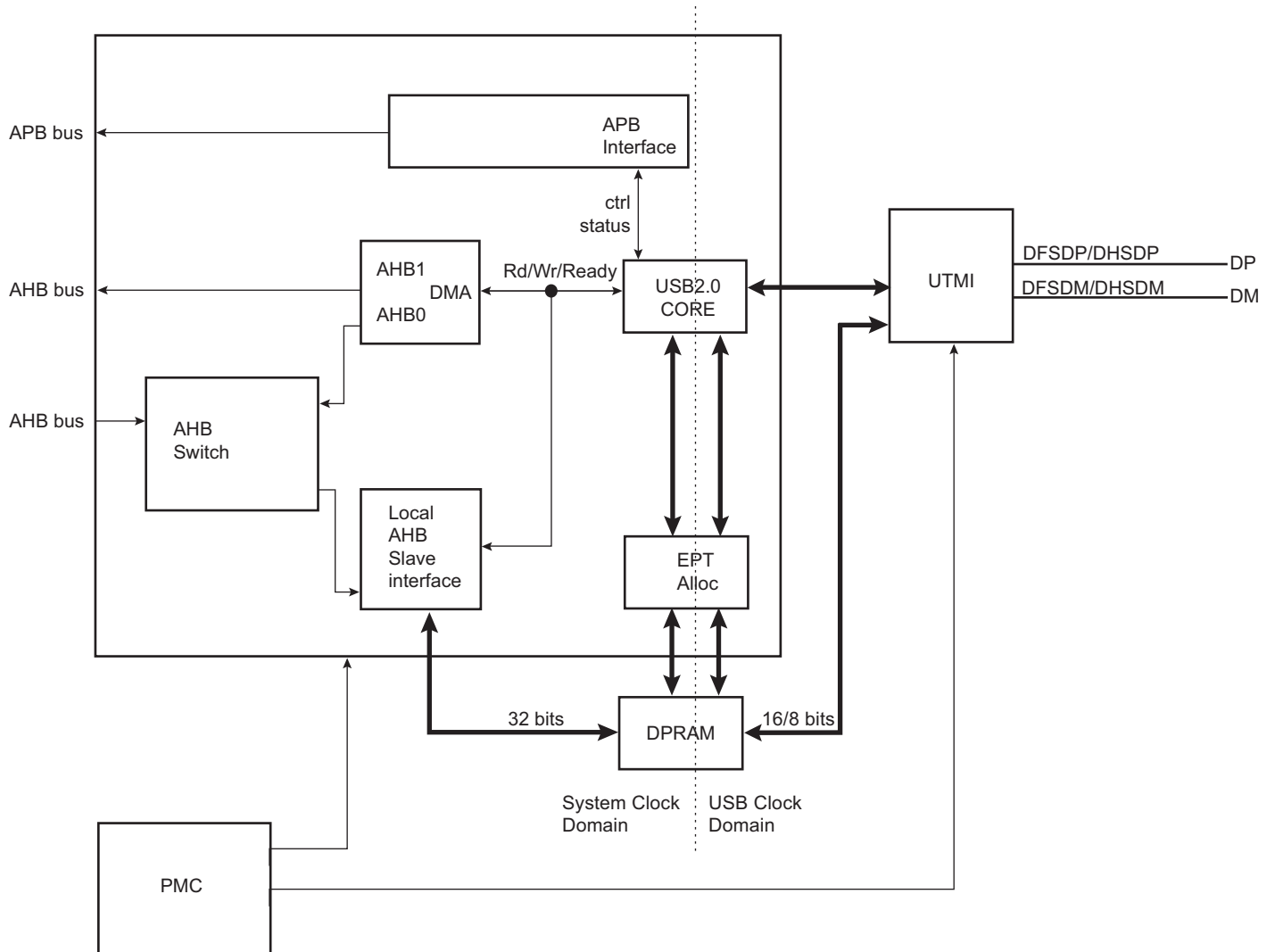
Each endpoint can be configured in one of several USB transfer types. It can be associated with one, two or three banks of a Dual-port RAM used to store the current data payload. If two or three banks are used, one DPR bank is read or written by the processor, while the other is read or written by the USB device peripheral. This feature is mandatory for isochronous endpoints.

34.2 Embedded Characteristics

- 1 Device High Speed
- 1 UTMI transceiver shared between Host and Device
- USB v2.0 High Speed Compliant, 480 Mbit/s
- 16 Endpoints up to 1024 bytes
- Embedded Dual-port RAM for Endpoints
- Suspend/Resume Logic (Command of UTMI)
- Up to Three Memory Banks for Endpoints (Not for Control Endpoint)
- 8 Kbytes of DPRAM

34.3 Block Diagram

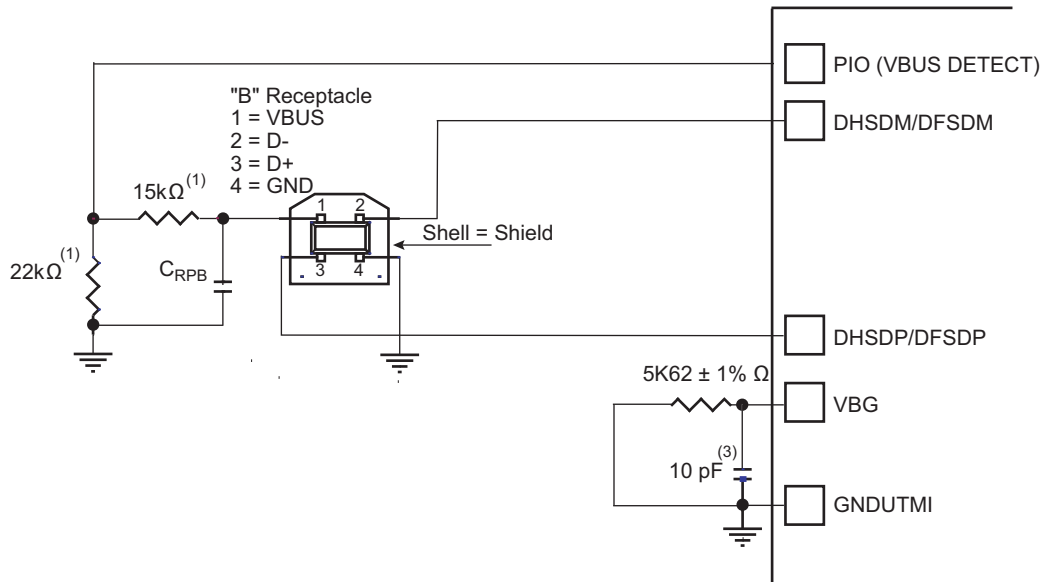
Figure 34-1: Block Diagram



SAMA5D3 SERIES

34.4 Typical Connection

Figure 34-2: Board Schematic



Note 1: The values shown on the 22 kΩ and 15 kΩ resistors are only valid with 3V3-supplied PIOs.

2: CRPB: Upstream Facing Port Bypass Capacitance of 1 μF to 10 μF (refer to “DC Electrical Characteristics” in Universal Serial Bus Specification Rev. 2)

3: 10 pF capacitor on VBG is a provision and may not be populated.

34.5 Product Dependencies

34.5.1 Power Management

The UDPHS is not continuously clocked.

For using the UDPHS, the programmer must first enable the UDPHS Clock in the Power Management Controller Peripheral Clock Enable Register (PMC_PCER). Then enable the PLL in the PMC UTMI Clock Configuration Register (CKGR_UCKR). Finally, enable BIAS in CKGR_UCKR.

However, if the application does not require UDPHS operations, the UDPHS clock can be stopped when not needed and restarted later.

34.5.2 Interrupt Sources

The UDPHS interrupt line is connected on one of the internal sources of the interrupt controller. Using the UDPHS interrupt requires the interrupt controller to be programmed first.

Table 34-1: Peripheral IDs

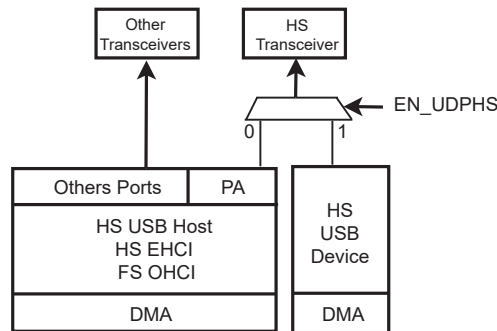
Instance	ID
UDPHS	33

34.6 Functional Description

34.6.1 UTMI transceivers Sharing

The High Speed USB Host Port A is shared with the High Speed USB Device port and connected to the second UTMI transceiver. The selection between Host Port A and USB Device is controlled by the UDPHS enable bit (EN_UDPHS) located in the UDPHS_CTRL register.

Figure 34-3: USB Selection



34.6.2 USB V2.0 High Speed Device Port Introduction

The USB V2.0 High Speed Device Port provides communication services between host and attached USB devices. Each device is offered with a collection of communication flows (pipes) associated with each endpoint. Software on the host communicates with a USB Device through a set of communication flows.

34.6.3 USB V2.0 High Speed Transfer Types

A communication flow is carried over one of four transfer types defined by the USB device.

A device provides several logical communication pipes with the host. To each logical pipe is associated an endpoint. Transfer through a pipe belongs to one of the four transfer types:

- Control Transfers: Used to configure a device at attach time and can be used for other device-specific purposes, including control of other pipes on the device.
- Bulk Data Transfers: Generated or consumed in relatively large burst quantities and have wide dynamic latitude in transmission constraints.
- Interrupt Data Transfers: Used for timely but reliable delivery of data, for example, characters or coordinates with human-perceptible echo or feedback response characteristics.
- Isochronous Data Transfers: Occupy a prenegotiated amount of USB bandwidth with a prenegotiated delivery latency. (Also called streaming real time transfers.)

As indicated below, transfers are sequential events carried out on the USB bus.

Endpoints must be configured according to the transfer type they handle.

Table 34-2: USB Communication Flow

Transfer	Direction	Bandwidth	Endpoint Size	Error Detection	Retrying
Control	Bidirectional	Not guaranteed	8, 16, 32, 64	Yes	Automatic
Isochronous	Unidirectional	Guaranteed	8–1024	Yes	No
Interrupt	Unidirectional	Not guaranteed	8–1024	Yes	Yes
Bulk	Unidirectional	Not guaranteed	8–512	Yes	Yes

34.6.4 USB Transfer Event Definitions

A transfer is composed of one or several transactions as shown in the following table.

SAMA5D3 SERIES

Table 34-3: USB Transfer Events

Transfer		Transaction
Direction	Type	
CONTROL (bidirectional)	Control Transfer ⁽¹⁾	<ul style="list-style-type: none"> • Setup transaction → Data IN transactions → Status OUT transaction • Setup transaction → Data OUT transactions → Status IN transaction • Setup transaction → Status IN transaction
IN (device toward host)	Bulk IN Transfer	• Data IN transaction → Data IN transaction
	Interrupt IN Transfer	• Data IN transaction → Data IN transaction
	Isochronous IN Transfer ⁽²⁾	• Data IN transaction → Data IN transaction
OUT (host toward device)	Bulk OUT Transfer	• Data OUT transaction → Data OUT transaction
	Interrupt OUT Transfer	• Data OUT transaction → Data OUT transaction
	Isochronous OUT Transfer ⁽²⁾	• Data OUT transaction → Data OUT transaction

Note 1: Control transfer must use endpoints with one bank and can be aborted using a stall handshake.

2: Isochronous transfers must use endpoints configured with two or three banks.

An endpoint handles all transactions related to the type of transfer for which it has been configured.

Table 34-4: UDPHS Endpoint Description

Endpoint #	Mnemonic	Nb Bank	DMA	High Band Width	Max. Endpoint Size	Endpoint Type
0	EPT_0	1	N	N	64	Control
1	EPT_1	3	Y	Y	1024	Ctrl/Bulk/Iso ⁽¹⁾ /Interrupt
2	EPT_2	3	Y	Y	1024	Ctrl/Bulk/Iso ⁽¹⁾ /Interrupt
3	EPT_3	2	Y	N	1024	Ctrl/Bulk/Iso ⁽¹⁾ /Interrupt
4	EPT_4	2	Y	N	1024	Ctrl/Bulk/Iso ⁽¹⁾ /Interrupt
5	EPT_5	2	Y	N	1024	Ctrl/Bulk/Iso ⁽¹⁾ /Interrupt
6	EPT_6	2	Y	N	1024	Ctrl/Bulk/Iso ⁽¹⁾ /Interrupt
7	EPT_7	2	Y	N	1024	Ctrl/Bulk/Iso ⁽¹⁾ /Interrupt
8	EPT_8	2	N	N	1024	Ctrl/Bulk/Iso ⁽¹⁾ /Interrupt
9	EPT_9	2	N	N	1024	Ctrl/Bulk/Iso ⁽¹⁾ /Interrupt
10	EPT_10	2	N	N	1024	Ctrl/Bulk/Iso ⁽¹⁾ /Interrupt
11	EPT_11	2	N	N	1024	Ctrl/Bulk/Iso ⁽¹⁾ /Interrupt
12	EPT_12	2	N	N	1024	Ctrl/Bulk/Iso ⁽¹⁾ /Interrupt
13	EPT_13	2	N	N	1024	Ctrl/Bulk/Iso ⁽¹⁾ /Interrupt
14	EPT_14	2	N	N	1024	Ctrl/Bulk/Iso ⁽¹⁾ /Interrupt
15	EPT_15	2	N	N	1024	Ctrl/Bulk/Iso ⁽¹⁾ /Interrupt

Note 1: In Isochronous (Iso) mode, it is preferable that High Band Width capability is available.

The size of internal DPRAM is 8 KB.

Suspend and resume are automatically detected by the UDPHS device, which notifies the processor by raising an interrupt.

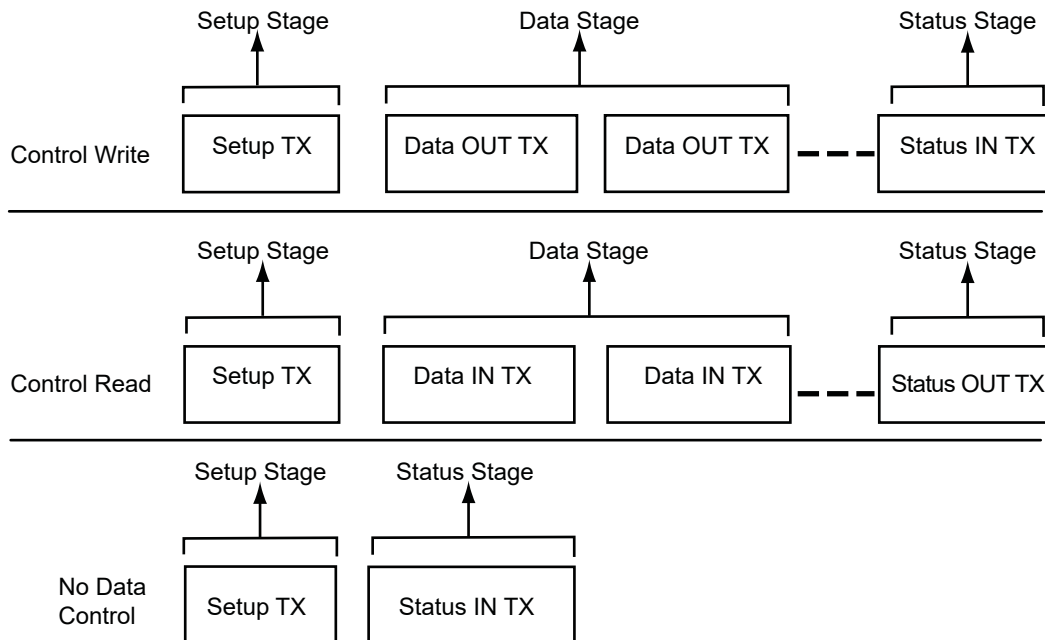
34.6.5 USB V2.0 High Speed BUS Transactions

Each transfer results in one or more transactions over the USB bus.

There are five kinds of transactions flowing across the bus in packets:

1. Setup Transaction
2. Data IN Transaction
3. Data OUT Transaction
4. Status IN Transaction
5. Status OUT Transaction

Figure 34-4: Control Read and Write Sequences



A status IN or OUT transaction is identical to a data IN or OUT transaction.

34.6.6 Endpoint Configuration

The endpoint 0 is always a control endpoint, it must be programmed and active in order to be enabled when the End Of Reset interrupt occurs.

To configure the endpoints:

- Fill the configuration register (UDPHS_EPTCFG) with the endpoint size, direction (IN or OUT), type (CTRL, Bulk, IT, ISO) and the number of banks.
- Fill the number of transactions (NB_TRANS) for isochronous endpoints.

Note: For control endpoints the direction has no effect.

- Verify that the EPT_MAPD flag is set. This flag is set if the endpoint size and the number of banks are correct compared to the FIFO maximum capacity and the maximum number of allowed banks.
- Configure control flags of the endpoint and enable it in UDPHS_EPTCTLENBx according to [UDPHS Endpoint Control Disable Register \(Isochronous Endpoint\)](#).

Control endpoints can generate interrupts and use only 1 bank.

All endpoints (except endpoint 0) can be configured either as Bulk, Interrupt or Isochronous. See [Table 34-4 UDPHS Endpoint Description](#).

The maximum packet size they can accept corresponds to the maximum endpoint size.

Note: The endpoint size of 1024 is reserved for isochronous endpoints.

The size of the DPRAM is 8 KB. The DPR is shared by all active endpoints. The memory size required by the active endpoints must not exceed the size of the DPRAM.

SAMA5D3 SERIES

SIZE_DPRAM = SIZE_EPT0

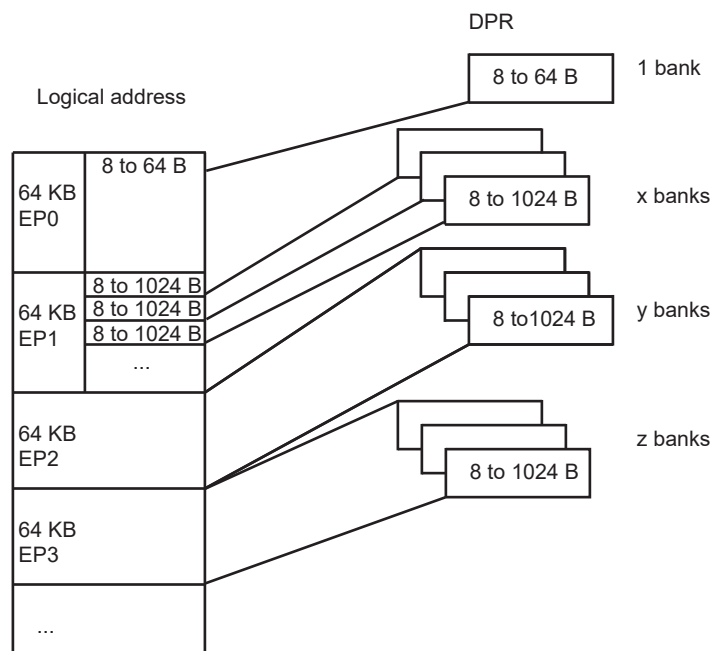
- + NB_BANK_EPT1 x SIZE_EPT1
- + NB_BANK_EPT2 x SIZE_EPT2
- + NB_BANK_EPT3 x SIZE_EPT3
- + NB_BANK_EPT4 x SIZE_EPT4
- + NB_BANK_EPT5 x SIZE_EPT5
- + NB_BANK_EPT6 x SIZE_EPT6
- + ... (refer to [Section 34.7.8 UDPHS Endpoint Configuration Register](#))

If a user tries to configure endpoints with a size the sum of which is greater than the DPRAM, then the EPT_MAPD is not set.

The application has access to the physical block of DPR reserved for the endpoint through a 64 KB logical address space.

The physical block of DPR allocated for the endpoint is remapped all along the 64 KB logical address space. The application can write a 64 KB buffer linearly.

Figure 34-5: Logical Address Space for DPR Access



Configuration examples of UDPHS_EPTCTLx ([UDPHS Endpoint Control Disable Register \(Isochronous Endpoint\)](#)) for Bulk IN endpoint type follow below.

- With DMA
 - AUTO_VALID: Automatically validate the packet and switch to the next bank.
 - EPT_ENABL: Enable endpoint.
- Without DMA:
 - TXRDY: An interrupt is generated after each transmission.
 - EPT_ENABL: Enable endpoint.

Configuration examples of Bulk OUT endpoint type follow below.

- With DMA
 - AUTO_VALID: Automatically validate the packet and switch to the next bank.
 - EPT_ENABL: Enable endpoint.
- Without DMA
 - RXRDY_TXKL: An interrupt is sent after a new packet has been stored in the endpoint FIFO.
 - EPT_ENABL: Enable endpoint.

34.6.7 DPRAM Management

Endpoints can only be allocated in ascending order, from the endpoint 0 to the last endpoint to be allocated. The user shall therefore configure them in the same order.

The allocation of an endpoint x starts when the Number of Banks field in the UDPHS Endpoint Configuration Register (UDPHS_EPTCFGx.BK_NUMBER) is different from zero. Then, the hardware allocates a memory area in the DPRAM and inserts it between the $x-1$ and $x+1$ endpoints. The $x+1$ endpoint memory window slides up and its data is lost. Note that the following endpoint memory windows (from $x+2$) do not slide.

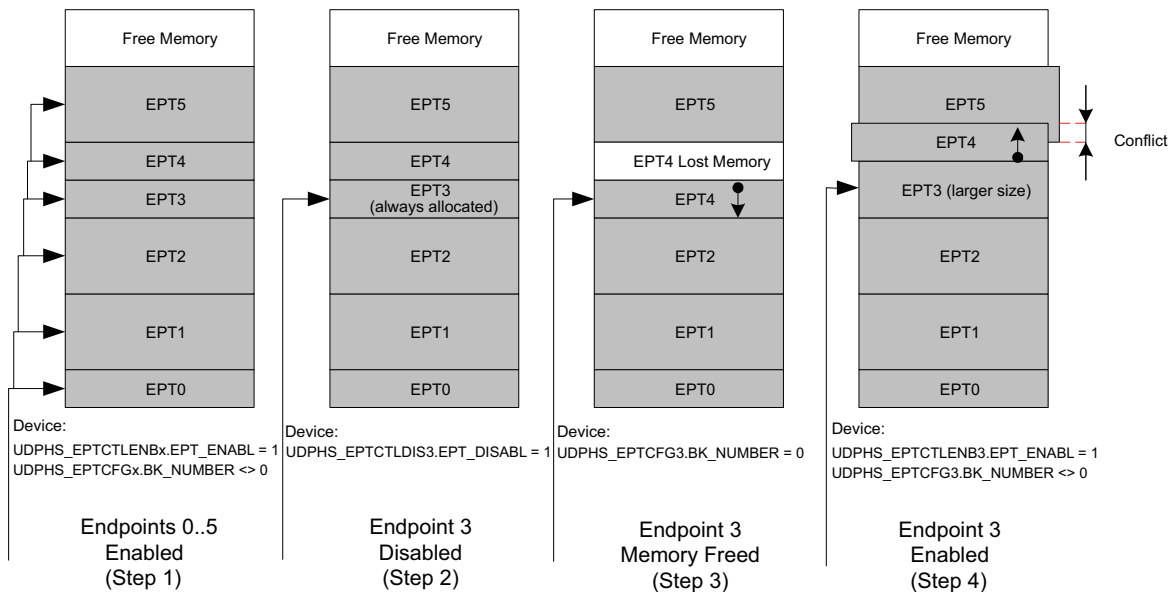
Disabling an endpoint, by writing a one to the Endpoint Disable bit in the UDPHS Endpoint Control Disable Register (UDPHS_EPTCTLDISx.EPT_DISABL), does not reset its configuration:

- Endpoint Banks (UDPHS_EPTCFGx.BK_NUMBER)
- Endpoint Size (UDPHS_EPTCFGx.EPT_SIZE)
- Endpoint Direction (UDPHS_EPTCFGx.EPT_DIR)
- Endpoint Type (UDPHS_EPTCFGx.EPT_TYPE)

To free its memory, the user shall write a zero to the UDPHS_EPTCFGx.BK_NUMBER field. The $x+1$ endpoint memory window then slides down and its data is lost. Note that the following endpoint memory windows (from $x+2$) do not slide.

Figure 34-6 illustrates the allocation and reorganization of the DPRAM in a typical example.

Figure 34-6: Example of DPRAM Allocation and Reorganization



DPRAM allocation sequence:

1. The endpoints 0 to 5 are enabled, configured and allocated in ascending order. Each endpoint then owns a memory area in the DPRAM.
2. The endpoint 3 is disabled, but its memory is kept allocated by the controller.
3. In order to free its memory, its UDPHS_EPTCFGx.BK_NUMBER field is written to zero. The endpoint 4 memory window slides down, but the endpoint 5 does not move.
4. If the user chooses to reconfigure the endpoint 3 with a larger size, the controller allocates a memory area after the endpoint 2 memory area and automatically slides up the endpoint 4 memory window. The endpoint 5 does not move and a memory conflict appears as the memory windows of the endpoints 4 and 5 overlap. The data of these endpoints is potentially lost.

Note 1: There is no way the data of the endpoint 0 can be lost (except if it is de-allocated) as the memory allocation and de-allocation may affect only higher endpoints.

SAMA5D3 SERIES

- 2: Deactivating then reactivating the same endpoint with the same configuration only modifies temporarily the controller DPRAM pointer and size for this endpoint. Nothing changes in the DPRAM, higher endpoints seem not to have been moved and their data is preserved as far as nothing has been written or received into them while changing the allocation state of the first endpoint.
- 3: When the user writes a value different from zero to the UDPHS_EPTCFGx.BK_NUMBER field, the Endpoint Mapped bit (UDPHS_EPTCFGx.EPT_MAPD) is set only if the configured size and number of banks are correct as compared to the endpoint maximal allowed values and to the maximal FIFO size (i.e., the DPRAM size). The UDPHS_EPTCFGx.EPT_MAPD value does not consider memory allocation conflicts.

34.6.8 Transfer With DMA

USB packets of any length may be transferred when required by the UDPHS device. These transfers always feature sequential addressing.

Packet data AHB bursts may be locked on a DMA buffer basis for drastic overall AHB bus bandwidth performance boost with paged memories. These clock-cycle consuming memory row (or bank) changes will then likely not occur, or occur only once instead of several times, during a single big USB packet DMA transfer in case another AHB master addresses the memory. The locked bursts result in up to 128-word single-cycle unbroken AHB bursts for bulk endpoints and 256-word single-cycle unbroken bursts for isochronous endpoints.

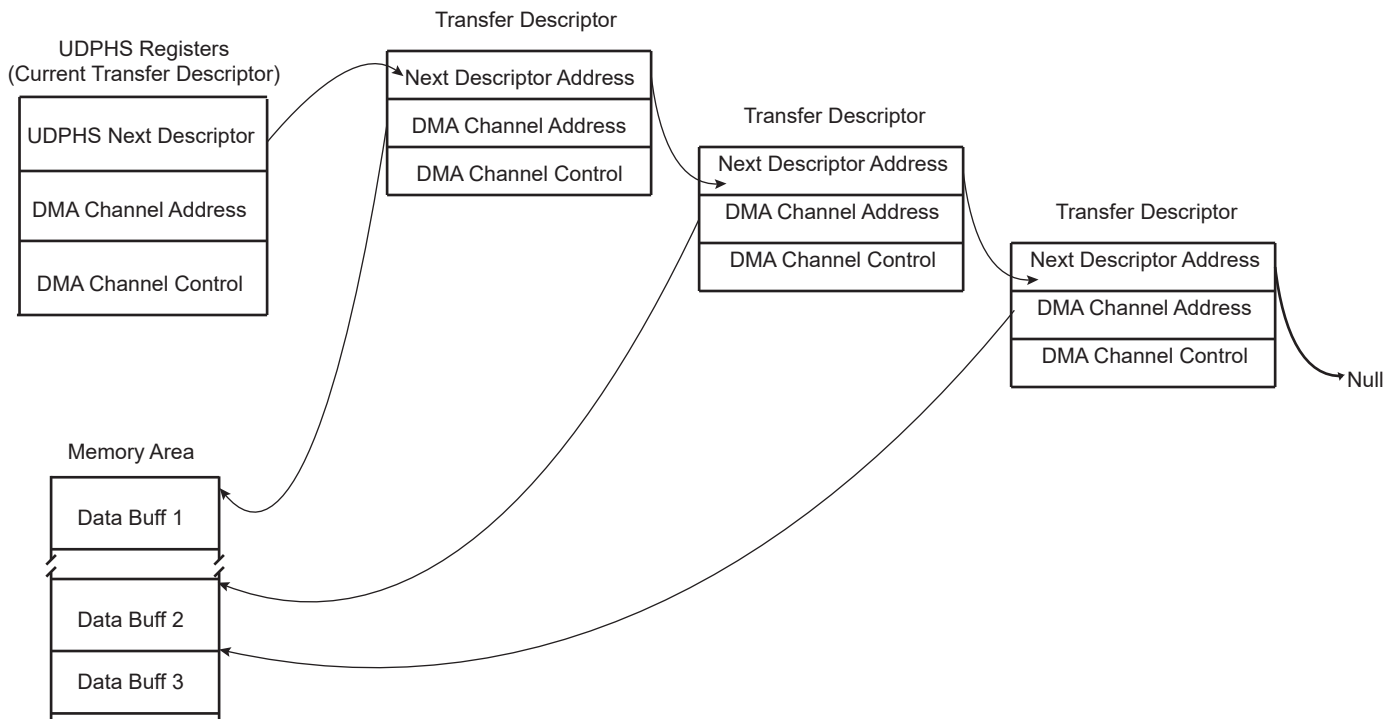
This maximum burst length is then controlled by the lowest programmed USB endpoint size (EPT_SIZE field in the UDPHS_EPTCFGx register) and DMA Size (BUFF_LENGTH field in the UDPHS_DMACONTROLx register).

The USB 2.0 device average throughput may be up to nearly 60 Mbyte/s. Its internal slave average access latency decreases as burst length increases due to the 0 wait-state side effect of unchanged endpoints. If at least 0 wait-state word burst capability is also provided by the external DMA AHB bus slaves, each of both DMA AHB busses need less than 50% bandwidth allocation for full USB 2.0 bandwidth usage at 30 MHz, and less than 25% at 60 MHz.

The UDPHS DMA Channel Transfer Descriptor is described in [Section 34.7.21 UDPHS DMA Channel Transfer Descriptor](#).

Note: In case of debug, be careful to address the DMA to an SRAM address even if a remap is done.

Figure 34-7: Example of DMA Chained List



34.6.9 Transfer Without DMA

Important: If the DMA is not to be used, it is necessary to disable it, otherwise it can be enabled by previous versions of software **without warning**. If this should occur, the DMA can process data before an interrupt without knowledge of the user.

The recommended means to disable DMA are as follows:

```
// Reset IP UDPHS
AT91C_BASE_UDPHS->UDPHS_CTRL &= ~AT91C_UDPHS_EN_UDPHS;
AT91C_BASE_UDPHS->UDPHS_CTRL |= AT91C_UDPHS_EN_UDPHS;
// With OR without DMA !!!
for( i=1; i<=((AT91C_BASE_UDPHS->UDPHS_IPFEATURES &
AT91C_UDPHS_DMA_CHANNEL_NBR)>>4); i++ ) {
// RESET endpoint canal DMA:
// DMA stop channel command
AT91C_BASE_UDPHS->UDPHS_DMA[i].UDPHS_DMACONTROL = 0; // STOP
command
// Disable endpoint
AT91C_BASE_UDPHS->UDPHS_EPT[i].UDPHS_EPTCTLDIS |= 0xFFFFFFFF;
// Reset endpoint config
AT91C_BASE_UDPHS->UDPHS_EPT[i].UDPHS_EPTCTLCFG = 0;
// Reset DMA channel (Buff count and Control field)
AT91C_BASE_UDPHS->UDPHS_DMA[i].UDPHS_DMACONTROL = 0x02; // NON
STOP command
// Reset DMA channel 0 (STOP)
AT91C_BASE_UDPHS->UDPHS_DMA[i].UDPHS_DMACONTROL = 0; // STOP
command
// Clear DMA channel status (read the register for clear it)
AT91C_BASE_UDPHS->UDPHS_DMA[i].UDPHS_DMASTATUS =
AT91C_BASE_UDPHS->UDPHS_DMA[i].UDPHS_DMASTATUS;
}
```

34.6.10 Handling Transactions with USB V2.0 Device Peripheral

34.6.10.1 Setup Transaction

The setup packet is valid in the DPR while RX_SETUP is set. Once RX_SETUP is cleared by the application, the UDPHS accepts the next packets sent over the device endpoint.

When a valid setup packet is accepted by the UDPHS:

- The UDPHS device automatically acknowledges the setup packet (sends an ACK response)
- Payload data is written in the endpoint
- Sets the RX_SETUP interrupt
- The BYTE_COUNT field in the UDPHS_EPTSTAx register is updated

An endpoint interrupt is generated while RX_SETUP in the UDPHS_EPTSTAx register is not cleared. This interrupt is carried out to the microcontroller if interrupts are enabled for this endpoint.

Thus, firmware must detect RX_SETUP polling UDPHS_EPTSTAx or catching an interrupt, read the setup packet in the FIFO, then clear the RX_SETUP bit in the UDPHS_EPTCLRSTA register to acknowledge the setup stage.

If STALL_SNT was set to 1, then this bit is automatically reset when a setup token is detected by the device. Then, the device still accepts the setup stage. (See [Section 34.6.10.5 STALL](#)).

34.6.10.2 NYET

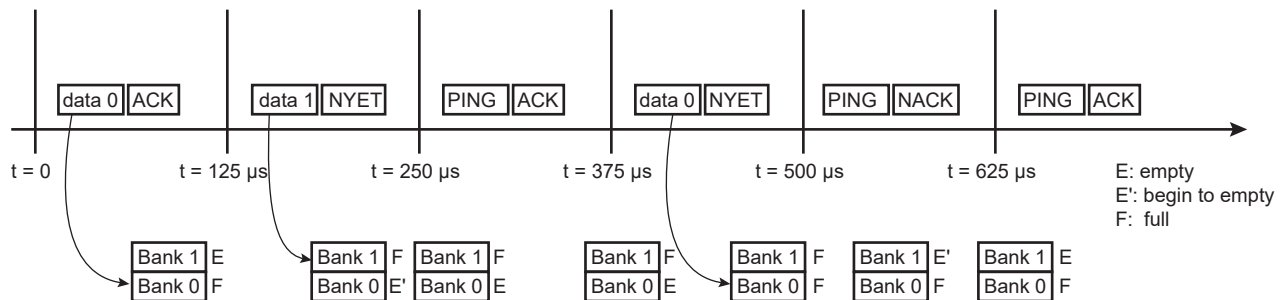
NYET is a High Speed only handshake. It is returned by a High Speed endpoint as part of the PING protocol.

High Speed devices must support an improved NAK mechanism for Bulk OUT and control endpoints (except setup stage). This mechanism allows the device to tell the host whether it has sufficient endpoint space for the next OUT transfer (see USB 2.0 spec 8.5.1 NAK Limiting via Ping Flow Control).

The NYET/ACK response to a High Speed Bulk OUT transfer and the PING response are automatically handled by hardware in the UDPHS_EPTCTLx register (except when the user wants to force a NAK response by using the NYET_DIS bit).

If the endpoint responds instead to the OUT/DATA transaction with an NYET handshake, this means that the endpoint accepted the data but does not have room for another data payload. The host controller must return to using a PING token until the endpoint indicates it has space available.

Figure 34-8: NYET Example with Two Endpoint Banks



34.6.10.3 Data IN

- Bulk IN or Interrupt IN

Data IN packets are sent by the device during the data or the status stage of a control transfer or during an (interrupt/bulk/isochronous) IN transfer. Data buffers are sent packet by packet under the control of the application or under the control of the DMA channel.

There are three ways for an application to transfer a buffer in several packets over the USB:

- packet by packet (see [Bulk IN or Interrupt IN: Sending a Packet Under Application Control \(Device to Host\)](#) below)
- 64 KB (see [Bulk IN or Interrupt IN: Sending a Packet Under Application Control \(Device to Host\)](#) below)
- DMA (see [Bulk IN or Interrupt IN: Sending a Buffer Using DMA \(Device to Host\)](#) below)
- Bulk IN or Interrupt IN: Sending a Packet Under Application Control (Device to Host)

The application can write one or several banks.

A simple algorithm can be used by the application to send packets regardless of the number of banks associated to the endpoint.

Algorithm Description for Each Packet:

- The application waits for TXRDY flag to be cleared in the UDPHS_EPTSTAx register before it can perform a write access to the DPR.
- The application writes one USB packet of data in the DPR through the 64 KB endpoint logical memory window.
- The application sets TXRDY flag in the UDPHS_EPTSETSTAx register.

The application is notified that it is possible to write a new packet to the DPR by the TXRDY interrupt. This interrupt can be enabled or masked by setting the TXRDY bit in the UDPHS_EPTCTLENB/UDPHS_EPTCTLDIS register.

Algorithm Description to Fill Several Packets:

Using the previous algorithm, the application is interrupted for each packet. It is possible to reduce the application overhead by writing linearly several banks at the same time. The AUTO_VALID bit in the UDPHS_EPTCTLx must be set by writing the AUTO_VALID bit in the UDPHS_EPTCTLENBx register.

The auto-valid-bank mechanism allows the transfer of data (IN and OUT) without the intervention of the CPU. This means that bank validation (set TXRDY or clear the RXRDY_TXKL bit) is done by hardware.

- The application checks the BUSY_BANK_STA field in the UDPHS_EPTSTAx register. The application must wait that at least one bank is free.
- The application writes a number of bytes inferior to the number of free DPR banks for the endpoint. Each time the application writes the last byte of a bank, the TXRDY signal is automatically set by the UDPHS.
- If the last packet is incomplete (i.e., the last byte of the bank has not been written) the application must set the TXRDY bit in the UDPHS_EPTSETSTAx register.

The application is notified that all banks are free, so that it is possible to write another burst of packets by the BUSY_BANK interrupt. This interrupt can be enabled or masked by setting the BUSY_BANK flag in the UDPHS_EPTCTLENB and UDPHS_EPTCTLDIS registers.

This algorithm must not be used for isochronous transfer. In this case, the ping-pong mechanism does not operate.

A Zero Length Packet can be sent by setting just the TXRDY flag in the UDPHS_EPTSETSTAx register.

- Bulk IN or Interrupt IN: Sending a Buffer Using DMA (Device to Host)

The UDPHS integrates a DMA host controller. This DMA controller can be used to transfer a buffer from the memory to the DPR or from the DPR to the processor memory under the UDPHS control. The DMA can be used for all transfer types except control transfer.

Example DMA configuration:

1. Program UDPHS_DMAADDRESS x with the address of the buffer that should be transferred.

2. Enable the interrupt of the DMA in `UDPHS_IEN`
3. Program `UDPHS_DMACONTROLx`:
 - Size of buffer to send: size of the buffer to be sent to the host.
 - `END_B_EN`: The endpoint can validate the packet (according to the values programmed in the `AUTO_VALID` and `SHRT_PCKT` fields of `UDPHS_EPTCTLx`.) (See [Section 34.7.12 UDPHS Endpoint Control Disable Register \(Isochronous Endpoint\)](#) and [Figure 34-13](#))
 - `END_BUFFIT`: generate an interrupt when the `BUFF_COUNT` in `UDPHS_DMASTATUSx` reaches 0.
 - `CHANN_ENB`: Run and stop at end of buffer

The auto-valid-bank mechanism allows the transfer of data (IN & OUT) without the intervention of the CPU. This means that bank validation (set `TXRDY` or clear the `RXRDY_TXKL` bit) is done by hardware.

A transfer descriptor can be used. Instead of programming the register directly, a descriptor should be programmed and the address of this descriptor is then given to `UDPHS_DMANXTDSC` to be processed after setting the `LDNXT_DSC` field (Load Next Descriptor Now) in `UDPHS_DMACONTROLx` register.

The structure that defines this transfer descriptor must be aligned.

Each buffer to be transferred must be described by a DMA Transfer descriptor (see [Section 34.7.21 UDPHS DMA Channel Transfer Descriptor](#)). Transfer descriptors are chained. Before executing transfer of the buffer, the UDPHS may fetch a new transfer descriptor from the memory address pointed by the `UDPHS_DMANXTDSCx` register. Once the transfer is complete, the transfer status is updated in the `UDPHS_DMASTATUSx` register.

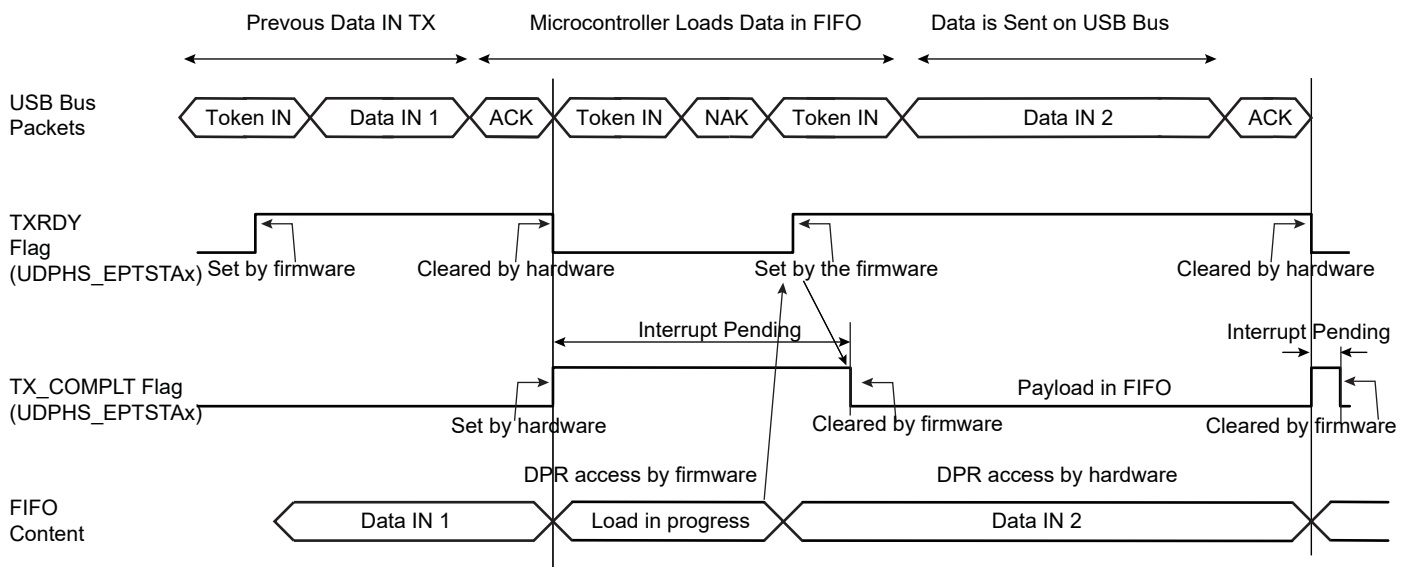
To chain a new transfer descriptor with the current DMA transfer, the DMA channel must be stopped. To do so, `INTDIS_DMA` and `TXRDY` may be set in the `UDPHS_EPTCTLENBx` register. It is also possible for the application to wait for the completion of all transfers. In this case the `LDNXT_DSC` bit in the last transfer descriptor `UDPHS_DMACONTROLx` register must be set to 0 and the `CHANN_ENB` bit set to 1.

Then the application can chain a new transfer descriptor.

The `INTDIS_DMA` can be used to stop the current DMA transfer if an enabled interrupt is triggered. This can be used to stop DMA transfers in case of errors.

The application can be notified at the end of any buffer transfer (`ENB_BUFFIT` bit in the `UDPHS_DMACONTROLx` register).

Figure 34-9: Data IN Transfer for Endpoint with One Bank



SAMA5D3 SERIES

Figure 34-10: Data IN Transfer for Endpoint with Two Banks

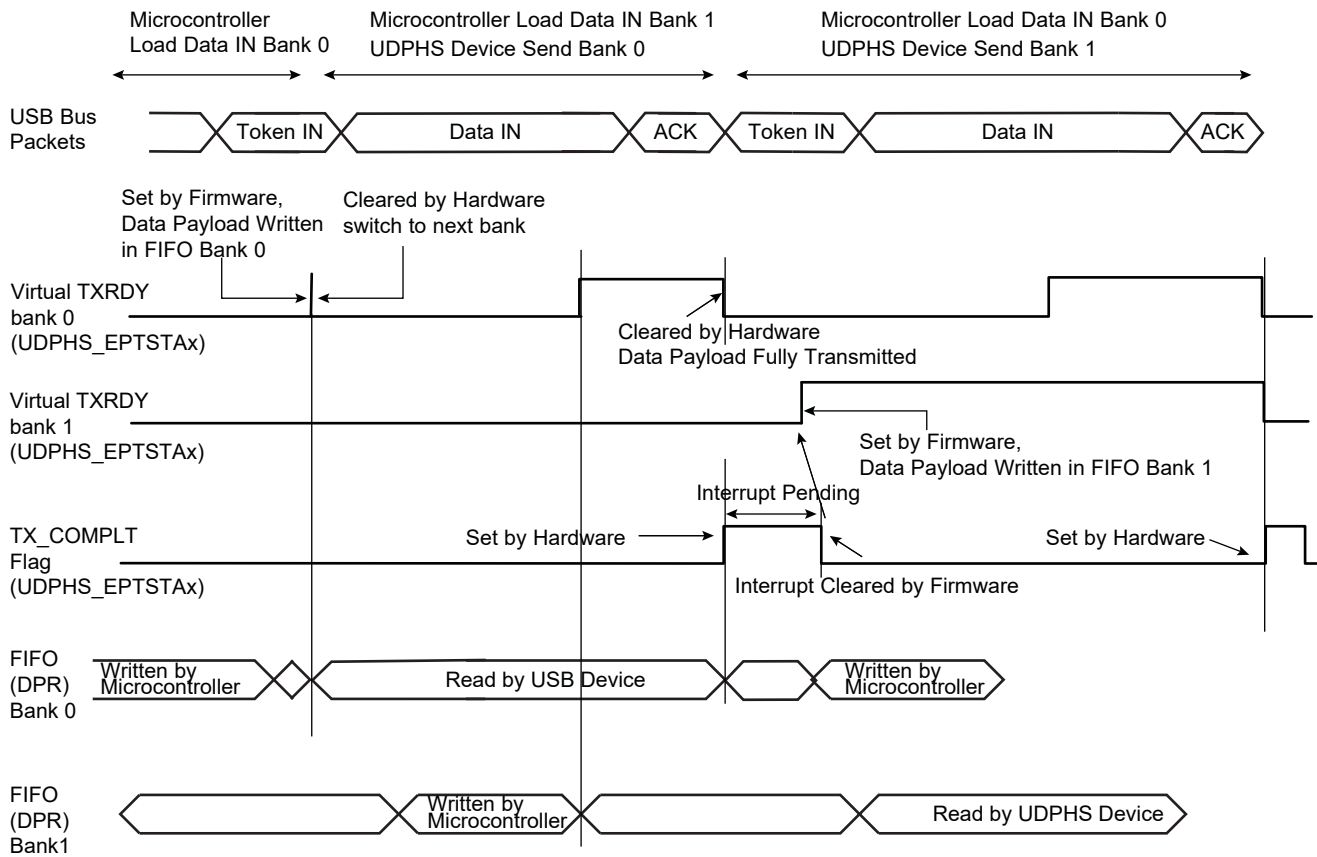
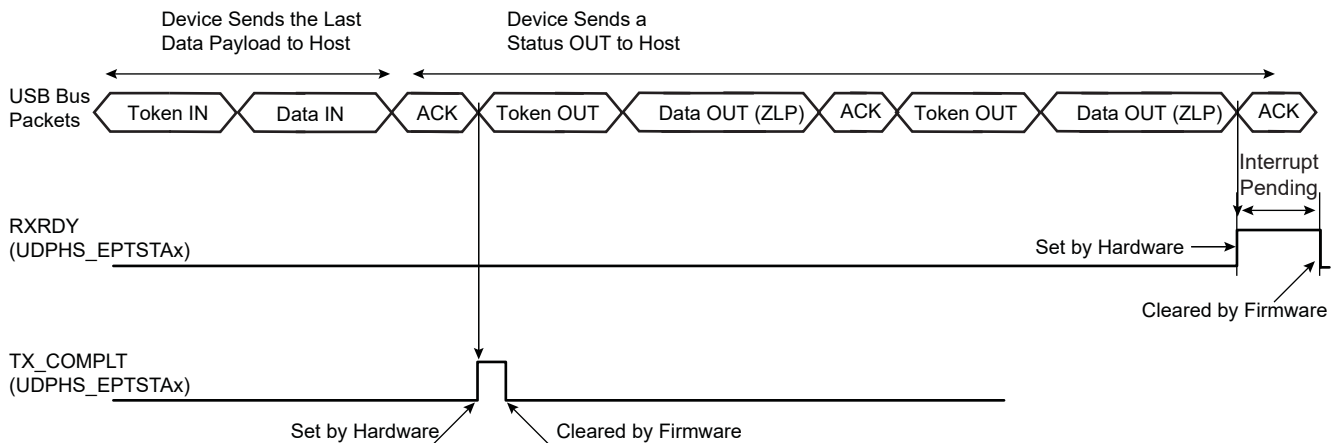
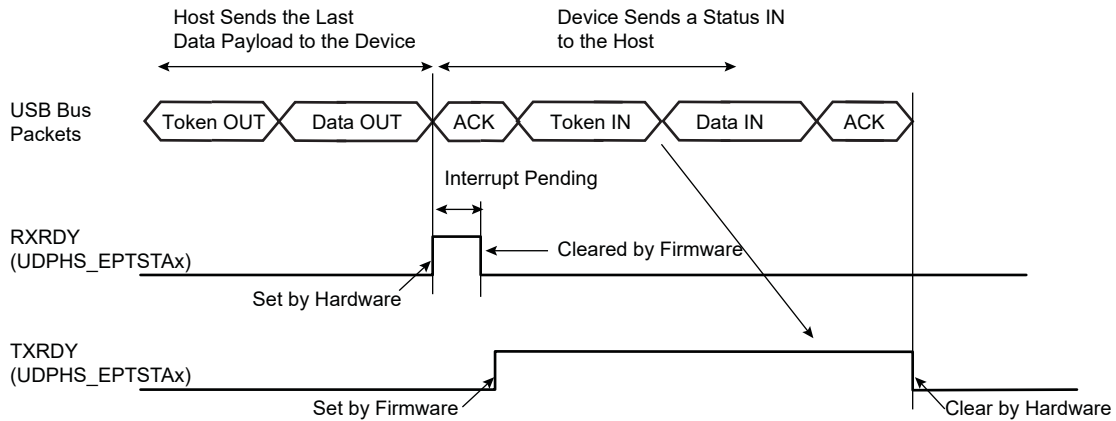


Figure 34-11: Data IN Followed By Status OUT Transfer at the End of a Control Transfer



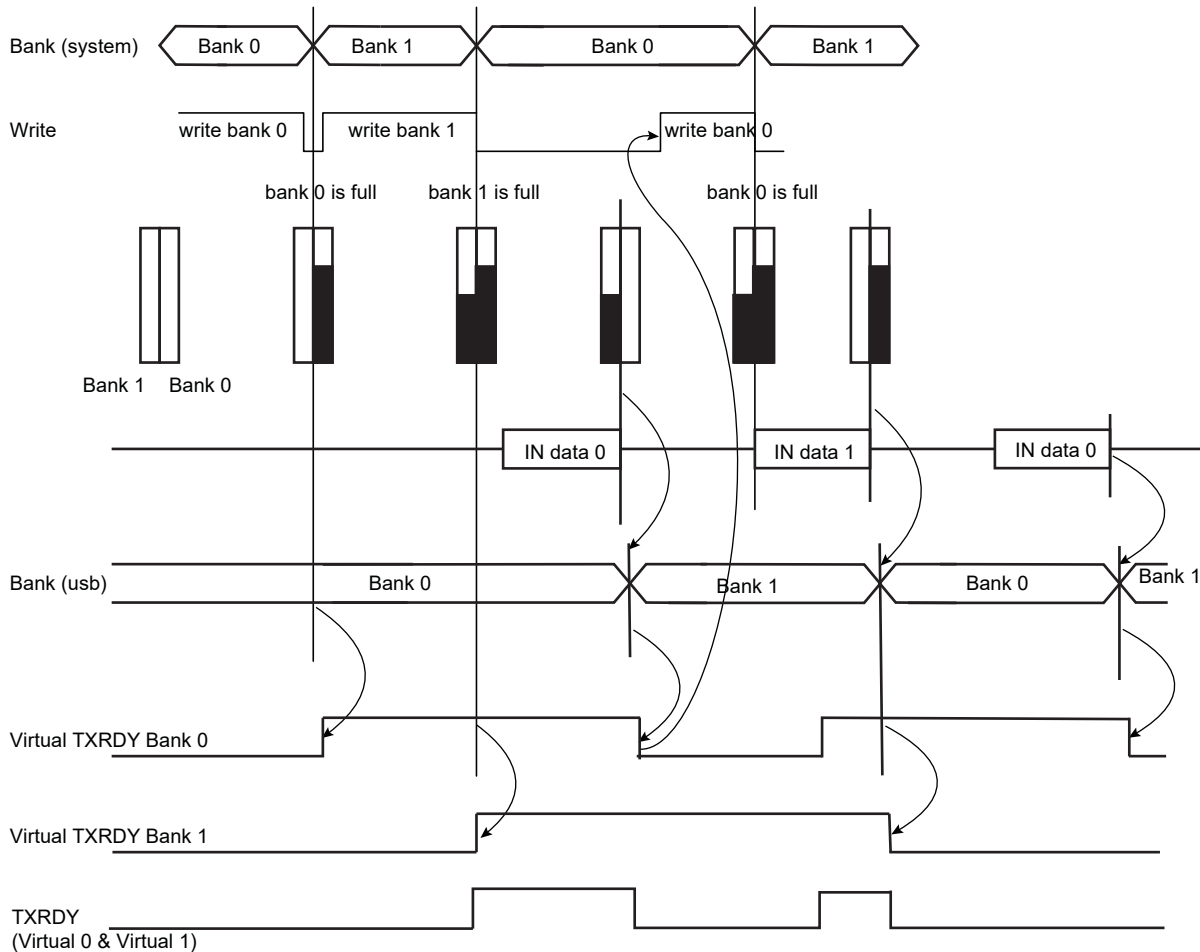
Note: A NAK handshake is always generated at the first status stage token.

Figure 34-12: Data OUT Followed by Status IN Transfer



Note: Before proceeding to the status stage, the software should determine that there is no risk of extra data from the host (data stage). If not certain (non-predictable data stage length), then the software should wait for a NAK-IN interrupt before proceeding to the status stage. This precaution should be taken to avoid collision in the FIFO.

Figure 34-13: Autovalid with DMA



Note: In the illustration above Autovalid validates a bank as full, although this might not be the case, in order to continue processing data and to send to DMA.

SAMA5D3 SERIES

- Isochronous IN

Isochronous-IN is used to transmit a stream of data whose timing is implied by the delivery rate. Isochronous transfer provides periodic, continuous communication between host and device.

It ensures bandwidth and low latencies appropriate for telephony, audio, video, etc.

If the endpoint is not available (TXRDY_TRER = 0), then the device does not answer to the host. An ERR_FL_ISO interrupt is generated in the UDPHS_EPTSTAx register and once enabled, then sent to the CPU.

The STALL_SNT command bit is not used for an ISO-IN endpoint.

- High Bandwidth Isochronous Endpoint Handling: IN Example

For high bandwidth isochronous endpoints, the DMA can be programmed with the number of transactions (BUFF_LENGTH field in UDPHS_DMACONTROLx) and the system should provide the required number of packets per microframe, otherwise, the host will notice a sequencing problem.

A response should be made to the first token IN recognized inside a microframe under the following conditions:

- If at least one bank has been validated, the correct DATAx corresponding to the programmed Number Of Transactions per Microframe (NB_TRANS) should be answered. In case of a subsequent missed or corrupted token IN inside the microframe, the USB 2.0 Core available data bank(s) that should normally have been transmitted during that microframe shall be flushed at its end. If this flush occurs, an error condition is flagged (ERR_FLUSH is set in UDPHS_EPTSTAx).
- If no bank is validated yet, the default DATA0 ZLP is answered and underflow is flagged (ERR_FL_ISO is set in UDPHS_EPTSTAx). Then, no data bank is flushed at microframe end.
- If no data bank has been validated at the time when a response should be made for the second transaction of NB_TRANS = 3 transactions microframe, a DATA1 ZLP is answered and underflow is flagged (ERR_FL_ISO is set in UDPHS_EPTSTAx). If and only if remaining untransmitted banks for that microframe are available at its end, they are flushed and an error condition is flagged (ERR_FLUSH is set in UDPHS_EPTSTAx).
- If no data bank has been validated at the time when a response should be made for the last programmed transaction of a microframe, a DATA0 ZLP is answered and underflow is flagged (ERR_FL_ISO is set in UDPHS_EPTSTAx). If and only if the remaining untransmitted data bank for that microframe is available at its end, it is flushed and an error condition is flagged (ERR_FLUSH is set in UDPHS_EPTSTAx).
- If at the end of a microframe no valid token IN has been recognized, no data bank is flushed and no error condition is reported.

At the end of a microframe in which at least one data bank has been transmitted, if less than NB_TRANS banks have been validated for that microframe, an error condition is flagged (ERR_TRANS is set in UDPHS_EPTSTAx).

Cases of Error (in UDPHS_EPTSTAx)

- ERR_FL_ISO: There was no data to transmit inside a microframe, so a ZLP is answered by default.
- ERR_FLUSH: At least one packet has been sent inside the microframe, but the number of token IN received is lesser than the number of transactions actually validated (TXRDY_TRER) and likewise with the NB_TRANS programmed.
- ERR_TRANS: At least one packet has been sent inside the microframe, but the number of token IN received is lesser than the number of programmed NB_TRANS transactions and the packets not requested were not validated.
- ERR_FL_ISO + ERR_FLUSH: At least one packet has been sent inside the microframe, but the data has not been validated in time to answer one of the following token IN.
- ERR_FL_ISO + ERR_TRANS: At least one packet has been sent inside the microframe, but the data has not been validated in time to answer one of the following token IN and the data can be discarded at the microframe end.
- ERR_FLUSH + ERR_TRANS: The first token IN has been answered and it was the only one received, a second bank has been validated but not the third, whereas NB_TRANS was waiting for three transactions.
- ERR_FL_ISO + ERR_FLUSH + ERR_TRANS: The first token IN has been treated, the data for the second Token IN was not available in time, but the second bank has been validated before the end of the microframe. The third bank has not been validated, but three transactions have been set in NB_TRANS.

34.6.10.4 Data OUT

- Bulk OUT or Interrupt OUT

Like data IN, data OUT packets are sent by the host during the data or the status stage of control transfer or during an interrupt/bulk/ isochronous OUT transfer. Data buffers are sent packet by packet under the control of the application or under the control of the DMA channel.

- Bulk OUT or Interrupt OUT: Receiving a Packet Under Application Control (Host to Device)

Algorithm Description for Each Packet:

- The application enables an interrupt on RXRDY_TXKL.
- When an interrupt on RXRDY_TXKL is received, the application knows that UDPHS_EPTSTAx register BYTE_COUNT bytes have been received.

- The application reads the BYTE_COUNT bytes from the endpoint.
- The application clears RXRDY_TXKL.

Note: If the application does not know the size of the transfer, it may **not** be a good option to use AUTO_VALID. Because if a zero-length-packet is received, the RXRDY_TXKL is automatically cleared by the AUTO_VALID hardware and if the endpoint interrupt is triggered, the software will not find its originating flag when reading the UDPHS_EPTSTAx register.

Algorithm to Fill Several Packets:

- The application enables the interrupts of BUSY_BANK and AUTO_VALID.
- When a BUSY_BANK interrupt is received, the application knows that all banks available for the endpoint have been filled. Thus, the application can read all banks available.

If the application does not know the size of the receive buffer, instead of using the BUSY_BANK interrupt, the application must use RXRDY_TXKL.

- Bulk OUT or Interrupt OUT: Sending a Buffer Using DMA (Host To Device)

To use the DMA setting, the AUTO_VALID field is mandatory.

See [Bulk IN or Interrupt IN: Sending a Buffer Using DMA \(Device to Host\)](#) for more information.

DMA Configuration Example:

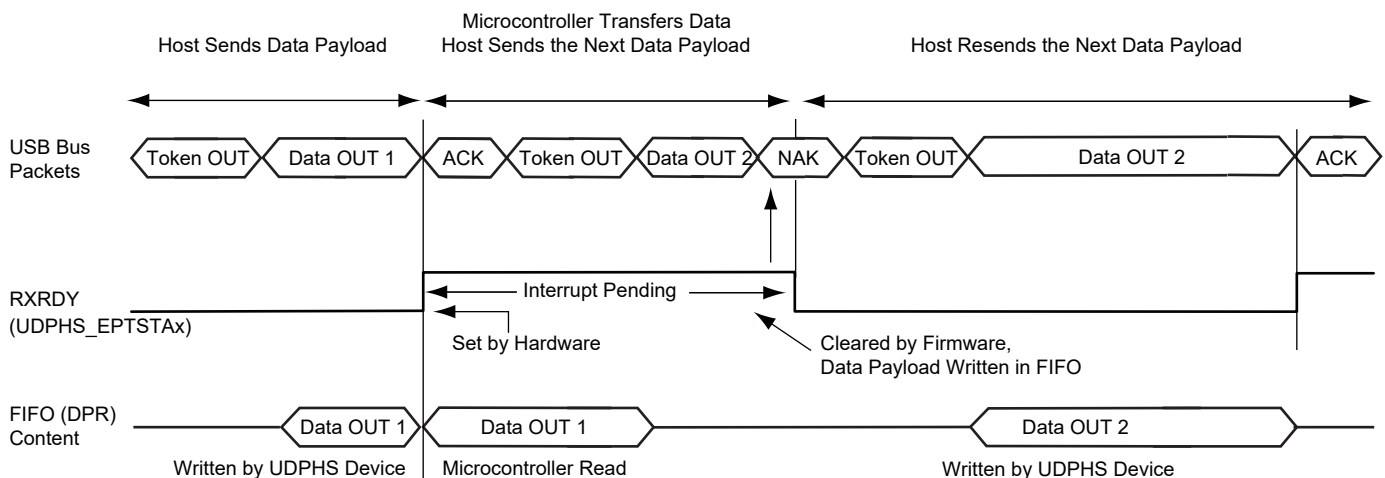
1. First program UDPHS_DMAADDRESSx with the address of the buffer that should be transferred.
2. Enable the interrupt of the DMA in UDPHS_IEN
3. Program the DMA Channelx Control Register:
 - Size of buffer to be sent.
 - END_B_EN: Can be used for OUT packet truncation (discarding of unbuffered packet data) at the end of DMA buffer.
 - END_BUFFIT: Generate an interrupt when BUFF_COUNT in the UDPHS_DMASTATUSx register reaches 0.
 - END_TR_EN: End of transfer enable, the UDPHS device can put an end to the current DMA transfer, in case of a short packet.
 - END_TR_IT: End of transfer interrupt enable, an interrupt is sent after the last USB packet has been transferred by the DMA, if the USB transfer ended with a short packet. (Beneficial when the receive size is unknown.)
 - CHANN_ENB: Run and stop at end of buffer.

For OUT transfer, the bank will be automatically cleared by hardware when the application has read all the bytes in the bank (the bank is empty).

Note 1: When a zero-length-packet is received, RXRDY_TXKL bit in UDPHS_EPTSTAx is cleared automatically by AUTO_VALID, and the application knows of the end of buffer by the presence of the END_TR_IT.

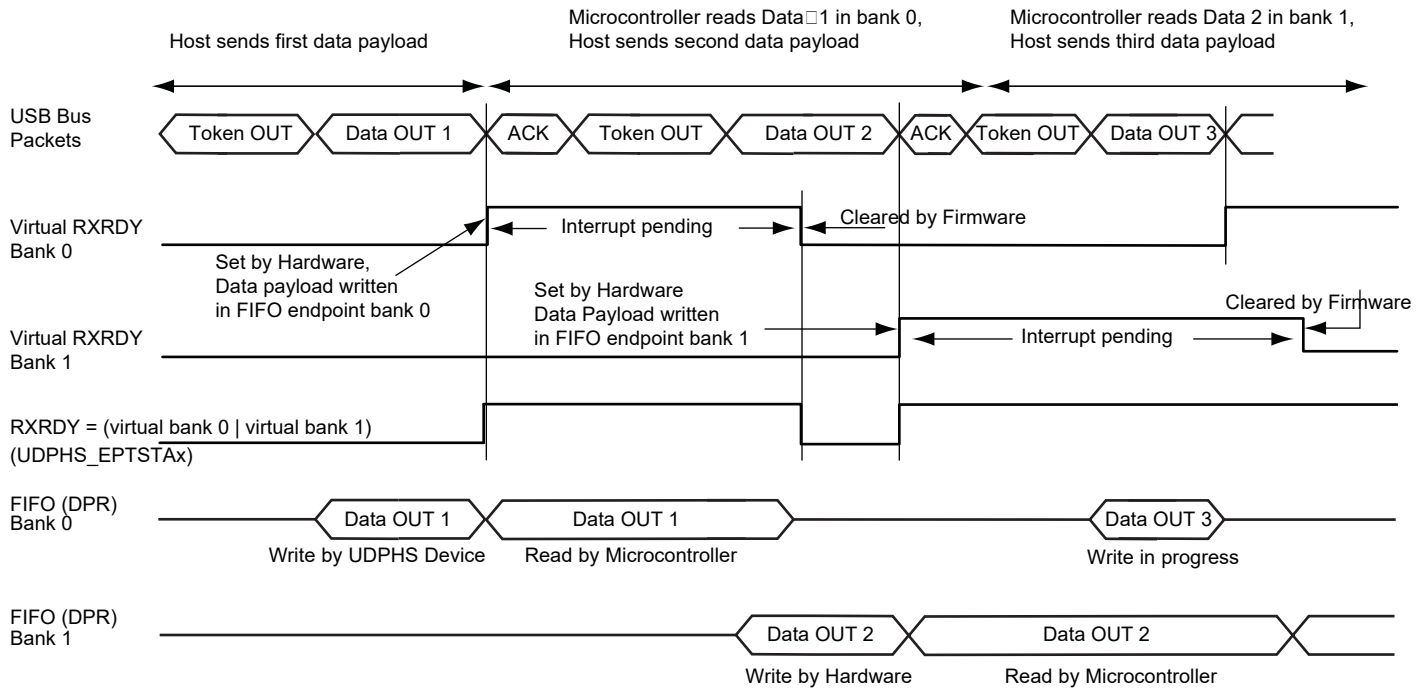
- 2: If the host sends a zero-length packet, and the endpoint is free, then the device sends an ACK. No data is written in the endpoint, the RXRDY_TXKL interrupt is generated, and the BYTE_COUNT field in UDPHS_EPTSTAx is null.

Figure 34-14: Data OUT Transfer for Endpoint with One Bank



SAMA5D3 SERIES

Figure 34-15: Data OUT Transfer for an Endpoint with Two Banks



• High Bandwidth Isochronous Endpoint OUT

USB 2.0 supports individual High Speed isochronous endpoints that require data rates up to 192 Mb/s (24 MB/s): 3x1024 data bytes per microframe.

To support such a rate, two or three banks may be used to buffer the three consecutive data packets. The microcontroller (or the DMA) should be able to empty the banks very rapidly (at least 24 MB/s on average).

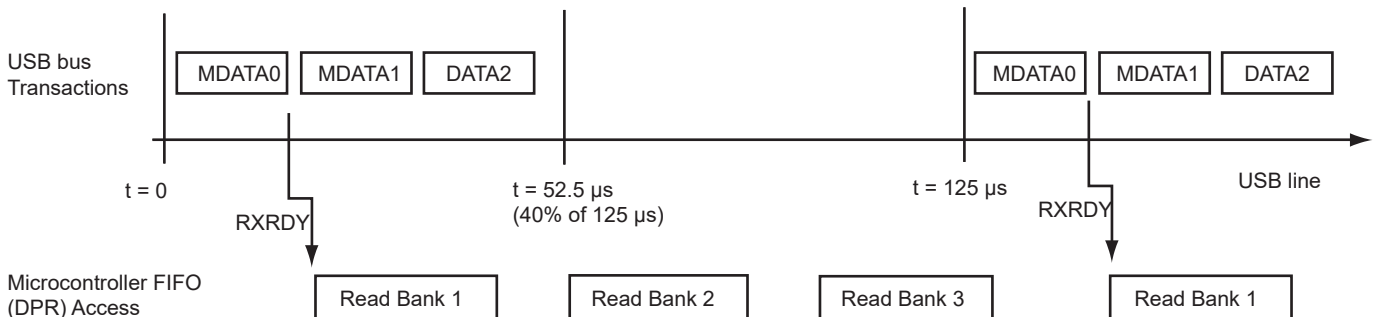
NB_TRANS field in UDPHS_EPTCFGx register = Number Of Transactions per Microframe.

If NB_TRANS > 1 then it is High Bandwidth.

Example:

- If NB_TRANS = 3, the sequence should be either
 - MData0
 - MData0/Data1
 - MData0/Data1/Data2
- If NB_TRANS = 2, the sequence should be either
 - MData0
 - MData0/Data1
- If NB_TRANS = 1, the sequence should be
 - Data0

Figure 34-16: Bank Management, Example of Three Transactions per Microframe



- Isochronous Endpoint Handling: OUT Example

The user can ascertain the bank status (free or busy), and the toggle sequencing of the data packet for each bank with the UDPHS_EPTSTAx register in the three fields as follows:

- TOGGLESQ_STA: PID of the data stored in the current bank
- CURBK: Number of the bank currently being accessed by the microcontroller.
- BUSY_BANK_STA: Number of busy bank

This is particularly useful in case of a missing data packet.

If the inter-packet delay between the OUT token and the Data is greater than the USB standard, then the ISO-OUT transaction is ignored. (Payload data is not written, no interrupt is generated to the CPU.)

If there is a data CRC (Cyclic Redundancy Check) error, the payload is, none the less, written in the endpoint. The ERR_CRC_NTR flag is set in UDPHS_EPTSTAx register.

If the endpoint is already full, the packet is not written in the DPRAM. The ERR_FL_ISO flag is set in UDPHS_EPTSTAx.

If the payload data is greater than the maximum size of the endpoint, then the ERR_OVFLW flag is set. It is the task of the CPU to manage this error. The data packet is written in the endpoint (except the extra data).

If the host sends a Zero Length Packet, and the endpoint is free, no data is written in the endpoint, the RXRDY_TXKL flag is set, and the BYTE_COUNT field in UDPHS_EPTSTAx register is null.

The FRCESTALL command bit is unused for an isochronous endpoint.

Otherwise, payload data is written in the endpoint, the RXRDY_TXKL interrupt is generated and the BYTE_COUNT in UDPHS_EPTSTAx register is updated.

34.6.10.5 STALL

STALL is returned by a function in response to an IN token or after the data phase of an OUT or in response to a PING transaction. STALL indicates that a function is unable to transmit or receive data, or that a control pipe request is not supported.

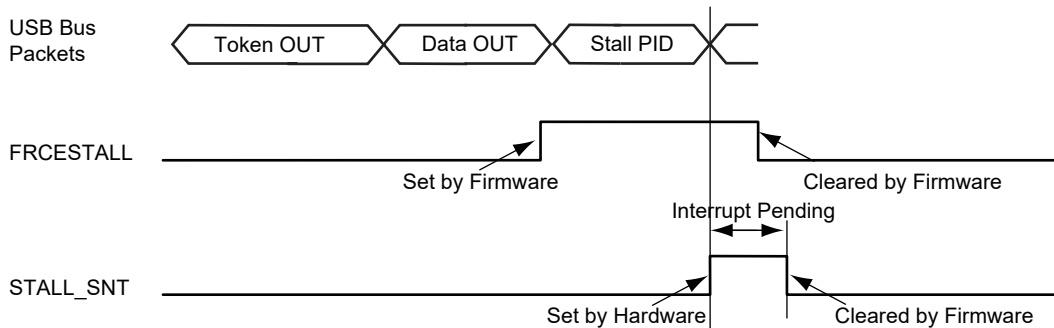
- OUT

To stall an endpoint, set the FRCESTALL bit in UDPHS_EPTSETSTAx register and after the STALL_SNT flag has been set, set the TOGGLE_SEG bit in the UDPHS_EPTCLRSTAx register.

- IN

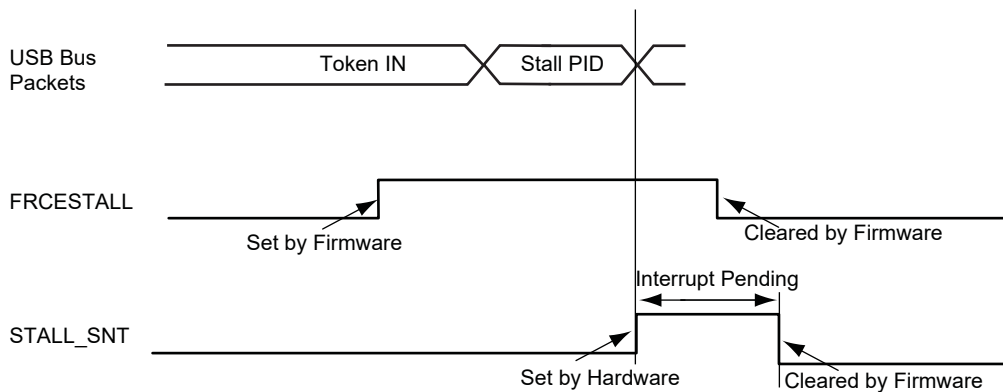
Set the FRCESTALL bit in UDPHS_EPTSETSTAx register.

Figure 34-17: Stall Handshake Data OUT Transfer



SAMA5D3 SERIES

Figure 34-18: Stall Handshake Data IN Transfer



34.6.11 Speed Identification

The high speed reset is managed by hardware.

At the connection, the host makes a reset which could be a classic reset (full speed) or a high speed reset.

At the end of the reset process (full or high), the ENDRESET interrupt is generated.

Then the CPU should read the SPEED bit in UDPHS_INTSTAx to ascertain the speed mode of the device.

34.6.12 USB V2.0 High Speed Global Interrupt

Interrupts are defined in [Section 34.7.3 UDPHS Interrupt Enable Register \(UDPHS_IEN\)](#) and in [Section 34.7.4 UDPHS Interrupt Status Register \(UDPHS_INTSTA\)](#).

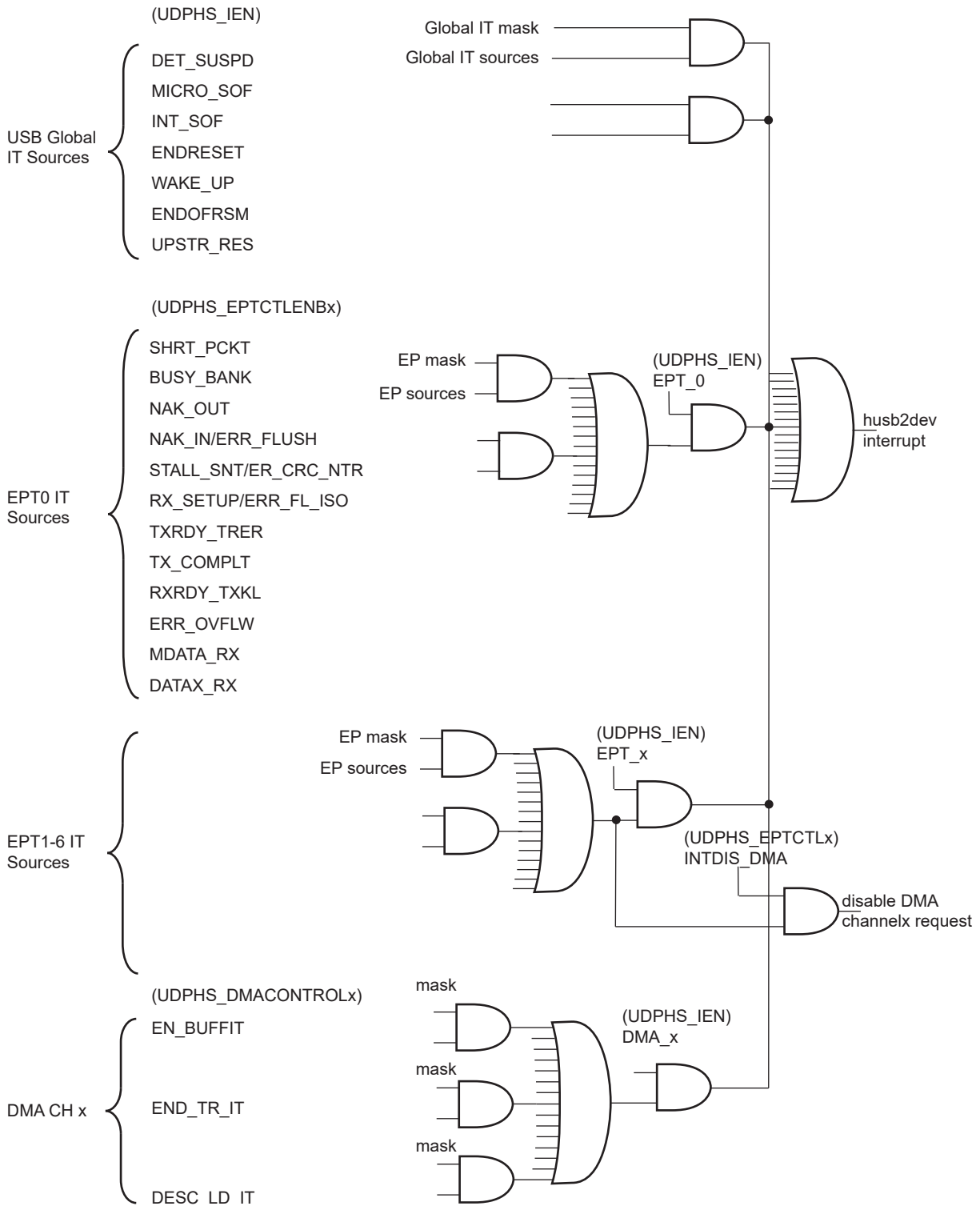
34.6.13 Endpoint Interrupts

Interrupts are enabled in UDPHS_IEN (see [Section 34.7.3 UDPHS Interrupt Enable Register](#)) and individually masked in UDPHS_EPTCTLENBx (see [Section 34.7.9 UDPHS Endpoint Control Enable Register \(Control, Bulk, Interrupt Endpoints\)](#)).

Table 34-5: Endpoint Interrupt Source Masks

SHRT_PCKT	Short Packet Interrupt
BUSY_BANK	Busy Bank Interrupt
NAK_OUT	NAKOUT Interrupt
NAK_IN/ERR_FLUSH	NAKIN/Error Flush Interrupt
STALL_SNT/ERR_CRC_NTR	Stall Sent/CRC error/Number of Transaction Error Interrupt
RX_SETUP/ERR_FL_ISO	Received SETUP/Error Flow Interrupt
TXRDY_TRER	TX Packet Read/Transaction Error Interrupt
TX_COMPLT	Transmitted IN Data Complete Interrupt
RXRDY_TXKL	Received OUT Data Interrupt
ERR_OVFLW	Overflow Error Interrupt
MDATA_RX	MDATA Interrupt
DATA_X_RX	DATAx Interrupt

Figure 34-19: UDPHS Interrupt Control Interface



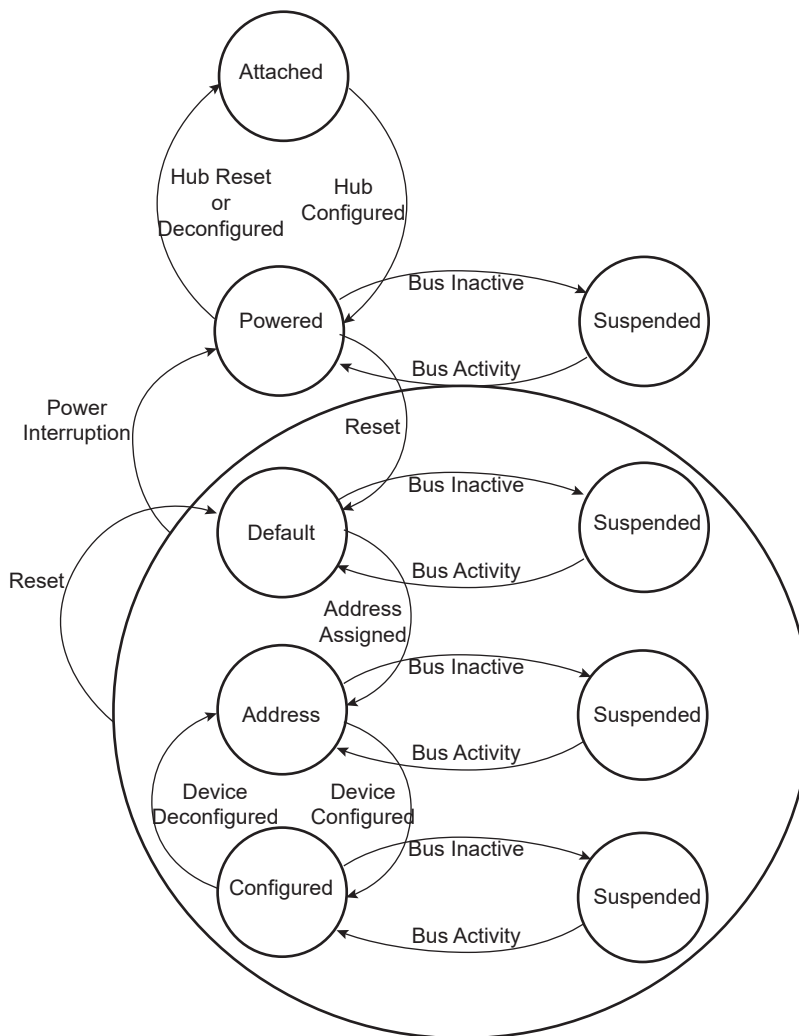
34.6.14 Power Modes

34.6.14.1 Controlling Device States

A USB device has several possible states. Refer to Chapter 9 (USB Device Framework) of the Universal Serial Bus Specification, Rev 2.0.

SAMA5D3 SERIES

Figure 34-20: UDPHS Device State Diagram



Movement from one state to another depends on the USB bus state or on standard requests sent through control transactions via the default endpoint (endpoint 0).

After a period of bus inactivity, the USB device enters Suspend mode. Accepting Suspend/Resume requests from the USB host is mandatory. Constraints in Suspend mode are very strict for bus-powered applications; devices may not consume more than 500 μA on the USB bus.

While in Suspend mode, the host may wake up a device by sending a resume signal (bus activity) or a USB device may send a wake-up request to the host, e.g., waking up a PC by moving a USB mouse.

The wake-up feature is not mandatory for all devices and must be negotiated with the host.

34.6.14.2 Not Powered State

Self powered devices can detect 5V VBUS using a PIO. When the device is not connected to a host, device power consumption can be reduced by the DETACH bit in UDPHS_CTRL. Disabling the transceiver is automatically done. HSDM, HSDP, FSDP and FSDM lines are tied to GND pull-downs integrated in the hub downstream ports.

34.6.14.3 Entering Attached State

When no device is connected, the USB FSDP and FSDM signals are tied to GND by 15 K Ω pull-downs integrated in the hub downstream ports. When a device is attached to an hub downstream port, the device connects a 1.5 K Ω pull-up on FSDP. The USB bus line goes into IDLE state, FSDP is pulled-up by the device 1.5 K Ω resistor to 3.3V and FSDM is pulled-down by the 15 K Ω resistor to GND of the host.

After pull-up connection, the device enters the powered state. The transceiver remains disabled until bus activity is detected.

In case of low power consumption need, the device can be stopped. When the device detects the VBUS, the software must enable the USB transceiver by enabling the EN_UDPHS bit in UDPHS_CTRL register.

The software can detach the pull-up by setting DETACH bit in UDPHS_CTRL register.

34.6.14.4 From Powered State to Default State (Reset)

After its connection to a USB host, the USB device waits for an end-of-bus reset. The unmasked flag ENDRESET is set in the UDPHS_IEN register and an interrupt is triggered.

Once the ENDRESET interrupt has been triggered, the device enters Default State. In this state, the UDPHS software must:

- Enable the default endpoint, setting the EPT_ENABL flag in the UDPHS_EPTCTLENB[0] register and, optionally, enabling the interrupt for endpoint 0 by writing 1 in EPT_0 of the UDPHS_IEN register. The enumeration then begins by a control transfer.
- Configure the Interrupt Mask Register which has been reset by the USB reset detection
- Enable the transceiver.

In this state, the EN_UDPHS bit in UDPHS_CTRL register must be enabled.

34.6.14.5 From Default State to Address State (Address Assigned)

After a Set Address standard device request, the USB host peripheral enters the address state.

Warning: Before the device enters address state, it must achieve the Status IN transaction of the control transfer, i.e., the UDPHS device sets its new address once the TX_COMPLT flag in the UDPHS_EPTCTL[0] register has been received and cleared.

To move to address state, the driver software sets the DEV_ADDR field and the FADDR_EN flag in the UDPHS_CTRL register.

34.6.14.6 From Address State to Configured State (Device Configured)

Once a valid Set Configuration standard request has been received and acknowledged, the device enables endpoints corresponding to the current configuration. This is done by setting the BK_NUMBER, EPT_TYPE, EPT_DIR and EPT_SIZE fields in the UDPHS_EPTCFGx registers and enabling them by setting the EPT_ENABL flag in the UDPHS_EPTCTLENBx registers, and, optionally, enabling corresponding interrupts in the UDPHS_IEN register.

34.6.14.7 Entering Suspend State (Bus Activity)

When a Suspend (no bus activity on the USB bus) is detected, the DET_SUSPD signal in the UDPHS_STA register is set. This triggers an interrupt if the corresponding bit is set in the UDPHS_IEN register. This flag is cleared by writing to the UDPHS_CLRINT register. Then the device enters Suspend mode.

In this state bus powered devices must drain less than 500 μ A from the 5V VBUS. As an example, the microcontroller switches to slow clock, disables the PLL and main oscillator, and goes into Idle mode. It may also switch off other devices on the board.

The UDPHS device peripheral clocks can be switched off. Resume event is asynchronously detected.

34.6.14.8 Receiving a Host Resume

In Suspend mode, a resume event on the USB bus line is detected asynchronously, transceiver and clocks disabled (however the pull-up should not be removed).

Once the resume is detected on the bus, the signal WAKE_UP in the UDPHS_INTSTA is set. It may generate an interrupt if the corresponding bit in the UDPHS_IEN register is set. This interrupt may be used to wake-up the core, enable PLL and main oscillators and configure clocks.

34.6.14.9 Sending an External Resume

In Suspend State it is possible to wake-up the host by sending an external resume.

The device waits at least 5 ms after being entered in Suspend State before sending an external resume.

The device must force a K state from 1 to 15 ms to resume the host.

SAMA5D3 SERIES

34.6.15 Test Mode

A device must support the TEST_MODE feature when in the Default, Address or Configured High Speed device states.

TEST_MODE can be:

- Test_J
- Test_K
- Test_Packet
- Test_SEO_NAK

(See [Section 34.7.7 UDPHS Test Register](#) for definitions of each test mode.)

```
const char test_packet_buffer[] = {
    0x00,0x00,0x00,0x00,0x00,0x00,0x00,0x00,0x00,0x00, // JKJKJKJK * 9
    0xAA,0xAA,0xAA,0xAA,0xAA,0xAA,0xAA,0xAA, // JKKKJJKK * 8
    0xEE,0xEE,0xEE,0xEE,0xEE,0xEE,0xEE,0xEE, // JKKKJJKK * 8
    0xFE,0xFF,0xFF,0xFF,0xFF,0xFF,0xFF,0xFF,0xFF,0xFF,0xFF,0xFF, // JJJJJJJKKKKKKK * 8
    0x7F,0xBF,0xDF,0xEF,0xF7,0xFB,0xFD, // JJJJJJK * 8
    0xFC,0x7E,0xBF,0xDF,0xEF,0xF7,0xFB,0xFD,0x7E // {JKKKKKKK * 10}, JK
};
```

34.7 USB High Speed Device Port (UDPHS) User Interface

Table 34-6: Register Mapping

Offset	Register	Name	Access	Reset
0x00	UDPHS Control Register	UDPHS_CTRL	Read/Write	0x0000_0200
0x04	UDPHS Frame Number Register	UDPHS_FNUM	Read-only	0x0000_0000
0x08–0x0C	Reserved	–	–	–
0x10	UDPHS Interrupt Enable Register	UDPHS_IEN	Read/Write	0x0000_0010
0x14	UDPHS Interrupt Status Register	UDPHS_INTSTA	Read-only	0x0000_0000
0x18	UDPHS Clear Interrupt Register	UDPHS_CLRINT	Write-only	–
0x1C	UDPHS Endpoints Reset Register	UDPHS_EPTRST	Write-only	–
0x20–0xCC	Reserved	–	–	–
0xE0	UDPHS Test Register	UDPHS_TST	Read/Write	0x0000_0000
0xE4–0xFC	Reserved	–	–	–
0x100 + endpoint * 0x20 + 0x00	UDPHS Endpoint Configuration Register	UDPHS_EPTCFG	Read/Write	0x0000_0000
0x100 + endpoint * 0x20 + 0x04	UDPHS Endpoint Control Enable Register	UDPHS_EPTCTLENB	Write-only	–
0x100 + endpoint * 0x20 + 0x08	UDPHS Endpoint Control Disable Register	UDPHS_EPTCTLDIS	Write-only	–
0x100 + endpoint * 0x20 + 0x0C	UDPHS Endpoint Control Register	UDPHS_EPTCTL	Read-only	0x0000_0000 ⁽¹⁾
0x100 + endpoint * 0x20 + 0x10	Reserved (for endpoint)	–	–	–
0x100 + endpoint * 0x20 + 0x14	UDPHS Endpoint Set Status Register	UDPHS_EPTSETSTA	Write-only	–
0x100 + endpoint * 0x20 + 0x18	UDPHS Endpoint Clear Status Register	UDPHS_EPTCLRSTA	Write-only	–
0x100 + endpoint * 0x20 + 0x1C	UDPHS Endpoint Status Register	UDPHS_EPTSTA	Read-only	0x0000_0040
0x120–0x2FC	UDPHS Endpoint1 to 15 ⁽²⁾ Registers	–	–	–
0x300 + channel * 0x10 + 0x00	UDPHS DMA Next Descriptor Address Register	UDPHS_DMANXTDSC	Read/Write	0x0000_0000
0x300 + channel * 0x10 + 0x04	UDPHS DMA Channel Address Register	UDPHS_DMAADDRESS	Read/Write	0x0000_0000
0x300 + channel * 0x10 + 0x08	UDPHS DMA Channel Control Register	UDPHS_DMACONTROL	Read/Write	0x0000_0000
0x300 + channel * 0x10 + 0x0C	UDPHS DMA Channel Status Register	UDPHS_DMASTATUS	Read/Write	0x0000_0000
0x310–0x36C	DMA Channel1 to 6 ⁽³⁾ Registers	–	–	–

Note 1: The reset value for UDPHS_EPTCTL0 is 0x0000_0001.

- 2:** The addresses for the UDPHS Endpoint registers shown here are for UDPHS Endpoint0. The structure of this group of registers is repeated successively for each endpoint according to the consecution of endpoint registers located between 0x120 and 0x2FC.
- 3:** The DMA channel index refers to the corresponding EP number. When no DMA channel is assigned to one EP, the associated registers are reserved. This is the case for EP0, so DMA Channel 0 registers are reserved.

SAMA5D3 SERIES

34.7.1 UDPHS Control Register

Name: UDPHS_CTRL

Address: 0xF8030000

Access: Read/Write

31	30	29	28	27	26	25	24
–	–	–	–	–	–	–	–
23	22	21	20	19	18	17	16
–	–	–	–	–	–	–	–
15	14	13	12	11	10	9	8
–	–	–	–	PULLD_DIS	REWAKEUP	DETACH	EN_UDPHS
7	6	5	4	3	2	1	0
FADDR_EN	DEV_ADDR						

DEV_ADDR: UDPHS Address (cleared upon USB reset)

This field contains the default address (0) after power-up or UDPHS bus reset (read), or it is written with the value set by a SET_ADDRESS request received by the device firmware (write).

FADDR_EN: Function Address Enable (cleared upon USB reset)

0: Device is not in address state (read), or only the default function address is used (write).

1: Device is in address state (read), or this bit is set by the device firmware after a successful status phase of a SET_ADDRESS transaction (write). When set, the only address accepted by the UDPHS controller is the one stored in the UDPHS Address field. It will not be cleared afterwards by the device firmware. It is cleared by hardware on hardware reset, or when UDPHS bus reset is received.

EN_UDPHS: UDPHS Enable

0: UDPHS is disabled (read), or this bit disables and resets the UDPHS controller (write). Switch the host to UTMI. .

1: UDPHS is enabled (read), or this bit enables the UDPHS controller (write). Switch the host to UTMI.

DETACH: Detach Command

0: UDPHS is attached (read), or this bit pulls up the DP line (attach command) (write).

1: UDPHS is detached, UTMI transceiver is suspended (read), or this bit simulates a detach on the UDPHS line and forces the UTMI transceiver into suspend state (Suspend M = 0) (write).

See PULLD_DIS description below.

REWAKEUP: Send Remote Wake Up (cleared upon USB reset)

0: Remote Wake Up is disabled (read), or this bit has no effect (write).

1: Remote Wake Up is enabled (read), or this bit forces an external interrupt on the UDPHS controller for Remote Wake UP purposes.

An Upstream Resume is sent only after the UDPHS bus has been in SUSPEND state for at least 5 ms.

This bit is automatically cleared by hardware at the end of the Upstream Resume.

PULLD_DIS: Pull-Down Disable (cleared upon USB reset)

When set, there is no pull-down on DP & DM. (DM Pull-Down = DP Pull-Down = 0).

Note: If the DETACH bit is also set, device DP & DM are left in high impedance state.

(See DETACH description above.)

DETACH	PULLD_DIS	DP	DM	Condition
0	0	Pull up	Pull down	Not recommended
0	1	Pull up	High impedance state	VBUS present
1	0	Pull down	Pull down	No VBUS
1	1	High impedance state	High impedance state	VBUS present & software disconnect

SAMA5D3 SERIES

34.7.2 UDPHS Frame Number Register

Name: UDPHS_FNUM

Address: 0xF8030004

Access: Read-only

31	30	29	28	27	26	25	24
FNUM_ERR	–	–	–	–	–	–	–
23	22	21	20	19	18	17	16
–	–	–	–	–	–	–	–
15	14	13	12	11	10	9	8
–	–	FRAME_NUMBER					
7	6	5	4	3	2	1	0
FRAME_NUMBER					MICRO_FRAME_NUM		

MICRO_FRAME_NUM: Microframe Number (cleared upon USB reset)

Number of the received microframe (0 to 7) in one frame. This field is reset at the beginning of each new frame (1 ms).

One microframe is received each 125 microseconds (1 ms/8).

FRAME_NUMBER: Frame Number as defined in the Packet Field Formats (cleared upon USB reset)

This field is provided in the last received SOF packet (see INT_SOF in the [UDPHS Interrupt Status Register](#)).

FNUM_ERR: Frame Number CRC Error (cleared upon USB reset)

This bit is set by hardware when a corrupted Frame Number in Start of Frame packet (or Micro SOF) is received.

This bit and the INT_SOF (or MICRO_SOF) interrupt are updated at the same time.

34.7.3 UDPHS Interrupt Enable Register

Name: UDPHS_IEN

Address: 0xF8030010

Access: Read/Write

31	30	29	28	27	26	25	24
DMA_7	DMA_6	DMA_5	DMA_4	DMA_3	DMA_2	DMA_1	–
23	22	21	20	19	18	17	16
EPT_15	EPT_14	EPT_13	EPT_12	EPT_11	EPT_10	EPT_9	EPT_8
15	14	13	12	11	10	9	8
EPT_7	EPT_6	EPT_5	EPT_4	EPT_3	EPT_2	EPT_1	EPT_0
7	6	5	4	3	2	1	0
UPSTR_RES	ENDOFRSM	WAKE_UP	ENDRESET	INT_SOF	MICRO_SOF	DET_SUSPD	–

DET_SUSPD: Suspend Interrupt Enable (cleared upon USB reset)

0: Disable Suspend Interrupt.

1: Enable Suspend Interrupt.

MICRO_SOF: Micro-SOF Interrupt Enable (cleared upon USB reset)

0: Disable Micro-SOF Interrupt.

1: Enable Micro-SOF Interrupt.

INT_SOF: SOF Interrupt Enable (cleared upon USB reset)

0: Disable SOF Interrupt.

1: Enable SOF Interrupt.

ENDRESET: End Of Reset Interrupt Enable (cleared upon USB reset)

0: Disable End Of Reset Interrupt.

1: Enable End Of Reset Interrupt. Automatically enabled after USB reset.

WAKE_UP: Wake Up CPU Interrupt Enable (cleared upon USB reset)

0: Disable Wake Up CPU Interrupt.

1: Enable Wake Up CPU Interrupt.

ENDOFRSM: End Of Resume Interrupt Enable (cleared upon USB reset)

0: Disable Resume Interrupt.

1: Enable Resume Interrupt.

UPSTR_RES: Upstream Resume Interrupt Enable (cleared upon USB reset)

0: Disable Upstream Resume Interrupt.

1: Enable Upstream Resume Interrupt.

EPT_x: Endpoint x Interrupt Enable (cleared upon USB reset)

0: Disable the interrupts for this endpoint.

1: Enable the interrupts for this endpoint.

DMA_x: DMA Channel x Interrupt Enable (cleared upon USB reset)

0: Disable the interrupts for this channel.

1: Enable the interrupts for this channel.

SAMA5D3 SERIES

34.7.4 UDPHS Interrupt Status Register

Name: UDPHS_INTSTA

Address: 0xF8030014

Access: Read-only

31	30	29	28	27	26	25	24
DMA_7	DMA_6	DMA_5	DMA_4	DMA_3	DMA_2	DMA_1	–
23	22	21	20	19	18	17	16
EPT_15	EPT_14	EPT_13	EPT_12	EPT_11	EPT_10	EPT_9	EPT_8
15	14	13	12	11	10	9	8
EPT_7	EPT_6	EPT_5	EPT_4	EPT_3	EPT_2	EPT_1	EPT_0
7	6	5	4	3	2	1	0
UPSTR_RES	ENDOFRSM	WAKE_UP	ENDRESET	INT_SOF	MICRO_SOF	DET_SUSPD	SPEED

SPEED: Speed Status

0: Reset by hardware when the hardware is in Full Speed mode.

1: Set by hardware when the hardware is in High Speed mode.

DET_SUSPD: Suspend Interrupt

0: Cleared by setting the DET_SUSPD bit in UDPHS_CLRINT register.

1: Set by hardware when a UDPHS Suspend (Idle bus for three frame periods, a J state for 3 ms) is detected. This triggers a UDPHS interrupt when the DET_SUSPD bit is set in UDPHS_IEN register.

MICRO_SOF: Micro Start Of Frame Interrupt

0: Cleared by setting the MICRO_SOF bit in UDPHS_CLRINT register.

1: Set by hardware when an UDPHS micro start of frame PID (SOF) has been detected (every 125 us) or synthesized by the macro. This triggers a UDPHS interrupt when the MICRO_SOF bit is set in UDPHS_IEN. In case of detected SOF, the MICRO_FRAME_NUM field in UDPHS_FNUM register is incremented and the FRAME_NUMBER field does not change.

Note: The Micro Start Of Frame Interrupt (MICRO_SOF), and the Start Of Frame Interrupt (INT_SOF) are not generated at the same time.

INT_SOF: Start Of Frame Interrupt

0: Cleared by setting the INT_SOF bit in UDPHS_CLRINT.

1: Set by hardware when an UDPHS Start Of Frame PID (SOF) has been detected (every 1 ms) or synthesized by the macro. This triggers a UDPHS interrupt when the INT_SOF bit is set in UDPHS_IEN register. In case of detected SOF, in High Speed mode, the MICRO_FRAME_NUMBER field is cleared in UDPHS_FNUM register and the FRAME_NUMBER field is updated.

ENDRESET: End Of Reset Interrupt

0: Cleared by setting the ENDRESET bit in UDPHS_CLRINT.

1: Set by hardware when an End Of Reset has been detected by the UDPHS controller. This triggers a UDPHS interrupt when the ENDRESET bit is set in UDPHS_IEN.

WAKE_UP: Wake Up CPU Interrupt

0: Cleared by setting the WAKE_UP bit in UDPHS_CLRINT.

1: Set by hardware when the UDPHS controller is in SUSPEND state and is re-activated by a filtered non-idle signal from the UDPHS line (not by an upstream resume). This triggers a UDPHS interrupt when the WAKE_UP bit is set in UDPHS_IEN register. When receiving this interrupt, the user has to enable the device controller clock prior to operation.

Note: this interrupt is generated even if the device controller clock is disabled.

ENDOFRSM: End Of Resume Interrupt

0: Cleared by setting the ENDOFRSM bit in UDPHS_CLRINT.

1: Set by hardware when the UDPHS controller detects a good end of resume signal initiated by the host. This triggers a UDPHS interrupt when the ENDOFRSM bit is set in UDPHS_IEN.

UPSTR_RES: Upstream Resume Interrupt

0: Cleared by setting the UPSTR_RES bit in UDPHS_CLRINT.

1: Set by hardware when the UDPHS controller is sending a resume signal called “upstream resume”. This triggers a UDPHS interrupt when the UPSTR_RES bit is set in UDPHS_IEN.

EPT_x: Endpoint x Interrupt (cleared upon USB reset)

0: Reset when the UDPHS_EPTSTAx interrupt source is cleared.

1: Set by hardware when an interrupt is triggered by the UDPHS_EPTSTAx register and this endpoint interrupt is enabled by the EPT_x bit in UDPHS_IEN.

DMA_x: DMA Channel x Interrupt

0: Reset when the UDPHS_DMASTATUSx interrupt source is cleared.

1: Set by hardware when an interrupt is triggered by the DMA Channelx and this endpoint interrupt is enabled by the DMA_x bit in UDPHS_IEN.

SAMA5D3 SERIES

34.7.5 UDPHS Clear Interrupt Register

Name: UDPHS_CLRINT

Address: 0xF8030018

Access: Write-only

31	30	29	28	27	26	25	24
–	–	–	–	–	–	–	–
23	22	21	20	19	18	17	16
–	–	–	–	–	–	–	–
15	14	13	12	11	10	9	8
–	–	–	–	–	–	–	–
7	6	5	4	3	2	1	0
UPSTR_RES	ENDOFRSM	WAKE_UP	ENDRESET	INT_SOF	MICRO_SOF	DET_SUSPD	–

DET_SUSPD: Suspend Interrupt Clear

0: No effect.

1: Clear the DET_SUSPD bit in UDPHS_INTSTA.

MICRO_SOF: Micro Start Of Frame Interrupt Clear

0: No effect.

1: Clear the MICRO_SOF bit in UDPHS_INTSTA.

INT_SOF: Start Of Frame Interrupt Clear

0: No effect.

1: Clear the INT_SOF bit in UDPHS_INTSTA.

ENDRESET: End Of Reset Interrupt Clear

0: No effect.

1: Clear the ENDRESET bit in UDPHS_INTSTA.

WAKE_UP: Wake Up CPU Interrupt Clear

0: No effect.

1: Clear the WAKE_UP bit in UDPHS_INTSTA.

ENDOFRSM: End Of Resume Interrupt Clear

0: No effect.

1: Clear the ENDOFRSM bit in UDPHS_INTSTA.

UPSTR_RES: Upstream Resume Interrupt Clear

0: No effect.

1: Clear the UPSTR_RES bit in UDPHS_INTSTA.

34.7.6 UDPHS Endpoints Reset Register

Name: UDPHS_EPTRST

Address: 0xF803001C

Access: Write-only

31	30	29	28	27	26	25	24
–	–	–	–	–	–	–	–
23	22	21	20	19	18	17	16
–	–	–	–	–	–	–	–
15	14	13	12	11	10	9	8
EPT_15	EPT_14	EPT_13	EPT_12	EPT_11	EPT_10	EPT_9	EPT_8
7	6	5	4	3	2	1	0
EPT_7	EPT_6	EPT_5	EPT_4	EPT_3	EPT_2	EPT_1	EPT_0

EPT_x: Endpoint x Reset

0: No effect.

1: Reset the Endpointx state.

Setting this bit clears all bits in the Endpoint status UDPHS_EPTSTAx register except the TOGGLESQ_STA field.

SAMA5D3 SERIES

34.7.7 UDPHS Test Register

Name: UDPHS_TST

Address: 0xF80300E0

Access: Read/Write

31	30	29	28	27	26	25	24
–	–	–	–	–	–	–	–
23	22	21	20	19	18	17	16
–	–	–	–	–	–	–	–
15	14	13	12	11	10	9	8
–	–	–	–	–	–	–	–
7	6	5	4	3	2	1	0
–	–	OPMODE2	TST_PKT	TST_K	TST_J	SPEED_CFG	

SPEED_CFG: Speed Configuration

Value	Name	Description
0	NORMAL	Normal mode: The macro is in Full Speed mode, ready to make a High Speed identification, if the host supports it and then to automatically switch to High Speed mode.
1	–	Reserved
2	HIGH_SPEED	Force High Speed: Set this value to force the hardware to work in High Speed mode. Only for debug or test purpose.
3	FULL_SPEED	Force Full Speed: Set this value to force the hardware to work only in Full Speed mode. In this configuration, the macro will not respond to a High Speed reset handshake.

TST_J: Test J Mode

0: No effect.

1: Set to send the J state on the UDPHS line. This enables the testing of the high output drive level on the D+ line.

TST_K: Test K Mode

0: No effect.

1: Set to send the K state on the UDPHS line. This enables the testing of the high output drive level on the D- line.

TST_PKT: Test Packet Mode

0: No effect.

1: Set to repetitively transmit the packet stored in the current bank. This enables the testing of rise and fall times, eye patterns, jitter, and any other dynamic waveform specifications.

OPMODE2: OpMode2

0: No effect.

1: Set to force the OpMode signal (UTMI interface) to “10”, to disable the bit-stuffing and the NRZI encoding.

Note: For the Test mode, Test_SE0_NAK (see Universal Serial Bus Specification, Revision 2.0: 7.1.20, Test Mode Support). Force the device in High Speed mode, and configure a bulk-type endpoint. Do not fill this endpoint for sending NAK to the host. Upon command, a port’s transceiver must enter the High Speed Receive mode and remain in that mode until the exit action is taken. This enables the testing of output impedance, low level output voltage and loading characteristics. In addition, while in this mode, upstream facing ports (and only upstream facing ports) must respond to any IN token packet with a NAK handshake (only if the packet CRC is determined to be correct) within the normal allowed device response time. This enables testing of the device squelch level circuitry and, additionally, provides a general purpose stimulus/response test for basic functional testing.

34.7.8 UDPHS Endpoint Configuration Register

Name: UDPHS_EPTCFGx [x=0..15]

Address: 0xF8030100 [0], 0xF8030120 [1], 0xF8030140 [2], 0xF8030160 [3], 0xF8030180 [4], 0xF80301A0 [5], 0xF80301C0 [6], 0xF80301E0 [7], 0xF8030200 [8], 0xF8030220 [9], 0xF8030240 [10], 0xF8030260 [11], 0xF8030280 [12], 0xF80302A0 [13], 0xF80302C0 [14], 0xF80302E0 [15]

Access: Read/Write

31	30	29	28	27	26	25	24
EPT_MAPD	–	–	–	–	–	–	–
23	22	21	20	19	18	17	16
–	–	–	–	–	–	–	–
15	14	13	12	11	10	9	8
–	–	–	–	–	–	NB_TRANS	
7	6	5	4	3	2	1	0
BK_NUMBER		EPT_TYPE		EPT_DIR	EPT_SIZE		

EPT_SIZE: Endpoint Size (cleared upon USB reset)

Set this field according to the endpoint size⁽¹⁾ in bytes (see [Section 34.6.6 Endpoint Configuration](#)).

Value	Name	Description
0	8	8 bytes
1	16	16 bytes
2	32	32 bytes
3	64	64 bytes
4	128	128 bytes
5	256	256 bytes
6	512	512 bytes
7	1024	1024 bytes

Note 1: 1024 bytes is only for isochronous endpoint.

EPT_DIR: Endpoint Direction (cleared upon USB reset)

0: Clear this bit to configure OUT direction for Bulk, Interrupt and Isochronous endpoints.

1: Set this bit to configure IN direction for Bulk, Interrupt and Isochronous endpoints.

For Control endpoints this bit has no effect and should be left at zero.

EPT_TYPE: Endpoint Type (cleared upon USB reset)

Set this field according to the endpoint type (see [Section 34.6.6 Endpoint Configuration](#)).

(Endpoint 0 should always be configured as control)

Value	Name	Description
0	CTRL8	Control endpoint
1	ISO	Isochronous endpoint
2	BULK	Bulk endpoint
3	INT	Interrupt endpoint

SAMA5D3 SERIES

BK_NUMBER: Number of Banks (cleared upon USB reset)

Set this field according to the endpoint's number of banks (see [Section 34.6.6 Endpoint Configuration](#)).

Value	Name	Description
0	0	Zero bank, the endpoint is not mapped in memory
1	1	One bank (bank 0)
2	2	Double bank (Ping-Pong: bank0/bank1)
3	3	Triple bank (bank0/bank1/bank2)

NB_TRANS: Number Of Transaction per Microframe (cleared upon USB reset)

The Number of transactions per microframe is set by software.

Note: Meaningful for high bandwidth isochronous endpoint only.

EPT_MAPD: Endpoint Mapped (cleared upon USB reset)

0: The user should reprogram the register with correct values.

1: Set by hardware when the endpoint size (EPT_SIZE) and the number of banks (BK_NUMBER) are correct regarding:

- The FIFO max capacity (FIFO_MAX_SIZE in UDPHS_IPFEATURES register)
- The number of endpoints/banks already allocated
- The number of allowed banks for this endpoint

34.7.9 UDPHS Endpoint Control Enable Register (Control, Bulk, Interrupt Endpoints)

Name: UDPHS_EPTCTLENBx [x=0..15]

Address: 0xF8030104 [0], 0xF8030124 [1], 0xF8030144 [2], 0xF8030164 [3], 0xF8030184 [4], 0xF80301A4 [5], 0xF80301C4 [6], 0xF80301E4 [7], 0xF8030204 [8], 0xF8030224 [9], 0xF8030244 [10], 0xF8030264 [11], 0xF8030284 [12], 0xF80302A4 [13], 0xF80302C4 [14], 0xF80302E4 [15]

Access: Write-only

31	30	29	28	27	26	25	24
SHRT_PCKT	–	–	–	–	–	–	–
23	22	21	20	19	18	17	16
–	–	–	–	–	BUSY_BANK	–	–
15	14	13	12	11	10	9	8
NAK_OUT	NAK_IN	STALL_SNT	RX_SETUP	TXRDY	TX_COMPLT	RXRDY_TXKL	ERR_OVFLW
7	6	5	4	3	2	1	0
–	–	–	NYET_DIS	INTDIS_DMA	–	AUTO_VALID	EPT_ENABL

This register view is relevant only if EPT_TYPE = 0x0, 0x2 or 0x3 in [UDPHS Endpoint Configuration Register](#).

For additional information, see [UDPHS Endpoint Control Register \(Control, Bulk, Interrupt Endpoints\)](#).

EPT_ENABL: Endpoint Enable

0: No effect.

1: Enable endpoint according to the device configuration.

AUTO_VALID: Packet Auto-Valid Enable

0: No effect.

1: Enable this bit to automatically validate the current packet and switch to the next bank for both IN and OUT transfers.

INTDIS_DMA: Interrupts Disable DMA

0: No effect.

1: If set, when an enabled endpoint-originated interrupt is triggered, the DMA request is disabled.

NYET_DIS: NYET Disable (Only for High Speed Bulk OUT endpoints)

0: No effect.

1: Forces an ACK response to the next High Speed Bulk OUT transfer instead of a NYET response.

ERR_OVFLW: Overflow Error Interrupt Enable

0: No effect.

1: Enable Overflow Error Interrupt.

RXRDY_TXKL: Received OUT Data Interrupt Enable

0: No effect.

1: Enable Received OUT Data Interrupt.

TX_COMPLT: Transmitted IN Data Complete Interrupt Enable

0: No effect.

1: Enable Transmitted IN Data Complete Interrupt.

TXRDY: TX Packet Ready Interrupt Enable

0: No effect.

1: Enable TX Packet Ready/Transaction Error Interrupt.

SAMA5D3 SERIES

RX_SETUP: Received SETUP

0: No effect.

1: Enable RX_SETUP Interrupt.

STALL_SNT: Stall Sent Interrupt Enable

0: No effect.

1: Enable Stall Sent Interrupt.

NAK_IN: NAKIN Interrupt Enable

0: No effect.

1: Enable NAKIN Interrupt.

NAK_OUT: NAKOUT Interrupt Enable

0: No effect.

1: Enable NAKOUT Interrupt.

BUSY_BANK: Busy Bank Interrupt Enable

0: No effect.

1: Enable Busy Bank Interrupt.

SHRT_PCKT: Short Packet Send/Short Packet Interrupt Enable

For OUT endpoints:

0: No effect.

1: Enable Short Packet Interrupt.

For IN endpoints: Ensures short packet at end of DMA Transfer if the UDPHS_DMACONTROLx register END_B_EN and UDPHS_EPTCTLx register AUTOVALID bits are also set.

34.7.10 UDPHS Endpoint Control Enable Register (Isochronous Endpoints)

Name: UDPHS_EPTCTLENBx [x=0..15] (ISOENDPT)

Address: 0xF8030104 [0], 0xF8030124 [1], 0xF8030144 [2], 0xF8030164 [3], 0xF8030184 [4], 0xF80301A4 [5], 0xF80301C4 [6], 0xF80301E4 [7], 0xF8030204 [8], 0xF8030224 [9], 0xF8030244 [10], 0xF8030264 [11], 0xF8030284 [12], 0xF80302A4 [13], 0xF80302C4 [14], 0xF80302E4 [15]

Access: Write-only

31	30	29	28	27	26	25	24
SHRT_PCKT	–	–	–	–	–	–	–
23	22	21	20	19	18	17	16
–	–	–	–	–	BUSY_BANK	–	–
15	14	13	12	11	10	9	8
–	ERR_FLUSH	ERR_CRC_NTR	ERR_FL_ISO	TXRDY_TRER	TX_COMPLT	RXRDY_TXKL	ERR_OVFLW
7	6	5	4	3	2	1	0
MDATA_RX	DATA_RX	–	–	INTDIS_DMA	–	AUTO_VALID	EPT_ENABL

This register view is relevant only if EPT_TYPE = 0x1 in [UDPHS Endpoint Configuration Register](#).

For additional information, see [UDPHS Endpoint Control Register \(Isochronous Endpoint\)](#).

EPT_ENABL: Endpoint Enable

0: No effect.

1: Enable endpoint according to the device configuration.

AUTO_VALID: Packet Auto-Valid Enable

0: No effect.

1: Enable this bit to automatically validate the current packet and switch to the next bank for both IN and OUT transfers.

INTDIS_DMA: Interrupts Disable DMA

0: No effect.

1: If set, when an enabled endpoint-originated interrupt is triggered, the DMA request is disabled.

DATA_RX: DATAx Interrupt Enable (Only for high bandwidth Isochronous OUT endpoints)

0: No effect.

1: Enable DATAx Interrupt.

MDATA_RX: MDATA Interrupt Enable (Only for high bandwidth Isochronous OUT endpoints)

0: No effect.

1: Enable MDATA Interrupt.

ERR_OVFLW: Overflow Error Interrupt Enable

0: No effect.

1: Enable Overflow Error Interrupt.

RXRDY_TXKL: Received OUT Data Interrupt Enable

0: No effect.

1: Enable Received OUT Data Interrupt.

TX_COMPLT: Transmitted IN Data Complete Interrupt Enable

0: No effect.

1: Enable Transmitted IN Data Complete Interrupt.

SAMA5D3 SERIES

TXRDY_TRER: TX Packet Ready/Transaction Error Interrupt Enable

0: No effect.

1: Enable TX Packet Ready/Transaction Error Interrupt.

ERR_FL_ISO: Error Flow Interrupt Enable

0: No effect.

1: Enable Error Flow ISO Interrupt.

ERR_CRC_NTR: ISO CRC Error/Number of Transaction Error Interrupt Enable

0: No effect.

1: Enable Error CRC ISO/Error Number of Transaction Interrupt.

ERR_FLUSH: Bank Flush Error Interrupt Enable

0: No effect.

1: Enable Bank Flush Error Interrupt.

BUSY_BANK: Busy Bank Interrupt Enable

0: No effect.

1: Enable Busy Bank Interrupt.

SHRT_PCKT: Short Packet Send/Short Packet Interrupt Enable

For OUT endpoints:

0: No effect.

1: Enable Short Packet Interrupt.

For IN endpoints: Ensures short packet at end of DMA Transfer if the UDPHS_DMACONTROLx register END_B_EN and UDPHS_EPTCTLx register AUTOVALID bits are also set.

34.7.11 UDPHS Endpoint Control Disable Register (Control, Bulk, Interrupt Endpoints)

Name: UDPHS_EPTCTLDISx [x=0..15]

Address: 0xF8030108 [0], 0xF8030128 [1], 0xF8030148 [2], 0xF8030168 [3], 0xF8030188 [4], 0xF80301A8 [5], 0xF80301C8 [6], 0xF80301E8 [7], 0xF8030208 [8], 0xF8030228 [9], 0xF8030248 [10], 0xF8030268 [11], 0xF8030288 [12], 0xF80302A8 [13], 0xF80302C8 [14], 0xF80302E8 [15]

Access: Write-only

31	30	29	28	27	26	25	24
SHRT_PCKT	–	–	–	–	–	–	–
23	22	21	20	19	18	17	16
–	–	–	–	–	BUSY_BANK	–	–
15	14	13	12	11	10	9	8
NAK_OUT	NAK_IN	STALL_SNT	RX_SETUP	TXRDY	TX_COMPLT	RXRDY_TXKL	ERR_OVFLW
7	6	5	4	3	2	1	0
–	–	–	NYET_DIS	INTDIS_DMA	–	AUTO_VALID	EPT_DISABL

This register view is relevant only if EPT_TYPE = 0x0, 0x2 or 0x3 in [UDPHS Endpoint Configuration Register](#).

For additional information, see [UDPHS Endpoint Control Register \(Control, Bulk, Interrupt Endpoints\)](#).

EPT_DISABL: Endpoint Disable

0: No effect.

1: Disable endpoint.

AUTO_VALID: Packet Auto-Valid Disable

0: No effect.

1: Disable this bit to not automatically validate the current packet.

INTDIS_DMA: Interrupts Disable DMA

0: No effect.

1: Disable the “Interrupts Disable DMA”.

NYET_DIS: NYET Enable (Only for High Speed Bulk OUT endpoints)

0: No effect.

1: Let the hardware handle the handshake response for the High Speed Bulk OUT transfer.

ERR_OVFLW: Overflow Error Interrupt Disable

0: No effect.

1: Disable Overflow Error Interrupt.

RXRDY_TXKL: Received OUT Data Interrupt Disable

0: No effect.

1: Disable Received OUT Data Interrupt.

TX_COMPLT: Transmitted IN Data Complete Interrupt Disable

0: No effect.

1: Disable Transmitted IN Data Complete Interrupt.

TXRDY: TX Packet Ready Interrupt Disable

0: No effect.

1: Disable TX Packet Ready/Transaction Error Interrupt.

SAMA5D3 SERIES

RX_SETUP: Received SETUP Interrupt Disable

0: No effect.

1: Disable RX_SETUP Interrupt.

STALL_SNT: Stall Sent Interrupt Disable

0: No effect.

1: Disable Stall Sent Interrupt.

NAK_IN: NAKIN Interrupt Disable

0: No effect.

1: Disable NAKIN Interrupt.

NAK_OUT: NAKOUT Interrupt Disable

0: No effect.

1: Disable NAKOUT Interrupt.

BUSY_BANK: Busy Bank Interrupt Disable

0: No effect.

1: Disable Busy Bank Interrupt.

SHRT_PCKT: Short Packet Interrupt Disable

For OUT endpoints:

0: No effect.

1: Disable Short Packet Interrupt.

For IN endpoints: Never automatically add a zero length packet at end of DMA transfer.

34.7.12 UDPHS Endpoint Control Disable Register (Isochronous Endpoint)

Name: UDPHS_EPTCTLDISx [x=0..15] (ISOENDPT)

Address: 0xF8030108 [0], 0xF8030128 [1], 0xF8030148 [2], 0xF8030168 [3], 0xF8030188 [4], 0xF80301A8 [5], 0xF80301C8 [6], 0xF80301E8 [7], 0xF8030208 [8], 0xF8030228 [9], 0xF8030248 [10], 0xF8030268 [11], 0xF8030288 [12], 0xF80302A8 [13], 0xF80302C8 [14], 0xF80302E8 [15]

Access: Write-only

31	30	29	28	27	26	25	24
SHRT_PCKT	–	–	–	–	–	–	–
23	22	21	20	19	18	17	16
–	–	–	–	–	BUSY_BANK	–	–
15	14	13	12	11	10	9	8
–	ERR_FLUSH	ERR_CRC_NT R	ERR_FL_ISO	TXRDY_TRER	TX_COMPLT	RXRDY_TXKL	ERR_OVFLW
7	6	5	4	3	2	1	0
MDATA_RX	DATA_X_RX	–	–	INTDIS_DMA	–	AUTO_VALID	EPT_DISABL

This register view is relevant only if EPT_TYPE = 0x1 in [UDPHS Endpoint Configuration Register](#).

For additional information, see [UDPHS Endpoint Control Register \(Isochronous Endpoint\)](#).

EPT_DISABL: Endpoint Disable

0: No effect.

1: Disable endpoint.

AUTO_VALID: Packet Auto-Valid Disable

0: No effect.

1: Disable this bit to not automatically validate the current packet.

INTDIS_DMA: Interrupts Disable DMA

0: No effect.

1: Disable the “Interrupts Disable DMA”.

DATA_X_RX: DATAx Interrupt Disable (Only for High Bandwidth Isochronous OUT endpoints)

0: No effect.

1: Disable DATAx Interrupt.

MDATA_RX: MDATA Interrupt Disable (Only for High Bandwidth Isochronous OUT endpoints)

0: No effect.

1: Disable MDATA Interrupt.

ERR_OVFLW: Overflow Error Interrupt Disable

0: No effect.

1: Disable Overflow Error Interrupt.

RXRDY_TXKL: Received OUT Data Interrupt Disable

0: No effect.

1: Disable Received OUT Data Interrupt.

SAMA5D3 SERIES

TX_COMPLT: Transmitted IN Data Complete Interrupt Disable

0: No effect.

1: Disable Transmitted IN Data Complete Interrupt.

TXRDY_TRER: TX Packet Ready/Transaction Error Interrupt Disable

0: No effect.

1: Disable TX Packet Ready/Transaction Error Interrupt.

ERR_FL_ISO: Error Flow Interrupt Disable

0: No effect.

1: Disable Error Flow ISO Interrupt.

ERR_CRC_NTR: ISO CRC Error/Number of Transaction Error Interrupt Disable

0: No effect.

1: Disable Error CRC ISO/Error Number of Transaction Interrupt.

ERR_FLUSH: bank flush error Interrupt Disable

0: No effect.

1: Disable Bank Flush Error Interrupt.

BUSY_BANK: Busy Bank Interrupt Disable

0: No effect.

1: Disable Busy Bank Interrupt.

SHRT_PCKT: Short Packet Interrupt Disable

For OUT endpoints:

0: No effect.

1: Disable Short Packet Interrupt.

For IN endpoints: Never automatically add a zero length packet at end of DMA transfer.

34.7.13 UDPHS Endpoint Control Register (Control, Bulk, Interrupt Endpoints)

Name: UDPHS_EPTCTLx [x=0..15]

Address: 0xF803010C [0], 0xF803012C [1], 0xF803014C [2], 0xF803016C [3], 0xF803018C [4], 0xF80301AC [5], 0xF80301CC [6], 0xF80301EC [7], 0xF803020C [8], 0xF803022C [9], 0xF803024C [10], 0xF803026C [11], 0xF803028C [12], 0xF80302AC [13], 0xF80302CC [14], 0xF80302EC [15]

Access: Read-only

31	30	29	28	27	26	25	24
SHRT_PCKT	–	–	–	–	–	–	–
23	22	21	20	19	18	17	16
–	–	–	–	–	BUSY_BANK	–	–
15	14	13	12	11	10	9	8
NAK_OUT	NAK_IN	STALL_SNT	RX_SETUP	TXRDY	TX_COMPLT	RXRDY_TXKL	ERR_OVFLW
7	6	5	4	3	2	1	0
–	–	–	NYET_DIS	INTDIS_DMA	–	AUTO_VALID	EPT_ENABL

This register view is relevant only if EPT_TYPE = 0x0, 0x2 or 0x3 in [UDPHS Endpoint Configuration Register](#).

EPT_ENABL: Endpoint Enable (cleared upon USB reset)

0: The endpoint is disabled according to the device configuration. Endpoint 0 should always be enabled after a hardware or UDPHS bus reset and participate in the device configuration.

1: The endpoint is enabled according to the device configuration.

AUTO_VALID: Packet Auto-Valid Enabled (Not for CONTROL Endpoints) (cleared upon USB reset)

Set this bit to automatically validate the current packet and switch to the next bank for both IN and OUT endpoints.

For IN Transfer:

If this bit is set, the UDPHS_EPTSTAx register TXRDY bit is set automatically when the current bank is full and at the end of DMA buffer if the UDPHS_DMACONTROLx register END_B_EN bit is set.

The user may still set the UDPHS_EPTSTAx register TXRDY bit if the current bank is not full, unless the user needs to send a Zero Length Packet by software.

For OUT Transfer:

If this bit is set, the UDPHS_EPTSTAx register RXRDY_TXKL bit is automatically reset for the current bank when the last packet byte has been read from the bank FIFO or at the end of DMA buffer if the UDPHS_DMACONTROLx register END_B_EN bit is set. For example, to truncate a padded data packet when the actual data transfer size is reached.

The user may still clear the UDPHS_EPTSTAx register RXRDY_TXKL bit, for example, after completing a DMA buffer by software if UDPHS_DMACONTROLx register END_B_EN bit was disabled or in order to cancel the read of the remaining data bank(s).

INTDIS_DMA: Interrupt Disables DMA (cleared upon USB reset)

If set, when an enabled endpoint-originated interrupt is triggered, the DMA request is disabled regardless of the UDPHS_IEN register EPT_x bit for this endpoint. Then, the firmware will have to clear or disable the interrupt source or clear this bit if transfer completion is needed.

If the exception raised is associated with the new system bank packet, then the previous DMA packet transfer is normally completed, but the new DMA packet transfer is not started (not requested).

If the exception raised is not associated to a new system bank packet (NAK_IN, NAK_OUT...), then the request cancellation may happen at any time and may immediately stop the current DMA transfer.

SAMA5D3 SERIES

This may be used, for example, to identify or prevent an erroneous packet to be transferred into a buffer or to complete a DMA buffer by software after reception of a short packet.

NYET_DIS: NYET Disable (Only for High Speed Bulk OUT Endpoints) (cleared upon USB reset)

0: Lets the hardware handle the handshake response for the High Speed Bulk OUT transfer.

1: Forces an ACK response to the next High Speed Bulk OUT transfer instead of a NYET response.

Note: According to the *Universal Serial Bus Specification, Rev 2.0* (8.5.1.1 NAK Responses to OUT/DATA During PING Protocol), a NAK response to an HS Bulk OUT transfer is expected to be an unusual occurrence.

ERR_OVFLW: Overflow Error Interrupt Enabled (cleared upon USB reset)

0: Overflow Error Interrupt is masked.

1: Overflow Error Interrupt is enabled.

RXRDY_TXKL: Received OUT Data Interrupt Enabled (cleared upon USB reset)

0: Received OUT Data Interrupt is masked.

1: Received OUT Data Interrupt is enabled.

TX_COMPLT: Transmitted IN Data Complete Interrupt Enabled (cleared upon USB reset)

0: Transmitted IN Data Complete Interrupt is masked.

1: Transmitted IN Data Complete Interrupt is enabled.

TXRDY: TX Packet Ready Interrupt Enabled (cleared upon USB reset)

0: TX Packet Ready Interrupt is masked.

1: TX Packet Ready Interrupt is enabled.

Caution: Interrupt source is active as long as the corresponding UDPHS_EPTSTAx register TXRDY flag remains low. If there are no more banks available for transmitting after the software has set UDPHS_EPTSTAx/TXRDY for the last transmit packet, then the interrupt source remains inactive until the first bank becomes free again to transmit at UDPHS_EPTSTAx/TXRDY hardware clear.

RX_SETUP: Received SETUP Interrupt Enabled (cleared upon USB reset)

0: Received SETUP is masked.

1: Received SETUP is enabled.

STALL_SNT: Stall Sent Interrupt Enabled (cleared upon USB reset)

0: Stall Sent Interrupt is masked.

1: Stall Sent Interrupt is enabled.

NAK_IN: NAKIN Interrupt Enabled (cleared upon USB reset)

0: NAKIN Interrupt is masked.

1: NAKIN Interrupt is enabled.

NAK_OUT: NAKOUT Interrupt Enabled (cleared upon USB reset)

0: NAKOUT Interrupt is masked.

1: NAKOUT Interrupt is enabled.

BUSY_BANK: Busy Bank Interrupt Enabled (cleared upon USB reset)

0: BUSY_BANK Interrupt is masked.

1: BUSY_BANK Interrupt is enabled.

For OUT endpoints: an interrupt is sent when all banks are busy.

For IN endpoints: an interrupt is sent when all banks are free.

SHRT_PCKT: Short Packet Interrupt Enabled (cleared upon USB reset)

For OUT endpoints: send an Interrupt when a Short Packet has been received.

0: Short Packet Interrupt is masked.

1: Short Packet Interrupt is enabled.

For IN endpoints: a Short Packet transmission is ensured upon end of the DMA Transfer, thus signaling a BULK or INTERRUPT end of transfer, but only if the UDPHS_DMACONTROLx register END_B_EN and UDPHS_EPTCTLx register AUTO_VALID bits are also set.

SAMA5D3 SERIES

34.7.14 UDPHS Endpoint Control Register (Isochronous Endpoint)

Name: UDPHS_EPTCTLx [x=0..15] (ISOENDPT)

Address: 0xF803010C [0], 0xF803012C [1], 0xF803014C [2], 0xF803016C [3], 0xF803018C [4], 0xF80301AC [5], 0xF80301CC [6], 0xF80301EC [7], 0xF803020C [8], 0xF803022C [9], 0xF803024C [10], 0xF803026C [11], 0xF803028C [12], 0xF80302AC [13], 0xF80302CC [14], 0xF80302EC [15]

Access: Read-only

31	30	29	28	27	26	25	24
SHRT_PCKT	–	–	–	–	–	–	–
23	22	21	20	19	18	17	16
–	–	–	–	–	BUSY_BANK	–	–
15	14	13	12	11	10	9	8
–	ERR_FLUSH	ERR_CRC_NTR	ERR_FL_ISO	TXRDY_TRER	TX_COMPLT	RXRDY_TXKL	ERR_OVFLW
7	6	5	4	3	2	1	0
MDATA_RX	DATA_RX	–	–	INTDIS_DMA	–	AUTO_VALID	EPT_ENABL

This register view is relevant only if EPT_TYPE = 0x1 in [UDPHS Endpoint Configuration Register](#).

EPT_ENABL: Endpoint Enable (cleared upon USB reset)

0: The endpoint is disabled according to the device configuration. Endpoint 0 should always be enabled after a hardware or UDPHS bus reset and participate in the device configuration.

1: The endpoint is enabled according to the device configuration.

AUTO_VALID: Packet Auto-Valid Enabled (cleared upon USB reset)

Set this bit to automatically validate the current packet and switch to the next bank for both IN and OUT endpoints.

For IN Transfer:

If this bit is set, the UDPHS_EPTSTAx register TXRDY_TRER bit is set automatically when the current bank is full and at the end of DMA buffer if the UDPHS_DMACONTROLx register END_B_EN bit is set.

The user may still set the UDPHS_EPTSTAx register TXRDY_TRER bit if the current bank is not full, unless the user needs to send a Zero Length Packet by software.

For OUT Transfer:

If this bit is set, the UDPHS_EPTSTAx register RXRDY_TXKL bit is automatically reset for the current bank when the last packet byte has been read from the bank FIFO or at the end of DMA buffer if the UDPHS_DMACONTROLx register END_B_EN bit is set. For example, to truncate a padded data packet when the actual data transfer size is reached.

The user may still clear the UDPHS_EPTSTAx register RXRDY_TXKL bit, for example, after completing a DMA buffer by software if UDPHS_DMACONTROLx register END_B_EN bit was disabled or in order to cancel the read of the remaining data bank(s).

INTDIS_DMA: Interrupt Disables DMA (cleared upon USB reset)

If set, when an enabled endpoint-originated interrupt is triggered, the DMA request is disabled regardless of the UDPHS_IEN register EPT_x bit for this endpoint. Then, the firmware will have to clear or disable the interrupt source or clear this bit if transfer completion is needed.

If the exception raised is associated with the new system bank packet, then the previous DMA packet transfer is normally completed, but the new DMA packet transfer is not started (not requested).

If the exception raised is not associated to a new system bank packet (ex: ERR_FL_ISO), then the request cancellation may happen at any time and may immediately stop the current DMA transfer.

This may be used, for example, to identify or prevent an erroneous packet to be transferred into a buffer or to complete a DMA buffer by software after reception of a short packet, or to perform buffer truncation on ERR_FL_ISO interrupt for adaptive rate.

DATA_RX: DATAx Interrupt Enabled (Only for High Bandwidth Isochronous OUT endpoints) (cleared upon USB reset)

0: No effect.

1: Send an interrupt when a DATA2, DATA1 or DATA0 packet has been received meaning the whole microframe data payload has been received.

MDATA_RX: MDATA Interrupt Enabled (Only for High Bandwidth Isochronous OUT endpoints) (cleared upon USB reset)

0: No effect.

1: Send an interrupt when an MDATA packet has been received and so at least one packet of the microframe data payload has been received.

ERR_OVFLW: Overflow Error Interrupt Enabled (cleared upon USB reset)

0: Overflow Error Interrupt is masked.

1: Overflow Error Interrupt is enabled.

RXRDY_TXKL: Received OUT Data Interrupt Enabled (cleared upon USB reset)

0: Received OUT Data Interrupt is masked.

1: Received OUT Data Interrupt is enabled.

TX_COMPLT: Transmitted IN Data Complete Interrupt Enabled (cleared upon USB reset)

0: Transmitted IN Data Complete Interrupt is masked.

1: Transmitted IN Data Complete Interrupt is enabled.

TXRDY_TRER: TX Packet Ready/Transaction Error Interrupt Enabled (cleared upon USB reset)

0: TX Packet Ready/Transaction Error Interrupt is masked.

1: TX Packet Ready/Transaction Error Interrupt is enabled.

Caution: Interrupt source is active as long as the corresponding UDPHS_EPTSTAx register TXRDY_TRER flag remains low. If there are no more banks available for transmitting after the software has set UDPHS_EPTSTAx/TXRDY_TRER for the last transmit packet, then the interrupt source remains inactive until the first bank becomes free again to transmit at UDPHS_EPTSTAx/TXRDY_TRER hardware clear.

ERR_FL_ISO: Error Flow Interrupt Enabled (cleared upon USB reset)

0: Error Flow Interrupt is masked.

1: Error Flow Interrupt is enabled.

ERR_CRC_NTR: ISO CRC Error/Number of Transaction Error Interrupt Enabled (cleared upon USB reset)

0: ISO CRC error/number of Transaction Error Interrupt is masked.

1: ISO CRC error/number of Transaction Error Interrupt is enabled.

ERR_FLUSH: Bank Flush Error Interrupt Enabled (cleared upon USB reset)

0: Bank Flush Error Interrupt is masked.

1: Bank Flush Error Interrupt is enabled.

BUSY_BANK: Busy Bank Interrupt Enabled (cleared upon USB reset)

0: BUSY_BANK Interrupt is masked.

1: BUSY_BANK Interrupt is enabled.

For OUT endpoints: An interrupt is sent when all banks are busy.

For IN endpoints: An interrupt is sent when all banks are free.

SAMA5D3 SERIES

SHRT_PCKT: Short Packet Interrupt Enabled (cleared upon USB reset)

For OUT endpoints: send an Interrupt when a Short Packet has been received.

0: Short Packet Interrupt is masked.

1: Short Packet Interrupt is enabled.

For IN endpoints: A Short Packet transmission is ensured upon end of the DMA Transfer, thus signaling an end of isochronous (micro-)frame data, but only if the UDPHS_DMACONTROLx register END_B_EN and UDPHS_EPTCTLx register AUTO_VALID bits are also set.

34.7.15 UDPHS Endpoint Set Status Register (Control, Bulk, Interrupt Endpoints)

Name: UDPHS_EPTSETSTAx [x=0..15]

Address: 0xF8030114 [0], 0xF8030134 [1], 0xF8030154 [2], 0xF8030174 [3], 0xF8030194 [4], 0xF80301B4 [5], 0xF80301D4 [6], 0xF80301F4 [7], 0xF8030214 [8], 0xF8030234 [9], 0xF8030254 [10], 0xF8030274 [11], 0xF8030294 [12], 0xF80302B4 [13], 0xF80302D4 [14], 0xF80302F4 [15]

Access: Write-only

31	30	29	28	27	26	25	24
–	–	–	–	–	–	–	–
23	22	21	20	19	18	17	16
–	–	–	–	–	–	–	–
15	14	13	12	11	10	9	8
–	–	–	–	TXRDY	–	RXRDY_TXKL	–
7	6	5	4	3	2	1	0
–	–	FRCESTALL	–	–	–	–	–

This register view is relevant only if EPT_TYPE = 0x0, 0x2 or 0x3 in [UDPHS Endpoint Configuration Register](#).

For additional information, see [UDPHS Endpoint Status Register \(Control, Bulk, Interrupt Endpoints\)](#).

FRCESTALL: Stall Handshake Request Set

0: No effect.

1: Set this bit to request a STALL answer to the host for the next handshake

Refer to chapters 8.4.5 (Handshake Packets) and 9.4.5 (Get Status) of the *Universal Serial Bus Specification, Rev 2.0* for more information on the STALL handshake.

RXRDY_TXKL: KILL Bank Set (for IN Endpoint)

0: No effect.

1: Kill the last written bank.

TXRDY: TX Packet Ready Set

0: No effect.

1: Set this bit after a packet has been written into the endpoint FIFO for IN data transfers

- This flag is used to generate a Data IN transaction (device to host).
- Device firmware checks that it can write a data payload in the FIFO, checking that TXRDY is cleared.
- Transfer to the FIFO is done by writing in the “Buffer Address” register.
- Once the data payload has been transferred to the FIFO, the firmware notifies the UDPHS device setting TXRDY to one.
- UDPHS bus transactions can start.
- TXCOMP is set once the data payload has been received by the host.
- Data should be written into the endpoint FIFO only after this bit has been cleared.
- Set this bit without writing data to the endpoint FIFO to send a Zero Length Packet.

SAMA5D3 SERIES

34.7.16 UDPHS Endpoint Set Status Register (Isochronous Endpoint)

Name: UDPHS_EPTSETSTAx [x=0..15] (ISOENDPT)

Address: 0xF8030114 [0], 0xF8030134 [1], 0xF8030154 [2], 0xF8030174 [3], 0xF8030194 [4], 0xF80301B4 [5], 0xF80301D4 [6], 0xF80301F4 [7], 0xF8030214 [8], 0xF8030234 [9], 0xF8030254 [10], 0xF8030274 [11], 0xF8030294 [12], 0xF80302B4 [13], 0xF80302D4 [14], 0xF80302F4 [15]

Access: Write-only

31	30	29	28	27	26	25	24
–	–	–	–	–	–	–	–
23	22	21	20	19	18	17	16
–	–	–	–	–	–	–	–
15	14	13	12	11	10	9	8
–	–	–	–	TXRDY_TRER	–	RXRDY_TXKL	–
7	6	5	4	3	2	1	0
–	–	–	–	–	–	–	–

This register view is relevant only if EPT_TYPE = 0x1 in [UDPHS Endpoint Configuration Register](#).

For additional information, see [UDPHS Endpoint Status Register \(Isochronous Endpoint\)](#).

RXRDY_TXKL: KILL Bank Set (for IN Endpoint)

0: No effect.

1: Kill the last written bank.

TXRDY_TRER: TX Packet Ready Set

0: No effect.

1: Set this bit after a packet has been written into the endpoint FIFO for IN data transfers

- This flag is used to generate a Data IN transaction (device to host).
- Device firmware checks that it can write a data payload in the FIFO, checking that TXRDY_TRER is cleared.
- Transfer to the FIFO is done by writing in the “Buffer Address” register.
- Once the data payload has been transferred to the FIFO, the firmware notifies the UDPHS device setting TXRDY_TRER to one.
- UDPHS bus transactions can start.
- TXCOMP is set once the data payload has been sent.
- Data should be written into the endpoint FIFO only after this bit has been cleared.
- Set this bit without writing data to the endpoint FIFO to send a Zero Length Packet.

34.7.17 UDPHS Endpoint Clear Status Register (Control, Bulk, Interrupt Endpoints)

Name: UDPHS_EPTCLRSTAx [x=0..15]

Address: 0xF8030118 [0], 0xF8030138 [1], 0xF8030158 [2], 0xF8030178 [3], 0xF8030198 [4], 0xF80301B8 [5], 0xF80301D8 [6], 0xF80301F8 [7], 0xF8030218 [8], 0xF8030238 [9], 0xF8030258 [10], 0xF8030278 [11], 0xF8030298 [12], 0xF80302B8 [13], 0xF80302D8 [14], 0xF80302F8 [15]

Access: Write-only

31	30	29	28	27	26	25	24
–	–	–	–	–	–	–	–
23	22	21	20	19	18	17	16
–	–	–	–	–	–	–	–
15	14	13	12	11	10	9	8
NAK_OUT	NAK_IN	STALL_SNT	RX_SETUP	–	TX_COMPLT	RXRDY_TXKL	–
7	6	5	4	3	2	1	0
–	TOGGLESQ	FRCESTALL	–	–	–	–	–

This register view is relevant only if EPT_TYPE = 0x0, 0x2 or 0x3 in [UDPHS Endpoint Configuration Register](#).

For additional information, see [UDPHS Endpoint Status Register \(Control, Bulk, Interrupt Endpoints\)](#).

FRCESTALL: Stall Handshake Request Clear

0: No effect.

1: Clear the STALL request. The next packets from host will not be STALLED.

TOGGLESQ: Data Toggle Clear

0: No effect.

1: Clear the PID data of the current bank

For OUT endpoints, the next received packet should be a DATA0.

For IN endpoints, the next packet will be sent with a DATA0 PID.

RXRDY_TXKL: Received OUT Data Clear

0: No effect.

1: Clear the RXRDY_TXKL flag of UDPHS_EPTSTAx.

TX_COMPLT: Transmitted IN Data Complete Clear

0: No effect.

1: Clear the TX_COMPLT flag of UDPHS_EPTSTAx.

RX_SETUP: Received SETUP Clear

0: No effect.

1: Clear the RX_SETUP flags of UDPHS_EPTSTAx.

STALL_SNT: Stall Sent Clear

0: No effect.

1: Clear the STALL_SNT flags of UDPHS_EPTSTAx.

NAK_IN: NAKIN Clear

0: No effect.

1: Clear the NAK_IN flags of UDPHS_EPTSTAx.

SAMA5D3 SERIES

NAK_OUT: NAKOUT Clear

0: No effect.

1: Clear the NAK_OUT flag of UDPHS_EPTSTAx.

34.7.18 UDPHS Endpoint Clear Status Register (Isochronous Endpoint)

Name: UDPHS_EPTCLRSTAx [x=0..15] (ISOENDPT)

Address: 0xF8030118 [0], 0xF8030138 [1], 0xF8030158 [2], 0xF8030178 [3], 0xF8030198 [4], 0xF80301B8 [5], 0xF80301D8 [6], 0xF80301F8 [7], 0xF8030218 [8], 0xF8030238 [9], 0xF8030258 [10], 0xF8030278 [11], 0xF8030298 [12], 0xF80302B8 [13], 0xF80302D8 [14], 0xF80302F8 [15]

Access: Write-only

31	30	29	28	27	26	25	24
–	–	–	–	–	–	–	–
23	22	21	20	19	18	17	16
–	–	–	–	–	–	–	–
15	14	13	12	11	10	9	8
–	ERR_FLUSH	ERR_CRC_NTR	ERR_FL_ISO	–	TX_COMPLT	RXRDY_TXKL	–
7	6	5	4	3	2	1	0
–	TOGGLESQ	–	–	–	–	–	–

This register view is relevant only if EPT_TYPE = 0x1 in [UDPHS Endpoint Configuration Register](#).

For additional information, see [UDPHS Endpoint Status Register \(Isochronous Endpoint\)](#).

TOGGLESQ: Data Toggle Clear

0: No effect.

1: Clear the PID data of the current bank

For OUT endpoints, the next received packet should be a DATA0.

For IN endpoints, the next packet will be sent with a DATA0 PID.

RXRDY_TXKL: Received OUT Data Clear

0: No effect.

1: Clear the RXRDY_TXKL flag of UDPHS_EPTSTAx.

TX_COMPLT: Transmitted IN Data Complete Clear

0: No effect.

1: Clear the TX_COMPLT flag of UDPHS_EPTSTAx.

ERR_FL_ISO: Error Flow Clear

0: No effect.

1: Clear the ERR_FL_ISO flags of UDPHS_EPTSTAx.

ERR_CRC_NTR: Number of Transaction Error Clear

0: No effect.

1: Clear the ERR_CRC_NTR flags of UDPHS_EPTSTAx.

ERR_FLUSH: Bank Flush Error Clear

0: No effect.

1: Clear the ERR_FLUSH flags of UDPHS_EPTSTAx.

SAMA5D3 SERIES

34.7.19 UDPHS Endpoint Status Register (Control, Bulk, Interrupt Endpoints)

Name: UDPHS_EPTSTAx [x=0..15]

Address: 0xF803011C [0], 0xF803013C [1], 0xF803015C [2], 0xF803017C [3], 0xF803019C [4], 0xF80301BC [5], 0xF80301DC [6], 0xF80301FC [7], 0xF803021C [8], 0xF803023C [9], 0xF803025C [10], 0xF803027C [11],

Access: Read-only

31	30	29	28	27	26	25	24
SHRT_PCKT		BYTE_COUNT					
23	22	21	20	19	18	17	16
BYTE_COUNT				BUSY_BANK_STA		CURBK_CTLDIR	
15	14	13	12	11	10	9	8
NAK_OUT	NAK_IN	STALL_SNT	RX_SETUP	TXRDY	TX_COMPLT	RXRDY_TXKL	ERR_OVFLW
7	6	5	4	3	2	1	0
TOGGLESQ_STA		FRCESTALL	–	–	–	–	–

This register view is relevant only if EPT_TYPE = 0x0, 0x2 or 0x3 in [UDPHS Endpoint Configuration Register](#).

FRCESTALL: Stall Handshake Request (cleared upon USB reset)

0: No effect.

1: If set a STALL answer will be done to the host for the next handshake.

This bit is reset by hardware upon received SETUP.

TOGGLESQ_STA: Toggle Sequencing (cleared upon USB reset)

Toggle Sequencing:

- **IN endpoint:** It indicates the PID Data Toggle that will be used for the next packet sent. This is not relative to the current bank.
- **CONTROL and OUT endpoint:**

These bits are set by hardware to indicate the PID data of the current bank:

Value	Name	Description
0	DATA0	DATA0
1	DATA1	DATA1
2	DATA2	Reserved for High Bandwidth Isochronous Endpoint
3	MDATA	Reserved for High Bandwidth Isochronous Endpoint

Note 1: In OUT transfer, the Toggle information is meaningful only when the current bank is busy (Received OUT Data = 1).

2: These bits are updated for OUT transfer:

- A new data has been written into the current bank.
- The user has just cleared the Received OUT Data bit to switch to the next bank.

3: This field is reset to DATA1 by the UDPHS_EPTCLRSTAx register TOGGLESQ bit, and by UDPHS_EPTCTLDISx (disable endpoint).

ERR_OVFLW: Overflow Error (cleared upon USB reset)

This bit is set by hardware when a new too-long packet is received.

Example: If the user programs an endpoint 64 bytes wide and the host sends 128 bytes in an OUT transfer, then the Overflow Error bit is set.

This bit is updated at the same time as the BYTE_COUNT field.

This bit is reset by UDPHS_EPTRST register EPT_x (reset endpoint) and by UDPHS_EPTCTLDISx (disable endpoint).

RXRDY_TXKL: Received OUT Data/KILL Bank (cleared upon USB reset)

- **Received OUT Data** (for OUT endpoint or Control endpoint):

This bit is set by hardware after a new packet has been stored in the endpoint FIFO.

This bit is cleared by the device firmware after reading the OUT data from the endpoint.

For multi-bank endpoints, this bit may remain active even when cleared by the device firmware, this if an other packet has been received meanwhile.

Hardware assertion of this bit may generate an interrupt if enabled by the UDPHS_EPTCTLx register RXRDY_TXKL bit.

This bit is reset by UDPHS_EPTRST register EPT_x (reset endpoint) and by UDPHS_EPTCTLDISx (disable endpoint).

- **KILL Bank** (for IN endpoint):
 - The bank is really cleared or the bank is sent, BUSY_BANK_STA is decremented.
 - The bank is not cleared but sent on the IN transfer, TX_COMPLT
 - The bank is not cleared because it was empty. The user should wait that this bit is cleared before trying to clear another packet.

Note: “Kill a packet” may be refused if at the same time, an IN token is coming and the current packet is sent on the UDPHS line. In this case, the TX_COMPLT bit is set. Take notice however, that if at least two banks are ready to be sent, there is no problem to kill a packet even if an IN token is coming. In fact, in that case, the current bank is sent (IN transfer) and the last bank is killed.

TX_COMPLT: Transmitted IN Data Complete (cleared upon USB reset)

This bit is set by hardware after an IN packet has been accepted (ACK'ed) by the host.

This bit is reset by UDPHS_EPTRST register EPT_x (reset endpoint), and by UDPHS_EPTCTLDISx (disable endpoint).

TXRDY: TX Packet Ready (cleared upon USB reset)

This bit is cleared by hardware after the host has acknowledged the packet.

For Multi-bank endpoints, this bit may remain clear even after software is set if another bank is available to transmit.

Hardware clear of this bit may generate an interrupt if enabled by the UDPHS_EPTCTLx register TXRDY bit.

This bit is reset by UDPHS_EPTRST register EPT_x (reset endpoint), and by UDPHS_EPTCTLDISx (disable endpoint).

RX_SETUP: Received SETUP (cleared upon USB reset)

- (for Control endpoint only)

This bit is set by hardware when a valid SETUP packet has been received from the host.

It is cleared by the device firmware after reading the SETUP data from the endpoint FIFO.

This bit is reset by UDPHS_EPTRST register EPT_x (reset endpoint), and by UDPHS_EPTCTLDISx (disable endpoint).

STALL_SNT: Stall Sent (cleared upon USB reset)

- (for Control, Bulk and Interrupt endpoints)

This bit is set by hardware after a STALL handshake has been sent as requested by the UDPHS_EPTSTAx register FRCESTALL bit.

This bit is reset by UDPHS_EPTRST register EPT_x (reset endpoint) and by UDPHS_EPTCTLDISx (disable endpoint).

NAK_IN: NAK IN (cleared upon USB reset)

This bit is set by hardware when a NAK handshake has been sent in response to an IN request from the Host.

This bit is cleared by software.

NAK_OUT: NAK OUT (cleared upon USB reset)

This bit is set by hardware when a NAK handshake has been sent in response to an OUT or PING request from the Host.

This bit is reset by UDPHS_EPTRST register EPT_x (reset endpoint) and by EPT_CTL_DISx (disable endpoint).

CURBK_CTLDIR: Current Bank/Control Direction (cleared upon USB reset)

- **Current Bank** (not relevant for Control endpoint):

SAMA5D3 SERIES

These bits are set by hardware to indicate the number of the current bank.

Value	Name	Description
0	BANK0	Bank 0 (or single bank)
1	BANK1	Bank 1
2	BANK2	Bank 2

- Note:** The current bank is updated each time the user:
- Sets the TX Packet Ready bit to prepare the next IN transfer and to switch to the next bank.
 - Clears the received OUT data bit to access the next bank.

This bit is reset by UDPHS_EPTRST register EPT_x (reset endpoint) and by UDPHS_EPTCTLDISx (disable endpoint).

– **Control Direction** (for Control endpoint only):

0: A Control Write is requested by the Host.

1: A Control Read is requested by the Host.

Note 1: This bit corresponds with the 7th bit of the bmRequestType (Byte 0 of the Setup Data).

2: This bit is updated after receiving new setup data.

BUSY_BANK_STA: Busy Bank Number (cleared upon USB reset)

These bits are set by hardware to indicate the number of busy banks.

IN endpoint: It indicates the number of busy banks filled by the user, ready for IN transfer.

OUT endpoint: It indicates the number of busy banks filled by OUT transaction from the Host.

Value	Name	Description
0	0BUSYBANK	All banks are free
1	1BUSYBANK	1 busy bank
2	2BUSYBANKS	2 busy banks
3	3BUSYBANKS	3 busy banks

BYTE_COUNT: UDPHS Byte Count (cleared upon USB reset)

Byte count of a received data packet.

This field is incremented after each write into the endpoint (to prepare an IN transfer).

This field is decremented after each reading into the endpoint (OUT transfer).

This field is also updated at RXRDY_TXKL flag clear with the next bank.

This field is also updated at TXRDY flag set with the next bank.

This field is reset by EPT_x of UDPHS_EPTRST register.

SHRT_PCKT: Short Packet (cleared upon USB reset)

An OUT Short Packet is detected when the receive byte count is less than the configured UDPHS_EPTCFGx register EPT_Size.

This bit is updated at the same time as the BYTE_COUNT field.

This bit is reset by UDPHS_EPTRST register EPT_x (reset endpoint) and by UDPHS_EPTCTLDISx (disable endpoint).

34.7.20 UDPHS Endpoint Status Register (Isochronous Endpoint)

Name: UDPHS_EPTSTAx [x=0..15] (ISOENDPT)

Address: 0xF803011C [0], 0xF803013C [1], 0xF803015C [2], 0xF803017C [3], 0xF803019C [4], 0xF80301BC [5], 0xF80301DC [6], 0xF80301FC [7], 0xF803021C [8], 0xF803023C [9], 0xF803025C [10], 0xF803027C [11], 0xF803029C [12], 0xF80302BC [13], 0xF80302DC [14], 0xF80302FC [15]

Access: Read-only

31	30	29	28	27	26	25	24
SHRT_PCKT		BYTE_COUNT					
23	22	21	20	19	18	17	16
BYTE_COUNT				BUSY_BANK_STA		CURBK	
15	14	13	12	11	10	9	8
–	ERR_FLUSH	ERR_CRC_NTR	ERR_FL_ISO	TXRDY_TRER	TX_COMPLT	RXRDY_TXKL	ERR_OVFLW
7	6	5	4	3	2	1	0
TOGGLESQ_STA		–	–	–	–	–	–

This register view is relevant only if EPT_TYPE = 0x1 in [UDPHS Endpoint Configuration Register](#).

TOGGLESQ_STA: Toggle Sequencing (cleared upon USB reset)

Toggle Sequencing:

- **IN endpoint:** It indicates the PID Data Toggle that will be used for the next packet sent. This is not relative to the current bank.
- **OUT endpoint:**

These bits are set by hardware to indicate the PID data of the current bank:

Value	Name	Description
0	DATA0	DATA0
1	DATA1	DATA1
2	DATA2	Data2 (only for High Bandwidth Isochronous Endpoint)
3	MDATA	MData (only for High Bandwidth Isochronous Endpoint)

Note 1: In OUT transfer, the Toggle information is meaningful only when the current bank is busy (Received OUT Data = 1).

- 2:** These bits are updated for OUT transfer:
 - A new data has been written into the current bank.
 - The user has just cleared the Received OUT Data bit to switch to the next bank.
- 3:** For High Bandwidth Isochronous Out endpoint, it is recommended to check the UDPHS_EPTSTAx/TXRDY_TRER bit to know if the toggle sequencing is correct or not.
- 4:** This field is reset to DATA1 by the UDPHS_EPTCLRSTAx register TOGGLESQ bit, and by UDPHS_EPTCTLDISx (disable endpoint).

ERR_OVFLW: Overflow Error (cleared upon USB reset)

This bit is set by hardware when a new too-long packet is received.

Example: If the user programs an endpoint 64 bytes wide and the host sends 128 bytes in an OUT transfer, then the Overflow Error bit is set.

This bit is updated at the same time as the BYTE_COUNT field.

This bit is reset by UDPHS_EPTRST register EPT_x (reset endpoint) and by UDPHS_EPTCTLDISx (disable endpoint).

RXRDY_TXKL: Received OUT Data/KILL Bank (cleared upon USB reset)

SAMA5D3 SERIES

- **Received OUT Data** (for OUT endpoint or Control endpoint):

This bit is set by hardware after a new packet has been stored in the endpoint FIFO.

This bit is cleared by the device firmware after reading the OUT data from the endpoint.

For multi-bank endpoints, this bit may remain active even when cleared by the device firmware, this if an other packet has been received meanwhile.

Hardware assertion of this bit may generate an interrupt if enabled by the UDPHS_EPTCTLx register RXRDY_TXKL bit.

This bit is reset by UDPHS_EPTRST register EPT_x (reset endpoint) and by UDPHS_EPTCTLDISx (disable endpoint).

- **KILL Bank** (for IN endpoint):
 - The bank is really cleared or the bank is sent, BUSY_BANK_STA is decremented.
 - The bank is not cleared but sent on the IN transfer, TX_COMPLT
 - The bank is not cleared because it was empty. The user should wait that this bit is cleared before trying to clear another packet.

Note: “Kill a packet” may be refused if at the same time, an IN token is coming and the current packet is sent on the UDPHS line. In this case, the TX_COMPLT bit is set. Take notice however, that if at least two banks are ready to be sent, there is no problem to kill a packet even if an IN token is coming. In fact, in that case, the current bank is sent (IN transfer) and the last bank is killed.

TX_COMPLT: Transmitted IN Data Complete (cleared upon USB reset)

This bit is set by hardware after an IN packet has been sent.

This bit is reset by UDPHS_EPTRST register EPT_x (reset endpoint), and by UDPHS_EPTCTLDISx (disable endpoint).

TXRDY_TRER: TX Packet Ready/Transaction Error (cleared upon USB reset)

- **TX Packet Ready:**

This bit is cleared by hardware, as soon as the packet has been sent.

For Multi-bank endpoints, this bit may remain clear even after software is set if another bank is available to transmit.

Hardware clear of this bit may generate an interrupt if enabled by the UDPHS_EPTCTLx register TXRDY_TRER bit.

This bit is reset by UDPHS_EPTRST register EPT_x (reset endpoint), and by UDPHS_EPTCTLDISx (disable endpoint).

- **Transaction Error** (for high bandwidth isochronous OUT endpoints) (Read-Only):

This bit is set by hardware when a transaction error occurs inside one microframe.

If one toggle sequencing problem occurs among the n-transactions (n = 1, 2 or 3) inside a microframe, then this bit is still set as long as the current bank contains one “bad” n-transaction (see [CURBK: Current Bank \(cleared upon USB reset\)](#)). As soon as the current bank is relative to a new “good” n-transactions, then this bit is reset.

Note 1: A transaction error occurs when the toggle sequencing does not comply with the *Universal Serial Bus Specification, Rev 2.0* (5.9.2 High Bandwidth Isochronous endpoints) (Bad PID, missing data....)

2: When a transaction error occurs, the user may empty all the “bad” transactions by clearing the Received OUT Data flag (RXRDY_TXKL).

If this bit is reset, then the user should consider that a new n-transaction is coming.

This bit is reset by UDPHS_EPTRST register EPT_x (reset endpoint), and by UDPHS_EPTCTLDISx (disable endpoint).

ERR_FL_ISO: Error Flow (cleared upon USB reset)

This bit is set by hardware when a transaction error occurs.

- Isochronous IN transaction is missed, the micro has no time to fill the endpoint (underflow).
- Isochronous OUT data is dropped because the bank is busy (overflow).

This bit is reset by UDPHS_EPTRST register EPT_x (reset endpoint) and by UDPHS_EPTCTLDISx (disable endpoint).

ERR_CRC_NTR: CRC ISO Error/Number of Transaction Error (cleared upon USB reset)

- **CRC ISO Error** (for Isochronous OUT endpoints) (Read-only):

This bit is set by hardware if the last received data is corrupted (CRC error on data).

This bit is updated by hardware when new data is received (Received OUT Data bit).

- **Number of Transaction Error** (for High Bandwidth Isochronous IN endpoints):

This bit is set at the end of a microframe in which at least one data bank has been transmitted, if less than the number of transactions per micro-frame banks (UDPHS_EPTCFGx register NB_TRANS) have been validated for transmission inside this microframe.

This bit is reset by UDPHS_EPTRST register EPT_x (reset endpoint) and by UDPHS_EPTCTLDISx (disable endpoint).

ERR_FLUSH: Bank Flush Error (cleared upon USB reset)

- (for High Bandwidth Isochronous IN endpoints)

This bit is set when flushing unsent banks at the end of a microframe.

This bit is reset by UDPHS_EPTRST register EPT_x (reset endpoint) and by EPT_CTL_DISx (disable endpoint).

CURBK: Current Bank (cleared upon USB reset)

- **Current Bank:**

These bits are set by hardware to indicate the number of the current bank.

Value	Name	Description
0	BANK0	Bank 0 (or single bank)
1	BANK1	Bank 1
2	BANK2	Bank 2

Note: The current bank is updated each time the user:

- Sets the TX Packet Ready bit to prepare the next IN transfer and to switch to the next bank.
- Clears the received OUT data bit to access the next bank.

This bit is reset by UDPHS_EPTRST register EPT_x (reset endpoint) and by UDPHS_EPTCTLDISx (disable endpoint).

BUSY_BANK_STA: Busy Bank Number (cleared upon USB reset)

These bits are set by hardware to indicate the number of busy banks.

- **IN endpoint:** It indicates the number of busy banks filled by the user, ready for IN transfer.
- **OUT endpoint:** It indicates the number of busy banks filled by OUT transaction from the Host.

Value	Name	Description
0	0BUSYBANK	All banks are free
1	1BUSYBANK	1 busy bank
2	2BUSYBANKS	2 busy banks
3	3BUSYBANKS	3 busy banks

BYTE_COUNT: UDPHS Byte Count (cleared upon USB reset)

Byte count of a received data packet.

This field is incremented after each write into the endpoint (to prepare an IN transfer).

This field is decremented after each reading into the endpoint (OUT transfer).

This field is also updated at RXRDY_TXKL flag clear with the next bank.

This field is also updated at TXRDY_TRER flag set with the next bank.

This field is reset by EPT_x of UDPHS_EPTRST register.

SHRT_PCKT: Short Packet (cleared upon USB reset)

An OUT Short Packet is detected when the receive byte count is less than the configured UDPHS_EPTCFGx register EPT_Size.

This bit is updated at the same time as the BYTE_COUNT field.

This bit is reset by UDPHS_EPTRST register EPT_x (reset endpoint) and by UDPHS_EPTCTLDISx (disable endpoint).

SAMA5D3 SERIES

34.7.21 UDPHS DMA Channel Transfer Descriptor

The DMA channel transfer descriptor is loaded from the memory.

Be careful with the alignment of this buffer.

The structure of the DMA channel transfer descriptor is defined by three parameters as described below:

Offset 0:

The address must be aligned: 0xXXXX0

Next Descriptor Address Register: UDPHS_DMANXTDSCx

Offset 4:

The address must be aligned: 0xXXXX4

DMA Channelx Address Register: UDPHS_DMAADDRESSx

Offset 8:

The address must be aligned: 0xXXXX8

DMA Channelx Control Register: UDPHS_DMACONTROLx

To use the DMA channel transfer descriptor, fill the structures with the correct value (as described in the following pages).

Then write directly in UDPHS_DMANXTDSCx the address of the descriptor to be used first.

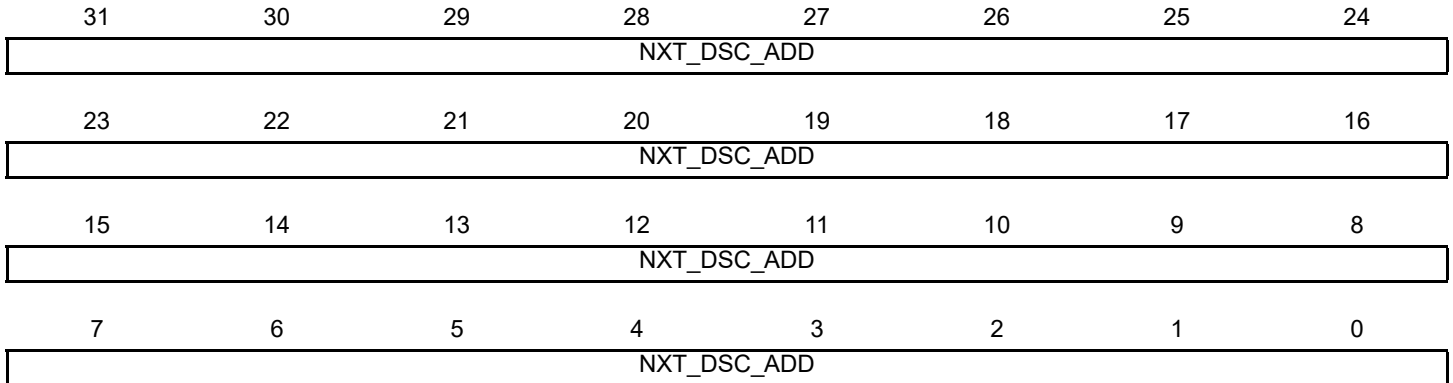
Then write 1 in the LDNXT_DSC bit of UDPHS_DMACONTROLx (load next channel transfer descriptor). The descriptor is automatically loaded upon Endpointx request for packet transfer.

34.7.22 UDPHS DMA Next Descriptor Address Register

Name: UDPHS_DMANXTDSCx [x = 0..6]

Address: 0xF8030300 [0], 0xF8030310 [1], 0xF8030320 [2], 0xF8030330 [3], 0xF8030340 [4], 0xF8030350 [5], 0xF8030360 [6]

Access: Read/Write



Note: Channel 0 is not used.

NXT_DSC_ADD: Next Descriptor Address

This field points to the next channel descriptor to be processed. This channel descriptor must be aligned, so bits 0 to 3 of the address must be equal to zero.

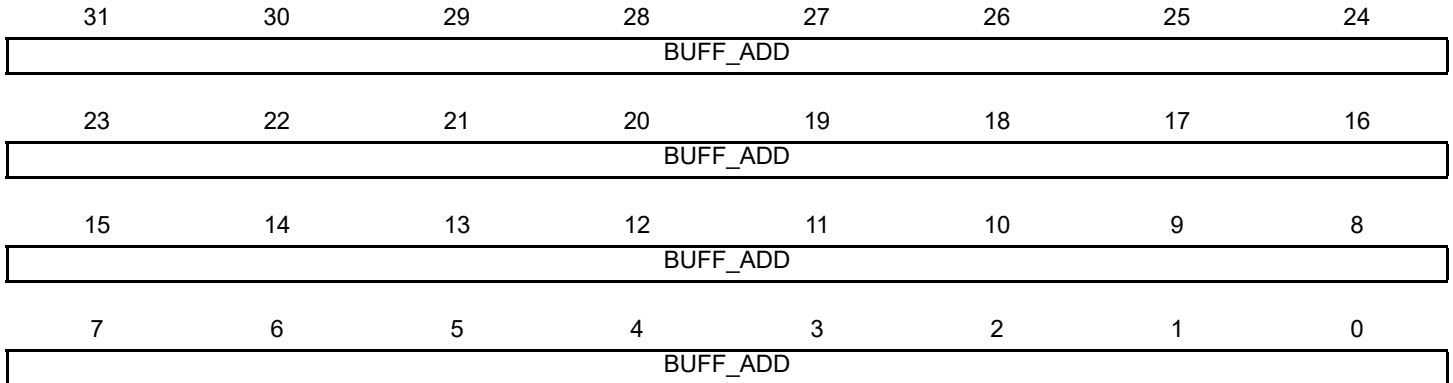
SAMA5D3 SERIES

34.7.23 UDPHS DMA Channel Address Register

Name: UDPHS_DMAADDRESSx [x = 0..6]

Address: 0xF8030304 [0], 0xF8030314 [1], 0xF8030324 [2], 0xF8030334 [3], 0xF8030344 [4], 0xF8030354 [5], 0xF8030364 [6]

Access: Read/Write



Note: Channel 0 is not used.

BUFF_ADD: Buffer Address

This field determines the AHB bus starting address of a DMA channel transfer.

Channel start and end addresses may be aligned on any byte boundary.

The firmware may write this field only when the UDPHS_DMASTATUS register CHANN_ENB bit is clear.

This field is updated at the end of the address phase of the current access to the AHB bus. It is incrementing of the access byte width. The access width is 4 bytes (or less) at packet start or end, if the start or end address is not aligned on a word boundary.

The packet start address is either the channel start address or the next channel address to be accessed in the channel buffer.

The packet end address is either the channel end address or the latest channel address accessed in the channel buffer.

The channel start address is written by software or loaded from the descriptor, whereas the channel end address is either determined by the end of buffer or the UDPHS device, USB end of transfer if the UDPHS_DMACONTROLx register END_TR_EN bit is set.

34.7.24 UDPHS DMA Channel Control Register

Name: UDPHS_DMACONTROLx [x = 0..6]

Address: 0xF8030308 [0], 0xF8030318 [1], 0xF8030328 [2], 0xF8030338 [3], 0xF8030348 [4], 0xF8030358 [5], 0xF8030368 [6]

Access: Read/Write

31	30	29	28	27	26	25	24
BUFF_LENGTH							
23	22	21	20	19	18	17	16
BUFF_LENGTH							
15	14	13	12	11	10	9	8
–	–	–	–	–	–	–	–
7	6	5	4	3	2	1	0
BURST_LCK	DESC_LD_IT	END_BUFFERIT	END_TR_IT	END_B_EN	END_TR_EN	LDNXT_DSC	CHANN_ENB

Note: Channel 0 is not used.

CHANN_ENB: (Channel Enable Command)

0: DMA channel is disabled at and no transfer will occur upon request. This bit is also cleared by hardware when the channel source bus is disabled at end of buffer.

If the UDPHS_DMACONTROL register LDNXT_DSC bit has been cleared by descriptor loading, the firmware will have to set the corresponding CHANN_ENB bit to start the described transfer, if needed.

If the UDPHS_DMACONTROL register LDNXT_DSC bit is cleared, the channel is frozen and the channel registers may then be read and/or written reliably as soon as both UDPHS_DMASTATUS register CHANN_ENB and CHANN_ACT flags read as 0.

If a channel request is currently serviced when this bit is cleared, the DMA FIFO buffer is drained until it is empty, then the UDPHS_DMASTATUS register CHANN_ENB bit is cleared.

If the LDNXT_DSC bit is set at or after this bit clearing, then the currently loaded descriptor is skipped (no data transfer occurs) and the next descriptor is immediately loaded.

1: UDPHS_DMASTATUS register CHANN_ENB bit will be set, thus enabling DMA channel data transfer. Then any pending request will start the transfer. This may be used to start or resume any requested transfer.

LDNXT_DSC: Load Next Channel Transfer Descriptor Enable (Command)

0: No channel register is loaded after the end of the channel transfer.

1: The channel controller loads the next descriptor after the end of the current transfer, i.e., when the UDPHS_DMASTATUS/CHANN_ENB bit is reset.

If the UDPHS_DMA CONTROL/CHANN_ENB bit is cleared, the next descriptor is immediately loaded upon transfer request.

DMA Channel Control Command Summary

LDNXT_DSC	CHANN_ENB	Description
0	0	Stop now
0	1	Run and stop at end of buffer
1	0	Load next descriptor now
1	1	Run and link at end of buffer

END_TR_EN: End of Transfer Enable (Control)

Used for OUT transfers only.

0: USB end of transfer is ignored.

SAMA5D3 SERIES

1: UDPHS device can put an end to the current buffer transfer.

When set, a BULK or INTERRUPT short packet or the last packet of an ISOCHRONOUS (micro) frame (DATAx) will close the current buffer and the UDPHS_DMASTATUSx register END_TR_ST flag will be raised.

This is intended for UDPHS non-prenegotiated end of transfer (BULK or INTERRUPT) or ISOCHRONOUS microframe data buffer closure.

END_B_EN: End of Buffer Enable (Control)

0: DMA Buffer End has no impact on USB packet transfer.

1: Endpoint can validate the packet (according to the values programmed in the UDPHS_EPTCTLx register AUTO_VALID and SHRT_PCKT fields) at DMA Buffer End, i.e., when the UDPHS_DMASTATUS register BUFF_COUNT reaches 0.

This is mainly for short packet IN validation initiated by the DMA reaching end of buffer, but could be used for OUT packet truncation (discarding of unwanted packet data) at the end of DMA buffer.

END_TR_IT: End of Transfer Interrupt Enable

0: UDPHS device initiated buffer transfer completion will not trigger any interrupt at UDPHS_STATUSx/END_TR_ST rising.

1: An interrupt is sent after the buffer transfer is complete, if the UDPHS device has ended the buffer transfer.

Use when the receive size is unknown.

END_BUFFIT: End of Buffer Interrupt Enable

0: UDPHS_DMA_STATUSx/END_BF_ST rising will not trigger any interrupt.

1: An interrupt is generated when the UDPHS_DMASTATUSx register BUFF_COUNT reaches zero.

DESC_LD_IT: Descriptor Loaded Interrupt Enable

0: UDPHS_DMASTATUSx/DESC_LDST rising will not trigger any interrupt.

1: An interrupt is generated when a descriptor has been loaded from the bus.

BURST_LCK: Burst Lock Enable

0: The DMA never locks bus access.

1: USB packets AHB data bursts are locked for maximum optimization of the bus bandwidth usage and maximization of fly-by AHB burst duration.

BUFF_LENGTH: Buffer Byte Length (Write-only)

This field determines the number of bytes to be transferred until end of buffer. The maximum channel transfer size (64 Kbytes) is reached when this field is 0 (default value). If the transfer size is unknown, this field should be set to 0, but the transfer end may occur earlier under UDPHS device control.

When this field is written, The UDPHS_DMASTATUSx register BUFF_COUNT field is updated with the write value.

Note 1: Bits [31:2] are only writable when issuing a channel Control Command other than "Stop Now".

2: For reliability it is highly recommended to wait for both UDPHS_DMASTATUSx register CHAN_ACT and CHAN_ENB flags are at 0, thus ensuring the channel has been stopped before issuing a command other than "Stop Now".

34.7.25 UDPHS DMA Channel Status Register

Name: UDPHS_DMASTATUSx [x = 0..6]

Address: 0xF803030C [0], 0xF803031C [1], 0xF803032C [2], 0xF803033C [3], 0xF803034C [4], 0xF803035C [5], 0xF803036C [6]

Access: Read/Write

31	30	29	28	27	26	25	24
BUFF_COUNT							
23	22	21	20	19	18	17	16
BUFF_COUNT							
15	14	13	12	11	10	9	8
–	–	–	–	–	–	–	–
7	6	5	4	3	2	1	0
–	DESC_LDST	END_BF_ST	END_TR_ST	–	–	CHANN_ACT	CHANN_ENB

Note: Channel 0 is not used.

CHANN_ENB: Channel Enable Status

0: The DMA channel no longer transfers data, and may load the next descriptor if the UDPHS_DMACONTROLx register LDNXT_DSC bit is set.

When any transfer is ended either due to an elapsed byte count or a UDPHS device initiated transfer end, this bit is automatically reset.

1: The DMA channel is currently enabled and transfers data upon request.

This bit is normally set or cleared by writing into the UDPHS_DMACONTROLx register CHANN_ENB bit either by software or descriptor loading.

If a channel request is currently serviced when the UDPHS_DMACONTROLx register CHANN_ENB bit is cleared, the DMA FIFO buffer is drained until it is empty, then this status bit is cleared.

CHANN_ACT: Channel Active Status

0: The DMA channel is no longer trying to source the packet data.

When a packet transfer is ended this bit is automatically reset.

1: The DMA channel is currently trying to source packet data, i.e., selected as the highest-priority requesting channel.

When a packet transfer cannot be completed due to an END_BF_ST, this flag stays set during the next channel descriptor load (if any) and potentially until UDPHS packet transfer completion, if allowed by the new descriptor.

END_TR_ST: End of Channel Transfer Status

0: Cleared automatically when read by software.

1: Set by hardware when the last packet transfer is complete, if the UDPHS device has ended the transfer.

Valid until the CHANN_ENB flag is cleared at the end of the next buffer transfer.

END_BF_ST: End of Channel Buffer Status

0: Cleared automatically when read by software.

1: Set by hardware when the BUFF_COUNT downcount reach zero.

Valid until the CHANN_ENB flag is cleared at the end of the next buffer transfer.

DESC_LDST: Descriptor Loaded Status

0: Cleared automatically when read by software.

1: Set by hardware when a descriptor has been loaded from the system bus.

Valid until the CHANN_ENB flag is cleared at the end of the next buffer transfer.

SAMA5D3 SERIES

BUFF_COUNT: Buffer Byte Count

This field determines the current number of bytes still to be transferred for this buffer.

This field is decremented from the AHB source bus access byte width at the end of this bus address phase.

The access byte width is 4 by default, or less, at DMA start or end, if the start or end address is not aligned on a word boundary.

At the end of buffer, the DMA accesses the UDPHS device only for the number of bytes needed to complete it.

This field value is reliable (stable) only if the channel has been stopped or frozen (UDPHS_EPTCTLx register NT_DIS_DMA bit is used to disable the channel request) and the channel is no longer active CHANN_ACT flag is 0.

Note: For OUT endpoints, if the receive buffer byte length (BUFF_LENGTH) has been defaulted to zero because the USB transfer length is unknown, the actual buffer byte length received will be 0x10000-BUFF_COUNT.

35. USB Host High Speed Port (UHPHS)

35.1 Description

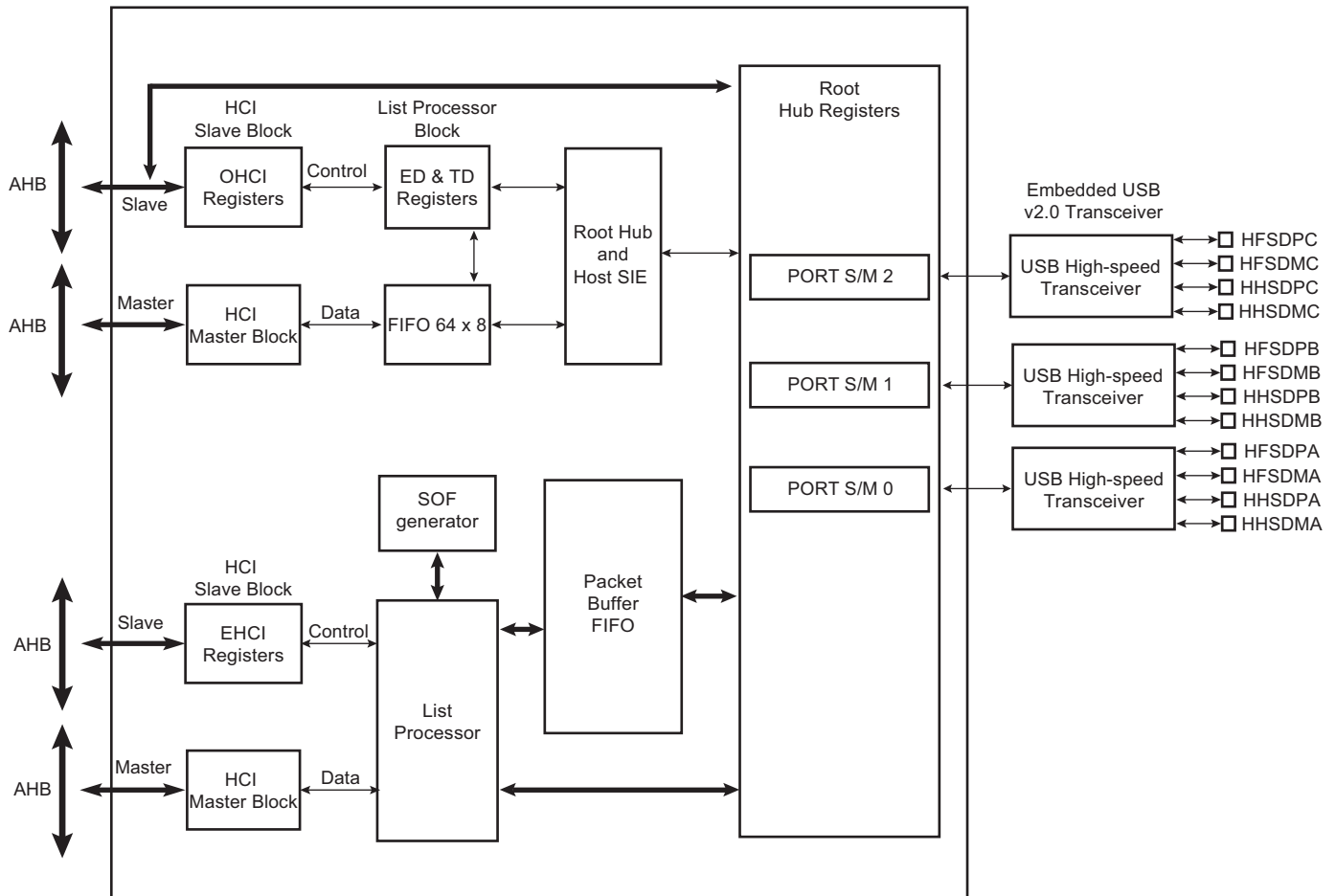
The USB Host High Speed Port (UHPHS) interfaces the USB with the host application. It handles Open HCI protocol (Open Host Controller Interface) as well as Enhanced HCI protocol (Enhanced Host Controller Interface).

35.2 Embedded Characteristics

- Compliant with Enhanced HCI Rev 1.0 Specification
 - Compliant with USB V2.0 High-speed
 - Supports High-speed 480 Mbps
- Compliant with OpenHCI Rev 1.0 Specification
 - Compliant with USB V2.0 Full-speed and Low-speed Specification
 - Supports both Low-speed 1.5 Mbps and Full-speed 12 Mbps USB devices
- Root Hub Integrated with 3 Downstream USB HS Ports
- Embedded USB Transceivers
- Supports Power Management
- 3 Hosts (A, B, and C) High Speed (EHCI), Port A shared with UDPHS

35.3 Block Diagram

Figure 35-1: Block Diagram



SAMA5D3 SERIES

Access to the USB host operational registers is achieved through the AHB bus slave interface. The Open HCI host controller and Enhanced HCI host controller initialize master DMA transfers through the AHB bus master interface as follows:

- Fetches endpoint descriptors and transfer descriptors
- Access to endpoint data from system memory
- Access to the HC communication area
- Write status and retire transfer descriptor

Memory access errors (abort, misalignment) lead to an “Unrecoverable Error” indicated by the corresponding flag in the host controller operational registers.

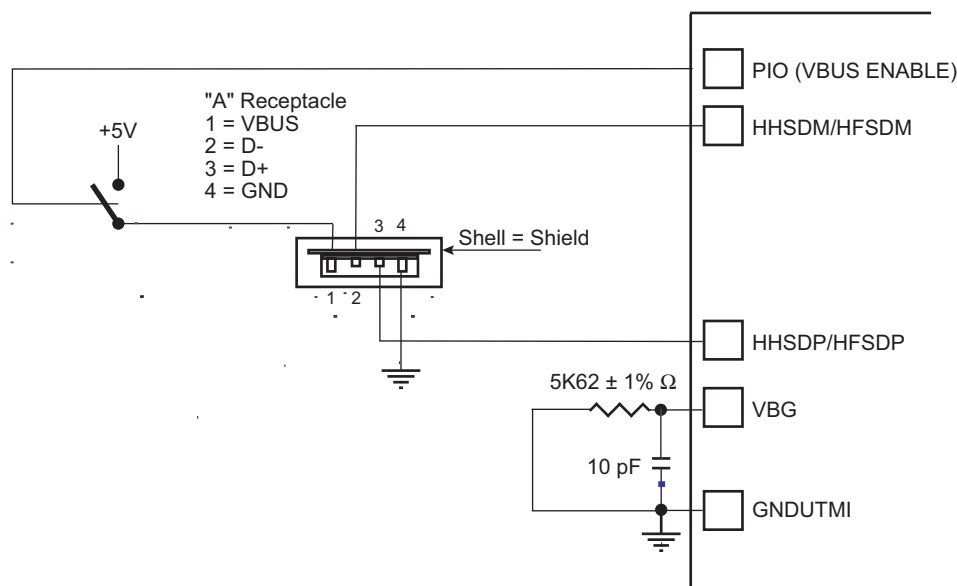
The USB root hub is integrated in the USB host. Several USB downstream ports are available. The number of downstream ports can be determined by the software driver reading the root hub’s operational registers. Device connection is automatically detected by the USB host port logic.

USB physical transceivers are integrated in the product and driven by the root hub’s ports.

Over current protection on ports can be activated by the USB host controller. The Microchip standard product does not dedicate pads to external over current protection.

35.4 Typical Connection

Figure 35-2: Board Schematic to Interface UHP High-speed Host Controller



Note 1: 10 pF capacitor on VBG is a provision and may not be populated.

35.5 Product Dependencies

35.5.1 I/O Lines

HFSDPs, HFSDMs, HHSDPs and HHSDMs are not controlled by any PIO controllers. The embedded USB High Speed physical transceivers are controlled by the USB host controller.

One transceiver is shared with the USB High Speed Device (port A). The selection between Host Port A and USB Device is controlled by the UDPHS enable bit (EN_UDPHS) located in the UDPHS_CTRL register.

In the case the port A is driven by the USB High Speed Device, the output signals are DFSDP, DFSDM, DHSDP and DHSDM. The transceiver is automatically selected for Device operation once the USB High Speed Device is enabled.

In the case the port A is driven by the USB High Speed Host, the output signals are HFSDPA, HFSDMA, HHSDPA and HHSDMA.

35.5.2 Power Management

The system embeds 3 transceivers.

The USB Host High Speed requires a 480 MHz clock for the embedded High-speed transceivers. This clock (UPLLCK) is provided by the UTMI PLL.

In case power consumption is saved by stopping the UTMI PLL, high-speed operations are not possible. Nevertheless, OHCI Full-speed operations remain possible by selecting PLLACK as the input clock of OHCI.

The High-speed transceiver returns a 30 MHz clock to the USB Host controller.

The USB Host controller requires 48 MHz and 12 MHz clocks for OHCI full-speed operations. These clocks must be generated by a PLL with a correct accuracy of $\pm 0.25\%$ using the USBDIV field.

Thus the USB Host peripheral receives three clocks from the Power Management Controller (PMC): the Peripheral Clock (MCK domain), the UHP48M and the UHP12M (built-in UHP48M divided by four) used by the OHCI to interface with the bus USB signals (recovered 12 MHz domain) in Full-speed operations.

For High-speed operations, the user has to perform the following:

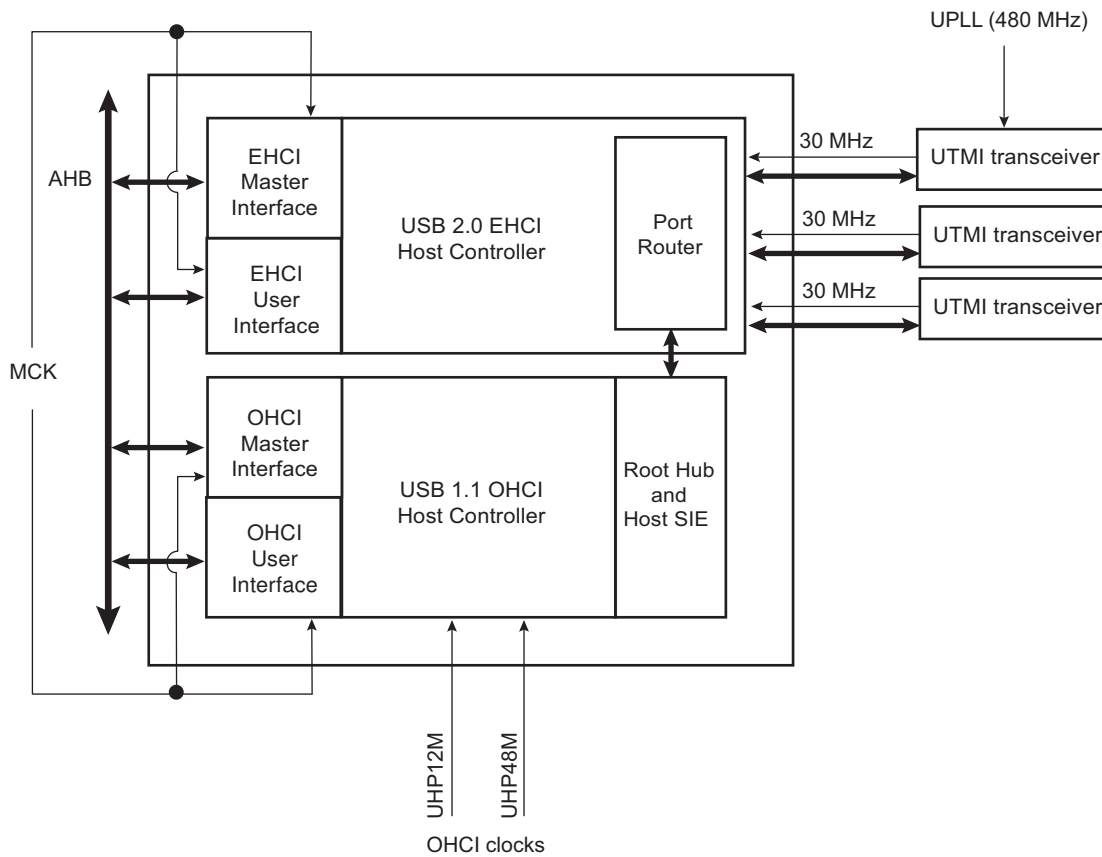
- Enable UHP peripheral clock in PMC_PCER.
- Write PLLCOUNT field in CKGR_UCKR.
- Enable UPLL with UPLEN bit in CKGR_UCKR.
- Wait until UTMI_PLL is locked (LOCKU bit in PMC_SR).
- Enable BIAS with BIASEN bit in CKGR_UCKR.
- Select UPLLCK as Input clock of OHCI part (USBS bit in PMC_USB register).
- Program OHCI clocks (UHP48M and UHP12M) with USBDIV field in PMC_USB register. USBDIV must be 9 (division by 10) if UPLLCK is selected.
- Enable OHCI clocks with UHP bit in PMC_SCER.

For OHCI Full-speed operations only, the user has to perform the following:

- Enable UHP peripheral clock in PMC_PCER.
- Select PLLACK as Input clock of OHCI part (USBS bit in PMC_USB register).
- Program OHCI clocks (UHP48M and UHP12M) with USBDIV field in PMC_USB register. USBDIV value is to be calculated according to the PLLACK value and USB Full-speed accuracy.
- Enable the OHCI clocks with UHP bit in PMC_SCER.

SAMA5D3 SERIES

Figure 35-3: UHP Clock Trees



35.5.3 Interrupt Sources

The USB host interface has an interrupt line connected to the interrupt controller.

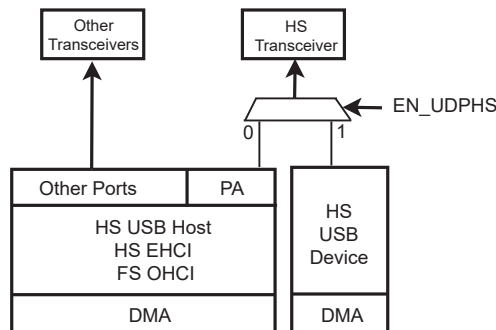
Handling USB host interrupts requires programming the interrupt controller before configuring the UHPHS.

35.6 Functional Description

35.6.1 UTMI Transceivers Sharing

The High Speed USB Host Port A is shared with the High Speed USB Device port and connected to the second UTMI transceiver. The selection between Host Port A and USB device is controlled by the UDPHS enable bit (EN_UDPHS) located in the UDPHS_CTRL register.

Figure 35-4: USB Selection



35.6.2 EHCI

The USB Host Port controller is fully compliant with the Enhanced HCI specification. The USB Host Port User Interface (registers description) can be found in the Enhanced HCI Rev 1.0 Specification available on www.usb.org. The standard EHCI USB stack driver can be easily ported to Microchip architecture in the same way all existing class drivers run, without hardware specialization.

35.6.3 OHCI

The USB Host Port integrates a root hub and transceivers on downstream ports. It provides several Full-speed half-duplex serial communication ports at a baud rate of 12 Mbit/s. Up to 127 USB devices (printer, camera, mouse, keyboard, disk, etc.) and the USB hub can be connected to the USB host in the USB “tiered star” topology.

The USB Host Port controller is fully compliant with the Open HCI specification. The USB Host Port User Interface (registers description) can be found in the Open HCI Rev 1.0 Specification available on www.usb.org. The standard OHCI USB stack driver can be easily ported to Microchip architecture, in the same way all existing class drivers run without hardware specialization.

This means that all standard class devices are automatically detected and available to the user’s application. As an example, integrating an HID (Human Interface Device) class driver provides a plug & play feature for all USB keyboards and mice.

SAMA5D3 SERIES

35.7 USB Host High Speed Port (UHPHS) User Interface

The Enhanced USB Host Controller contains two sets of software-accessible hardware registers – Memory-mapped Host Controller Registers and optional PCI configuration registers. Note that the PCI configuration registers are only needed for PCI devices that implement the Host Controller.

- Memory-mapped USB Host Controller Registers. This block of registers is memory-mapped into non-cacheable memory. This memory space must begin on a DWord (32-bit) boundary. This register space is divided into two sections: a set of read-only capability registers and a set of read/write operational registers. [Table 35-1](#) describes each register space.

Table 35-1: Enhanced Interface Register Sets

Offset	Register Set	Explanation
0 to N-1	Capability Registers	The capability registers specify the limits, restrictions, and capabilities of a host controller implementation. These values are used as parameters to the host controller driver.
N to N+M-1	Operational Registers	The operational registers are used by system software to control and monitor the operational state of the host controller.

Note: Host controllers are not required to support exclusive-access mechanisms (such as PCI LOCK) for accesses to the memory-mapped register space. Therefore, if software attempts exclusive-access mechanisms to the host controller memory-mapped register space, the results are undefined.

- PCI Configuration Registers (for PCI devices). In addition to the normal PCI header, power management, and device-specific registers, two registers are needed in the PCI configuration space to support USB. The normal PCI header and device-specific registers are beyond the scope of this document (the UHPHS_CLASSC register is shown in this document). Note that HCD does not interact with the PCI configuration space. This space is used only by the PCI enumerator to identify the USB Host Controller, and assign the appropriate system resources.

Table 35-2: Register Mapping

Offset	Register	Name	Access	Reset
Host Controller Capability Registers				
0x00	UHPHS Host Controller Capability Register	UHPHS_HCCAPBASE	Read-only	0x0100 0010
0x04	UHPHS Host Controller Structural Parameters Register	UHPHS_HCSPARAMS	Read-only	0x0000 1116
0x08	UHPHS Host Controller Capability Parameters Register	UHPHS_HCCPARAMS	Read-only	0x0000 A010
Host Controller Operational Registers				
0x10	UHPHS USB Command Register	UHPHS_USBCMD	Read/Write ⁽¹⁾	0x0008 0000 or 0x0008 0B00 ⁽²⁾
0x14	UHPHS USB Status Register	UHPHS_USBSTS	Read/Write ⁽¹⁾	0x0000 1000
0x18	UHPHS USB Interrupt Enable Register	UHPHS_USBINTR	Read/Write	0x0000 0000
0x1C	UHPHS USB Frame Index Register	UHPHS_FRINDEX	Read/Write	0x0000 0000
0x20	UHPHS Control Data Structure Segment Register	UHPHS_CTRLDSSEGMENT	Read/Write	0x0000 0000
0x24	UHPHS Periodic Frame List Base Address Register	UHPHS_PERIODICLISTBASE	Read/Write	0x0000 0000
0x28	UHPHS Asynchronous List Address Register	UHPHS_ASYNCLISTADDR	Read/Write	0x0000 0000
0x2C - 0x4F	Reserved	–	–	–
0x50	UHPHS Configured Flag Register	UHPHS_CONFIGFLAG	Read/Write	0x0000 0000

Table 35-2: Register Mapping (Continued)

Offset	Register	Name	Access	Reset
0x54	UHPHS Port Status and Control Register 0	UHPHS_PORTSC_0	Read/ Write ⁽¹⁾	0x0000 2000 or 0x0000 3000 ⁽³⁾
0x58	UHPHS Port Status and Control Register 1	UHPHS_PORTSC_1	Read/ Write ⁽¹⁾	0x0000 2000 or 0x0000 3000 ⁽³⁾
0x5C	UHPHS Port Status and Control Register 2	UHPHS_PORTSC_2	Read/ Write ⁽¹⁾	0x0000 2000 or 0x0000 3000 ⁽³⁾
0x90	EHCI Synopsys-Specific Registers 00	UHPHS_INSNREG00	Read/ Write ⁽¹⁾	0x0000 0000
0x94	EHCI Synopsys-Specific Registers 01	UHPHS_INSNREG01	Read/ Write ⁽¹⁾	0x0020 0020
0x98	EHCI Synopsys-Specific Registers 02	UHPHS_INSNREG02	Read/ Write ⁽¹⁾	(5)
0x9C	EHCI Synopsys-Specific Registers 03	UHPHS_INSNREG03	Read/ Write ⁽¹⁾	0x0000 0001
0xA0	EHCI Synopsys-Specific Registers 04	UHPHS_INSNREG04	Read/ Write ⁽¹⁾	0x0000 0000
0xA4	EHCI Synopsys-Specific Registers 05	UHPHS_INSNREG05	Read/ Write ⁽¹⁾	0x0000 1000
0xA8	EHCI Synopsys-Specific Registers 06	UHPHS_INSNREG06	Read/ Write ⁽¹⁾	0x0000 0000
0xAC	EHCI Synopsys-Specific Registers 07	UHPHS_INSNREG07	Read/ Write ⁽¹⁾	0x0000 0000
0xB0	EHCI Synopsys-Specific Registers 08	UHPHS_INSNREG08	Read/ Write ⁽¹⁾	0x0000 0000

Note 1: Field-dependent.

- 2:** The default value depends on whether the Asynchronous Schedule Park Capability (ASPC) field in the UHPHS_HCCPARAMS register is enabled. Disabled (set to 0) = 0x0008 0000h; Enabled (set to 1) = 0x0008 0B00h.
- 3:** The default value depends on the value of the Port Power Control (PPC) field in the UHPHS_HCSPARAMS register. 0x0000 2000h (with PPC set to 1); 0x0000 3000h (with PPC set to 0).
- 4:** Software should not assume reserved bits are always 0 and should preserve these bits when writing to modifiable registers.
- 5:** This value is determined by coreConsultant.

SAMA5D3 SERIES

35.7.1 UPHPS Host Controller Capability Register

Name: UPHPS_HCCAPBASE

Access: Read-only

31	30	29	28	27	26	25	24
HCIVERSION							
23	22	21	20	19	18	17	16
HCIVERSION							
15	14	13	12	11	10	9	8
-							
7	6	5	4	3	2	1	0
CAPLENGTH							

CAPLENGTH: Capability Registers Length

10h: Default value.

This field is used as an offset to add to register base to find the beginning of the Operational Register Space.

HCIVERSION: Host Controller Interface Version Number

0100h: Default value.

This is a two-byte field containing a BCD encoding of the EHCI revision number supported by this host controller. The most significant byte of this field represents a major revision and the least significant byte is the minor revision.

35.7.2 UPHPS Host Controller Structural Parameters Register

Name: UPHPS_HCSPARAMS

Access: Read-only

31	30	29	28	27	26	25	24
-							
23	22	21	20	19	18	17	16
N_DP				-			P_INDICATOR
15	14	13	12	11	10	9	8
N_CC				N_PCC			
7	6	5	4	3	2	1	0
-			PPC	N_PORTS			

This is a set of fields that are structural parameters: number of downstream ports, etc.

N_PORTS: Number of Ports

This field specifies the number of physical downstream ports implemented on this host controller. The value of this field determines how many port registers are addressable in the Operational Register Space. Valid values are in the range of 1H to FH.

A zero in this field is undefined.

PPC: Port Power Control

This field indicates whether the host controller implementation includes port power control. A one in this bit indicates the ports have port power switches. A zero in this bit indicates the ports do not have port power switches. The value of this field affects the functionality of the Port Power field in each port status and control register (see [Section 35.7.12 UPHPS Port Status and Control Register](#)).

N_PCC: Number of Ports per Companion Controller

This field indicates the number of ports supported per companion host controller. It is used to indicate the port routing configuration to system software.

For example, if N_PORTS has a value of 6 and N_CC has a value of 2, then N_PCC could have a value of 3. The convention is that the first N_PCC ports are assumed to be routed to companion controller 1, the next N_PCC ports to companion controller 2, etc. In the previous example, the N_PCC could have been 4, where the first four are routed to companion controller 1 and the last two are routed to companion controller 2.

The number in this field must be consistent with N_PORTS and N_CC.

N_CC: Number of Companion Controllers

This field indicates the number of companion controllers associated with this USB 2.0 host controller.

A zero in this field indicates there are no companion host controllers. Port-ownership hand-off is not supported. Only high-speed devices are supported on the host controller root ports.

A value larger than zero in this field indicates there are companion USB 1.1 host controller(s). Port-ownership hand-offs are supported. High, Full- and Low-speed devices are supported on the host controller root ports.

P_INDICATOR: Port Indicators

This bit indicates whether the ports support port indicator control. When this bit is a 1, the port status and control registers include a read/writeable field for controlling the state of the port indicator. See [Section 35.7.12 UPHPS Port Status and Control Register](#) for definition of the port indicator control field.

N_DP: Debug Port Number

Optional. This register identifies which of the host controller ports is the debug port. The value is the port number (1-based) of the debug port. A non-zero value in this field indicates the presence of a debug port. The value in this register must not be greater than N_PORTS (see above).

SAMA5D3 SERIES

35.7.3 UPHPS Host Controller Capability Parameters Register

Name: UPHPS_HCCPARAMS

Access: Read-only

31	30	29	28	27	26	25	24	
				–				
23	22	21	20	19	18	17	16	
				–				
15	14	13	12	11	10	9	8	
EECP								
7	6	5	4	3	2	1	0	
IST				–	ASPC	PFLF	AC	

This is a set of fields that are capability parameters: Multiple Mode control (time-base bit functionality), addressing capability, etc.

AC: 64-bit Addressing Capability

This field documents the addressing range capability of this implementation. The value of this field determines whether software should use 32-bit or 64-bit data structures.

Values for this field have the following interpretation:

0: Data structures using 32-bit address memory pointers

1: Data structures using 64-bit address memory pointers

Note: This is not tightly coupled with the UPHPS_USBBASE address register mapping control. The 64-bit Addressing Capability bit indicates whether the host controller can generate 64-bit addresses as a master. The UPHPS_USBBASE register indicates the host controller only needs to decode 32-bit addresses as a slave.

PFLF: Programmable Frame List Flag

The default value is implementation-dependent.

If this bit is set to 0, then system software must use a frame list length of 1024 elements with this host controller. The UPHPS_USBCMD register Frame List Size field is a read-only register and should be set to 0.

If set to 1, then system software can specify and use a smaller frame list and configure the host controller via the UPHPS_USBCMD register Frame List Size field. The frame list must always be aligned on a 4-kbyte page boundary. This requirement ensures that the frame list is always physically contiguous.

ASPC: Asynchronous Schedule Park Capability

The default value is Implementation dependent.

If this bit is set to 1, then the host controller supports the park feature for high-speed queue heads in the Asynchronous Schedule. The feature can be disabled or enabled and set to a specific level by using the Asynchronous Schedule Park Mode Enable and Asynchronous Schedule Park Mode Count fields in the UPHPS_USBCMD register.

IST: Isochronous Scheduling Threshold

The default value is Implementation dependent.

This field indicates, relative to the current position of the executing host controller, where software can reliably update the isochronous schedule. When bit [7] is 0, the value of the least significant 3 bits indicates the number of micro-frames a host controller can hold a set of isochronous data structures (one or more) before flushing the state. When bit [7] is set to 1, then host software assumes the host controller may cache an isochronous data structure for an entire frame.

EECP: EHCI Extended Capabilities Pointer

The default value is Implementation dependent.

This optional field indicates the existence of a capabilities list. A value of 00h indicates no extended capabilities are implemented. A non-zero value in this register indicates the offset in PCI configuration space of the first EHCI extended capability. The pointer value must be 40h or greater if implemented to maintain the consistency of the PCI header defined for this class of device.

35.7.4 UPHPS USB Command Register

Name: UPHPS_USBCMD

Access: Read/Write

31	30	29	28	27	26	25	24		
-									
23	22	21	20	19	18	17	16		
ITC									
15	14	13	12	11	10	9	8		
-				ASPME		-		ASPMC	
7	6	5	4	3	2	1	0		
LHCR	IAAD	ASE	PSE	FLS		HCRESET	RS		

The Command Register indicates the command to be executed by the serial bus host controller. Writing to the register causes a command to be executed.

RS: Run/Stop (read/write)

0: Stop (default value).

1: Run.

When set to 1, the Host Controller proceeds with execution of the schedule. The Host Controller continues execution as long as this bit is set to 1. When this bit is set to 0, the Host Controller completes the current and any actively pipelined transactions on the USB and then halts. The Host Controller must halt within 16 micro-frames after software clears the Run bit. The HC Halted bit in the status register indicates when the Host Controller has finished its pending pipelined transactions and has entered the stopped state. Software must not write 1 to this field unless the host controller is in the Halted state (i.e., HCHalted in the UPHPS_USBSTS register is 1). Doing so will yield undefined results.

HCRESET: Host Controller Reset (read/write)

This control bit is used by software to reset the host controller. The effects of this on Root Hub registers are similar to a Chip Hardware Reset.

When software writes a 1 to this bit, the Host Controller resets its internal pipelines, timers, counters, state machines, etc. to their initial value. Any transaction currently in progress on USB is immediately terminated. A USB reset is not driven on downstream ports.

PCI Configuration registers are not affected by this reset. All operational registers, including port registers and port state machines, are set to their initial values. Port ownership reverts to the companion host controller(s) with side effects. Software must reinitialize the host controller in order to return the host controller to an operational state.

This bit is set to 0 by the Host Controller when the reset process is complete. Software cannot terminate the reset process early by writing a 0 to this register.

Software should not set this bit to 1 when the HCHalted bit in the UPHPS_USBSTS register is 0. Attempting to reset an actively running host controller will result in undefined behavior.

FLS: Frame List Size (read/write or read-only)

This field is R/W only if Programmable Frame List Flag in the UPHPS_HCCPARAMS registers is set to 1. This field specifies the size of the frame list. The size of the frame list controls which bits in the Frame Index Register should be used for the Frame List Current index.

00b: 1024 elements (4096 bytes) (default value).

01b: 512 elements (2048 bytes).

10b: 256 elements (1024 bytes), for resource-constrained environments.

11b: Reserved.

PSE: Periodic Schedule Enable (read/write)

This bit controls whether the host controller skips processing the Periodic Schedule.

0: Do not process the Periodic Schedule (default value).

1: Use the UPHPS_PERIODICLISTBASE register to access the Periodic Schedule.

SAMA5D3 SERIES

ASE: Asynchronous Schedule Enable (read/write)

This bit controls whether the host controller skips processing the Asynchronous Schedule.

0: Do not process the Asynchronous Schedule (default value).

1: Use the UPHPS_ASYNCCLISTADDR register to access the Asynchronous Schedule.

IAAD: Interrupt on Async Advance Doorbell (read/write)

This bit is used as a doorbell by software to tell the host controller to issue an interrupt the next time it advances asynchronous schedule. Software must write a 1 to this bit to ring the doorbell.

When the host controller has evicted all appropriate cached schedule state, it sets the Interrupt on Async Advance status bit in the UPHPS_USBSTS register. If the Interrupt on Async Advance Enable bit in the UPHPS_USBINTR register is set to 1, then the host controller will assert an interrupt at the next interrupt threshold.

The host controller sets this bit to 0 after it has set the Interrupt on Async Advance status bit in the UPHPS_USBSTS register to 1.

Software should not write a 1 to this bit when the asynchronous schedule is disabled. Doing so will yield undefined results.

LHCR: Light Host Controller Reset (optional) (read/write)

This control bit is not required. If implemented, it allows the driver to reset the EHCI controller without affecting the state of the ports or the relationship to the companion host controllers. For example, the UPHPS_PORTSC registers should not be reset to their default values and the CF bit setting should not go to 0 (retaining port ownership relationships).

A host software read of this bit as 0 indicates the Light Host Controller Reset has completed and it is safe for host software to re-initialize the host controller. A host software read of this bit as 1 indicates the Light Host Controller Reset has not yet completed.

If not implemented, a read of this field will always return a 0.

ASPMC: Asynchronous Schedule Park Mode Count (optional) (read/write or read-only)

If the Asynchronous Park Capability bit in the UPHPS_HCCPARAMS register is set to 1, then this field defaults to 3h and is R/W. Otherwise it defaults to 0 and is RO. It contains a count of the number of successive transactions the host controller is allowed to execute from a high-speed queue head on the Asynchronous schedule before continuing traversal of the Asynchronous schedule. Valid values are 1h to 3h. Software must not write a 0 to this bit when Park Mode Enable is set to 1 as this will result in undefined behavior.

ASPME: Asynchronous Schedule Park Mode Enable (optional) (read/write or read-only)

If the Asynchronous Park Capability bit in the UPHPS_HCCPARAMS register is set to 1, then this bit defaults to a 1h and is R/W. Otherwise the bit must be a 0 and is RO. Software uses this bit to enable or disable Park mode. When this bit is set to 1, Park mode is enabled. When this bit is set to 0, Park mode is disabled.

ITC: Interrupt Threshold Control (read/write)

This field is used by system software to select the maximum rate at which the host controller will issue interrupts. The only valid values are defined below. If software writes an invalid value to this register, the results are undefined.

Value	Maximum Interrupt Interval
00h	Reserved
01h	1 micro-frame
02h	2 micro-frames
04h	4 micro-frames
08h	8 micro-frames (default, equates to 1 ms)
10h	16 micro-frames (2 ms)
20h	32 micro-frames (4 ms)
40h	64 micro-frames (8 ms)

Any other value in this register yields undefined results.

Software modifications to this bit while HCHalted bit is equal to 0 results in undefined behavior.

35.7.5 UPHPS USB Status Register

Name:UHPHS_USBSTS

Access:Read/Write

31	30	29	28	27	26	25	24
-							
23	22	21	20	19	18	17	16
-							
15	14	13	12	11	10	9	8
ASS	PSS	RCM	HCHLT	-			
7	6	5	4	3	2	1	0
-		IAA	HSE	FLR	PCD	USBERRINT	USBINT

This register indicates pending interrupts and various states of the Host Controller. The status resulting from a transaction on the serial bus is not indicated in this register. Software sets a bit to 0 in this register by writing a 1 to it.

USBINT: USB Interrupt (read/write clear)

The Host Controller sets this bit to 1 on the completion of a USB transaction, which results in the retirement of a Transfer Descriptor that had its IOC bit set.

The Host Controller also sets this bit to 1 when a short packet is detected (the actual number of bytes received was less than the expected number of bytes).

USBERRINT: USB Error Interrupt (read/write clear)

The Host Controller sets this bit to 1 when completion of a USB transaction results in an error condition (e.g., error counter underflow). If the TD on which the error interrupt occurred also had its IOC bit set, both this bit and USBINT bit are set.

PCD: Port Change Detect (read/write clear)

The Host Controller sets this bit to 1 when any port for which the Port Owner bit is set to 0 (see [Section 35.7.12 UPHPS Port Status and Control Register](#)) has a change bit transition from 0 to 1 or a Force Port Resume bit transition from 0 to 1 as a result of a J-K transition detected on a suspended port. This bit will also be set as a result of the Connect Status Change being set to 1 after system software has relinquished ownership of a connected port by writing 1 to a port's Port Owner bit.

This bit is allowed to be maintained in the Auxiliary power well. Alternatively, it is also acceptable that on a D3 to D0 transition of the EHCI HC device, this bit is loaded with the OR of all of the PORTSC change bits (including: Force Port Resume, Over-Current Change, Enable/Disable Change and Connect Status Change).

FLR: Frame List Rollover (read/write clear)

The Host Controller sets this bit to 1 when the Frame List Index (see [Section 35.7.7 UPHPS USB Frame Index Register](#)) rolls over from its maximum value to 0. The exact value at which the rollover occurs depends on the frame list size. For example, if the frame list size (as programmed in the Frame List Size field of the UHPHS_USBCMD register) is 1024, the Frame Index Register rolls over every time FRINDEX[13] toggles. Similarly, if the size is 512, the Host Controller sets this bit to 1 every time FRINDEX[12] toggles.

HSE: Host System Error (read/write clear)

The Host Controller sets this bit to 1 when a serious error occurs during a host system access involving the Host Controller module. In a PCI system, conditions that set this bit to 1 include PCI Parity error, PCI Master Abort, and PCI Target Abort. When this error occurs, the Host Controller clears the Run/Stop bit in the Command register to prevent further execution of the scheduled TDs.

IAA: Interrupt on Async Advance (read/write clear)

0: Default.

System software can force the host controller to issue an interrupt the next time the host controller advances the asynchronous schedule by writing 1 to the Interrupt on the Async Advance Doorbell bit in the UHPHS_USBCMD register. This status bit indicates the assertion of that interrupt source.

SAMA5D3 SERIES

HCHLT: HCHalted (read-only)

1: Default.

This bit is 0 whenever the Run/Stop bit is 1. The Host Controller sets this bit to 1 after it has stopped executing as a result of the Run/Stop bit being set to 0, either by software or by the Host Controller hardware (e.g. internal error).

RCM: Reclamation (read-only)

0: Default.

This is a read-only status bit used to detect any empty asynchronous schedule.

PSS: Periodic Schedule Status (read-only)

0: Default.

The bit reports the current real status of the Periodic Schedule. If this bit is set to 0, then the status of the Periodic Schedule is disabled. If this bit is set to 1, then the status of the Periodic Schedule is enabled. The Host Controller is not required to immediately disable or enable the Periodic Schedule when software transitions the Periodic Schedule Enable bit in the UHPHS_USBCMD register. When this bit and the Periodic Schedule Enable bit are the same value, the Periodic Schedule is either enabled (1) or disabled (0).

ASS: Asynchronous Schedule Status (read-only)

0: Default.

The bit reports the current real status of the Asynchronous Schedule. If this bit is set to 0, then the status of the Asynchronous Schedule is disabled. If this bit is set to 1, then the status of the Asynchronous Schedule is enabled. The Host Controller is not required to immediately disable or enable the Asynchronous Schedule when software transitions the Asynchronous Schedule Enable bit in the UHPHS_USBCMD register. When this bit and the Asynchronous Schedule Enable bit are the same value, the Asynchronous Schedule is either enabled (1) or disabled (0).

35.7.6 UHPHS USB Interrupt Enable Register

Name:UHPHS_USBINTR

Access:Read/Write

31	30	29	28	27	26	25	24
—							
23	22	21	20	19	18	17	16
—							
15	14	13	12	11	10	9	8
—							
7	6	5	4	3	2	1	0
—		IAAE	HSEE	FLRE	PCIE	USBEIE	USBIE

This register enables and disables reporting of the corresponding interrupt to the software. When a bit is set and the corresponding interrupt is active, an interrupt is generated to the host. Interrupt sources that are disabled in this register still appear in the UHPHS_USBSTS to allow the software to poll for events.

Each interrupt enable bit description indicates whether it is dependent on the interrupt threshold mechanism.

For all enable register bits, 1= Enabled, 0= Disabled.

USBIE: USB Interrupt Enable

When this bit is set to 1, and the USBINT bit in the UHPHS_USBSTS register is 1, the host controller will issue an interrupt at the next interrupt threshold. The interrupt is acknowledged by software clearing the USBINT bit.

USBEIE: USB Error Interrupt Enable

When this bit is set to 1, and the USBERRINT bit in the UHPHS_USBSTS register is 1, the host controller will issue an interrupt at the next interrupt threshold. The interrupt is acknowledged by software clearing the USBERRINT bit.

PCIE: Port Change Interrupt Enable

When this bit is set to 1, and the Port Change Detect bit in the UHPHS_USBSTS register is 1, the host controller will issue an interrupt. The interrupt is acknowledged by software clearing the Port Change Detect bit.

FLRE: Frame List Rollover Enable

When this bit is set to 1, and the Frame List Rollover bit in the UHPHS_USBSTS register is 1, the host controller will issue an interrupt. The interrupt is acknowledged by software clearing the Frame List Rollover bit.

HSEE: Host System Error Enable

When this bit is set to 1, and the Host System Error Status bit in the UHPHS_USBSTS register is 1, the host controller will issue an interrupt. The interrupt is acknowledged by software clearing the Host System Error bit.

IAAE: Interrupt on Async Advance Enable

When this bit is set to 1, and the Interrupt on Async Advance bit in the UHPHS_USBSTS register is 1, the host controller will issue an interrupt at the next interrupt threshold. The interrupt is acknowledged by software clearing the Interrupt on Async Advance bit.

SAMA5D3 SERIES

35.7.7 UPHPS USB Frame Index Register

Name: UPHPS_FRINDEX

Access: Read/Write

31	30	29	28	27	26	25	24
-							
23	22	21	20	19	18	17	16
-							
15	14	13	12	11	10	9	8
-				FI			
7	6	5	4	3	2	1	0
FI							

This register is used by the host controller to index into the periodic frame list. The register updates every 125 microseconds (once each micro-frame). Bits [N:3] are used to select a particular entry in the Periodic Frame List during periodic schedule execution. The number of bits used for the index depends on the size of the frame list as set by system software in the Frame List Size field in the UPHPS_USBCMD register (see [Section 35.7.4 UPHPS USB Command Register](#)).

This register must be written as a DWord. Byte writes produce undefined results. This register cannot be written unless the Host Controller is in the Halted state as indicated by the HCHalted bit (UPHPS_USBSTS register, [Section 35.7.5 UPHPS USB Status Register](#)). A write to this register while the Run/Stop bit is set to 1 (UPHPS_USBCMD register, [Section 35.7.4 UPHPS USB Command Register](#)) produces undefined results. Writes to this register also affect the SOF value.

FI: Frame Index

The value in this register increments at the end of each time frame (e.g. micro-frame). Bits [N:3] are used for the Frame List current index. This means that each location of the frame list is accessed eight times (frames or micro-frames) before moving to the next index. The following illustrates values of N based on the value of the Frame List Size field in the UPHPS_USBCMD register.

USBCMD [Frame List Size]	Number Elements	N
00b	(1024)	12
01b	(512)	11
10b	(256)	10
11b	Reserved	

The SOF frame number value for the bus SOF token is derived or alternatively managed from this register. The value of FRINDEX must be 125 μ sec (1 micro-frame) ahead of the SOF token value. The SOF value may be implemented as an 11-bit shadow register. For this discussion, this shadow register is 11 bits and is named SOFV. SOFV updates every eight micro-frames (1 millisecond). An example implementation to achieve this behavior is to increment SOFV each time the FRINDEX[2:0] increments from 0 to 1.

Software must use the value of FRINDEX to derive the current micro-frame number, both for high-speed isochronous scheduling purposes and to provide the “get micro-frame number” function required for client drivers. Therefore, the value of FRINDEX and the value of SOFV must be kept consistent if chip is reset or software writes to FRINDEX. Writes to FRINDEX must also write-through FRINDEX[13:3] to SOFV[10:0]. In order to keep the update as simple as possible, software should never write a FRINDEX value where the three least significant bits are 111b or 000b.

35.7.8 UPHPS Control Data Structure Segment Register

Name: UPHPS_CTRLDSSEGMENT

Access: Read/Write

This 32-bit register corresponds to the most significant address bits [63:32] for all EHCI data structures. If the 64-bit Addressing Capability field in UPHPS_HCCPARAMS is set to 0, then this register is not used. Software cannot write to it and a read from this register will return zeros.

If the 64-bit Addressing Capability field in UPHPS_HCCPARAMS is 1, then this register is used with the link pointers to construct 64-bit addresses to EHCI control data structures. This register is concatenated with the link pointer from either the UPHPS_PERIODICLISTBASE, UPHPS_ASYNC_LISTADDR, or any control data structure link field to construct a 64-bit address.

This register must be written as a DWord. Byte writes produce undefined results. This register allows the host software to locate all control data structures within the same 4-Gigabyte memory segment.

SAMA5D3 SERIES

35.7.9 UPHPS Periodic Frame List Base Address Register

Name: UPHPS_PERIODICLISTBASE

Access: Read/Write

31	30	29	28	27	26	25	24
BA							
23	22	21	20	19	18	17	16
BA							
15	14	13	12	11	10	9	8
BA				-			
7	6	5	4	3	2	1	0
-							

This 32-bit register contains the beginning address of the Periodic Frame List in the system memory. If the host controller is in 64-bit mode (as indicated by a 1 in the 64-bit Addressing Capability field in the UPHPS_HCCSPARAMS register), then the most significant 32 bits of every control data structure address comes from the UPHPS_CTRLDSSEGMENT register (see [Section 35.7.8 UPHPS Control Data Structure Segment Register](#)). System software loads this register prior to starting the schedule execution by the Host Controller. The memory structure referenced by this physical memory pointer is assumed to be 4-Kbyte aligned. The contents of this register are combined with the Frame Index Register (UPHPS_FRINDEX) to enable the Host Controller to step through the Periodic Frame List in sequence. This register must be written as a DWord. Byte writes produce undefined results.

BA: Base Address (Low)

These bits correspond to memory address signals [31:12], respectively.

35.7.10 UPHPS Asynchronous List Address Register

Name: UPHPS_ASYNCLISTADDR

Access: Read/Write

31	30	29	28	27	26	25	24
LPL							
23	22	21	20	19	18	17	16
LPL							
15	14	13	12	11	10	9	8
LPL							
7	6	5	4	3	2	1	0
LPL				-			

This 32-bit register contains the address of the next asynchronous queue head to be executed. If the host controller is in 64-bit mode (as indicated by a 1 in the 64-bit Addressing Capability field in the UPHPS_HCCPARAMS register), then the most significant 32 bits of every control data structure address comes from the UPHPS_CTRLDSSEGMENT register (See [Section 35.7.8 UPHPS Control Data Structure Segment Register](#)). Bits [4:0] of this register cannot be modified by system software and will always return a zero when read. The memory structure referenced by this physical memory pointer is assumed to be 32-byte (cache line) aligned. This register must be written as a DWord. Byte writes produce undefined results.

LPL: Link Pointer Low

These bits correspond to memory address signals [31:5], respectively. This field may only reference a Queue Head (QH).

SAMA5D3 SERIES

35.7.11 UPHPS Configure Flag Register

Name: UPHPS_CONFIGFLAG

Access: Read/Write

31	30	29	28	27	26	25	24	
				–				
23	22	21	20	19	18	17	16	
				–				
15	14	13	12	11	10	9	8	
				–				
7	6	5	4	3	2	1	0	
							CF	

This register is in the auxiliary power well. It is only reset by hardware when the auxiliary power is initially applied or in response to a host controller reset.

CF: Configure Flag (read/write)

Host software sets this bit as the last action in its process of configuring the Host Controller. This bit controls the default port-routing control logic. Bit values and side-effects are listed below.

0: Port routing control logic default-routes each port to an implementation-dependent classic host controller (default value).

1: Port routing control logic default-routes all ports to this host controller.

35.7.12 UPHPS Port Status and Control Register

Name: UPHPS_PORTSC_x[x = 0..2]

Access: Read/Write

31	30	29	28	27	26	25	24
-							
23	22	21	20	19	18	17	16
-	WKOC_E	WKDSCNNT_E	WKCNTNT_E	PTC			
15	14	13	12	11	10	9	8
PIC		PO	PP	LS		-	PR
7	6	5	4	3	2	1	0
SUS	FPR	OCC	OCA	PEDC	PED	CSC	CCS

A host controller must implement one or more port registers. The number of port registers implemented by a particular instantiation of a host controller is documented in the UPHPS_HCSPARAMS register ([Section 35.7.2 UPHPS Host Controller Structural Parameters Register](#)). Software uses this information as an input parameter to determine how many ports need to be serviced. All ports have the structure defined below.

This register is in the auxiliary power well. It is only reset by hardware when the auxiliary power is initially applied or in response to a host controller reset. The initial conditions of a port are:

- No device connected
- Port disabled

If the port has port power control, software cannot change the state of the port until after it applies power to the port by setting port power to a 1. Software must not attempt to change the state of the port until after power is stable on the port. The host is required to have power stable to the port within 20 milliseconds of the 0 to 1 transition.

Note 1: When a device is attached, the port state transitions to the connected state and system software will process this as with any status change notification.

- 2: If a port is being used as the Debug Port, then the port may report device connected and enabled when the Configured Flag is set to 0.

CCS: Current Connect Status (read-only)

0: No device is present (default value).

1: Device is present on port.

This value reflects the current state of the port, and may not correspond directly to the event that caused the Connect Status Change bit (Bit 1) to be set.

This field is 0 if Port Power is 0.

CSC: Connect Status Change (read/write clear)

0: No change (default value).

1: Change in Current Connect Status.

Indicates a change has occurred in the port's Current Connect Status. The host controller sets this bit for all changes to the port device connect status, even if system software has not cleared an existing connect status change. For example, the insertion status changes twice before system software has cleared the changed condition, hub hardware will be "setting" an already-set bit (i.e., the bit will remain set). Software sets this bit to 0 by writing a 1 to it.

This field is 0 if Port Power is 0.

PED: Port Enabled/Disabled (read/write)

0: Disable (default value).

1: Enable.

Ports can only be enabled by the host controller as a part of the reset and enable. Software cannot enable a port by writing a 1 to this field. The host controller will only set this bit to 1 when the reset sequence determines that the attached device is a high-speed device.

SAMA5D3 SERIES

Ports can be disabled by either a fault condition (disconnect event or other fault condition) or by host software. Note that the bit status does not change until the port state actually changes. There may be a delay in disabling or enabling a port due to other host controller and bus events.

When the port is disabled (0b), downstream propagation of data is blocked on this port, except for reset.

This field is 0 if Port Power is 0.

PEDC: Port Enable/Disable Change (read/write clear)

0: No change (default value).

1: Port enabled/disabled status has changed.

For the root hub, this bit gets set to 1 only when a port is disabled due to the appropriate conditions existing at the EOF2 point (See Chapter 11 of the USB Specification for the definition of a Port Error). Software clears this bit by writing a 1 to it.

This field is 0 if Port Power is 0.

OCA: Over-current Active (read-only)

0: This port does not have an over-current condition (default value).

1: This port currently has an over-current condition.

This bit will automatically transition from 1 to 0 when the over current condition is removed.

OCC: Over-current Change (read/write clear)

0: Default value.

1: This bit gets set to 1 when there is a change to Over-current Active.

Software clears this bit by writing 1 to this bit position.

FPR: Force Port Resume (read/write)

0: No resume (K-state) detected/driven on port (default value).

1: Resume detected/driven on port.

This functionality defined for manipulating this bit depends on the value of the Suspend bit. For example, if the port is not suspended (Suspend and Enabled bits are set to 1) and software transitions this bit to 1, then the effects on the bus are undefined.

Software sets this bit to a 1 to drive resume signaling. The Host Controller sets this bit to 1 if a J-to-K transition is detected while the port is in the Suspend state. When this bit transitions to 1 because a J-to-K transition is detected, the Port Change Detect bit in the UPHPS_USBSTS register is also set to 1. If software sets this bit to 1, the host controller must not set the Port Change Detect bit.

Note that when the EHCI controller owns the port, the resume sequence follows the defined sequence documented in the USB Specification Revision 2.0. The resume signaling (Full-speed 'K') is driven on the port as long as this bit remains set to 1. Software must appropriately time the Resume and set this bit to 0 when the appropriate amount of time has elapsed. Writing a 0 (from 1) causes the port to return to High-Speed mode (forcing the bus below the port into a high-speed idle). This bit will remain set to 1 until the port has switched to the high-speed idle. The host controller must complete this transition within 2 milliseconds of software setting this bit to 0.

This field is 0 if Port Power is 0.

SUS: Suspend (read/write)

0: Port not in suspend state (default value).

1: Port in suspend state.

Port Enabled Bit and Suspend bit of this register define the port states as follows:

Bits [Port Enabled, Suspend]	Port State
0X	Disable
10	Enable
11	Suspend

When in suspend state, downstream propagation of data is blocked on this port, except for port reset. The blocking occurs at the end of the current transaction, if a transaction was in progress when this bit was written to 1. In the suspend state, the port is sensitive to resume detection. Note that the bit status does not change until the port is suspended and that there may be a delay in suspending a port if there is a transaction currently in progress on the USB.

A write of 0 to this bit is ignored by the host controller. The host controller will unconditionally set this bit to 0 when:

- Software sets the Force Port Resume bit to 0 (from 1).
- Software sets the Port Reset bit to 1 (from 0).

If host software sets this bit to 1 when the port is not enabled (i.e., Port Enabled bit set to 0), the results are undefined.

This field is 0 if Port Power is set to 0.

PR: Port Reset (read/write)

0: Port is not in Reset (default value).

1: Port is in Reset.

When software writes a 1 to this bit (from 0), the bus reset sequence as defined in the USB Specification Revision 2.0 is started. Software writes a 0 to this bit to terminate the bus reset sequence. Software must keep this bit set to 1 long enough to ensure the reset sequence, as specified in the USB Specification Revision 2.0, completes. Note: when software writes this bit to 1, it must also write 0 to the Port Enable bit.

When software writes a 0 to this bit, there may be a delay before the bit status changes to 0. The bit status will not read as 0 until after the reset has completed. If the port is in High-Speed mode after reset is complete, the host controller will automatically enable this port (e.g. set the Port Enable bit to 1). A host controller must terminate the reset and stabilize the state of the port within 2 milliseconds of software transitioning this bit from 1 to 0. For example: if the port detects that the attached device is high-speed during reset, then the host controller must have the port in the enabled state within 2 ms of software writing this bit to 0.

The HCHalted bit in the UPHPS_USBSTS register should be set to 0 before software attempts to use this bit. The host controller may hold Port Reset asserted to 1 when the HCHalted bit is 1.

This field is 0 if Port Power is 0.

LS: Line Status (read-only)

These bits reflect the current logical levels of the D+ (bit 11) and D- (bit 10) signal lines. These bits are used for detection of low-speed USB devices prior to the port reset and enable sequence. This field is valid only when the port enable bit is 0 and the current connect status bit is set to 1.

Bits are encoded as follows:

Bits[11:10]	USB State	Interpretation
00b	SE0	Not a low-speed device, perform EHCI reset
10b	J-state	Not a low-speed device, perform EHCI reset
01b	K-state	Low-speed device, release ownership of port
11b	Undefined	Not a low-speed device, perform EHCI reset

This value of this field is undefined if Port Power is 0.

PP: Port Power (read/write or read-only)

The function of this bit depends on the value of the Port Power Control (PPC) field in the UPHPS_HCSPARAMS register. The behavior is as follows:

PPC	PP	Operation
0b	1b	Read-only. Host controller does not have port power control switches. Each port is hard-wired to power.
1b	1b/0b	Read/write. Host controller has port power control switches. This bit represents the current setting of the switch (0 = off, 1 = on). When power is not available on a port (i.e., PP at 0), the port is non-functional and will not report attaches, detaches, etc.

When an over-current condition is detected on a powered port and PPC is set to 1, the PP bit in each affected port may be transitioned by the host controller from 1 to 0 (removing power from the port).

SAMA5D3 SERIES

PO: Port Owner (read/write)

0: This bit unconditionally goes to a 0 when the Configured bit in the UPHPS_CONFIGFLAG register makes a 0 to 1 transition.

1: This bit unconditionally goes to 1 whenever the Configured bit is 0 (default value).

System software uses this field to release ownership of the port to a selected host controller (in the event that the attached device is not a high-speed device). Software writes 1 to this bit when the attached device is not a high-speed device. A 1 in this bit means that a companion host controller owns and controls the port.

PIC: Port Indicator Control (read/write)

00b: Default value.

Writing to these bits has no effect if the P_INDICATOR bit in the UPHPS_HCSPARAMS register is set to 0. If the P_INDICATOR bit is set to 1, then the bits are encoded as follows:

Bit Value	Meaning
00b	Port indicators are off
01b	Amber
10b	Green
11b	Undefined

Refer to the USB Specification Revision 2.0 for a description on how these bits are to be used.

This field is 0 if Port Power is 0.

PTC: Port Test Control (read/write)

0000b: Default value.

When this field is set to 0, the port is NOT operating in a test mode. A non-zero value indicates that it is operating in test mode and the specific test mode is indicated by the specific value.

Test mode bits are encoded as follows (0110b - 1111b are reserved):

Bits	Test Mode
0000b	Test mode not enabled
0001b	Test J_STATE
0010b	Test K_STATE
0011b	Test SE0_NAK
0100b	Test Packet
0101b	Test FORCE_ENABLE

Refer to the USB Specification Revision 2.0, Chapter 7, for details on each test mode.

WKCNNT_E: Wake on Connect Enable (read/write)

0: Default value.

Writing this bit to 1 enables the port to be sensitive to device connects as wake-up events.

This field is 0 if Port Power is 0.

WKDSCNNT_E: Wake on Disconnect Enable (read/write)

0: Default value.

Writing this bit to 1 enables the port to be sensitive to device disconnects as wake-up events.

This field is 0 if Port Power is 0.

WKOC_E: Wake on Over-current Enable (read/write)

0: Default value.

Writing this bit to 1 enables the port to be sensitive to over-current conditions as wake-up events.

This field is 0 if Port Power is 0.

SAMA5D3 SERIES

35.7.13 EHCI: REG00 - Programmable Microframe Base Value

Name: UHPHS_INSNREG00

Access: Read/Write

31	30	29	28	27	26	25	24
-							
23	22	21	20	19	18	17	16
-				Debug			
15	14	13	12	11	10	9	8
Debug		MFC_8			MFC_16		
7	6	5	4	3	2	1	0
MFC_16							En

The Programmable Microframe Base Value is used to change the microframe length value (default is microframe SOF = 125 ?s) in order to reduce simulation time.

En: Enable this Register

0: Register disabled (default value).

1: Register enabled.

Note: Do not enable this register for the gate-level netlist.

MFC_16: Microframe Counter with Word Byte Interface

This value is used as the 1-microframe counter with 16-bit interface.

MFC_8: Microframe Counter with Byte Interface

This value is used as the 1-microframe counter with 8-bit interface.

Debug: Debug Purposes

This field is used for debug purposes only.

In Heterogeneous mode, if the per port clock gets out of sync (but still within the ppm limits) of the phy_clk, then the per port SOF counter needs some correction relative to the global SOF counter. The RTL corrects itself if this happens.

This field controls the SOF correction, in case some debugging is required for the correction.

If bit 14 is set to 1, then it enables the RTL to use the value in bits 19:15 to perform the correction.

In normal operating mode, these bits should not be written.

Note:

The "value" in bits [31:1] must be programmed as follows: $(\text{value} + 32/64) * \text{Clock Period} = \text{microframe timer duration}$

Factor 32 is used for a 16-bit interface and factor 64 is used for an 8-bit interface. For example, for the full (125 μsec) microframe duration:

- In 8-bit, 60-MHz mode, the value is h1D0C (=7436), so $(7436 + 64) * 16.67 \text{ ns} = 125 \mu\text{s}$
- In 16-bit, 30-MHz mode, the value is hE86 (=3718), so $(3718 + 32) * 33.33 \text{ ns} = 125 \mu\text{s}$

For a 50 μsec microframe duration:

- In 8-bit, 60-MHz mode, the value is hB77 (=2395), so $(2395 + 64) * 16.67 \text{ ns} = 50 \mu\text{s}$
- In 16-bit, 30-MHz mode, the value is h5BC (=1468), so $(1468 + 32) * 33.33 \text{ ns} = 50 \mu\text{s}$

35.7.14 EHCI: REG01 - Programmable Packet Buffer OUT/IN Thresholds

Name:UHPHS_INSNREG01

Access:Read/Write

31	30	29	28	27	26	25	24
Out_Threshold							
23	22	21	20	19	18	17	16
Out_Threshold							
15	14	13	12	11	10	9	8
In_Threshold							
7	6	5	4	3	2	1	0
In_Threshold							

Programmable Packet Buffer OUT/IN thresholds (in CONFIG1 mode only, not applicable in Config2 mode).

The value specified here is the number of DWORDs (32-bit entries).

In_Threshold: Amount of Data Available in the IN Packet Buffer

The IN threshold is used to start the memory transfer as soon as the IN threshold amount of data is available in the Packet Buffer. It is also used to disconnect the data write, if the threshold amount of data is not available in the Packet Buffer.

Out_Threshold: Amount of Data Available in the OUT Packet Buffer

The OUT threshold is used to start the USB transfer as soon as the OUT threshold amount of data is fetched from system memory. It is also used to disconnect the data fetch, if the threshold amount of space is not available in the Packet Buffer.

The minimum OUT and IN threshold amount that can be programmed through INSN registers is 16 bytes.

For INCRX configurations, the minimum threshold amount that can be programmed is the highest possible INCRX burst value. For example, if the value of the strap signals {ss_ena_incr16_i, ss_ena_incr8_i, ss_ena_incr4_i} is 3'b011 (for example, INCR16 burst is disabled, INCR8/INCR4 bursts are enabled), then the minimum OUT and IN threshold values should be 32 bytes (8 DWords).

OUT and IN threshold values can be equal to the packet buffer depth only when one of the following conditions is met:

- The packet buffer depth is equal to 512 bytes and isochronous/interrupt transactions are not initiated by the host controller.
- The packet buffer depth is equal to 1024 bytes.

The threshold default value depends on one of the following packet buffer configurations:

- 1024 bytes depth, 256 bytes IN and OUT thresholds
- 512 bytes depth, 128 bytes IN and OUT thresholds
- 256 bytes depth, 64 bytes IN and OUT thresholds
- 128 bytes depth, 64 bytes IN and OUT thresholds
- 64 bytes depth, 60 bytes IN and OUT thresholds

For INCRX configurations, the Break Memory Transfer bit is always enabled.

Depending on the different packet buffer settings, not all MSB bits are used.

SAMA5D3 SERIES

35.7.15 EHCI: REG02 - Programmable Packet Buffer Depth

Name:UHPHS_INSNREG02

Access:Read/Write

31	30	29	28	27	26	25	24	
				-				
23	22	21	20	19	18	17	16	
				-				
15	14	13	12	11	10	9	8	
					Dwords			
7	6	5	4	3	2	1	0	
Dwords								

Programmable Packet Buffer Depth (in CONFIG1 mode only, not applicable in Config2 mode).

The value specified here is the number of DWORDs (32-bit entries).

Dwords: Number of Entries

For a maximum 256 entries for 1-Kbyte packet buffer, bits [8:0] are sufficient.

35.7.16 EHCI: REG03

Name:UHPHS_INSNREG03

Access:Read/Write

31	30	29	28	27	26	25	24
-							
23	22	21	20	19	18	17	16
-							
15	14	13	12	11	10	9	8
-	EN_CK256	Ignore_LS	Tx_Tx			Per_Frame	TA_Offset
7	6	5	4	3	2	1	0
TA_Offset							Break_Mem

The default value for INSNREG03[0] depends on the host core configuration. So, if INCRx support is enabled, this bit is 1 after reset. Otherwise, it should stay at 0.

Break_Mem: Break Memory Transfer (in CONFIG1 mode only, not applicable in CONFIG2 mode)

0: Disables this function.

1: Enables this function.

Used in conjunction with INSNREG01 to enable breaking memory transactions into chunks once the OUT/IN threshold value is reached.

TA_Offset: Time-Available Offset

This value indicates the additional number of bytes to be accommodated for the time-available calculation. The USB traffic on the bus can be started only when sufficient time is available to complete the packet within the EOF1 point.

Refer to the USB 2.0 specification for details of the EOF1 point. This time-available calculation is done in the hardware, and can be further offset by programming a value in this location.

Note: Time-available calculation is added for future flexibility. The application is not required to program this field by default.

Per_Frame: Periodic Frame List Fetch

In CONFIG1 mode only ("EHCI Descriptor/Data Prefetching" is disabled in core configuration), setting this bit forces the host controller to fetch the periodic frame list in every microframe of a frame. If not set, then the periodic frame list is fetched only in microframe 0 of every frame.

The default is 0 (not set). This bit can be changed only during core initialization and should not be changed afterwards.

Tx_Tx: Tx-Tx turnaround Delay Add-on

This field specifies the extra delays in phy_clks to be added to the "Transmit to Transmit turnaround delay" value maintained in the core. The default value of this register field is 0. This default value of 0 is sufficient for most PHYs. But for some PHYs which enter wait states during the token packet, it may be required to program a value greater than 0 to meet the transmit-to-transmit minimum turnaround time. It is recommended to use default value 0 and to change it only if there is an issue with minimum transmit-to-transmit turnaround time.

This value should be programmed during core initialization and should not be changed afterwards.

Ignore_LS: Ignore Linestate during TestSE0 Nak

When set to 1 (default), the core ignores the linestate checking when transmitting SOF in SE0_NAK Test mode.

When set to 0, the port state machine disables the port if it does not find the linestate to be in SE0 when transmitting SOF during the SE0_NAK test.

While performing impedance measurement during the SE0_NAK test, the linestate could go to non SE0 forcing the core to disable the port. This bit is used to control the port behavior during this operation.

EN_CK256: Enable 256 Clock Checking

This bit controls the End of Resume sequence of the EHCI host controller.

By default, the value of this bit is 0 and during the End of Resume sequence, the host controller waits for SE0 on the linestate before switching the PHY to High-Speed.

When set to 1, during the End of Resume sequence, the controller waits for SE0 or 256 clocks before switching the PHY to High-Speed.

SAMA5D3 SERIES

Setting this bit to 1 enables the 256-clock check. Some of the UTMI PHYs do not present SE0 on the linestate during the End of Resume sequence. For such PHYs, this bit should be set, so that the core does not wait forever for SE0.

This bit should be set only during initialization.

35.7.17 EHCI: REG04

Name:UHPHS_INSNREG04

Access:Read/Write

31	30	29	28	27	26	25	24	
-								
23	22	21	20	19	18	17	16	
-								
15	14	13	12	11	10	9	8	
-								
7	6	5	4	3	2	1	0	
-		EN_AutoFunc	NAK_RF	-		SDPE_TIME	HCCPARAMS_ BW	HCSPARAMS_ W

Bits [2:0] are used for debug purposes. Bits [(5+UHC2_N_PORTS):4] are functional bits where UHC2_N_PORTS indicates the number of physical USB ports.

HCSPARAMS_W: HCSPARAMS Write

When set, the HCSPARAMS register becomes writable. Upon system reset, this bit is 0.

HCCPARAMS_BW: HCCPARAMS Bits Write

When set, the HCCPARAMS register's bits 17, 15:4, and 2:0 become writable. Upon system reset, these bits are 0.

SDPE_TIME: Scales Down Port Enumeration Time

When set, Scales Down Port Enumeration Time is enabled. Reset value is 1'b0.

Note: This bit can be used for both RTL and Gate level simulations.

NAK_RF: NAK Reload Fix (Read/Write)

0: Enables this function.

1: Disables this function

Incorrect NAK reload transition at the end of a microframe for backward compatibility with Release 2.40c. For more information, see the *USB 2.0 Host-AHB Release Notes*. Reset value is 1'b0.

EN_AutoFunc: Enable Automatic Feature

0: Enables the automatic feature.

The Suspend signal is deasserted (logic level 1'b1) when run/stop is reset by software, but the hchalted bit is not set yet.

1: Disables the automatic feature, which takes all ports out of suspend when software clears the run/stop bit. This is for backward compatibility.

Bit [5] has an added functionality in release 2.80a and later. For systems where the host is halted without waking up all ports out of suspend, the port can remain suspended because the PHYCLK is not running when the halt is programmed. To avoid this, the DWC H20AHB host core automatically pulls ports out of suspend when the host is halted by software.

This bit is used to disable this automatic function.

Reset value is 0.

SAMA5D3 SERIES

35.7.18 EHCI: REG05 - UTMI Configuration

Name:UHPHS_INSNREG05

Access:Read/Write

31	30	29	28	27	26	25	24
-							
23	22	21	20	19	18	17	16
-						VBusy	VPort
15	14	13	12	11	10	9	8
VPort			VControlLoadM	VControl			
7	6	5	4	3	2	1	0
VStatus							

Control and Status Register, used to read the UTMI registers from the following signals:

VStatus: Vendor Status (Software RO)

VControl: Vendor Control (Software R/W)

VControlLoadM: Vendor Control Load Microframe

0: Load.

1: NOP (software R/W)

VPort: Vendor Port (Software R/W)

Valid values range from 1 to 15 depending on coreConsultant configuration.

For example, if the number of ports is 3, then software should only write values 1, 2, and 3 to this field and not any other values in the range, that is, 0 or 4 to 15. For example, if the software writes value 4 to VPort, from that write onwards, any write to this register is ignored and the read value will always be 4.

VBusy: Vendor Busy (Software RO)

Hardware indicator that a write to this register has occurred and the hardware is currently processing the operation defined by the data written. When processing is finished, this bit is cleared.

35.7.19 EHCI: REG06 - AHB Error Status

Name:UHPHS_INSNREG06

Access:Read/Write

31	30	29	28	27	26	25	24
AHB_ERR							
23	22	21	20	19	18	17	16
-							
15	14	13	12	11	10	9	8
-				HBURST			Nb_Burst
7	6	5	4	3	2	1	0
Nb_Burst				Nb_Success_Burst			

Control and Status Register, used to read the UTMI registers from the following signals:

Nb_Success_Burst: Number of Successful Bursts (read-only)⁽¹⁾

Number of successfully completed beats in the current burst before the AHB error occurred.

Nb_Burst: Number of Bursts (read-only)⁽¹⁾

Number of beats expected in the burst at which the AHB error occurred. Valid values are 0 to 16.

5'b10001–5b11111: Reserved

5'b00000–5b10000: Valid

HBURST: Burst Value (read-only)⁽¹⁾

Value of the control phase at which the AHB error occurred.

Note 1: This field applies to AHB INCRX-enabled configurations only.

AHB_ERR: AHB Error

AHB Error Captured Indicator that an AHB error was encountered and values were captured. To clear this field the application must write a 0 to it.

EHCI:

- When no error, 0 is written to INSNREG[8:4].
- When INCR4 and an error occur, 4 is written to INSNREG[8:4].
- When INCR8 and an error occur, 8 is written to INSNREG[8:4].
- When INCR16 and an error occur, 16 is written to INSNREG[8:4].
- Other values except 4, 8, and 16 are not written to INSNREG[8:4].

OHCI:

- When no error, 0 is written to INSNREG[8:4].
- When INCR4 and error occur, 4 is written to INSNREG[8:4].
- Other values except 4 are not written to INSNREG[8:4].

SAMA5D3 SERIES

35.7.20 EHCI: REG07 - AHB Master Error Address

Name:UHPHS_INSNREG07

Access:Read Only

31	30	29	28	27	26	25	24
AHB_ADDR							
23	22	21	20	19	18	17	16
AHB_ADDR							
15	14	13	12	11	10	9	8
AHB_ADDR							
7	6	5	4	3	2	1	0
AHB_ADDR							

AHB_ADDR: AHB Address (read only)

AHB address of the control phase at which the AHB error occurred.

35.7.21 EHCI: REG08 - HSIC Enable/Disable

Name:UHPHS_INSNREG08

Access:Read / Write

31	30	29	28	27	26	25	24	
				-				
23	22	21	20	19	18	17	16	
				-				
15	14	13	12	11	10	9	8	
				-				
7	6	5	4	3	2	1	0	
					HSIC_EN			
						-		

HSIC_EN: HSIC Enable/Disable

This register has R/W access to the host driver and gives control to the host driver to enable/disable the HSIC interface of PORT C.

0: PORT C is in the HSIC Disable state (see *High-Speed Inter-Chip USB Electrical Specification*, Version 1.0, Section 3.1.2). HSIC is in the Disabled state after a power-on reset.

1: PORT C is in the HSIC Enable state (see *High-Speed Inter-Chip USB Electrical Specification*, Version 1.0, Section 3.1.2).

SAMA5D3 SERIES

36. Gigabit Ethernet MAC (GMAC)

36.1 Description

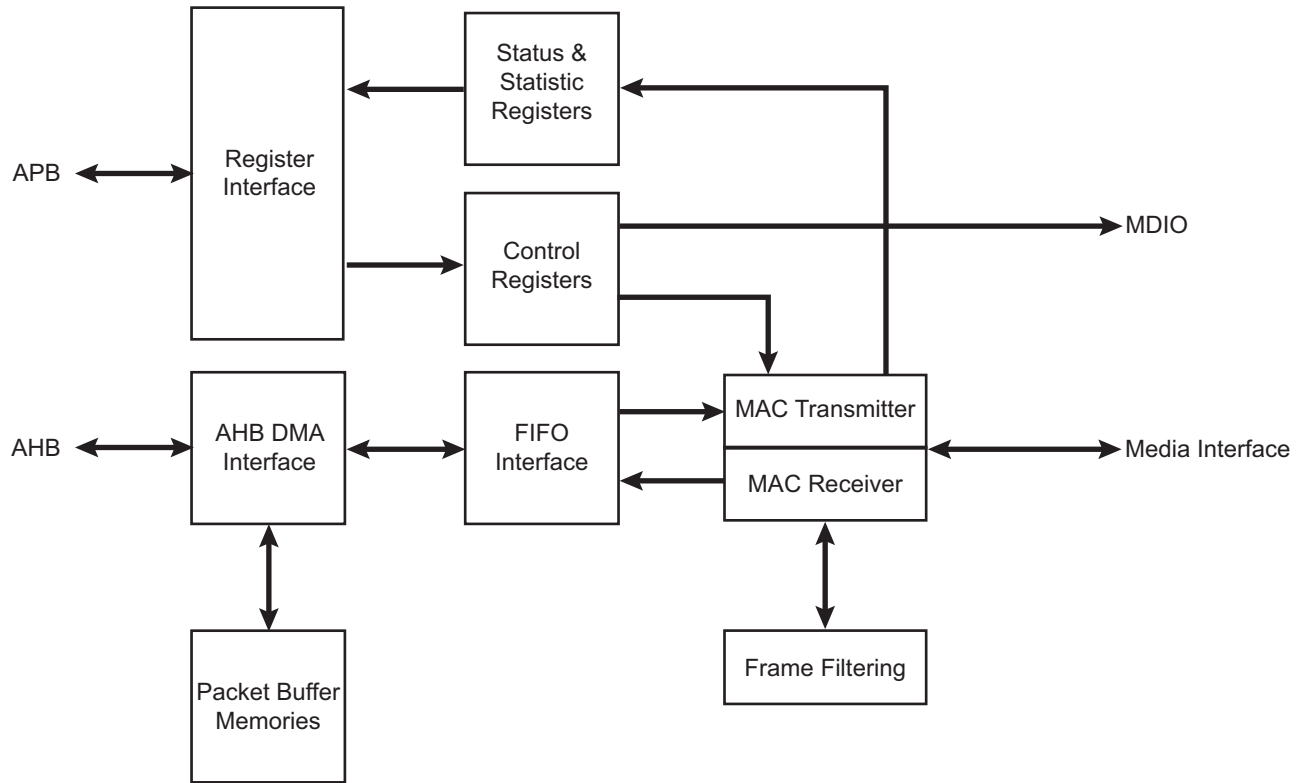
The Gigabit Ethernet MAC (GMAC) module implements a 10/100/1000 Mbps Ethernet MAC compatible with the IEEE 802.3 standard. The GMAC can operate in either half or full duplex mode at all supported speeds. The [GMAC Network Configuration Register](#) is used to select the speed, duplex mode and interface type (MII, GMII or RGMII).

36.2 Embedded Characteristics

- Compatible with IEEE Standard 802.3
- 10, 100 and 1000 Mbps Operation
- Full and Half Duplex Operation at all Supported Speeds of Operation
- Statistics Counter Registers for RMON/MIB
- MII/GMII/RGMIIv1.3 Interface to the Physical Layer
- Integrated Physical Coding
- Direct Memory Access (DMA) Interface to External Memory
- Programmable Burst Length and Endianism for DMA
- Interrupt Generation to Signal Receive and Transmit Completion, Errors or Other Events
- Automatic Pad and Cyclic Redundancy Check (CRC) Generation on Transmitted Frames
- Frame Extension and Frame Bursting at 1000 Mbps in Half Duplex Mode
- Automatic Discard of Frames Received with Errors
- Receive and Transmit IP, TCP and UDP Checksum Offload. Both IPv4 and IPv6 Packet Types Supported
- Address Checking Logic for Four Specific 48-bit Addresses, Four Type IDs, Promiscuous Mode, Hash Matching of Unicast and Multicast Destination Addresses and Wake-on-LAN
- Management Data Input/Output (MDIO) Interface for Physical Layer Management
- Support for Jumbo Frames up to 10240 Bytes
- Full Duplex Flow Control with Recognition of Incoming Pause Frames and Hardware Generation of Transmitted Pause Frames
- Half Duplex Flow Control by Forcing Collisions on Incoming Frames
- Support for 802.1Q VLAN Tagging with Recognition of Incoming VLAN and Priority Tagged Frames
- Support for 802.1Qbb Priority-based Flow Control
- Programmable Inter Packet Gap (IPG) Stretch
- Recognition of IEEE 1588 PTP Frames
- IEEE 1588 Timestamp Unit (TSU)
- Support for 802.1AS Timing and Synchronization

36.3 Block Diagram

Figure 36-1: Block Diagram



36.4 Signal Interface

The GMAC includes the following signal interfaces:

- MII, GMII and RGMII to an external PHY
- MDIO interface for external PHY management
- Slave APB interface for accessing GMAC registers
- Master AHB interface for memory access

Table 36-1: GMAC Connections in Different Modes

Signal Name	Function	MII	GMII	RGMII
GTXCK	Transmit Clock or Reference Clock	TXCK	Not Used	TXCK
G125CK	125 MHz input Clock	Not Used	125 MHz Ref Clk	125 MHz Ref Clk
G125CKO	125 MHz output Clock	Not Used	TXCK	Not Used
GTXEN	Transmit Enable	TXEN	TXEN	TXCTL
GTX[7..0]	Transmit Data	TXD[3:0]	TXD[7:0]	TXD[3:0]
GTXER	Transmit Coding Error	TXER	TXER	Not Used
GRXCK	Receive Clock	RXCK	RXCK	RXCK
GRXDV	Receive Data Valid	RXDV	RXDV	Not Used
GRX[7..0]	Receive Data	RXD[3:0]	RXD[7:0]	RXD[3:0]
GRXER	Receive Error	RXER	RXER	RXCTL

SAMA5D3 SERIES

Table 36-1: GMAC Connections in Different Modes (Continued)

Signal Name	Function	MII	GMII	RGMII
GCRS	Carrier Sense and Data Valid	CRS	CRS	Not Used
GCOL	Collision Detect	COL	COL	Not Used
GMDC	Management Data Clock	MDC	MDC	MDC
GMDIO	Management Data Input/Output	MDIO	MDIO	MDIO

36.5 Product Dependencies

36.5.1 I/O Lines

The pins used for interfacing the GMAC may be multiplexed with PIO lines. The programmer must first program the PIO Controller to assign the pins to their peripheral function. If I/O lines of the GMAC are not used by the application, they can be used for other purposes by the PIO Controller.

Table 36-2: I/O Lines

Instance	Signal	I/O Line	Peripheral
GMAC	GCOL	PB15	A
GMAC	GCRS	PB14	A
GMAC	GMDC	PB16	A
GMAC	GMDIO	PB17	A
GMAC	GRXCK	PB11	A
GMAC	GRXDV	PB12	A
GMAC	GRXER	PB13	A
GMAC	GRX0	PB4	A
GMAC	GRX1	PB5	A
GMAC	GRX2	PB6	A
GMAC	GRX3	PB7	A
GMAC	GRX4	PB23	B
GMAC	GRX5	PB24	B
GMAC	GRX6	PB25	B
GMAC	GRX7	PB26	B
GMAC	GTXCK	PB8	A
GMAC	GTXEN	PB9	A
GMAC	GTXER	PB10	A
GMAC	GTX0	PB0	A
GMAC	GTX1	PB1	A
GMAC	GTX2	PB2	A
GMAC	GTX3	PB3	A
GMAC	GTX4	PB19	B
GMAC	GTX5	PB20	B
GMAC	GTX6	PB21	B

Table 36-2: I/O Lines

GMAC	GTX7	PB22	B
GMAC	G125CK	PB18	A
GMAC	G125CKO	PB27	B

36.5.2 Power Management

The GMAC is not continuously clocked. The user must first enable the GMAC clock in the Power Management Controller before using it.

36.5.3 Interrupt Sources

The GMAC interrupt line is connected to one of the internal sources of the interrupt controller. Using the GMAC interrupt requires prior programming of the interrupt controller.

Table 36-3: Peripheral IDs

Instance	ID
GMAC	34

36.6 Functional Description

36.6.1 Media Access Controller

The Media Access Controller (MAC) transmit block takes data from FIFO, adds preamble and, if necessary, pad and frame check sequence (FCS). Both half duplex and full duplex Ethernet modes of operation are supported. When operating in half duplex mode, the MAC transmit block generates data according to the carrier sense multiple access with collision detect (CSMA/CD) protocol. The start of transmission is deferred if carrier sense (CRS) is active. If collision (COL) becomes active during transmission, a jam sequence is asserted and the transmission is retried after a random back off. The CRS and COL signals have no effect in full duplex mode. When operating in gigabit mode half duplex, both carrier extension and frame bursting are performed in accordance with the IEEE 802.3 standard.

The MAC receive block checks for valid preamble, FCS, alignment and length, and presents received frames to the MAC address checking block and FIFO. Software can configure the GMAC to receive jumbo frames up to 10240 bytes. It can optionally strip CRC from the received frame prior to transfer to FIFO.

The address checker recognizes four specific 48-bit addresses, can recognize four different type ID values, and contains a 64-bit Hash register for matching multicast and unicast addresses as required. It can recognize the broadcast address of all ones and copy all frames. The MAC can also reject all frames that are not VLAN tagged and recognize Wake on LAN events.

The MAC receive block supports offloading of IP, TCP and UDP checksum calculations (both IPv4 and IPv6 packet types supported), and can automatically discard bad checksum frames.

36.6.2 1588 Timestamp Unit

The 1588 timestamp unit (TSU) is implemented as a 94-bit timer.

The 48 upper bits [93:46] of the timer count seconds and are accessible in the [GMAC 1588 Timer Seconds High Register](#) (GMAC_TSH) and [GMAC 1588 Timer Seconds Low Register](#) (GMAC_TSL). The 30 lower bits [45:16] of the timer count nanoseconds and are accessible in the [GMAC 1588 Timer Nanoseconds Register](#) (GMAC_TN). The lowest 16 bits [15:0] of the timer count sub-nanoseconds.

The 46 lower bits roll over when they have counted to one second. The timer increments by a programmable period (to approximately 15.2 femtoseconds resolution) with each MCK period and can also be adjusted in 1ns resolution (incremented or decremented) through APB register accesses.

36.6.3 AHB Direct Memory Access Interface

The GMAC DMA controller is connected to the MAC FIFO interface and provides a scatter-gather type capability for packet data storage. The DMA implements packet buffering where dual-port memories are used to buffer multiple frames.

36.6.3.1 Packet Buffer DMA

- Easier to ensure maximum line rate due to the ability to store multiple frames in the packet buffer, where the number of frames is limited by the amount of packet buffer memory and Ethernet frame size
- Full store and forward, or partial store and forward programmable options (partial store will cater for shorter latency requirements)
- Support for Transmit TCP/IP checksum offload

SAMA5D3 SERIES

- Support for priority queueing
- When a collision on the line occurs during transmission, the packet will be automatically replayed directly from the packet buffer memory rather than having to re-fetch through the AHB (full store and forward ONLY)
- Received errored packets are automatically dropped before any of the packet is presented to the AHB (full store and forward ONLY), thus reducing AHB activity
- Supports manual RX packet flush capabilities
- Optional RX packet flush when there is lack of AHB resource

36.6.3.2 Partial Store and Forward Using Packet Buffer DMA

The DMA uses SRAM-based packet buffers, and can be programmed into a low latency mode, known as Partial Store and Forward. This allows for a reduced latency as the full packet is not buffered before forwarding. Note that this option is only available when the device is configured for full duplex operation. This feature is enabled via the programmable TX and RX Partial Store and Forward registers (GMAC_TPSF and GMAC_RPSF). When the transmit Partial Store and Forward mode is activated, the transmitter will only begin to forward the packet to the MAC when there is enough packet data stored in the packet buffer. Likewise, when the receive Partial Store and Forward mode is activated, the receiver will only begin to forward the packet to the AHB when enough packet data is stored in the packet buffer. The amount of packet data required to activate the forwarding process is programmable via watermark registers which are located at the same address as the partial store and forward enable bits. Note that the minimum operational value for the TX partial store and forward watermark is 20. There is no operational limit for the RX partial store and forward watermark. Enabling partial store and forward is a useful means to reduce latency, but there are performance implications. The GMAC DMA uses separate transmit and receive lists of buffer descriptors, with each descriptor describing a buffer area in memory. This allows Ethernet packets to be broken up and scattered around the AHB memory space.

36.6.3.3 Receive AHB Buffers

Received frames, optionally including FCS, are written to receive AHB buffers stored in memory. The receive buffer depth is programmable in the range of 64 bytes to 16 Kbytes through the DMA Configuration register (GMAC_DCFGR), with the default being 128 bytes.

The start location for each receive AHB buffer is stored in memory in a list of receive buffer descriptors at an address location pointed to by the receive buffer queue pointer. The base address for the receive buffer queue pointer is configured in software using the Receive Buffer Queue Base Address register (GMAC_RBQB).

Each list entry consists of two words. The first is the address of the receive AHB buffer and the second the receive status. If the length of a receive frame exceeds the AHB buffer length, the status word for the used buffer is written with zeroes except for the “start of frame” bit, which is always set for the first buffer in a frame. Bit zero of the address field is written to 1 to show the buffer has been used. The receive buffer manager then reads the location of the next receive AHB buffer and fills that with the next part of the received frame data. AHB buffers are filled until the frame is complete and the final buffer descriptor status word contains the complete frame status. Refer to [Table 36-4](#) for details of the receive buffer descriptor list.

Each receive AHB buffer start location is a word address. The start of the first AHB buffer in a frame can be offset by up to three bytes, depending on the value written to bits 14 and 15 of the Network Configuration register (GMAC_NCFGR). For 64-bit datapaths, the start of the frame can be offset by up to a further four bytes if bit 2 of the AHB buffer start location in the buffer descriptor is set. If the start location of the AHB buffer is offset, the available length of the first AHB buffer is reduced by the corresponding number of bytes.

To receive frames, the AHB buffer descriptors must be initialized by writing an appropriate address to bits 31:2 in the first word of each

Table 36-4: Receive Buffer Descriptor Entry

Bit	Function
Word 0	
31:2	Address of beginning of buffer
1	Wrap—marks last descriptor in receive buffer descriptor list.
0	Ownership—needs to be zero for the GMAC to write data to the receive buffer. The GMAC sets this to one once it has successfully written a frame to memory. Software has to clear this bit before the buffer can be used again.
Word 1	
31	Global all ones broadcast address detected
30	Multicast hash match
29	Unicast hash match
28	–
27	Specific Address Register match found, bit 25 and bit 26 indicate which Specific Address Register causes the match.
26:25	Specific Address Register match. Encoded as follows: 00: Specific Address Register 1 match 01: Specific Address Register 2 match 10: Specific Address Register 3 match 11: Specific Address Register 4 match If more than one specific address is matched only one is indicated with priority 4 down to 1.
24	This bit has a different meaning depending on whether RX checksum offloading is enabled. With RX checksum offloading disabled: (bit 24 clear in Network Configuration Register) Type ID register match found, bit 22 and bit 23 indicate which type ID register causes the match. With RX checksum offloading enabled: (bit 24 set in Network Configuration Register) 0: The frame was not SNAP encoded and/or had a VLAN tag with the Canonical Format Indicator (CFI) bit set. 1: The frame was SNAP encoded and had either no VLAN tag or a VLAN tag with the CFI bit not set.
23:22	This bit has a different meaning depending on whether RX checksum offloading is enabled. With RX checksum offloading disabled: (bit 24 clear in Network Configuration) Type ID register match. Encoded as follows: 00: Type ID register 1 match 01: Type ID register 2 match 10: Type ID register 3 match 11: Type ID register 4 match If more than one Type ID is matched only one is indicated with priority 4 down to 1. With RX checksum offloading enabled: (bit 24 set in Network Configuration Register) 00: Neither the IP header checksum nor the TCP/UDP checksum was checked. 01: The IP header checksum was checked and was correct. Neither the TCP nor UDP checksum was checked. 10: Both the IP header and TCP checksum were checked and were correct. 11: Both the IP header and UDP checksum were checked and were correct.
21	VLAN tag detected—type ID of 0x8100. For packets incorporating the stacked VLAN processing feature, this bit will be set if the second VLAN tag has a type ID of 0x8100

SAMA5D3 SERIES

Table 36-4: Receive Buffer Descriptor Entry (Continued)

Bit	Function
20	Priority tag detected—type ID of 0x8100 and null VLAN identifier. For packets incorporating the stacked VLAN processing feature, this bit will be set if the second VLAN tag has a type ID of 0x8100 and a null VLAN identifier.
19:17	VLAN priority—only valid if bit 21 is set.
16	Canonical format indicator (CFI) bit (only valid if bit 21 is set).
15	End of frame—when set the buffer contains the end of a frame. If end of frame is not set, then the only valid status bit is start of frame (bit 14).
14	Start of frame—when set the buffer contains the start of a frame. If both bits 15 and 14 are set, the buffer contains a whole frame.
13	<p>This bit has a different meaning depending on whether jumbo frames and ignore FCS modes are enabled. If neither mode is enabled this bit will be zero.</p> <p>With jumbo frame mode enabled: (bit 3 set in Network Configuration Register) Additional bit for length of frame (bit[13]), that is concatenated with bits[12:0]</p> <p>With ignore FCS mode enabled and jumbo frames disabled: (bit 26 set in Network Configuration Register and bit 3 clear in Network Configuration Register) This indicates per frame FCS status as follows: 0: Frame had good FCS 1: Frame had bad FCS, but was copied to memory as ignore FCS enabled.</p>
12:0	<p>These bits represent the length of the received frame which may or may not include FCS depending on whether FCS discard mode is enabled.</p> <p>With FCS discard mode disabled: (bit 17 clear in Network Configuration Register) Least significant 12 bits for length of frame including FCS. If jumbo frames are enabled, these 12 bits are concatenated with bit[13] of the descriptor above.</p> <p>With FCS discard mode enabled: (bit 17 set in Network Configuration Register) Least significant 12 bits for length of frame excluding FCS. If jumbo frames are enabled, these 12 bits are concatenated with bit[13] of the descriptor above.</p>

list entry. Bit 0 must be written with zero. Bit 1 is the wrap bit and indicates the last entry in the buffer descriptor list.

The start location of the receive buffer descriptor list must be written with the receive buffer queue base address before reception is enabled (receive enable in the Network Control (GMAC_NCR) register). Once reception is enabled, any writes to the Receive Buffer Queue Base Address register are ignored. When read, it will return the current pointer position in the descriptor list, though this is only valid and stable when receive is disabled.

If the filter block indicates that a frame should be copied to memory, the receive data DMA operation starts writing data into the receive buffer. If an error occurs, the buffer is recovered.

An internal counter within the GMAC represents the receive buffer queue pointer and it is not visible through the CPU interface. The receive buffer queue pointer increments by two words after each buffer has been used. It re-initializes to the receive buffer queue base address if any descriptor has its wrap bit set.

As receive AHB buffers are used, the receive AHB buffer manager sets bit zero of the first word of the descriptor to logic one indicating the AHB buffer has been used.

Software should search through the “used” bits in the AHB buffer descriptors to find out how many frames have been received, checking the start of frame and end of frame bits.

When the DMA is configured in the packet buffer Partial Store And Forward mode, received frames are written out to the AHB buffers as soon as enough frame data exists in the packet buffer. For both cases, this may mean several full AHB buffers are used before some error conditions can be detected. If a receive error is detected the receive buffer currently being written will be recovered. Previous buffers will not be recovered. As an example, when receiving frames with cyclic redundancy check (CRC) errors or excessive length, it is possible that a frame fragment might be stored in a sequence of AHB receive buffers. Software can detect this by looking for start of frame bit set in a buffer following a buffer with no end of frame bit set.

To function properly, a 10/100/1000 Ethernet system should have no excessive length frames or frames greater than 128 bytes with CRC errors. Collision fragments will be less than 128 bytes long, therefore it will be a rare occurrence to find a frame fragment in a receive AHB buffer, when using the default value of 128 bytes for the receive buffers size.

When in packet buffer full store and forward mode, only good received frames are written out of the DMA, so no fragments will exist in the AHB buffers due to MAC receiver errors. There is still the possibility of fragments due to DMA errors, for example used bit read on the second buffer of a multi-buffer frame.

If bit zero of the receive buffer descriptor is already set when the receive buffer manager reads the location of the receive AHB buffer, then the buffer has been already used and cannot be used again until software has processed the frame and cleared bit zero. In this case, the "buffer not available" bit in the receive status register is set and an interrupt triggered. The receive resource error statistics register is also incremented.

When the DMA is configured in the packet buffer full store and forward mode, the user can optionally select whether received frames should be automatically discarded when no AHB buffer resource is available. This feature is selected via bit 24 of the DMA Configuration register (by default, the received frames are not automatically discarded). If this feature is off, then received packets will remain to be stored in the SRAM-based packet buffer until AHB buffer resource next becomes available. This may lead to an eventual packet buffer overflow if packets continue to be received when bit zero (used bit) of the receive buffer descriptor remains set. Note that after a used bit has been read, the receive buffer manager will re-read the location of the receive buffer descriptor every time a new packet is received. When the DMA is not configured in the packet buffer full store and forward mode and a used bit is read, the frame currently being received will be automatically discarded.

When the DMA is configured in the packet buffer full store and forward mode, a receive overrun condition occurs when the receive SRAM-based packet buffer is full, or because HRESP was not OK. In all other modes, a receive overrun condition occurs when either the AHB bus was not granted quickly enough, or because HRESP was not OK, or because a new frame has been detected by the receive block, but the status update or write back for the previous frame has not yet finished. For a receive overrun condition, the receive overrun interrupt is asserted and the buffer currently being written is recovered. The next frame that is received whose address is recognized reuses the buffer.

In any packet buffer mode, a write to bit 18 of GMAC_NCR will force a packet from the external SRAM-based receive packet buffer to be flushed. This feature is only acted upon when the RX DMA is not currently writing packet data out to AHB, i.e., it is in an IDLE state. If the RX DMA is active, a write to this bit is ignored.

36.6.3.4 Transmit AHB Buffers

Frames to transmit are stored in one or more transmit AHB buffers. Transmit frames can be between 1 and 16384 bytes long, so it is possible to transmit frames longer than the maximum length specified in the IEEE 802.3 standard. It should be noted that zero length AHB buffers are allowed and that the maximum number of buffers permitted for each transmit frame is 128.

The start location for each transmit AHB buffer is stored in memory in a list of transmit buffer descriptors at a location pointed to by the transmit buffer queue pointer. The base address for this queue pointer is set in software using the Transmit Buffer Queue Base Address register. Each list entry consists of two words. The first is the byte address of the transmit buffer and the second containing the transmit control and status. For the packet buffer DMA, the start location for each AHB buffer is a byte address, the bottom bits of the address being used to offset the start of the data from the data-word boundary (i.e., bits 2,1 and 0 are used to offset the address for 64-bit datapaths).

For bus widths of 64 or 128-bits however, the address of the buffer must be aligned to the correct 64-bit or 128-bit boundary, plus an offset of less than 4 bytes. (Note this alignment restriction in FIFO-based DMA mode only should be sufficient for applications as the main purpose is to allow alignment of the encapsulated IP packet. Given the 14 bytes of MAC encapsulation, an offset of 2 will always align the IP header to a 128-bit boundary.)

Frames can be transmitted with or without automatic CRC generation. If CRC is automatically generated, pad will also be automatically generated to take frames to a minimum length of 64 bytes. When CRC is not automatically generated (as defined in word 1 of the transmit buffer descriptor), the frame is assumed to be at least 64 bytes long and pad is not generated.

An entry in the transmit buffer descriptor list is described in [Table 36-5](#).

To transmit frames, the buffer descriptors must be initialized by writing an appropriate byte address to bits [31:0] in the first word of each descriptor list entry.

The second word of the transmit buffer descriptor is initialized with control information that indicates the length of the frame, whether or not the MAC is to append CRC and whether the buffer is the last buffer in the frame.

After transmission the status bits are written back to the second word of the first buffer along with the used bit. Bit 31 is the used bit which must be zero when the control word is read if transmission is to take place. It is written to one once the frame has been transmitted. Bits[29:20] indicate various transmit error conditions. Bit 30 is the wrap bit which can be set for any buffer within a frame. If no wrap bit is encountered the queue pointer continues to increment.

SAMA5D3 SERIES

The Transmit Buffer Queue Base Address register can only be updated while transmission is disabled or halted; otherwise any attempted write will be ignored. When transmission is halted the transmit buffer queue pointer will maintain its value. Therefore when transmission is restarted the next descriptor read from the queue will be from immediately after the last successfully transmitted frame. While transmit is disabled (bit 3 of the Network Control register set low), the transmit buffer queue pointer resets to point to the address indicated by the Transmit Buffer Queue Base Address register. Note that disabling receive does not have the same effect on the receive buffer queue pointer.

Once the transmit queue is initialized, transmit is activated by writing to the transmit start bit (bit 9) of the Network Control register. Transmit is halted when a buffer descriptor with its used bit set is read, a transmit error occurs, or by writing to the transmit halt bit of the Network Control register. Transmission is suspended if a pause frame is received while the pause enable bit is set in the Network Configuration register. Rewriting the start bit while transmission is active is allowed. This is implemented with TXGO variable which is readable in the Transmit Status register at bit location 3. The TXGO variable is reset when:

- Transmit is disabled.
- A buffer descriptor with its ownership bit set is read.
- Bit 10, THALT, of the Network Control register is written.
- There is a transmit error such as too many retries, late collision (gigabit mode only) or a transmit underrun.

To set TXGO, write TSTART to the bit 9 of the Network Control register. Transmit halt does not take effect until any ongoing transmit finishes.

If the DMA is configured for packet buffer Partial Store and Forward mode and a collision occurs during transmission of a multi-buffer frame, transmission will automatically restart from the first buffer of the frame. For packet buffer mode, the entire contents of the frame are read into the transmit packet buffer memory, so the retry attempt will be replayed directly from the packet buffer memory rather than having to re-fetch through the AHB.

If a used bit is read midway through transmission of a multi-buffer frame, this is treated as a transmit error. Transmission stops, GTXER is asserted and the FCS will be bad.

If transmission stops due to a transmit error or a used bit being read, transmission restarts from the first buffer descriptor of the frame being transmitted when the transmit start bit is rewritten.

Table 36-5: Transmit Buffer Descriptor Entry

Bit	Function
Word 0	
31:0	Byte address of buffer
Word 1	
31	Used—must be zero for the GMAC to read data to the transmit buffer. The GMAC sets this to one for the first buffer of a frame once it has been successfully transmitted. Software must clear this bit before the buffer can be used again.
30	Wrap—marks last descriptor in transmit buffer descriptor list. This can be set for any buffer within the frame.
29	Retry limit exceeded, transmit error detected
28	Reserved.
27	Transmit frame corruption due to AHB error—set if an error occurs while midway through reading transmit frame from the AHB, including HRESP errors and buffers exhausted mid frame (if the buffers run out during transmission of a frame then transmission stops, FCS shall be bad and GTXER asserted). Also set if single frame is too large for configured packet buffer memory size.
26	Late collision, transmit error detected. Late collisions only force this status bit to be set in gigabit mode.
25:23	Reserved

Table 36-5: Transmit Buffer Descriptor Entry (Continued)

Bit	Function
22:20	Transmit IP/TCP/UDP checksum generation offload errors: 000: No Error. 001: The Packet was identified as a VLAN type, but the header was not fully complete, or had an error in it. 010: The Packet was identified as a SNAP type, but the header was not fully complete, or had an error in it. 011: The Packet was not of an IP type, or the IP packet was invalidly short, or the IP was not of type IPv4/IPv6. 100: The Packet was not identified as VLAN, SNAP or IP. 101: Non supported packet fragmentation occurred. For IPv4 packets, the IP checksum was generated and inserted. 110: Packet type detected was not TCP or UDP. TCP/UDP checksum was therefore not generated. For IPv4 packets, the IP checksum was generated and inserted. 111: A premature end of packet was detected and the TCP/UDP checksum could not be generated.
19:17	Reserved
16	No CRC to be appended by MAC. When set, this implies that the data in the buffers already contains a valid CRC, hence no CRC or padding is to be appended to the current frame by the MAC. This control bit must be set for the first buffer in a frame and will be ignored for the subsequent buffers of a frame. Note that this bit must be clear when using the transmit IP/TCP/UDP checksum generation offload, otherwise checksum generation and substitution will not occur.
15	Last buffer, when set this bit will indicate the last buffer in the current frame has been reached.
14	Reserved
13:0	Length of buffer

36.6.3.5 DMA Bursting on the AHB

The DMA will always use SINGLE, or INCR type AHB accesses for buffer management operations. When performing data transfers, the AHB burst length used can be programmed using bits 4:0 of the DMA Configuration register so that either SINGLE, INCR or fixed length incrementing bursts (INCR4, INCR8 or INCR16) are used where possible.

When there is enough space and enough data to be transferred, the programmed fixed length bursts will be used. If there is not enough data or space available, for example when at the beginning or the end of a buffer, SINGLE type accesses are used. Also SINGLE type accesses are used at 1024 byte boundaries, so that the 1 Kbyte boundaries are not burst over as per AHB requirements.

The DMA will not terminate a fixed length burst early, unless an error condition occurs on the AHB or if receive or transmit are disabled in the Network Control register.

36.6.3.6 DMA Packet Buffer

The DMA uses packet buffers for both transmit and receive paths. This mode allows multiple packets to be buffered in both transmit and receive directions. This allows the DMA to withstand far greater access latencies on the AHB and make more efficient use of the AHB bandwidth. There are two modes of operation—Full Store and Forward and Partial Store and Forward.

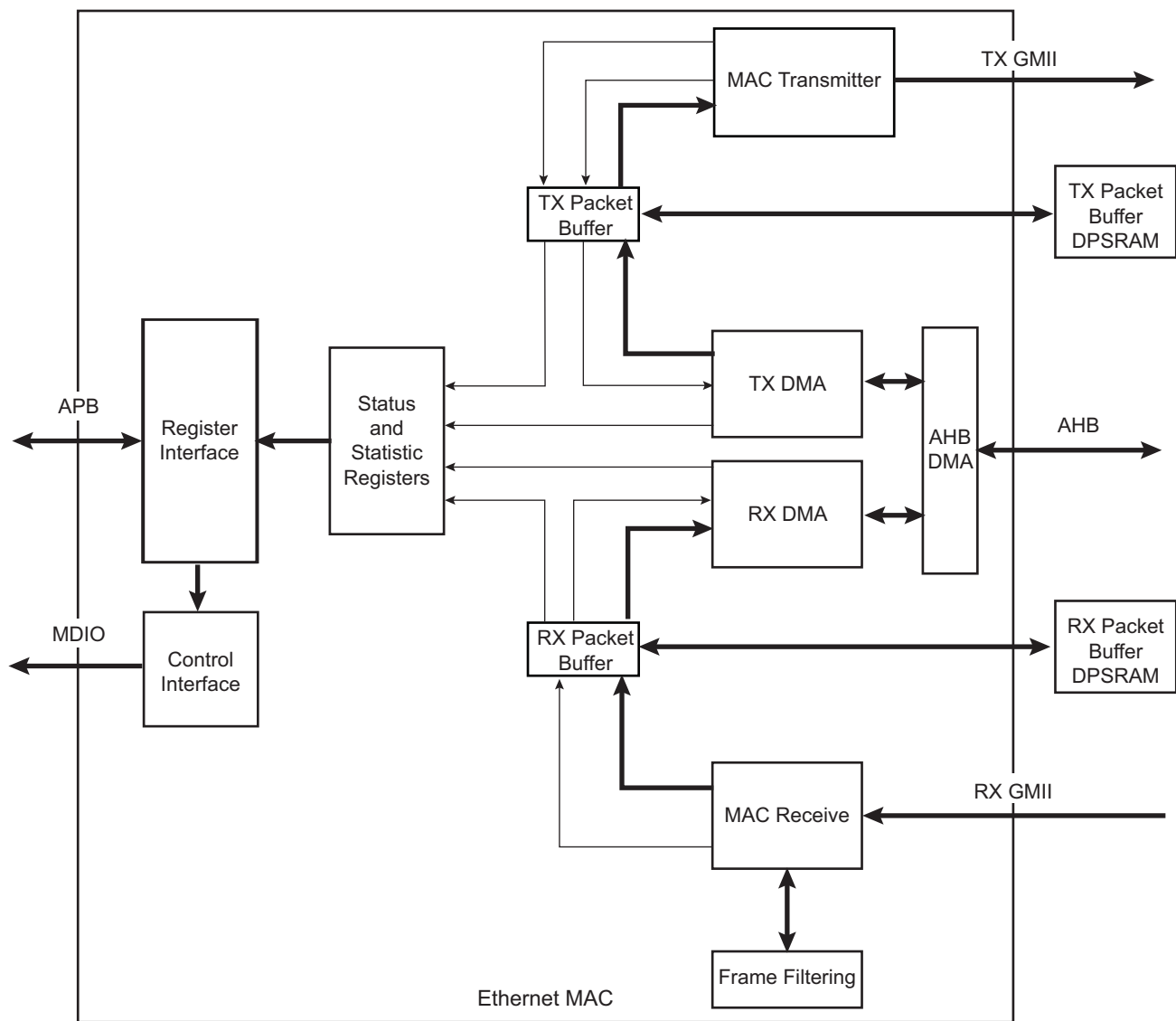
As described above ([Section 36.6.3.2 Partial Store and Forward Using Packet Buffer DMA](#)), the DMA can be programmed into a low latency mode, known as Partial Store and Forward. For further details of this mode, see [Section 36.6.3.2 Partial Store and Forward Using Packet Buffer DMA](#).

When the DMA is in full store and forward mode, full packets are buffered which provides the possibility to:

- Discard packets with error on the receive path before they are partially written out of the DMA, thus saving AHB bus bandwidth and driver processing overhead,
- Retry collided transmit frames from the buffer, thus saving AHB bus bandwidth,
- Implement transmit IP/TCP/UDP checksum generation offload.

With the packet buffers included, the structure of the GMAC data paths is shown in [Figure 36-2](#).

Figure 36-2: Data Paths with Packet Buffers Included



36.6.3.7 Transmit Packet Buffer

The transmitter packet buffer will continue attempting to fetch frame data from the AHB system memory until the packet buffer itself is full, at which point it will attempt to maintain its full level.

To accommodate the status and statistics associated with each frame, three words per packet (or two if the GMAC is configured in 64-bit datapath mode) are reserved at the end of the packet data. If the packet is bad and requires to be dropped, the status and statistics are the only information held on that packet. Storing the status in the DPRAM is required in order to decouple the DMA interface of the buffer from the MAC interface, to update the MAC status/statistics and to generate interrupts in the order in which the packets that they represent were fetched from the AHB memory.

If any errors occur on the AHB while reading the transmit frame, the fetching of packet data from AHB memory is halted. The MAC transmitter will continue to fetch packet data, thereby emptying the packet buffer and allowing any good non-errored frames to be transmitted successfully. Once these have been fully transmitted, the status/statistics for the errored frame will be updated and software will be informed via an interrupt that an AHB error occurred. This way, the error is reported in the correct packet order.

The transmit packet buffer will only attempt to read more frame data from the AHB when space is available in the packet buffer memory. If space is not available it must wait until a packet fetched by the MAC completes transmission and is subsequently removed from the packet buffer memory. Note that if full store and forward mode is active and if a single frame is fetched that is too large for the packet buffer

memory, the frame is flushed and the DMA halted with an error status. This is because a complete frame must be written into the packet buffer before transmission can begin, and therefore the minimum packet buffer memory size should be chosen to satisfy the maximum frame to be transmitted in the application.

In full store and forward mode, once the complete transmit frame is written into the packet buffer memory, a trigger is sent across to the MAC transmitter, which will then begin reading the frame from the packet buffer memory. Since the whole frame is present and stable in the packet buffer memory an underflow of the transmitter is not possible. The frame is kept in the packet buffer until notification is received from the MAC that the frame data has either been successfully transmitted or can no longer be retransmitted (too many retries in half duplex mode). When this notification is received the frame is flushed from memory to make room for a new frame to be fetched from AHB system memory.

In Partial Store and Forward mode, a trigger is sent across to the MAC transmitter as soon as sufficient packet data is available, which will then begin fetching the frame from the packet buffer memory. If, after this point, the MAC transmitter is able to fetch data from the packet buffer faster than the AHB DMA can fill it, an underflow of the transmitter is possible. In this case, the transmission is terminated early, and the packet buffer is completely flushed. Transmission can only be restarted by writing to the transmit START bit.

In half duplex mode, the frame is kept in the packet buffer until notification is received from the MAC that the frame data has either been successfully transmitted or can no longer be retransmitted (too many retries in half duplex mode). When this notification is received the frame is flushed from memory to make room for a new frame to be fetched from AHB system memory.

In full duplex mode, the frame is removed from the packet buffer on the fly.

Other than underflow, the only MAC related errors that can occur are due to collisions during half duplex transmissions. When a collision occurs the frame still exists in the packet buffer memory so can be retried directly from there. Only once the MAC transmitter has failed to transmit after sixteen attempts is the frame finally flushed from the packet buffer.

36.6.3.8 Receive Packet Buffer

The receive packet buffer stores frames from the MAC receiver along with their status and statistics. Frames with errors are flushed from the packet buffer memory, while good frames are pushed onto the DMA AHB interface.

The receiver packet buffer monitors the FIFO write interface from the MAC receiver and translates the FIFO pushes into packet buffer writes. At the end of the received frame the status and statistics are buffered so that the information can be used when the frame is read out. When programmed in full store and forward mode, if the frame has an error the frame data is immediately flushed from the packet buffer memory allowing subsequent frames to utilise the freed up space. The status and statistics for bad frames are still used to update the GMAC registers.

To accommodate the status and statistics associated with each frame, three words per packet (or two if configured in 64-bit datapath mode) are reserved at the end of the packet data. If the packet is bad and requires to be dropped, the status and statistics are the only information held on that packet.

The receiver packet buffer will also detect a full condition so that an overflow condition can be detected. If this occurs, subsequent packets are dropped and an RX overflow interrupt is raised.

For full store and forward, the DMA only begins packet fetches once the status and statistics for a frame are available. If the frame has a bad status due to a frame error, the status and statistics are passed on to the GMAC registers. If the frame has a good status, the information is used to read the frame from the packet buffer memory and burst onto the AHB using the DMA buffer management protocol. Once the last frame data has been transferred to the packet buffer, the status and statistics are updated to the GMAC registers.

If Partial Store and Forward mode is active, the DMA will begin fetching the packet data before the status is available. As soon as the status becomes available, the DMA will fetch this information as soon as possible before continuing to fetch the remainder of the frame. Once the last frame data has been transferred to the packet buffer, the status and statistics are updated to the GMAC registers.

36.6.4 MAC Transmit Block

The MAC transmitter can operate in either half duplex or full duplex mode and transmits frames in accordance with the Ethernet IEEE 802.3 standard. In half duplex mode, the CSMA/CD protocol of the IEEE 802.3 specification is followed.

A small input buffer receives data through the FIFO interface which, depending on the DMA bus width control bits in the Network Configuration register, will extract data in 32-bit or 64-bit form. All subsequent processing prior to the final output is performed in bytes.

Transmit data can be output using the GMII/MII interface.

Frame assembly starts by adding preamble and the start frame delimiter. Data is taken from the transmit FIFO interface a word at a time. When the GMAC is configured for gigabit operation, the data output to the PHY uses all eight bits of the txd[7:0] output. In 10/100 mode, transmit data to the PHY is nibble wide and least significant nibble first using txd[3:0] with txd[7:4] tied to logic 0.

If necessary, padding is added to take the frame length to 60 bytes. CRC is calculated using an order 32-bit polynomial. This is inverted and appended to the end of the frame taking the frame length to a minimum of 64 bytes. If the no CRC bit is set in the second word of the last buffer descriptor of a transmit frame, neither pad nor CRC are appended. The no CRC bit can also be set through the FIFO interface.

SAMA5D3 SERIES

In full duplex mode (at all data rates), frames are transmitted immediately. Back to back frames are transmitted at least 96 bit times apart to ensure the interframe gap.

In half duplex mode, the transmitter checks carrier sense. If asserted, the transmitter waits for the signal to become inactive, and then starts transmission after the interframe gap of 96 bit times. If the collision signal is asserted during transmission, the transmitter will transmit a jam sequence of 32 bits taken from the data register and then retry transmission after the back off time has elapsed. If the collision occurs during either the preamble or Start Frame Delimiter (SFD), then these fields will be completed prior to generation of the jam sequence.

The back off time is based on an XOR of the 10 least significant bits of the data coming from the transmit FIFO interface and a 10-bit pseudo random number generator. The number of bits used depends on the number of collisions seen. After the first collision 1 bit is used, then the second 2 bits and so on up to the maximum of 10 bits. All 10 bits are used above ten collisions. An error will be indicated and no further attempts will be made if 16 consecutive attempts cause collision. This operation is compliant with the description in Clause 4.2.3.2.5 of the IEEE 802.3 standard which refers to the truncated binary exponential back off algorithm.

In 10/100 mode, both collisions and late collisions are treated identically, and back off and retry will be performed up to 16 times. When operating in gigabit mode, late collisions are treated as an exception and transmission is aborted, without retry. This condition is reported in the transmit buffer descriptor word 1 (late collision, bit 26) and also in the Transmit Status register (late collision, bit 7). An interrupt can also be generated (if enabled) when this exception occurs, and bit 5 in the Interrupt Status register will be set.

When operating in gigabit mode (half duplex) both carrier extension and frame bursting are performed in accordance with the IEEE 802.3 standard. For frames less than 512 bytes carrier extension is used to ensure the minimum slot time is not violated.

Frame bursting is used by the transmitter in gigabit mode (half duplex) when more than one frame is queued for transmission. The first frame of a burst must be carrier extended (if necessary) to ensure the minimum slot time of 512 bytes is achieved, after which all subsequent frames within the burst must only satisfy the minimum frame length of 64 bytes or greater. Each interframe gap within the burst is filled by the transmitter with carrier extensions, thus ensuring control of the medium is not given up. Several frames may be transmitted up to the burst limit of 65,536 bytes. The transmitter relinquishes control of the medium when there are no more frames queued for transmission or the burst limit is exceeded.

In gigabit mode any collisions occurring after the minimum slot time for the first frame within a burst are treated as a late collision. The burst is terminated upon this event.

In all modes of operation, if the transmit DMA underruns, a bad CRC is automatically appended using the same mechanism as jam insertion and the GTXER signal is asserted. For a properly configured system this should never happen and also it is impossible if configured to use the DMA with packet buffers, as the complete frame is buffered in local packet buffer memory.

By setting when bit 28 is set in the Network Configuration register, the Inter Packet Gap (IPG) may be stretched beyond 96 bits depending on the length of the previously transmitted frame and the value written to the IPG Stretch register (GMAC_IPGS). The least significant 8 bits of the IPG Stretch register multiply the previous frame length (including preamble). The next significant 8 bits (+1 so as not to get a divide by zero) divide the frame length to generate the IPG. IPG stretch only works in full duplex mode and when bit 28 is set in the Network Configuration register. The IPG Stretch register cannot be used to shrink the IPG below 96 bits.

If the back pressure bit is set in the Network Control register, or if the HDFC configuration bit is set in the GMAC_UR register (10M or 100M half duplex mode), the transmit block transmits 64 bits of data, which can consist of 16 nibbles of 1011 or in bit rate mode 64 1s, whenever it sees an incoming frame to force a collision. This provides a way of implementing flow control in half duplex mode. Note that this feature is not available in gigabit half duplex mode.

36.6.5 MAC Receive Block

All processing within the MAC receive block is implemented using a 16-bit data path. The MAC receive block checks for valid preamble, FCS, alignment and length, presents received frames to the FIFO interface and stores the frame destination address for use by the address checking block.

If, during the frame reception, the frame is found to be too long, a bad frame indication is sent to the FIFO interface. The receiver logic ceases to send data to memory as soon as this condition occurs.

At end of frame reception the receive block indicates to the DMA block whether the frame is good or bad. The DMA block will recover the current receive buffer if the frame was bad.

Ethernet frames are normally stored in DMA memory complete with the FCS. Setting the FCS remove bit in the network configuration (bit 17) causes frames to be stored without their corresponding FCS. The reported frame length field is reduced by four bytes to reflect this operation.

The receive block signals to the register block to increment the alignment, CRC (FCS), short frame, long frame, jabber or receive symbol errors when any of these exception conditions occur.

If bit 26 is set in the network configuration, CRC errors will be ignored and CRC errored frames will not be discarded, though the Frame Check Sequence Errors statistic register will still be incremented. Additionally, if not enabled for jumbo frames mode, then bit[13] of the receiver descriptor word 1 will be updated to indicate the FCS validity for the particular frame. This is useful for applications such as EtherCAT whereby individual frames with FCS errors must be identified.

Received frames can be checked for length field error by setting the length field error frame discard bit of the Network Configuration register (bit-16). When this bit is set, the receiver compares a frame's measured length with the length field (bytes 13 and 14) extracted from the frame. The frame is discarded if the measured length is shorter. This checking procedure is for received frames between 64 bytes and 1518 bytes in length.

Each discarded frame is counted in the 10-bit length field error statistics register. Frames where the length field is greater than or equal to 0x0600 hex will not be checked.

When operating in gigabit mode (half duplex), the receiver will discard frames which do not meet the minimal slot time of 512 bytes. If a burst is detected, the first frame is checked to ensure it meets the slot time, but all subsequent frames of the burst are checked to ensure they meet the minimum frame size of 64 bytes.

In gigabit mode (half duplex), carrier extension errors are detected by the receiver during the minimum slot time, and the frame discarded. An error of this nature causes the receive symbol errors statistic register to be incremented. Carrier extension errors occurring during the inter packet gap period are ignored and have no effect on the statistics.

36.6.6 Checksum Offload for IP, TCP and UDP

The GMAC can be programmed to perform IP, TCP and UDP checksum offloading in both receive and transmit directions, which is enabled by setting bit 24 in the Network Configuration register for receive and bit 11 in the DMA Configuration register for transmit.

IPv4 packets contain a 16-bit checksum field, which is the 16-bit 1's complement of the 1's complement sum of all 16-bit words in the header. TCP and UDP packets contain a 16-bit checksum field, which is the 16-bit 1's complement of the 1's complement sum of all 16-bit words in the header, the data and a conceptual IP pseudo header.

To calculate these checksums in software requires each byte of the packet to be processed. For TCP and UDP this can use a large amount of processing power. Offloading the checksum calculation to hardware can result in significant performance improvements.

For IP, TCP or UDP checksum offload to be useful, the operating system containing the protocol stack must be aware that this offload is available so that it can make use of the fact that the hardware can either generate or verify the checksum.

36.6.6.1 Receiver Checksum Offload

When receive checksum offloading is enabled in the GMAC, the IPv4 header checksum is checked as per RFC 791, where the packet meets the following criteria:

- If present, the VLAN header must be four octets long and the CFI bit must not be set.
- Encapsulation must be RFC 894 Ethernet Type Encoding or RFC 1042 SNAP Encoding.
- IPv4 packet
- IP header is of a valid length

The GMAC also checks the TCP checksum as per RFC 793, or the UDP checksum as per RFC 768, if the following criteria are met:

- IPv4 or IPv6 packet
- Good IP header checksum (if IPv4)
- No IP fragmentation
- TCP or UDP packet

When an IP, TCP or UDP frame is received, the receive buffer descriptor gives an indication if the GMAC was able to verify the checksums. There is also an indication if the frame had SNAP encapsulation. These indication bits will replace the type ID match indication bits when the receive checksum offload is enabled. For details of these indication bits refer to [Table 36-4 Receive Buffer Descriptor Entry](#).

If any of the checksums are verified as incorrect by the GMAC, the packet is discarded and the appropriate statistics counter incremented.

36.6.6.2 Transmitter Checksum Offload

The transmitter checksum offload is only available if the full store and forward mode is enabled. This is because the complete frame to be transmitted must be read into the packet buffer memory before the checksum can be calculated and written back into the headers at the beginning of the frame.

Transmitter checksum offload is enabled by setting bit [11] in the DMA Configuration register. When enabled, it will monitor the frame as it is written into the transmitter packet buffer memory to automatically detect the protocol of the frame. Protocol support is identical to the receiver checksum offload.

SAMA5D3 SERIES

For transmit checksum generation and substitution to occur, the protocol of the frame must be recognized and the frame must be provided without the FCS field, by making sure that bit [16] of the transmit descriptor word 1 is clear. If the frame data already had the FCS field, this would be corrupted by the substitution of the new checksum fields.

If these conditions are met, the transmit checksum offload engine will calculate the IP, TCP and UDP checksums as appropriate. Once the full packet is completely written into packet buffer memory, the checksums will be valid and the relevant DPRAM locations will be updated for the new checksum fields as per standard IP/TCP and UDP packet structures.

If the transmitter checksum engine is prevented from generating the relevant checksums, bits [22:20] of the transmitter DMA writeback status will be updated to identify the reason for the error. Note that the frame will still be transmitted but without the checksum substitution, as typically the reason that the substitution did not occur was that the protocol was not recognized.

36.6.7 MAC Filtering Block

The filter block determines which frames should be written to the FIFO interface and on to the DMA.

Whether a frame is passed depends on what is enabled in the Network Configuration register, the state of the external matching pins, the contents of the specific address, type and Hash registers and the frame's destination address and type field.

If bit 25 of the Network Configuration register is not set, a frame will not be copied to memory if the GMAC is transmitting in half duplex mode at the time a destination address is received.

Ethernet frames are transmitted a byte at a time, least significant bit first. The first six bytes (48 bits) of an Ethernet frame make up the destination address. The first bit of the destination address, which is the LSB of the first byte of the frame, is the group or individual bit. This is one for multicast addresses and zero for unicast. The all ones address is the broadcast address and a special case of multicast.

The GMAC supports recognition of four specific addresses. Each specific address requires two registers, Specific Address register Bottom and Specific Address register Top. Specific Address register Bottom stores the first four bytes of the destination address and Specific Address register Top contains the last two bytes. The addresses stored can be specific, group, local or universal.

The destination address of received frames is compared against the data stored in the Specific Address registers once they have been activated. The addresses are deactivated at reset or when their corresponding Specific Address register Bottom is written. They are activated when Specific Address register Top is written. If a receive frame address matches an active address, the frame is written to the FIFO interface and on to DMA memory.

Frames may be filtered using the type ID field for matching. Four type ID registers exist in the register address space and each can be enabled for matching by writing a one to the MSB (bit 31) of the respective register. When a frame is received, the matching is implemented as an OR function of the various types of match.

The contents of each type ID register (when enabled) are compared against the length/type ID of the frame being received (e.g., bytes 13 and 14 in non-VLAN and non-SNAP encapsulated frames) and copied to memory if a match is found. The encoded type ID match bits (Word 0, Bit 22 and Bit 23) in the receive buffer descriptor status are set indicating which type ID register generated the match, if the receive checksum offload is disabled.

The reset state of the type ID registers is zero, hence each is initially disabled.

The following example illustrates the use of the address and type ID match registers for a MAC address of 21:43:65:87:A9:CB:

Preamble	55
SFD	D5
DA (Octet 0 - LSB)	21
DA (Octet 1)	43
DA (Octet 2)	65
DA (Octet 3)	87
DA (Octet 4)	A9
DA (Octet 5 - MSB)	CB
SA (LSB)	00 ⁽¹⁾)
SA	00 ⁽¹⁾)

SA	00 ⁽¹⁾)
SA	00 ⁽¹⁾)
SA	00 ⁽¹⁾)
SA (MSB)	00 ⁽¹⁾)
Type ID (MSB)	43
Type ID (LSB)	21

Note 1: Contains the address of the transmitting device

The sequence above shows the beginning of an Ethernet frame. Byte order of transmission is from top to bottom as shown. For a successful match to specific address 1, the following address matching registers must be set up:

Specific Address 1 Bottom register (GMAC_SAB1) (Address 0x088) 0x87654321

Specific Address 1 Top register (GMAC_SAT1) (Address 0x08C) 0x0000CBA9

For a successful match to the type ID, the following Type ID Match 1 register must be set up:

Type ID Match 1 register (GMAC_TIDM1) (Address 0x0A8) 0x80004321

36.6.8 Broadcast Address

Frames with the broadcast address of 0xFFFFFFFF are stored to memory only if the 'no broadcast' bit in the Network Configuration register is set to zero.

36.6.9 Hash Addressing

The hash address register is 64 bits long and takes up two locations in the memory map. The least significant bits are stored in Hash Register Bottom and the most significant bits in Hash Register Top.

The unicast hash enable and the multicast hash enable bits in the Network Configuration register enable the reception of hash matched frames. The destination address is reduced to a 6-bit index into the 64-bit Hash register using the following hash function: The hash function is an XOR of every sixth bit of the destination address.

```

hash_index[05] = da[05] ^ da[11] ^ da[17] ^ da[23] ^ da[29] ^ da[35] ^ da[41] ^ da[47]
hash_index[04] = da[04] ^ da[10] ^ da[16] ^ da[22] ^ da[28] ^ da[34] ^ da[40] ^ da[46]
hash_index[03] = da[03] ^ da[09] ^ da[15] ^ da[21] ^ da[27] ^ da[33] ^ da[39] ^ da[45]
hash_index[02] = da[02] ^ da[08] ^ da[14] ^ da[20] ^ da[26] ^ da[32] ^ da[38] ^ da[44]
hash_index[01] = da[01] ^ da[07] ^ da[13] ^ da[19] ^ da[25] ^ da[31] ^ da[37] ^ da[43]
hash_index[00] = da[00] ^ da[06] ^ da[12] ^ da[18] ^ da[24] ^ da[30] ^ da[36] ^ da[42]

```

da[0]

represents the least significant bit of the first byte received, that is, the multicast/unicast indicator, and **da[47]** represents the most significant bit of the last byte received.

If the hash index points to a bit that is set in the Hash register then the frame will be matched according to whether the frame is multicast or unicast.

A multicast match will be signalled if the multicast hash enable bit is set, **da[0]** is logic 1 and the hash index points to a bit set in the Hash register.

A unicast match will be signalled if the unicast hash enable bit is set, **da[0]** is logic 0 and the hash index points to a bit set in the Hash register.

To receive all multicast frames, the Hash register should be set with all ones and the multicast hash enable bit should be set in the Network Configuration register.

36.6.10 Copy all Frames (Promiscuous Mode)

If the Copy All Frames bit is set in the Network Configuration register then all frames (except those that are too long, too short, have FCS errors or have GRXER asserted during reception) will be copied to memory. Frames with FCS errors will be copied if bit 26 is set in the Network Configuration register.

SAMA5D3 SERIES

36.6.11 Disable Copy of Pause Frames

Pause frames can be prevented from being written to memory by setting the disable copying of pause frames control bit 23 in the Network Configuration register. When set, pause frames are not copied to memory regardless of the Copy All Frames bit, whether a hash match is found, a type ID match is identified or if a destination address match is found.

36.6.12 VLAN Support

The following table describes an Ethernet encoded 802.1Q VLAN tag.

Table 36-6: 802.1Q VLAN Tag

TPID (Tag Protocol Identifier) 16 bits	TCI (Tag Control Information) 16 bits
0x8100	First 3 bits priority, then CFI bit, last 12 bits VID

The VLAN tag is inserted at the 13th byte of the frame adding an extra four bytes to the frame. To support these extra four bytes, the GMAC can accept frame lengths up to 1536 bytes by setting bit 8 in the Network Configuration register.

If the VID (VLAN identifier) is null (0x000) this indicates a priority-tagged frame.

The following bits in the receive buffer descriptor status word give information about VLAN tagged frames:-

- Bit 21 set if receive frame is VLAN tagged (i.e., type ID of 0x8100).
- Bit 20 set if receive frame is priority tagged (i.e., type ID of 0x8100 and null VID). (If bit 20 is set, bit 21 will be set also.)
- Bit 19, 18 and 17 set to priority if bit 21 is set.
- Bit 16 set to CFI if bit 21 is set.

The GMAC can be configured to reject all frames except VLAN tagged frames by setting the discard non-VLAN frames bit in the Network Configuration register.

36.6.13 Wake on LAN Support

The receive block supports Wake on LAN by detecting the following events on incoming receive frames:

- Magic packet
- Address Resolution Protocol (ARP) request to the device IP address
- Specific address 1 filter match
- Multicast hash filter match

These events can be individually enabled through bits [19:16] of the Wake on LAN register. Also, for Wake on LAN detection to occur, receive enable must be set in the Network Control register, however a receive buffer does not have to be available.

In case of an ARP request, specific address 1 or multicast filter events will occur even if the frame is errored. For magic packet events, the frame must be correctly formed and error free.

A magic packet event is detected if all of the following are true:

- Magic packet events are enabled through bit 16 of the Wake on LAN register
- The frame's destination address matches specific address 1
- The frame is correctly formed with no errors
- The frame contains at least 6 bytes of 0xFF for synchronization
- There are 16 repetitions of the contents of Specific Address 1 register immediately following the synchronization

An ARP request event is detected if all of the following are true:

- ARP request events are enabled through bit 17 of the Wake on LAN register
- Broadcasts are allowed by bit 5 in the Network Configuration register
- The frame has a broadcast destination address (bytes 1 to 6)
- The frame has a type ID field of 0x0806 (bytes 13 and 14)
- The frame has an ARP operation field of 0x0001 (bytes 21 and 22)
- The least significant 16 bits of the frame's ARP target protocol address (bytes 41 and 42) match the value programmed in bits[15:0] of the Wake on LAN register

The decoding of the ARP fields adjusts automatically if a VLAN tag is detected within the frame. The reserved value of 0x0000 for the Wake on LAN target address value will not cause an ARP request event, even if matched by the frame.

A specific address 1 filter match event will occur if all of the following are true:

- Specific address 1 events are enabled through bit 18 of the Wake on LAN register

- The frame's destination address matches the value programmed in the Specific Address 1 registers

A multicast filter match event will occur if all of the following are true:

- Multicast hash events are enabled through bit 19 of the Wake on LAN register
- Multicast hash filtering is enabled through bit 6 of the Network Configuration register
- The frame destination address matches against the multicast hash filter
- The frame destination address is not a broadcast

36.6.14 IEEE 1588 Support

IEEE 1588 is a standard for precision time synchronization in local area networks. It works with the exchange of special Precision Time Protocol (PTP) frames. The PTP messages can be transported over IEEE 802.3/Ethernet, over Internet Protocol Version 4 or over Internet Protocol Version 6 as described in the annex of IEEE P1588.D2.1.

The GMAC indicates the message time-stamp point (asserted on the start packet delimiter and de-asserted at end of frame) for all frames and the passage of PTP event frames (asserted when a PTP event frame is detected and de-asserted at end of frame).

IEEE 802.1AS is a subset of IEEE 1588. One difference is that IEEE 802.1AS uses the Ethernet multicast address 0180C200000E for sync frame recognition whereas IEEE 1588 does not. GMAC is designed to recognize sync frames with both IEEE 802.1AS and IEEE 1588 addresses and so can support both 1588 and 802.1AS frame recognition simultaneously.

Synchronization between master and slave clocks is a two stage process.

First, the offset between the master and slave clocks is corrected by the master sending a sync frame to the slave with a follow up frame containing the exact time the sync frame was sent. Hardware assist modules at the master and slave side detect exactly when the sync frame was sent by the master and received by the slave. The slave then corrects its clock to match the master clock.

Second, the transmission delay between the master and slave is corrected. The slave sends a delay request frame to the master which sends a delay response frame in reply. Hardware assist modules at the master and slave side detect exactly when the delay request frame was sent by the slave and received by the master. The slave will now have enough information to adjust its clock to account for delay. For example, if the slave was assuming zero delay, the actual delay will be half the difference between the transmit and receive time of the delay request frame (assuming equal transmit and receive times) because the slave clock will be lagging the master clock by the delay time already.

The time-stamp is taken when the message time-stamp point passes the clock time-stamp point. This can generate an interrupt if enabled (GMAC_IER). However, MAC Filtering configuration is needed to actually 'copy' the message to memory. For Ethernet, the message time-stamp point is the SFD and the clock time-stamp point is the MII interface. (The IEEE 1588 specification refers to sync and delay_req messages as event messages as these require time-stamping. These events are captured in the registers GMAC_EFTx and GMAC_EFRx, respectively. Follow up, delay response and management messages do not require time-stamping and are referred to as general messages.)

1588 version 2 defines two additional PTP event messages. These are the peer delay request (Pdelay_Req) and peer delay response (Pdelay_Resp) messages. These events are captured in the registers GMAC_PEFTx and GMAC_PEFRx, respectively. These messages are used to calculate the delay on a link. Nodes at both ends of a link send both types of frames (regardless of whether they contain a master or slave clock). The Pdelay_Resp message contains the time at which a Pdelay_Req was received and is itself an event message. The time at which a Pdelay_Resp message is received is returned in a Pdelay_Resp_Follow_Up message.

1588 version 2 introduces transparent clocks of which there are two kinds, peer-to-peer (P2P) and end-to-end (E2E). Transparent clocks measure the transit time of event messages through a bridge and amend a correction field within the message to allow for the transit time. P2P transparent clocks additionally correct for the delay in the receive path of the link using the information gathered from the peer delay frames. With P2P transparent clocks delay_req messages are not used to measure link delay. This simplifies the protocol and makes larger systems more stable.

The GMAC recognizes four different encapsulations for PTP event messages:

1. 1588 version 1 (UDP/IPv4 multicast)
2. 1588 version 2 (UDP/IPv4 multicast)
3. 1588 version 2 (UDP/IPv6 multicast)
4. 1588 version 2 (Ethernet multicast)

Table 36-7: Example of Sync Frame in 1588 Version 1 Format

Frame Segment	Value
Preamble/SFD	55555555555555D5

SAMA5D3 SERIES

Table 36-7: Example of Sync Frame in 1588 Version 1 Format (Continued)

Frame Segment	Value
DA (Octets 0–5)	—
SA (Octets 6–11)	—
Type (Octets 12–13)	0800
IP stuff (Octets 14–22)	—
UDP (Octet 23)	11
IP stuff (Octets 24–29)	—
IP DA (Octets 30–32)	E00001
IP DA (Octet 33)	81 or 82 or 83 or 84
Source IP port (Octets 34–35)	—
Dest IP port (Octets 36–37)	013F
Other stuff (Octets 38–42)	—
Version PTP (Octet 43)	01
Other stuff (Octets 44–73)	—
Control (Octet 74)	00
Other stuff (Octets 75–168)	—

Table 36-8: Example of Delay Request Frame in 1588 Version 1 Format

Frame Segment	Value
Preamble/SFD	5555555555555555D5
DA (Octets 0–5)	—
SA (Octets 6–11)	—
Type (Octets 12–13)	0800
IP stuff (Octets 14–22)	—
UDP (Octet 23)	11
IP stuff (Octets 24–29)	—
IP DA (Octets 30–32)	E00001
IP DA (Octet 33)	81 or 82 or 83 or 84
Source IP port (Octets 34–35)	—
Dest IP port (Octets 36–37)	013F
Other stuff (Octets 38–42)	—
Version PTP (Octet 43)	01
Other stuff (Octets 44–73)	—
Control (Octet 74)	01
Other stuff (Octets 75–168)	—

For 1588 version 1 messages, sync and delay request frames are indicated by the GMAC if the frame type field indicates TCP/IP, UDP protocol is indicated, the destination IP address is 224.0.1.129/130/131 or 132, the destination UDP port is 319 and the control field is correct.

The control field is 0x00 for sync frames and 0x01 for delay request frames.

For 1588 version 2 messages, the type of frame is determined by looking at the message type field in the first byte of the PTP frame. Whether a frame is version 1 or version 2 can be determined by looking at the version PTP field in the second byte of both version 1 and version 2 PTP frames.

In version 2 messages sync frames have a message type value of 0x0, delay_req have 0x1, Pdelay_Req have 0x2 and Pdelay_Resp have 0x3.

Table 36-9: Example of Sync Frame in 1588 Version 2 (UDP/IPv4) Format

Frame Segment	Value
Preamble/SFD	55555555555555D5
DA (Octets 0–5)	—
SA (Octets 6–11)	—
Type (Octets 12–13)	0800
IP stuff (Octets 14–22)	—
UDP (Octet 23)	11
IP stuff (Octets 24–29)	—
IP DA (Octets 30–33)	E0000181
Source IP port (Octets 34–35)	—
Dest IP port (Octets 36–37)	013F
Other stuff (Octets 38–41)	—
Message type (Octet 42)	00
Version PTP (Octet 43)	02

Table 36-10: Example of Pdelay_Req Frame in 1588 Version 2 (UDP/IPv4) Format

Frame Segment	Value
Preamble/SFD	55555555555555D5
DA (Octets 0–5)	—
SA (Octets 6–11)	—
Type (Octets 12–13)	0800
IP stuff (Octets 14–22)	—
UDP (Octet 23)	11
IP stuff (Octets 24–29)	—
IP DA (Octets 30–33)	E000006B
Source IP port (Octets 34–35)	—
Dest IP port (Octets 36–37)	013F
Other stuff (Octets 38–41)	—
Message type (Octet 42)	02

SAMA5D3 SERIES

Table 36-10: Example of Pdelay_Req Frame in 1588 Version 2 (UDP/IPv4) Format (Continued)

Frame Segment	Value
Version PTP (Octet 43)	02

Table 36-11: Example of Sync Frame in 1588 Version 2 (UDP/IPv6) Format

Frame Segment	Value
Preamble/SFD	55555555555555D5
DA (Octets 0–5)	—
SA (Octets 6–11)	—
Type (Octets 12–13)	86dd
IP stuff (Octets 14–19)	—
UDP (Octet 20)	11
IP stuff (Octets 21–37)	—
IP DA (Octets 38–53)	FF0X00000000018
Source IP port (Octets 54–55)	—
Dest IP port (Octets 56–57)	013F
Other stuff (Octets 58–61)	—
Message type (Octet 62)	00
Other stuff (Octets 63–93)	—
Version PTP (Octet 94)	02

Table 36-12: Example of Pdelay_Resp Frame in 1588 Version 2 (UDP/IPv6) Format

Frame Segment	Value
Preamble/SFD	55555555555555D5
DA (Octets 0–5)	—
SA (Octets 6–11)	—
Type (Octets 12–13)	86dd
IP stuff (Octets 14–19)	—
UDP (Octet 20)	11
IP stuff (Octets 21–37)	—
IP DA (Octets 38–53)	FF0200000000006B
Source IP port (Octets 54–55)	—
Dest IP port (Octets 56–57)	013F
Other stuff (Octets 58–61)	—
Message type (Octet 62)	03
Other stuff (Octets 63–93)	—
Version PTP (Octet 94)	02

For the multicast address 011B19000000 sync and delay request frames are recognized depending on the message type field, 00 for sync and 01 for delay request.

Table 36-13: Example of Sync Frame in 1588 Version 2 (Ethernet Multicast) Format

Frame Segment	Value
Preamble/SFD	55555555555555D5
DA (Octets 0–5)	011B19000000
SA (Octets 6–11)	—
Type (Octets 12–13)	88F7
Message type (Octet 14)	00
Version PTP (Octet 15)	02

Pdelay request frames need a special multicast address so they can pass through ports blocked by the spanning tree protocol. For the multicast address 0180C200000E sync, Pdelay_Req and Pdelay_Resp frames are recognized depending on the message type field, 00 for sync, 02 for pdelay request and 03 for pdelay response.

Table 36-14: Example of Pdelay_Req Frame in 1588 Version 2 (Ethernet Multicast) Format

Frame Segment	Value
Preamble/SFD	55555555555555D5
DA (Octets 0–5)	0180C200000E
SA (Octets 6–11)	—
Type (Octets 12–13)	88F7
Message type (Octet 14)	00
Version PTP (Octet 15)	02

36.6.15 Timestamp Unit

The TSU consists of a timer and registers to capture the time at which PTP event frames cross the message timestamp point. An interrupt is issued when a capture register is updated.

The timer is implemented as a 94-bit register with the upper 48 bits counting seconds, the next 30 bits counting nanoseconds and the lowest 16 bits counting sub-nanoseconds. The lower 46 bits rolls over when they have counted to one second. An interrupt is generated when the seconds increment. The timer value can be read, written and adjusted through the APB interface. The timer is clocked by MCK.

The amount by which the timer increments each clock cycle is controlled by the timer increment registers (GMAC_TI). Bits 7:0 are the default increment value in nanoseconds and an additional 16 bits of sub-nanosecond resolution are available using the Timer Increment Sub-nanoseconds register (GMAC_TISUBN). If the rest of the register is written with zero, the timer increments by the value in [7:0], plus the value of GMAC_TISUBN, each clock cycle.

The GMAC_TISUBN register allows a resolution of approximately 15 femtoseconds.

Bits 15:8 of the increment register are the alternative increment value in nanoseconds and bits 23:16 are the number of increments after which the alternative increment value is used. If 23:16 are zero then the alternative increment value will never be used.

Taking the example of 10.2 MHz, there are 102 cycles every ten microseconds or 51 every five microseconds. So a timer with a 10.2 MHz clock source is constructed by incrementing by 98 ns for fifty cycles and then incrementing by 100 ns ($98 \times 50 + 100 = 5000$). This is programmed by setting the 1588 Timer Increment register to 0x00326462.

For a 49.8 MHz clock source it would be 20 ns for 248 cycles followed by an increment of 40 ns ($20 \times 248 + 40 = 5000$) programmed as 0x00F82814.

Having eight bits for the “number of increments” field allows frequencies up to 50 MHz to be supported with 200 kHz resolution.

Without the alternative increment field the period of the clock would be limited to an integer number of nanoseconds, resulting in supported clock frequencies of 8, 10, 20, 25, 40, 50, 100, 125, 200 and 250 MHz.

SAMA5D3 SERIES

There are eight additional 80-bit registers that capture the time at which PTP event frames are transmitted and received. An interrupt is issued when these registers are updated. The TSU timer count value can be compared to a programmable comparison value. For the comparison, the 48 bits of the seconds value and the upper 22 bits of the nanoseconds value are used. An interrupt can also be generated (if enabled) when the TSU timer count value and comparison value are equal, mapped to bit 29 of the interrupt status register.

36.6.16 MAC 802.3 Pause Frame Support

Note: See Clause 31, and Annex 31A and 31B of the IEEE standard 802.3 for a full description of MAC 802.3 pause operation.

The following table shows the start of a MAC 802.3 pause frame.

Table 36-15: Start of an 802.3 Pause Frame

Address		Type (MAC Control Frame)	Pause	
Destination	Source		Opcode	Time
0x0180C2000001	6 bytes	0x8808	0x0001	2 bytes

The GMAC supports both hardware controlled pause of the transmitter, upon reception of a pause frame, and hardware generated pause frame transmission.

36.6.16.1 802.3 Pause Frame Reception

Bit 13 of the Network Configuration register is the pause enable control for reception. If this bit is set, transmission will pause if a non zero pause quantum frame is received.

If a valid pause frame is received then the Pause Time register is updated with the new frame's pause time, regardless of whether a previous pause frame is active or not. An interrupt (either bit 12 or bit 13 of the Interrupt Status register) is triggered when a pause frame is received, but only if the interrupt has been enabled (bit 12 and bit 13 of the Interrupt Mask register). Pause frames received with non zero quantum are indicated through the interrupt bit 12 of the Interrupt Status register. Pause frames received with zero quantum are indicated on bit 13 of the Interrupt Status register.

Once the Pause Time register is loaded and the frame currently being transmitted has been sent, no new frames are transmitted until the pause time reaches zero. The loading of a new pause time, and hence the pausing of transmission, only occurs when the GMAC is configured for full duplex operation. If the GMAC is configured for half duplex there will be no transmission pause, but the pause frame received interrupt will still be triggered. A valid pause frame is defined as having a destination address that matches either the address stored in Specific Address register 1 or if it matches the reserved address of 0x0180C2000001. It must also have the MAC control frame type ID of 0x8808 and have the pause opcode of 0x0001.

Pause frames that have frame check sequence (FCS) or other errors will be treated as invalid and will be discarded. 802.3 Pause frames that are received after Priority-based Flow Control (PFC) has been negotiated will also be discarded. Valid pause frames received will increment the pause frames received statistic register.

The pause time register decrements every 512 bit times once transmission has stopped. For test purposes, the retry test bit can be set (bit 12 in the Network Configuration register) which causes the Pause Time register to decrement every GTXCK cycle once transmission has stopped.

The interrupt (bit 13 in the Interrupt Status register) is asserted whenever the Pause Time register decrements to zero (assuming it has been enabled by bit 13 in the Interrupt Mask register). This interrupt is also set when a zero quantum pause frame is received.

36.6.16.2 802.3 Pause Frame Transmission

Automatic transmission of pause frames is supported through the transmit pause frame bits of the Network Control register. If either bit 11 or bit 12 of the Network Control register is written with logic 1, an 802.3 pause frame will be transmitted, providing full duplex is selected in the Network Configuration register and the transmit block is enabled in the Network Control register.

Pause frame transmission will happen immediately if transmit is inactive or if transmit is active between the current frame and the next frame due to be transmitted.

Transmitted pause frames comprise the following:

- A destination address of 01-80-C2-00-00-01
- A source address taken from Specific Address register 1
- A type ID of 88-08 (MAC control frame)
- A pause opcode of 00-01
- A pause quantum register
- Fill of 00 to take the frame to minimum frame length

- Valid FCS

The pause quantum used in the generated frame will depend on the trigger source for the frame as follows:

- If bit 11 is written with a one, the pause quantum will be taken from the Transmit Pause Quantum register. The Transmit Pause Quantum register resets to a value of 0xFFFF giving maximum pause quantum as default.
- If bit 12 is written with a one, the pause quantum will be zero.

After transmission, a pause frame transmitted interrupt will be generated (bit 14 of the Interrupt Status register) and the only statistics register that will be incremented will be the Pause Frames Transmitted register.

Pause frames can also be transmitted by the MAC using normal frame transmission methods.

36.6.17 MAC PFC Priority-based Pause Frame Support

Note: Refer to the 802.1Qbb standard for a full description of priority-based pause operation.

The following table shows the start of a Priority-based Flow Control (PFC) pause frame.

Table 36-16: Start of a PFC Pause Frame

Address		Type (Mac Control Frame)	Pause Opcode	Priority Enable Vector	Pause Time
Destination	Source				
0x0180C2000001	6 bytes	0x8808	0x1001	2 bytes	8 × 2 bytes

The GMAC supports PFC priority-based pause transmission and reception. Before PFC pause frames can be received, bit 16 of the Network Control register must be set.

36.6.17.1 PFC Pause Frame Reception

The ability to receive and decode priority-based pause frames is enabled by setting bit 16 of the Network Control register. When this bit is set, the GMAC will match either classic 802.3 pause frames or PFC priority-based pause frames. Once a priority-based pause frame has been received and matched, then from that moment on the GMAC will only match on priority-based pause frames (this is an 802.1Qbb requirement, known as PFC negotiation). Once priority-based pause has been negotiated, any received 802.3x format pause frames will not be acted upon.

If a valid priority-based pause frame is received then the GMAC will decode the frame and determine which, if any, of the eight priorities require to be paused. Up to eight Pause Time registers are then updated with the eight pause times extracted from the frame regardless of whether a previous pause operation is active or not. An interrupt (either bit 12 or bit 13 of the Interrupt Status register) is triggered when a pause frame is received, but only if the interrupt has been enabled (bit 12 and bit 13 of the Interrupt Mask register). Pause frames received with non zero quantum are indicated through the interrupt bit 12 of the Interrupt Status register. Pause frames received with zero quantum are indicated on bit 13 of the Interrupt Status register. The loading of a new pause time only occurs when the GMAC is configured for full duplex operation. If the GMAC is configured for half duplex, the pause time counters will not be loaded, but the pause frame received interrupt will still be triggered. A valid pause frame is defined as having a destination address that matches either the address stored in Specific Address register 1 or if it matches the reserved address of 0x0180C2000001. It must also have the MAC control frame type ID of 0x8808 and have the pause opcode of 0x0101.

Pause frames that have frame check sequence (FCS) or other errors will be treated as invalid and will be discarded. Valid pause frames received will increment the Pause Frames Received Statistic register.

The Pause Time registers decrement every 512 bit times immediately following the PFC frame reception. For test purposes, the retry test bit can be set (bit 12 in the Network Configuration register) which causes the Pause Time register to decrement every GRXCK cycle once transmission has stopped.

The interrupt (bit 13 in the Interrupt Status register) is asserted whenever the Pause Time register decrements to zero (assuming it has been enabled by bit 13 in the Interrupt Mask register). This interrupt is also set when a zero quantum pause frame is received.

36.6.17.2 PFC Pause Frame Transmission

Automatic transmission of pause frames is supported through the transmit priority-based pause frame bit of the Network Control register. If bit 17 of the Network Control register is written with logic 1, a PFC pause frame will be transmitted providing full duplex is selected in the Network Configuration register and the transmit block is enabled in the Network Control register. When bit 17 of the Network Control register is set, the fields of the priority-based pause frame will be built using the values stored in the Transmit PFC Pause register.

Pause frame transmission will happen immediately if transmit is inactive or if transmit is active between the current frame and the next frame due to be transmitted.

Transmitted pause frames comprise the following:

SAMA5D3 SERIES

- A destination address of 01-80-C2-00-00-01
- A source address taken from Specific Address register 1
- A type ID of 88-08 (MAC control frame)
- A pause opcode of 01-01
- A priority enable vector taken from Transmit PFC Pause register
- 8 pause quantum registers
- Fill of 00 to take the frame to minimum frame length
- Valid FCS

The pause quantum registers used in the generated frame will depend on the trigger source for the frame as follows:

- If bit 17 of the Network Control register is written with a one, then the priority enable vector of the priority-based pause frame will be set equal to the value stored in the Transmit PFC Pause register [7:0]. For each entry equal to zero in the Transmit PFC Pause register [15:8], the pause quantum field of the pause frame associated with that entry will be taken from the transmit pause quantum register. For each entry equal to one in the Transmit PFC Pause register [15:8], the pause quantum associated with that entry will be zero.
- The Transmit Pause Quantum register resets to a value of 0xFFFF giving maximum pause quantum as default.

After transmission, a pause frame transmitted interrupt will be generated (bit 14 of the Interrupt Status register) and the only statistics register that will be incremented will be the Pause Frames Transmitted register.

PFC Pause frames can also be transmitted by the MAC using normal frame transmission methods.

36.6.18 PHY Interface

Different PHY interfaces are supported by the Gigabit Ethernet MAC:

- GMII
- MII
- RGMIIv1.3

The GMII and RGMII should only be used for 1000 Mbps operation. The MII interface is provided for 10/100 operation and uses txd[3:0] and rxd[3:0].

36.6.19 10/100/1000 Operation

The gigabit select bit in the Network Configuration register selects between 10/100 Mbps Ethernet operation and 1000 Mbps mode. The 10/100 Mbps speed bit in the Network Configuration register is used to select between 10 Mbps and 100 Mbps.

36.6.20 Jumbo Frames

The jumbo frames enable bit in the Network Configuration register allows the GMAC, in its default configuration, to receive jumbo frames up to 10240 bytes in size. This operation does not form part of the IEEE 802.3 specification and is normally disabled. When jumbo frames are enabled, frames received with a frame size greater than 10240 bytes are discarded.

36.7 Programming Interface

36.7.1 Initialization

36.7.1.1 Configuration

Initialization of the GMAC configuration (e.g., Loopback mode, frequency ratios) must be done while the transmit and receive circuits are disabled. See [Section 36.9.1 GMAC Network Control Register](#) and [Section 36.9.2 GMAC Network Configuration Register](#).

To change Loopback mode, the following sequence of operations must be followed:

1. Write to Network Control register to disable transmit and receive circuits.
2. Write to Network Control register to change Loopback mode.
3. Write to Network Control register to re-enable transmit or receive circuits.

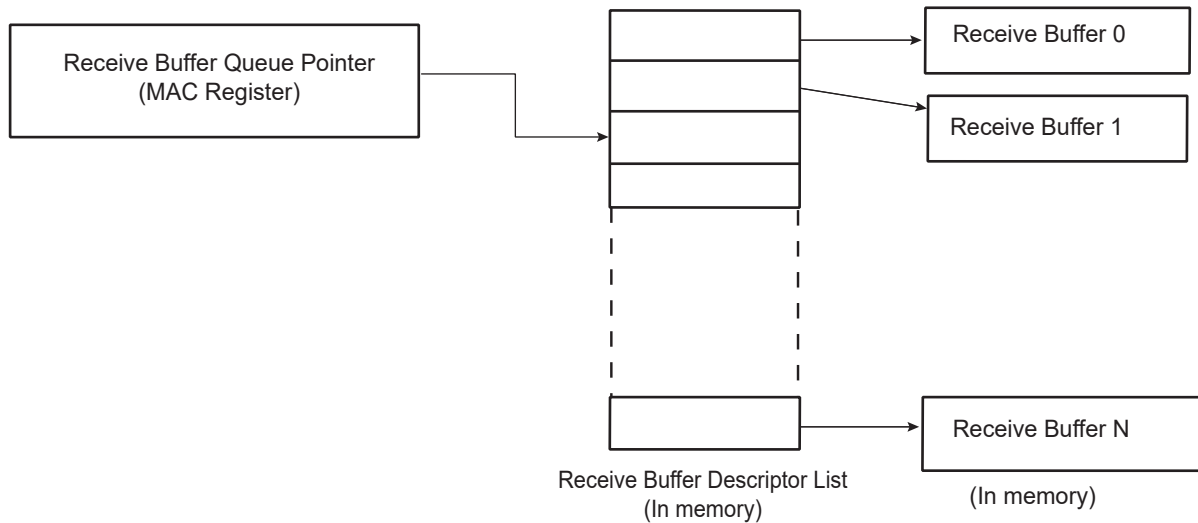
Note: These writes to the Network Control register cannot be combined in any way.

36.7.1.2 Receive Buffer List

Receive data is written to areas of data (i.e., buffers) in system memory. These buffers are listed in another data structure that also resides in main memory. This data structure (receive buffer queue) is a sequence of descriptor entries as defined in [Table 36-4 Receive Buffer Descriptor Entry](#).

The Receive Buffer Queue Pointer register points to this data structure.

Figure 36-3: Receive Buffer List



To create the list of buffers:

1. Allocate a number (N) of buffers of X bytes in system memory, where X is the DMA buffer length programmed in the DMA Configuration register.
2. Allocate an area 8N bytes for the receive buffer descriptor list in system memory and create N entries in this list. Mark all entries in this list as owned by GMAC, i.e., bit 0 of word 0 set to 0.
3. Mark the last descriptor in the queue with the wrap bit (bit 1 in word 0 set to 1).
4. Write address of receive buffer descriptor list and control information to GMAC register receive buffer queue pointer
5. The receive circuits can then be enabled by writing to the address recognition registers and the Network Control register.

36.7.1.3 Transmit Buffer List

Transmit data is read from areas of data (the buffers) in system memory. These buffers are listed in another data structure that also resides in main memory. This data structure (Transmit Buffer Queue) is a sequence of descriptor entries as defined in [Table 36-5 Transmit Buffer Descriptor Entry](#).

The Transmit Buffer Queue Pointer register points to this data structure.

To create this list of buffers:

1. Allocate a number (N) of buffers of between 1 and 2047 bytes of data to be transmitted in system memory. Up to 128 buffers per frame are allowed.
2. Allocate an area 8N bytes for the transmit buffer descriptor list in system memory and create N entries in this list. Mark all entries in this list as owned by GMAC, i.e., bit 31 of word 1 set to 0.
3. Mark the last descriptor in the queue with the wrap bit (bit 30 in word 1 set to 1).
4. Write address of transmit buffer descriptor list and control information to GMAC register transmit buffer queue pointer.
5. The transmit circuits can then be enabled by writing to the Network Control register.

36.7.1.4 Address Matching

The GMAC register pair hash address and the four Specific Address register pairs must be written with the required values. Each register pair comprises of a bottom register and top register, with the bottom register being written first. The address matching is disabled for a particular register pair after the bottom register has been written and re-enabled when the top register is written. Each register pair may be written at any time, regardless of whether the receive circuits are enabled or disabled.

As an example, to set Specific Address register 1 to recognize destination address 21:43:65:87:A9:CB, the following values are written to Specific Address register 1 bottom and Specific Address register 1 top:

- Specific Address register 1 bottom bits 31:0 (0x98): 0x8765_4321.
- Specific Address register 1 top bits 31:0 (0x9C): 0x0000_CBA9.

SAMA5D3 SERIES

36.7.1.5 PHY Maintenance

The PHY Maintenance register is implemented as a shift register. Writing to the register starts a shift operation which is signalled as complete when bit two is set in the Network Status register (about 2000 MCK cycles later when bits 18:16 are set to 010 in the Network Configuration register). An interrupt is generated as this bit is set.

During this time, the MSB of the register is output on the MDIO pin and the LSB updated from the MDIO pin with each Management Data Clock (MDC) cycle. This causes the transmission of a PHY management frame on MDIO. See section 22.2.4.5 of the IEEE 802.3 standard.

Reading during the shift operation will return the current contents of the shift register. At the end of the management operation the bits will have shifted back to their original locations. For a read operation the data bits are updated with data read from the PHY. It is important to write the correct values to the register to ensure a valid PHY management frame is produced.

The Management Data Clock (MDC) should not toggle faster than 2.5 MHz (minimum period of 400 ns), as defined by the IEEE 802.3 standard. MDC is generated by dividing down MCK. Three bits in the Network Configuration register determine by how much MCK should be divided to produce MDC.

36.7.1.6 Interrupts

There are 18 interrupt conditions that are detected within the GMAC. The conditions are ORed to make a single interrupt. Depending on the overall system design this may be passed through a further level of interrupt collection (interrupt controller). On receipt of the interrupt signal, the CPU enters the interrupt handler. Refer to the device interrupt controller documentation to identify that it is the GMAC that is generating the interrupt. To ascertain which interrupt, read the Interrupt Status register. Note that in the default configuration this register will clear itself after being read, though this may be configured to be write-one-to-clear if desired.

At reset all interrupts are disabled. To enable an interrupt, write to Interrupt Enable register with the pertinent interrupt bit set to 1. To disable an interrupt, write to Interrupt Disable register with the pertinent interrupt bit set to 1. To check whether an interrupt is enabled or disabled, read Interrupt Mask register. If the bit is set to 1, the interrupt is disabled.

36.7.1.7 Transmitting Frames

The procedure to set up a frame for transmission is the following:

1. Enable transmit in the Network Control register.
2. Allocate an area of system memory for transmit data. This does not have to be contiguous, varying byte lengths can be used if they conclude on byte borders.
3. Set-up the transmit buffer list by writing buffer addresses to word zero of the transmit buffer descriptor entries and control and length to word one.
4. Write data for transmission into the buffers pointed to by the descriptors.
5. Write the address of the first buffer descriptor to transmit buffer descriptor queue pointer.
6. Enable appropriate interrupts.
7. Write to the transmit start bit (TSTART) in the Network Control register.

36.7.1.8 Receiving Frames

When a frame is received and the receive circuits are enabled, the GMAC checks the address and, in the following cases, the frame is written to system memory:

- If it matches one of the four Specific Address registers.
- If it matches one of the four type ID registers.
- If it matches the hash address function.
- If it is a broadcast address (0xFFFFFFFF) and broadcasts are allowed.
- If the GMAC is configured to “copy all frames”.

The register receive buffer queue pointer points to the next entry in the receive buffer descriptor list and the GMAC uses this as the address in system memory to write the frame to.

Once the frame has been completely and successfully received and written to system memory, the GMAC then updates the receive buffer descriptor entry (see [Table 36-4 Receive Buffer Descriptor Entry](#)) with the reason for the address match and marks the area as being owned by software. Once this is complete, a receive complete interrupt is set. Software is then responsible for copying the data to the application area and releasing the buffer (by writing the ownership bit back to 0).

If the GMAC is unable to write the data at a rate to match the incoming frame, then a receive overrun interrupt is set. If there is no receive buffer available, i.e., the next buffer is still owned by software, a receive buffer not available interrupt is set. If the frame is not successfully received, a statistics register is incremented and the frame is discarded without informing software.

36.8 Statistics Registers

Statistics registers are described in the User Interface beginning with [Section 36.9.47 GMAC Octets Transmitted Low Register](#) and ending with [Section 36.9.91 GMAC UDP Checksum Errors Register](#).

The statistics register block begins at 0x100 and runs to 0x1B0, and comprises the registers listed below.

Octets Transmitted Low Register	Broadcast Frames Received Register
Octets Transmitted High Register	Multicast Frames Received Register
Frames Transmitted Register	Pause Frames Received Register
Broadcast Frames Transmitted Register	64 Byte Frames Received Register
Multicast Frames Transmitted Register	65 to 127 Byte Frames Received Register
Pause Frames Transmitted Register	128 to 255 Byte Frames Received Register
64 Byte Frames Transmitted Register	256 to 511 Byte Frames Received Register
65 to 127 Byte Frames Transmitted Register	512 to 1023 Byte Frames Received Register
128 to 255 Byte Frames Transmitted Register	1024 to 1518 Byte Frames Received Register
256 to 511 Byte Frames Transmitted Register	1519 to Maximum Byte Frames Received Register
512 to 1023 Byte Frames Transmitted Register	Undersize Frames Received Register
1024 to 1518 Byte Frames Transmitted Register	Oversize Frames Received Register
Greater Than 1518 Byte Frames Transmitted Register	Jabbers Received Register
Transmit Underruns Register	Frame Check Sequence Errors Register
Single Collision Frames Register	Length Field Frame Errors Register
Multiple Collision Frames Register	Receive Symbol Errors Register
Excessive Collisions Register	Alignment Errors Register
Late Collisions Register	Receive Resource Errors Register
Deferred Transmission Frames Register	Receive Overrun Register
Carrier Sense Errors Register	IP Header Checksum Errors Register
Octets Received Low Register	TCP Checksum Errors Register
Octets Received High Register	UDP Checksum Errors Register
Frames Received Register	

These registers reset to zero on a read and stick at all ones when they count to their maximum value. They should be read frequently enough to prevent loss of data.

The receive statistics registers are only incremented when the receive enable bit (RXEN) is set in the Network Control register.

Once a statistics register has been read, it is automatically cleared. When reading the Octets Transmitted and Octets Received registers, bits 31:0 should be read prior to bits 47:32 to ensure reliable operation.

SAMA5D3 SERIES

36.9 Gigabit Ethernet MAC (GMAC) User Interface

Table 36-17: Register Mapping

Offset ^{(1) (2)}	Register	Name	Access	Reset
0x000	Network Control Register	GMAC_NCR	Read/Write	0x0000_0000
0x004	Network Configuration Register	GMAC_NCFGR	Read/Write	0x0008_0000
0x008	Network Status Register	GMAC_NSR	Read-only	0b01x0
0x00C	User Register	GMAC_UR	Read/Write	0x0000_0000
0x010	DMA Configuration Register	GMAC_DCFGR	Read/Write	0x0002_0004
0x014	Transmit Status Register	GMAC_TSR	Read/Write	0x0000_0000
0x018	Receive Buffer Queue Base Address Register	GMAC_RBQB	Read/Write	0x0000_0000
0x01C	Transmit Buffer Queue Base Address Register	GMAC_TBQB	Read/Write	0x0000_0000
0x020	Receive Status Register	GMAC_RSR	Read/Write	0x0000_0000
0x024	Interrupt Status Register	GMAC_ISR	Read-only	0x0000_0000
0x028	Interrupt Enable Register	GMAC_IER	Write-only	–
0x02C	Interrupt Disable Register	GMAC_IDR	Write-only	–
0x030	Interrupt Mask Register	GMAC_IMR	Read/Write	0x07FF_FFFF
0x034	PHY Maintenance Register	GMAC_MAN	Read/Write	0x0000_0000
0x038	Received Pause Quantum Register	GMAC_RPQ	Read-only	0x0000_0000
0x03C	Transmit Pause Quantum Register	GMAC_TPQ	Read/Write	0x0000_FFFF
0x040	TX Partial Store and Forward Register	GMAC_TPSF	Read/Write	0x0000_0FFF
0x044	RX Partial Store and Forward Register	GMAC_RPSF	Read/Write	0x0000_0FFF
0x048	RX Jumbo Frame Max Length Register	GMAC_RJFML	Read/Write	0x0000_3FFF
0x4C–0x07C	Reserved	–	–	–
0x080	Hash Register Bottom	GMAC_HRB	Read/Write	0x0000_0000
0x084	Hash Register Top	GMAC_HRT	Read/Write	0x0000_0000
0x088	Specific Address 1 Bottom Register	GMAC_SAB1	Read/Write	0x0000_0000
0x08C	Specific Address 1 Top Register	GMAC_SAT1	Read/Write	0x0000_0000
0x090	Specific Address 2 Bottom Register	GMAC_SAB2	Read/Write	0x0000_0000
0x094	Specific Address 2 Top Register	GMAC_SAT2	Read/Write	0x0000_0000
0x098	Specific Address 3 Bottom Register	GMAC_SAB3	Read/Write	0x0000_0000
0x09C	Specific Address 3 Top Register	GMAC_SAT3	Read/Write	0x0000_0000
0x0A0	Specific Address 4 Bottom Register	GMAC_SAB4	Read/Write	0x0000_0000
0x0A4	Specific Address 4 Top Register	GMAC_SAT4	Read/Write	0x0000_0000
0x0A8	Type ID Match 1 Register	GMAC_TIDM1	Read/Write	0x0000_0000
0x0AC	Type ID Match 2 Register	GMAC_TIDM2	Read/Write	0x0000_0000
0x0B0	Type ID Match 3 Register	GMAC_TIDM3	Read/Write	0x0000_0000
0x0B4	Type ID Match 4 Register	GMAC_TIDM4	Read/Write	0x0000_0000
0x0B8	Wake on LAN Register	GMAC_WOL	Read/Write	0x0000_0000

Table 36-17: Register Mapping (Continued)

Offset ^{(1) (2)}	Register	Name	Access	Reset
0x0BC	IPG Stretch Register	GMAC_IPGS	Read/Write	0x0000_0000
0x0C0	Stacked VLAN Register	GMAC_SVLAN	Read/Write	0x0000_0000
0x0C4	Transmit PFC Pause Register	GMAC_TPFCP	Read/Write	0x0000_0000
0x0C8	Specific Address 1 Mask Bottom Register	GMAC_SAMB1	Read/Write	0x0000_0000
0x0CC	Specific Address 1 Mask Top Register	GMAC_SAMT1	Read/Write	0x0000_0000
0x0D0–0x0D8	Reserved	–	–	–
0x0DC	1588 Timer Nanosecond Comparison Register	GMAC_NSC	Read/Write	0x0000_0000
0x0E0	1588 Timer Second Comparison Low Register	GMAC_SCL	Read/Write	0x0000_0000
0x0E4	1588 Timer Second Comparison High Register	GMAC_SCH	Read/Write	0x0000_0000
0x0E8	PTP Event Frame Transmitted Seconds High Register	GMAC_EFTSH	Read-only	0x0000_0000
0x0EC	PTP Event Frame Received Seconds High Register	GMAC_EFRSH	Read-only	0x0000_0000
0x0F0	PTP Peer Event Frame Transmitted Seconds High Register	GMAC_PEFTSH	Read-only	0x0000_0000
0x0F4	PTP Peer Event Frame Received Seconds High Register	GMAC_PEFRSH	Read-only	0x0000_0000
0x0E8–0x0FC	Reserved	–	–	–
0x100	Octets Transmitted Low Register	GMAC_OTLO	Read-only	0x0000_0000
0x104	Octets Transmitted High Register	GMAC_OTH1	Read-only	0x0000_0000
0x108	Frames Transmitted Register	GMAC_FT	Read-only	0x0000_0000
0x10C	Broadcast Frames Transmitted Register	GMAC_BCFT	Read-only	0x0000_0000
0x110	Multicast Frames Transmitted Register	GMAC_MFT	Read-only	0x0000_0000
0x114	Pause Frames Transmitted Register	GMAC_PFT	Read-only	0x0000_0000
0x118	64 Byte Frames Transmitted Register	GMAC_BFT64	Read-only	0x0000_0000
0x11C	65 to 127 Byte Frames Transmitted Register	GMAC_TBFT127	Read-only	0x0000_0000
0x120	128 to 255 Byte Frames Transmitted Register	GMAC_TBFT255	Read-only	0x0000_0000
0x124	256 to 511 Byte Frames Transmitted Register	GMAC_TBFT511	Read-only	0x0000_0000
0x128	512 to 1023 Byte Frames Transmitted Register	GMAC_TBFT1023	Read-only	0x0000_0000
0x12C	1024 to 1518 Byte Frames Transmitted Register	GMAC_TBFT1518	Read-only	0x0000_0000
0x130	Greater Than 1518 Byte Frames Transmitted Register	GMAC_GTBFT1518	Read-only	0x0000_0000
0x134	Transmit Underruns Register	GMAC_TUR	Read-only	0x0000_0000
0x138	Single Collision Frames Register	GMAC_SCF	Read-only	0x0000_0000
0x13C	Multiple Collision Frames Register	GMAC_MCF	Read-only	0x0000_0000
0x140	Excessive Collisions Register	GMAC_EC	Read-only	0x0000_0000
0x144	Late Collisions Register	GMAC_LC	Read-only	0x0000_0000
0x148	Deferred Transmission Frames Register	GMAC_DTF	Read-only	0x0000_0000
0x14C	Carrier Sense Errors Register	GMAC_CSE	Read-only	0x0000_0000
0x150	Octets Received Low Received Register	GMAC_ORLO	Read-only	0x0000_0000
0x154	Octets Received High Received Register	GMAC_ORHI	Read-only	0x0000_0000

SAMA5D3 SERIES

Table 36-17: Register Mapping (Continued)

Offset ^{(1) (2)}	Register	Name	Access	Reset
0x158	Frames Received Register	GMAC_FR	Read-only	0x0000_0000
0x15C	Broadcast Frames Received Register	GMAC_BCFR	Read-only	0x0000_0000
0x160	Multicast Frames Received Register	GMAC_MFR	Read-only	0x0000_0000
0x164	Pause Frames Received Register	GMAC_PFR	Read-only	0x0000_0000
0x168	64 Byte Frames Received Register	GMAC_BFR64	Read-only	0x0000_0000
0x16C	65 to 127 Byte Frames Received Register	GMAC_TBFR127	Read-only	0x0000_0000
0x170	128 to 255 Byte Frames Received Register	GMAC_TBFR255	Read-only	0x0000_0000
0x174	256 to 511 Byte Frames Received Register	GMAC_TBFR511	Read-only	0x0000_0000
0x178	512 to 1023 Byte Frames Received Register	GMAC_TBFR1023	Read-only	0x0000_0000
0x17C	1024 to 1518 Byte Frames Received Register	GMAC_TBFR1518	Read-only	0x0000_0000
0x180	1519 to Maximum Byte Frames Received Register	GMAC_TMXBFR	Read-only	0x0000_0000
0x184	Undersize Frames Received Register	GMAC_UFR	Read-only	0x0000_0000
0x188	Oversize Frames Received Register	GMAC_OFR	Read-only	0x0000_0000
0x18C	Jabbers Received Register	GMAC_JR	Read-only	0x0000_0000
0x190	Frame Check Sequence Errors Register	GMAC_FCSE	Read-only	0x0000_0000
0x194	Length Field Frame Errors Register	GMAC_LFFE	Read-only	0x0000_0000
0x198	Receive Symbol Errors Register	GMAC_RSE	Read-only	0x0000_0000
0x19C	Alignment Errors Register	GMAC_AE	Read-only	0x0000_0000
0x1A0	Receive Resource Errors Register	GMAC_RRE	Read-only	0x0000_0000
0x1A4	Receive Overrun Register	GMAC_ROE	Read-only	0x0000_0000
0x1A8	IP Header Checksum Errors Register	GMAC_IHCE	Read-only	0x0000_0000
0x1AC	TCP Checksum Errors Register	GMAC_TCE	Read-only	0x0000_0000
0x1B0	UDP Checksum Errors Register	GMAC_UCE	Read-only	0x0000_0000
0x1B4–0x1B8	Reserved	–	–	–
0x1BC	1588 Timer Increment Sub-nanoseconds Register	GMAC_TISUBN	Read/Write	0x0000_0000
0x1C0	1588 Timer Seconds High Register	GMAC_TSH	Read/Write	0x0000_0000
0x1C4–0x1CC	Reserved	–	–	–
0x1D0	1588 Timer Seconds Low Register	GMAC_TSL	Read/Write	0x0000_0000
0x1D4	1588 Timer Nanoseconds Register	GMAC_TN	Read/Write	0x0000_0000
0x1D8	1588 Timer Adjust Register	GMAC_TA	Write-only	–
0x1DC	1588 Timer Increment Register	GMAC_TI	Read/Write	0x0000_0000
0x1E0	PTP Event Frame Transmitted Seconds Low Register	GMAC_EFTSL	Read-only	0x0000_0000
0x1E4	PTP Event Frame Transmitted Nanoseconds Register	GMAC_EFTN	Read-only	0x0000_0000
0x1E8	PTP Event Frame Received Seconds Low Register	GMAC_EFRSL	Read-only	0x0000_0000
0x1EC	PTP Event Frame Received Nanoseconds Register	GMAC_EFRN	Read-only	0x0000_0000
0x1F0	PTP Peer Event Frame Transmitted Seconds Low Register	GMAC_PEFTSL	Read-only	0x0000_0000

Table 36-17: Register Mapping (Continued)

Offset ^{(1) (2)}	Register	Name	Access	Reset
0x1F4	PTP Peer Event Frame Transmitted Nanoseconds Register	GMAC_PEFTN	Read-only	0x0000_0000
0x1F8	PTP Peer Event Frame Received Seconds Low Register	GMAC_PEFRL	Read-only	0x0000_0000
0x1FC	PTP Peer Event Frame Received Nanoseconds Register	GMAC_PEFRN	Read-only	0x0000_0000
0x200–0x7FC	Reserved	–	–	–

Note 1: If an offset is not listed in the Register Mapping, it must be considered as 'reserved'.

2: Some register groups are not continuous in memory.

SAMA5D3 SERIES

36.9.1 GMAC Network Control Register

Name:GMAC_NCR

Address:0xF0028000

Access: Read/Write

31	30	29	28	27	26	25	24
–	–	–	–	–	–	–	–
23	22	21	20	19	18	17	16
–	–	–	–	–	FNP	TXPBPF	ENPBPR
15	14	13	12	11	10	9	8
SRTSM	–	–	TXZQPF	TXPF	THALT	TSTART	BP
7	6	5	4	3	2	1	0
WESTAT	INCSTAT	CLRSTAT	MPE	TXEN	RXEN	LBL	–

LBL: Loopback Local

Connects GTX to GRX, GTXEN to GRXDV and forces full duplex mode. GRXCK and GTXCK may malfunction as the GMAC is switched into and out of internal loopback. It is important that receive and transmit circuits have already been disabled when making the switch into and out of internal loopback.

RXEN: Receive Enable

When set, RXEN enables the GMAC to receive data. When reset frame reception stops immediately and the receive pipeline will be cleared. The Receive Queue Pointer Register is unaffected.

TXEN: Transmit Enable

When set, TXEN enables the GMAC transmitter to send data. When reset transmission will stop immediately, the transmit pipeline and control registers will be cleared and the Transmit Queue Pointer Register will reset to point to the start of the transmit descriptor list.

MPE: Management Port Enable

Set to one to enable the management port. When zero, forces MDIO to high impedance state and MDC low.

CLRSTAT: Clear Statistics Registers

This bit is write-only. Writing a one clears the statistics registers.

INCSTAT: Increment Statistics Registers

This bit is write-only. Writing a one increments all the statistics registers by one for test purposes.

WESTAT: Write Enable for Statistics Registers

Setting this bit to one makes the statistics registers writable for functional test purposes.

BP: Back pressure

If set in 10M or 100M half duplex mode, forces collisions on all received frames. Ignored in gigabit half duplex mode.

TSTART: Start Transmission

Writing one to this bit starts transmission.

THALT: Transmit Halt

Writing one to this bit halts transmission as soon as any ongoing frame transmission ends.

TXPF: Transmit Pause Frame

Writing one to this bit causes a pause frame to be transmitted.

TXZQPF: Transmit Zero Quantum Pause Frame

Writing one to this bit causes a pause frame with zero quantum to be transmitted.

SRTSM: Store Receive Timestamp to Memory

0: Normal operation.

1: Causes the CRC of every received frame to be replaced with the value of the nanoseconds field of the 1588 timer that was captured as the receive frame passed the message timestamp point.

ENPBPR: Enable PFC Priority-based Pause Reception

Enables PFC Priority Based Pause Reception capabilities. Setting this bit enables PFC negotiation and recognition of priority-based pause frames.

TXBPBF: Transmit PFC Priority-based Pause Frame

Takes the values stored in the Transmit PFC Pause Register.

FNP: Flush Next Packet

Flush the next packet from the external RX DPRAM. Writing one to this bit will only have an effect if the DMA is not currently writing a packet already stored in the DPRAM to memory.

SAMA5D3 SERIES

36.9.2 GMAC Network Configuration Register

Name:GMAC_NCFGR

Address:0xF0028004

Access: Read/Write

31	30	29	28	27	26	25	24
–	IRXER	RXBP	IPGSEN	–	IRXFCS	EFRHD	RXCOEN
23	22	21	20	19	18	17	16
DCPF	DBW		CLK			RFCS	LFERD
15	14	13	12	11	10	9	8
RXBUFO		PEN	RTY	–	GBE	–	MAXFS
7	6	5	4	3	2	1	0
UNIHEN	MTI HEN	NBC	CAF	JFRAME	DNVLAN	FD	SPD

SPD: Speed

Set to logic one to indicate 100 Mbps operation, logic zero for 10 Mbps.

FD: Full Duplex

If set to logic one, the transmit block ignores the state of collision and carrier sense and allows receive while transmitting.

DNVLAN: Discard Non-VLAN FRAMES

When set only VLAN tagged frames will be passed to the address matching logic.

JFRAME: Jumbo Frame Size

Set to one to enable jumbo frames up to 10240 bytes to be accepted. The default length is 10240 bytes.

CAF: Copy All Frames

When set to logic one, all valid frames will be accepted.

NBC: No Broadcast

When set to logic one, frames addressed to the broadcast address of all ones will not be accepted.

MTIHEN: Multicast Hash Enable

When set, multicast frames will be accepted when the 6-bit hash function of the destination address points to a bit that is set in the Hash Register.

UNIHEN: Unicast Hash Enable

When set, unicast frames will be accepted when the 6-bit hash function of the destination address points to a bit that is set in the Hash Register.

MAXFS: 1536 Maximum Frame Size

Setting this bit means the GMAC will accept frames up to 1536 bytes in length. Normally the GMAC would reject any frame above 1518 bytes.

GBE: Gigabit Mode Enable

Setting this bit configures the GMAC for 1000 Mbps operation.

0: 10/100 operation using MII interface.

1: Gigabit operation using GMII interface.

RTY: Retry Test

Must be set to zero for normal operation. If set to one the backoff between collisions will always be one slot time. Setting this bit to one helps test the too many retries condition. Also used in the pause frame tests to reduce the pause counter's decrement time from 512 bit times, to every GRXCK cycle.

PEN: Pause Enable

When set, transmission will pause if a non-zero 802.3 classic pause frame is received and PFC has not been negotiated.

RXBUFO: Receive Buffer Offset

Indicates the number of bytes by which the received data is offset from the start of the receive buffer

LFERD: Length Field Error Frame Discard

Setting this bit causes frames with a measured length shorter than the extracted length field (as indicated by bytes 13 and 14 in a non-VLAN tagged frame) to be discarded. This only applies to frames with a length field less than 0x0600.

RFCS: Remove FCS

Setting this bit will cause received frames to be written to memory without their frame check sequence (last 4 bytes). The frame length indicated will be reduced by four bytes in this mode.

CLK: MDC CLock Division

Set according to MCK speed. These three bits determine the number MCK will be divided by to generate Management Data Clock (MDC). For conformance with the 802.3 specification, MDC must not exceed 2.5 MHz (MDC is only active during MDIO read and write operations).

Value	Name	Description
0	MCK_8	MCK divided by 8 (MCK up to 20 MHz)
1	MCK_16	MCK divided by 16 (MCK up to 40 MHz)
2	MCK_32	MCK divided by 32 (MCK up to 80 MHz)
3	MCK_48	MCK divided by 48 (MCK up to 120 MHz)
4	MCK_64	MCK divided by 64 (MCK up to 160 MHz)
5	MCK_96	MCK divided by 96 (MCK up to 240 MHz)

DBW: Data Bus Width

The default value for this register is 64 bits.

Value	Name	Description
0	DBW32	32-bit data bus width
1	DBW64	64-bit data bus width

DCPF: Disable Copy of Pause Frames

Set to one to prevent valid pause frames being copied to memory. When set, pause frames are not copied to memory regardless of the state of the Copy All Frames bit, whether a hash match is found or whether a type ID match is identified. If a destination address match is found, the pause frame will be copied to memory. Note that valid pause frames received will still increment pause statistics and pause the transmission of frames as required.

RXCOEN: Receive Checksum Offload Enable

When set, the receive checksum engine is enabled. Frames with bad IP, TCP or UDP checksums are discarded.

EFRHD: Enable Frames Received in Half Duplex

Enable frames to be received in half-duplex mode while transmitting.

IRXFCS: Ignore RX FCS

When set, frames with FCS/CRC errors will not be rejected. FCS error statistics will still be collected for frames with bad FCS and FCS status will be recorded in frame's DMA descriptor. For normal operation this bit must be set to zero.

SAMA5D3 SERIES

IPGSEN: IP Stretch Enable

When set, the transmit IPG can be increased above 96 bit times depending on the previous frame length using the IPG Stretch Register.

RXBP: Receive Bad Preamble

When set, frames with non-standard preamble are not rejected.

IRXER: Ignore IPG GRXER

When set, GRXER has no effect on the GMAC's operation when GRXDV is low. Set this bit when using the RGMII wrapper in half-duplex mode.

36.9.3 GMAC Network Status Register

Name:GMAC_NSR

Address:0xF0028008

Access: Read-only

31	30	29	28	27	26	25	24
–	–	–	–	–	–	–	–
23	22	21	20	19	18	17	16
–	–	–	–	–	–	–	–
15	14	13	12	11	10	9	8
–	–	–	–	–	–	–	–
7	6	5	4	3	2	1	0
–	–	–	–	–	IDLE	MDIO	–

MDIO: MDIO Input Status

Returns status of the GMDIO pin.

IDLE: PHY Management Logic Idle

The PHY management logic is idle (i.e., has completed).

SAMA5D3 SERIES

36.9.4 GMAC User Register

Name:GMAC_UR

Address:0xF002800C

Access: Read/Write

31	30	29	28	27	26	25	24
–	–	–	–	–	–	–	–
23	22	21	20	19	18	17	16
–	–	–	–	–	–	–	–
15	14	13	12	11	10	9	8
–	–	–	–	–	–	–	–
7	6	5	4	3	2	1	0
–	–	–	–	–	–	–	RGMII

RGMII: Reduced GMII Mode

0: GMII mode is selected (default).

1: RGMII mode is selected.

36.9.5 GMAC DMA Configuration Register

Name:GMAC_DCFGR

Address:0xF0028010

Access: Read/Write

31	30	29	28	27	26	25	24	
–	–	–	–	–	–	–	DDRP	
23	22	21	20	19	18	17	16	
DRBS								
15	14	13	12	11	10	9	8	
–	–	–	–	TXCOEN	TXPBMS	RXBMS		
7	6	5	4	3	2	1	0	
ESPA	ESMA	–	FBLDO					

FBLDO: Fixed Burst Length for DMA Data Operations:

Selects the burst length to attempt to use on the AHB when transferring frame data. Not used for DMA management operations and only used where space and data size allow. Otherwise SINGLE type AHB transfers are used.

One-hot priority encoding enforced automatically on register writes as follows, where 'x' represents don't care:

Value	Name	Description
0	–	Reserved
1	SINGLE	00001: Always use SINGLE AHB bursts
2	–	Reserved
4	INCR4	001xx: Attempt to use INCR4 AHB bursts (Default)
8	INCR8	01xxx: Attempt to use INCR8 AHB bursts
16	INCR16	1xxxx: Attempt to use INCR16 AHB bursts

ESMA: Endian Swap Mode Enable for Management Descriptor Accesses

When set, selects swapped endianness for AHB transfers. When clear, selects little endian mode.

ESPA: Endian Swap Mode Enable for Packet Data Accesses

When set, selects swapped endianness for AHB transfers. When clear, selects little endian mode.

RXBMS: Receiver Packet Buffer Memory Size Select

The default receive packet buffer size is 4 Kbytes. The table below shows how to configure this memory to FULL, HALF, QUARTER or EIGHTH of the default size.

Value	Name	Description
0	EIGHTH	4/8 Kbyte Memory Size
1	QUARTER	4/4 Kbytes Memory Size
2	HALF	4/2 Kbytes Memory Size
3	FULL	4 Kbytes Memory Size

TXPBMS: Transmitter Packet Buffer Memory Size Select

Having this bit at zero halves the amount of memory used for the transmit packet buffer. This reduces the amount of memory used by the GMAC. It is important to set this bit to one if the full configured physical memory is available. The value in brackets below represents the size that would result for the default maximum configured memory size of 4 Kbytes.

SAMA5D3 SERIES

0: Do not use top address bit (2 Kbytes).

1: Use full configured addressable space (4 Kbytes).

TXCOEN: Transmitter Checksum Generation Offload Enable

Transmitter IP, TCP and UDP checksum generation offload enable. When set, the transmitter checksum generation engine is enabled to calculate and substitute checksums for transmit frames. When clear, frame data is unaffected.

DRBS: DMA Receive Buffer Size

DMA receive buffer size in AHB system memory. The value defined by these bits determines the size of buffer to use in main AHB system memory when writing received data.

The value is defined in multiples of 64 bytes, thus a value of 0x01 corresponds to buffers of 64 bytes, 0x02 corresponds to 128 bytes etc.

For example:

- 0x02: 128 bytes
- 0x18: 1536 bytes (1 × max length frame/buffer)
- 0xA0: 10240 bytes (1 × 10K jumbo frame/buffer)

Note that this value should never be written as zero.

DDRP: DMA Discard Receive Packets

When set, the GMAC DMA will automatically discard receive packets from the receiver packet buffer memory when no AHB resource is available.

When low, the received packets will remain to be stored in the SRAM based packet buffer until AHB buffer resource next becomes available.

A write to this bit is ignored if the DMA is not configured in the packet buffer full store and forward mode.

36.9.6 GMAC Transmit Status Register

Name:GMAC_TSR

Address:0xF0028014

Access: Read/Write

31	30	29	28	27	26	25	24
–	–	–	–	–	–	–	–
23	22	21	20	19	18	17	16
–	–	–	–	–	–	–	–
15	14	13	12	11	10	9	8
–	–	–	–	–	–	–	HRESP
7	6	5	4	3	2	1	0
LCO	–	TXCOMP	TFC	TXGO	RLE	COL	UBR

UBR: Used Bit Read

Set when a transmit buffer descriptor is read with its used bit set. Writing a one clears this bit.

COL: Collision Occurred

Set by the assertion of collision. Writing a one clears this bit. When operating in 10/100 mode, this status indicates either a collision or a late collision. In gigabit mode, this status is not set for a late collision.

RLE: Retry Limit Exceeded

Writing a one clears this bit.

TXGO: Transmit Go

Transmit go, if high transmit is active. When using the DMA interface this bit represents the TXGO variable as specified in the transmit buffer description.

TFC: Transmit Frame Corruption Due to AHB Error

Transmit frame corruption due to AHB error. Set if an error occurs while midway through reading transmit frame from the AHB, including HRESP errors and buffers exhausted mid frame (if the buffers run out during transmission of a frame then transmission stops, FCS shall be bad and GTXER asserted).

Also set in DMA packet buffer mode if single frame is too large for configured packet buffer memory size.

Writing a one clears this bit.

TXCOMP: Transmit Complete

Set when a frame has been transmitted. Writing a one clears this bit.

LCO: Late Collision Occurred

Only set if the condition occurs in gigabit mode, as retry is not attempted. Writing a one clears this bit.

HRESP: HRESP Not OK

Set when the DMA block sees HRESP not OK. Writing a one clears this bit.

SAMA5D3 SERIES

36.9.7 GMAC Receive Buffer Queue Base Address Register

Name:GMAC_RBQB

Address:0xF0028018

Access: Read/Write

31	30	29	28	27	26	25	24
ADDR							
23	22	21	20	19	18	17	16
ADDR							
15	14	13	12	11	10	9	8
ADDR							
7	6	5	4	3	2	1	0
ADDR						-	-

This register holds the start address of the receive buffer queue (receive buffers descriptor list). The receive buffer queue base address must be initialized before receive is enabled through bit 2 of the Network Control Register. Once reception is enabled, any write to the Receive Buffer Queue Base Address Register is ignored. Reading this register returns the location of the descriptor currently being accessed. This value increments as buffers are used. Software should not use this register for determining where to remove received frames from the queue as it constantly changes as new frames are received. Software should instead work its way through the buffer descriptor queue checking the “used” bits.

In terms of AMBA AHB operation, the descriptors are read from memory using a single 32-bit AHB access. When the datapath is configured at 64 bits, the descriptors should be aligned at 64-bit boundaries and each pair of 32-bit descriptors is written to by using a single AHB access. The descriptors should be aligned at 32-bit boundaries and the descriptors are written to using two individual non sequential accesses for 32-bit datapaths.

ADDR: Receive Buffer Queue Base Address

Written with the address of the start of the receive queue.

36.9.8 GMAC Transmit Buffer Queue Base Address Register

Name:GMAC_TBQB

Address:0xF002801C

Access: Read/Write

31	30	29	28	27	26	25	24
ADDR							
23	22	21	20	19	18	17	16
ADDR							
15	14	13	12	11	10	9	8
ADDR							
7	6	5	4	3	2	1	0
ADDR						-	-

This register holds the start address of the transmit buffer queue (transmit buffers descriptor list). The Transmit Buffer Queue Base Address Register must be initialized before transmit is started through bit 9 of the Network Control Register. Once transmission has started, any write to the Transmit Buffer Queue Base Address Register is illegal and therefore ignored.

Note that due to clock boundary synchronization, it takes a maximum of four MCK cycles from the writing of the transmit start bit before the transmitter is active. Writing to the Transmit Buffer Queue Base Address Register during this time may produce unpredictable results.

Reading this register returns the location of the descriptor currently being accessed. Since the DMA handles two frames at once, this may not necessarily be pointing to the current frame being transmitted.

In terms of AMBA AHB operation, the descriptors are written to memory using a single 32-bit AHB access. When the datapath is configured at 64 bits, the descriptors should be aligned at 64-bit boundaries and each pair of 32-bit descriptors is read from memory using a single AHB access. The descriptors should be aligned at 32-bit boundaries and the descriptors are read from memory using two individual non sequential accesses for 32-bit datapaths.

ADDR: Transmit Buffer Queue Base Address

Written with the address of the start of the transmit queue.

SAMA5D3 SERIES

36.9.9 GMAC Receive Status Register

Name:GMAC_RSR

Address:0xF0028020

Access: Read/Write

31	30	29	28	27	26	25	24
–	–	–	–	–	–	–	–
23	22	21	20	19	18	17	16
–	–	–	–	–	–	–	–
15	14	13	12	11	10	9	8
–	–	–	–	–	–	–	–
7	6	5	4	3	2	1	0
–	–	–	–	HNO	RXOVR	REC	BNA

This register, when read, provides receive status details. Once read, individual bits may be cleared by writing a one to them. It is not possible to set a bit to 1 by writing to the register.

BNA: Buffer Not Available

An attempt was made to get a new buffer and the pointer indicated that it was owned by the processor. The DMA will re-read the pointer each time an end of frame is received until a valid pointer is found. This bit is set following each descriptor read attempt that fails, even if consecutive pointers are unsuccessful and software has in the mean time cleared the status flag. Writing a one clears this bit.

REC: Frame Received

One or more frames have been received and placed in memory. Writing a one clears this bit.

RXOVR: Receive Overrun

This bit is set if the receive status was not taken at the end of the frame. This bit is also set if the packet buffer overflows. The buffer will be recovered if an overrun occurs. Writing a one clears this bit.

HNO: HRESP Not OK

Set when the DMA block sees HRESP not OK. Writing a one clears this bit.

36.9.10 GMAC Interrupt Status Register

Name:GMAC_ISR

Address:0xF0028024

Access: Read-only

31	30	29	28	27	26	25	24
–	–	TSUTIMCOMP	WOL	–	SRI	PDRSFT	PDRQFT
23	22	21	20	19	18	17	16
PDRSFR	PDRQFR	SFT	DRQFT	SFR	DRQFR	–	–
15	14	13	12	11	10	9	8
–	PFTR	PTZ	PFNZ	HRESP	ROVR	–	–
7	6	5	4	3	2	1	0
TCOMP	TFC	RLEX	TUR	TXUBR	RXUBR	RCOMP	MFS

This register indicates the source of the interrupt. In order that the bits of this register read 1, the corresponding interrupt source must be enabled in the mask register. If any bit is set in this register, the GMAC interrupt signal will be asserted in the system.

MFS: Management Frame Sent

The PHY Maintenance Register has completed its operation. Cleared on read.

RCOMP: Receive Complete

A frame has been stored in memory. Cleared on read.

RXUBR: RX Used Bit Read

Set when a receive buffer descriptor is read with its used bit set. Cleared on read.

TXUBR: TX Used Bit Read

Set when a transmit buffer descriptor is read with its used bit set. Cleared on read.

TUR: Transmit Underrun

This interrupt is set if the transmitter was forced to terminate a frame that it has already began transmitting due to further data being unavailable.

This interrupt is set if a transmitter status write back has not completed when another status write back is attempted.

This interrupt is also set when the transmit DMA has written the SOP data into the FIFO and either the AHB bus was not granted in time for further data, or because an AHB not OK response was returned, or because the used bit was read.

RLEX: Retry Limit Exceeded or Late Collision

Transmit error. Late collision will only cause this status bit to be set in gigabit mode, as a retry is not attempted. Cleared on read.

TFC: Transmit Frame Corruption Due to AHB Error

Transmit frame corruption due to AHB error. Set if an error occurs while midway through reading transmit frame from the AHB, including HRESP errors and buffers exhausted mid frame.

TCOMP: Transmit Complete

Set when a frame has been transmitted. Cleared on read.

ROVR: Receive Overrun

Set when the receive overrun status bit is set. Cleared on read.

HRESP: HRESP Not OK

Set when the DMA block sees HRESP not OK. Cleared on read.

SAMA5D3 SERIES

PFNZ: Pause Frame with Non-zero Pause Quantum Received

Indicates a valid pause has been received that has a non-zero pause quantum field. Cleared on read.

PTZ: Pause Time Zero

Set when either the Pause Time Register at address 0x38 decrements to zero, or when a valid pause frame is received with a zero pause quantum field. Cleared on read.

PFTR: Pause Frame Transmitted

Indicates a pause frame has been successfully transmitted after being initiated from the Network Control Register. Cleared on read.

DRQFR: PTP Delay Request Frame Received

Indicates a PTP delay_req frame has been received. Cleared on read.

SFR: PTP Sync Frame Received

Indicates a PTP sync frame has been received. Cleared on read.

DRQFT: PTP Delay Request Frame Transmitted

Indicates a PTP delay_req frame has been transmitted. Cleared on read.

SFT: PTP Sync Frame Transmitted

Indicates a PTP sync frame has been transmitted. Cleared on read.

PDRQFR: PDelay Request Frame Received

Indicates a PTP pdelay_req frame has been received. Cleared on read.

PDRSFR: PDelay Response Frame Received

Indicates a PTP pdelay_resp frame has been received. Cleared on read.

PDRQFT: PDelay Request Frame Transmitted

Indicates a PTP pdelay_req frame has been transmitted. Cleared on read.

PDRSFT: PDelay Response Frame Transmitted

Indicates a PTP pdelay_resp frame has been transmitted. Cleared on read.

SRI: TSU Seconds Register Increment

Indicates the register has incremented. Cleared on read.

WOL: Wake On LAN

WOL interrupt. Indicates a WOL event has been received.

TSUTIMCOMP: TSU Timer Comparison

Indicates when TSU timer count value is equal to programmed value. Cleared on read.

36.9.11 GMAC Interrupt Enable Register

Name:GMAC_IER

Address:0xF0028028

Access: Write-only

31	30	29	28	27	26	25	24
–	–	TSUTIMCOMP	WOL	–	SRI	PDRSFT	PDRQFT
23	22	21	20	19	18	17	16
PDRSFR	PDRQFR	SFT	DRQFT	SFR	DRQFR	–	–
15	14	13	12	11	10	9	8
EXINT	PFTR	PTZ	PFNZ	HRESP	ROVR	–	–
7	6	5	4	3	2	1	0
TCOMP	TFC	RLEX	TUR	TXUBR	RXUBR	RCOMP	MFS

This register is write-only and when read will return zero.

The following values are valid for all listed bit names of this register:

0: No effect.

1: Enables the corresponding interrupt.

MFS: Management Frame Sent

RCOMP: Receive Complete

RXUBR: RX Used Bit Read

TXUBR: TX Used Bit Read

TUR: Transmit Underrun

RLEX: Retry Limit Exceeded or Late Collision

TFC: Transmit Frame Corruption Due to AHB Error

TCOMP: Transmit Complete

ROVR: Receive Overrun

HRESP: HRESP Not OK

PFNZ: Pause Frame with Non-zero Pause Quantum Received

PTZ: Pause Time Zero

PFTR: Pause Frame Transmitted

EXINT: External Interrupt

DRQFR: PTP Delay Request Frame Received

SFR: PTP Sync Frame Received

DRQFT: PTP Delay Request Frame Transmitted

SFT: PTP Sync Frame Transmitted

PDRQFR: PDelay Request Frame Received

PDRSFR: PDelay Response Frame Received

SAMA5D3 SERIES

PDRQFT: PDelay Request Frame Transmitted

PDRSFT: PDelay Response Frame Transmitted

SRI: TSU Seconds Register Increment

WOL: Wake On LAN

TSUTIMCOMP: TSU Timer Comparison

36.9.12 GMAC Interrupt Disable Register

Name:GMAC_IDR

Address:0xF002802C

Access: Write-only

31	30	29	28	27	26	25	24
–	–	TSUTIMCOMP	WOL	–	SRI	PDRSFT	PDRQFT
23	22	21	20	19	18	17	16
PDRSFR	PDRQFR	SFT	DRQFT	SFR	DRQFR	–	–
15	14	13	12	11	10	9	8
EXINT	PFTR	PTZ	PFNZ	HRESP	ROVR	–	–
7	6	5	4	3	2	1	0
TCOMP	TFC	RLEX	TUR	TXUBR	RXUBR	RCOMP	MFS

This register is write-only and when read will return zero.

The following values are valid for all listed bit names of this register:

0: No effect.

1: Disables the corresponding interrupt.

MFS: Management Frame Sent

RCOMP: Receive Complete

RXUBR: RX Used Bit Read

TXUBR: TX Used Bit Read

TUR: Transmit Underrun

RLEX: Retry Limit Exceeded or Late Collision

TFC: Transmit Frame Corruption Due to AHB Error

TCOMP: Transmit Complete

ROVR: Receive Overrun

HRESP: HRESP Not OK

PFNZ: Pause Frame with Non-zero Pause Quantum Received

PTZ: Pause Time Zero

PFTR: Pause Frame Transmitted

EXINT: External Interrupt

DRQFR: PTP Delay Request Frame Received

SFR: PTP Sync Frame Received

DRQFT: PTP Delay Request Frame Transmitted

SFT: PTP Sync Frame Transmitted

PDRQFR: PDelay Request Frame Received

PDRSFR: PDelay Response Frame Received

SAMA5D3 SERIES

PDRQFT: PDelay Request Frame Transmitted

PDRSFT: PDelay Response Frame Transmitted

SRI: TSU Seconds Register Increment

WOL: Wake On LAN

TSUTIMCOMP: TSU Timer Comparison

36.9.13 GMAC Interrupt Mask Register

Name:GMAC_IMR

Address:0xF0028030

Access: Read/Write

31	30	29	28	27	26	25	24
–	–	TSUTIMCOMP	WOL	–	SRI	PDRSFT	PDRQFT
23	22	21	20	19	18	17	16
PDRSFR	PDRQFR	SFT	DRQFT	SFR	DRQFR	–	–
15	14	13	12	11	10	9	8
EXINT	PFTR	PTZ	PFNZ	HRESP	ROVR	–	–
7	6	5	4	3	2	1	0
TCOMP	TFC	RLEX	TUR	TXUBR	RXUBR	RCOMP	MFS

The Interrupt Mask Register is a read-only register indicating which interrupts are masked. All bits are set at reset and can be reset individually by writing to the Interrupt Enable Register or set individually by writing to the Interrupt Disable Register. Having separate address locations for enable and disable saves the need for performing a read modify write when updating the Interrupt Mask Register.

For test purposes there is a write-only function to this register that allows the bits in the Interrupt Status Register to be set or cleared, regardless of the state of the mask register. A write to this register directly affects the state of the corresponding bit in the Interrupt Status Register, causing an interrupt to be generated if a 1 is written.

The following values are valid for all listed bit names of this register when read:

0: The corresponding interrupt is enabled.

1: The corresponding interrupt is not enabled.

MFS: Management Frame Sent

RCOMP: Receive Complete

RXUBR: RX Used Bit Read

TXUBR: TX Used Bit Read

TUR: Transmit Underrun

RLEX: Retry Limit Exceeded or Late Collision

TFC: Transmit Frame Corruption Due to AHB Error

TCOMP: Transmit Complete

ROVR: Receive Overrun

HRESP: HRESP Not OK

PFNZ: Pause Frame with Non-zero Pause Quantum Received

PTZ: Pause Time Zero

PFTR: Pause Frame Transmitted

EXINT: External Interrupt

DRQFR: PTP Delay Request Frame Received

SFR: PTP Sync Frame Received

DRQFT: PTP Delay Request Frame Transmitted

SAMA5D3 SERIES

SFT: PTP Sync Frame Transmitted

PDRQFR: PDelay Request Frame Received

PDRSFR: PDelay Response Frame Received

PDRQFT: PDelay Request Frame Transmitted

PDRSFT: PDelay Response Frame Transmitted

SRI: TSU Seconds Register Increment

WOL: Wake On LAN

TSUTIMCOMP: TSU Timer Comparison

36.9.14 GMAC PHY Maintenance Register

Name:GMAC_MAN

Address:0xF0028034

Access: Read/Write

31	30	29	28	27	26	25	24
WZO	CLTTO	OP		PHYA			
23	22	21	20	19	18	17	16
PHYA	REGA					WTN	
15	14	13	12	11	10	9	8
DATA							
7	6	5	4	3	2	1	0
DATA							

The PHY Maintenance Register is implemented as a shift register. Writing to the register starts a shift operation which is signalled as complete when bit 2 is set in the Network Status Register. It takes about 2000 MCK cycles to complete, when MDC is set for MCK divide by 32 in the Network Configuration Register. An interrupt is generated upon completion.

During this time, the MSB of the register is output on the MDIO pin and the LSB updated from the MDIO pin with each MDC cycle. This causes transmission of a PHY management frame on MDIO. See *Section 22.2.4.5 of the IEEE 802.3 standard*.

Reading during the shift operation returns the current contents of the shift register. At the end of management operation, the bits will have shifted back to their original locations. For a read operation, the data bits are updated with data read from the PHY. It is important to write the correct values to the register to ensure a valid PHY management frame is produced.

The MDIO interface can read IEEE 802.3 clause 45 PHYs as well as clause 22 PHYs. To read clause 45 PHYs, bit 30 should be written with a 0 rather than a 1. To write clause 45 PHYs, bits 31:28 should be written as 0x0001. See [Table 36-18](#).

Table 36-18: Clause 22/Clause 45 PHYs Read/Write Access Configuration (GMAC_MAN Bits 31:28)

PHY	Access	Bit Value			
		WZO	CLTTO	OP[1]	OP[0]
Clause 22	Read	0	1	1	0
	Write	0	1	0	1
Clause 45	Read	0	0	1	1
	Write	0	0	0	1
	Read + Address	0	0	1	0

For a description of MDC generation, see [Section 36.9.2 GMAC Network Configuration Register](#).

DATA: PHY Data

For a write operation this field is written with the data to be written to the PHY. After a read operation this field contains the data read from the PHY.

WTN: Write Ten

Must be written to 10.

REGA: Register Address

Specifies the register in the PHY to access.

PHYA: PHY Address

SAMA5D3 SERIES

OP: Operation

01: Write

10: Read

CLTTO: Clause 22 Operation

0: Clause 45 operation

1: Clause 22 operation

WZO: Write ZERO

Must be written with 0.

36.9.15 GMAC Receive Pause Quantum Register

Name:GMAC_RPQ

Address:0xF0028038

Access: Read-only

31	30	29	28	27	26	25	24
–	–	–	–	–	–	–	–
23	22	21	20	19	18	17	16
–	–	–	–	–	–	–	–
15	14	13	12	11	10	9	8
RPQ							
7	6	5	4	3	2	1	0
RPQ							

RPQ: Received Pause Quantum

Stores the current value of the Receive Pause Quantum Register which is decremented every 512 bit times.

SAMA5D3 SERIES

36.9.16 GMAC Transmit Pause Quantum Register

Name:GMAC_TPQ

Address:0xF002803C

Access: Read/Write

31	30	29	28	27	26	25	24
–	–	–	–	–	–	–	–
23	22	21	20	19	18	17	16
–	–	–	–	–	–	–	–
15	14	13	12	11	10	9	8
TPQ							
7	6	5	4	3	2	1	0
TPQ							

TPQ: Transmit Pause Quantum

Written with the pause quantum value for pause frame transmission.

36.9.17 GMAC TX Partial Store and Forward Register

Name:GMAC_TPSF

Address:0xF0028040

Access: Read/Write

31	30	29	28	27	26	25	24
ENTXP	–	–	–	–	–	–	–
23	22	21	20	19	18	17	16
–	–	–	–	–	–	–	–
15	14	13	12	11	10	9	8
–	–	–	–	TPB1ADR			
7	6	5	4	3	2	1	0
TPB1ADR							

TPB1ADR: Transmit Partial Store and Forward Address

Watermark value. Reset = 1.

ENTXP: Enable TX Partial Store and Forward Operation

SAMA5D3 SERIES

36.9.18 GMAC RX Partial Store and Forward Register

Name:GMAC_RPSF

Address:0xF0028044

Access: Read/Write

31	30	29	28	27	26	25	24
ENRXP	-	-	-	-	-	-	-
23	22	21	20	19	18	17	16
-	-	-	-	-	-	-	-
15	14	13	12	11	10	9	8
-	-	-	-	RPB1ADR			
7	6	5	4	3	2	1	0
RPB1ADR							

RPB1ADR: Receive Partial Store and Forward Address

Watermark value. Reset = 1.

ENRXP: Enable RX Partial Store and Forward Operation

36.9.19 GMAC RX Jumbo Frame Max Length Register

Name: GMAC_RJFML

Address: 0xF0028048

Access: Read/Write

31	30	29	28	27	26	25	24
–	–	–	–	–	–	–	–
23	22	21	20	19	18	17	16
–	–	–	–	–	–	–	–
15	14	13	12	11	10	9	8
–	–	FML					
7	6	5	4	3	2	1	0
FML							

FML: Frame Max Length

Rx jumbo frame maximum length.

SAMA5D3 SERIES

36.9.20 GMAC Hash Register Bottom

Name:GMAC_HRB

Address:0xF0028080

Access: Read-only

31	30	29	28	27	26	25	24
ADDR							
23	22	21	20	19	18	17	16
ADDR							
15	14	13	12	11	10	9	8
ADDR							
7	6	5	4	3	2	1	0
ADDR							

The unicast hash enable (UNIHEN) and the multicast hash enable (MITIHEN) bits in the Network Configuration Register ([Section 36.9.2 GMAC Network Configuration Register](#)) enable the reception of hash matched frames. See [Section 36.6.9 Hash Addressing](#).

ADDR: Hash Address

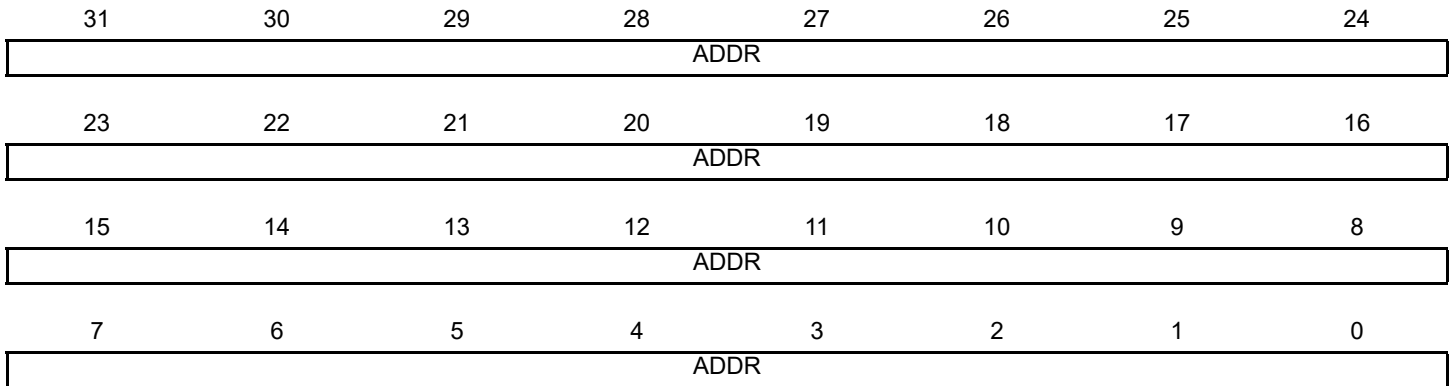
The first 32 bits of the Hash Address Register.

36.9.21 GMAC Hash Register Top

Name:GMAC_HRT

Address:0xF0028084

Access: Read-only



The unicast hash enable (UNIHEN) and the multicast hash enable (MITIHEN) bits in the [GMAC Network Configuration Register](#) enable the reception of hash matched frames. See [Section 36.6.9 Hash Addressing](#).

ADDR: Hash Address

Bits 63 to 32 of the Hash Address Register.

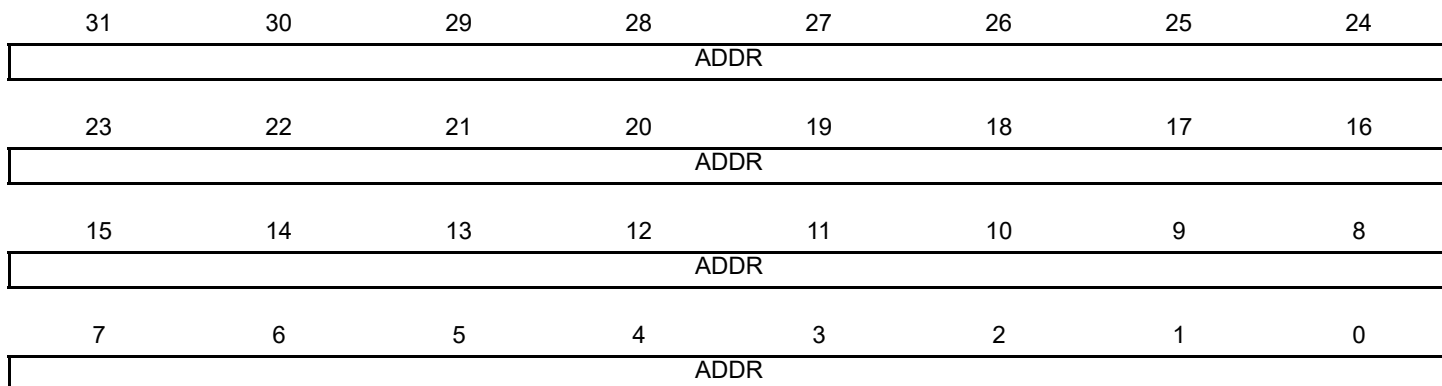
SAMA5D3 SERIES

36.9.22 GMAC Specific Address 1 Bottom Register

Name:GMAC_SAB1

Address:0xF0028088

Access: Read/Write



The addresses stored in the Specific Address Registers are deactivated at reset or when their corresponding Specific Address Register Bottom is written. They are activated when Specific Address Register Top is written.

ADDR: Specific Address 1

Least significant 32 bits of the destination address, that is, bits 31:0. Bit zero indicates whether the address is multicast or unicast and corresponds to the least significant bit of the first byte received.

36.9.23 GMAC Specific Address 1 Top Register

Name:GMAC_SAT1

Address:0xF002808C

Access: Read/Write

31	30	29	28	27	26	25	24
–	–	–	–	–	–	–	–
23	22	21	20	19	18	17	16
–	–	–	–	–	–	–	–
15	14	13	12	11	10	9	8
ADDR							
7	6	5	4	3	2	1	0
ADDR							

The addresses stored in the Specific Address Registers are deactivated at reset or when their corresponding Specific Address Register Bottom is written. They are activated when Specific Address Register Top is written.

ADDR: Specific Address 1

The most significant bits of the destination address, that is, bits 47:32.

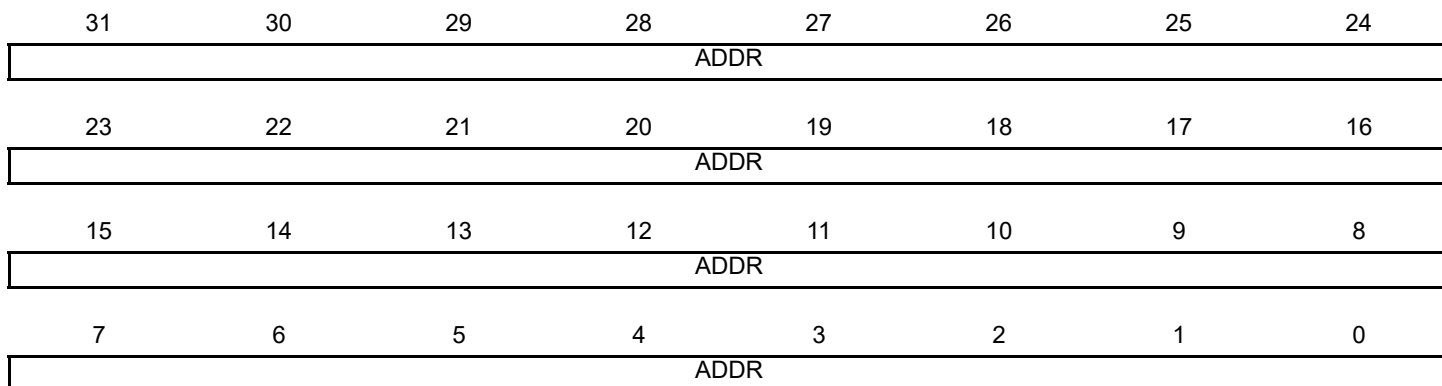
SAMA5D3 SERIES

36.9.24 GMAC Specific Address 2 Bottom Register

Name:GMAC_SAB2

Address:0xF0028090

Access: Read/Write



The addresses stored in the Specific Address Registers are deactivated at reset or when their corresponding Specific Address Register Bottom is written. They are activated when Specific Address Register Top is written.

ADDR: Specific Address 2

Least significant 32 bits of the destination address, that is, bits 31:0. Bit zero indicates whether the address is multicast or unicast and corresponds to the least significant bit of the first byte received.

36.9.25 GMAC Specific Address 2 Top Register

Name:GMAC_SAT2

Address:0xF0028094

Access: Read/Write

31	30	29	28	27	26	25	24
–	–	–	–	–	–	–	–
23	22	21	20	19	18	17	16
–	–	–	–	–	–	–	–
15	14	13	12	11	10	9	8
ADDR							
7	6	5	4	3	2	1	0
ADDR							

The addresses stored in the Specific Address Registers are deactivated at reset or when their corresponding Specific Address Register Bottom is written. They are activated when Specific Address Register Top is written.

ADDR: Specific Address 2

The most significant bits of the destination address, that is, bits 47:32.

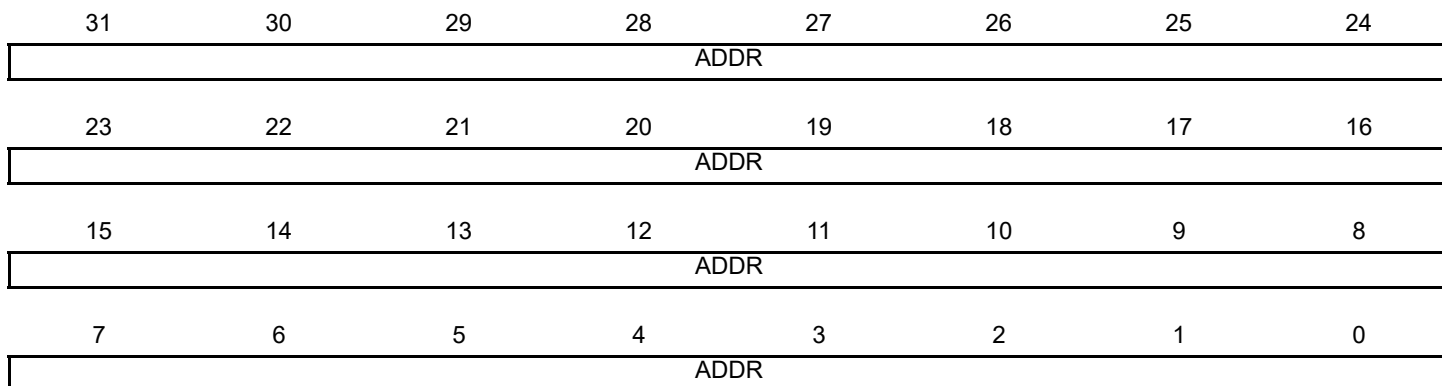
SAMA5D3 SERIES

36.9.26 GMAC Specific Address 3 Bottom Register

Name:GMAC_SAB3

Address:0xF0028098

Access: Read/Write



The addresses stored in the Specific Address Registers are deactivated at reset or when their corresponding Specific Address Register Bottom is written. They are activated when Specific Address Register Top is written.

ADDR: Specific Address 3

Least significant 32 bits of the destination address, that is, bits 31:0. Bit zero indicates whether the address is multicast or unicast and corresponds to the least significant bit of the first byte received.

36.9.27 GMAC Specific Address 3 Top Register

Name:GMAC_SAT3

Address:0xF002809C

Access: Read/Write

31	30	29	28	27	26	25	24
–	–	–	–	–	–	–	–
23	22	21	20	19	18	17	16
–	–	–	–	–	–	–	–
15	14	13	12	11	10	9	8
ADDR							
7	6	5	4	3	2	1	0
ADDR							

The addresses stored in the Specific Address Registers are deactivated at reset or when their corresponding Specific Address Register Bottom is written. They are activated when Specific Address Register Top is written.

ADDR: Specific Address 3

The most significant bits of the destination address, that is, bits 47:32.

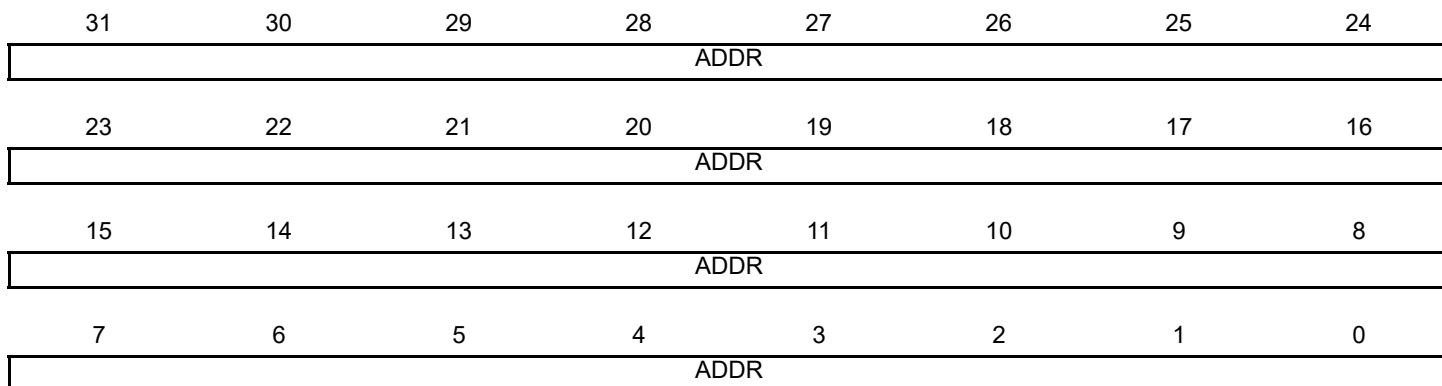
SAMA5D3 SERIES

36.9.28 GMAC Specific Address 4 Bottom Register

Name:GMAC_SAB4

Address:0xF00280A0

Access: Read/Write



The addresses stored in the Specific Address Registers are deactivated at reset or when their corresponding Specific Address Register Bottom is written. They are activated when Specific Address Register Top is written.

ADDR: Specific Address 4

Least significant 32 bits of the destination address, that is, bits 31:0. Bit zero indicates whether the address is multicast or unicast and corresponds to the least significant bit of the first byte received.

36.9.29 GMAC Specific Address 4 Top Register

Name:GMAC_SAT4

Address:0xF00280A4

Access: Read/Write

31	30	29	28	27	26	25	24
–	–	–	–	–	–	–	–
23	22	21	20	19	18	17	16
–	–	–	–	–	–	–	–
15	14	13	12	11	10	9	8
ADDR							
7	6	5	4	3	2	1	0
ADDR							

The addresses stored in the Specific Address Registers are deactivated at reset or when their corresponding Specific Address Register Bottom is written. They are activated when Specific Address Register Top is written.

ADDR: Specific Address 4

The most significant bits of the destination address, that is, bits 47:32.

SAMA5D3 SERIES

36.9.30 GMAC Type ID Match 1 Register

Name:GMAC_TIDM1

Address:0xF00280A8

Access: Read/Write

31	30	29	28	27	26	25	24
ENID1	–	–	–	–	–	–	–
23	22	21	20	19	18	17	16
–	–	–	–	–	–	–	–
15	14	13	12	11	10	9	8
TID							
7	6	5	4	3	2	1	0
TID							

TID: Type ID Match 1

For use in comparisons with received frames type ID/length frames.

ENID1: Enable Copying of TID Matched Frames

0: TID is not part of the comparison match.

1: TID is processed for the comparison match.

36.9.31 GMAC Type ID Match 2 Register

Name:GMAC_TIDM2

Address:0xF00280AC

Access: Read/Write

31	30	29	28	27	26	25	24
ENID2	–	–	–	–	–	–	–
23	22	21	20	19	18	17	16
–	–	–	–	–	–	–	–
15	14	13	12	11	10	9	8
TID							
7	6	5	4	3	2	1	0
TID							

TID: Type ID Match 2

For use in comparisons with received frames type ID/length frames.

ENID2: Enable Copying of TID Matched Frames

0: TID is not part of the comparison match.

1: TID is processed for the comparison match.

SAMA5D3 SERIES

36.9.32 GMAC Type ID Match 3 Register

Name:GMAC_TIDM3

Address:0xF00280B0

Access: Read/Write

31	30	29	28	27	26	25	24
ENID3	–	–	–	–	–	–	–
23	22	21	20	19	18	17	16
–	–	–	–	–	–	–	–
15	14	13	12	11	10	9	8
TID							
7	6	5	4	3	2	1	0
TID							

TID: Type ID Match 3

For use in comparisons with received frames type ID/length frames.

ENID3: Enable Copying of TID Matched Frames

0: TID is not part of the comparison match.

1: TID is processed for the comparison match.

36.9.33 GMAC Type ID Match 4 Register

Name:GMAC_TIDM4

Address:0xF00280B4

Access: Read/Write

31	30	29	28	27	26	25	24
ENID4	–	–	–	–	–	–	–
23	22	21	20	19	18	17	16
–	–	–	–	–	–	–	–
15	14	13	12	11	10	9	8
TID							
7	6	5	4	3	2	1	0
TID							

TID: Type ID Match 4

For use in comparisons with received frames type ID/length frames.

ENID4: Enable Copying of TID Matched Frames

0: TID is not part of the comparison match.

1: TID is processed for the comparison match.

SAMA5D3 SERIES

36.9.34 GMAC Wake on LAN Register

Name:GMAC_WOL

Address:0xF00280B8

Access: Read/Write

31	30	29	28	27	26	25	24
-							
23	22	21	20	19	18	17	16
-				MTI	SA1	ARP	MAG
15	14	13	12	11	10	9	8
IP							
7	6	5	4	3	2	1	0
IP							

IP: ARP Request IP Address

Wake on LAN ARP request IP address. Written to define the least significant 16 bits of the target IP address that is matched to generate a Wake on LAN event. A value of zero will not generate an event, even if this is matched by the received frame.

MAG: Magic Packet Event Enable

Wake on LAN magic packet event enable.

ARP: ARP Request Event Enable

Wake on LAN ARP request event enable.

SA1: Specific Address Register 1 Event Enable

Wake on LAN Specific Address Register 1 event enable.

MTI: Multicast Hash Event Enable

Wake on LAN multicast hash event enable.

36.9.35 GMAC IPG Stretch Register

Name:GMAC_IPGS

Address:0xF00280BC

Access: Read/Write

31	30	29	28	27	26	25	24
–	–	–	–	–	–	–	–
23	22	21	20	19	18	17	16
–	–	–	–	–	–	–	–
15	14	13	12	11	10	9	8
FL							
7	6	5	4	3	2	1	0
FL							

FL: Frame Length

Bits 7:0 are multiplied with the previously transmitted frame length (including preamble). Bits 15:8 +1 divide the frame length. If the resulting number is greater than 96 and bit 28 is set in the Network Configuration Register then the resulting number is used for the transmit inter-packet-gap. 1 is added to bits 15:8 to prevent a divide by zero. See [Section 36.6.4 MAC Transmit Block](#).

SAMA5D3 SERIES

36.9.36 GMAC Stacked VLAN Register

Name:GMAC_SVLAN

Address:0xF00280C0

Access: Read/Write

31	30	29	28	27	26	25	24
ESVLAN	–	–	–	–	–	–	–
23	22	21	20	19	18	17	16
–	–	–	–	–	–	–	–
15	14	13	12	11	10	9	8
VLAN_TYPE							
7	6	5	4	3	2	1	0
VLAN_TYPE							

VLAN_TYPE: User Defined VLAN_TYPE Field

User defined VLAN_TYPE field. When Stacked VLAN is enabled, the first VLAN tag in a received frame will only be accepted if the VLAN type field is equal to this user defined VLAN_TYPE, OR equal to the standard VLAN type (0x8100). Note that the second VLAN tag of a Stacked VLAN packet will only be matched correctly if its VLAN_TYPE field equals 0x8100.

ESVLAN: Enable Stacked VLAN Processing Mode

0: Disable the stacked VLAN processing mode

1: Enable the stacked VLAN processing mode

36.9.37 GMAC Transmit PFC Pause Register

Name:GMAC_TPFCP

Address:0xF00280C4

Access: Read/Write

31	30	29	28	27	26	25	24
–	–	–	–	–	–	–	–
23	22	21	20	19	18	17	16
–	–	–	–	–	–	–	–
15	14	13	12	11	10	9	8
PQ							
7	6	5	4	3	2	1	0
PEV							

PEV: Priority Enable Vector

If bit 17 of the Network Control Register is written with a one then the priority enable vector of the PFC priority based pause frame will be set equal to the value stored in this register [7:0].

PQ: Pause Quantum

If bit 17 of the Network Control Register is written with a one then for each entry equal to zero in the Transmit PFC Pause Register[15:8], the PFC pause frame's pause quantum field associated with that entry will be taken from the Transmit Pause Quantum Register. For each entry equal to one in the Transmit PFC Pause Register [15:8], the pause quantum associated with that entry will be zero.

SAMA5D3 SERIES

36.9.38 GMAC Specific Address 1 Mask Bottom Register

Name:GMAC_SAMB1

Address:0xF00280C8

Access: Read/Write

31	30	29	28	27	26	25	24
ADDR							
23	22	21	20	19	18	17	16
ADDR							
15	14	13	12	11	10	9	8
ADDR							
7	6	5	4	3	2	1	0
ADDR							

ADDR: Specific Address 1 Mask

Setting a bit to one masks the corresponding bit in the Specific Address 1 Register.

36.9.39 GMAC Specific Address Mask 1 Top Register

Name:GMAC_SAMT1

Address:0xF00280CC

Access: Read/Write

31	30	29	28	27	26	25	24
–	–	–	–	–	–	–	–
23	22	21	20	19	18	17	16
–	–	–	–	–	–	–	–
15	14	13	12	11	10	9	8
ADDR							
7	6	5	4	3	2	1	0
ADDR							

ADDR: Specific Address 1 Mask

Setting a bit to one masks the corresponding bit in the Specific Address 1 Register.

SAMA5D3 SERIES

36.9.40 GMAC 1588 Timer Nanosecond Comparison Register

Name:GMAC_NSC

Address:0xF00280DC

Access: Read/Write

31	30	29	28	27	26	25	24
–	–	–	–	–	–	–	–
23	22	21	20	19	18	17	16
–	–	NANOSEC					
15	14	13	12	11	10	9	8
NANOSEC							
7	6	5	4	3	2	1	0
NANOSEC							

NANOSEC: 1588 Timer Nanosecond Comparison Value

Value is compared to the bits [45:24] of the TSU timer count value (upper 22 bits of nanosecond value).

36.9.41 GMAC 1588 Timer Second Comparison Low Register

Name:GMAC_SCL

Address:0xF00280E0

Access: Read/Write

31	30	29	28	27	26	25	24
SEC							
23	22	21	20	19	18	17	16
SEC							
15	14	13	12	11	10	9	8
SEC							
7	6	5	4	3	2	1	0
SEC							

SEC: 1588 Timer Second Comparison Value

Value is compared to seconds value bits [31:0] of the TSU timer count value.

SAMA5D3 SERIES

36.9.42 GMAC 1588 Timer Second Comparison High Register

Name:GMAC_SCH

Address:0xF00280E4

Access: Read/Write

31	30	29	28	27	26	25	24
–	–	–	–	–	–	–	–
23	22	21	20	19	18	17	16
–	–	–	–	–	–	–	–
15	14	13	12	11	10	9	8
SEC							
7	6	5	4	3	2	1	0
SEC							

SEC: 1588 Timer Second Comparison Value

Value is compared to the top 16 bits (most significant 16 bits [47:32] of seconds value) of the TSU timer count value.

36.9.43 GMAC PTP Event Frame Transmitted Seconds High Register

Name: GMAC_EFTSH

Address: 0xF00280E8

Access: Read-only

31	30	29	28	27	26	25	24
–	–	–	–	–	–	–	–
23	22	21	20	19	18	17	16
–	–	–	–	–	–	–	–
15	14	13	12	11	10	9	8
RUD							
7	6	5	4	3	2	1	0
RUD							

RUD: Register Update

The register is updated with the value that the 1588 timer seconds register held when the SFD of a PTP transmit primary event crosses the MII interface. An interrupt is issued when the register is updated.

SAMA5D3 SERIES

36.9.44 GMAC PTP Event Frame Received Seconds High Register

Name: GMAC_EFRSH

Address: 0xF00280EC

Access: Read-only

31	30	29	28	27	26	25	24
–	–	–	–	–	–	–	–
23	22	21	20	19	18	17	16
–	–	–	–	–	–	–	–
15	14	13	12	11	10	9	8
RUD							
7	6	5	4	3	2	1	0
RUD							

RUD: Register Update

The register is updated with the value that the 1588 timer seconds register held when the SFD of a PTP transmit primary event crosses the MII interface. An interrupt is issued when the register is updated.

36.9.45 GMAC PTP Peer Event Frame Transmitted Seconds High Register

Name: GMAC_PEFTSH

Address: 0xF00280F0

Access: Read-only

31	30	29	28	27	26	25	24
–	–	–	–	–	–	–	–
23	22	21	20	19	18	17	16
–	–	–	–	–	–	–	–
15	14	13	12	11	10	9	8
RUD							
7	6	5	4	3	2	1	0
RUD							

RUD: Register Update

The register is updated with the value that the 1588 timer seconds register held when the SFD of a PTP transmit peer event crosses the MII interface. An interrupt is issued when the register is updated.

SAMA5D3 SERIES

36.9.46 GMAC PTP Peer Event Frame Received Seconds High Register

Name: GMAC_PEFRRSH

Address: 0xF00280F4

Access: Read-only

31	30	29	28	27	26	25	24
–	–	–	–	–	–	–	–
23	22	21	20	19	18	17	16
–	–	–	–	–	–	–	–
15	14	13	12	11	10	9	8
RUD							
7	6	5	4	3	2	1	0
RUD							

RUD: Register Update

The register is updated with the value that the 1588 timer seconds register held when the SFD of a PTP transmit peer event crosses the MII interface. An interrupt is issued when the register is updated.

36.9.47 GMAC Octets Transmitted Low Register

Name:GMAC_OTLO

Address:0xF0028100

Access: Read-only



When reading the Octets Transmitted and Octets Received Registers, bits 31:0 should be read prior to bits 47:32 to ensure reliable operation.

TXO: Transmitted Octets

Transmitted octets in frame without errors [31:0]. The number of octets transmitted in valid frames of any type. This counter is 48-bits, and is read through two registers. This count does not include octets from automatically generated pause frames.

SAMA5D3 SERIES

36.9.48 GMAC Octets Transmitted High Register

Name:GMAC_OTH1

Address:0xF0028104

Access: Read-only

31	30	29	28	27	26	25	24
–	–	–	–	–	–	–	–
23	22	21	20	19	18	17	16
–	–	–	–	–	–	–	–
15	14	13	12	11	10	9	8
TXO							
7	6	5	4	3	2	1	0
TXO							

When reading the Octets Transmitted and Octets Received Registers, bits 31:0 should be read prior to bits 47:32 to ensure reliable operation.

TXO: Transmitted Octets

Transmitted octets in frame without errors [47:32]. The number of octets transmitted in valid frames of any type. This counter is 48-bits, and is read through two registers. This count does not include octets from automatically generated pause frames.

36.9.49 GMAC Frames Transmitted Register

Name:GMAC_FT

Address:0xF0028108

Access: Read-only

31	30	29	28	27	26	25	24
FTX							
23	22	21	20	19	18	17	16
FTX							
15	14	13	12	11	10	9	8
FTX							
7	6	5	4	3	2	1	0
FTX							

FTX: Frames Transmitted without Error

Frames transmitted without error. This register counts the number of frames successfully transmitted, i.e., no underrun and not too many retries. Excludes pause frames.

SAMA5D3 SERIES

36.9.50 GMAC Broadcast Frames Transmitted Register

Name:GMAC_BCFT

Address:0xF002810C

Access: Read-only

31	30	29	28	27	26	25	24
BFTX							
23	22	21	20	19	18	17	16
BFTX							
15	14	13	12	11	10	9	8
BFTX							
7	6	5	4	3	2	1	0
BFTX							

BFTX: Broadcast Frames Transmitted without Error

Broadcast frames transmitted without error. This register counts the number of broadcast frames successfully transmitted without error, i.e., no underrun and not too many retries. Excludes pause frames.

36.9.51 GMAC Multicast Frames Transmitted Register

Name:GMAC_MFT

Address:0xF0028110

Access: Read-only

31	30	29	28	27	26	25	24
MFTX							
23	22	21	20	19	18	17	16
MFTX							
15	14	13	12	11	10	9	8
MFTX							
7	6	5	4	3	2	1	0
MFTX							

MFTX: Multicast Frames Transmitted without Error

This register counts the number of multicast frames successfully transmitted without error, i.e., no underrun and not too many retries. Excludes pause frames.

SAMA5D3 SERIES

36.9.52 GMAC Pause Frames Transmitted Register

Name:GMAC_PFT

Address:0xF0028114

Access: Read-only

31	30	29	28	27	26	25	24
–	–	–	–	–	–	–	–
23	22	21	20	19	18	17	16
–	–	–	–	–	–	–	–
15	14	13	12	11	10	9	8
PFTX							
7	6	5	4	3	2	1	0
PFTX							

PFTX: Pause Frames Transmitted Register

This register counts the number of pause frames transmitted. Only pause frames triggered by the register interface or through the external pause pins are counted as pause frames. Pause frames received through the FIFO interface are counted in the frames transmitted counter.

36.9.53 GMAC 64 Byte Frames Transmitted Register

Name:GMAC_BFT64

Address:0xF0028118

Access: Read-only

31	30	29	28	27	26	25	24
NFTX							
23	22	21	20	19	18	17	16
NFTX							
15	14	13	12	11	10	9	8
NFTX							
7	6	5	4	3	2	1	0
NFTX							

NFTX: 64 Byte Frames Transmitted without Error

This register counts the number of 64 byte frames successfully transmitted without error, i.e., no underrun and not too many retries. Excludes pause frames.

SAMA5D3 SERIES

36.9.54 GMAC 65 to 127 Byte Frames Transmitted Register

Name:GMAC_TBFT127

Address:0xF002811C

Access: Read-only

31	30	29	28	27	26	25	24
NFTX							
23	22	21	20	19	18	17	16
NFTX							
15	14	13	12	11	10	9	8
NFTX							
7	6	5	4	3	2	1	0
NFTX							

NFTX: 65 to 127 Byte Frames Transmitted without Error

This register counts the number of 65 to 127 byte frames successfully transmitted without error, i.e., no underrun and not too many retries. Excludes pause frames.

36.9.55 GMAC 128 to 255 Byte Frames Transmitted Register

Name:GMAC_TBFT255

Address:0xF0028120

Access: Read-only

31	30	29	28	27	26	25	24
NFTX							
23	22	21	20	19	18	17	16
NFTX							
15	14	13	12	11	10	9	8
NFTX							
7	6	5	4	3	2	1	0
NFTX							

NFTX: 128 to 255 Byte Frames Transmitted without Error

This register counts the number of 128 to 255 byte frames successfully transmitted without error, i.e., no underrun and not too many retries.

SAMA5D3 SERIES

36.9.56 GMAC 256 to 511 Byte Frames Transmitted Register

Name:GMAC_TBFT511

Address:0xF0028124

Access: Read-only

31	30	29	28	27	26	25	24
NFTX							
23	22	21	20	19	18	17	16
NFTX							
15	14	13	12	11	10	9	8
NFTX							
7	6	5	4	3	2	1	0
NFTX							

NFTX: 256 to 511 Byte Frames Transmitted without Error

This register counts the number of 256 to 511 byte frames successfully transmitted without error, i.e., no underrun and not too many retries.

36.9.57 GMAC 512 to 1023 Byte Frames Transmitted Register

Name:GMAC_TBFT1023

Address:0xF0028128

Access: Read-only

31	30	29	28	27	26	25	24
NFTX							
23	22	21	20	19	18	17	16
NFTX							
15	14	13	12	11	10	9	8
NFTX							
7	6	5	4	3	2	1	0
NFTX							

NFTX: 512 to 1023 Byte Frames Transmitted without Error

This register counts the number of 512 to 1023 byte frames successfully transmitted without error, i.e., no underrun and not too many retries.

SAMA5D3 SERIES

36.9.58 GMAC 1024 to 1518 Byte Frames Transmitted Register

Name:GMAC_TBFT1518

Address:0xF002812C

Access: Read-only

31	30	29	28	27	26	25	24
NFTX							
23	22	21	20	19	18	17	16
NFTX							
15	14	13	12	11	10	9	8
NFTX							
7	6	5	4	3	2	1	0
NFTX							

NFTX: 1024 to 1518 Byte Frames Transmitted without Error

This register counts the number of 1024 to 1518 byte frames successfully transmitted without error, i.e., no underrun and not too many retries.

36.9.59 GMAC Greater Than 1518 Byte Frames Transmitted Register

Name:GMAC_GTBFT1518

Address:0xF0028130

Access: Read-only

31	30	29	28	27	26	25	24
NFTX							
23	22	21	20	19	18	17	16
NFTX							
15	14	13	12	11	10	9	8
NFTX							
7	6	5	4	3	2	1	0
NFTX							

NFTX: Greater than 1518 Byte Frames Transmitted without Error

This register counts the number of 1518 or above byte frames successfully transmitted without error i.e., no underrun and not too many retries.

SAMA5D3 SERIES

36.9.60 GMAC Transmit Underruns Register

Name:GMAC_TUR

Address:0xF0028134

Access: Read-only

31	30	29	28	27	26	25	24
–	–	–	–	–	–	–	–
23	22	21	20	19	18	17	16
–	–	–	–	–	–	–	–
15	14	13	12	11	10	9	8
–	–	–	–	–	–	TXUNR	
7	6	5	4	3	2	1	0
TXUNR							

TXUNR: Transmit Underruns

This register counts the number of frames not transmitted due to a transmit underrun. If this register is incremented then no other statistics register is incremented.

36.9.61 GMAC Single Collision Frames Register

Name:GMAC_SCF

Address:0xF0028138

Access: Read-only

31	30	29	28	27	26	25	24
–	–	–	–	–	–	–	–
23	22	21	20	19	18	17	16
–	–	–	–	–	–	SCOL	
15	14	13	12	11	10	9	8
SCOL							
7	6	5	4	3	2	1	0
SCOL							

SCOL: Single Collision

This register counts the number of frames experiencing a single collision before being successfully transmitted i.e., no underrun.

SAMA5D3 SERIES

36.9.62 GMAC Multiple Collision Frames Register

Name:GMAC_MCF

Address:0xF002813C

Access: Read-only

31	30	29	28	27	26	25	24
–	–	–	–	–	–	–	–
23	22	21	20	19	18	17	16
–	–	–	–	–	–	MCOL	
15	14	13	12	11	10	9	8
MCOL							
7	6	5	4	3	2	1	0
MCOL							

MCOL: Multiple Collision

This register counts the number of frames experiencing between two and fifteen collisions prior to being successfully transmitted, i.e., no underrun and not too many retries.

36.9.63 GMAC Excessive Collisions Register

Name:GMAC_EC

Address:0xF0028140

Access: Read-only

31	30	29	28	27	26	25	24
–	–	–	–	–	–	–	–
23	22	21	20	19	18	17	16
–	–	–	–	–	–	–	–
15	14	13	12	11	10	9	8
–	–	–	–	–	–	XCOL	
7	6	5	4	3	2	1	0
XCOL							

XCOL: Excessive Collisions

This register counts the number of frames that failed to be transmitted because they experienced 16 collisions.

SAMA5D3 SERIES

36.9.64 GMAC Late Collisions Register

Name:GMAC_LC

Address:0xF0028144

Access: Read-only

31	30	29	28	27	26	25	24
–	–	–	–	–	–	–	–
23	22	21	20	19	18	17	16
–	–	–	–	–	–	–	–
15	14	13	12	11	10	9	8
–	–	–	–	–	–	LCOL	
7	6	5	4	3	2	1	0
LCOL							

LCOL: Late Collisions

This register counts the number of late collisions occurring after the slot time (512 bits) has expired. In 10/100 mode, late collisions are counted twice i.e., both as a collision and a late collision. In gigabit mode, a late collision causes the transmission to be aborted, thus the single and multi collision registers are not updated.

36.9.65 GMAC Deferred Transmission Frames Register

Name:GMAC_DTF

Address:0xF0028148

Access: Read-only

31	30	29	28	27	26	25	24
–	–	–	–	–	–	–	–
23	22	21	20	19	18	17	16
–	–	–	–	–	–	DEFT	
15	14	13	12	11	10	9	8
DEFT							
7	6	5	4	3	2	1	0
DEFT							

DEFT: Deferred Transmission

This register counts the number of frames experiencing deferral due to carrier sense being active on their first attempt at transmission. Frames involved in any collision are not counted nor are frames that experienced a transmit underrun.

SAMA5D3 SERIES

36.9.66 GMAC Carrier Sense Errors Register

Name:GMAC_CSE

Address:0xF002814C

Access: Read-only

31	30	29	28	27	26	25	24
–	–	–	–	–	–	–	–
23	22	21	20	19	18	17	16
–	–	–	–	–	–	–	–
15	14	13	12	11	10	9	8
–	–	–	–	–	–	CSR	
7	6	5	4	3	2	1	0
CSR							

CSR: Carrier Sense Error

This register counts the number of frames transmitted where carrier sense was not seen during transmission or where carrier sense was deasserted after being asserted in a transmit frame without collision (no underrun). Only incremented in half duplex mode. The only effect of a carrier sense error is to increment this register. The behavior of the other statistics registers is unaffected by the detection of a carrier sense error.

36.9.67 GMAC Octets Received Low Register

Name:GMAC_ORLO

Address:0xF0028150

Access: Read-only

31	30	29	28	27	26	25	24
RXO							
23	22	21	20	19	18	17	16
RXO							
15	14	13	12	11	10	9	8
RXO							
7	6	5	4	3	2	1	0
RXO							

When reading the Octets Transmitted and Octets Received Registers, bits [31:0] should be read prior to bits [47:32] to ensure reliable operation.

RXO: Received Octets

Received octets in frame without errors [31:0]. The number of octets received in valid frames of any type. This counter is 48-bits and is read through two registers. This count does not include octets from pause frames, and is only incremented if the frame is successfully filtered and copied to memory.

SAMA5D3 SERIES

36.9.68 GMAC Octets Received High Register

Name:GMAC_ORHI

Address:0xF0028154

Access: Read-only

31	30	29	28	27	26	25	24
–	–	–	–	–	–	–	–
23	22	21	20	19	18	17	16
–	–	–	–	–	–	–	–
15	14	13	12	11	10	9	8
RXO							
7	6	5	4	3	2	1	0
RXO							

When reading the Octets Transmitted and Octets Received Registers, bits 31:0 should be read prior to bits 47:32 to ensure reliable operation.

RXO: Received Octets

Received octets in frame without errors [47:32]. The number of octets received in valid frames of any type. This counter is 48-bits and is read through two registers. This count does not include octets from pause frames, and is only incremented if the frame is successfully filtered and copied to memory.

36.9.69 GMAC Frames Received Register

Name:GMAC_FR

Address:0xF0028158

Access: Read-only

31	30	29	28	27	26	25	24
FRX							
23	22	21	20	19	18	17	16
FRX							
15	14	13	12	11	10	9	8
FRX							
7	6	5	4	3	2	1	0
FRX							

FRX: Frames Received without Error

Frames received without error. This register counts the number of frames successfully received. Excludes pause frames, and is only incremented if the frame is successfully filtered and copied to memory.

SAMA5D3 SERIES

36.9.70 GMAC Broadcast Frames Received Register

Name:GMAC_BCFR

Address:0xF002815C

Access: Read-only

31	30	29	28	27	26	25	24
BFRX							
23	22	21	20	19	18	17	16
BFRX							
15	14	13	12	11	10	9	8
BFRX							
7	6	5	4	3	2	1	0
BFRX							

BFRX: Broadcast Frames Received without Error

Broadcast frames received without error. This register counts the number of broadcast frames successfully received. Excludes pause frames, and is only incremented if the frame is successfully filtered and copied to memory.

36.9.71 GMAC Multicast Frames Received Register

Name:GMAC_MFR

Address:0xF0028160

Access: Read-only

31	30	29	28	27	26	25	24
MFRX							
23	22	21	20	19	18	17	16
MFRX							
15	14	13	12	11	10	9	8
MFRX							
7	6	5	4	3	2	1	0
MFRX							

MFRX: Multicast Frames Received without Error

This register counts the number of multicast frames successfully received without error. Excludes pause frames, and is only incremented if the frame is successfully filtered and copied to memory.

SAMA5D3 SERIES

36.9.72 GMAC Pause Frames Received Register

Name:GMAC_PFR

Address:0xF0028164

Access: Read-only

31	30	29	28	27	26	25	24
–	–	–	–	–	–	–	–
23	22	21	20	19	18	17	16
–	–	–	–	–	–	–	–
15	14	13	12	11	10	9	8
PFRX							
7	6	5	4	3	2	1	0
PFRX							

PFRX: Pause Frames Received Register

This register counts the number of pause frames received without error.

36.9.73 GMAC 64 Byte Frames Received Register

Name:GMAC_BFR64

Address:0xF0028168

Access: Read-only

31	30	29	28	27	26	25	24
NFRX							
23	22	21	20	19	18	17	16
NFRX							
15	14	13	12	11	10	9	8
NFRX							
7	6	5	4	3	2	1	0
NFRX							

NFRX: 64 Byte Frames Received without Error

This register counts the number of 64 byte frames successfully received without error. Excludes pause frames, and is only incremented if the frame is successfully filtered and copied to memory.

SAMA5D3 SERIES

36.9.74 GMAC 65 to 127 Byte Frames Received Register

Name:GMAC_TBFR127

Address:0xF002816C

Access: Read-only

31	30	29	28	27	26	25	24
NFRX							
23	22	21	20	19	18	17	16
NFRX							
15	14	13	12	11	10	9	8
NFRX							
7	6	5	4	3	2	1	0
NFRX							

NFRX: 65 to 127 Byte Frames Received without Error

This register counts the number of 65 to 127 byte frames successfully received without error. Excludes pause frames, and is only incremented if the frame is successfully filtered and copied to memory.

36.9.75 GMAC 128 to 255 Byte Frames Received Register

Name:GMAC_TBFR255

Address:0xF0028170

Access: Read-only

31	30	29	28	27	26	25	24
NFRX							
23	22	21	20	19	18	17	16
NFRX							
15	14	13	12	11	10	9	8
NFRX							
7	6	5	4	3	2	1	0
NFRX							

NFRX: 128 to 255 Byte Frames Received without Error

This register counts the number of 128 to 255 byte frames successfully received without error. Excludes pause frames, and is only incremented if the frame is successfully filtered and copied to memory.

SAMA5D3 SERIES

36.9.76 GMAC 256 to 511 Byte Frames Received Register

Name:GMAC_TBFR511

Address:0xF0028174

Access: Read-only

31	30	29	28	27	26	25	24
NFRX							
23	22	21	20	19	18	17	16
NFRX							
15	14	13	12	11	10	9	8
NFRX							
7	6	5	4	3	2	1	0
NFRX							

NFRX: 256 to 511 Byte Frames Received without Error

This register counts the number of 256 to 511 byte frames successfully received without error. Excludes pause frames, and is only incremented if the frame is successfully filtered and copied to memory.

36.9.77 GMAC 512 to 1023 Byte Frames Received Register

Name:GMAC_TBFR1023

Address:0xF0028178

Access: Read-only

31	30	29	28	27	26	25	24
NFRX							
23	22	21	20	19	18	17	16
NFRX							
15	14	13	12	11	10	9	8
NFRX							
7	6	5	4	3	2	1	0
NFRX							

NFRX: 512 to 1023 Byte Frames Received without Error

This register counts the number of 512 to 1023 byte frames successfully received without error. Excludes pause frames, and is only incremented if the frame is successfully filtered and copied to memory.

SAMA5D3 SERIES

36.9.78 GMAC 1024 to 1518 Byte Frames Received Register

Name:GMAC_TBFR1518

Address:0xF002817C

Access: Read-only

31	30	29	28	27	26	25	24
NFRX							
23	22	21	20	19	18	17	16
NFRX							
15	14	13	12	11	10	9	8
NFRX							
7	6	5	4	3	2	1	0
NFRX							

NFRX: 1024 to 1518 Byte Frames Received without Error

This register counts the number of 1024 to 1518 byte frames successfully received without error, i.e., no underrun and not too many retries.

36.9.79 GMAC 1519 to Maximum Byte Frames Received Register

Name:GMAC_TMXBFR

Address:0xF0028180

Access: Read-only

31	30	29	28	27	26	25	24
NFRX							
23	22	21	20	19	18	17	16
NFRX							
15	14	13	12	11	10	9	8
NFRX							
7	6	5	4	3	2	1	0
NFRX							

NFRX: 1519 to Maximum Byte Frames Received without Error

This register counts the number of 1519 byte or above frames successfully received without error. Maximum frame size is determined by the Network Configuration Register bit 8 (1536 maximum frame size) or bit 3 (jumbo frame size). Excludes pause frames, and is only incremented if the frame is successfully filtered and copied to memory. See [Section 36.9.2 GMAC Network Configuration Register](#).

SAMA5D3 SERIES

36.9.80 GMAC Undersized Frames Received Register

Name:GMAC_UFR

Address:0xF0028184

Access: Read-only

31	30	29	28	27	26	25	24
–	–	–	–	–	–	–	–
23	22	21	20	19	18	17	16
–	–	–	–	–	–	–	–
15	14	13	12	11	10	9	8
–	–	–	–	–	–	UFRX	
7	6	5	4	3	2	1	0
UFRX							

UFRX: Undersize Frames Received

This register counts the number of frames received less than 64 bytes in length (10/100 mode or gigabit mode, full duplex) that do not have either a CRC error or an alignment error. In gigabit mode, half duplex, this register counts either frames not conforming to the minimum slot time of 512 bytes or frames not conforming to the minimum frame size once bursting is active.

36.9.81 GMAC Oversized Frames Received Register

Name:GMAC_OFR

Address:0xF0028188

Access: Read-only

31	30	29	28	27	26	25	24
–	–	–	–	–	–	–	–
23	22	21	20	19	18	17	16
–	–	–	–	–	–	–	–
15	14	13	12	11	10	9	8
–	–	–	–	–	–	OFRX	
7	6	5	4	3	2	1	0
OFRX							

OFRX: Oversized Frames Received

This register counts the number of frames received exceeding 1518 bytes (1536 bytes if bit 8 is set in the Network Configuration Register, 10240 bytes if bit 3 is set in the Network Configuration Register) in length but do not have either a CRC error, an alignment error nor a receive symbol error. See [Section 36.9.2 GMAC Network Configuration Register](#).

SAMA5D3 SERIES

36.9.82 GMAC Jabbers Received Register

Name:GMAC_JR

Address:0xF002818C

Access: Read-only

31	30	29	28	27	26	25	24
–	–	–	–	–	–	–	–
23	22	21	20	19	18	17	16
–	–	–	–	–	–	–	–
15	14	13	12	11	10	9	8
–	–	–	–	–	–	JRX	
7	6	5	4	3	2	1	0
JRX							

JRX: Jabbers Received

The register counts the number of frames received exceeding 1518 bytes in length (1536 if bit 8 is set in Network Configuration Register, 10240 bytes if bit 3 is set in the Network Configuration Register) and have either a CRC error, an alignment error or a receive symbol error. See [Section 36.9.2 GMAC Network Configuration Register](#).

36.9.83 GMAC Frame Check Sequence Errors Register

Name:GMAC_FCSE

Address:0xF0028190

Access: Read-only

31	30	29	28	27	26	25	24
–	–	–	–	–	–	–	–
23	22	21	20	19	18	17	16
–	–	–	–	–	–	–	–
15	14	13	12	11	10	9	8
–	–	–	–	–	–	FCKR	
7	6	5	4	3	2	1	0
FCKR							

FCKR: Frame Check Sequence Errors

The register counts frames that are an integral number of bytes, have bad CRC and are between 64 and 1518 bytes in length (1536 if bit 8 is set in Network Configuration Register, 10240 bytes if bit 3 is set in the Network Configuration Register). This register is also incremented if a symbol error is detected and the frame is of valid length and has an integral number of bytes.

This register is incremented for a frame with bad FCS, regardless of whether it is copied to memory due to ignore FCS mode being enabled in bit 26 of the Network Configuration Register. See [Section 36.9.2 GMAC Network Configuration Register](#).

SAMA5D3 SERIES

36.9.84 GMAC Length Field Frame Errors Register

Name:GMAC_LFFE

Address:0xF0028194

Access: Read-only

31	30	29	28	27	26	25	24
–	–	–	–	–	–	–	–
23	22	21	20	19	18	17	16
–	–	–	–	–	–	–	–
15	14	13	12	11	10	9	8
–	–	–	–	–	–	LFFER	
7	6	5	4	3	2	1	0
LFFER							

LFFER: Length Field Frame Errors

This register counts the number of frames received that have a measured length shorter than that extracted from the length field (bytes 13 and 14). This condition is only counted if the value of the length field is less than 0x0600, the frame is not of excessive length and checking is enabled through bit 16 of the Network Configuration Register. See [Section 36.9.2 GMAC Network Configuration Register](#).

36.9.85 GMAC Receive Symbol Errors Register

Name:GMAC_RSE

Address:0xF0028198

Access: Read-only

31	30	29	28	27	26	25	24
–	–	–	–	–	–	–	–
23	22	21	20	19	18	17	16
–	–	–	–	–	–	–	–
15	14	13	12	11	10	9	8
–	–	–	–	–	–	RXSE	
7	6	5	4	3	2	1	0
RXSE							

RXSE: Receive Symbol Errors

This register counts the number of frames that had GRXER asserted during reception. For 10/100 mode symbol errors are counted regardless of frame length checks. For gigabit mode the frame must satisfy slot time requirements in order to count a symbol error. Additionally, in gigabit half duplex mode, carrier extension errors are also recorded. Receive symbol errors will also be counted as an FCS or alignment error if the frame is between 64 and 1518 bytes (1536 bytes if bit 8 is set in the Network Configuration Register, 10240 bytes if bit 3 is set in the Network Configuration Register). If the frame is larger it will be recorded as a jabber error. See [Section 36.9.2 GMAC Network Configuration Register](#).

SAMA5D3 SERIES

36.9.86 GMAC Alignment Errors Register

Name:GMAC_AE

Address:0xF002819C

Access: Read-only

31	30	29	28	27	26	25	24
–	–	–	–	–	–	–	–
23	22	21	20	19	18	17	16
–	–	–	–	–	–	–	–
15	14	13	12	11	10	9	8
–	–	–	–	–	–	AER	
7	6	5	4	3	2	1	0
AER							

AER: Alignment Errors

This register counts the frames that are not an integral number of bytes long and have bad CRC when their length is truncated to an integral number of bytes and are between 64 and 1518 bytes in length (1536 if bit 8 is set in Network Configuration Register, 10240 bytes if bit 3 is set in the Network Configuration Register). This register is also incremented if a symbol error is detected and the frame is of valid length and does not have an integral number of bytes. See [Section 36.9.2 GMAC Network Configuration Register](#).

36.9.87 GMAC Receive Resource Errors Register

Name:GMAC_RRE

Address:0xF00281A0

Access: Read-only

31	30	29	28	27	26	25	24
–	–	–	–	–	–	–	–
23	22	21	20	19	18	17	16
–	–	–	–	–	–	RXRER	
15	14	13	12	11	10	9	8
RXRER							
7	6	5	4	3	2	1	0
RXRER							

RXRER: Receive Resource Errors

This register counts frames that are not an integral number of bytes long and have bad CRC when their length is truncated to an integral number of bytes and are between 64 and 1518 bytes in length (1536 if bit 8 is set in Network Configuration Register, 10240 bytes if bit 3 is set in the Network Configuration Register). This register is also incremented if a symbol error is detected and the frame is of valid length and does not have an integral number of bytes. See [Section 36.9.2 GMAC Network Configuration Register](#).

SAMA5D3 SERIES

36.9.88 GMAC Receive Overruns Register

Name:GMAC_ROE

Address:0xF00281A4

Access: Read-only

31	30	29	28	27	26	25	24
–	–	–	–	–	–	–	–
23	22	21	20	19	18	17	16
–	–	–	–	–	–	–	–
15	14	13	12	11	10	9	8
–	–	–	–	–	–	RXOVR	
7	6	5	4	3	2	1	0
RXOVR							

RXOVR: Receive Overruns

This register counts the number of frames that are address recognized but were not copied to memory due to a receive overrun.

36.9.89 GMAC IP Header Checksum Errors Register

Name:GMAC_IHCE

Address:0xF00281A8

Access: Read-only

31	30	29	28	27	26	25	24
–	–	–	–	–	–	–	–
23	22	21	20	19	18	17	16
–	–	–	–	–	–	–	–
15	14	13	12	11	10	9	8
–	–	–	–	–	–	–	–
7	6	5	4	3	2	1	0
HCKER							

HCKER: IP Header Checksum Errors

This register counts the number of frames discarded due to an incorrect IP header checksum, but are between 64 and 1518 bytes (1536 bytes if bit 8 is set in the Network Configuration Register or 10240 bytes if bit 3 is set in the Network Configuration Register) and do not have a CRC error, an alignment error, nor a symbol error.

SAMA5D3 SERIES

36.9.90 GMAC TCP Checksum Errors Register

Name:GMAC_TCE

Address:0xF00281AC

Access: Read-only

31	30	29	28	27	26	25	24
–	–	–	–	–	–	–	–
23	22	21	20	19	18	17	16
–	–	–	–	–	–	–	–
15	14	13	12	11	10	9	8
–	–	–	–	–	–	–	–
7	6	5	4	3	2	1	0
TCKER							

TCKER: TCP Checksum Errors

This register counts the number of frames discarded due to an incorrect TCP checksum, but are between 64 and 1518 bytes (1536 bytes if bit 8 is set in the Network Configuration Register or 10240 bytes if bit 3 is set in the Network Configuration Register) and do not have a CRC error, an alignment error, nor a symbol error.

36.9.91 GMAC UDP Checksum Errors Register

Name:GMAC_UCE

Address:0xF00281B0

Access: Read-only

31	30	29	28	27	26	25	24
–	–	–	–	–	–	–	–
23	22	21	20	19	18	17	16
–	–	–	–	–	–	–	–
15	14	13	12	11	10	9	8
–	–	–	–	–	–	–	–
7	6	5	4	3	2	1	0
UCKER							

UCKER: UDP Checksum Errors

This register counts the number of frames discarded due to an incorrect UDP checksum, but are between 64 and 1518 bytes (1536 bytes if bit 8 is set in the Network Configuration Register or 10240 bytes if bit 3 is set in the Network Configuration Register) and do not have a CRC error, an alignment error, nor a symbol error.

SAMA5D3 SERIES

36.9.92 GMAC 1588 Timer Increment Sub-nanoseconds Register

Name:GMAC_TISUBN

Address:0xF00281BC

Access: Read/Write

31	30	29	28	27	26	25	24
–	–	–	–	–	–	–	–
23	22	21	20	19	18	17	16
–	–	–	–	–	–	–	–
15	14	13	12	11	10	9	8
LSBTIR							
7	6	5	4	3	2	1	0
LSBTIR							

LSBTIR: Lower Significant Bits of Timer Increment Register

Lower significant bits of Timer Increment Register[15:0] giving a 24-bit timer_increment counter. These bits are the sub-ns value which the 1588 timer will be incremented each clock cycle. Bit $n = 2^{(n-16)}$ nsec giving a resolution of approximately $15.2E^{-15}$ sec.

36.9.93 GMAC 1588 Timer Seconds High Register

Name:GMAC_TSH

Address:0xF00281C0

Access: Read/Write

31	30	29	28	27	26	25	24
–	–	–	–	–	–	–	–
23	22	21	20	19	18	17	16
–	–	–	–	–	–	–	–
15	14	13	12	11	10	9	8
TCS							
7	6	5	4	3	2	1	0
TCS							

TCS: Timer Count in Seconds

This register is writable. It increments by one when the 1588 nanoseconds counter counts to one second. It may also be incremented when the Timer Adjust Register is written.

SAMA5D3 SERIES

36.9.94 GMAC 1588 Timer Seconds Low Register

Name:GMAC_TSL

Address:0xF00281D0

Access: Read/Write

31	30	29	28	27	26	25	24
TCS							
23	22	21	20	19	18	17	16
TCS							
15	14	13	12	11	10	9	8
TCS							
7	6	5	4	3	2	1	0
TCS							

TCS: Timer Count in Seconds

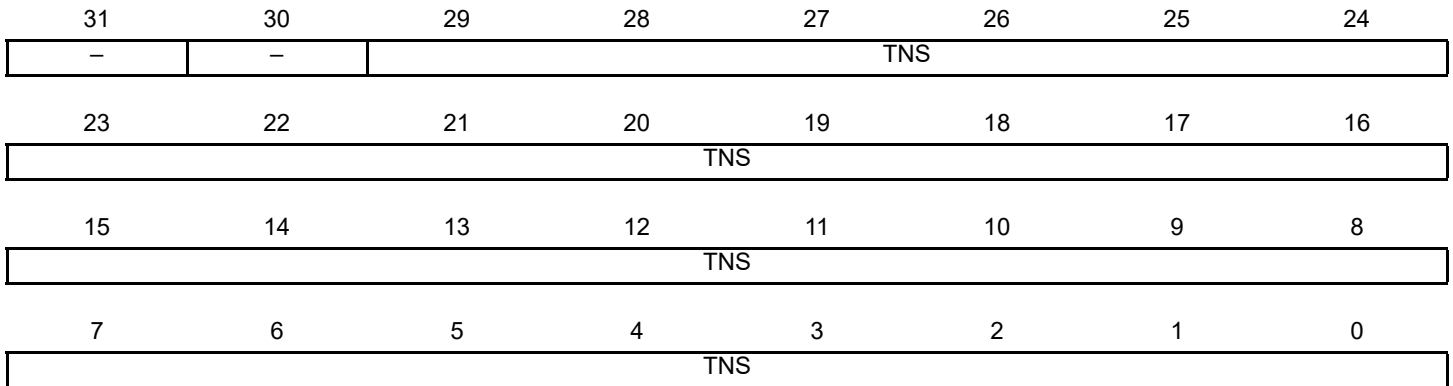
This register is writable. It increments by one when the 1588 nanoseconds counter counts to one second. It may also be incremented when the Timer Adjust Register is written.

36.9.95 GMAC 1588 Timer Nanoseconds Register

Name:GMAC_TN

Address:0xF00281D4

Access: Read/Write



TNS: Timer Count in Nanoseconds

This register is writable. It can also be adjusted by writes to the 1588 Timer Adjust Register. It increments by the value of the 1588 Timer Increment Register each clock cycle.

SAMA5D3 SERIES

36.9.96 GMAC 1588 Timer Adjust Register

Name:GMAC_TA

Address:0xF00281D8

Access: Write-only

31	30	29	28	27	26	25	24
ADJ	-	ITDT					
23	22	21	20	19	18	17	16
ITDT							
15	14	13	12	11	10	9	8
ITDT							
7	6	5	4	3	2	1	0
ITDT							

ITDT: Increment/Decrement

The number of nanoseconds to increment or decrement the 1588 Timer Nanoseconds Register. If necessary, the 1588 Seconds Register will be incremented or decremented.

ADJ: Adjust 1588 Timer

Write as one to subtract from the 1588 timer. Write as zero to add to it.

36.9.97 GMAC 1588 Timer Increment Register

Name:GMAC_TI

Address:0xF00281DC

Access: Read/Write

31	30	29	28	27	26	25	24
-	-	-	-	-	-	-	-
23	22	21	20	19	18	17	16
NIT							
15	14	13	12	11	10	9	8
ACNS							
7	6	5	4	3	2	1	0
CNS							

CNS: Count Nanoseconds

A count of nanoseconds by which the 1588 Timer Nanoseconds Register will be incremented each clock cycle.

ACNS: Alternative Count Nanoseconds

Alternative count of nanoseconds by which the 1588 Timer Nanoseconds Register will be incremented each clock cycle.

NIT: Number of Increments

The number of increments after which the alternative increment is used.

SAMA5D3 SERIES

36.9.98 GMAC PTP Event Frame Transmitted Seconds Low Register

Name:GMAC_EFTSL

Address:0xF00281E0

Access: Read-only

31	30	29	28	27	26	25	24
RUD							
23	22	21	20	19	18	17	16
RUD							
15	14	13	12	11	10	9	8
RUD							
7	6	5	4	3	2	1	0
RUD							

RUD: Register Update

The register is updated with the value that the 1588 Timer Seconds Register holds when the SFD of a PTP transmit primary event crosses the MII interface. An interrupt is issued when the register is updated.

36.9.99 GMAC PTP Event Frame Transmitted Nanoseconds Register

Name:GMAC_EFTN

Address:0xF00281E4

Access: Read-only

31	30	29	28	27	26	25	24
-	-	RUD					
23	22	21	20	19	18	17	16
RUD							
15	14	13	12	11	10	9	8
RUD							
7	6	5	4	3	2	1	0
RUD							

RUD: Register Update

The register is updated with the value that the 1588 Timer Nanoseconds Register holds when the SFD of a PTP transmit primary event crosses the MII interface. An interrupt is issued when the register is updated.

SAMA5D3 SERIES

36.9.100 GMAC PTP Event Frame Received Seconds Low Register

Name:GMAC_EFRSL

Address:0xF00281E8

Access: Read-only

31	30	29	28	27	26	25	24
RUD							
23	22	21	20	19	18	17	16
RUD							
15	14	13	12	11	10	9	8
RUD							
7	6	5	4	3	2	1	0
RUD							

RUD: Register Update

The register is updated with the value that the 1588 Timer Seconds Register holds when the SFD of a PTP receive primary event crosses the MII interface. An interrupt is issued when the register is updated.

36.9.101 GMAC PTP Event Frame Received Nanoseconds Register

Name:GMAC_EFRN

Address:0xF00281EC

Access: Read-only

31	30	29	28	27	26	25	24
-	-	RUD					
23	22	21	20	19	18	17	16
RUD							
15	14	13	12	11	10	9	8
RUD							
7	6	5	4	3	2	1	0
RUD							

RUD: Register Update

The register is updated with the value that the 1588 Timer Nanoseconds Register holds when the SFD of a PTP receive primary event crosses the MII interface. An interrupt is issued when the register is updated.

SAMA5D3 SERIES

36.9.102 GMAC PTP Peer Event Frame Transmitted Seconds Low Register

Name:GMAC_PEFTSL

Address:0xF00281F0

Access: Read-only

31	30	29	28	27	26	25	24
RUD							
23	22	21	20	19	18	17	16
RUD							
15	14	13	12	11	10	9	8
RUD							
7	6	5	4	3	2	1	0
RUD							

RUD: Register Update

The register is updated with the value that the 1588 Timer Seconds Register holds when the SFD of a PTP transmit peer event crosses the MII interface. An interrupt is issued when the register is updated.

36.9.103 GMAC PTP Peer Event Frame Transmitted Nanoseconds Register

Name:GMAC_PEFTN

Address:0xF00281F4

Access: Read-only

31	30	29	28	27	26	25	24
-	-	RUD					
23	22	21	20	19	18	17	16
RUD							
15	14	13	12	11	10	9	8
RUD							
7	6	5	4	3	2	1	0
RUD							

RUD: Register Update

The register is updated with the value that the 1588 Timer Nanoseconds Register holds when the SFD of a PTP transmit peer event crosses the MII interface. An interrupt is issued when the register is updated.

SAMA5D3 SERIES

36.9.104 GMAC PTP Peer Event Frame Received Seconds Low Register

Name:GMAC_PEFRSL

Address:0xF00281F8

Access: Read-only

31	30	29	28	27	26	25	24
RUD							
23	22	21	20	19	18	17	16
RUD							
15	14	13	12	11	10	9	8
RUD							
7	6	5	4	3	2	1	0
RUD							

RUD: Register Update

The register is updated with the value that the 1588 Timer Seconds Register holds when the SFD of a PTP receive primary event crosses the MII interface. An interrupt is issued when the register is updated.

36.9.105 GMAC PTP Peer Event Frame Received Nanoseconds Register

Name:GMAC_PEFRN

Address:0xF00281FC

Access: Read-only

31	30	29	28	27	26	25	24
-	-	RUD					
23	22	21	20	19	18	17	16
RUD							
15	14	13	12	11	10	9	8
RUD							
7	6	5	4	3	2	1	0
RUD							

RUD: Register Update

The register is updated with the value that the 1588 Timer Nanoseconds Register holds when the SFD of a PTP receive primary event crosses the MII interface. An interrupt is issued when the register is updated.

SAMA5D3 SERIES

37. Ethernet 10/100 MAC (EMAC)

37.1 Description

The EMAC module implements a 10/100 Ethernet MAC compatible with the IEEE 802.3 standard using an address checker, statistics and control registers, receive and transmit blocks, and a DMA interface.

The address checker recognizes four specific 48-bit addresses and contains a 64-bit hash register for matching multicast and unicast addresses. It can recognize the broadcast address of all ones, copy all frames, and act on an external address match signal.

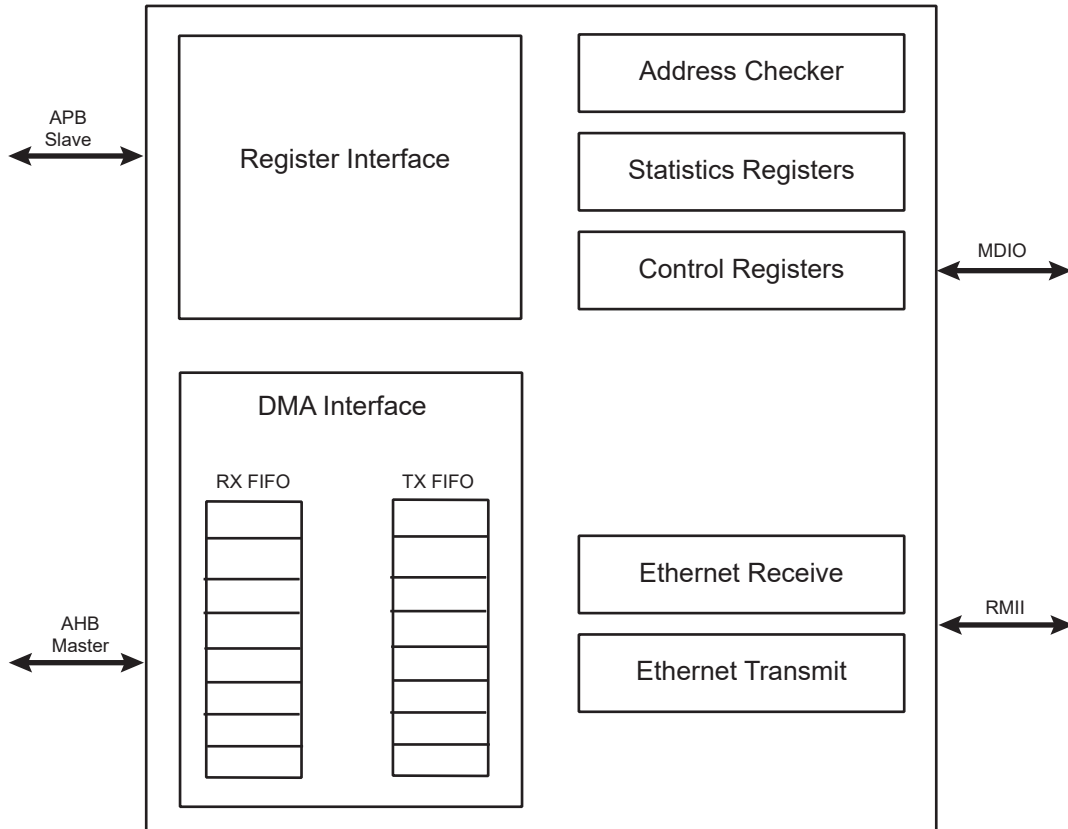
The statistics register block contains registers for counting various types of event associated with transmit and receive operations. These registers, along with the status words stored in the receive buffer list, enable software to generate network management statistics compatible with IEEE 802.3.

37.2 Embedded Characteristics

- Supports RMIII Interface to the physical layer
- Compatible with IEEE Standard 802.3
- 10 and 100 Mbit/s Operation
- Full- and Half-duplex Operation
- Statistics Counter Registers
- Interrupt Generation to Signal Receive and Transmit Completion
- DMA Master on Receive and Transmit Channels
- Transmit and Receive FIFOs
- Automatic Pad and CRC Generation on Transmitted Frames
- Automatic Discard of Frames Received with Errors
- Address Checking Logic Supports Up to Four Specific 48-bit Addresses
- Supports Promiscuous Mode Where All Valid Received Frames are Copied to Memory
- Hash Matching of Unicast and Multicast Destination Addresses
- Physical Layer Management through MDIO Interface
- Half-duplex Flow Control by Forcing Collisions on Incoming Frames
- Full-duplex Flow Control with Recognition of Incoming Pause Frames
- Support for 802.1Q VLAN Tagging with Recognition of Incoming VLAN and Priority Tagged Frames
- Multiple Buffers per Receive and Transmit Frame
- Wake-on-LAN Support
- Jumbo Frames Up to 10240 bytes Supported

37.3 Block Diagram

Figure 37-1: EMAC Block Diagram



37.4 Functional Description

The EMAC has several clock domains:

- System bus clock (AHB and APB): DMA and register blocks
- Transmit clock: transmit block
- Receive clock: receive and address checker block

The system bus clock must run at least as fast as the receive clock and transmit clock (25 MHz at 100 Mbit/s, and 2.5 MHz at 10 Mbit/s).

Figure 37-1 illustrates the different blocks of the EMAC module.

The control registers drive the MDIO interface, setup up DMA activity, start frame transmission and select modes of operation such as full- or half-duplex.

The receive block checks for valid preamble, FCS, alignment and length, and presents received frames to the address checking block and DMA interface.

The transmit block takes data from the DMA interface, adds preamble and, if necessary, pad and FCS, and transmits data according to the CSMA/CD (carrier sense multiple access with collision detect) protocol. The start of transmission is deferred if CRS (carrier sense) is active.

If COL (collision) becomes active during transmission, a jam sequence is asserted and the transmission is retried after a random back off. CRS and COL have no effect in full duplex mode.

The DMA block connects to external memory through its AHB bus interface. It contains receive and transmit FIFOs for buffering frame data. It loads the transmit FIFO and empties the receive FIFO using AHB bus master operations. Receive data is not sent to memory until the address checking logic has determined that the frame should be copied. Receive or transmit frames are stored in one or more buffers. Receive buffers have a fixed length of 128 bytes. Transmit buffers range in length between 0 and 2047 bytes, and up to 128 buffers are permitted per frame. The DMA block manages the transmit and receive framebuffer queues. These queues can hold multiple frames.

37.4.1 Clock

Synchronization module in the EMAC requires that the bus clock (MCK) runs at the speed of the `macb_tx/rx_clk` at least, which is 25 MHz at 100 Mbit/s, and 2.5 MHz at 10 Mbit/s.

37.4.2 Memory Interface

Frame data is transferred to and from the EMAC through the DMA interface. All transfers are 32-bit words and may be single accesses or bursts of 2, 3 or 4 words. Burst accesses do not cross sixteen-byte boundaries. Bursts of four words are the default data transfer; single accesses or bursts of less than four words may be used to transfer data at the beginning or the end of a buffer.

The DMA controller performs six types of operation on the bus. In order of priority, these are:

1. Receive buffer manager write
2. Receive buffer manager read
3. Transmit data DMA read
4. Receive data DMA write
5. Transmit buffer manager read
6. Transmit buffer manager write

37.4.2.1 FIFO

The FIFO depths are 128 bytes for receive and 128 bytes for transmit and are a function of the system clock speed, memory latency and network speed.

Data is typically transferred into and out of the FIFOs in bursts of four words. For receive, a bus request is asserted when the FIFO contains four words and has space for 28 more. For transmit, a bus request is generated when there is space for four words, or when there is space for 27 words if the next transfer is to be only one or two words.

Thus the bus latency must be less than the time it takes to load the FIFO and transmit or receive three words (112 bytes) of data.

At 100 Mbit/s, it takes 8960 ns to transmit or receive 112 bytes of data. In addition, six master clock cycles should be allowed for data to be loaded from the bus and to propagate through the FIFOs. For a 133 MHz master clock this takes 45 ns, making the bus latency requirement 8915 ns.

37.4.2.2 Receive Buffers

Received frames, including CRC/FCS optionally, are written to receive buffers stored in memory. Each receive buffer is 128 bytes long. The start location for each receive buffer is stored in memory in a list of receive buffer descriptors at a location pointed to by the Receive Buffer Queue Pointer Register (EMAC_RBQP). The receive buffer start location is a word address. For the first buffer of a frame, the start location can be offset by up to three bytes depending on the value written to bits 14 and 15 of the Network Configuration Register (EMAC_NCFGR). If the start location of the buffer is offset the available length of the first buffer of a frame is reduced by the corresponding number of bytes.

Each list entry consists of two words, the first being the address of the receive buffer and the second being the receive status. If the length of a receive frame exceeds the buffer length, the status word for the used buffer is written with zeroes except for the 'Start of Frame' bit and the offset bits, if appropriate. Bit 0 of the address field is written to one to show the buffer has been used. The receive buffer manager then reads the location of the next receive buffer and fills that with receive frame data. The final buffer descriptor status word contains the complete frame status. Refer to [Table 37-1](#) for details of the receive buffer descriptor list.

Table 37-1: Receive Buffer Descriptor Entry

Bit	Function
Word 0	
31:2	Address of beginning of buffer
1	Wrap - marks last descriptor in receive buffer descriptor list.
0	Ownership - needs to be zero for the EMAC to write data to the receive buffer. The EMAC sets this to one once it has successfully written a frame to memory. Software has to clear this bit before the buffer can be used again.
Word 1	
31	Global all ones broadcast address detected
30	Multicast hash match
29	Unicast hash match
28	External address match
27	Reserved for future use
26	Specific address register 1 match
25	Specific address register 2 match
24	Specific address register 3 match
23	Specific address register 4 match
22	Type ID match
21	VLAN tag detected (i.e., type ID of 0x8100)
20	Priority tag detected (i.e., type ID of 0x8100 and null VLAN identifier)
19:17	VLAN priority (only valid if bit 21 is set)
16	Concatenation format indicator (CFI) bit (only valid if bit 21 is set)
15	End of frame - when set the buffer contains the end of a frame. If end of frame is not set, then the only other valid status are bits 12, 13 and 14.
14	Start of frame - when set the buffer contains the start of a frame. If both bits 15 and 14 are set, then the buffer contains a whole frame.
13:12	Receive buffer offset - indicates the number of bytes by which the data in the first buffer is offset from the word address. Updated with the current values of the EMAC_NCFGR. If jumbo frame mode is enabled through bit 3 of the EMAC_NCFGR, then bits 13:12 of the receive buffer descriptor entry are used to indicate bits 13:12 of the frame length.
11:0	Length of frame including FCS (if selected). Bits 13:12 are also used if jumbo frame mode is selected.

SAMA5D3 SERIES

To receive frames, the buffer descriptors must be initialized by writing an appropriate address to bits 31 to 2 in the first word of each list entry. Bit zero must be written with zero. Bit 1 is the wrap bit and indicates the last entry in the list.

The start location of the receive buffer descriptor list must be written to the EMAC_RBQP register before setting the 'Receive Enable' bit in the Network Control Register (EMAC_NCR) to enable receive. As soon as the receive block starts writing received frame data to the receive FIFO, the receive buffer manager reads the first receive buffer location pointed to by the EMAC_RBQP register.

If the filter block then indicates that the frame should be copied to memory, the receive data DMA operation starts writing data into the receive buffer. If an error occurs, the buffer is recovered. If the current buffer pointer has its wrap bit set or is the 1024th descriptor, the next receive buffer location is read from the beginning of the receive descriptor list. Otherwise, the next receive buffer location is read from the next word in memory.

There is an 11-bit counter to count out the 2048 word locations of a maximum length, receive buffer descriptor list. This is added with the value originally written to the EMAC_RBQP register to produce a pointer into the list. A read of the EMAC_RBQP register returns the pointer value, which is the queue entry currently being accessed. The counter is reset after receive status is written to a descriptor that has its wrap bit set or rolls over to zero after 1024 descriptors have been accessed. The value written to the EMAC_RBQP register may be any word-aligned address, provided that there are at least 2048 word locations available between the pointer and the top of the memory.

Section 3.6 of the AMBA 2.0 specification states that bursts should not cross 1K boundaries. As receive buffer manager writes are bursts of two words, to ensure that this does not occur, it is best to write the EMAC_RBQP register with the least three significant bits set to zero. As receive buffers are used, the receive buffer manager sets bit 0 of the first word of the descriptor to indicate *used*. If a receive error is detected the receive buffer currently being written is recovered. Previous buffers are not recovered. Software should search through the *used* bits in the buffer descriptors to find out how many frames have been received. It should be checking the 'Start of Frame' and 'End of Frame' bits, and not rely on the value returned by the EMAC_RBQP register which changes continuously as more buffers are used.

For CRC errored frames, excessive length frames or length field mismatched frames, all of which are counted in the statistics registers, it is possible that a frame fragment might be stored in a sequence of receive buffers. Software can detect this by looking for 'Start of Frame' bit set in a buffer following a buffer with no 'End of Frame' bit set.

For a properly working Ethernet system, there should be no excessively long frames or frames greater than 128 bytes with CRC/FCS errors. Collision fragments are less than 128 bytes long. Therefore, it is a rare occurrence to find a frame fragment in a receive buffer.

If bit 0 is set when the receive buffer manager reads the location of the receive buffer, then the buffer has already been used and cannot be used again until software has processed the frame and cleared bit 0. In this case, the DMA block sets the 'Buffer Not Available' bit in the Receive Status Register (EMAC_RSR) and triggers an interrupt.

If bit 0 is set when the receive buffer manager reads the location of the receive buffer and a frame is being received, the frame is discarded and the Receive Resource Errors Register (EMAC_RRE) is incremented.

A receive overrun condition occurs when bus was not granted in time or because HRESP was not OK (bus error). In a receive overrun condition, the receive overrun interrupt is asserted and the buffer currently being written is recovered. The next frame received with an address that is recognized reuses the buffer.

If bit 17 of the EMAC_NCFGR is set, the FCS of received frames shall not be copied to memory. The frame length indicated in the receive status field shall be reduced by four bytes in this case.

37.4.2.3 Transmit Buffer

Frames to be transmitted are stored in one or more transmit buffers. Transmit buffers can be between 0 and 2047 bytes long, so it is possible to transmit frames longer than the maximum length specified in IEEE Standard 802.3. Zero length buffers are allowed. The maximum number of buffers permitted for each transmit frame is 128.

The start location for each transmit buffer is stored in memory in a list of transmit buffer descriptors at a location pointed to by the Transmit Buffer Queue Pointer Register (EMAC_TBQP). Each list entry consists of two words, the first being the byte address of the transmit buffer and the second containing the transmit control and status. Frames can be transmitted with or without automatic CRC generation. If CRC is automatically generated, pad is also automatically generated to take frames to a minimum length of 64 bytes. [Table 37-2 on page 1077](#) defines an entry in the transmit buffer descriptor list. To transmit frames, the buffer descriptors must be initialized by writing an appropriate byte address to bits 31 to 0 in the first word of each list entry. The second transmit buffer descriptor is initialized with control information that indicates the length of the buffer, whether or not it is to be transmitted with CRC and whether the buffer is the last buffer in the frame.

After transmission, the control bits are written back to the second word of the first buffer along with the 'used' bit and other status information. Bit 31 is the 'used' bit which must be zero when the control word is read if transmission is to happen. It is written to one when a frame has been transmitted. Bits 27, 28 and 29 indicate various transmit error conditions. Bit 30 is the 'wrap' bit which can be set for any buffer within a frame. If no wrap bit is encountered after 1024 descriptors, the queue pointer rolls over to the start in a similar fashion to the receive queue.

The EMAC_TBQP register must not be written while transmit is active. If a new value is written to the EMAC_TBQP register, the queue pointer resets itself to point to the beginning of the new queue. If transmit is disabled by writing to bit 3 of the EMAC_NCR, the EMAC_TBQP register resets to point to the beginning of the transmit queue. Note that disabling receive does not have the same effect on the receive queue pointer.

Once the transmit queue is initialized, transmit is activated by writing to bit 9, the 'Start Transmission' bit of the EMAC_NCR. Transmit is halted when a buffer descriptor with its 'used' bit set is read, or if a transmit error occurs, or by writing to the 'Transmit Halt' bit of the EMAC_NCR. (Transmission is suspended if a pause frame is received while the 'Pause Enable' bit is set in the EMAC_NCFGR.) Rewriting the start bit while transmission is active is allowed.

Transmission control is implemented with a Tx_go variable which is readable in the Transmit Status Register (EMAC_TSR) at bit location 3. The Tx_go variable is reset when:

- transmit is disabled
- a buffer descriptor with its ownership bit set is read
- a new value is written to the EMAC_TBQP register
- bit 10, tx_halt, of the EMAC_NCR is written
- there is a transmit error such as too many retries or a transmit underrun.

To set tx_go, write to bit 9, tx_start, of the EMAC_NCR. Transmit halt does not take effect until any ongoing transmit finishes. If a collision occurs during transmission of a multi-buffer frame, transmission automatically restarts from the first buffer of the frame. If a 'used' bit is read midway through transmission of a multi-buffer frame, this is treated as a transmit error. Transmission stops, tx_er is asserted and the FCS is bad.

If transmission stops due to a transmit error, the transmit queue pointer resets to point to the beginning of the transmit queue. Software needs to re-initialize the transmit queue after a transmit error.

If transmission stops due to a 'used' bit being read at the start of the frame, the transmission queue pointer is not reset and transmission starts from the same transmit buffer descriptor when the 'Start Transmission' bit is written.

Table 37-2: Transmit Buffer Descriptor Entry

Bit	Function
Word 0	
31:0	Byte Address of buffer
Word 1	
31	Used. Needs to be zero for the EMAC to read data from the transmit buffer. The EMAC sets this to one for the first buffer of a frame once it has been successfully transmitted. Software has to clear this bit before the buffer can be used again. Note: This bit is only set for the first buffer in a frame unlike receive where all buffers have the Used bit set once used.
30	Wrap. Marks last descriptor in transmit buffer descriptor list.
29	Retry limit exceeded, transmit error detected
28	Transmit underrun, occurs either when hresp is not OK (bus error) or the transmit data could not be fetched in time or when buffers are exhausted in mid-frame.
27	Buffers exhausted in mid-frame
26:17	Reserved
16	No CRC. When set, no CRC is appended to the current frame. This bit only needs to be set for the last buffer of a frame.
15	Last buffer. When set, this bit indicates the last buffer in the current frame has been reached.
14:11	Reserved
10:0	Length of buffer

SAMA5D3 SERIES

37.4.3 Transmit Block

This block transmits frames in accordance with the Ethernet IEEE 802.3 CSMA/CD protocol. Frame assembly starts by adding preamble and the start frame delimiter. Data is taken from the transmit FIFO a word at a time. Data is transmitted least significant nibble first. If necessary, padding is added to increase the frame length to 60 bytes. CRC is calculated as a 32-bit polynomial. This is inverted and appended to the end of the frame, taking the frame length to a minimum of 64 bytes. If the No CRC bit is set in the second word of the last buffer descriptor of a transmit frame, neither pad nor CRC are appended.

In full-duplex mode, frames are transmitted immediately. Back-to-back frames are transmitted at least 96 bit times apart to ensure the interframe gap.

In half-duplex mode, the transmitter checks carrier sense. If asserted, it waits for it to de-assert and then starts transmission after the interframe gap of 96 bit times. If the collision signal is asserted during transmission, the transmitter transmits a jam sequence of 32 bits taken from the data register and then retry transmission after the back off time has elapsed.

The back-off time is based on an XOR of the 10 least significant bits of the data coming from the transmit FIFO and a 10-bit pseudo random number generator. The number of bits used depends on the number of collisions seen. After the first collision, one bit is used, after the second collision, two bits are used, and so on up to 10. Above 10, all 10 bits are used. An error is indicated and no further attempts are made if 16 attempts cause collisions.

If transmit DMA underruns, bad CRC is automatically appended using the same mechanism as jam insertion and the tx_er signal is asserted. For a properly configured system, this should never happen.

If the 'Back Pressure' bit is set in the EMAC_NCR in half duplex mode, the transmit block transmits 64 bits of data, which can consist of 16 nibbles of 1011 or in bit-rate mode 64 ones, whenever it sees an incoming frame to force a collision. This provides a way of implementing flow control in half-duplex mode.

37.4.4 Pause Frame Support

The following table summarizes the start of an 802.3 pause frame.

Table 37-3: Start of an 802.3 Pause Frame

Destination Address	Source Address	Type (MAC Control Frame)	Pause Opcode	Pause Time
0x0180C2000001	6 bytes	0x8808	0x0001	2 bytes

The EMAC_NCFGR contains a receive 'Pause Enable' bit (13). If a valid pause frame is received, the Pause Time Register (EMAC_PTR) is updated with the frame's pause time, regardless of its current contents and regardless of the state of the EMAC_NCFGR bit 13. An interrupt (12) is triggered when a pause frame is received, assuming it is enabled in the Interrupt Mask Register (EMAC_IMR). If bit 13 is set in the EMAC_NCFGR and the value of the EMAC_PTR is non-zero, no new frame is transmitted until the EMAC_PTR has decremented to zero.

The loading of a new pause time, and hence the pausing of transmission, only occurs when the EMAC is configured for full-duplex operation. If the EMAC is configured for half-duplex, there is no transmission pause, but the pause frame received interrupt is still triggered.

A valid pause frame is defined as having a destination address that matches either the address stored in specific address register 1 or matches 0x0180C2000001 and has the MAC control frame type ID of 0x8808 and the pause opcode of 0x0001. Pause frames that have FCS or other errors are treated as invalid and are discarded. Valid pause frames received increment the Pause Frames Received Register (EMAC_PFR).

The EMAC_PTR decrements every 512 bit times (i.e., 128 rx_clks in nibble mode) once transmission has stopped. For test purposes, the register decrements every rx_clk cycle once transmission has stopped if bit 12 ('Retry Test') is set in the EMAC_NCFGR. If the 'Pause Enable' bit (13) is not set in the EMAC_NCFGR, then the decrementing occurs regardless of whether transmission has stopped or not.

An interrupt (13) is asserted whenever the EMAC_PTR decrements to zero (assuming it is enabled in the EMAC_IMR).

37.4.5 Receive Block

The receive block checks for valid preamble, FCS, alignment and length, presents received frames to the DMA block and stores the frames destination address for use by the address checking block. If, during frame reception, the frame is found to be too long or rx_er is asserted, a bad frame indication is sent to the DMA block. The DMA block then ceases sending data to memory. At the end of frame reception, the receive block indicates to the DMA block whether the frame is good or bad. The DMA block recovers the current receive buffer if the frame was bad. The receive block signals the register block to increment the alignment error, the CRC (FCS) error, the short frame, long frame, jabber error, the receive symbol error statistics and the length field mismatch statistics.

The enable bit for jumbo frames in the EMAC_NCFGR allows the EMAC to receive jumbo frames of up to 10240 bytes in size. This operation does not form part of the IEEE802.3 specification and is disabled by default. When jumbo frames are enabled, frames received with a frame size greater than 10240 bytes are discarded.

37.4.6 Address Checking Block

The address checking (or filter) block indicates to the DMA block which receive frames should be copied to memory. Whether a frame is copied depends on what is enabled in the EMAC_NCFGR, the state of the external match pin, the contents of the specific address and hash registers and the frame's destination address. In this implementation of the EMAC, the frame's source address is not checked. Provided that bit 18 of the EMAC_NCFGR is not set, a frame is not copied to memory if the EMAC is transmitting in half duplex mode at the time a destination address is received. If bit 18 of the EMAC_NCFGR is set, frames can be received while transmitting in half-duplex mode.

Ethernet frames are transmitted a byte at a time, least significant bit first. The first six bytes (48 bits) of an Ethernet frame make up the destination address. The first bit of the destination address, the LSB of the first byte of the frame, is the group/individual bit: this is *One* for multicast addresses and *Zero* for unicast. The *All Ones* address is the broadcast address, and a special case of multicast.

The EMAC supports recognition of four specific addresses. Each specific address requires two registers, specific address register bottom and specific address register top. Specific address register bottom stores the first four bytes of the destination address and specific address register top contains the last two bytes. The addresses stored can be specific, group, local or universal.

The destination address of received frames is compared against the data stored in the specific address registers once they have been activated. The addresses are deactivated at reset or when their corresponding specific address register bottom is written. They are activated when specific address register top is written. If a receive frame address matches an active address, the frame is copied to memory.

The following example illustrates the use of the address match registers for a MAC address of 21:43:65:87:A9:CB.

```
Preamble 55
SFD D5
DA (Octet0 - LSB) 21
DA (Octet 1) 43
DA (Octet 2) 65
DA (Octet 3) 87
DA (Octet 4) A9
DA (Octet5 - MSB) CB
SA (LSB) 00
SA 00
SA 00
SA 00
SA 00
SA (MSB) 43
SA (LSB) 21
```

The sequence above shows the beginning of an Ethernet frame. Byte order of transmission is from top to bottom as shown. For a successful match to specific address 1, the following address matching registers must be set up:

- Base address + 0x98 0x87654321 (Bottom)
- Base address + 0x9C 0x0000CBA9 (Top)

And for a successful match to the Type ID Checking Register (EMAC_TID), the following should be set up:

- Base address + 0xB8 0x00004321

37.4.7 Broadcast Address

The broadcast address of 0xFFFFFFFF is recognized if the 'No Broadcast' bit in the EMAC_NCFGR is zero.

37.4.8 Hash Addressing

The hash address register is 64 bits long and takes up two locations in the memory map. The least significant bits are stored in hash register bottom and the most significant bits in hash register top.

SAMA5D3 SERIES

The 'Unicast Hash Enable' and the 'Multicast Hash Enable' bits in the EMAC_NCFGR enable the reception of hash matched frames. The destination address is reduced to a 6-bit index into the 64-bit hash register using the following hash function. The hash function is an *exclusive or* of every sixth bit of the destination address.

```
hash_index[5] = da[5] ^ da[11] ^ da[17] ^ da[23] ^ da[29] ^ da[35] ^ da[41] ^ da[47]
hash_index[4] = da[4] ^ da[10] ^ da[16] ^ da[22] ^ da[28] ^ da[34] ^ da[40] ^ da[46]
hash_index[3] = da[3] ^ da[09] ^ da[15] ^ da[21] ^ da[27] ^ da[33] ^ da[39] ^ da[45]
hash_index[2] = da[2] ^ da[08] ^ da[14] ^ da[20] ^ da[26] ^ da[32] ^ da[38] ^ da[44]
hash_index[1] = da[1] ^ da[07] ^ da[13] ^ da[19] ^ da[25] ^ da[31] ^ da[37] ^ da[43]
hash_index[0] = da[0] ^ da[06] ^ da[12] ^ da[18] ^ da[24] ^ da[30] ^ da[36] ^ da[42]
```

da[0] represents the least significant bit of the first byte received, that is, the multicast/unicast indicator, and da[47] represents the most significant bit of the last byte received.

If the hash index points to a bit that is set in the hash register, then the frame is matched according to whether the frame is multicast or unicast.

A multicast match is signalled if the 'Multicast Hash Enable' bit is set. da[0] is 1 and the hash index points to a bit set in the hash register.

A unicast match is signalled if the 'Unicast Hash Enable' bit is set. da[0] is 0 and the hash index points to a bit set in the hash register.

To receive all multicast frames, the hash register should be set with all ones and the 'Multicast Hash Enable' bit should be set in the EMAC_NCFGR.

37.4.9 Copy All Frames (or Promiscuous Mode)

If the 'Copy All Frames' bit is set in the EMAC_NCFGR, then all non-errored frames are copied to memory. For example, frames that are too long, too short, or have FCS errors or rx_er asserted during reception are discarded and all others are received. Frames with FCS errors are copied to memory if bit 19 in the EMAC_NCFGR is set.

37.4.10 Type ID Checking

The contents of the EMAC_TID register are compared against the length/type ID of received frames (i.e., bytes 13 and 14). Bit 22 in the receive buffer descriptor status is set if there is a match. The reset state of this register is zero which is unlikely to match the length/type ID of any valid Ethernet frame.

Note: A type ID match does not affect whether a frame is copied to memory.

37.4.11 VLAN Support

The following table describes an Ethernet encoded 802.1Q VLAN tag.

Table 37-4: 802.1Q VLAN Tag

TPID (Tag Protocol Identifier) 16 bits	TCI (Tag Control Information) 16 bits
0x8100	First 3 bits priority, then CFI bit, last 12 bits VID

The VLAN tag is inserted at the 13th byte of the frame, adding an extra four bytes to the frame. If the VID (VLAN identifier) is null (0x000), this indicates a priority-tagged frame. The MAC can support frame lengths up to 1536 bytes, 18 bytes more than the original Ethernet maximum frame length of 1518 bytes. This is achieved by setting bit 8 in the EMAC_NCFGR.

The following bits in the receive buffer descriptor status word give information about VLAN tagged frames:

- Bit 21 set if receive frame is VLAN tagged (i.e., type ID of 0x8100)
- Bit 20 set if receive frame is priority tagged (i.e., type ID of 0x8100 and null VID). (If bit 20 is set, bit 21 is set also.)
- Bit 19, 18 and 17 set to priority if bit 21 is set
- Bit 16 set to CFI if bit 21 is set

37.4.12 Wake-on-LAN Support

The receive block supports Wake-on-LAN by detecting the following events on incoming receive frames:

- Magic packet
- ARP request to the device IP address
- Specific address 1 filter match
- Multicast hash filter match

If one of these events occurs Wake-on-LAN detection is indicated by asserting the wol output pin for 64 rx_clk cycles. These events can be individually enabled through bits 19:16 of the Wake-on-LAN Register (EMAC_WOL). Also, for Wake-on-LAN detection to occur, receive enable must be set in the EMAC_NCR, however a receive buffer does not have to be available. wol assertion due to ARP request, specific address 1 or multicast filter events occurs even if the frame is errored. For magic packet events, the frame must be correctly formed and error free.

A magic packet event is detected if all of the following are true:

- magic packet events are enabled through bit 16 of the EMAC_WOL register
- the frame's destination address matches specific address 1
- the frame is correctly formed with no errors
- the frame contains at least 6 bytes of 0xFF for synchronization
- there are 16 repetitions of the contents of specific address 1 register immediately following the synchronization

An ARP request event is detected if all of the following are true:

- ARP request events are enabled through bit 17 of the EMAC_WOL register
- broadcasts are allowed by bit 5 in the EMAC_NCFGR
- the frame has a broadcast destination address (bytes 1 to 6)
- the frame has a type ID field of 0x0806 (bytes 13 and 14)
- the frame has an ARP operation field of 0x0001 (bytes 21 and 22)
- the least significant 16 bits of the frame's ARP target protocol address (bytes 41 and 42) match the value programmed in bits 15:0 of the EMAC_WOL register

The decoding of the ARP fields adjusts automatically if a VLAN tag is detected within the frame. The reserved value of 0x0000 for the Wake-on-LAN target address value does not cause an ARP request event, even if matched by the frame.

A specific address 1 filter match event occurs if all of the following are true:

- specific address 1 events are enabled through bit 18 of the EMAC_WOL register
- the frame's destination address matches the value programmed in the specific address 1 registers

A multicast filter match event occurs if all of the following are true:

- multicast hash events are enabled through bit 19 of the EMAC_WOL register
- multicast hash filtering is enabled through bit 6 of the EMAC_NCFGR
- the frame's destination address matches against the multicast hash filter
- the frame's destination address is not a broadcast

37.4.13 PHY Maintenance

The PHY Maintenance Register (EMAC_MAN) enables the EMAC to communicate with a PHY by means of the MDIO interface. It is used during auto-negotiation to ensure that the EMAC and the PHY are configured for the same speed and duplex configuration.

The EMAC_MAN register is implemented as a shift register. Writing to the register starts a shift operation which is signalled as complete when bit 2 is set in the Network Status Register (EMAC_NSR) (about 2000 MCK cycles later when bit 10 is set to zero, and bit 11 is set to one in the EMAC_NCFGR). An interrupt is generated as this bit is set. During this time, the MSB of the register is output on the MDIO pin and the LSB updated from the MDIO pin with each MDC cycle. This causes transmission of a PHY management frame on MDIO.

Reading during the shift operation returns the current contents of the shift register. At the end of management operation, the bits have shifted back to their original locations. For a read operation, the data bits are updated with data read from the PHY. It is important to write the correct values to the register to ensure a valid PHY management frame is produced.

The MDIO interface can read IEEE 802.3 clause 45 PHYs as well as clause 22 PHYs. To read clause 45 PHYs, bits 31:28 should be written as 0x0011. To write clause 45 PHYs, bits 31:28 should be written as 0x0001. See [Table 37-5](#).

Table 37-5: Clause 22/Clause 45 PHYs Read/Write Access Configuration

PHY	Access	Field Configuration (EMAC_MAN Bits 31:28)	
		SOF[1:0]	RW[1:0]
Clause 22	Read	01	10
	Write	01	01

SAMA5D3 SERIES

Table 37-5: Clause 22/Clause 45 PHYs Read/Write Access Configuration (Continued)

PHY	Access	Field Configuration (EMAC_MAN Bits 31:28)	
		SOF[1:0]	RW[1:0]
Clause 45	Read	00	11
	Write	00	01
	Read + Address	00	10

For a description of MDC generation, see [Section 37.6.2 Network Configuration Register](#).

37.4.14 Physical Interface

The Ethernet MAC interfaces to the RMII. The 'RMII' bit in the User Input/Output Register (EMAC_USRIO) controls the interface that is selected. When this bit is set, the RMII interface is selected.

The RMII interface is capable of both 10 Mbit/s and 100 Mbit/s data rates as described in the IEEE 802.3u standard. The signals used by the RMII interface are described in [Table 37-6](#).

Table 37-6: Pin Configuration

Pin Name	RMII
ETXCK_EREFC	EREFC: Reference Clock
ERXDV	ECRS DV: Carrier Sense/Data Valid
ERX0–ERX1	ERX0–ERX1: 2-bit Receive Data
ERXER	ERXER: Receive Error
ETXEN	ETXEN: Transmit Enable
ETX0–ETX1	ETX0–ETX1: 2-bit Transmit Data

The RMII uses two bits for transmit (ETX0 and ETX1) and two bits for receive (ERX0 and ERX1). There is a Transmit Enable (ETXEN), a Receive Error (ERXER), a Carrier Sense (ECRS_DV), and a 50 MHz Reference Clock (ETXCK_EREFC) for 100 Mbit/s data rate.

37.4.14.1 RMII Transmit and Receive Operation

The RMII maps the signals in a more pin-efficient manner. The transmit and receive bits are converted from a 4-bit parallel format to a 2-bit parallel scheme that is clocked at twice the rate. The carrier sense and data valid signals are combined into the ECRSDV signal. This signal contains information on carrier sense, FIFO status, and validity of the data. Transmit error bit (ETXER) and collision detect (ECOL) are not used in RMII mode.

37.5 Programming Interface

37.5.1 Initialization

37.5.1.1 Configuration

Initialization of the EMAC configuration (e.g., loop-back mode, frequency ratios) must be done while the transmit and receive circuits are disabled. See [Section 37.6.1 Network Control Register](#) and [Section 37.6.2 Network Configuration Register](#).

To change loop-back mode, the following sequence of operations must be followed:

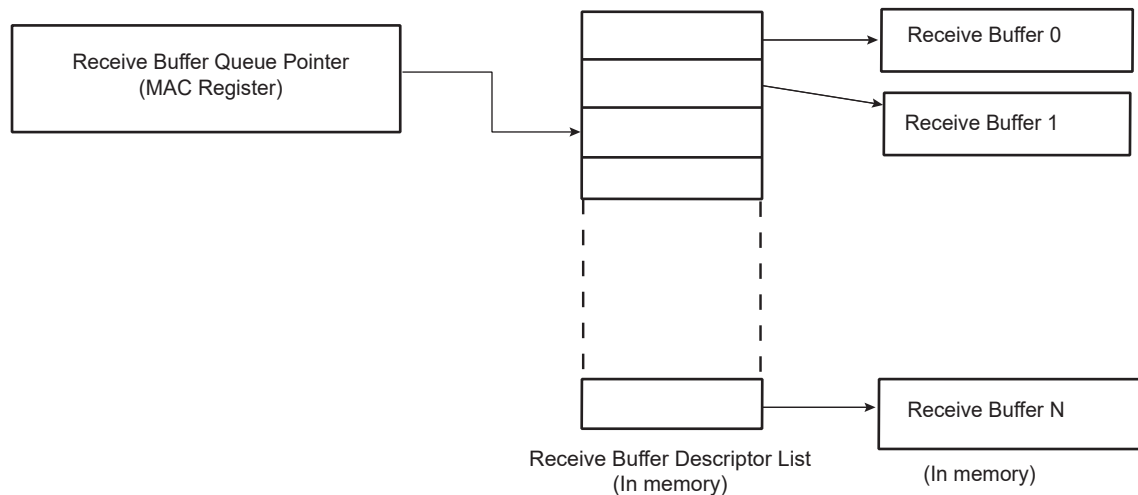
1. Write to EMAC_NCR to disable transmit and receive circuits.
2. Write to EMAC_NCR to change loop-back mode.
3. Write to EMAC_NCR to re-enable transmit or receive circuits.

Note: These writes to EMAC_NCR cannot be combined in any way.

37.5.1.2 Receive Buffer List

Receive data is written to areas of data (i.e., buffers) in system memory. These buffers are listed in another data structure that also resides in main memory. This data structure (receive buffer queue) is a sequence of descriptor entries as defined in [Table 37-1 Receive Buffer Descriptor Entry](#). It points to this data structure.

Figure 37-2: Receive Buffer List



To create the list of buffers:

1. Allocate a number (n) of buffers of 128 bytes in system memory.
2. Allocate an area $2n$ words for the receive buffer descriptor entry in system memory and create n entries in this list. Mark all entries in this list as owned by EMAC, i.e., bit 0 of word 0 set to zero.
3. If less than 1024 buffers are defined, the last descriptor must be marked with the wrap bit (bit 1 in word 0 set to one).
4. Write address of receive buffer descriptor entry to the EMAC_RBQP register.
5. The receive circuits can then be enabled by writing to the address recognition registers and then to the EMAC_NCR.

37.5.1.3 Transmit Buffer List

Transmit data is read from areas of data (the buffers) in system memory. These buffers are listed in another data structure that also resides in main memory. This data structure (Transmit Buffer Queue) is a sequence of descriptor entries (as defined in [Table 37-2 on page 1077](#)) that points to this data structure.

To create this list of buffers:

1. Allocate a number (n) of buffers of between 1 and 2047 bytes of data to be transmitted in system memory. Up to 128 buffers per frame are allowed.
2. Allocate an area $2n$ words for the transmit buffer descriptor entry in system memory and create N entries in this list. Mark all entries in this list as owned by EMAC, i.e., bit 31 of word 1 set to zero.
3. If fewer than 1024 buffers are defined, the last descriptor must be marked with the wrap bit — bit 30 in word 1 set to one.

SAMA5D3 SERIES

4. Write address of transmit buffer descriptor entry to EMAC_TBQP register.
5. The transmit circuits can then be enabled by writing to the EMAC_NCR.

37.5.1.4 Address Matching

The EMAC register-pair hash address and the four specific address register-pairs must be written with the required values. Each register-pair comprises a bottom register and top register, with the bottom register being written first. The address matching is disabled for a particular register-pair after the bottom-register has been written and re-enabled when the top register is written. See [Section 37.4.6 Address Checking Block](#) for details of address matching. Each register-pair may be written at any time, regardless of whether the receive circuits are enabled or disabled.

37.5.1.5 Interrupts

There are 15 interrupt conditions that are detected within the EMAC. These are ORed to make a single interrupt. Depending on the overall system design, this may be passed through a further level of interrupt collection (interrupt controller). On receipt of the interrupt signal, the CPU enters the interrupt handler (Refer to the Interrupt Controller). To ascertain which interrupt has been generated, read the Interrupt Status Register (EMAC_ISR). Note that this register clears itself when read. At reset, all interrupts are disabled.

To enable an interrupt, write to the Interrupt Enable Register (EMAC_IER) with the pertinent interrupt bit set to one.

To disable an interrupt, write to the Interrupt Disable Register (EMAC_IDR) with the pertinent interrupt bit set to one.

To check whether an interrupt is enabled or disabled, read the EMAC_IMR; if the bit is set to one, the interrupt is disabled.

37.5.1.6 Transmitting Frames

To set up a frame for transmission:

1. Enable transmit in the EMAC_NCR.
2. Allocate an area of system memory for transmit data. This does not have to be contiguous, varying byte lengths can be used as long as they conclude on byte borders.
3. Set-up the transmit buffer list.
4. Set the EMAC_NCR to enable transmission and enable interrupts.
5. Write data for transmission into these buffers.
6. Write the address to transmit buffer descriptor queue pointer.
7. Write control and length to word one of the transmit buffer descriptor entry.
8. Write to the 'Start Transmission' bit in the EMAC_NCR.

37.5.1.7 Receiving Frames

When a frame is received and the receive circuits are enabled, the EMAC checks the address and, in the following cases, the frame is written to system memory:

- if it matches one of the four specific address registers.
- if it matches the hash address function.
- if it is a broadcast address (0xFFFFFFFF) and broadcasts are allowed.
- if the EMAC is configured to copy all frames.

The EMAC_RBQP register points to the next entry (see [Table 37-1 on page 1075](#)) and the EMAC uses this as the address in system memory to write the frame to. Once the frame has been completely and successfully received and written to system memory, the EMAC then updates the receive buffer descriptor entry with the reason for the address match and marks the area as being owned by software. Once this is complete an interrupt receive complete is set. Software is then responsible for handling the data in the buffer and then releasing the buffer by writing the ownership bit back to zero.

If the EMAC is unable to write the data at a rate to match the incoming frame, then an interrupt receive overrun is set. If there is no receive buffer available, i.e., the next buffer is still owned by software, the interrupt receive buffer not available is set. If the frame is not successfully received, a statistics register is incremented and the frame is discarded without informing software.

37.6 Ethernet MAC 10/100 (EMAC) User Interface

Table 37-7: Register Mapping

Offset	Register	Name	Access	Reset
0x00	Network Control Register	EMAC_NCR	Read/Write	0
0x04	Network Configuration Register	EMAC_NCFGR	Read/Write	0x800
0x08	Network Status Register	EMAC_NSR	Read-only	0b01xx
0x0C–0x10	Reserved	–	–	–
0x14	Transmit Status Register	EMAC_TSR	Read/Write	0x0000_0000
0x18	Receive Buffer Queue Pointer Register	EMAC_RBQP	Read/Write	0x0000_0000
0x1C	Transmit Buffer Queue Pointer Register	EMAC_TBQP	Read/Write	0x0000_0000
0x20	Receive Status Register	EMAC_RSR	Read/Write	0x0000_0000
0x24	Interrupt Status Register	EMAC_ISR	Read/Write	0x0000_0000
0x28	Interrupt Enable Register	EMAC_IER	Write-only	–
0x2C	Interrupt Disable Register	EMAC_IDR	Write-only	–
0x30	Interrupt Mask Register	EMAC_IMR	Read-only	0x0000_7FFF
0x34	PHY Maintenance Register	EMAC_MAN	Read/Write	0x0000_0000
0x38	Pause Time Register	EMAC_PTR	Read/Write	0x0000_0000
0x3C	Pause Frames Received Register	EMAC_PFR	Read/Write	0x0000_0000
0x40	Frames Transmitted OK Register	EMAC_FTO	Read/Write	0x0000_0000
0x44	Single Collision Frames Register	EMAC_SCF	Read/Write	0x0000_0000
0x48	Multiple Collision Frames Register	EMAC_MCF	Read/Write	0x0000_0000
0x4C	Frames Received OK Register	EMAC_FRO	Read/Write	0x0000_0000
0x50	Frame Check Sequence Errors Register	EMAC_FCSE	Read/Write	0x0000_0000
0x54	Alignment Errors Register	EMAC_ALE	Read/Write	0x0000_0000
0x58	Deferred Transmission Frames Register	EMAC_DTF	Read/Write	0x0000_0000
0x5C	Late Collisions Register	EMAC_LCOL	Read/Write	0x0000_0000
0x60	Excessive Collisions Register	EMAC_ECOL	Read/Write	0x0000_0000
0x64	Transmit Underrun Errors Register	EMAC_TUND	Read/Write	0x0000_0000
0x68	Carrier Sense Errors Register	EMAC_CSE	Read/Write	0x0000_0000
0x6C	Receive Resource Errors Register	EMAC_RRE	Read/Write	0x0000_0000
0x70	Receive Overrun Errors Register	EMAC_ROV	Read/Write	0x0000_0000
0x74	Receive Symbol Errors Register	EMAC_RSE	Read/Write	0x0000_0000
0x78	Excessive Length Errors Register	EMAC_ELE	Read/Write	0x0000_0000
0x7C	Receive Jabbers Register	EMAC_RJA	Read/Write	0x0000_0000
0x80	Undersize Frames Register	EMAC_USF	Read/Write	0x0000_0000
0x84	SQE Test Errors Register	EMAC_STE	Read/Write	0x0000_0000
0x88	Received Length Field Mismatch Register	EMAC_RLE	Read/Write	0x0000_0000
0x8C	Reserved	–	–	–

SAMA5D3 SERIES

Table 37-7: Register Mapping (Continued)

Offset	Register	Name	Access	Reset
0x90	Hash Register Bottom [31:0] Register	EMAC_HRB	Read/Write	0x0000_0000
0x94	Hash Register Top [63:32] Register	EMAC_HRT	Read/Write	0x0000_0000
0x98	Specific Address 1 Bottom Register	EMAC_SA1B	Read/Write	0x0000_0000
0x9C	Specific Address 1 Top Register	EMAC_SA1T	Read/Write	0x0000_0000
0xA0	Specific Address 2 Bottom Register	EMAC_SA2B	Read/Write	0x0000_0000
0xA4	Specific Address 2 Top Register	EMAC_SA2T	Read/Write	0x0000_0000
0xA8	Specific Address 3 Bottom Register	EMAC_SA3B	Read/Write	0x0000_0000
0xAC	Specific Address 3 Top Register	EMAC_SA3T	Read/Write	0x0000_0000
0xB0	Specific Address 4 Bottom Register	EMAC_SA4B	Read/Write	0x0000_0000
0xB4	Specific Address 4 Top Register	EMAC_SA4T	Read/Write	0x0000_0000
0xB8	Type ID Checking Register	EMAC_TID	Read/Write	0x0000_0000
0xBC	Reserved	–	–	–
0xC0	User Input/Output Register	EMAC_USRIO	Read/Write	0x0000_0000
0xC4	Wake-on-LAN Register	EMAC_WOL	Read/Write	0x0000_0000
0xC8–0xFC	Reserved	–	–	–

37.6.1 Network Control Register

Name:EMAC_NCR

Address:0xF802C000

Access:Read/Write

31	30	29	28	27	26	25	24
–	–	–	–	–	–	–	–
23	22	21	20	19	18	17	16
–	–	–	–	–	–	–	–
15	14	13	12	11	10	9	8
–	–	–	–	–	THALT	TSTART	BP
7	6	5	4	3	2	1	0
WESTAT	INCSTAT	CLRSTAT	MPE	TE	RE	LLB	LB

LB: LoopBack

Asserts the loopback signal to the PHY.

LLB: Loopback Local

Connects txd to rxd, tx_en to rx_dv, forces full duplex and drives rx_clk and tx_clk with MCK divided by 4. rx_clk and tx_clk may glitch as the EMAC is switched into and out of internal loopback. It is important that receive and transmit circuits have already been disabled when making the switch into and out of internal loopback.

RE: Receive Enable

When set, enables the EMAC to receive data. When reset, frame reception stops immediately and the receive FIFO is cleared. The EMAC_RBQP register is unaffected.

TE: Transmit Enable

When set, enables the Ethernet transmitter to send data. When reset transmission, stops immediately, the transmit FIFO and control registers are cleared and the EMAC_TBQP register resets to point to the start of the transmit descriptor list.

MPE: Management Port Enable

0: Forces MDIO to high impedance state and MDC low

1: Enables the management port

CLRSTAT: Clear Statistics Registers

This bit is write only. Writing a one clears the statistics registers.

INCSTAT: Increment Statistics Registers

This bit is write only. Writing a one increments all the statistics registers by one for test purposes.

WESTAT: Write Enable for Statistics Registers

Setting this bit to one makes the statistics registers writable for functional test purposes.

BP: Back Pressure

If set in half duplex mode, forces collisions on all received frames.

TSTART: Start Transmission

Writing one to this bit starts transmission.

THALT: Transmit Halt

Writing one to this bit halts transmission as soon as any ongoing frame transmission ends.

SAMA5D3 SERIES

37.6.2 Network Configuration Register

Name:EMAC_NCFGR

Address:0xF802C004

Access:Read/Write

31	30	29	28	27	26	25	24
–	–	–	–	–	–	–	–
23	22	21	20	19	18	17	16
–	–	–	–	IRXFCS	EFRHD	DRFCS	RLCE
15	14	13	12	11	10	9	8
RBOF		PAE	RTY	CLK		–	BIG
7	6	5	4	3	2	1	0
UNI	MTI	NBC	CAF	JFRAME	–	FD	SPD

SPD: Speed

0: 10 Mbit/s operation

1: 100 Mbit/s operation

FD: Full Duplex

If set to one, the transmit block ignores the state of collision and carrier sense and allows receive while transmitting.

CAF: Copy All Frames

When set to one, all valid frames are received.

JFRAME: Jumbo Frames

Set to one to enable jumbo frames of up to 10240 bytes to be accepted.

NBC: No Broadcast

When set to one, frames addressed to the broadcast address of all ones are not received.

MTI: Multicast Hash Enable

When set to one, multicast frames are received when the 6-bit hash function of the destination address points to a bit that is set in the hash register.

UNI: Unicast Hash Enable

When set to one, unicast frames are received when the 6-bit hash function of the destination address points to a bit that is set in the hash register.

BIG: Receive 1536 Bytes Frames

Setting this bit means the EMAC receives frames up to 1536 bytes in length. Normally, the EMAC would reject any frame above 1518 bytes.

CLK: MDC Clock Divider

Set according to system clock speed. This determines by what number system clock is divided to generate MDC. For conformance with 802.3, MDC must not exceed 2.5 MHz (MDC is only active during MDIO read and write operations).

Value	Name	Description
0	MCK_8	MCK divided by 8 (MCK up to 20 MHz)
1	MCK_16	MCK divided by 16 (MCK up to 40 MHz)
2	MCK_32	MCK divided by 32 (MCK up to 80 MHz)
3	MCK_64	MCK divided by 64 (MCK up to 160 MHz)

RTY: Retry Test

0: Normal operation

1: The back off between collisions is always one slot time. Setting this bit helps in testing the 'too many retries' condition. Also used in the pause frame tests to reduce the pause counters decrement time from 512 bit times, to every rx_clk cycle.

PAE: Pause Enable

When set, transmission pauses when a valid pause frame is received.

RBOF: Receive Buffer Offset

Indicates the number of bytes by which the received data is offset from the start of the first receive buffer.

Value	Name	Description
0	OFFSET_0	No offset from start of receive buffer
1	OFFSET_1	One-byte offset from start of receive buffer
2	OFFSET_2	Two-byte offset from start of receive buffer
3	OFFSET_3	Three-byte offset from start of receive buffer

RLCE: Receive Length Field Checking Enable

When set, frames with measured lengths shorter than their length fields are discarded. Frames containing a type ID in bytes 13 and 14 — length/type ID = 0600 — are not counted as length errors.

DRFCS: Discard Receive FCS

When set, the FCS field of received frames is not copied to memory.

EFRHD: Enable Frames Received in Half Duplex

Enable Frames to be received in half-duplex mode while transmitting.

IRXFCS: Ignore RX FCS

0: Normal operation

1: Frames with FCS/CRC errors are not rejected and no FCS error statistics are counted.

SAMA5D3 SERIES

37.6.3 Network Status Register

Name:EMAC_NSR

Address:0xF802C008

Access:Read-only

31	30	29	28	27	26	25	24
–	–	–	–	–	–	–	–
23	22	21	20	19	18	17	16
–	–	–	–	–	–	–	–
15	14	13	12	11	10	9	8
–	–	–	–	–	–	–	–
7	6	5	4	3	2	1	0
–	–	–	–	–	IDLE	MDIO	–

MDIO: MDIO Input Status

Returns status of the mdio_in pin. Use the PHY Maintenance Register for reading managed frames rather than this bit.

IDLE: PHY Management Logic Status

0: The PHY logic is running.

1: The PHY management logic is idle (i.e., has completed).

37.6.4 Transmit Status Register

Name:EMAC_TSR

Address:0xF802C014

Access:Read/Write

31	30	29	28	27	26	25	24
–	–	–	–	–	–	–	–
23	22	21	20	19	18	17	16
–	–	–	–	–	–	–	–
15	14	13	12	11	10	9	8
–	–	–	–	–	–	–	–
7	6	5	4	3	2	1	0
–	UND	COMP	BEX	TGO	RLES	COL	UBR

This register, when read, provides details of the status of a transmit. Once read, individual bits may be cleared by writing a one to them. It is not possible to set a bit to one by writing to the register.

UBR: Used Bit Read (cleared by writing a one to this bit)

Set when a transmit buffer descriptor is read with its used bit set.

COL: Collision Occurred (cleared by writing a one to this bit)

Set by the assertion of collision.

RLES: Retry Limit Exceeded (cleared by writing a one to this bit)

TGO: Transmit Go

If high transmit is active.

BEX: Buffers Exhausted Mid-frame (cleared by writing a one to this bit)

If the buffers run out during transmission of a frame, then transmission stops, FCS shall be bad and tx_er asserted.

COMP: Transmit Complete (cleared by writing a one to this bit)

Set when a frame has been transmitted.

UND: Transmit Underrun (cleared by writing a one to this bit)

Set when transmit DMA was not able to read data from memory, either because the bus was not granted in time, because a not OK hresp(bus error) was returned or because a used bit was read midway through frame transmission. If this occurs, the transmitter forces bad CRC.

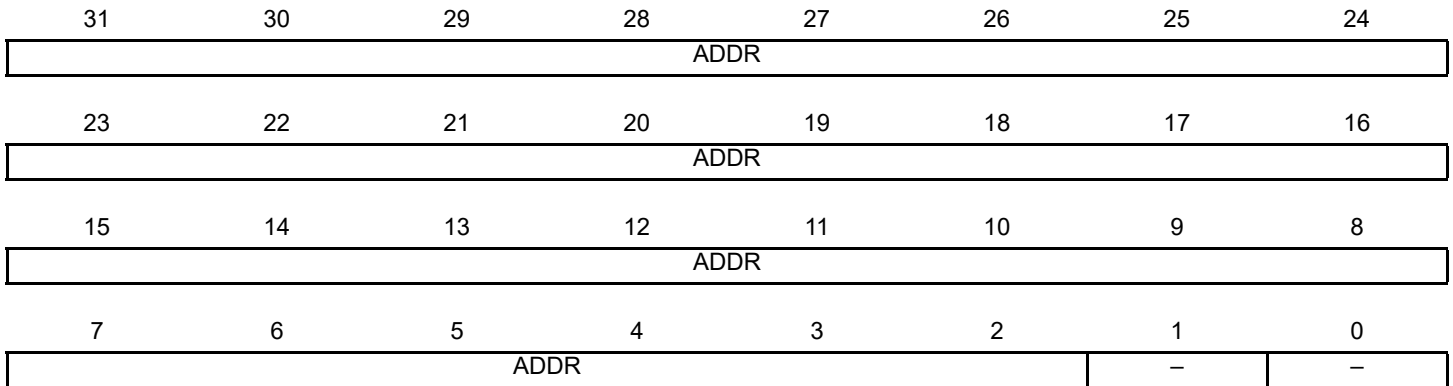
SAMA5D3 SERIES

37.6.5 Receive Buffer Queue Pointer Register

Name:EMAC_RBQP

Address:0xF802C018

Access:Read/Write



This register points to the entry in the receive buffer queue (descriptor list) currently being used. It is written with the start location of the receive buffer descriptor list. The lower order bits increment as buffers are used up and wrap to their original values after either 1024 buffers or when the wrap bit of the entry is set.

Reading this register returns the location of the descriptor currently being accessed. This value increments as buffers are used. Software should not use this register for determining where to remove received frames from the queue as it constantly changes as new frames are received. Software should instead work its way through the buffer descriptor queue checking the used bits.

Receive buffer writes also comprise bursts of two words and, as with transmit buffer reads, it is recommended that bit 2 is always written with zero to prevent a burst crossing a 1K boundary, in violation of section 3.6 of the AMBA specification.

ADDR: Receive Buffer Queue Pointer Address

Written with the address of the start of the receive queue, reads as a pointer to the current buffer being used.

37.6.6 Transmit Buffer Queue Pointer Register

Name:EMAC_TBQP

Address:0xF802C01C

Access:Read/Write

31	30	29	28	27	26	25	24
ADDR							
23	22	21	20	19	18	17	16
ADDR							
15	14	13	12	11	10	9	8
ADDR							
7	6	5	4	3	2	1	0
ADDR						-	-

This register points to the entry in the transmit buffer queue (descriptor list) currently being used. It is written with the start location of the transmit buffer descriptor list. The lower order bits increment as buffers are used up and wrap to their original values after either 1024 buffers or when the wrap bit of the entry is set. This register can only be written when bit 3 in the EMAC_TSR is low.

As transmit buffer reads consist of bursts of two words, it is recommended that bit 2 is always written with zero to prevent a burst crossing a 1K boundary, in violation of section 3.6 of the AMBA specification.

ADDR: Transmit Buffer Queue Pointer Address

Written with the address of the start of the transmit queue, reads as a pointer to the first buffer of the frame being transmitted or about to be transmitted.

SAMA5D3 SERIES

37.6.7 Receive Status Register

Name:EMAC_RSR

Address:0xF802C020

Access:Read/Write

31	30	29	28	27	26	25	24
–	–	–	–	–	–	–	–
23	22	21	20	19	18	17	16
–	–	–	–	–	–	–	–
15	14	13	12	11	10	9	8
–	–	–	–	–	–	–	–
7	6	5	4	3	2	1	0
–	–	–	–	–	OVR	REC	BNA

This register, when read, provides details of the status of a receive. Once read, individual bits may be cleared by writing a one to them. It is not possible to set a bit to one by writing to the register.

BNA: Buffer Not Available (cleared by writing a one to this bit)

An attempt was made to get a new buffer and the pointer indicated that it was owned by the processor. The DMA rereads the pointer each time a new frame starts until a valid pointer is found. This bit is set at each attempt that fails even if it has not had a successful pointer read since it has been cleared.

REC: Frame Received (cleared by writing a one to this bit)

One or more frames have been received and placed in memory.

OVR: Receive Overrun (cleared by writing a one to this bit)

The DMA block was unable to store the receive frame to memory, either because the bus was not granted in time or because a not OK hresp(bus error) was returned. The buffer is recovered if this happens.

37.6.8 Interrupt Status Register

Name:EMAC_ISR

Address:0xF802C024

Access:Read/Write

31	30	29	28	27	26	25	24
–	–	–	–	–	–	–	–
23	22	21	20	19	18	17	16
–	–	–	–	–	–	–	–
15	14	13	12	11	10	9	8
–	WOL	PTZ	PFRE	HRESP	ROVR	–	–
7	6	5	4	3	2	1	0
TCOMP	TXERR	RLEX	TUND	TXUBR	RXUBR	RCOMP	MFD

MFD: Management Frame Done (cleared on read)

The PHY Maintenance Register has completed its operation.

RCOMP: Receive Complete (cleared on read)

A frame has been stored in memory.

RXUBR: Receive Used Bit Read (cleared on read)

Set when a receive buffer descriptor is read with its used bit set.

TXUBR: Transmit Used Bit Read (cleared on read)

Set when a transmit buffer descriptor is read with its used bit set.

TUND: Ethernet Transmit Buffer Underrun (cleared on read)

The transmit DMA did not fetch frame data in time for it to be transmitted or hresp returned not OK. Also set if a used bit is read mid-frame or when a new transmit queue pointer is written.

RLEX: Retry Limit Exceeded (cleared on read)

TXERR: Transmit Error (cleared on read)

Transmit buffers exhausted in mid-frame - transmit error.

TCOMP: Transmit Complete (cleared on read)

Set when a frame has been transmitted.

ROVR: Receive Overrun (cleared on read)

Set when the 'Receive Overrun' bit in EMAC_ISR gets set.

HRESP: Hresp Not OK (cleared on read)

Set when the DMA block sees a bus error.

PFRE: Pause Frame Received (cleared on read)

Indicates a valid pause has been received.

PTZ: Pause Time Zero (cleared on read)

Set when the EMAC_PTR, 0x38 decrements to zero.

WOL: Wake-On-LAN (cleared on read)

Set when a WOL event has been triggered (This flag can be set even if the EMAC is not clocked).

SAMA5D3 SERIES

37.6.9 Interrupt Enable Register

Name:EMAC_IER

Address:0xF802C028

Access:Write-only

31	30	29	28	27	26	25	24
–	–	–	–	–	–	–	–
23	22	21	20	19	18	17	16
–	–	–	–	–	–	–	–
15	14	13	12	11	10	9	8
–	WOL	PTZ	PFR	HRESP	ROVR	–	–
7	6	5	4	3	2	1	0
TCOMP	TXERR	RLE	TUND	TXUBR	RXUBR	RCOMP	MFD

MFD: Management Frame Done

Enable management done interrupt.

RCOMP: Receive Complete

Enable receive complete interrupt.

RXUBR: Receive Used Bit Read

Enable receive used bit read interrupt.

TXUBR: Transmit Used Bit Read

Enable transmit used bit read interrupt.

TUND: Ethernet Transmit Buffer Underrun

Enable transmit underrun interrupt.

RLE: Retry Limit Exceeded

Enable retry limit exceeded interrupt.

TXERR: Transmit Error

Enable transmit buffers exhausted in mid-frame interrupt.

TCOMP: Transmit Complete

Enable transmit complete interrupt.

ROVR: Receive Overrun

Enable receive overrun interrupt.

HRESP: Hresp Not OK

Enable Hresp not OK interrupt.

PFR: Pause Frame Received

Enable pause frame received interrupt.

PTZ: Pause Time Zero

Enable pause time zero interrupt.

WOL: Wake-On-LAN

Enable Wake-On-LAN interrupt.

37.6.10 Interrupt Disable Register

Name:EMAC_IDR

Address:0xF802C02C

Access:Write-only

31	30	29	28	27	26	25	24
–	–	–	–	–	–	–	–
23	22	21	20	19	18	17	16
–	–	–	–	–	–	–	–
15	14	13	12	11	10	9	8
–	WOL	PTZ	PFR	HRESP	ROVR	–	–
7	6	5	4	3	2	1	0
TCOMP	TXERR	RLE	TUND	TXUBR	RXUBR	RCOMP	MFD

MFD: Management Frame Done

Disable management done interrupt.

RCOMP: Receive Complete

Disable receive complete interrupt.

RXUBR: Receive Used Bit Read

Disable receive used bit read interrupt.

TXUBR: Transmit Used Bit Read

Disable transmit used bit read interrupt.

TUND: Ethernet Transmit Buffer Underrun

Disable transmit underrun interrupt.

RLE: Retry Limit Exceeded

Disable retry limit exceeded interrupt.

TXERR: Transmit Error

Disable transmit buffers exhausted in mid-frame interrupt.

TCOMP: Transmit Complete

Disable transmit complete interrupt.

ROVR: Receive Overrun

Disable receive overrun interrupt.

HRESP: Hresp Not OK

Disable Hresp not OK interrupt.

PFR: Pause Frame Received

Disable pause frame received interrupt.

PTZ: Pause Time Zero

Disable pause time zero interrupt.

WOL: Wake-On-LAN

Disable Wake-On-LAN interrupt.

SAMA5D3 SERIES

37.6.11 Interrupt Mask Register

Name:EMAC_IMR

Address:0xF802C030

Access:Read-only

31	30	29	28	27	26	25	24
–	–	–	–	–	–	–	–
23	22	21	20	19	18	17	16
–	–	–	–	–	–	–	–
15	14	13	12	11	10	9	8
–	WOL	PTZ	PFR	HRESP	ROVR	–	–
7	6	5	4	3	2	1	0
TCOMP	TXERR	RLE	TUND	TXUBR	RXUBR	RCOMP	MFD

MFD: Management Frame Done

Management done interrupt masked.

RCOMP: Receive Complete

Receive complete interrupt masked.

RXUBR: Receive Used Bit Read

Receive used bit read interrupt masked.

TXUBR: Transmit Used Bit Read

Transmit used bit read interrupt masked.

TUND: Ethernet Transmit Buffer Underrun

Transmit underrun interrupt masked.

RLE: Retry Limit Exceeded

Retry limit exceeded interrupt masked.

TXERR: Transmit Error

Transmit buffers exhausted in mid-frame interrupt masked.

TCOMP: Transmit Complete

Transmit complete interrupt masked.

ROVR: Receive Overrun

Receive overrun interrupt masked.

HRESP: Hresp Not OK

Hresp not OK interrupt masked.

PFR: Pause Frame Received

Pause frame received interrupt masked.

PTZ: Pause Time Zero

Pause time zero interrupt masked.

WOL: Wake-On-LAN

Wake-On-LAN interrupt masked.

37.6.12 PHY Maintenance Register

Name:EMAC_MAN

Address:0xF802C034

Access:Read/Write

31	30	29	28	27	26	25	24
SOF		RW		PHYA			
23	22	21	20	19	18	17	16
PHYA	REGA					CODE	
15	14	13	12	11	10	9	8
DATA							
7	6	5	4	3	2	1	0
DATA							

Note: To read clause 45 PHYs, bits 31:28 should be written as 0x0011. This overlaps the SOF and RW fields.

DATA: PHY Transmit or Receive Data

For a write operation this is written with the data to be written to the PHY.

After a read operation this contains the data read from the PHY.

CODE: Must Be Two

Must be written to 2. Reads as written.

REGA: PHY Register Address

Specifies the register in the PHY to access.

PHYA: PHY Address

RW: PHY Read/Write Command

1: Write command

2: Read command

Any other value is an invalid PHY management frame.

SOF: Start of Frame

Must be written to one for a valid frame.

SAMA5D3 SERIES

37.6.13 Pause Time Register

Name:EMAC_PTR

Address:0xF802C038

Access:Read/Write

31	30	29	28	27	26	25	24
–	–	–	–	–	–	–	–
23	22	21	20	19	18	17	16
–	–	–	–	–	–	–	–
15	14	13	12	11	10	9	8
PTIME							
7	6	5	4	3	2	1	0
PTIME							

PTIME: Pause Time

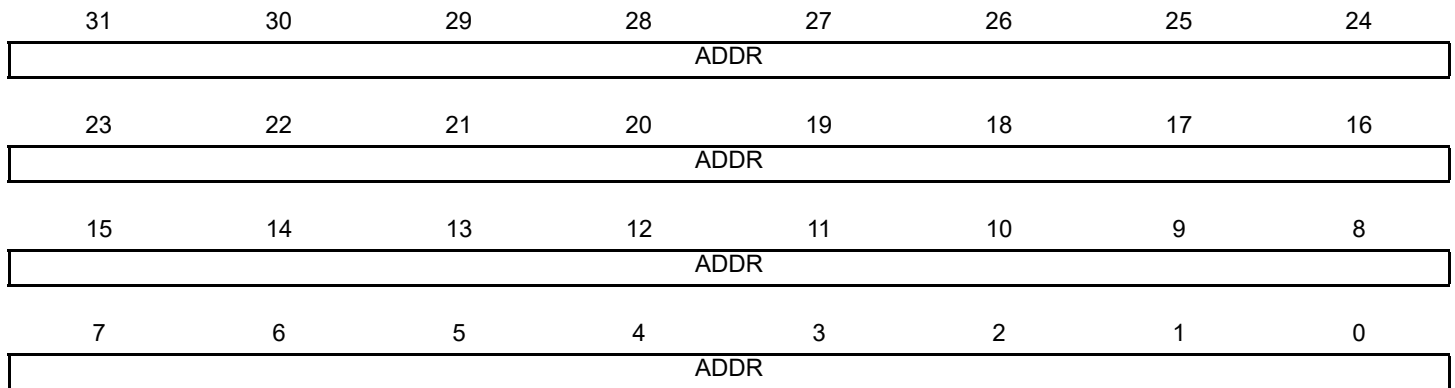
Stores the current value of the EMAC_PTR which is decremented every 512 bit times.

37.6.14 Hash Register Bottom

Name:EMAC_HRB

Address:0xF802C090

Access:Read/Write



ADDR: Hash Address Bottom

Bits 31:0 of the hash address register. See [Section 37.4.8 Hash Addressing](#).

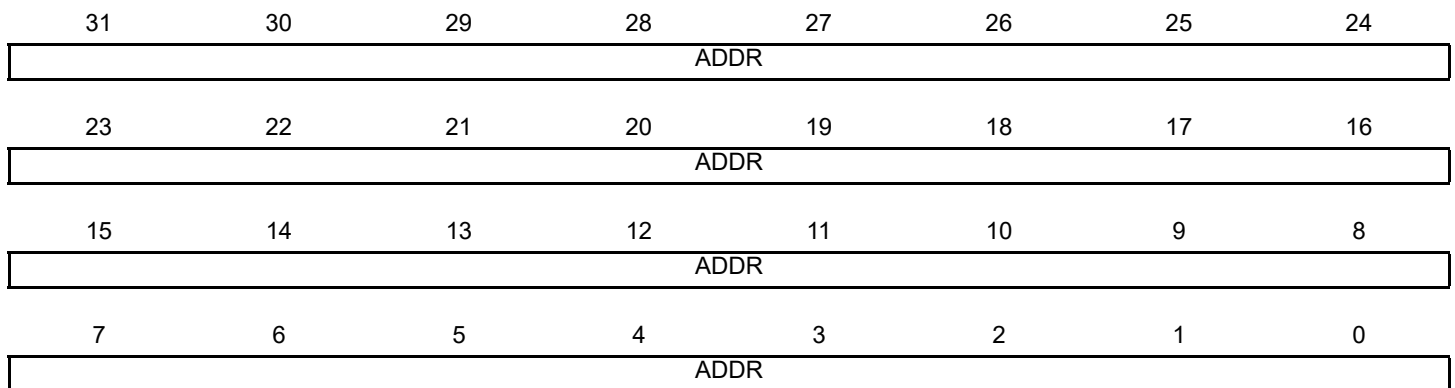
SAMA5D3 SERIES

37.6.15 Hash Register Top

Name:EMAC_HRT

Address:0xF802C094

Access:Read/Write



ADDR: Hash Address Top

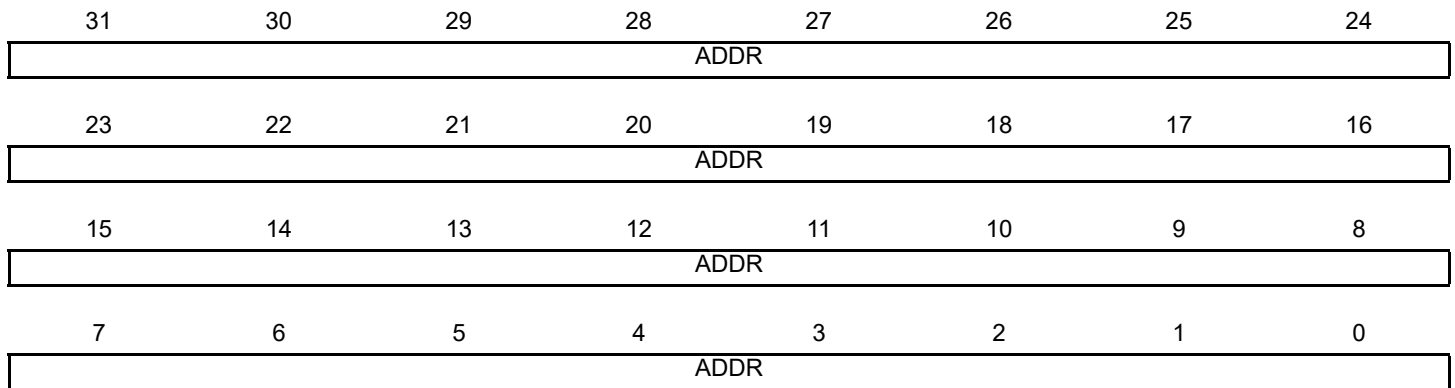
Bits 63:32 of the hash address register. See [Section 37.4.8 Hash Addressing](#).

37.6.16 Specific Address 1 Bottom Register

Name:EMAC_SA1B

Address:0xF802C098

Access:Read-write



ADDR: Specific Address 1 Bottom

Least significant bits of the destination address. Bit zero indicates whether the address is multicast or unicast and corresponds to the least significant bit of the first byte received.

SAMA5D3 SERIES

37.6.17 Specific Address 1 Top Register

Name:EMAC_SA1T

Address:0xF802C09C

Access:Read/Write

31	30	29	28	27	26	25	24
–	–	–	–	–	–	–	–
23	22	21	20	19	18	17	16
–	–	–	–	–	–	–	–
15	14	13	12	11	10	9	8
ADDR							
7	6	5	4	3	2	1	0
ADDR							

ADDR: Specific Address 1 Top

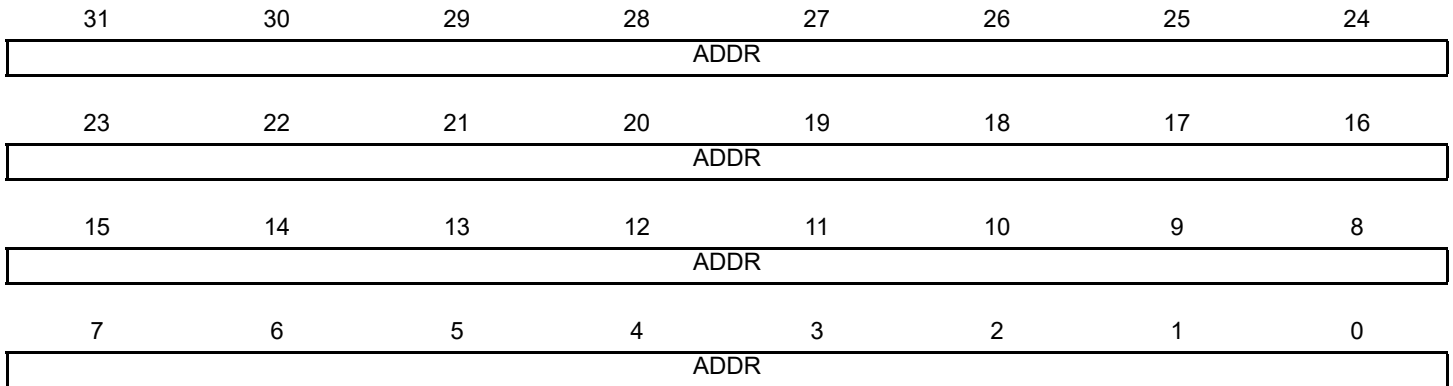
The most significant bits of the destination address, that is bits 47 to 32.

37.6.18 Specific Address 2 Bottom Register

Name:EMAC_SA2B

Address:0xF802C0A0

Access:Read-write



ADDR: Specific Address 2 Bottom

Least significant bits of the destination address. Bit zero indicates whether the address is multicast or unicast and corresponds to the least significant bit of the first byte received.

SAMA5D3 SERIES

37.6.19 Specific Address 2 Top Register

Name:EMAC_SA2T

Address:0xF802C0A4

Access:Read/Write

31	30	29	28	27	26	25	24
–	–	–	–	–	–	–	–
23	22	21	20	19	18	17	16
–	–	–	–	–	–	–	–
15	14	13	12	11	10	9	8
ADDR							
7	6	5	4	3	2	1	0
ADDR							

ADDR: Specific Address 2 Top

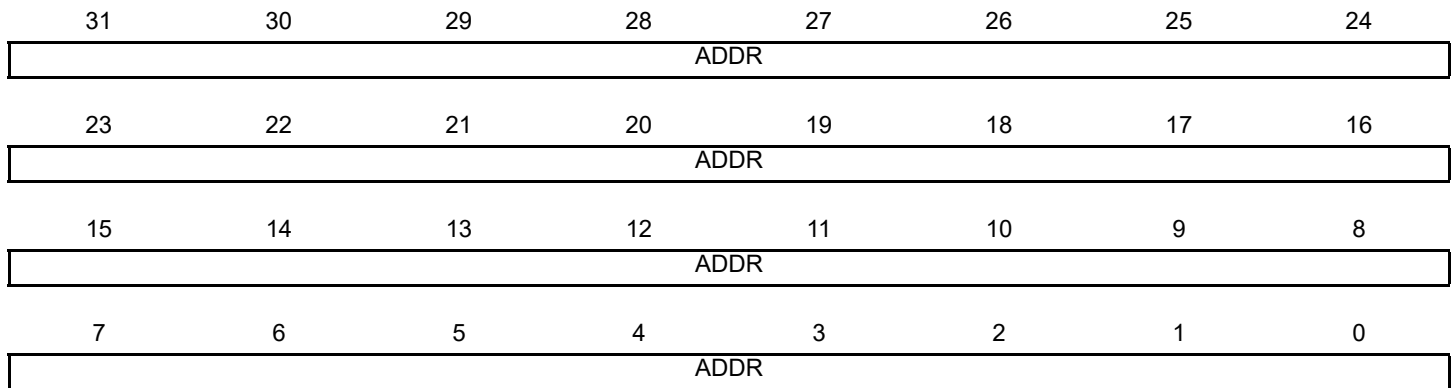
The most significant bits of the destination address, that is bits 47 to 32.

37.6.20 Specific Address 3 Bottom Register

Name:EMAC_SA3B

Address:0xF802C0A8

Access:Read-write



ADDR: Specific Address 3 Bottom

Least significant bits of the destination address. Bit zero indicates whether the address is multicast or unicast and corresponds to the least significant bit of the first byte received.

SAMA5D3 SERIES

37.6.21 Specific Address 3 Top Register

Name:EMAC_SA3T

Address:0xF802C0AC

Access:Read-write

31	30	29	28	27	26	25	24
–	–	–	–	–	–	–	–
23	22	21	20	19	18	17	16
–	–	–	–	–	–	–	–
15	14	13	12	11	10	9	8
ADDR							
7	6	5	4	3	2	1	0
ADDR							

ADDR: Specific Address 3 Top

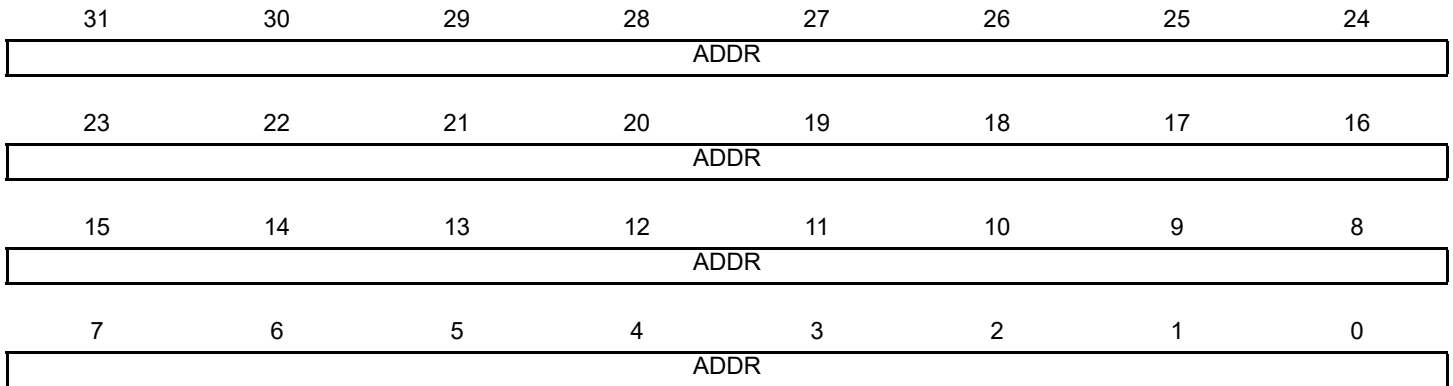
The most significant bits of the destination address, that is bits 47 to 32.

37.6.22 Specific Address 4 Bottom Register

Name:EMAC_SA4B

Address:0xF802C0B0

Access:Read-write



ADDR: Specific Address 4 Bottom

Least significant bits of the destination address. Bit zero indicates whether the address is multicast or unicast and corresponds to the least significant bit of the first byte received.

SAMA5D3 SERIES

37.6.23 Specific Address 4 Top Register

Name:EMAC_SA4T

Address:0xF802C0B4

Access:Read-write

31	30	29	28	27	26	25	24
–	–	–	–	–	–	–	–
23	22	21	20	19	18	17	16
–	–	–	–	–	–	–	–
15	14	13	12	11	10	9	8
ADDR							
7	6	5	4	3	2	1	0
ADDR							

ADDR: Specific Address 4 Top

The most significant bits of the destination address, that is bits 47 to 32.

37.6.24 Type ID Checking Register

Name:EMAC_TID

Address:0xF802C0B8

Access:Read/Write

31	30	29	28	27	26	25	24
–	–	–	–	–	–	–	–
23	22	21	20	19	18	17	16
–	–	–	–	–	–	–	–
15	14	13	12	11	10	9	8
TID							
7	6	5	4	3	2	1	0
TID							

TID: Type ID Checking

For use in comparisons with received frames TypeID/Length field.

SAMA5D3 SERIES

37.6.25 User Input/Output Register

Name:EMAC_USRIO

Address:0xF802C0C0

Access:Read/Write

31	30	29	28	27	26	25	24
–	–	–	–	–	–	–	–
23	22	21	20	19	18	17	16
–	–	–	–	–	–	–	–
15	14	13	12	11	10	9	8
–	–	–	–	–	–	–	–
7	6	5	4	3	2	1	0
–	–	–	–	–	–	CLKEN	RMII

RMII: Reduced MII

When set, this bit enables the RMII operation mode.

CLKEN: Clock Enable

0: Reduces power consumption when the transceiver is not used

1: Enables the transceiver input clock

37.6.26 Wake-on-LAN Register

Name:EMAC_WOL

Address:0xF802C0C4

Access:Read/Write

31	30	29	28	27	26	25	24
–	–	–	–	–	–	–	–
23	22	21	20	19	18	17	16
–	–	–	–	MTI	SA1	ARP	MAG
15	14	13	12	11	10	9	8
IP							
7	6	5	4	3	2	1	0
IP							

IP: ARP Request IP Address

Written to define the least significant 16 bits of the target IP address that is matched to generate a Wake-on-LAN event. A value of zero does not generate an event, even if this is matched by the received frame.

MAG: Magic Packet Event Enable

When set, magic packet events causes the wol output to be asserted.

ARP: ARP Request Event Enable

When set, ARP request events causes the wol output to be asserted.

SA1: Specific Address Register 1 Event Enable

When set, specific address 1 events causes the wol output to be asserted.

MTI: Multicast Hash Event Enable

When set, multicast hash events causes the wol output to be asserted.

37.6.27 EMAC Statistics Registers

These registers reset to zero on a read and stick at all ones when they count to their maximum value. They should be read frequently enough to prevent loss of data. The receive statistics registers are only incremented when the 'Receive Enable' bit is set in the Network Control Register (EMAC_NCR). To write to these registers, bit 7 must be set in the EMAC_NCR. The statistics register block contains the following registers.

37.6.27.1 Pause Frames Received Register

Name:EMAC_PFR

Address:0xF802C03C

Access:Read-write

31	30	29	28	27	26	25	24
–	–	–	–	–	–	–	–
23	22	21	20	19	18	17	16
–	–	–	–	–	–	–	–
15	14	13	12	11	10	9	8
FROK							
7	6	5	4	3	2	1	0
FROK							

FROK: Pause Frames Received OK

A 16-bit register counting the number of good pause frames received. A good frame has a length of 64 to 1518 (1536 if bit 8 set in EMAC_NCFGR) and has no FCS, alignment or receive symbol errors.

SAMA5D3 SERIES

37.6.27.2 Frames Transmitted OK Register

Name:EMAC_FTO

Address:0xF802C040

Access:Read-write

31	30	29	28	27	26	25	24
–	–	–	–	–	–	–	–
23	22	21	20	19	18	17	16
FTOK							
15	14	13	12	11	10	9	8
FTOK							
7	6	5	4	3	2	1	0
FTOK							

FTOK: Frames Transmitted OK

A 24-bit register counting the number of frames successfully transmitted, i.e., no underrun and not too many retries.

37.6.27.3 Single Collision Frames Register

Name:EMAC_SCF

Address:0xF802C044

Access:Read-write

31	30	29	28	27	26	25	24
–	–	–	–	–	–	–	–
23	22	21	20	19	18	17	16
–	–	–	–	–	–	–	–
15	14	13	12	11	10	9	8
SCF							
7	6	5	4	3	2	1	0
SCF							

SCF: Single Collision Frames

A 16-bit register counting the number of frames experiencing a single collision before being successfully transmitted, i.e., no underrun.

SAMA5D3 SERIES

37.6.27.4 Multicollision Frames Register

Name:EMAC_MCF

Address:0xF802C048

Access:Read-write

31	30	29	28	27	26	25	24
–	–	–	–	–	–	–	–
23	22	21	20	19	18	17	16
–	–	–	–	–	–	–	–
15	14	13	12	11	10	9	8
MCF							
7	6	5	4	3	2	1	0
MCF							

MCF: Multicollision Frames

A 16-bit register counting the number of frames experiencing between two and fifteen collisions prior to being successfully transmitted, i.e., no underrun and not too many retries.

37.6.27.5 Frames Received OK Register

Name:EMAC_FRO

Address:0xF802C04C

Access:Read-write

31	30	29	28	27	26	25	24
–	–	–	–	–	–	–	–
23	22	21	20	19	18	17	16
FROK							
15	14	13	12	11	10	9	8
FROK							
7	6	5	4	3	2	1	0
FROK							

FROK: Frames Received OK

A 24-bit register counting the number of good frames received, i.e., address recognized and successfully copied to memory. A good frame is of length 64 to 1518 bytes (1536 if bit 8 set in EMAC_NCFGR) and has no FCS, alignment or receive symbol errors.

SAMA5D3 SERIES

37.6.27.6 Frames Check Sequence Errors Register

Name:EMAC_FCSE

Address:0xF802C050

Access:Read-write

31	30	29	28	27	26	25	24
–	–	–	–	–	–	–	–
23	22	21	20	19	18	17	16
–	–	–	–	–	–	–	–
15	14	13	12	11	10	9	8
–	–	–	–	–	–	–	–
7	6	5	4	3	2	1	0
FCSE							

FCSE: Frame Check Sequence Errors

An 8-bit register counting frames that are an integral number of bytes, have bad CRC and are between 64 and 1518 bytes in length (1536 if bit 8 set in EMAC_NCFGFR). This register is also incremented if a symbol error is detected and the frame is of valid length and has an integral number of bytes.

37.6.27.7 Alignment Errors Register

Name:EMAC_ALE

Address:0xF802C054

Access:Read-write

31	30	29	28	27	26	25	24
–	–	–	–	–	–	–	–
23	22	21	20	19	18	17	16
–	–	–	–	–	–	–	–
15	14	13	12	11	10	9	8
–	–	–	–	–	–	–	–
7	6	5	4	3	2	1	0
ALE							

ALE: Alignment Errors

An 8-bit register counting frames that are not an integral number of bytes long and have bad CRC when their length is truncated to an integral number of bytes and are between 64 and 1518 bytes in length (1536 if bit 8 set in EMAC_NCFGR). This register is also incremented if a symbol error is detected and the frame is of valid length and does not have an integral number of bytes.

SAMA5D3 SERIES

37.6.27.8 Deferred Transmission Frames Register

Name:EMAC_DTF

Address:0xF802C058

Access:Read-write

31	30	29	28	27	26	25	24
–	–	–	–	–	–	–	–
23	22	21	20	19	18	17	16
–	–	–	–	–	–	–	–
15	14	13	12	11	10	9	8
DTF							
7	6	5	4	3	2	1	0
DTF							

DTF: Deferred Transmission Frames

A 16-bit register counting the number of frames experiencing deferral due to carrier sense being active on their first attempt at transmission. Frames involved in any collision are not counted nor are frames that experienced a transmit underrun.

37.6.27.9 Late Collisions Register

Name:EMAC_LCOL

Address:0xF802C05C

Access:Read-write

31	30	29	28	27	26	25	24
–	–	–	–	–	–	–	–
23	22	21	20	19	18	17	16
–	–	–	–	–	–	–	–
15	14	13	12	11	10	9	8
–	–	–	–	–	–	–	–
7	6	5	4	3	2	1	0
LCOL							

LCOL: Late Collisions

An 8-bit register counting the number of frames that experience a collision after the slot time (512 bits) has expired. A late collision is counted twice; i.e., both as a collision and a late collision.

SAMA5D3 SERIES

37.6.27.10 Excessive Collisions Register

Name:EMAC_ECOL

Address:0xF802C060

Access:Read-write

31	30	29	28	27	26	25	24
–	–	–	–	–	–	–	–
23	22	21	20	19	18	17	16
–	–	–	–	–	–	–	–
15	14	13	12	11	10	9	8
–	–	–	–	–	–	–	–
7	6	5	4	3	2	1	0
EXCOL							

EXCOL: Excessive Collisions

An 8-bit register counting the number of frames that failed to be transmitted because they experienced 16 collisions.

37.6.27.11 Transmit Underrun Errors Register

Name:EMAC_TUND

Address:0xF802C064

Access:Read-write

31	30	29	28	27	26	25	24
–	–	–	–	–	–	–	–
23	22	21	20	19	18	17	16
–	–	–	–	–	–	–	–
15	14	13	12	11	10	9	8
–	–	–	–	–	–	–	–
7	6	5	4	3	2	1	0
TUND							

TUND: Transmit Underruns

An 8-bit register counting the number of frames not transmitted due to a transmit DMA underrun. If this register is incremented, then no other statistics register is incremented.

SAMA5D3 SERIES

37.6.27.12 Carrier Sense Errors Register

Name:EMAC_CSE

Address:0xF802C068

Access:Read-write

31	30	29	28	27	26	25	24
–	–	–	–	–	–	–	–
23	22	21	20	19	18	17	16
–	–	–	–	–	–	–	–
15	14	13	12	11	10	9	8
–	–	–	–	–	–	–	–
7	6	5	4	3	2	1	0
CSE							

CSE: Carrier Sense Errors

An 8-bit register counting the number of frames transmitted where carrier sense was not seen during transmission or where carrier sense was deasserted after being asserted in a transmit frame without collision (no underrun). Only incremented in half-duplex mode. The only effect of a carrier sense error is to increment this register. The behavior of the other statistics registers is unaffected by the detection of a carrier sense error.

37.6.27.13 Receive Resource Errors Register

Name:EMAC_RRE

Address:0xF802C06C

Access:Read-write

31	30	29	28	27	26	25	24
–	–	–	–	–	–	–	–
23	22	21	20	19	18	17	16
–	–	–	–	–	–	–	–
15	14	13	12	11	10	9	8
RRE							
7	6	5	4	3	2	1	0
RRE							

RRE: Receive Resource Errors

A 16-bit register counting the number of frames that were address matched but could not be copied to memory because no receive buffer was available.

SAMA5D3 SERIES

37.6.27.14 Receive Overrun Errors Register

Name:EMAC_ROV

Address:0xF802C070

Access:Read-write

31	30	29	28	27	26	25	24
–	–	–	–	–	–	–	–
23	22	21	20	19	18	17	16
–	–	–	–	–	–	–	–
15	14	13	12	11	10	9	8
–	–	–	–	–	–	–	–
7	6	5	4	3	2	1	0
ROVR							

ROVR: Receive Overrun

An 8-bit register counting the number of frames that are address recognized but were not copied to memory due to a receive DMA overrun.

37.6.27.15 Receive Symbol Errors Register

Name:EMAC_RSE

Address:0xF802C074

Access:Read-write

31	30	29	28	27	26	25	24
–	–	–	–	–	–	–	–
23	22	21	20	19	18	17	16
–	–	–	–	–	–	–	–
15	14	13	12	11	10	9	8
–	–	–	–	–	–	–	–
7	6	5	4	3	2	1	0
RSE							

RSE: Receive Symbol Errors

An 8-bit register counting the number of frames that had rx_er asserted during reception. Receive symbol errors are also counted as an FCS or alignment error if the frame is between 64 and 1518 bytes in length (1536 if bit 8 is set in the EMAC_NCFGR). If the frame is larger, it is recorded as a jabber error.

SAMA5D3 SERIES

37.6.27.16 Excessive Length Errors Register

Name:EMAC_ELE

Address:0xF802C078

Access:Read-write

31	30	29	28	27	26	25	24
–	–	–	–	–	–	–	–
23	22	21	20	19	18	17	16
–	–	–	–	–	–	–	–
15	14	13	12	11	10	9	8
–	–	–	–	–	–	–	–
7	6	5	4	3	2	1	0
EXL							

EXL: Excessive Length Errors

An 8-bit register counting the number of frames received exceeding 1518 bytes (1536 if bit 8 set in EMAC_NCFGFR) in length but do not have either a CRC error, an alignment error nor a receive symbol error.

37.6.27.17 Receive Jabbers Register

Name:EMAC_RJA

Address:0xF802C07C

Access:Read-write

31	30	29	28	27	26	25	24
–	–	–	–	–	–	–	–
23	22	21	20	19	18	17	16
–	–	–	–	–	–	–	–
15	14	13	12	11	10	9	8
–	–	–	–	–	–	–	–
7	6	5	4	3	2	1	0
RJB							

RJB: Receive Jabbers

An 8-bit register counting the number of frames received exceeding 1518 bytes (1536 if bit 8 set in EMAC_NCFGR) in length and have either a CRC error, an alignment error or a receive symbol error.

SAMA5D3 SERIES

37.6.27.18 Undersize Frames Register

Name:EMAC_USF

Address:0xF802C080

Access:Read-write

31	30	29	28	27	26	25	24
–	–	–	–	–	–	–	–
23	22	21	20	19	18	17	16
–	–	–	–	–	–	–	–
15	14	13	12	11	10	9	8
–	–	–	–	–	–	–	–
7	6	5	4	3	2	1	0
USF							

USF: Undersize Frames

An 8-bit register counting the number of frames received less than 64 bytes in length but do not have either a CRC error, an alignment error or a receive symbol error.

37.6.27.19 SQE Test Errors Register

Name:EMAC_STE

Address:0xF802C084

Access:Read-write

31	30	29	28	27	26	25	24
–	–	–	–	–	–	–	–
23	22	21	20	19	18	17	16
–	–	–	–	–	–	–	–
15	14	13	12	11	10	9	8
–	–	–	–	–	–	–	–
7	6	5	4	3	2	1	0
SQER							

SQER: SQE Test Errors

An 8-bit register counting the number of frames where col was not asserted within 96 bit times (an interframe gap) of tx_en being deasserted in half duplex mode.

SAMA5D3 SERIES

37.6.27.20 Received Length Field Mismatch Register

Name:EMAC_RLE

Address:0xF802C088

Access:Read-write

31	30	29	28	27	26	25	24
–	–	–	–	–	–	–	–
23	22	21	20	19	18	17	16
–	–	–	–	–	–	–	–
15	14	13	12	11	10	9	8
–	–	–	–	–	–	–	–
7	6	5	4	3	2	1	0
RLFM							

RLFM: Receive Length Field Mismatch

An 8-bit register counting the number of frames received that have a measured length shorter than that extracted from its length field. Checking is enabled through bit 16 of the EMAC_NCFGR. Frames containing a type ID in bytes 13 and 14 (i.e., length/type ID = 0x0600) are not counted as length field errors, neither are excessive length frames.

38. High Speed Multimedia Card Interface (HSMCI)

38.1 Description

The High Speed Multimedia Card Interface (HSMCI) supports the MultiMedia Card (MMC) Specification V4.3, the SD Memory Card Specification V2.0, the SDIO V2.0 specification and CE-ATA V1.1.

The HSMCI includes a command register, response registers, data registers, timeout counters and error detection logic that automatically handle the transmission of commands and, when required, the reception of the associated responses and data with a limited processor overhead.

The HSMCI supports stream, block and multi block data read and write, and is compatible with the DMA Controller (DMAC), minimizing processor intervention for large buffer transfers.

The HSMCI operates at a rate of up to Master Clock divided by 2 and supports the interfacing of 1 slot(s). Each slot may be used to interface with a High Speed MultiMedia Card bus (up to 30 Cards) or with an SD Memory Card. A bit field in the SD Card Register performs this selection.

The SD Memory Card communication is based on a 9-pin interface (clock, command, four data and three power lines) and the High Speed MultiMedia Card on a 7-pin interface (clock, command, one data, three power lines and one reserved for future use).

The SD Memory Card interface also supports High Speed MultiMedia Card operations. The main differences between SD and High Speed MultiMedia Cards are the initialization process and the bus topology.

HSMCI fully supports CE-ATA Revision 1.1, built on the MMC System Specification v4.0. The module includes dedicated hardware to issue the command completion signal and capture the host command completion signal disable.

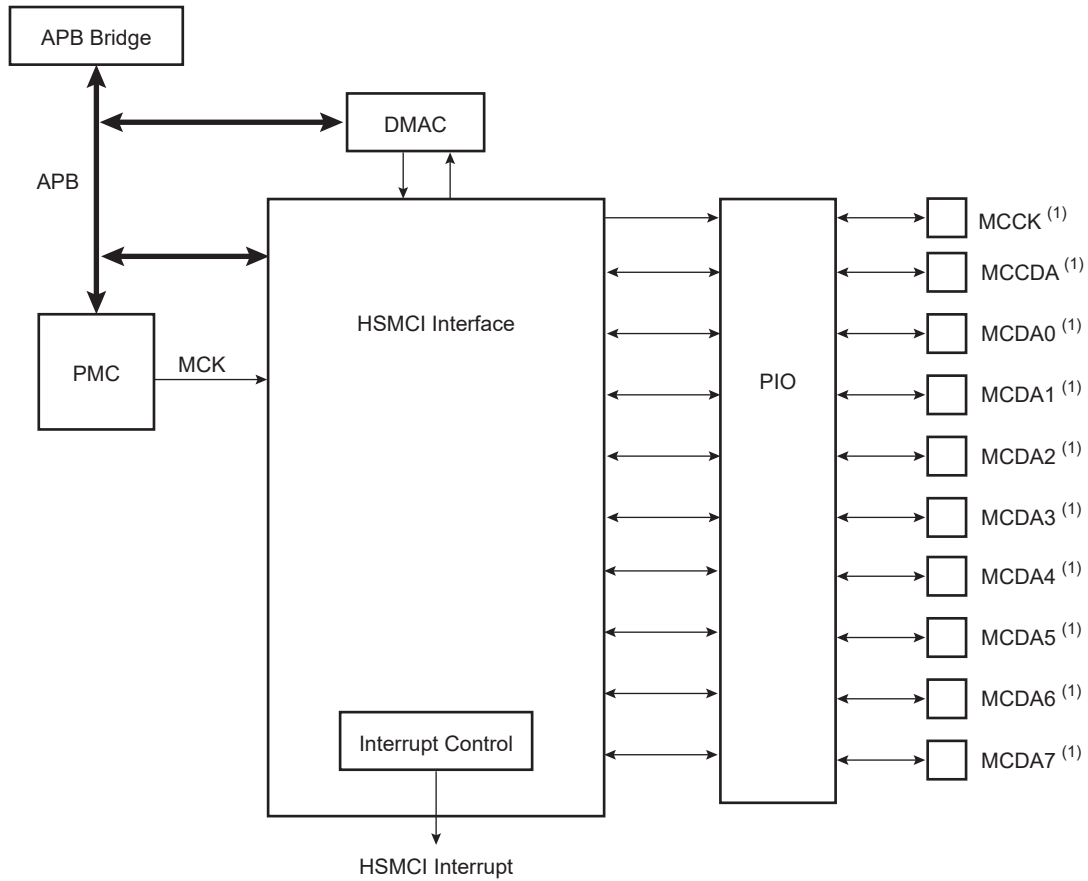
38.2 Embedded Characteristics

- Compatible with MultiMedia Card Specification Version 4.3
- Compatible with SD Memory Card Specification Version 2.0
- Compatible with SDIO Specification Version 2.0
- Compatible with CE-ATA Specification 1.1
- Cards Clock Rate Up to Master Clock Divided by 2
- Boot Operation Mode Support
- High Speed Mode Support
- Embedded Power Management to Slow Down Clock Rate When Not Used
- Supports 1 Multiplexed Slot(s)
 - Each Slot for either a High Speed MultiMedia Card Bus (Up to 30 Cards) or an SD Memory Card
- Support for Stream, Block and Multi-block Data Read and Write
- Supports Connection to DMA Controller (DMAC)
 - Minimizes Processor Intervention for Large Buffer Transfers
- Built in FIFO (from 16 to 256 bytes) with Large Memory Aperture Supporting Incremental Access
- Support for CE-ATA Completion Signal Disable Command
- Protection Against Unexpected Modification On-the-Fly of the Configuration Registers

SAMA5D3 SERIES

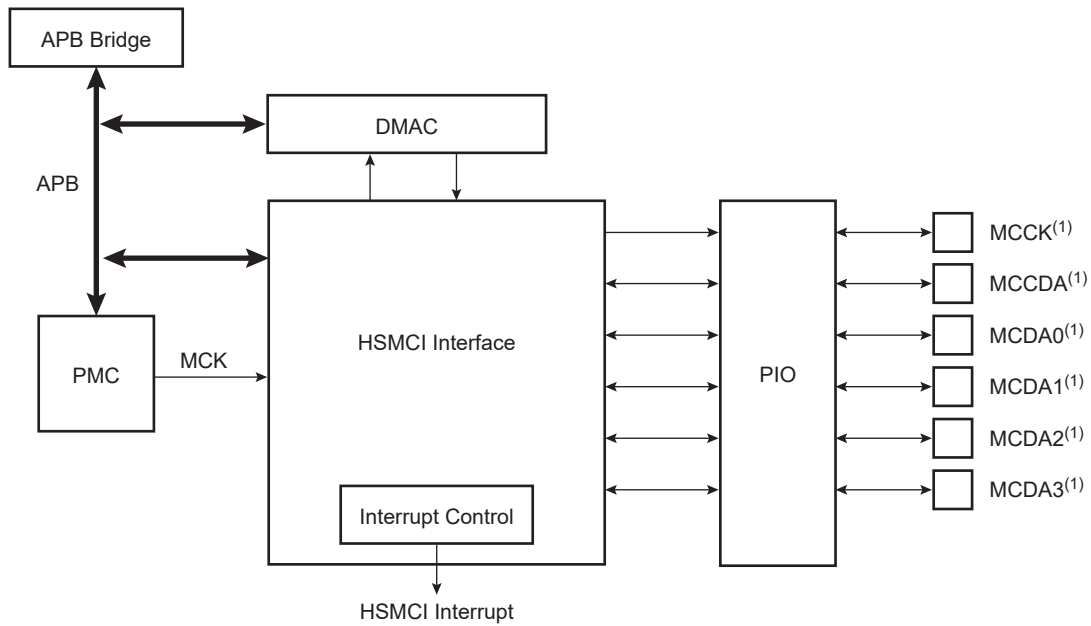
38.3 Block Diagram

Figure 38-1: Block Diagram (8-bit configuration)



Note 1: When several HSMCI (x HSMCI) are embedded in a product, MCCK refers to HSMCIx_CK, MCCDA to HSMCIx_CDA, MCDAy to HSMCIx_Day.

Figure 38-2: Block Diagram (4-bit configuration)

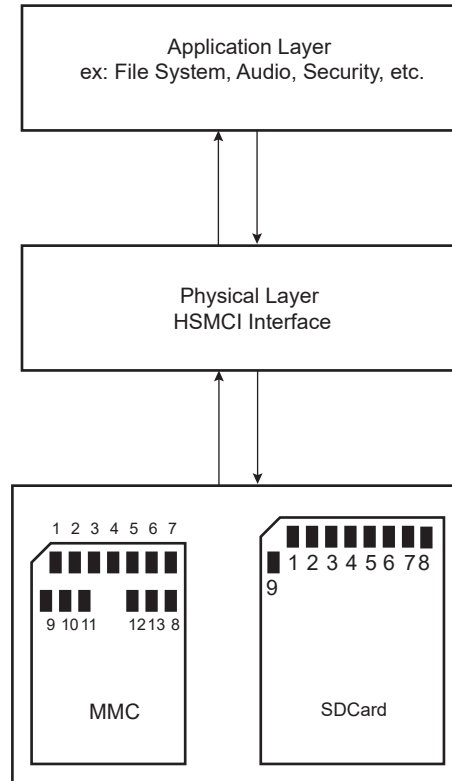


Note 1: When several HSMCI (x HSMCI) are embedded in a product, MCCK refers to HSMCIx_CK, MCCDA to HSMCIx_CDA, MCDAy to HSMCIx_DAy.

SAMA5D3 SERIES

38.4 Application Block Diagram

Figure 38-3: Application Block Diagram



38.5 Pin Name List

Table 38-1: I/O Lines Description for 8-bit Configuration

Pin Name ⁽¹⁾	Pin Description	Type ⁽²⁾	Comments
MCCDA/MCCDB	Command/response	I/O/PP/OD	CMD of an MMC or SDCard/SDIO
MCCK	Clock	I/O	CLK of an MMC or SD Card/SDIO
MCDA0–MCDA7	Data 0..7 of Slot A	I/O/PP	DAT[0..7] of an MMC DAT[0..3] of an SD Card/SDIO
MCDB0–MCDB7	Data 0..7 of Slot B	I/O/PP	DAT[0..7] of an MMC DAT[0..3] of an SD Card/SDIO

Note 1: When several HSMCI (x HSMCI) are embedded in a product, MCCK refers to HSMCIx_CK, MCCDA to HSMCIx_CDA, MCCDB to HSMCIx_CDB, MCCDC to HSMCIx_CDC, MCCDD to HSMCIx_CDD, MCDAy to HSMCIx_DAy, MCDBy to HSMCIx_DBy, MCDCy to HSMCIx_DCy, MCDDy to HSMCIx_DDy.

2: I: Input, O: Output, PP: Push/Pull, OD: Open Drain.

Table 38-2: I/O Lines Description for 4-bit Configuration

Pin Name ⁽¹⁾	Pin Description	Type ⁽²⁾	Comments
MCCDA/MCCDB	Command/response	I/O/PP/OD	CMD of an MMC or SDCard/SDIO
MCKK	Clock	I/O	CLK of an MMC or SD Card/SDIO
MCDA0–MCDA3	Data 0..3 of Slot A	I/O/PP	DAT[0..3] of an MMC DAT[0..3] of an SD Card/SDIO

Note 1: When several HSMCI (x HSMCI) are embedded in a product, MCKK refers to HSMCIx_CK, MCCDA to HSMCIx_CDA, MCDAy to HSMCIx_DAy.

2: I: Input, O: Output, PP: Push/Pull, OD: Open Drain.

38.6 Product Dependencies

38.6.1 I/O Lines

The pins used for interfacing the High Speed MultiMedia Cards or SD Cards are multiplexed with PIO lines. The programmer must first program the PIO controllers to assign the peripheral functions to HSMCI pins.

Table 38-3: I/O Lines

Instance	Signal	I/O Line	Peripheral
HSMCI0	MCI0_CDA	PD0	A
HSMCI0	MCI0_CK	PD9	A
HSMCI0	MCI0_DA0	PD1	A
HSMCI0	MCI0_DA1	PD2	A
HSMCI0	MCI0_DA2	PD3	A
HSMCI0	MCI0_DA3	PD4	A
HSMCI0	MCI0_DA4	PD5	A
HSMCI0	MCI0_DA5	PD6	A
HSMCI0	MCI0_DA6	PD7	A
HSMCI0	MCI0_DA7	PD8	A
HSMCI1	MCI1_CDA	PB19	A
HSMCI1	MCI1_CK	PB24	A
HSMCI1	MCI1_DA0	PB20	A
HSMCI1	MCI1_DA1	PB21	A
HSMCI1	MCI1_DA2	PB22	A
HSMCI1	MCI1_DA3	PB23	A
HSMCI2	MCI2_CDA	PC10	A
HSMCI2	MCI2_CK	PC15	A
HSMCI2	MCI2_DA0	PC11	A
HSMCI2	MCI2_DA1	PC12	A
HSMCI2	MCI2_DA2	PC13	A
HSMCI2	MCI2_DA3	PC14	A

SAMA5D3 SERIES

38.6.2 Power Management

The HSMCI is clocked through the Power Management Controller (PMC), so the programmer must first configure the PMC to enable the HSMCI clock.

38.6.3 Interrupt Sources

The HSMCI has an interrupt line connected to the interrupt controller.

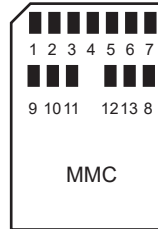
Handling the HSMCI interrupt requires programming the interrupt controller before configuring the HSMCI.

Table 38-4: Peripheral IDs

Instance	ID
HSMCI0	21
HSMCI1	22
HSMCI2	23

38.7 Bus Topology

Figure 38-4: High Speed MultiMedia Memory Card Bus Topology



The High Speed MultiMedia Card communication is based on a 13-pin serial bus interface. It has three communication lines and four supply lines.

Table 38-5: Bus Topology

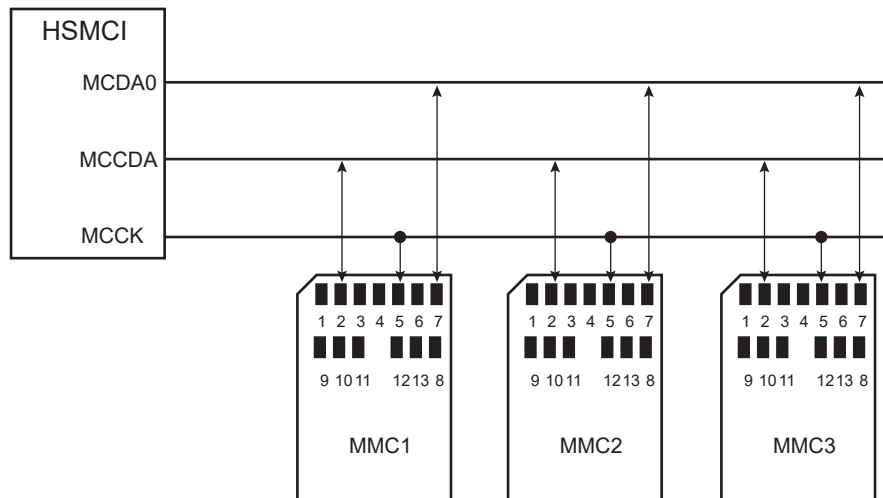
Pin Number	Name	Type ⁽¹⁾	Description	HSMCI Pin Name ⁽²⁾ (Slot z)
1	DAT[3]	I/O/PP	Data	MCDz3
2	CMD	I/O/PP/OD	Command/response	MCCDz
3	VSS1	S	Supply voltage ground	VSS
4	VDD	S	Supply voltage	VDD
5	CLK	I/O	Clock	MCCK
6	VSS2	S	Supply voltage ground	VSS
7	DAT[0]	I/O/PP	Data 0	MCDz0
8	DAT[1]	I/O/PP	Data 1	MCDz1
9	DAT[2]	I/O/PP	Data 2	MCDz2
10	DAT[4]	I/O/PP	Data 4	MCDz4
11	DAT[5]	I/O/PP	Data 5	MCDz5
12	DAT[6]	I/O/PP	Data 6	MCDz6
13	DAT[7]	I/O/PP	Data 7	MCDz7

Note 1: I: Input, O: Output, PP: Push/Pull, OD: Open Drain.

Note 2: When several HSMCI (x HSMCI) are embedded in a product, MCCK refers to HSMCIx_CK, MCCDA to HSMCIx_CDA, MCCDB to HSMCIx_CDB, MCDAy to HSMCIx_DAy, MCDBy to HSMCIx_DBy.

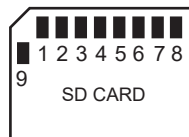
SAMA5D3 SERIES

Figure 38-5: MMC Bus Connections (One Slot)



Note: When several HSMCI (x HSMCI) are embedded in a product, MCK refers to HSMCIx_CK, MCCDA to HSMCIx_CDA, MCDAy to HSMCIx_Day.

Figure 38-6: SD Memory Card Bus Topology



The SD Memory Card bus includes the signals listed in [Table 38-6](#).

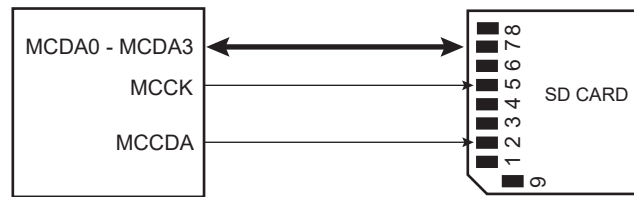
Table 38-6: SD Memory Card Bus Signals

Pin Number	Name	Type ⁽¹⁾	Description	HSMCI Pin Name ⁽²⁾ (Slot z)
1	CD/DAT[3]	I/O/PP	Card detect/ Data line Bit 3	MCDz3
2	CMD	PP	Command/response	MCCDz
3	VSS1	S	Supply voltage ground	VSS
4	VDD	S	Supply voltage	VDD
5	CLK	I/O	Clock	MCK
6	VSS2	S	Supply voltage ground	VSS
7	DAT[0]	I/O/PP	Data line Bit 0	MCDz0
8	DAT[1]	I/O/PP	Data line Bit 1 or Interrupt	MCDz1
9	DAT[2]	I/O/PP	Data line Bit 2	MCDz2

Note 1: I: input, O: output, PP: Push Pull, OD: Open Drain.

Note 2: When several HSMCI (x HSMCI) are embedded in a product, MCK refers to HSMCIx_CK, MCCDA to HSMCIx_CDA, MCCDB to HSMCIx_CDB, MCDAy to HSMCIx_Day, MCDBy to HSMCIx_DBy.

Figure 38-7: SD Card Bus Connections with One Slot



Note: When several HSMCI (x HSMCI) are embedded in a product, MCCK refers to HSMCIx_CK, MCCDA to HSMCIx_CDA MCDAy to HSMCIx_Day.

When the HSMCI is configured to operate with SD memory cards, the width of the data bus can be selected in the HSMCI_SDCR. Clearing the SDCBUS bit in this register means that the width is one bit; setting it means that the width is four bits. In the case of High Speed MultiMedia cards, only the data line 0 is used. The other data lines can be used as independent PIOs.

38.8 High Speed MultiMedia Card Operations

After a power-on reset, the cards are initialized by a special message-based High Speed MultiMedia Card bus protocol. Each message is represented by one of the following tokens:

- **Command**—A command is a token that starts an operation. A command is sent from the host either to a single card (addressed command) or to all connected cards (broadcast command). A command is transferred serially on the CMD line.
- **Response**—A response is a token which is sent from an addressed card or (synchronously) from all connected cards to the host as an answer to a previously received command. A response is transferred serially on the CMD line.
- **Data**—Data can be transferred from the card to the host or vice versa. Data is transferred via the data line.

Card addressing is implemented using a session address assigned during the initialization phase by the bus controller to all currently connected cards. Their unique CID number identifies individual cards.

The structure of commands, responses and data blocks is described in the High Speed MultiMedia Card System Specification. See also [Table 38-7 on page 1144](#).

High Speed MultiMedia Card bus data transfers are composed of these tokens.

There are different types of operations. Addressed operations always contain a command and a response token. In addition, some operations have a data token; the others transfer their information directly within the command or response structure. In this case, no data token is present in an operation. The bits on the DAT and the CMD lines are transferred synchronous to the clock HSMCI clock.

Two types of data transfer commands are defined:

- **Sequential commands**—These commands initiate a continuous data stream. They are terminated only when a stop command follows on the CMD line. This mode reduces the command overhead to an absolute minimum.
- **Block-oriented commands**—These commands send a data block succeeded by CRC bits.

Both read and write operations allow either single or multiple block transmission. A multiple block transmission is terminated when a stop command follows on the CMD line similarly to the sequential read or when a multiple block transmission has a predefined block count (see [Section 38.8.2 Data Transfer Operation](#)).

The HSMCI provides a set of registers to perform the entire range of High Speed MultiMedia Card operations.

38.8.1 Command - Response Operation

After reset, the HSMCI is disabled and becomes valid after setting the MCIEN bit in the HSMCI_CR.

The PWSEN bit saves power by dividing the HSMCI clock by $2^{PWSDIV} + 1$ when the bus is inactive.

The two bits, RDPROOF and WRPROOF in the HSMCI Mode Register (HSMCI_MR) allow stopping the HSMCI clock during read or write access if the internal FIFO is full. This will ensure data integrity, not bandwidth.

All the timings for High Speed MultiMedia Card are defined in the High Speed MultiMedia Card System Specification.

The two bus modes (open drain and push/pull) needed to process all the operations are defined in the HSMCI Command Register (HSMCI_CMDR). The HSMCI_CMDR allows a command to be carried out.

SAMA5D3 SERIES

For example, to perform an ALL_SEND_CID command:

CMD	Host Command					N _{ID} Cycles			Response			High Impedance State		
	S	T	Content	CRC	E	Z	*****	Z	S	T	CID Content	Z	Z	Z

The command ALL_SEND_CID and the fields and values for the HSMCI_CMDR are described in [Table 38-7](#) and [Table 38-8](#).

Table 38-7: ALL_SEND_CID Command Description

CMD Index	Type	Argument	Response	Abbreviation	Command Description
CMD2	bcr ⁽¹⁾)	[31:0] stuff bits	R2	ALL_SEND_CID	Asks all cards to send their CID numbers on the CMD line

Note 1: bcr means broadcast command with response.

Table 38-8: Fields and Values for HSMCI_CMDR

Field	Value
CMDNB (command number)	2 (CMD2)
RSPTYP (response type)	2 (R2: 136 bits response)
SPCMD (special command)	0 (not a special command)
OPCMD (open drain command)	1
MAXLAT (max latency for command to response)	0 (NID cycles ==> 5 cycles)
TRCMD (transfer command)	0 (No transfer)
TRDIR (transfer direction)	X (available only in transfer command)
TRTYP (transfer type)	X (available only in transfer command)
IOSPCMD (SDIO special command)	0 (not a special command)

The HSMCI_ARGR contains the argument field of the command.

To send a command, the user must perform the following steps:

- Fill the argument register (HSMCI_ARGR) with the command argument.
- Set the command register (HSMCI_CMDR) (see [Table 38-8](#)).

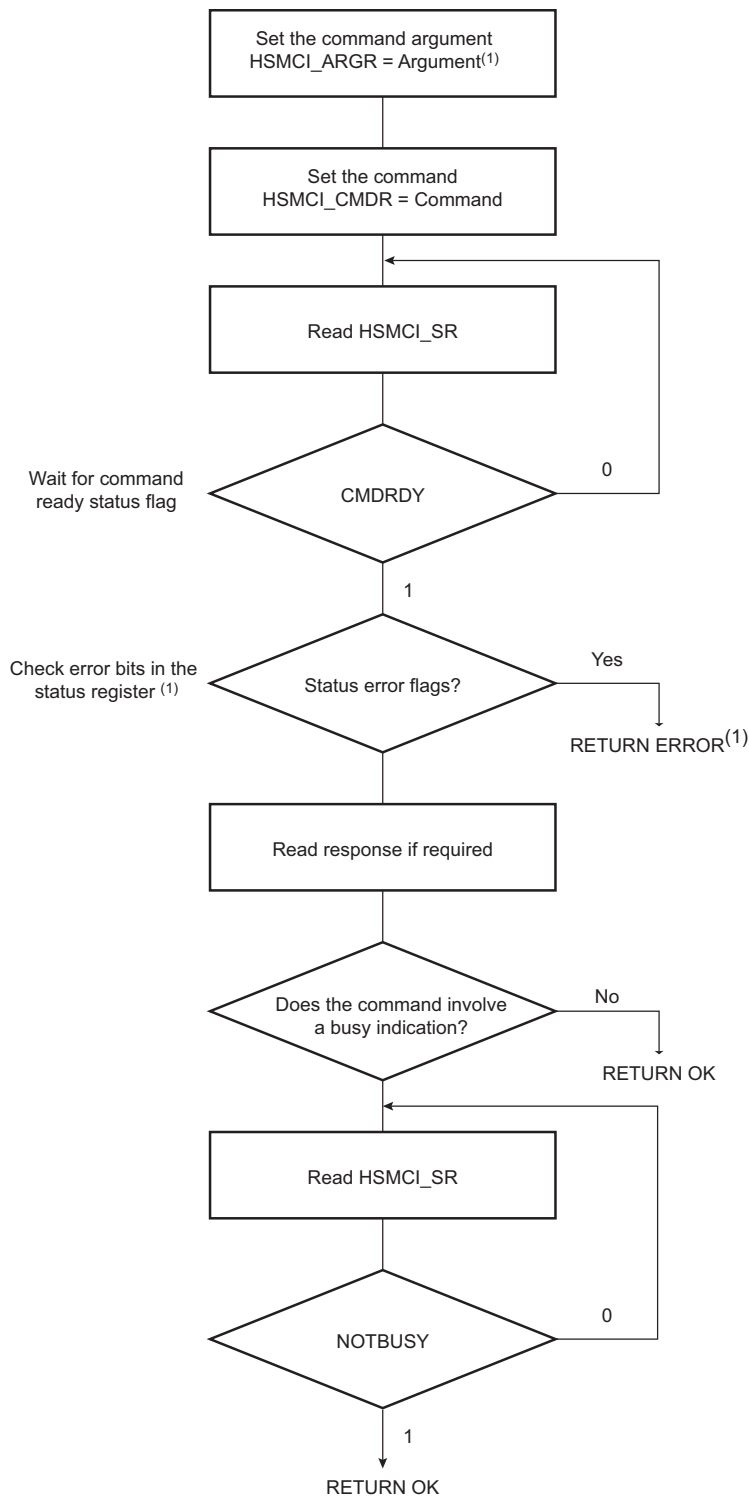
The command is sent immediately after writing the command register.

While the card maintains a busy indication (at the end of a STOP_TRANSMISSION command CMD12, for example), a new command shall not be sent. The NOTBUSY flag in the Status Register (HSMCI_SR) is asserted when the card releases the busy indication.

If the command requires a response, it can be read in the HSMCI Response Register (HSMCI_RSPR). The response size can be from 48 bits up to 136 bits depending on the command. The HSMCI embeds an error detection to prevent any corrupted data during the transfer.

The following flowchart shows how to send a command to the card and read the response if needed. In this example, the status register bits are polled but setting the appropriate bits in the HSMCI Interrupt Enable Register (HSMCI_IER) allows using an interrupt method.

Figure 38-8: Command/Response Functional Flow Diagram



Note: If the command is SEND_OP_COND, the CRC error flag is always present (refer to R3 response in the High Speed MultiMedia Card specification).

SAMA5D3 SERIES

38.8.2 Data Transfer Operation

The High Speed MultiMedia Card allows several read/write operations (single block, multiple blocks, stream, etc.). These kinds of transfer can be selected setting the Transfer Type (TRTYP) field in the HSMCI Command Register (HSMCI_CMDR).

These operations can be done using the features of the DMA Controller.

In all cases, the block length (BLKLEN field) must be defined either in the HSMCI Mode Register (HSMCI_MR) or in the HSMCI Block Register (HSMCI_BLKCR). This field determines the size of the data block.

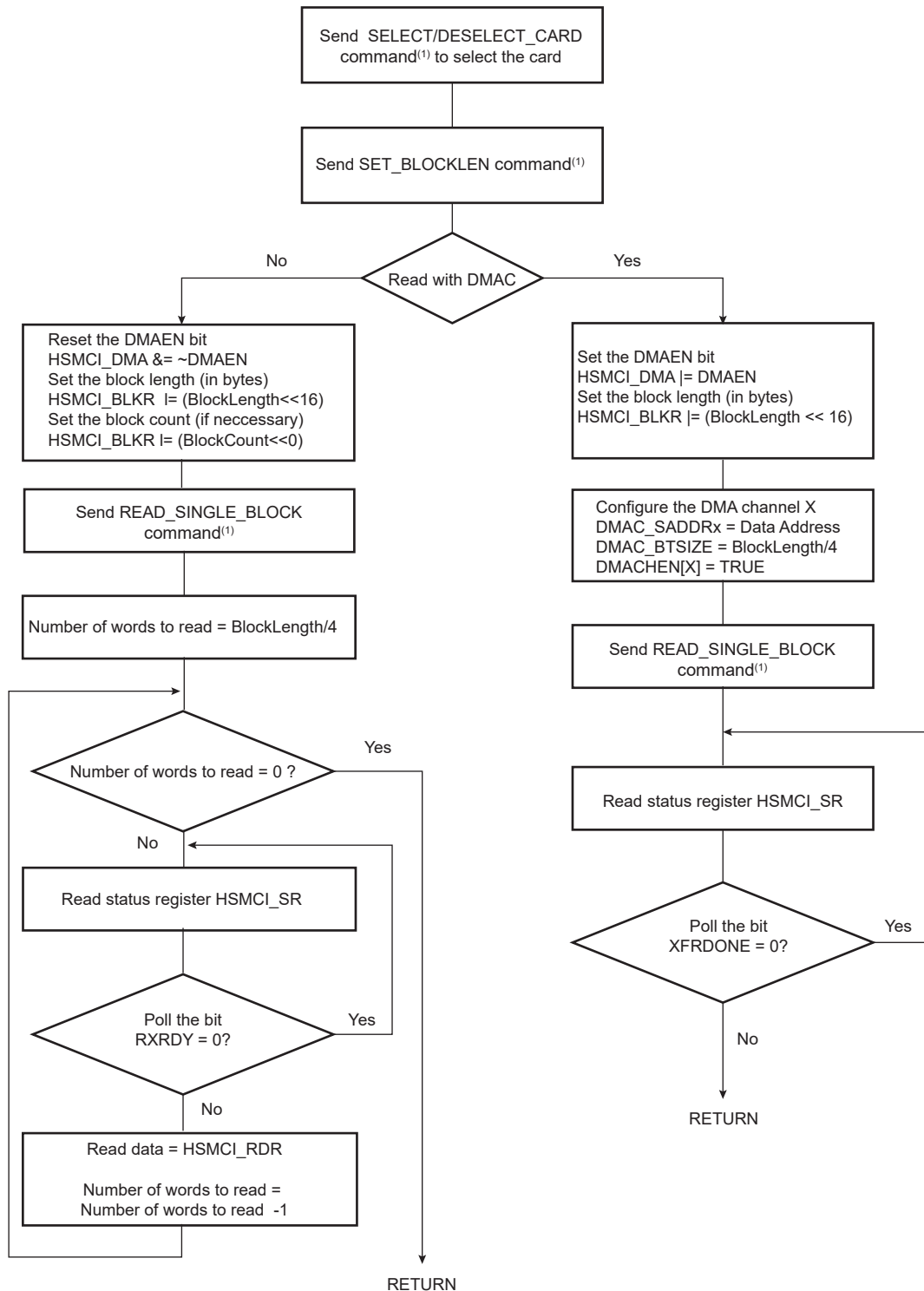
Consequent to MMC Specification 3.1, two types of multiple block read (or write) transactions are defined (the host can use either one at any time):

- Open-ended/Infinite Multiple block read (or write):
The number of blocks for the read (or write) multiple block operation is not defined. The card will continuously transfer (or program) data blocks until a stop transmission command is received.
- Multiple block read (or write) with predefined block count (since version 3.1 and higher):
The card will transfer (or program) the requested number of data blocks and terminate the transaction. The stop command is not required at the end of this type of multiple block read (or write), unless terminated with an error. In order to start a multiple block read (or write) with predefined block count, the host must correctly program the HSMCI Block Register (HSMCI_BLKCR). Otherwise the card will start an open-ended multiple block read. The BCNT field of the HSMCI_BLKCR defines the number of blocks to transfer (from 1 to 65535 blocks). Programming the value 0 in the BCNT field corresponds to an infinite block transfer.

38.8.3 Read Operation

The following flowchart ([Figure 38-9](#)) shows how to read a single block with or without use of DMAC facilities. In this example, a polling method is used to wait for the end of read. Similarly, the user can configure the HSMCI Interrupt Enable Register (HSMCI_IER) to trigger an interrupt at the end of read.

Figure 38-9: Read Functional Flow Diagram



Note 1: It is assumed that this command has been correctly sent (see [Figure 38-8](#)).

38.8.4 Write Operation

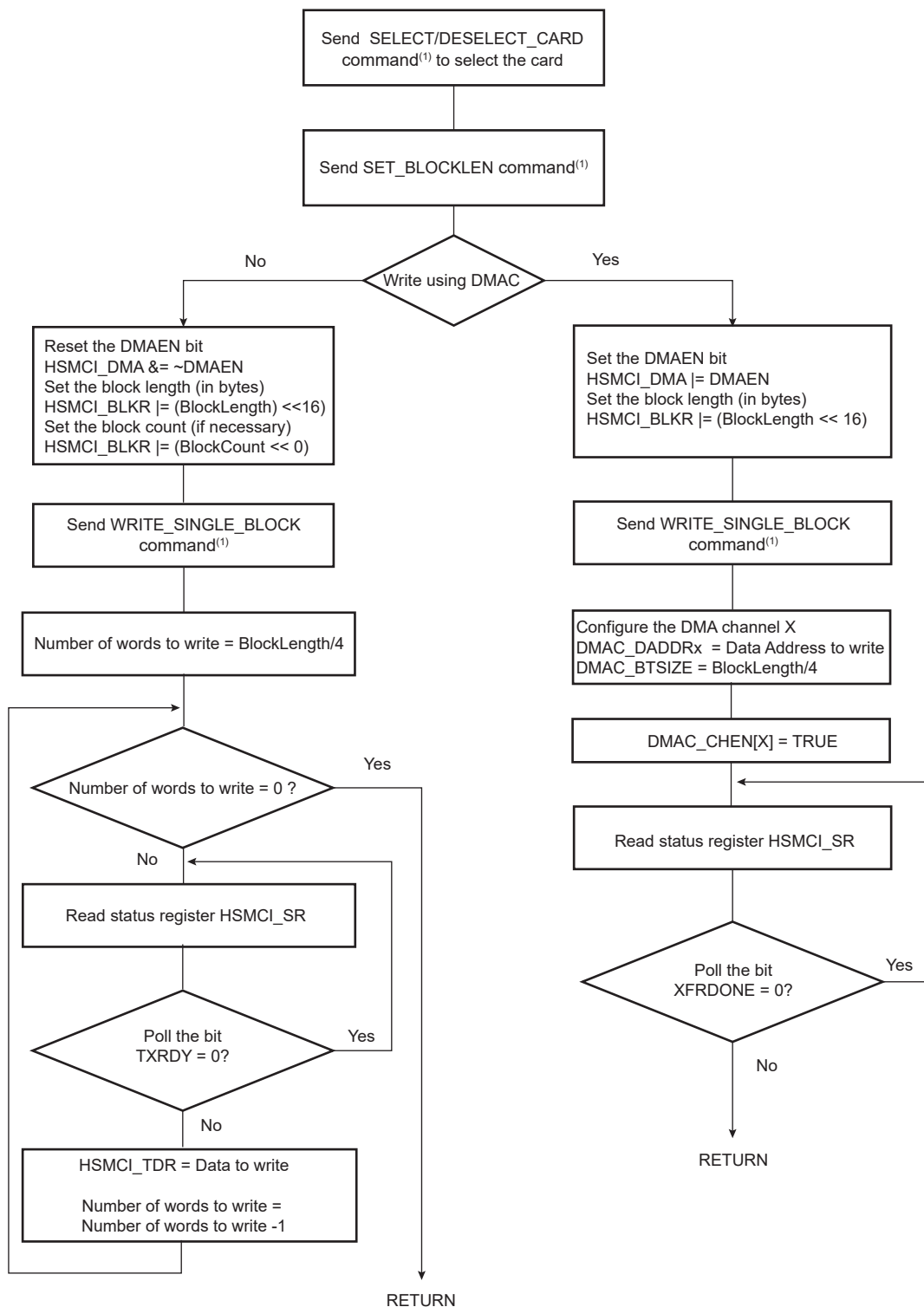
In write operation, the HSMCI Mode Register (HSMCI_MR) is used to define the padding value when writing non-multiple block size. If the bit PADV is 0, then 0x00 value is used when padding data, otherwise 0xFF is used.

If set, the bit DMAEN in the HSMCI DMA Configuration Register (HSMCI_DMA) enables DMA transfer.

SAMA5D3 SERIES

The flowchart in [Figure 38-10](#) shows how to write a single block with or without use of DMA facilities. Polling or interrupt method can be used to wait for the end of write according to the contents of the HSMCI Interrupt Mask Register (HSMCI_IMR).

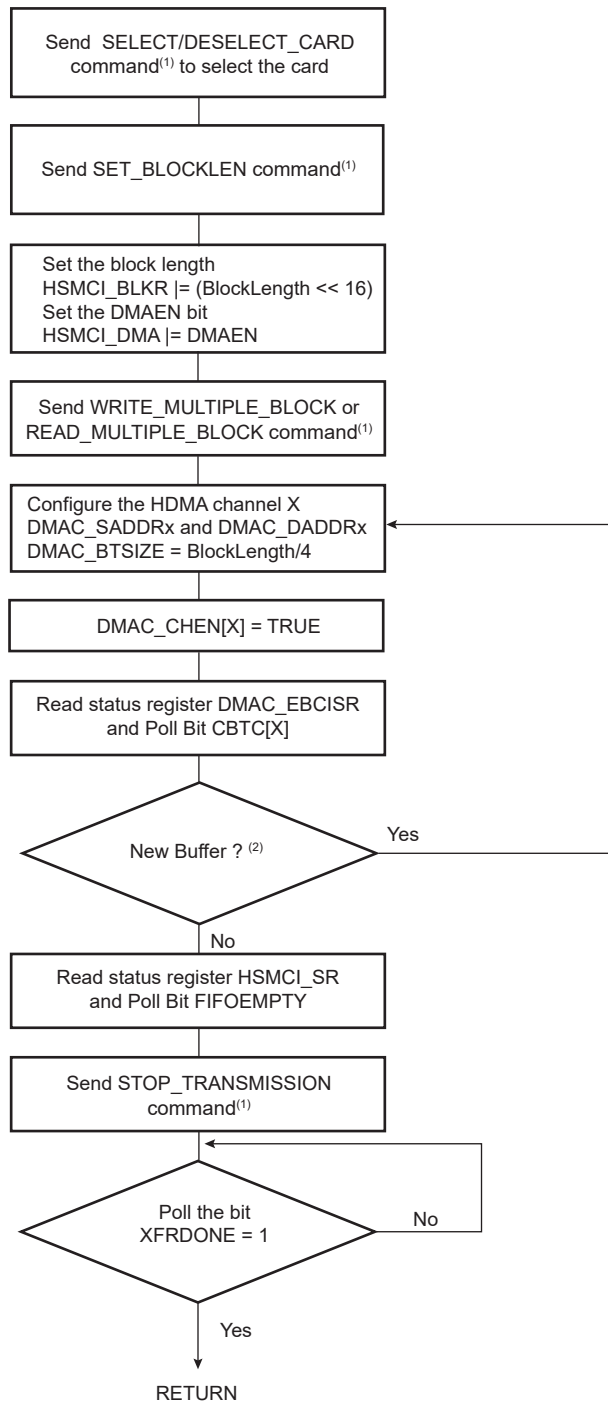
Figure 38-10: Write Functional Flow Diagram



Note: It is assumed that this command has been correctly sent (see [Figure 38-8](#)).

The flowchart in [Figure 38-11](#) shows how to manage read multiple block and write multiple block transfers with the DMA Controller. Polling or interrupt method can be used to wait for the end of write according to the contents of the HSMCI_IMR.

Figure 38-11: Read Multiple Block and Write Multiple Block



Note 1: It is assumed that this command has been correctly sent (see [Figure 38-8](#)).

2: Handle errors reported in HSMCI_SR.

38.8.5 WRITE_SINGLE_BLOCK Operation using DMA Controller

1. Wait until the current command execution has successfully terminated.
 - c) Check that CMDRDY and NOTBUSY fields are asserted in HSMCI_SR
2. Program the block length in the card. This value defines the value *block_length*.
3. Program the block length in the HSMCI Configuration Register with *block_length* value.

SAMA5D3 SERIES

4. Configure the fields of the HSMCI_DMA register as follows:
 - OFFSET field with *dma_offset*.
 - CHKSIZE is user defined and set according to DMAC_CTRLAx.DCSIZE.
 - DMAEN is set to true to enable DMA hardware handshaking in the HSMCI. This bit was previously set to false.
5. Issue a WRITE_SINGLE_BLOCK command writing HSMCI_ARG then HSMCI_CMDR.
6. Program the DMA Controller.
 - a) Read the channel register to choose an available (disabled) channel.
 - b) Clear any pending interrupts on the channel from the previous DMAC transfer by reading the DMAC_EBCISR.
 - c) Program the channel registers.
 - d) The DMAC_SADDRx for Channel x must be set to the location of the source data. When the first data location is not word aligned, the two LSB bits define the temporary value called *dma_offset*. The two LSB bits of DMAC_SADDRx must be configured to 0.
 - e) The DMAC_DADDRx for Channel x must be set with the starting address of the HSMCI_FIFO address.
 - f) Configure the fields of DMAC_CTRLAx for Channel x as follows:
 - DST_WIDTH is set to WORD.
 - SRC_WIDTH is set to WORD.
 - DCSIZE must be set according to the value of HSMCI_DMA.CHKSIZE field.
 - BTSIZE is programmed with $CEILING((block_length + dma_offset) / 4)$, where the ceiling function is the function that returns the smallest integer not less than x.
 - g) Configure the fields of DMAC_CTRLBx for Channel x as follows:
 - DST_INCR is set to INCR, the *block_length* value must not be larger than the HSMCI_FIFO aperture.
 - SRC_INCR is set to INCR.
 - FC field is programmed with memory to peripheral flow control mode.
 - Both DST_DSCR and SRC_DSCR are set (descriptor fetch is disabled).
 - DIF and SIF are set with their respective layer ID. If SIF is different from DIF, the DMA controller is able to prefetch data and write HSMCI simultaneously.
 - h) Configure the fields of DMAC_CFGx for Channel x as follows:
 - FIFOCFG defines the watermark of the DMAC channel FIFO.
 - DST_H2SEL is set to true to enable hardware handshaking on the destination.
 - DST_PER is programmed with the hardware handshaking ID of the targeted HSMCI Host Controller.
 - i) Enable Channel x, writing one to DMAC_CHER[x]. The DMAC is ready and waiting for request.
7. Wait for XFRDONE in the HSMCI_SR.

38.8.6 READ_SINGLE_BLOCK Operation using DMA Controller

38.8.6.1 Block Length is Multiple of 4

1. Wait until the current command execution has successfully completed.
 - a) Check that CMDRDY and NOTBUSY are asserted in HSMCI_SR.
2. Program the block length in the card. This value defines the value *block_length*.
3. Program the block length in the HSMCI Configuration Register with *block_length* value.
4. Set RDPROOF bit in HSMCI_MR to avoid overflow.
5. Configure the fields of the HSMCI_DMA register as follows:
 - a) ROPT bit is configured to 0.
 - b) OFFSET field is configured to 0.
 - c) CHKSIZE is user defined.
 - d) DMAEN is set to true to enable DMAC hardware handshaking in the HSMCI. This bit was previously set to false.
6. Issue a READ_SINGLE_BLOCK command.
7. Program the DMA controller.
 - a) Read the channel register to choose an available (disabled) channel.

- b) Clear any pending interrupts on the channel from the previous DMA transfer by reading the DMAC_EBCISR.
 - c) Program the channel registers.
 - d) The DMAC_SADDRx for Channel x must be set with the starting address of the HSMCI_FIFO address.
 - e) The DMAC_DADDRx for Channel x must be word aligned.
 - f) Configure the fields of the DMAC_CTRLAx register for Channel x as follows:
 - DST_WIDTH is set to WORD.
 - SRC_WIDTH is set to WORD.
 - SCSIZE must be set according to the value of HSMCI_DMA.CHKSIZE.
 - BTSIZE is programmed with *block_length/4*.
 - g) Configure the fields of the DMAC_CFGx register for Channel x as follows:
 - DST_INCR is set to INCR.
 - SRC_INCR is set to INCR.
 - FC field is programmed with peripheral to memory flow control mode.
 - Both DST_DSCR and SRC_DSCR are set (descriptor fetch is disabled).
 - DIF and SIF are set with their respective layer ID. If SIF is different from DIF, the DMA controller is able to prefetch data and write HSMCI simultaneously.
 - h) Configure the fields of the DMAC_CFGx register for Channel x as follows:
 - FIFOCFG defines the watermark of the DMA channel FIFO.
 - SRC_H2SEL is set to true to enable hardware handshaking on the destination.
 - SRC_PER is programmed with the hardware handshaking ID of the targeted HSMCI Host Controller.
 - Enable Channel x, writing one to DMAC_CHER[x]. The DMAC is ready and waiting for request.
8. Wait for XFRDONE in the HSMCI_SR.

38.8.6.2 Block Length is Not Multiple of 4 and Padding Not Used (HSMCI_DMA.ROPT = 0)

In the previous DMA transfer flow (block length multiple of 4), the DMA controller is configured to use only WORD AHB access. When the block length is no longer a multiple of 4 this is no longer true. The DMA controller is programmed to copy exactly the block length number of bytes using two transfer descriptors.

- 1. Use the previous step until READ_SINGLE_BLOCK then
- 2. Program the DMA controller to use a two descriptors linked list.
 - a) Read the channel register to choose an available (disabled) channel.
 - b) Clear any pending interrupts on the channel from the previous DMA transfer by reading the DMAC_EBCISR.
 - c) Program the channel registers in the Memory for the first descriptor. This descriptor will be word oriented. This descriptor is referred to as LLI_W, standing for LLI word oriented transfer.
 - d) The LLI_W.DMAC_SADDRx field in memory must be set with the starting address of the HSMCI_FIFO address.
 - e) The LLI_W.DMAC_DADDRx field in the memory must be word aligned.
 - f) Configure the fields of LLI_W.DMAC_CTRLAx as follows:
 - DST_WIDTH is set to WORD.
 - SRC_WIDTH is set to WORD.
 - SCSIZE must be set according to the value of HSMCI_DMA.CHKSIZE.
 - BTSIZE is programmed with *block_length/4*. If BTSIZE is zero, this descriptor is skipped later.
 - g) Configure the fields of LLI_W.DMAC_CTRLBx as follows:
 - DST_INCR is set to INCR
 - SRC_INCR is set to INCR
 - FC field is programmed with peripheral to memory flow control mode.
 - SRC_DSCR is set to zero. (descriptor fetch is enabled for the SRC)
 - DST_DSCR is set to one. (descriptor fetch is disabled for the DST)

SAMA5D3 SERIES

- DIF and SIF are set with their respective layer ID. If SIF is different from DIF, DMA controller is able to prefetch data and write HSMCI simultaneously.
 - h) Configure the fields of LLI_W.DMAC_CFGx for Channel x as follows:
 - FIFOCFG defines the watermark of the DMA channel FIFO.
 - DST_REP is set to zero meaning that address are contiguous.
 - SRC_H2SEL is set to true to enable hardware handshaking on the destination.
 - SRC_PER is programmed with the hardware handshaking ID of the targeted HSMCI Host Controller.
 - i) Program LLI_W.DMAC_DSCRx with the address of LLI_B descriptor. And set DSCRx_IF to the AHB Layer ID. This operation actually links the Word oriented descriptor on the second byte oriented descriptor. When *block_length[1:0]* is equal to 0 (multiple of 4) LLI_W.DMAC_DSCRx points to 0, only LLI_W is relevant.
 - j) Program the channel registers in the Memory for the second descriptor. This descriptor will be byte oriented. This descriptor is referred to as LLI_B, standing for LLI Byte oriented.
 - k) The LLI_B.DMAC_SADDRx field in memory must be set with the starting address of the HSMCI_FIFO address.
 - l) The LLI_B.DMAC_DADDRx is not relevant if previous word aligned descriptor was enabled. If 1, 2 or 3 bytes are transferred that address is user defined and not word aligned.
 - m) Configure the fields of LLI_B.DMAC_CTRLAx as follows:
 - DST_WIDTH is set to BYTE.
 - SRC_WIDTH is set to BYTE.
 - SCSIZE must be set according to the value of HSMCI_DMA.CHKSIZE.
 - BTSIZE is programmed with *block_length[1:0]*. (last 1, 2, or 3 bytes of the buffer).
 - n) Configure the fields of LLI_B.DMAC_CTRLBx as follows:
 - DST_INCR is set to INCR
 - SRC_INCR is set to INCR
 - FC field is programmed with peripheral to memory flow control mode.
 - Both SRC_DSCR and DST_DSCR are set (descriptor fetch is disabled) or Next descriptor location points to 0.
 - DIF and SIF are set with their respective layer ID. If SIF is different from DIF, DMA Controller is able to prefetch data and write HSMCI simultaneously.
 - o) Configure the LLI_B.DMAC_CFGx memory location for Channel x as follows:
 - FIFOCFG defines the watermark of the DMA channel FIFO.
 - SRC_H2SEL is set to true to enable hardware handshaking on the destination.
 - SRC_PER is programmed with the hardware handshaking ID of the targeted HSMCI Host Controller.
 - p) Program LLI_B.DMAC_DSCR with 0.
 - q) Program the DMAC_CTRLBx register for Channel x with 0. Its content is updated with the LLI fetch operation.
 - r) Program DMAC_DSCRx with the address of LLI_W if *block_length* greater than 4 else with address of LLI_B.
 - s) Enable Channel x writing one to DMAC_CHER[x]. The DMAC is ready and waiting for request.
3. Wait for XFRDONE in the HSMCI_SR.

38.8.6.3 Block Length is Not Multiple of 4, with Padding Value (HSMCI_DMA.ROPT = 1)

When the ROPT bit is set, the DMA Controller performs only WORD access on the bus to transfer a non-multiple of 4 block length, unlike the previous flow, in which the transfer size is rounded to the nearest multiple of 4.

1. Program the HSMCI, see previous flow.
 - ROPT bit is set.
2. Program the DMA Controller
 - a) Read the channel register to choose an available (disabled) channel.
 - b) Clear any pending interrupts on the channel from the previous DMA transfer by reading the DMAC_EBCISR.
 - c) Program the channel registers.

- d) The DMAC_SADDRx for Channel x must be set with the starting address of the HSMCI_FIFO address.
 - e) The DMAC_DADDRx for Channel x must be word aligned.
 - f) Configure the fields of DMAC_CTRLAx for Channel x as follows:
 - DST_WIDTH is set to WORD
 - SRC_WIDTH is set to WORD
 - SCSIZE must be set according to the value of HSMCI_DMA.CHKSIZE.
 - BTSIZE is programmed with $CEILING(block_length/4)$.
 - g) Configure the fields of DMAC_CTRLBx for Channel x as follows:
 - DST_INCR is set to INCR
 - SRC_INCR is set to INCR
 - FC field is programmed with peripheral to memory flow control mode.
 - Both DST_DSCR and SRC_DSCR are set (descriptor fetch is disabled).
 - DIF and SIF are set with their respective layer ID. If SIF is different from DIF, the DMA Controller is able to prefetch data and write HSMCI simultaneously.
 - h) Configure the fields of DMAC_CFGx for Channel x as follows:
 - FIFOCFG defines the watermark of the DMA channel FIFO.
 - SRC_H2SEL is set to true to enable hardware handshaking on the destination.
 - SRC_PER is programmed with the hardware handshaking ID of the targeted HSMCI Host Controller.
 - Enable Channel x writing one to DMAC_CHER[x]. The DMAC is ready and waiting for request.
3. Wait for XFRDONE in the HSMCI_SR.

38.8.7 WRITE_MULTIPLE_BLOCK

38.8.7.1 One Block per Descriptor

1. Wait until the current command execution has successfully terminated.
 - a) Check that CMDRDY and NOTBUSY are asserted in HSMCI_SR.
2. Program the block length in the card. This value defines the value *block_length*.
3. Program the block length in the HSMCI Configuration Register with *block_length* value.
4. Configure the fields of the HSMCI_DMA register as follows:
 - OFFSET field with *dma_offset*.
 - CHKSIZE is user defined.
 - DMAEN is set to true to enable DMAC hardware handshaking in the HSMCI. This bit was previously set to false.
5. Issue a WRITE_MULTIPLE_BLOCK command.
6. Program the DMA Controller to use a list of descriptors. Each descriptor transfers one block of data. Block *n* of data is transferred with descriptor LLI(n).
 - a) Read the channel register to choose an available (disabled) channel.
 - b) Clear any pending interrupts on the channel from the previous DMAC transfer by reading the DMAC_EBCISR.
 - c) Program a List of descriptors.
 - d) The LLI(n).DMAC_SADDRx memory location for Channel x must be set to the location of the source data. When the first data location is not word aligned, the two LSB bits define the temporary value called *dma_offset*. The two LSB bits of LLI(n).DMAC_SADDRx must be configured to 0.
 - e) The LLI(n).DMAC_DADDRx for Channel x must be set with the starting address of the HSMCI_FIFO address.
 - f) Configure the fields of LLI(n).DMAC_CTRLAx for Channel x as follows:
 - DST_WIDTH is set to WORD.
 - SRC_WIDTH is set to WORD.
 - DCSIZE must be set according to the value of HSMCI_DMA.CHKSIZE.
 - BTSIZE is programmed with $CEILING((block_length + dma_offset)/4)$.
 - g) Configure the fields of LLI(n).DMAC_CTRLBx for Channel x as follows:

SAMA5D3 SERIES

- DST_INCR is set to INCR.
 - SRC_INCR is set to INCR.
 - DST_DSCR is configured to 0 (fetch operation is enabled for the destination).
 - SRC_DSCR is set (source address is contiguous).
 - FC field is programmed with memory to peripheral flow control mode.
 - Both DST_DSCR and SRC_DSCR are set (descriptor fetch is disabled).
 - DIF and SIF are set with their respective layer ID. If SIF is different from DIF, DMA Controller is able to prefetch data and write HSMCI simultaneously.
- h) Configure the fields of LLI(n).DMAC_CFGx for Channel x as follows:
 - FIFOCFG defines the watermark of the DMA channel FIFO.
 - DST_H2SEL is set to true to enable hardware handshaking on the destination.
 - SRC_REP is configured to 0. (contiguous memory access at block boundary)
 - DST_PER is programmed with the hardware handshaking ID of the targeted HSMCI Host Controller.
 - i) If LLI(n) is the last descriptor, then LLI(n).DSCR points to 0 else LLI(n) points to the start address of LLI(n+1).
 - j) Program DMAC_CTRLBx for the Channel Register x with 0. Its content is updated with the LLI fetch operation.
 - k) Program DMAC_DSCRx for the Channel Register x with the address of the first descriptor LLI(0).
 - l) Enable Channel x writing one to DMAC_CHER[x]. The DMA is ready and waiting for request.
7. Poll CBTC[x] bit in the DMAC_EBCISR.
 8. If a new list of buffers shall be transferred, repeat step 6. Check and handle HSMCI errors.
 9. Poll FIFOEMPTY field in the HSMCI_SR.
 10. Send The STOP_TRANSMISSION command writing HSMCI_ARG then HSMCI_CMDR.
 11. Wait for XFRDONE in the HSMCI_SR.

38.8.8 READ_MULTIPLE_BLOCK

38.8.8.1 Block Length is a Multiple of 4

1. Wait until the current command execution has successfully terminated.
 - a) Check that CMDRDY and NOTBUSY are asserted in HSMCI_SR.
2. Program the block length in the card. This value defines the value *block_length*.
3. Program the block length in the HSMCI Configuration Register with *block_length* value.
4. Set RDPROOF bit in HSMCI_MR to avoid overflow.
5. Configure the fields of the HSMCI_DMA register as follows:
 - ROPT bit is configured to 0.
 - OFFSET field is configured to 0.
 - CHKSIZE is user defined.
 - DMAEN is set to true to enable DMAC hardware handshaking in the HSMCI. This bit was previously set to false.
6. Issue a READ_MULTIPLE_BLOCK command.
7. Program the DMA Controller to use a list of descriptors:
 - a) Read the channel register to choose an available (disabled) channel.
 - b) Clear any pending interrupts on the channel from the previous DMA transfer by reading the DMAC_EBCISR.
 - c) Program the channel registers in the Memory with the first descriptor. This descriptor will be word oriented. This descriptor is referred to as LLI_W(n), standing for LLI word oriented transfer for block *n*.
 - d) The LLI_W(n).DMAC_SADDRx field in memory must be set with the starting address of the HSMCI_FIFO address.
 - e) The LLI_W(n).DMAC_DADDRx field in the memory must be word aligned.
 - f) Configure the fields of LLI_W(n).DMAC_CTRLAx as follows:
 - DST_WIDTH is set to WORD
 - SRC_WIDTH is set to WORD
 - SCSIZE must be set according to the value of HSMCI_DMA.CHKSIZE.

- BTSIZE is programmed with *block_length/4*.
 - g) Configure the fields of LLI_W(n).DMAC_CTRLBx as follows:
 - DST_INCR is set to INCR.
 - SRC_INCR is set to INCR.
 - FC field is programmed with peripheral to memory flow control mode.
 - SRC_DSCR is configured to 0 (descriptor fetch is enabled for the SRC).
 - DST_DSCR is set to TRUE (descriptor fetch is disabled for the DST).
 - DIF and SIF are set with their respective layer ID. If SIF is different from DIF, the DMA Controller is able to prefetch data and write HSMCI simultaneously.
 - h) Configure the fields of the LLI_W(n).DMAC_CFGx register for Channel x as follows:
 - FIFOCFG defines the watermark of the DMA channel FIFO.
 - DST_REP is set to zero. Addresses are contiguous.
 - SRC_H2SEL is set to true to enable hardware handshaking on the destination.
 - SRC_PER is programmed with the hardware handshaking ID of the targeted HSMCI Host Controller.
 - i) Program LLI_W(n).DMAC_DSCRx with the address of LLI_W(n+1) descriptor. And set the DSCRx_IF to the AHB Layer ID. This operation actually links descriptors together. If LLI_W(n) is the last descriptor then LLI_W(n).DMAC_DSCRx points to 0.
 - j) Program the DMAC_CTRLBx register for Channel x with 0. Its content is updated with the LLI Fetch operation.
 - k) Program DMAC_DSCRx for Channel x with the address of LLI_W(0).
 - l) Enable Channel x writing one to DMAC_CHER[x]. The DMA is ready and waiting for request.
8. Poll CBTC[x] bit in the DMAC_EBCISR.
 9. If a new list of buffer shall be transferred repeat step 6. Check and handle HSMCI errors.
 10. Poll FIFOEMPTY field in the HSMCI_SR.
 11. Send The STOP_TRANSMISSION command writing the HSMCI_ARG then the HSMCI_CMDR.
 12. Wait for XFRDONE in the HSMCI_SR.

38.8.8.2 Block Length is Not Multiple of 4 (HSMCI_DMA.ROPT = 0)

Two DMA Transfer descriptors are used to perform the HSMCI block transfer.

1. Use the previous step to configure the HSMCI to perform a READ_MULTIPLE_BLOCK command.
2. Issue a READ_MULTIPLE_BLOCK command.
3. Program the DMA Controller to use a list of descriptors.
 - a) Read the channel register to choose an available (disabled) channel.
 - b) Clear any pending interrupts on the channel from the previous DMAC transfer by reading the DMAC_EBCISR.
 - c) For every block of data repeat the following procedure:
 - d) Program the channel registers in the Memory for the first descriptor. This descriptor will be word oriented. This descriptor is referred to as LLI_W(n) standing for LLI word oriented transfer for block *n*.
 - e) The LLI_W(n).DMAC_SADDRx field in memory must be set with the starting address of the HSMCI_FIFO address.
 - f) The LLI_W(n).DMAC_DADDRx field in the memory must be word aligned.
 - g) Configure the fields of LLI_W(n).DMAC_CTRLAx as follows:
 - DST_WIDTH is set to WORD.
 - SRC_WIDTH is set to WORD.
 - SCSIZE must be set according to the value of HSMCI_DMA.CHKSIZE.
 - BTSIZE is programmed with *block_length/4*. If BTSIZE is zero, this descriptor is skipped later.
 - h) Configure the fields of LLI_W(n).DMAC_CTRLBx as follows:
 - DST_INCR is set to INCR.
 - SRC_INCR is set to INCR.
 - FC field is programmed with peripheral to memory flow control mode.

SAMA5D3 SERIES

- SRC_DSCR is configured to 0 (descriptor fetch is enabled for the SRC).
 - DST_DSCR is set to TRUE (descriptor fetch is disabled for the DST).
 - DIF and SIF are set with their respective layer ID. If SIF is different from DIF, the DMA Controller is able to prefetch data and write HSMCI simultaneously.
 - i) Configure the fields of LLI_W(n).DMAC_CFGx for Channel x as follows:
 - FIFOCFG defines the watermark of the DMA channel FIFO.
 - DST_REP is set to zero. Address are contiguous.
 - SRC_H2SEL is set to true to enable hardware handshaking on the destination.
 - SRC_PER is programmed with the hardware handshaking ID of the targeted HSMCI Host Controller.
 - j) Program LLI_W(n).DMAC_DSCRx with the address of LLI_B(n) descriptor. And set the DSCRx_IF to the AHB Layer ID. This operation actually links the Word oriented descriptor on the second byte oriented descriptor. When *block_length[1:0]* is equal to 0 (multiple of 4) LLI_W(n).DMAC_DSCRx points to 0, only LLI_W(n) is relevant.
 - k) Program the channel registers in the Memory for the second descriptor. This descriptor will be byte oriented. This descriptor is referred to as LLI_B(n), standing for LLI Byte oriented.
 - l) The LLI_B(n).DMAC_SADDRx field in memory must be set with the starting address of the HSMCI_FIFO address.
 - m) The LLI_B(n).DMAC_DADDRx is not relevant if previous word aligned descriptor was enabled. If 1, 2 or 3 bytes are transferred, that address is user defined and not word aligned.
 - n) Configure the fields of LLI_B(n).DMAC_CTRLAx as follows:
 - DST_WIDTH is set to BYTE.
 - SRC_WIDTH is set to BYTE.
 - SCSIZE must be set according to the value of HSMCI_DMA.CHKSIZE.
 - BTSIZE is programmed with *block_length[1:0]*. (last 1, 2, or 3 bytes of the buffer).
 - o) Configure the fields of LLI_B(n).DMAC_CTRLBx as follows:
 - DST_INCR is set to INCR.
 - SRC_INCR is set to INCR.
 - FC field is programmed with peripheral to memory flow control mode.
 - Both SRC_DSCR and DST_DSCR are set (descriptor fetch is disabled) or Next descriptor location points to 0.
 - DIF and SIF are set with their respective layer ID. If SIF is different from DIF, the DMA Controller is able to prefetch data and write HSMCI simultaneously.
 - p) Configure the LLI_B(n).DMAC_CFGx memory location for Channel x as follows:
 - FIFOCFG defines the watermark of the DMAC channel FIFO.
 - SRC_H2SEL is set to true to enable hardware handshaking on the destination.
 - SRC_PER is programmed with the hardware handshaking ID of the targeted HSMCI Host Controller
 - q) Program LLI_B(n).DMAC_DSCR with address of descriptor LLI_W(n+1). If LLI_B(n) is the last descriptor, then program LLI_B(n).DMAC_DSCR with 0.
 - r) Program the DMAC_CTRLBx register for Channel x with 0. Its content is updated with the LLI Fetch operation.
 - s) Program DMAC_DSCRx with the address of LLI_W(0) if *block_length* is greater than 4 else with address of LLI_B(0).
 - t) Enable Channel x writing one to DMAC_CHER[x]. The DMAC is ready and waiting for request.
4. Enable DMADONE interrupt in the HSMCI_IER.
 5. Poll CBTC[x] bit in the DMAC_EBCISR.
 6. If a new list of buffers shall be transferred, repeat step 7. Check and handle HSMCI errors.
 7. Poll FIFOEMPTY field in the HSMCI_SR.
 8. Send The STOP_TRANSMISSION command writing HSMCI_ARG then HSMCI_CMDR.
 9. Wait for XFRDONE in the HSMCI_SR.

38.8.8.3 Block Length is Not a Multiple of 4 (HSMCI_DMA.ROPT = 1)

One DMA Transfer descriptor is used to perform the HSMCI block transfer, the DMA writes a value rounded up to the nearest multiple of 4.

1. Use the previous step to configure the HSMCI to perform a READ_MULTIPLE_BLOCK.
2. Set the ROPT bit in the HSMCI_DMA register.
3. Issue a READ_MULTIPLE_BLOCK command.
4. Program the DMA controller to use a list of descriptors:
 - a) Read the channel register to choose an available (disabled) channel.
 - b) Clear any pending interrupts on the channel from the previous DMAC transfer by reading the DMAC_EBCISR.
 - c) Program the channel registers in the Memory with the first descriptor. This descriptor will be word oriented. This descriptor is referred to as LLI_W(n), standing for LLI word oriented transfer for block *n*.
 - d) The LLI_W(n).DMAC_SADDRx field in memory must be set with the starting address of the HSMCI_FIFO address.
 - e) The LLI_W(n).DMAC_DADDRx field in the memory must be word aligned.
 - f) Configure the fields of LLI_W(n).DMAC_CTRLAx as follows:
 - DST_WIDTH is set to WORD.
 - SRC_WIDTH is set to WORD.
 - SCSIZE must be set according to the value of HSMCI_DMA.CHKSIZE.
 - BTSIZE is programmed with $CEILING(block_length/4)$.
 - g) Configure the fields of LLI_W(n).DMAC_CTRLBx as follows:
 - DST_INCR is set to INCR
 - SRC_INCR is set to INCR
 - FC field is programmed with peripheral to memory flow control mode.
 - SRC_DSCR is configured to 0. (descriptor fetch is enabled for the SRC)
 - DST_DSCR is set to TRUE. (descriptor fetch is disabled for the DST)
 - DIF and SIF are set with their respective layer ID. If SIF is different from DIF, the DMA Controller is able to prefetch data and write HSMCI simultaneously.
 - h) Configure the fields of LLI_W(n).DMAC_CFGx for Channel x as follows:
 - FIFOCFG defines the watermark of the DMA channel FIFO.
 - DST_REP is set to zero. Address are contiguous.
 - SRC_H2SEL is set to true to enable hardware handshaking on the destination.
 - SRC_PER is programmed with the hardware handshaking ID of the targeted HSMCI Host Controller.
 - i) Program LLI_W(n).DMAC_DSCRx with the address of LLI_W(n+1) descriptor. And set the DSCRx_IF to the AHB Layer ID. This operation actually links descriptors together. If LLI_W(n) is the last descriptor then LLI_W(n).DMAC_DSCRx points to 0.
 - j) Program the DMAC_CTRLBx register for Channel x with 0. Its content is updated with the LLI Fetch operation.
 - k) Program the DMAC_DSCRx for Channel x with the address of LLI_W(0).
 - l) Enable Channel x writing one to DMAC_CHER[x]. The DMAC is ready and waiting for request.
5. Poll CBTC[x] bit in the DMAC_EBCISR.
6. If a new list of buffers shall be transferred repeat step 7. Check and handle HSMCI errors.
7. Poll FIFOEMPTY field in the HSMCI_SR.
8. Send The STOP_TRANSMISSION command writing the HSMCI_ARG then the HSMCI_CMDR.
9. Wait for XFRDONE in the HSMCI_SR.

38.9 SD/SDIO Card Operation

The High Speed MultiMedia Card Interface allows processing of SD Memory (Secure Digital Memory Card) and SDIO (SD Input Output) Card commands.

SAMA5D3 SERIES

SD/SDIO cards are based on the MultiMedia Card (MMC) format, but are physically slightly thicker and feature higher data transfer rates, a lock switch on the side to prevent accidental overwriting and security features. The physical form factor, pin assignment and data transfer protocol are forward-compatible with the High Speed MultiMedia Card with some additions. SD slots can actually be used for more than flash memory cards. Devices that support SDIO can use small devices designed for the SD form factor, such as GPS receivers, Wi-Fi® or Bluetooth® adapters, modems, barcode readers, IrDA adapters, FM radio tuners, RFID readers, digital cameras and more.

SD/SDIO is covered by numerous patents and trademarks, and licensing is only available through the Secure Digital Card Association.

The SD/SDIO Card communication is based on a 9-pin interface (Clock, Command, 4 x Data and 3 x Power lines). The communication protocol is defined as a part of this specification. The main difference between the SD/SDIO Card and the High Speed MultiMedia Card is the initialization process.

The SD/SDIO Card Register (HSMCI_SDCR) allows selection of the Card Slot and the data bus width.

The SD/SDIO Card bus allows dynamic configuration of the number of data lines. After power up, by default, the SD/SDIO Card uses only DAT0 for data transfer. After initialization, the host can change the bus width (number of active data lines).

38.9.1 SDIO Data Transfer Type

SDIO cards may transfer data in either a multi-byte (1 to 512 bytes) or an optional block format (1 to 511 blocks), while the SD memory cards are fixed in the block transfer mode. The TRTYP field in the HSMCI Command Register (HSMCI_CMDR) allows to choose between SDIO Byte or SDIO Block transfer.

The number of bytes/blocks to transfer is set through the BCNT field in the HSMCI Block Register (HSMCI_BLKCR). In SDIO Block mode, the field BLKLEN must be set to the data block size while this field is not used in SDIO Byte mode.

An SDIO Card can have multiple I/O or combined I/O and memory (called Combo Card). Within a multi-function SDIO or a Combo card, there are multiple devices (I/O and memory) that share access to the SD bus. In order to allow the sharing of access to the host among multiple devices, SDIO and combo cards can implement the optional concept of suspend/resume (Refer to the SDIO Specification for more details). To send a suspend or a resume command, the host must set the SDIO Special Command field (IOSPCMD) in the HSMCI Command Register.

38.9.2 SDIO Interrupts

Each function within an SDIO or Combo card may implement interrupts (Refer to the SDIO Specification for more details). In order to allow the SDIO card to interrupt the host, an interrupt function is added to a pin on the DAT[1] line to signal the card's interrupt to the host. An SDIO interrupt on each slot can be enabled through the HSMCI Interrupt Enable Register. The SDIO interrupt is sampled regardless of the currently selected slot.

38.10 CE-ATA Operation

CE-ATA maps the streamlined ATA command set onto the MMC interface. The ATA task file is mapped onto MMC register space.

CE-ATA utilizes five MMC commands:

- GO_IDLE_STATE (CMD0): used for hard reset.
- STOP_TRANSMISSION (CMD12): causes the ATA command currently executing to be aborted.
- FAST_IO (CMD39): Used for single register access to the ATA taskfile registers, 8-bit access only.
- RW_MULTIPLE_REGISTERS (CMD60): used to issue an ATA command or to access the control/status registers.
- RW_MULTIPLE_BLOCK (CMD61): used to transfer data for an ATA command.

CE-ATA utilizes the same MMC command sequences for initialization as traditional MMC devices.

38.10.1 Executing an ATA Polling Command

1. Issue READ_DMA_EXT with RW_MULTIPLE_REGISTER (CMD60) for 8 KB of DATA.
2. Read the ATA status register until DRQ is set.
3. Issue RW_MULTIPLE_BLOCK (CMD61) to transfer DATA.
4. Read the ATA status register until DRQ && BSY are configured to 0.

38.10.2 Executing an ATA Interrupt Command

1. Issue READ_DMA_EXT with RW_MULTIPLE_REGISTER (CMD60) for 8 KB of DATA with nIEN field set to zero to enable the command completion signal in the device.
2. Issue RW_MULTIPLE_BLOCK (CMD61) to transfer DATA.
3. Wait for Completion Signal Received Interrupt.

38.10.3 Aborting an ATA Command

If the host needs to abort an ATA command prior to the completion signal it must send a special command to avoid potential collision on the command line. The SPCMD field of the HSMCI_CMDR must be set to 3 to issue the CE-ATA completion Signal Disable Command.

38.10.4 CE-ATA Error Recovery

Several methods of ATA command failure may occur, including:

- No response to an MMC command, such as RW_MULTIPLE_REGISTER (CMD60).
- CRC is invalid for an MMC command or response.
- CRC16 is invalid for an MMC data packet.
- ATA Status register reflects an error by setting the ERR bit to one.
- The command completion signal does not arrive within a host specified time out period.

Error conditions are expected to happen infrequently. Thus, a robust error recovery mechanism may be used for each error event. The recommended error recovery procedure after a timeout is:

- Issue the command completion signal disable if nIEN was cleared to zero and the RW_MULTIPLE_BLOCK (CMD61) response has been received.
- Issue STOP_TRANSMISSION (CMD12) and successfully receive the R1 response.
- Issue a software reset to the CE-ATA device using FAST_IO (CMD39).

If STOP_TRANSMISSION (CMD12) is successful, then the device is again ready for ATA commands. However, if the error recovery procedure does not work as expected or there is another timeout, the next step is to issue GO_IDLE_STATE (CMD0) to the device. GO_IDLE_STATE (CMD0) is a hard reset to the device and completely resets all device states.

Note that after issuing GO_IDLE_STATE (CMD0), all device initialization needs to be completed again. If the CE-ATA device completes all MMC commands correctly but fails the ATA command with the ERR bit set in the ATA Status register, no error recovery action is required. The ATA command itself failed implying that the device could not complete the action requested, however, there was no communication or protocol failure. After the device signals an error by setting the ERR bit to one in the ATA Status register, the host may attempt to retry the command.

38.11 HSMCI Boot Operation Mode

In boot operation mode, the processor can read boot data from the slave (MMC device) by keeping the CMD line low after power-on before issuing CMD1. The data can be read from either the boot area or user area, depending on register setting.

38.11.1 Boot Procedure, Processor Mode

1. Configure the HSMCI data bus width programming SDCBUS Field in the HSMCI_SDCR. The BOOT_BUS_WIDTH field located in the device Extended CSD register must be set accordingly.
2. Set the byte count to 512 bytes and the block count to the desired number of blocks, writing BLKLEN and BCNT fields of the HSMCI_BLKCR.
3. Issue the Boot Operation Request command by writing to the HSMCI_CMDR with SPCMD field set to BOOTREQ, TRDIR set to READ and TRCMD set to "start data transfer".
4. The BOOT_ACK field located in the HSMCI_CMDR must be set to one, if the BOOT_ACK field of the MMC device located in the Extended CSD register is set to one.
5. Host processor can copy boot data sequentially as soon as the RXRDY flag is asserted.
6. When Data transfer is completed, host processor shall terminate the boot stream by writing the HSMCI_CMDR with SPCMD field set to BOOTEND.

38.11.2 Boot Procedure DMA Mode

1. Configure the HSMCI data bus width by programming SDCBUS Field in the HSMCI_SDCR. The BOOT_BUS_WIDTH field in the device Extended CSD register must be set accordingly.
2. Set the byte count to 512 bytes and the block count to the desired number of blocks by writing BLKLEN and BCNT fields of the HSMCI_BLKCR.
3. Enable DMA transfer in the HSMCI_DMA register.
4. Configure DMA controller, program the total amount of data to be transferred and enable the relevant channel.
5. Issue the Boot Operation Request command by writing to the HSMCI_CMDR with SPCMD set to BOOTREQ, TRDIR set to READ and TRCMD set to "start data transfer".
6. DMA controller copies the boot partition to the memory.

SAMA5D3 SERIES

- When DMA transfer is completed, host processor shall terminate the boot stream by writing the HSMCI_CMDR with SPCMD field set to BOOTEND.

38.12 HSMCI Transfer Done Timings

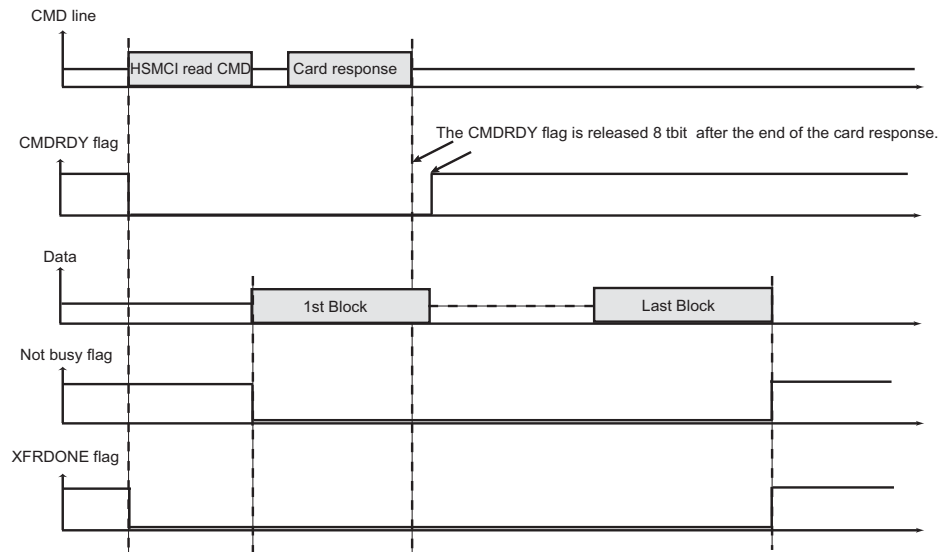
38.12.1 Definition

The XFRDONE flag in the HSMCI_SR indicates exactly when the read or write sequence is finished.

38.12.2 Read Access

During a read access, the XFRDONE flag behaves as shown in [Figure 38-12](#).

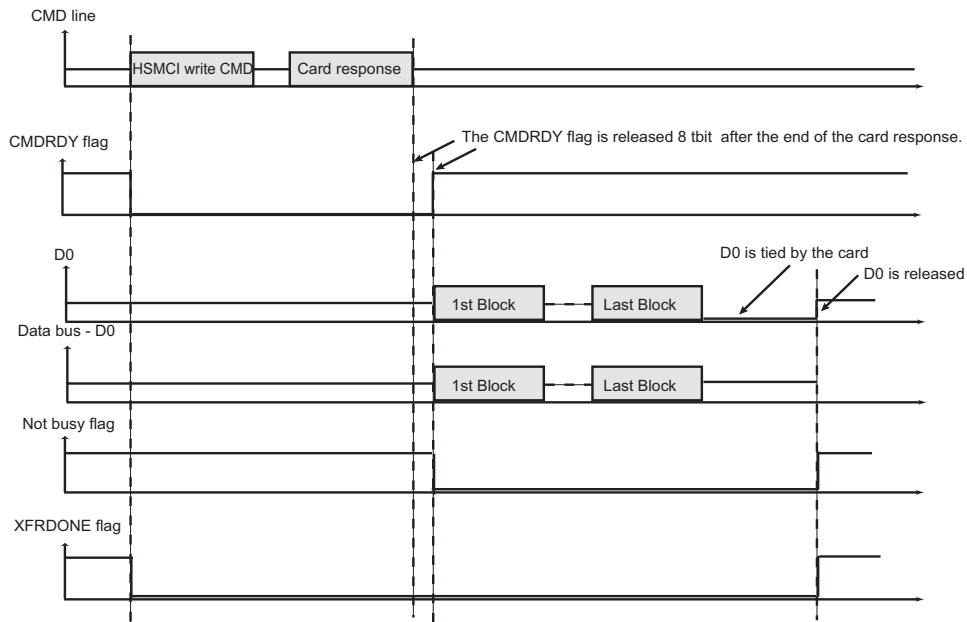
Figure 38-12: XFRDONE During a Read Access



38.12.3 Write Access

During a write access, the XFRDONE flag behaves as shown in [Figure 38-13](#).

Figure 38-13: XFRDONE During a Write Access



38.13 Register Write Protection

To prevent any single software error from corrupting HSMCI behavior, certain registers in the address space can be write-protected by setting the WPEN bit in the [HSMCI Write Protection Mode Register](#) (HSMCI_WPMR).

If a write access to a write-protected register is detected, the WPVS bit in the [HSMCI Write Protection Status Register](#) (HSMCI_WPSR) is set and the field WPVSR indicates the register in which the write access has been attempted.

The WPVS bit is automatically cleared after reading the HSMCI_WPSR.

The following registers can be protected:

- [HSMCI Mode Register](#)
- [HSMCI Data Timeout Register](#)
- [HSMCI SDCard/SDIO Register](#)
- [HSMCI Completion Signal Timeout Register](#)
- [HSMCI DMA Configuration Register](#)
- [HSMCI Configuration Register](#)

SAMA5D3 SERIES

38.14 High Speed MultiMedia Card Interface (HSMCI) User Interface

Table 38-9: Register Mapping

Offset	Register	Name	Access	Reset
0x00	Control Register	HSMCI_CR	Write-only	–
0x04	Mode Register	HSMCI_MR	Read/Write	0x0
0x08	Data Timeout Register	HSMCI_DTOR	Read/Write	0x0
0x0C	SD/SDIO Card Register	HSMCI_SDCR	Read/Write	0x0
0x10	Argument Register	HSMCI_ARGR	Read/Write	0x0
0x14	Command Register	HSMCI_CMDR	Write-only	–
0x18	Block Register	HSMCI_BLKCR	Read/Write	0x0
0x1C	Completion Signal Timeout Register	HSMCI_CSTOR	Read/Write	0x0
0x20	Response Register ⁽¹⁾	HSMCI_RSPR	Read-only	0x0
0x24	Response Register ⁽¹⁾	HSMCI_RSPR	Read-only	0x0
0x28	Response Register ⁽¹⁾	HSMCI_RSPR	Read-only	0x0
0x2C	Response Register ⁽¹⁾	HSMCI_RSPR	Read-only	0x0
0x30	Receive Data Register	HSMCI_RDR	Read-only	0x0
0x34	Transmit Data Register	HSMCI_TDR	Write-only	–
0x38–0x3C	Reserved	–	–	–
0x40	Status Register	HSMCI_SR	Read-only	0xC0E5
0x44	Interrupt Enable Register	HSMCI_IER	Write-only	–
0x48	Interrupt Disable Register	HSMCI_IDR	Write-only	–
0x4C	Interrupt Mask Register	HSMCI_IMR	Read-only	0x0
0x50	DMA Configuration Register	HSMCI_DMA	Read/Write	0x00
0x54	Configuration Register	HSMCI_CFG	Read/Write	0x00
0x58–0xE0	Reserved	–	–	–
0xE4	Write Protection Mode Register	HSMCI_WPMR	Read/Write	–
0xE8	Write Protection Status Register	HSMCI_WPSR	Read-only	–
0xEC–0xFC	Reserved	–	–	–
0x100–0x1FC	Reserved	–	–	–
0x200	FIFO Memory Aperture0	HSMCI_FIFO0	Read/Write	0x0
...
0x5FC	FIFO Memory Aperture255	HSMCI_FIFO255	Read/Write	0x0

Note 1: The Response Register can be read by N accesses at the same HSMCI_RSPR or at consecutive addresses (0x20 to 0x2C). N depends on the size of the response.

38.14.1 HSMCI Control Register

Name: HSMCI_CR

Address: 0xF0000000 (0), 0xF8000000 (1), 0xF8004000 (2)

Access: Write-only

31	30	29	28	27	26	25	24
–	–	–	–	–	–	–	–
23	22	21	20	19	18	17	16
–	–	–	–	–	–	–	–
15	14	13	12	11	10	9	8
–	–	–	–	–	–	–	–
7	6	5	4	3	2	1	0
SWRST	–	–	–	PWSDIS	PWSEN	MCIDIS	MCIEN

MCIEN: Multi-Media Interface Enable

0: No effect.

1: Enables the Multi-Media Interface if MCDIS is 0.

MCIDIS: Multi-Media Interface Disable

0: No effect.

1: Disables the Multi-Media Interface.

PWSEN: Power Save Mode Enable

0: No effect.

1: Enables the Power Saving Mode if PWSDIS is 0.

Warning: Before enabling this mode, the user must set a value different from 0 in the PWSDIV field of the HSMCI_MR.

PWSDIS: Power Save Mode Disable

0: No effect.

1: Disables the Power Saving Mode.

SWRST: Software Reset

0: No effect.

1: Resets the HSMCI. A software triggered hardware reset of the HSMCI is performed.

SAMA5D3 SERIES

38.14.2 HSMCI Mode Register

Name: HSMCI_MR

Address: 0xF0000004 (0), 0xF8000004 (1), 0xF8004004 (2)

Access: Read/Write

31	30	29	28	27	26	25	24
–	–	–	–	–	–	–	–
23	22	21	20	19	18	17	16
–	–	–	–	–	–	–	CLKODD
15	14	13	12	11	10	9	8
–	PADV	FBYTE	WRPROOF	RDPROOF	PWSDIV		
7	6	5	4	3	2	1	0
CLKDIV							

This register can only be written if the WPEN bit is cleared in the [HSMCI Write Protection Mode Register](#).

CLKDIV: Clock Divider

High Speed MultiMedia Card Interface clock (MCCK or HSMCI_CK) is Master Clock (MCK) divided by $\{\{\text{CLKDIV}, \text{CLKODD}\} + 2\}$.

PWSDIV: Power Saving Divider

High Speed MultiMedia Card Interface clock is divided by $2^{(\text{PWSDIV})} + 1$ when entering Power Saving Mode.

Warning: This value must be different from 0 before enabling the Power Save Mode in the HSMCI_CR (HSMCI_PWSEN bit).

RDPROOF: Read Proof Enable

Enabling Read Proof allows to stop the HSMCI Clock during read access if the internal FIFO is full. This will ensure data integrity, not bandwidth.

0: Disables Read Proof.

1: Enables Read Proof.

WRPROOF: Write Proof Enable

Enabling Write Proof allows to stop the HSMCI Clock during write access if the internal FIFO is full. This will ensure data integrity, not bandwidth.

0: Disables Write Proof.

1: Enables Write Proof.

FBYTE: Force Byte Transfer

Enabling Force Byte Transfer allow byte transfers, so that transfer of blocks with a size different from modulo 4 can be supported.

Warning: BLKLEN value depends on FBYTE.

0: Disables Force Byte Transfer.

1: Enables Force Byte Transfer.

PADV: Padding Value

0: 0x00 value is used when padding data in write transfer.

1: 0xFF value is used when padding data in write transfer.

PADV may be only in manual transfer.

CLKODD: Clock divider is odd

This bit is the least significant bit of the clock divider and indicates the clock divider parity.

38.14.3 HSMCI Data Timeout Register

Name: HSMCI_DTOR

Address: 0xF0000008 (0), 0xF8000008 (1), 0xF8004008 (2)

Access: Read/Write

31	30	29	28	27	26	25	24
–	–	–	–	–	–	–	–
23	22	21	20	19	18	17	16
–	–	–	–	–	–	–	–
15	14	13	12	11	10	9	8
–	–	–	–	–	–	–	–
7	6	5	4	3	2	1	0
–	DTOMUL			DTCYC			

This register can only be written if the WPEN bit is cleared in the [HSMCI Write Protection Mode Register](#).

DTCYC: Data Timeout Cycle Number

This field determines the maximum number of Master Clock cycles that the HSMCI waits between two data block transfers. It equals (DTCYC x Multiplier).

DTOMUL: Data Timeout Multiplier

Value	Name	Description
0	1	DTCYC
1	16	DTCYC x 16
2	128	DTCYC x 128
3	256	DTCYC x 256
4	1024	DTCYC x 1024
5	4096	DTCYC x 4096
6	65536	DTCYC x 65536
7	1048576	DTCYC x 1048576

If the data time-out set by DTCYC and DTOMUL has been exceeded, the Data Time-out Error flag (DTCOE) in the HSMCI Status Register (HSMCI_SR) rises.

SAMA5D3 SERIES

38.14.4 HSMCI SDCard/SDIO Register

Name: HSMCI_SDCR

Address: 0xF000000C (0), 0xF800000C (1), 0xF800400C (2)

Access: Read/Write

31	30	29	28	27	26	25	24
–	–	–	–	–	–	–	–
23	22	21	20	19	18	17	16
–	–	–	–	–	–	–	–
15	14	13	12	11	10	9	8
–	–	–	–	–	–	–	–
7	6	5	4	3	2	1	0
SDCBUS		–	–	–	–	SDCSEL	

This register can only be written if the WPEN bit is cleared in the [HSMCI Write Protection Mode Register](#).

SDCSEL: SDCard/SDIO Slot

Value	Name	Description
0	SLOTA	Slot A is selected.
1	SLOTB	Reserved
2	SLOT C	Reserved
3	SLOT D	Reserved

SDCBUS: SDCard/SDIO Bus Width

Value	Name	Description
0	1	1 bit
1	–	Reserved
2	4	4 bits
3	8	8 bits

38.14.5 HSMCI Argument Register

Name: HSMCI_ARGR

Address: 0xF0000010 (0), 0xF8000010 (1), 0xF8004010 (2)

Access: Read/Write

31	30	29	28	27	26	25	24
ARG							
23	22	21	20	19	18	17	16
ARG							
15	14	13	12	11	10	9	8
ARG							
7	6	5	4	3	2	1	0
ARG							

ARG: Command Argument

SAMA5D3 SERIES

38.14.6 HSMCI Command Register

Name: HSMCI_CMDR

Address: 0xF0000014 (0), 0xF8000014 (1), 0xF8004014 (2)

Access: Write-only

31	30	29	28	27	26	25	24
–	–	–	–	BOOT_ACK	ATACS	IOSPCMD	
23	22	21	20	19	18	17	16
–	–	TRTYP			TRDIR	TRCMD	
15	14	13	12	11	10	9	8
–	–	–	MAXLAT	OPDCMD	SPCMD		
7	6	5	4	3	2	1	0
RSPTYP			CMDNB				

This register is write-protected while CMDRDY is 0 in HSMCI_SR. If an Interrupt command is sent, this register is only writable by an interrupt response (field SPCMD). This means that the current command execution cannot be interrupted or modified.

CMDNB: Command Number

This is the command index.

RSPTYP: Response Type

Value	Name	Description
0	NORESP	No response
1	48_BIT	48-bit response
2	136_BIT	136-bit response
3	R1B	R1b response type

SPCMD: Special Command

Value	Name	Description
0	STD	Not a special CMD.
1	INIT	Initialization CMD: 74 clock cycles for initialization sequence.
2	SYNC	Synchronized CMD: Wait for the end of the current data block transfer before sending the pending command.
3	CE_ATA	CE-ATA Completion Signal disable Command. The host cancels the ability for the device to return a command completion signal on the command line.
4	IT_CMD	Interrupt command: Corresponds to the Interrupt Mode (CMD40).
5	IT_RESP	Interrupt response: Corresponds to the Interrupt Mode (CMD40).
6	BOR	Boot Operation Request. Start a boot operation mode, the host processor can read boot data from the MMC device directly.
7	EBO	End Boot Operation. This command allows the host processor to terminate the boot operation mode.

OPDCMD: Open Drain Command

0 (PUSHPULL): Push pull command.

1 (OPENDRAIN): Open drain command.

MAXLAT: Max Latency for Command to Response

0 (5): 5-cycle max latency.

1 (64): 64-cycle max latency.

TRCMD: Transfer Command

Value	Name	Description
0	NO_DATA	No data transfer
1	START_DATA	Start data transfer
2	STOP_DATA	Stop data transfer
3	–	Reserved

TRDIR: Transfer Direction

0 (WRITE): Write.

1 (READ): Read.

TRTYP: Transfer Type

Value	Name	Description
0	SINGLE	MMC/SD Card Single Block
1	MULTIPLE	MMC/SD Card Multiple Block
2	STREAM	MMC Stream
4	BYTE	SDIO Byte
5	BLOCK	SDIO Block

IOSPCMD: SDIO Special Command

Value	Name	Description
0	STD	Not an SDIO Special Command
1	SUSPEND	SDIO Suspend Command
2	RESUME	SDIO Resume Command

ATACS: ATA with Command Completion Signal

0 (NORMAL): Normal operation mode.

1 (COMPLETION): This bit indicates that a completion signal is expected within a programmed amount of time (HSMCI_CSTOR).

BOOT_ACK: Boot Operation Acknowledge

The master can choose to receive the boot acknowledge from the slave when a Boot Request command is issued. When set to one this field indicates that a Boot acknowledge is expected within a programmable amount of time defined with DTOMUL and DTOCYC fields located in the HSMCI_DTOR. If the acknowledge pattern is not received then an acknowledge timeout error is raised. If the acknowledge pattern is corrupted then an acknowledge pattern error is set.

SAMA5D3 SERIES

38.14.7 HSMCI Block Register

Name: HSMCI_BLKCR

Address: 0xF0000018 (0), 0xF8000018 (1), 0xF8004018 (2)

Access: Read/Write

31	30	29	28	27	26	25	24
BLKLEN							
23	22	21	20	19	18	17	16
BLKLEN							
15	14	13	12	11	10	9	8
BCNT							
7	6	5	4	3	2	1	0
BCNT							

BCNT: MMC/SDIO Block Count - SDIO Byte Count

This field determines the number of data byte(s) or block(s) to transfer.

The transfer data type and the authorized values for BCNT field are determined by the TRTYP field in the HSMCI Command Register (HSMCI_CMDR).

When TRTYP = 1 (MMC/SDCARD Multiple Block), BCNT can be programmed from 1 to 65535, 0 corresponds to an infinite block transfer.

When TRTYP = 4 (SDIO Byte), BCNT can be programmed from 1 to 511, 0 corresponds to 512-byte transfer. Values in range 512 to 65536 are forbidden.

When TRTYP = 5 (SDIO Block), BCNT can be programmed from 1 to 511, 0 corresponds to an infinite block transfer. Values in range 512 to 65536 are forbidden.

Warning: In SDIO Byte and Block modes (TRTYP = 4 or 5), writing the 7 last bits of BCNT field with a value which differs from 0 is forbidden and may lead to unpredictable results.

BLKLEN: Data Block Length

This field determines the size of the data block.

Bits 16 and 17 must be configured to 0 if FBYTE is disabled.

Note: In SDIO Byte mode, BLKLEN field is not used.

38.14.8 HSMCI Completion Signal Timeout Register

Name: HSMCI_CSTOR

Address: 0xF000001C (0), 0xF800001C (1), 0xF800401C (2)

Access: Read/Write

31	30	29	28	27	26	25	24
–	–	–	–	–	–	–	–
23	22	21	20	19	18	17	16
–	–	–	–	–	–	–	–
15	14	13	12	11	10	9	8
–	–	–	–	–	–	–	–
7	6	5	4	3	2	1	0
–	CSTOMUL			CSTOCYC			

This register can only be written if the WPEN bit is cleared in the [HSMCI Write Protection Mode Register](#).

CSTOCYC: Completion Signal Timeout Cycle Number

This field determines the maximum number of Master Clock cycles that the HSMCI waits between two data block transfers. Its value is calculated by (CSTOCYC x Multiplier).

CSTOMUL: Completion Signal Timeout Multiplier

This field determines the maximum number of Master Clock cycles that the HSMCI waits between two data block transfers. Its value is calculated by (CSTOCYC x Multiplier).

These fields determine the maximum number of Master Clock cycles that the HSMCI waits between the end of the data transfer and the assertion of the completion signal. The data transfer comprises data phase and the optional busy phase. If a non-DATA ATA command is issued, the HSMCI starts waiting immediately after the end of the response until the completion signal.

Multiplier is defined by CSTOMUL as shown in the following table:

Value	Name	Description
0	1	CSTOCYC x 1
1	16	CSTOCYC x 16
2	128	CSTOCYC x 128
3	256	CSTOCYC x 256
4	1024	CSTOCYC x 1024
5	4096	CSTOCYC x 4096
6	65536	CSTOCYC x 65536
7	1048576	CSTOCYC x 1048576

If the data time-out set by CSTOCYC and CSTOMUL has been exceeded, the Completion Signal Time-out Error flag (CSTOE) in the HSMCI Status Register (HSMCI_SR) rises.

SAMA5D3 SERIES

38.14.9 HSMCI Response Register

Name: HSMCI_RSPR

Address: 0xF0000020 (0), 0xF8000020 (1), 0xF8004020 (2)

Access: Read-only

31	30	29	28	27	26	25	24
RSP							
23	22	21	20	19	18	17	16
RSP							
15	14	13	12	11	10	9	8
RSP							
7	6	5	4	3	2	1	0
RSP							

RSP: Response

Note 1: The response register can be read by N accesses at the same HSMCI_RSPR or at consecutive addresses (0x20 to 0x2C). N depends on the size of the response.

38.14.10 HSMCI Receive Data Register

Name: HSMCI_RDR

Address: 0xF0000030 (0), 0xF8000030 (1), 0xF8004030 (2)

Access: Read-only

31	30	29	28	27	26	25	24
DATA							
23	22	21	20	19	18	17	16
DATA							
15	14	13	12	11	10	9	8
DATA							
7	6	5	4	3	2	1	0
DATA							

DATA: Data to Read

SAMA5D3 SERIES

38.14.11 HSMCI Transmit Data Register

Name: HSMCI_TDR

Address: 0xF0000034 (0), 0xF8000034 (1), 0xF8004034 (2)

Access: Write-only

31	30	29	28	27	26	25	24
DATA							
23	22	21	20	19	18	17	16
DATA							
15	14	13	12	11	10	9	8
DATA							
7	6	5	4	3	2	1	0
DATA							

DATA: Data to Write

38.14.12 HSMCI Status Register

Name: HSMCI_SR

Address: 0xF0000040 (0), 0xF8000040 (1), 0xF8004040 (2)

Access: Read-only

31	30	29	28	27	26	25	24
UNRE	OVRE	ACKRCVE	ACKRCV	XFRDONE	FIFOEMPTY	DMADONE	BLKOVRE
23	22	21	20	19	18	17	16
CSTOE	DTOE	DCRCE	RTOE	RENDE	RCRCE	RDIRE	RINDE
15	14	13	12	11	10	9	8
–	–	CSRCV	SDIOWAIT	–	–	–	SDIOIRQA
7	6	5	4	3	2	1	0
–	–	NOTBUSY	DTIP	BLKE	TXRDY	RXRDY	CMDRDY

CMDRDY: Command Ready (cleared by writing in HSMCI_CMDR)

0: A command is in progress.

1: The last command has been sent.

RXRDY: Receiver Ready (cleared by reading HSMCI_RDR)

0: Data has not yet been received since the last read of HSMCI_RDR.

1: Data has been received since the last read of HSMCI_RDR.

TXRDY: Transmit Ready (cleared by writing in HSMCI_TDR)

0: The last data written in HSMCI_TDR has not yet been transferred in the Shift Register.

1: The last data written in HSMCI_TDR has been transferred in the Shift Register.

BLKE: Data Block Ended (cleared on read)

This flag must be used only for Write Operations.

0: A data block transfer is not yet finished.

1: A data block transfer has ended, including the CRC16 Status transmission. The flag is set for each transmitted CRC Status.

Refer to the MMC or SD Specification for more details concerning the CRC Status.

DTIP: Data Transfer in Progress (cleared at the end of CRC16 calculation)

0: No data transfer in progress.

1: The current data transfer is still in progress, including CRC16 calculation.

NOTBUSY: HSMCI Not Busy

A block write operation uses a simple busy signalling of the write operation duration on the data (DAT0) line: during a data transfer block, if the card does not have a free data receive buffer, the card indicates this condition by pulling down the data line (DAT0) to LOW. The card stops pulling down the data line as soon as at least one receive buffer for the defined data transfer block length becomes free.

Refer to the MMC or SD Specification for more details concerning the busy behavior.

For all the read operations, the NOTBUSY flag is cleared at the end of the host command.

For the Infinite Read Multiple Blocks, the NOTBUSY flag is set at the end of the STOP_TRANSMISSION host command (CMD12).

For the Single Block Reads, the NOTBUSY flag is set at the end of the data read block.

For the Multiple Block Reads with predefined block count, the NOTBUSY flag is set at the end of the last received data block.

The NOTBUSY flag allows to deal with these different states.

0: The HSMCI is not ready for new data transfer. Cleared at the end of the card response.

1: The HSMCI is ready for new data transfer. Set when the busy state on the data line has ended. This corresponds to a free internal data receive buffer of the card.

SAMA5D3 SERIES

SDIOIRQ: SDIO Interrupt for Slot A (cleared on read)

- 0: No interrupt detected on SDIO Slot A.
- 1: An SDIO Interrupt on Slot A occurred.

SDIOWAIT: SDIO Read Wait Operation Status

- 0: Normal Bus operation.
- 1: The data bus has entered IO wait state.

CSRCV: CE-ATA Completion Signal Received (cleared on read)

- 0: No completion signal received since last status read operation.
- 1: The device has issued a command completion signal on the command line.

RINDE: Response Index Error (cleared by writing in HSMCI_CMDR)

- 0: No error.
- 1: A mismatch is detected between the command index sent and the response index received.

RDIRE: Response Direction Error (cleared by writing in HSMCI_CMDR)

- 0: No error.
- 1: The direction bit from card to host in the response has not been detected.

RRCRE: Response CRC Error (cleared by writing in HSMCI_CMDR)

- 0: No error.
- 1: A CRC7 error has been detected in the response.

RENDE: Response End Bit Error (cleared by writing in HSMCI_CMDR)

- 0: No error.
- 1: The end bit of the response has not been detected.

RTOE: Response Time-out Error (cleared by writing in HSMCI_CMDR)

- 0: No error.
- 1: The response time-out set by MAXLAT in the HSMCI_CMDR has been exceeded.

DCRCE: Data CRC Error (cleared on read)

- 0: No error.
- 1: A CRC16 error has been detected in the last data block.

DTOE: Data Time-out Error (cleared on read)

- 0: No error.
- 1: The data time-out set by DTOCYC and DTOMUL in HSMCI_DTOR has been exceeded.

CSTOE: Completion Signal Time-out Error (cleared on read)

- 0: No error.
- 1: The completion signal time-out set by CSTOCYC and CSTOMUL in HSMCI_CSTOR has been exceeded.

BLKOVRE: DMA Block Overrun Error (cleared on read)

- 0: No error.
- 1: A new block of data is received and the DMA controller has not started to move the current pending block, a block overrun is raised.

DMADONE: DMA Transfer Done (cleared on read)

- 0: DMA buffer transfer has not completed since the last read of the HSMCI_SR.
- 1: DMA buffer transfer has completed since the last read of the HSMCI_SR.

FIFOEMPTY: FIFO Empty Flag

0: FIFO contains at least one byte.

1: FIFO is empty.

XFRDONE: Transfer Done flag

0: A transfer is in progress.

1: Command Register is ready to operate and the data bus is in the idle state.

ACKRCV: Boot Operation Acknowledge Received (cleared on read)

0: No Boot acknowledge received since the last read of the HSMCI_SR.

1: A Boot acknowledge signal has been received since the last read of HSMCI_SR.

ACKRCVE: Boot Operation Acknowledge Error (cleared on read)

0: No boot operation error since the last read of HSMCI_SR

1: Corrupted Boot Acknowledge signal received since the last read of HSMCI_SR.

OVRE: Overrun (if FERRCTRL = 1, cleared by writing in HSMCI_CMDR or cleared on read if FERRCTRL = 0)

0: No error.

1: At least one 8-bit received data has been lost (not read).

If FERRCTRL = 1 in HSMCI_CFG, OVRE is cleared on read.

If FERRCTRL = 0 in HSMCI_CFG, OVRE is cleared by writing HSMCI_CMDR.

UNRE: Underrun (if FERRCTRL = 1, cleared by writing in HSMCI_CMDR or cleared on read if FERRCTRL = 0)

0: No error.

1: At least one 8-bit data has been sent without valid information (not written).

If FERRCTRL = 1 in HSMCI_CFG, OVRE is cleared on read.

If FERRCTRL = 0 in HSMCI_CFG, OVRE is cleared by writing HSMCI_CMDR.

SAMA5D3 SERIES

38.14.13 HSMCI Interrupt Enable Register

Name: HSMCI_IER

Address: 0xF0000044 (0), 0xF8000044 (1), 0xF8004044 (2)

Access: Write-only

31	30	29	28	27	26	25	24
UNRE	OVRE	ACKRCVE	ACKRCV	XFRDONE	FIFOEMPTY	DMADONE	BLKOVRE
23	22	21	20	19	18	17	16
CSTOE	DTOE	DCRCE	RTOE	RENDE	RCRCE	RDIRE	RINDE
15	14	13	12	11	10	9	8
–	–	CSRCV	SDIOWAIT	–	–	–	SDIOIRQA
7	6	5	4	3	2	1	0
–	–	NOTBUSY	DTIP	BLKE	TXRDY	RXRDY	CMDRDY

The following configuration values are valid for all listed bit names of this register:

0: No effect.

1: Enables the corresponding interrupt.

CMDRDY: Command Ready Interrupt Enable

RXRDY: Receiver Ready Interrupt Enable

TXRDY: Transmit Ready Interrupt Enable

BLKE: Data Block Ended Interrupt Enable

DTIP: Data Transfer in Progress Interrupt Enable

NOTBUSY: Data Not Busy Interrupt Enable

SDIOIRQA: SDIO Interrupt for Slot A Interrupt Enable

SDIOWAIT: SDIO Read Wait Operation Status Interrupt Enable

CSRCV: Completion Signal Received Interrupt Enable

RINDE: Response Index Error Interrupt Enable

RDIRE: Response Direction Error Interrupt Enable

RCRCE: Response CRC Error Interrupt Enable

RENDE: Response End Bit Error Interrupt Enable

RTOE: Response Time-out Error Interrupt Enable

DCRCE: Data CRC Error Interrupt Enable

DTOE: Data Time-out Error Interrupt Enable

CSTOE: Completion Signal Timeout Error Interrupt Enable

BLKOVRE: DMA Block Overrun Error Interrupt Enable

DMADONE: DMA Transfer completed Interrupt Enable

FIFOEMPTY: FIFO empty Interrupt enable

XFRDONE: Transfer Done Interrupt enable

ACKRCV: Boot Acknowledge Interrupt Enable

ACKRCVE: Boot Acknowledge Error Interrupt Enable

OVRE: Overrun Interrupt Enable

UNRE: Underrun Interrupt Enable

SAMA5D3 SERIES

38.14.14 HSMCI Interrupt Disable Register

Name: HSMCI_IDR

Address: 0xF0000048 (0), 0xF8000048 (1), 0xF8004048 (2)

Access: Write-only

31	30	29	28	27	26	25	24
UNRE	OVRE	ACKRCVE	ACKRCV	XFRDONE	FIFOEMPTY	DMADONE	BLKOVRE
23	22	21	20	19	18	17	16
CSTOE	DTOE	DCRCE	RTOE	RENDE	RCRCE	RDIRE	RINDE
15	14	13	12	11	10	9	8
–	–	CSRCV	SDIOWAIT	–	–	–	SDIOIRQA
7	6	5	4	3	2	1	0
–	–	NOTBUSY	DTIP	BLKE	TXRDY	RXRDY	CMDRDY

The following configuration values are valid for all listed bit names of this register:

0: No effect.

1: Disables the corresponding interrupt.

CMDRDY: Command Ready Interrupt Disable

RXRDY: Receiver Ready Interrupt Disable

TXRDY: Transmit Ready Interrupt Disable

BLKE: Data Block Ended Interrupt Disable

DTIP: Data Transfer in Progress Interrupt Disable

NOTBUSY: Data Not Busy Interrupt Disable

SDIOIRQA: SDIO Interrupt for Slot A Interrupt Disable

SDIOWAIT: SDIO Read Wait Operation Status Interrupt Disable

CSRCV: Completion Signal received interrupt Disable

RINDE: Response Index Error Interrupt Disable

RDIRE: Response Direction Error Interrupt Disable

RCRCE: Response CRC Error Interrupt Disable

RENDE: Response End Bit Error Interrupt Disable

RTOE: Response Time-out Error Interrupt Disable

DCRCE: Data CRC Error Interrupt Disable

DTOE: Data Time-out Error Interrupt Disable

CSTOE: Completion Signal Time out Error Interrupt Disable

BLKOVRE: DMA Block Overrun Error Interrupt Disable

DMADONE: DMA Transfer completed Interrupt Disable

FIFOEMPTY: FIFO empty Interrupt Disable

XFRDONE: Transfer Done Interrupt Disable

ACKRCV: Boot Acknowledge Interrupt Disable

ACKRCVE: Boot Acknowledge Error Interrupt Disable

OVRE: Overrun Interrupt Disable

UNRE: Underrun Interrupt Disable

SAMA5D3 SERIES

38.14.15 HSMCI Interrupt Mask Register

Name: HSMCI_IMR

Address: 0xF000004C (0), 0xF800004C (1), 0xF800404C (2)

Access: Read-only

31	30	29	28	27	26	25	24
UNRE	OVRE	ACKRCVE	ACKRCV	XFRDONE	FIFOEMPTY	DMADONE	BLKOVRE
23	22	21	20	19	18	17	16
CSTOE	DTOE	DCRCE	RTOE	RENDE	RCRCE	RDIRE	RINDE
15	14	13	12	11	10	9	8
–	–	CSRCV	SDIOWAIT	–	–	–	SDIOIRQA
7	6	5	4	3	2	1	0
–	–	NOTBUSY	DTIP	BLKE	TXRDY	RXRDY	CMDRDY

The following configuration values are valid for all listed bit names of this register:

0: The corresponding interrupt is not enabled.

1: The corresponding interrupt is enabled.

CMDRDY: Command Ready Interrupt Mask

RXRDY: Receiver Ready Interrupt Mask

TXRDY: Transmit Ready Interrupt Mask

BLKE: Data Block Ended Interrupt Mask

DTIP: Data Transfer in Progress Interrupt Mask

NOTBUSY: Data Not Busy Interrupt Mask

SDIOIRQA: SDIO Interrupt for Slot A Interrupt Mask

SDIOWAIT: SDIO Read Wait Operation Status Interrupt Mask

CSRCV: Completion Signal Received Interrupt Mask

RINDE: Response Index Error Interrupt Mask

RDIRE: Response Direction Error Interrupt Mask

RCRCE: Response CRC Error Interrupt Mask

RENDE: Response End Bit Error Interrupt Mask

RTOE: Response Time-out Error Interrupt Mask

DCRCE: Data CRC Error Interrupt Mask

DTOE: Data Time-out Error Interrupt Mask

CSTOE: Completion Signal Time-out Error Interrupt Mask

BLKOVRE: DMA Block Overrun Error Interrupt Mask

DMADONE: DMA Transfer Completed Interrupt Mask

FIFOEMPTY: FIFO Empty Interrupt Mask

XFRDONE: Transfer Done Interrupt Mask

ACKRCV: Boot Operation Acknowledge Received Interrupt Mask

ACKRCVE: Boot Operation Acknowledge Error Interrupt Mask

OVRE: Overrun Interrupt Mask

UNRE: Underrun Interrupt Mask

SAMA5D3 SERIES

38.14.16 HSMCI DMA Configuration Register

Name: HSMCI_DMA

Address: 0xF0000050 (0), 0xF8000050 (1), 0xF8004050 (2)

Access: Read/Write

31	30	29	28	27	26	25	24
–	–	–	–	–	–	–	–
23	22	21	20	19	18	17	16
–	–	–	–	–	–	–	–
15	14	13	12	11	10	9	8
–	–	–	ROPT	–	–	–	DMAEN
7	6	5	4	3	2	1	0
–	CHKSIZE			–	–	OFFSET	

This register can only be written if the WPEN bit is cleared in the [HSMCI Write Protection Mode Register](#).

OFFSET: DMA Write Buffer Offset

This field indicates the number of discarded bytes when the DMA writes the first word of the transfer.

CHKSIZE: DMA Channel Read and Write Chunk Size

The CHKSIZE field indicates the number of data available when the DMA chunk transfer request is asserted.

Value	Name	Description
0	1	1 data available
1	4	4 data available
2	8	8 data available
3	16	16 data available
4	32	32 data available

DMAEN: DMA Hardware Handshaking Enable

0: DMA interface is disabled.

1: DMA Interface is enabled.

Note: To avoid unpredictable behavior, DMA hardware handshaking must be disabled when CPU transfers are performed.

ROPT: Read Optimization with padding

0: BLKLEN bytes are moved from the Memory Card to the system memory; two DMA descriptors are used when the transfer size is not a multiple of 4.

1: CEILING(BLKLEN/4) * 4 bytes are moved from the Memory Card to the system memory; only one DMA descriptor is used.

38.14.17 HSMCI Configuration Register

Name: HSMCI_CFG

Address: 0xF0000054 (0), 0xF8000054 (1), 0xF8004054 (2)

Access: Read/Write

31	30	29	28	27	26	25	24
–	–	–	–	–	–	–	–
23	22	21	20	19	18	17	16
–	–	–	–	–	–	–	–
15	14	13	12	11	10	9	8
–	–	–	LSYNC	–	–	–	HSMODE
7	6	5	4	3	2	1	0
–	–	–	FERRCTRL	–	–	–	FIFOMODE

This register can only be written if the WPEN bit is cleared in the [HSMCI Write Protection Mode Register](#).

FIFOMODE: HSMCI Internal FIFO control mode

0: A write transfer starts when a sufficient amount of data is written into the FIFO.

When the block length is greater than or equal to 3/4 of the HSMCI internal FIFO size, then the write transfer starts as soon as half the FIFO is filled. When the block length is greater than or equal to half the internal FIFO size, then the write transfer starts as soon as one quarter of the FIFO is filled. In other cases, the transfer starts as soon as the total amount of data is written in the internal FIFO.

1: A write transfer starts as soon as one data is written into the FIFO.

FERRCTRL: Flow Error flag reset control mode

0: When an underflow/overflow condition flag is set, a new Write/Read command is needed to reset the flag.

1: When an underflow/overflow condition flag is set, a read status resets the flag.

HSMODE: High Speed Mode

0: Default bus timing mode.

1: If set to one, the host controller outputs command line and data lines on the rising edge of the card clock. The Host driver shall check the high speed support in the card registers.

LSYNC: Synchronize on the last block

0: The pending command is sent at the end of the current data block.

1: The pending command is sent at the end of the block transfer when the transfer length is not infinite (block count shall be different from zero).

SAMA5D3 SERIES

38.14.18 HSMCI Write Protection Mode Register

Name: HSMCI_WPMR

Address: 0xF00000E4 (0), 0xF80000E4 (1), 0xF80040E4 (2)

Access: Read/Write

31	30	29	28	27	26	25	24
WPKEY							
23	22	21	20	19	18	17	16
WPKEY							
15	14	13	12	11	10	9	8
WPKEY							
7	6	5	4	3	2	1	0
–	–	–	–	–	–	–	WPEN

WPEN: Write Protect Enable

0: Disables the Write Protection if WPKEY corresponds to 0x4D4349 (“MCI” in ASCII).

1: Enables the Write Protection if WPKEY corresponds to 0x4D4349 (“MCI” in ASCII).

See [Section 38.13 Register Write Protection](#) for the list of registers that can be write-protected.

WPKEY: Write Protect Key

Value	Name	Description
0x4D4349	PASSWD	Writing any other value in this field aborts the write operation of the WPEN bit. Always reads as 0.

38.14.19 HSMCI Write Protection Status Register

Name: HSMCI_WPSR

Address: 0xF00000E8 (0), 0xF80000E8 (1), 0xF80040E8 (2)

Access: Read-only

31	30	29	28	27	26	25	24
–	–	–	–	–	–	–	–
23	22	21	20	19	18	17	16
WPVSR							
15	14	13	12	11	10	9	8
WPVSR							
7	6	5	4	3	2	1	0
–	–	–	–	–	–	–	WPVS

WPVS: Write Protection Violation Status

0: No write protection violation has occurred since the last read of the HSMCI_WPSR.

1: A write protection violation has occurred since the last read of the HSMCI_WPSR. If this violation is an unauthorized attempt to write a protected register, the associated violation is reported into field WPVSR.

WPVSR: Write Protection Violation Source

When WPVS = 1, WPVSR indicates the register address offset at which a write access has been attempted.

SAMA5D3 SERIES

38.14.20 HSMCI FIFOx Memory Aperture

Name: HSMCI_FIFOx [x=0..255]

Address: 0xF0000200 (0), 0xF8000200 (1), 0xF8004200 (2)

Access: Read/Write

31	30	29	28	27	26	25	24
DATA							
23	22	21	20	19	18	17	16
DATA							
15	14	13	12	11	10	9	8
DATA							
7	6	5	4	3	2	1	0
DATA							

DATA: Data to Read or Data to Write

39. Serial Peripheral Interface (SPI)

39.1 Description

The Serial Peripheral Interface (SPI) circuit is a synchronous serial data link that provides communication with external devices in Master or Slave mode. It also enables communication between processors if an external processor is connected to the system.

The Serial Peripheral Interface is essentially a Shift register that serially transmits data bits to other SPIs. During a data transfer, one SPI system acts as the “master” which controls the data flow, while the other devices act as “slaves” which have data shifted into and out by the master. Different CPUs can take turn being masters (multiple master protocol, contrary to single master protocol where one CPU is always the master while all of the others are always slaves). One master can simultaneously shift data into multiple slaves. However, only one slave can drive its output to write data back to the master at any given time.

A slave device is selected when the master asserts its NSS signal. If multiple slave devices exist, the master generates a separate slave select signal for each slave (NPCS).

The SPI system consists of two data lines and two control lines:

- Master Out Slave In (MOSI)—This data line supplies the output data from the master shifted into the input(s) of the slave(s).
- Master In Slave Out (MISO)—This data line supplies the output data from a slave to the input of the master. There may be no more than one slave transmitting data during any particular transfer.
- Serial Clock (SPCK)—This control line is driven by the master and regulates the flow of the data bits. The master can transmit data at a variety of baud rates; there is one SPCK pulse for each bit that is transmitted.
- Slave Select (NSS)—This control line allows slaves to be turned on and off by hardware.

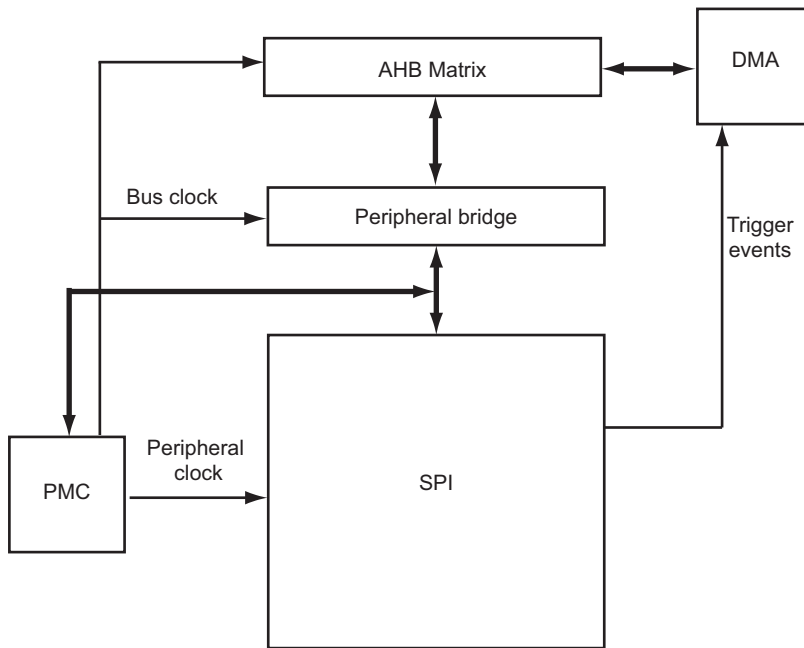
39.2 Embedded Characteristics

- Master or Slave Serial Peripheral Bus Interface
 - 8-bit to 16-bit programmable data length per chip select
 - Programmable phase and polarity per chip select
 - Programmable transfer delay between consecutive transfers and delay before SPI clock per chip select
 - Programmable delay between chip selects
 - Selectable mode fault detection
- Master Mode can drive SPCK up to Peripheral Clock
- Master Mode Bit Rate can be Independent of the Processor/Peripheral Clock
- Slave mode operates on SPCK, asynchronously with core and bus clock
- Four chip selects with external decoder support allow communication with up to 15 peripherals
- Communication with Serial External Devices Supported
 - Serial memories, such as DataFlash and 3-wire EEPROMs
 - Serial peripherals, such as ADCs, DACs, LCD controllers, CAN controllers and sensors
 - External coprocessors
- Connection to DMA Channel Capabilities, Optimizing Data Transfers
 - One channel for the receiver
 - One channel for the transmitter
- Register Write Protection

SAMA5D3 SERIES

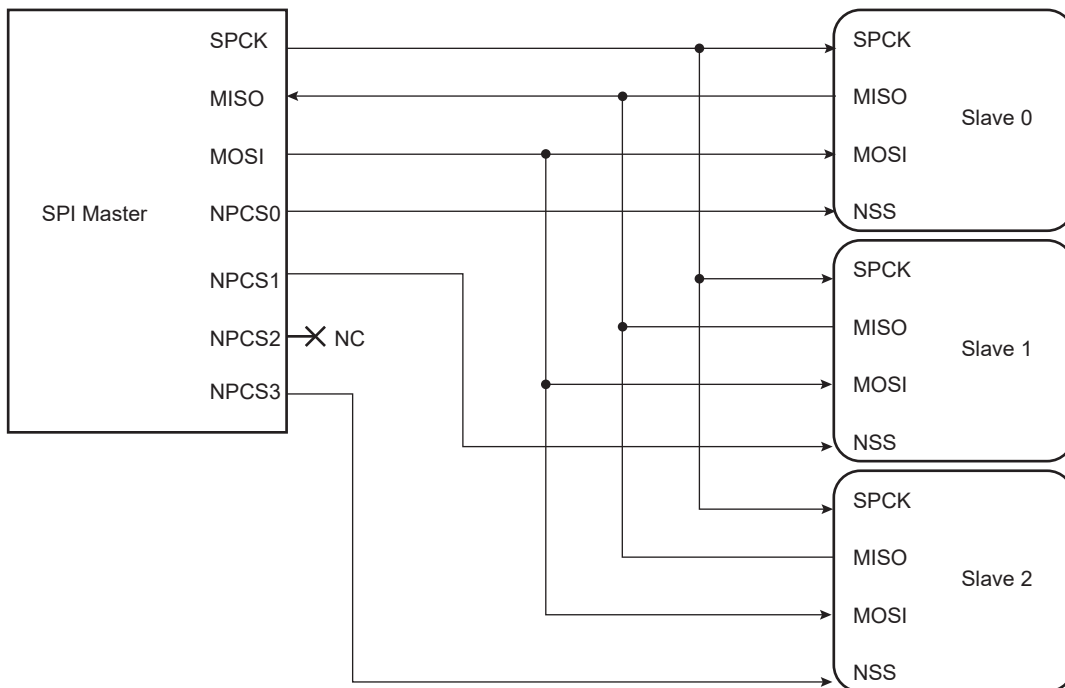
39.3 Block Diagram

Figure 39-1: Block Diagram



39.4 Application Block Diagram

Figure 39-2: Application Block Diagram: Single Master/Multiple Slave Implementation



39.5 Signal Description

Table 39-1: Signal Description

Pin Name	Pin Description	Type	
		Master	Slave
MISO	Master In Slave Out	Input	Output
MOSI	Master Out Slave In	Output	Input
SPCK	Serial Clock	Output	Input
NPCS1–NPCS3	Peripheral Chip Selects	Output	Unused
NPCS0/NSS	Peripheral Chip Select/Slave Select	Output	Input

39.6 Product Dependencies

39.6.1 I/O Lines

The pins used for interfacing the compliant external devices can be multiplexed with PIO lines. The programmer must first program the PIO controllers to assign the SPI pins to their peripheral functions.

Table 39-2: I/O Lines

Instance	Signal	I/O Line	Peripheral
SPI0	SPI0_MISO	PD10	A
SPI0	SPI0_MOSI	PD11	A
SPI0	SPI0_NPCS0	PD13	A
SPI0	SPI0_NPCS1	PD14	B
SPI0	SPI0_NPCS2	PD15	B
SPI0	SPI0_NPCS3	PD16	B
SPI0	SPI0_SPCK	PD12	A
SPI1	SPI1_MISO	PC22	A
SPI1	SPI1_MOSI	PC23	A
SPI1	SPI1_NPCS0	PC25	A
SPI1	SPI1_NPCS1	PC26	A
SPI1	SPI1_NPCS2	PC27	A
SPI1	SPI1_NPCS3	PC28	A
SPI1	SPI1_SPCK	PC24	A

39.6.2 Power Management

The SPI can be clocked through the Power Management Controller (PMC), thus the programmer must first configure the PMC to enable the SPI clock.

SAMA5D3 SERIES

39.6.3 Interrupt

The SPI interface has an interrupt line connected to the interrupt controller. Handling the SPI interrupt requires programming the interrupt controller before configuring the SPI.

Table 39-3: Peripheral IDs

Instance	ID
SPI0	24
SPI1	25

39.6.4 Direct Memory Access Controller (DMAC)

The SPI interface can be used in conjunction with the DMAC in order to reduce processor overhead. For a full description of the DMAC, refer to [Section 31. DMA Controller \(DMAC\)](#).

39.7 Functional Description

39.7.1 Modes of Operation

The SPI operates in Master mode or in Slave mode.

- The SPI operates in Master mode by setting the MSTR bit in the SPI Mode Register (SPI_MR):
 - Pins NPCS0 to NPCS3 are all configured as outputs
 - The SPCK pin is driven
 - The MISO line is wired on the receiver input
 - The MOSI line is driven as an output by the transmitter.
- The SPI operates in Slave mode if the MSTR bit in the SPI_MR is written to 0:
 - The MISO line is driven by the transmitter output
 - The MOSI line is wired on the receiver input
 - The SPCK pin is driven by the transmitter to synchronize the receiver.
 - The NPCS0 pin becomes an input, and is used as a slave select signal (NSS)
 - NPCS1 to NPCS3 are not driven and can be used for other purposes.

The data transfers are identically programmable for both modes of operation. The baud rate generator is activated only in Master mode.

39.7.2 Data Transfer

Four combinations of polarity and phase are available for data transfers. The clock polarity is programmed with the CPOL bit in the SPI chip select registers (SPI_CSRx). The clock phase is programmed with the NCPHA bit. These two parameters determine the edges of the clock signal on which data is driven and sampled. Each of the two parameters has two possible states, resulting in four possible combinations that are incompatible with one another. Consequently, a master/slave pair must use the same parameter pair values to communicate. If multiple slaves are connected and require different configurations, the master must reconfigure itself each time it needs to communicate with a different slave.

[Table 39-4](#) shows the four modes and corresponding parameter settings.

Table 39-4: SPI Bus Protocol Modes

SPI Mode	CPOL	NCPHA	Shift SPCK Edge	Capture SPCK Edge	SPCK Inactive Level
0	0	1	Falling	Rising	Low
1	0	0	Rising	Falling	Low
2	1	1	Rising	Falling	High
3	1	0	Falling	Rising	High

[Figure 39-3](#) and [Figure 39-4](#) show examples of data transfers.

Figure 39-3: SPI Transfer Format (NCPHA = 1, 8 bits per transfer)

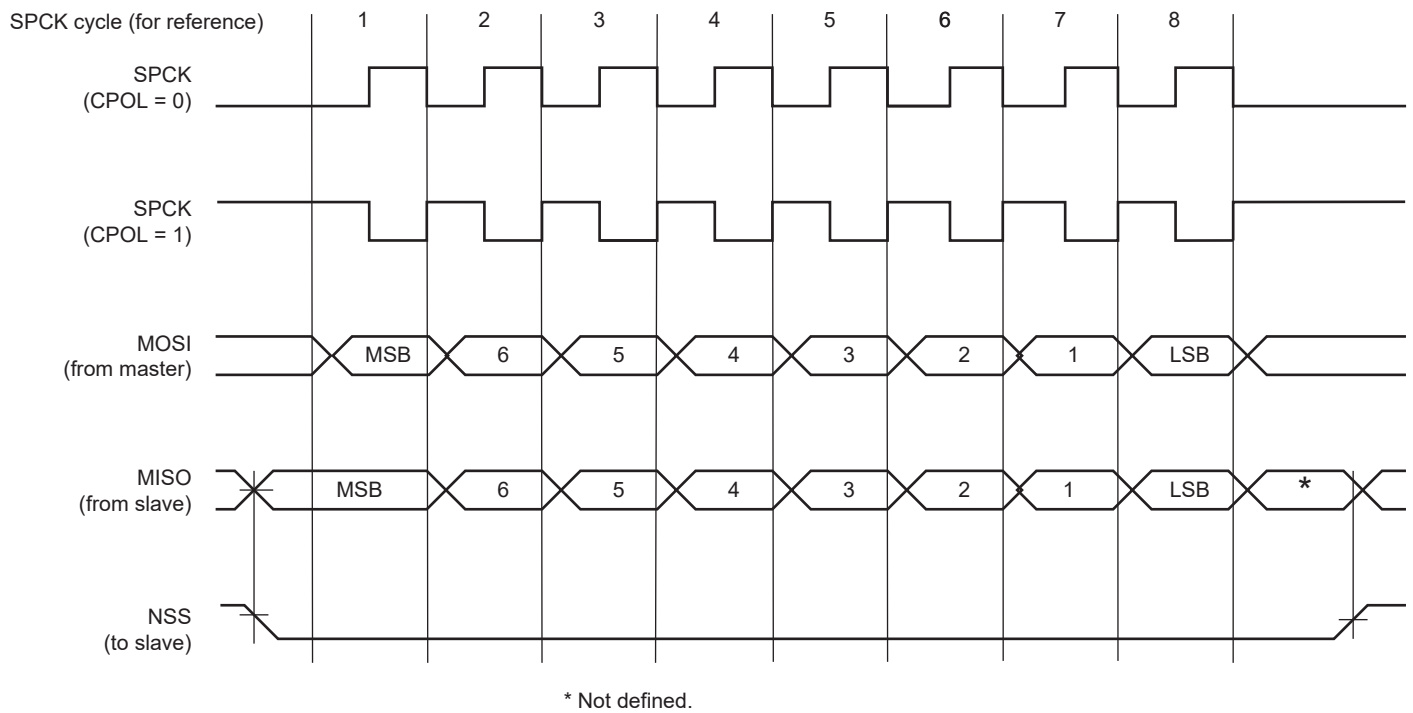
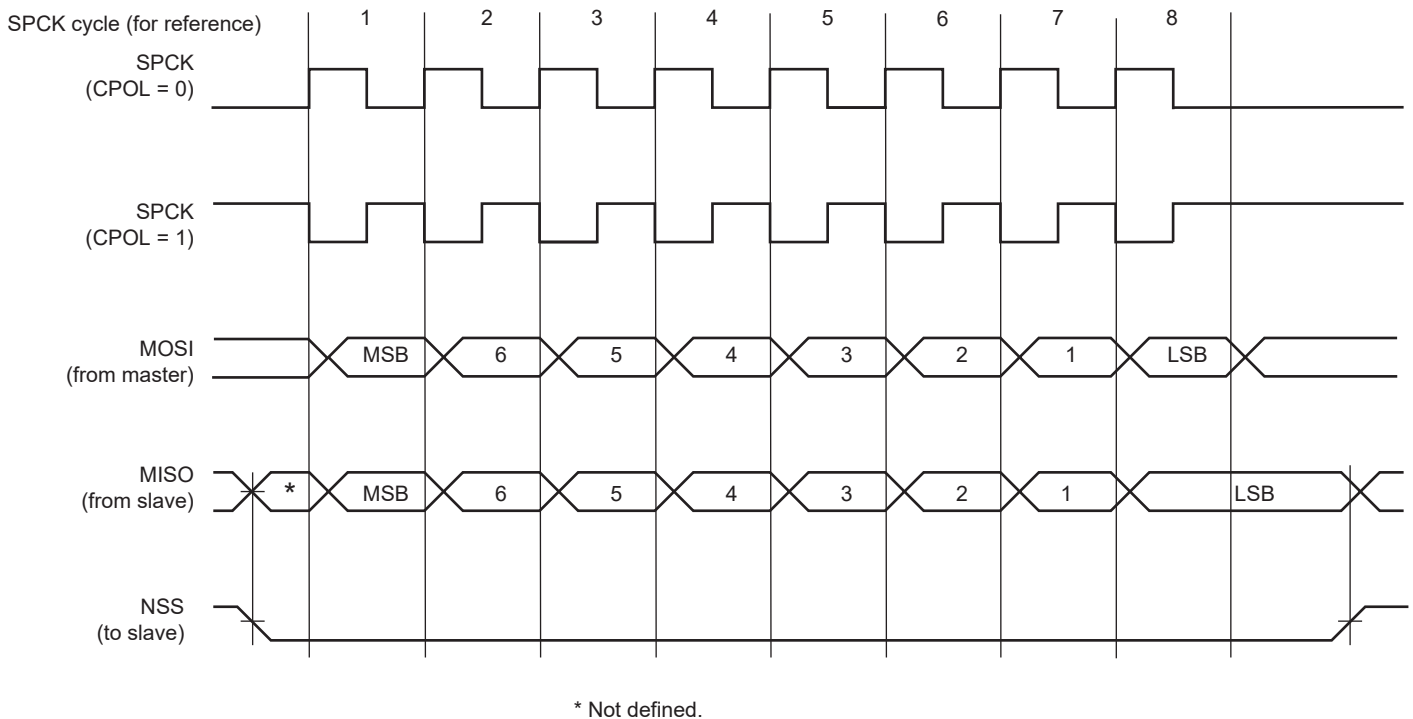


Figure 39-4: SPI Transfer Format (NCPHA = 0, 8 bits per transfer)



39.7.3 Master Mode Operations

When configured in Master mode, the SPI operates on the clock generated by the internal programmable baud rate generator. It fully controls the data transfers to and from the slave(s) connected to the SPI bus. The SPI drives the chip select line to the slave and the serial clock signal (SPCK).

SAMA5D3 SERIES

The SPI features two holding registers, the Transmit Data Register (SPI_TDR) and the Receive Data Register (SPI_RDR), and a single shift register. The holding registers maintain the data flow at a constant rate.

After enabling the SPI, a data transfer starts when the processor writes to the SPI_TDR. The written data is immediately transferred in the Shift register and the transfer on the SPI bus starts. While the data in the Shift register is shifted on the MOSI line, the MISO line is sampled and shifted in the Shift register. Data cannot be loaded in the SPI_RDR without transmitting data. If there is no data to transmit, dummy data can be used (SPI_TDR filled with ones). If the SPI_MR.WDRBT bit is set, transmission can occur only if the SPI_RDR has been read. If Receiving mode is not required, for example when communicating with a slave receiver only (such as an LCD), the receive status flags in the SPI Status register (SPI_SR) can be discarded.

Before writing the SPI_TDR, the PCS field in the SPI_MR must be set in order to select a slave.

If new data is written in the SPI_TDR during the transfer, it is kept in the SPI_TDR until the current transfer is completed. Then, the received data is transferred from the Shift register to the SPI_RDR, the data in the SPI_TDR is loaded in the Shift register and a new transfer starts.

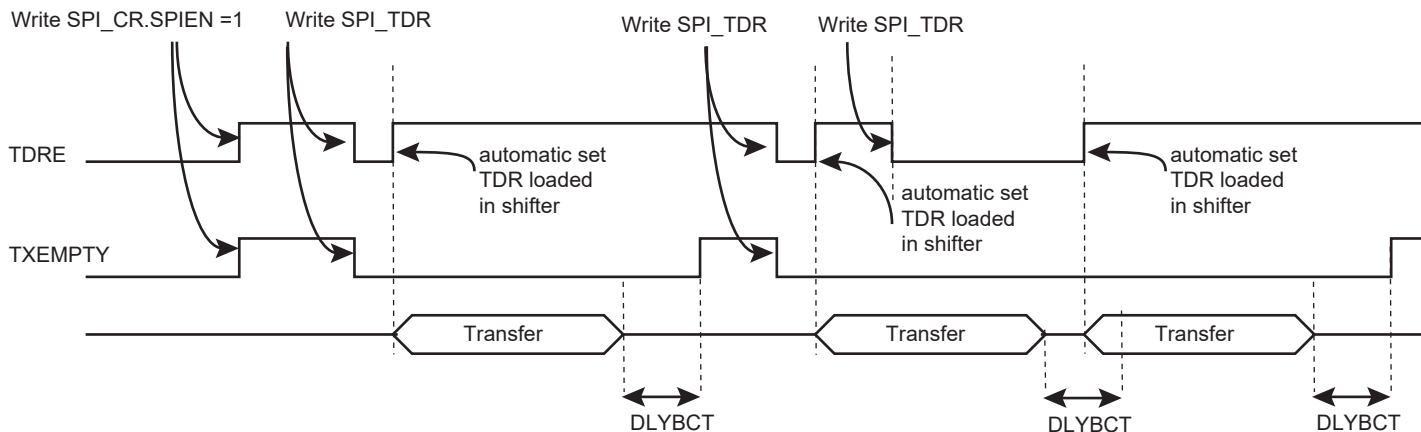
As soon as the SPI_TDR is written, the Transmit Data Register Empty (TDRE) flag in the SPI_SR is cleared. When the data written in the SPI_TDR is loaded into the Shift register, the TDRE flag in the SPI_SR is set. The TDRE bit is used to trigger the Transmit DMA channel.

See [Figure 39-5](#).

The end of transfer is indicated by the TXEMPTY flag in the SPI_SR. If a transfer delay (DLYBCT) is greater than 0 for the last transfer, TXEMPTY is set after the completion of this delay. The peripheral clock can be switched off at this time.

Note: When the SPI is enabled, the TDRE and TXEMPTY flags are set.

Figure 39-5: TDRE and TXEMPTY flag behavior



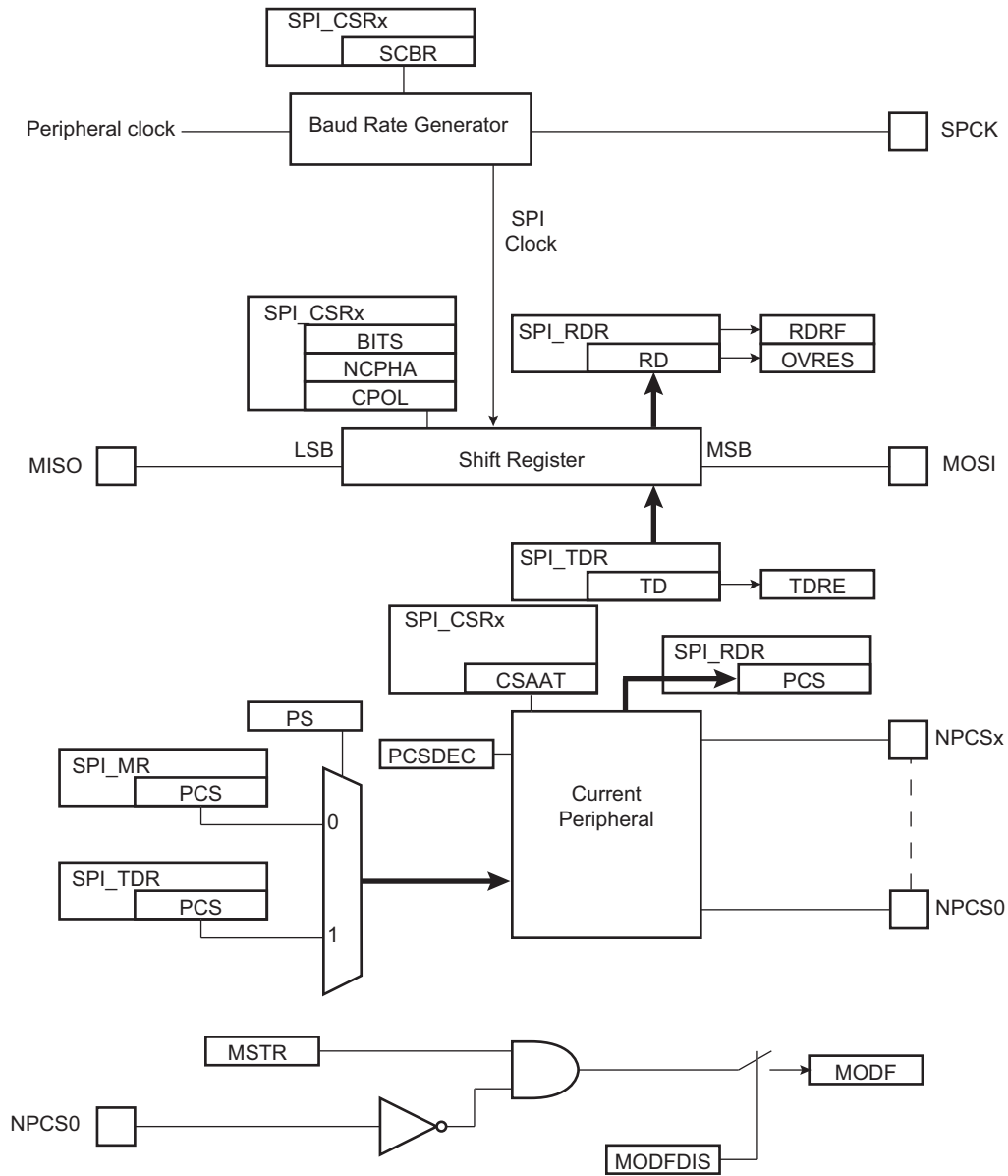
The transfer of received data from the Shift register to the SPI_RDR is indicated by the Receive Data Register Full (RDRF) bit in the SPI_SR. When the received data is read, the RDRF bit is cleared.

If the SPI_RDR has not been read before new data is received, the Overrun Error (OVRES) bit in the SPI_SR is set. As long as this flag is set, data is loaded in the SPI_RDR. The user has to read the SPI_SR to clear the OVRES bit.

[Figure 39-6](#) shows a block diagram of the SPI when operating in Master mode. [Figure 39-7](#) shows a flow chart describing how transfers are handled.

39.7.3.1 Master Mode Block Diagram

Figure 39-6: Master Mode Block Diagram



SAMA5D3 SERIES

39.7.3.2 Master Mode Flow Diagram

Figure 39-7: Master Mode Flow Diagram

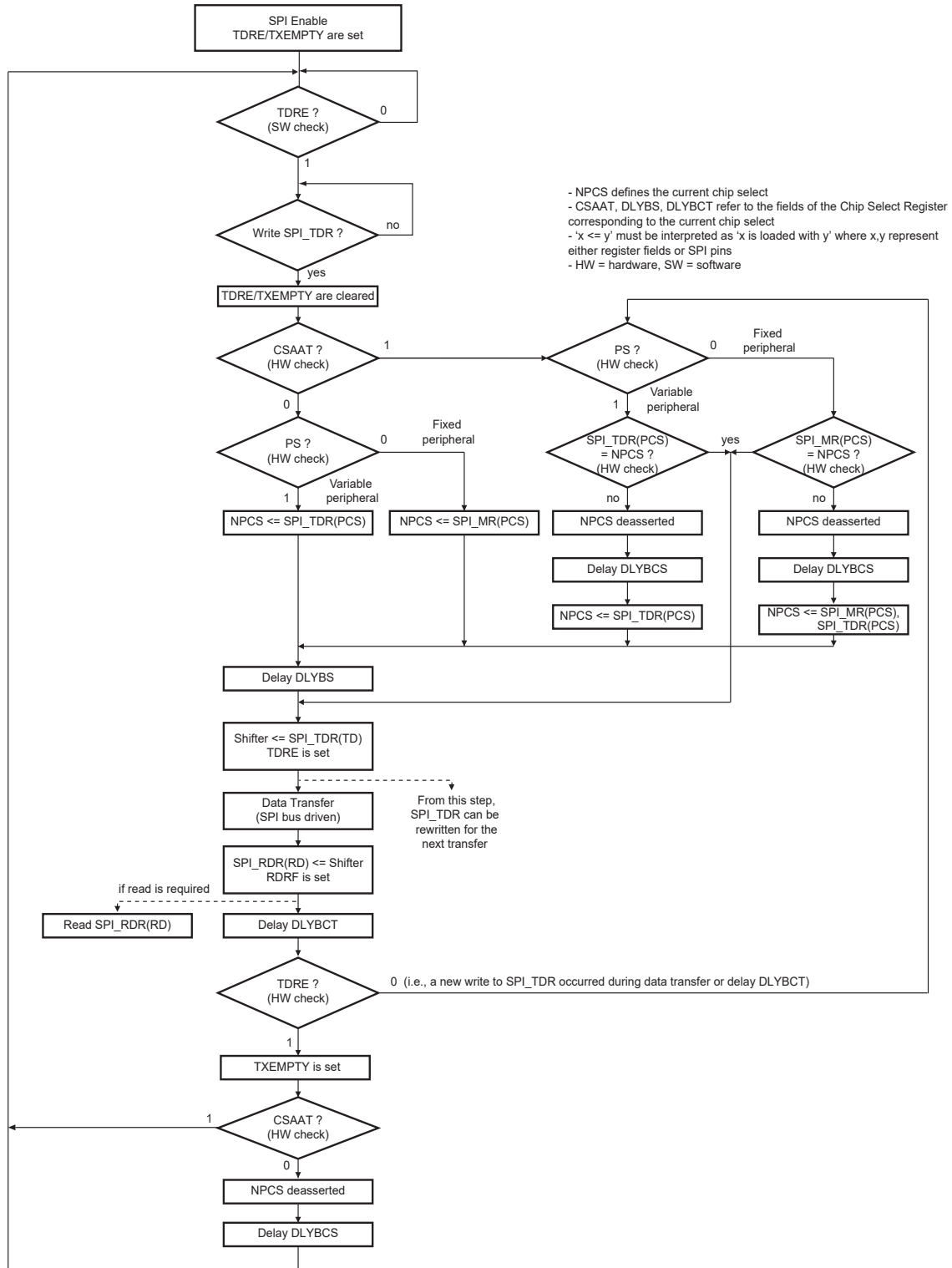
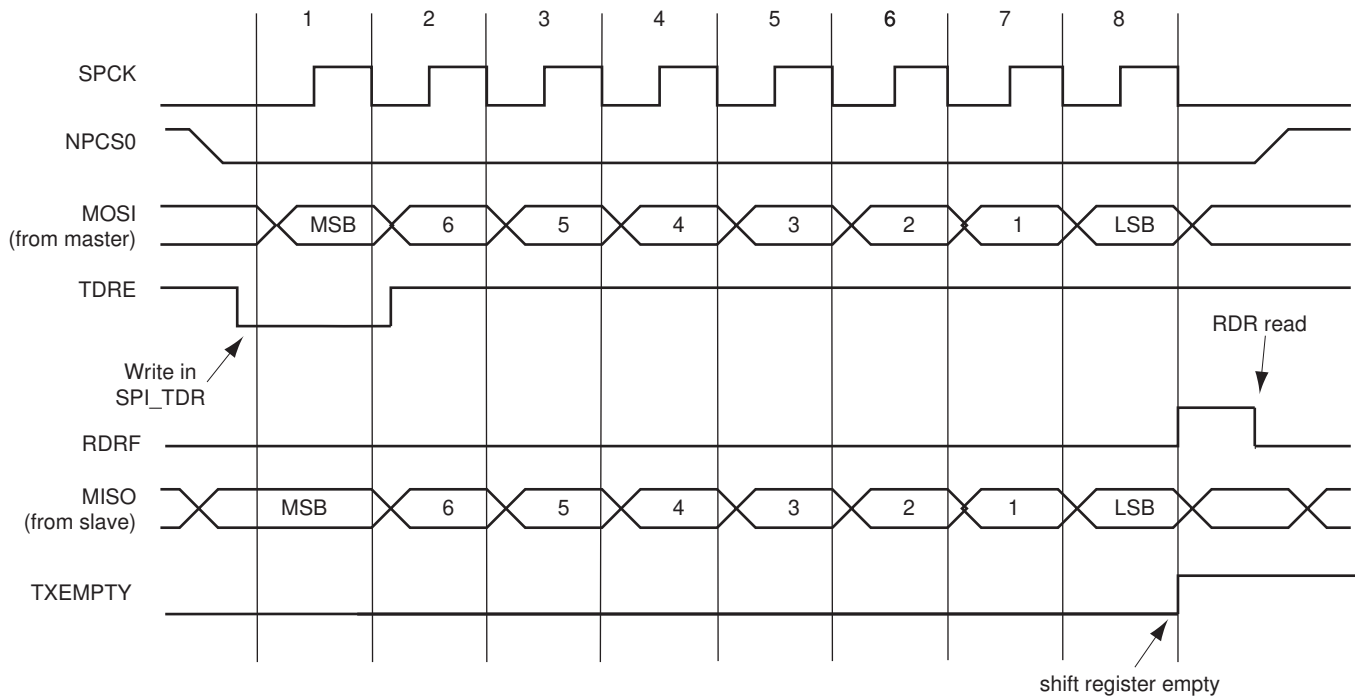


Figure 39-8 shows the behavior of Transmit Data Register Empty (TDRE), Receive Data Register (RDRF) and Transmission Register Empty (TXEMPTY) status flags within the SPI_SR during an 8-bit data transfer in Fixed mode without the DMA involved.

Figure 39-8: Status Register Flags Behavior



39.7.3.3 Clock Generation

The SPI Baud rate clock is generated by dividing the peripheral clock by a value between 1 and 255.

If the SCBR field in the SPI_CSR is programmed to 1, the operating baud rate is peripheral clock (see [Section 54. Electrical Characteristics](#) for the SPCK maximum frequency). Triggering a transfer while SCBR is at 0 can lead to unpredictable results.

At reset, SCBR is 0 and the user has to program it to a valid value before performing the first transfer.

The divisor can be defined independently for each chip select, as it has to be programmed in the SCBR field. This allows the SPI to automatically adapt the baud rate for each interfaced peripheral without reprogramming.

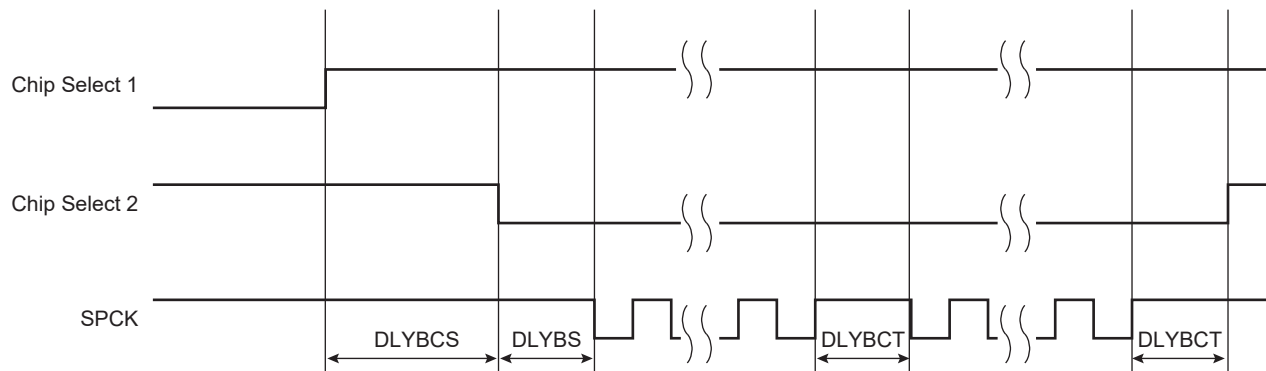
39.7.3.4 Transfer Delays

[Figure 39-9](#) shows a chip select transfer change and consecutive transfers on the same chip select. Three delays can be programmed to modify the transfer waveforms:

- Delay between the chip selects—programmable only once for all chip selects by writing the DLYBCS field in the SPI_MR. The SPI slave device deactivation delay is managed through DLYBCS. If there is only one SPI slave device connected to the master, the DLYBCS field does not need to be configured. If several slave devices are connected to a master, DLYBCS must be configured depending on the highest deactivation delay. Refer to the SPI slave device electrical characteristics.
- Delay before SPCK—independently programmable for each chip select by writing the DLYBS field. The SPI slave device activation delay is managed through DLYBS. Refer to the SPI slave device electrical characteristics to define DLYBS.
- Delay between consecutive transfers—independently programmable for each chip select by writing the DLYBCT field. The time required by the SPI slave device to process received data is managed through DLYBCT. This time depends on the SPI slave system activity.

These delays allow the SPI to be adapted to the interfaced peripherals and their speed and bus release time.

Figure 39-9: Programmable Delays



39.7.3.5 Peripheral Selection

The serial peripherals are selected through the assertion of the NPCS0 to NPCS3 signals. By default, all NPCS signals are high before and after each transfer.

- **Fixed Peripheral Select Mode:** SPI exchanges data with only one peripheral. Fixed Peripheral Select mode is enabled by clearing the PS bit in the SPI_MR. In this case, the current peripheral is defined by the PCS field in the SPI_MR and the PCS field in the SPI_TDR has no effect.
- **Variable Peripheral Select Mode:** Data can be exchanged with more than one peripheral without having to reprogram the NPCS field in the SPI_MR. Variable Peripheral Select mode is enabled by setting the PS bit in the SPI_MR. The PCS field in the SPI_TDR is used to select the current peripheral. This means that the peripheral selection can be defined for each new data. The value to write in the SPI_TDR has the following format:

[xxxxxxx(7-bit) + LASTXFER(1-bit)⁽¹⁾ + xxxx(4-bit) + PCS (4-bit) + DATA (8 to 16-bit)] with PCS equals the chip select to assert, as defined in [Section 39.8.4 SPI Transmit Data Register](#) and LASTXFER bit at 0 or 1 depending on the CSAAT bit.

Note 1: Optional

CSAAT, LASTXFER and CSNAAT bits are discussed in [Section 39.7.3.9 Peripheral Deselection with DMA](#).

If LASTXFER is used, the command must be issued after writing the last character. Instead of LASTXFER, the user can use the SPIDIS command. After the end of the DMA transfer, it is necessary to wait for the TXEMPTY flag and then write SPIDIS into the SPI Control Register (SPI_CR). This does not change the configuration register values). The NPCS is disabled after the last character transfer. Then, another DMA transfer can be started if the SPIEN has previously been written in the SPI_CR.

39.7.3.6 SPI Direct Access Memory Controller (DMAC)

In both Fixed and Variable modes, the Direct Memory Access Controller (DMAC) can be used to reduce processor overhead.

The fixed peripheral selection allows buffer transfers with a single peripheral. Using the DMAC is an optimal means, as the size of the data transfer between the memory and the SPI is either 8 bits or 16 bits. However, if the peripheral selection is modified, the SPI_MR must be reprogrammed.

The variable peripheral selection allows buffer transfers with multiple peripherals without reprogramming the SPI_MR. Data written in the SPI_TDR is 32 bits wide and defines the real data to be transmitted and the destination peripheral. Using the DMAC in this mode requires 32-bit wide buffers, with the data in the LSBs and the PCS and LASTXFER fields in the MSBs. However, the SPI still controls the number of bits (8 to 16) to be transferred through MISO and MOSI lines with the chip select configuration registers. This is not the optimal means in terms of memory size for the buffers, but it provides a very effective means to exchange data with several peripherals without any intervention of the processor.

39.7.3.7 Peripheral Chip Select Decoding

The user can program the SPI to operate with up to 15 slave peripherals by decoding the four chip select lines, NPCS0 to NPCS3 with an external decoder/demultiplexer (refer to [Figure 39-10](#)). This can be enabled by setting the PCSDEC bit in the SPI_MR.

When operating without decoding, the SPI makes sure that in any case only one chip select line is activated, i.e., one NPCS line driven low at a time. If two bits are defined low in a PCS field, only the lowest numbered chip select is driven low.

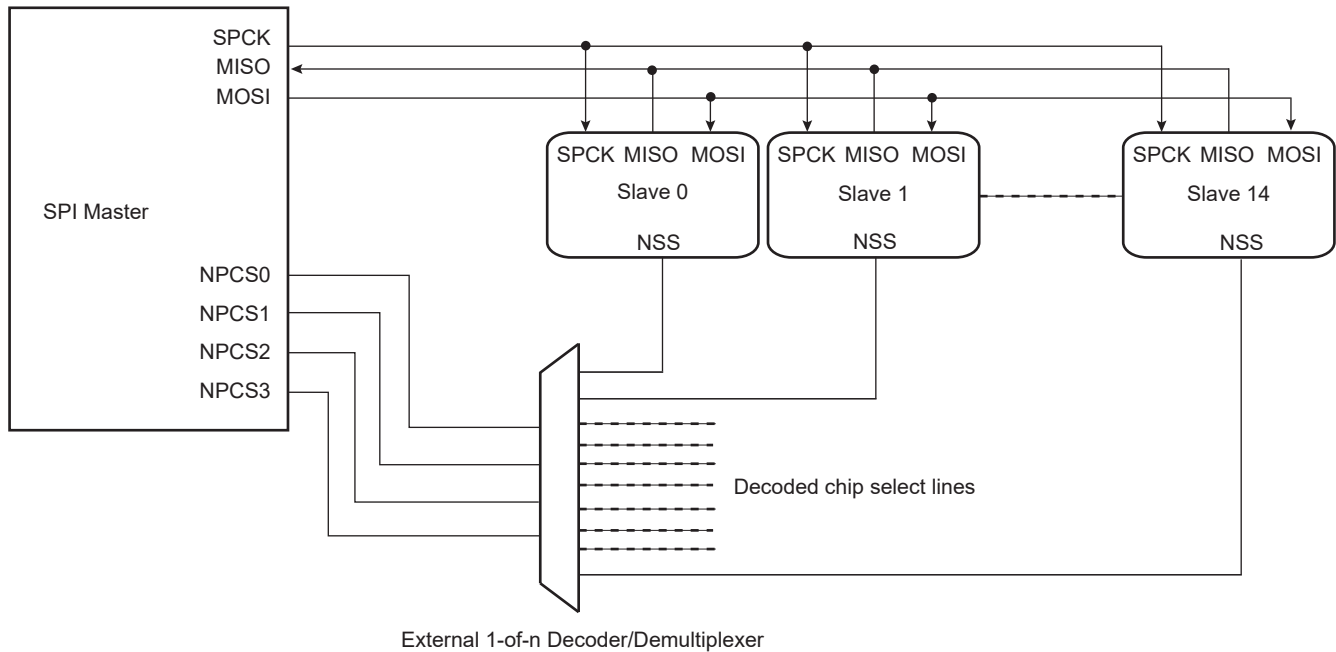
When operating with decoding, the SPI directly outputs the value defined by the PCS field on the NPCS lines of either SPI_MR or SPI_TDR (depending on PS).

As the SPI sets a default value of 0xF on the chip select lines (i.e., all chip select lines at 1) when not processing any transfer, only 15 peripherals can be decoded.

The SPI has four chip select registers (SPI_CSR0...SPI_CSR3). As a result, when external decoding is activated, each NPCS chip select defines the characteristics of up to four peripherals. As an example, SPI_CRS0 defines the characteristics of the externally decoded peripherals 0 to 3, corresponding to the PCS values 0x0 to 0x3. Consequently, the user has to make sure to connect compatible peripherals on the decoded chip select lines 0 to 3, 4 to 7, 8 to 11 and 12 to 14. Figure 39-10 shows this type of implementation.

If the CSAAT bit is used, with or without the DMAC, the Mode Fault detection for NPCS0 line must be disabled. This is not needed for all other chip select lines since Mode Fault detection is only on NPCS0.

Figure 39-10: Chip Select Decoding Application Block Diagram: Single Master/Multiple Slave Implementation



39.7.3.8 Peripheral Deselection without DMA

During a transfer of more than one unit of data on a chip select without the DMA, the SPI_TDR is loaded by the processor, the TDRE flag rises as soon as the content of the SPI_TDR is transferred into the internal Shift register. When this flag is detected high, the SPI_TDR can be reloaded. If this reload by the processor occurs before the end of the current transfer and if the next transfer is performed on the same chip select as the current transfer, the chip select is not de-asserted between the two transfers. But depending on the application software handling the SPI status register flags (by interrupt or polling method) or servicing other interrupts or other tasks, the processor may not reload the SPI_TDR in time to keep the chip select active (low). A null DLYBCT value (delay between consecutive transfers) in the SPI_CSR, gives even less time for the processor to reload the SPI_TDR. With some SPI slave peripherals, if the chip select line must remain active (low) during a full set of transfers, communication errors can occur.

To facilitate interfacing with such devices, the chip select registers [SPI_CSR0...SPI_CSR3] can be programmed with the Chip Select Active After Transfer (CSAAT) bit at 1. This allows the chip select lines to remain in their current state (low = active) until a transfer to another chip select is required. Even if the SPI_TDR is not reloaded, the chip select remains active. To de-assert the chip select line at the end of the transfer, the Last Transfer (LASTXFER) bit in SPI_CR must be set after writing the last data to transmit into SPI_TDR.

39.7.3.9 Peripheral Deselection with DMA

DMA provides faster reloads of the SPI_TDR compared to software. However, depending on the system activity, it is not guaranteed that the SPI_TDR is written with the next data before the end of the current transfer. Consequently, data can be lost by the de-assertion of the NPCS line for SPI slave peripherals requiring the chip select line to remain active between two transfers. The only way to ensure a safe transfer in this case is the use of the CSAAT and LASTXFER bits.

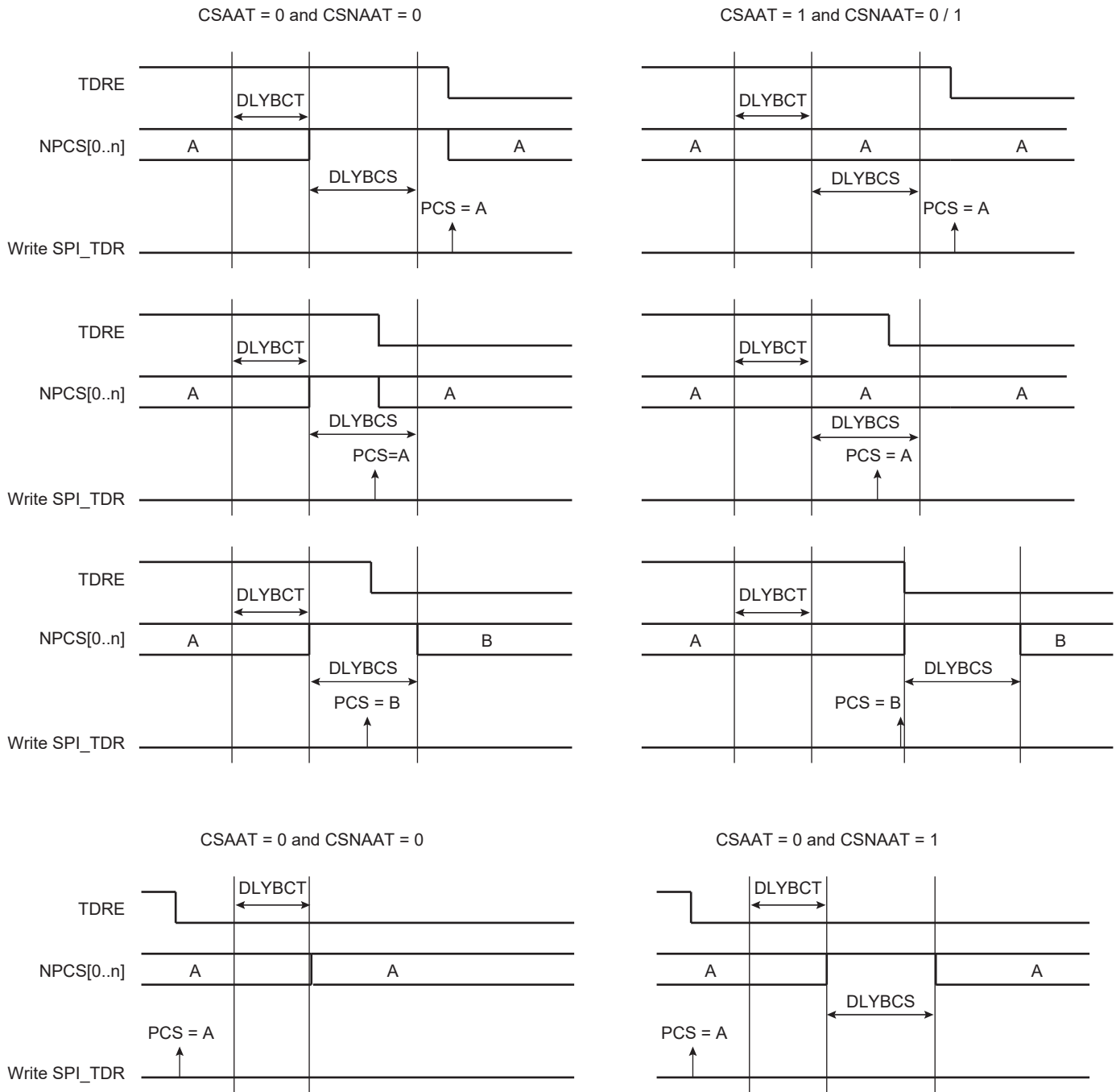
When the CSAAT bit is configured to 0, the NPCS does not rise in all cases between two transfers on the same peripheral. During a transfer on a chip select, the TDRE flag rises as soon as the content of the SPI_TDR is transferred into the internal shift register. When this flag is detected, the SPI_TDR can be reloaded. If this reload occurs before the end of the current transfer and if the next transfer is performed on the same chip select as the current transfer, the chip select is not de-asserted between the two transfers. This can lead to difficulties

SAMA5D3 SERIES

to interface with some serial peripherals requiring the chip select to be de-asserted after each transfer. To facilitate interfacing with such devices, the SPI_CSR can be programmed with the Chip Select Not Active After Transfer (CSNAAT) bit at 1. This allows the chip select lines to be de-asserted systematically during a time “DLYBCS” (the value of the CSNAAT bit is processed only if the CSAAT bit is configured to 0 for the same chip select).

Figure 39-11 shows different peripheral deselection cases and the effect of the CSAAT and CSNAAT bits.

Figure 39-11: Peripheral Deselection



39.7.3.10 Mode Fault Detection

The SPI has the capability to operate in multi-master environment. Consequently, the NPCS0/NSS line must be monitored. If one of the masters on the SPI bus is currently transmitting, the NPCS0/NSS line is low and the SPI must not transmit any data. A mode fault is detected when the SPI is programmed in Master mode and a low level is driven by an external master on the NPCS0/NSS signal. In multi-

master environment, NPCS0, MOSI, MISO and SPCK pins must be configured in open drain (through the PIO controller). When a mode fault is detected, the SPI_SR.MODF bit is set until SPI_SR is read and the SPI is automatically disabled until it is re-enabled by setting the SPI_CR.SPIEN bit.

By default, the mode fault detection is enabled. The user can disable it by setting the SPI_MR.MODFDIS bit.

39.7.4 SPI Slave Mode

When operating in Slave mode, the SPI processes data bits on the clock provided on the SPI clock pin (SPCK).

The SPI waits until NSS goes active before receiving the serial clock from an external master. When NSS falls, the clock is validated and the data is loaded in the SPI_RDR depending on the BITS field configured in SPI_CSR0. These bits are processed following a phase and a polarity defined respectively by the NCPHA and CPOL bits in SPI_CSR0. Note that the fields BITS, CPOL and NCPHA of the other chip select registers (SPI_CSR1...SPI_CSR3) have no effect when the SPI is programmed in Slave mode.

The bits are shifted out on the MISO line and sampled on the MOSI line.

Note: For more information on the BITS field, see also the note below the SPI_CSRx register bitmap ([Section 39.8.9 SPI Chip Select Register](#)).

When all bits are processed, the received data is transferred in the SPI_RDR and the RDRF bit rises. If the SPI_RDR has not been read before new data is received, the Overrun Error Status (OVRES) bit in the SPI_SR is set. As long as this flag is set, data is loaded in the SPI_RDR. The user must read SPI_SR to clear the OVRES bit.

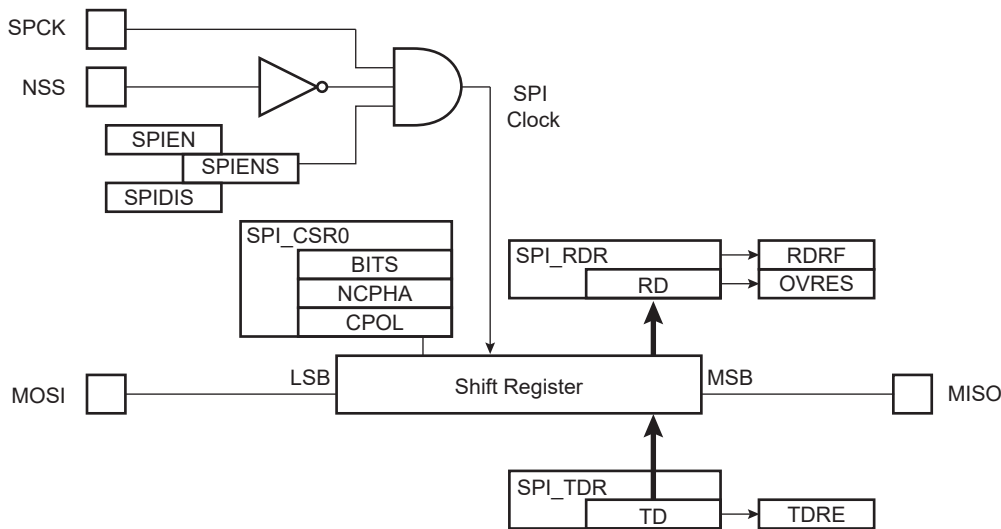
When a transfer starts, the data shifted out is the data present in the Shift register. If no data has been written in the SPI_TDR, the last data received is transferred. If no data has been received since the last reset, all bits are transmitted low, as the Shift register resets to 0.

When a first data is written in the SPI_TDR, it is transferred immediately in the Shift register and the TDRE flag rises. If new data is written, it remains in the SPI_TDR until a transfer occurs, i.e., NSS falls and there is a valid clock on the SPCK pin. When the transfer occurs, the last data written in the SPI_TDR is transferred in the Shift register and the TDRE flag rises. This enables frequent updates of critical variables with single transfers.

Then, new data is loaded in the Shift register from the SPI_TDR. If no character is ready to be transmitted, i.e., no character has been written in the SPI_TDR since the last load from the SPI_TDR to the Shift register, the SPI_TDR is retransmitted. In this case the Underrun Error Status Flag (UNDES) is set in the SPI_SR.

[Figure 39-12](#) shows a block diagram of the SPI when operating in Slave mode.

Figure 39-12: Slave Mode Functional Block Diagram



39.7.5 Register Write Protection

To prevent any single software error from corrupting SPI behavior, certain registers in the address space can be write-protected by setting the WPEN bit in the [SPI Write Protection Mode Register](#) (SPI_WPMR).

If a write access to a write-protected register is detected, the WPVS flag in the [SPI Write Protection Status Register](#) (SPI_WPSR) is set and the WPVSR field indicates the register in which the write access has been attempted.

The WPVS bit is automatically cleared after reading SPI_WPSR.

SAMA5D3 SERIES

The following registers can be write-protected:

- [SPI Mode Register](#)
- [SPI Chip Select Register](#)

39.8 Serial Peripheral Interface (SPI) User Interface

In the “Offset” column of [Table 39-5](#), ‘CS_number’ denotes the chip select number.

Table 39-5: Register Mapping

Offset	Register	Name	Access	Reset
0x00	Control Register	SPI_CR	Write-only	–
0x04	Mode Register	SPI_MR	Read/Write	0x0
0x08	Receive Data Register	SPI_RDR	Read-only	0x0
0x0C	Transmit Data Register	SPI_TDR	Write-only	–
0x10	Status Register	SPI_SR	Read-only	0x0
0x14	Interrupt Enable Register	SPI_IER	Write-only	–
0x18	Interrupt Disable Register	SPI_IDR	Write-only	–
0x1C	Interrupt Mask Register	SPI_IMR	Read-only	0x0
0x20–0x2C	Reserved	–	–	–
0x30 + (CS_number * 0x04)	Chip Select Register	SPI_CSR	Read/Write	0x0
0x40–0x48	Reserved	–	–	–
0x4C–0xE0	Reserved	–	–	–
0xE4	Write Protection Mode Register	SPI_WPMR	Read/Write	0x0
0xE8	Write Protection Status Register	SPI_WPSR	Read-only	0x0
0xEC–0xF8	Reserved	–	–	–
0xFC	Reserved	–	–	–

SAMA5D3 SERIES

39.8.1 SPI Control Register

Name: SPI_CR

Address: 0xF0004000 (0), 0xF8008000 (1)

Access: Write-only

31	30	29	28	27	26	25	24
–	–	–	–	–	–	–	LASTXFER
23	22	21	20	19	18	17	16
–	–	–	–	–	–	–	–
15	14	13	12	11	10	9	8
–	–	–	–	–	–	–	–
7	6	5	4	3	2	1	0
SWRST	–	–	–	–	–	SPIDIS	SPIEN

SPIEN: SPI Enable

0: No effect.

1: Enables the SPI to transfer and receive data.

SPIDIS: SPI Disable

0: No effect.

1: Disables the SPI.

All pins are set in Input mode after completion of the transmission in progress, if any.

If a transfer is in progress when SPIDIS is set, the SPI completes the transmission of the shifter register and does not start any new transfer, even if the SPI_THR is loaded.

Note: If both SPIEN and SPIDIS are equal to one when the SPI_CR is written, the SPI is disabled.

SWRST: SPI Software Reset

0: No effect.

1: Reset the SPI. A software-triggered hardware reset of the SPI interface is performed.

The SPI is in Slave mode after software reset.

LASTXFER: Last Transfer

0: No effect.

1: The current NPCS is de-asserted after the character written in TD has been transferred. When SPI_CSRx.CSAAT is set, the communication with the current serial peripheral can be closed by raising the corresponding NPCS line as soon as TD transfer is completed.

Refer to [Section 39.7.3.5 Peripheral Selection](#) for more details.

39.8.2 SPI Mode Register

Name: SPI_MR

Address: 0xF0004004 (0), 0xF8008004 (1)

Access: Read/Write

31	30	29	28	27	26	25	24
DLYBCS							
23	22	21	20	19	18	17	16
–	–	–	–	PCS			
15	14	13	12	11	10	9	8
–	–	–	–	–	–	–	–
7	6	5	4	3	2	1	0
LLB	–	WDRBT	MODFDIS	–	PCSDEC	PS	MSTR

This register can only be written if the WPEN bit is cleared in the [SPI Write Protection Mode Register](#).

MSTR: Master/Slave Mode

0: SPI is in Slave mode

1: SPI is in Master mode

PS: Peripheral Select

0: Fixed Peripheral Select

1: Variable Peripheral Select

PCSDEC: Chip Select Decode

0: The chip select lines are directly connected to a peripheral device.

1: The four NPCS chip select lines are connected to a 4-bit to 16-bit decoder.

When PCSDEC = 1, up to 15 chip select signals can be generated with the four NPCS lines using an external 4-bit to 16-bit decoder. The chip select registers define the characteristics of the 15 chip selects, with the following rules:

SPI_CSR0 defines peripheral chip select signals 0 to 3.

SPI_CSR1 defines peripheral chip select signals 4 to 7.

SPI_CSR2 defines peripheral chip select signals 8 to 11.

SPI_CSR3 defines peripheral chip select signals 12 to 14.

MODFDIS: Mode Fault Detection

0: Mode fault detection enabled

1: Mode fault detection disabled

WDRBT: Wait Data Read Before Transfer

0: No Effect. In Master mode, a transfer can be initiated regardless of the SPI_RDR state.

1: In Master mode, a transfer can start only if the SPI_RDR is empty, i.e., does not contain any unread data. This mode prevents overrun error in reception.

LLB: Local Loopback Enable

0: Local loopback path disabled.

1: Local loopback path enabled.

LLB controls the local loopback on the data shift register for testing in Master mode only (MISO is internally connected on MOSI).

PCS: Peripheral Chip Select

This field is only used if fixed peripheral select is active (PS = 0).

If SPI_MR.PCSDEC = 0:

SAMA5D3 SERIES

PCS = xxx0NPCS[3:0] = 1110

PCS = xx01NPCS[3:0] = 1101

PCS = x011NPCS[3:0] = 1011

PCS = 0111NPCS[3:0] = 0111

PCS = 1111forbidden (no peripheral is selected)

(x = don't care)

If SPI_MR.PCSDEC = 1:

NPCS[3:0] output signals = PCS.

DLYBCS: Delay Between Chip Selects

This field defines the delay between the inactivation and the activation of NPCS. The DLYBCS time ensures non-overlapping chip selects and solves bus contentions in case of peripherals having long data float times.

If DLYBCS is lower than 6, six peripheral clock periods are inserted by default.

Otherwise, the following equation determines the delay:

:

$$\text{Delay Between Chip Selects} = \frac{\text{DLYBCS}}{f_{\text{peripheral clock}}}$$

39.8.3 SPI Receive Data Register

Name: SPI_RDR

Address: 0xF0004008 (0), 0xF8008008 (1)

Access: Read-only

31	30	29	28	27	26	25	24
–	–	–	–	–	–	–	–
23	22	21	20	19	18	17	16
–	–	–	–	PCS			
15	14	13	12	11	10	9	8
RD							
7	6	5	4	3	2	1	0
RD							

RD: Receive Data

Data received by the SPI Interface is stored in this register in a right-justified format. Unused bits are read as zero.

PCS: Peripheral Chip Select

In Master mode only, these bits indicate the value on the NPCS pins at the end of a transfer. Otherwise, these bits are read as zero.

Note: When using Variable Peripheral Select mode (PS = 1 in SPI_MR), it is mandatory to set the SPI_MR.WDRBT bit if the PCS field must be processed in SPI_RDR.

SAMA5D3 SERIES

39.8.4 SPI Transmit Data Register

Name: SPI_TDR

Address: 0xF000400C (0), 0xF800800C (1)

Access: Write-only

31	30	29	28	27	26	25	24
–	–	–	–	–	–	–	LASTXFER
23	22	21	20	19	18	17	16
–	–	–	–	PCS			
15	14	13	12	11	10	9	8
TD							
7	6	5	4	3	2	1	0
TD							

TD: Transmit Data

Data to be transmitted by the SPI Interface is stored in this register. Information to be transmitted must be written to the transmit data register in a right-justified format.

PCS: Peripheral Chip Select

This field is only used if variable peripheral select is active (PS = 1).

If SPI_MR.PCSDEC = 0:

PCS = xxx0NPCS[3:0] = 1110

PCS = xx01NPCS[3:0] = 1101

PCS = x011NPCS[3:0] = 1011

PCS = 0111NPCS[3:0] = 0111

PCS = 1111forbidden (no peripheral is selected)

(x = don't care)

If SPI_MR.PCSDEC = 1:

NPCS[3:0] output signals = PCS.

LASTXFER: Last Transfer

0: No effect

1: The current NPCS is de-asserted after the transfer of the character written in TD. When SPI_CSRx.CSAAT is set, the communication with the current serial peripheral can be closed by raising the corresponding NPCS line as soon as TD transfer is completed.

This field is only used if variable peripheral select is active (SPI_MR.PS = 1).

39.8.5 SPI Status Register

Name: SPI_SR

Address: 0xF0004010 (0), 0xF8008010 (1)

Access: Read-only

31	30	29	28	27	26	25	24
–	–	–	–	–	–	–	–
23	22	21	20	19	18	17	16
–	–	–	–	–	–	–	SPIENS
15	14	13	12	11	10	9	8
–	–	–	–	–	UNDES	TXEMPTY	NSSR
7	6	5	4	3	2	1	0
–	–	–	–	OVRES	MODF	TDRE	RDRF

RDRF: Receive Data Register Full (cleared by reading SPI_RDR)

0: No data has been received since the last read of SPI_RDR.

1: Data has been received and the received data has been transferred from the shift register to SPI_RDR since the last read of SPI_RDR.

TDRE: Transmit Data Register Empty (cleared by writing SPI_TDR)

0: Data has been written to SPI_TDR and not yet transferred to the shift register.

1: The last data written in the SPI_TDR has been transferred to the shift register.

TDRE equals zero when the SPI is disabled or at reset. The SPI enable command sets this bit to 1.

MODF: Mode Fault Error (cleared on read)

0: No mode fault has been detected since the last read of SPI_SR.

1: A mode fault occurred since the last read of SPI_SR.

OVRES: Overrun Error Status (cleared on read)

0: No overrun has been detected since the last read of SPI_SR.

1: An overrun has occurred since the last read of SPI_SR.

An overrun occurs when SPI_RDR is loaded at least twice from the shift register since the last read of the SPI_RDR.

NSSR: NSS Rising (cleared on read)

0: No rising edge detected on NSS pin since the last read of SPI_SR.

1: A rising edge occurred on NSS pin since the last read of SPI_SR.

TXEMPTY: Transmission Registers Empty (cleared by writing SPI_TDR)

0: As soon as data is written in SPI_TDR.

1: SPI_TDR and internal shift register are empty. If a transfer delay has been defined, TXEMPTY is set after the end of this delay.

UNDES: Underrun Error Status (Slave mode only) (cleared on read)

0: No underrun has been detected since the last read of SPI_SR.

1: A transfer starts whereas no data has been loaded in SPI_TDR.

SPIENS: SPI Enable Status

0: SPI is disabled.

1: SPI is enabled.

SAMA5D3 SERIES

39.8.6 SPI Interrupt Enable Register

Name: SPI_IER

Address: 0xF0004014 (0), 0xF8008014 (1)

Access: Write-only

31	30	29	28	27	26	25	24
–	–	–	–	–	–	–	–
23	22	21	20	19	18	17	16
–	–	–	–	–	–	–	–
15	14	13	12	11	10	9	8
–	–	–	–	–	UNDES	TXEMPTY	NSSR
7	6	5	4	3	2	1	0
–	–	–	–	OVRES	MODF	TDRE	RDRF

The following configuration values are valid for all listed bit names of this register:

0: No effect.

1: Enables the corresponding interrupt.

RDRF: Receive Data Register Full Interrupt Enable

TDRE: SPI Transmit Data Register Empty Interrupt Enable

MODF: Mode Fault Error Interrupt Enable

OVRES: Overrun Error Interrupt Enable

NSSR: NSS Rising Interrupt Enable

TXEMPTY: Transmission Registers Empty Enable

UNDES: Underrun Error Interrupt Enable

39.8.7 SPI Interrupt Disable Register

Name: SPI_IDR

Address: 0xF0004018 (0), 0xF8008018 (1)

Access: Write-only

31	30	29	28	27	26	25	24
–	–	–	–	–	–	–	–
23	22	21	20	19	18	17	16
–	–	–	–	–	–	–	–
15	14	13	12	11	10	9	8
–	–	–	–	–	UNDES	TXEMPTY	NSSR
7	6	5	4	3	2	1	0
–	–	–	–	OVRES	MODF	TDRE	RDRF

The following configuration values are valid for all listed bit names of this register:

0: No effect.

1: Disables the corresponding interrupt.

RDRF: Receive Data Register Full Interrupt Disable

TDRE: SPI Transmit Data Register Empty Interrupt Disable

MODF: Mode Fault Error Interrupt Disable

OVRES: Overrun Error Interrupt Disable

NSSR: NSS Rising Interrupt Disable

TXEMPTY: Transmission Registers Empty Disable

UNDES: Underrun Error Interrupt Disable

SAMA5D3 SERIES

39.8.8 SPI Interrupt Mask Register

Name: SPI_IMR

Address: 0xF000401C (0), 0xF800801C (1)

Access: Read-only

31	30	29	28	27	26	25	24
–	–	–	–	–	–	–	–
23	22	21	20	19	18	17	16
–	–	–	–	–	–	–	–
15	14	13	12	11	10	9	8
–	–	–	–	–	UNDES	TXEMPTY	NSSR
7	6	5	4	3	2	1	0
–	–	–	–	OVRES	MODF	TDRE	RDRF

The following configuration values are valid for all listed bit names of this register:

0: The corresponding interrupt is not enabled.

1: The corresponding interrupt is enabled.

RDRF: Receive Data Register Full Interrupt Mask

TDRE: SPI Transmit Data Register Empty Interrupt Mask

MODF: Mode Fault Error Interrupt Mask

OVRES: Overrun Error Interrupt Mask

NSSR: NSS Rising Interrupt Mask

TXEMPTY: Transmission Registers Empty Mask

UNDES: Underrun Error Interrupt Mask

39.8.9 SPI Chip Select Register

Name: SPI_CSRx [x=0..3]

Address: 0xF0004030 (0), 0xF8008030 (1)

Access: Read/Write

31	30	29	28	27	26	25	24
DLYBCT							
23	22	21	20	19	18	17	16
DLYBS							
15	14	13	12	11	10	9	8
SCBR							
7	6	5	4	3	2	1	0
BITS				CSAAT	CSNAAT	NCPHA	CPOL

This register can only be written if the WPEN bit is cleared in the [SPI Write Protection Mode Register](#).

Note: SPI_CSRx registers must be written even if the user wants to use the default reset values. The BITS field is not updated with the translated value unless the register is written.

CPOL: Clock Polarity

0: The inactive state value of SPCK is logic level zero.

1: The inactive state value of SPCK is logic level one.

CPOL is used to determine the inactive state value of the serial clock (SPCK). It is used with NCPHA to produce the required clock/data relationship between master and slave devices.

NCPHA: Clock Phase

0: Data is changed on the leading edge of SPCK and captured on the following edge of SPCK.

1: Data is captured on the leading edge of SPCK and changed on the following edge of SPCK.

NCPHA determines which edge of SPCK causes data to change and which edge causes data to be captured. NCPHA is used with CPOL to produce the required clock/data relationship between master and slave devices.

CSNAAT: Chip Select Not Active After Transfer (Ignored if CSAAT = 1)

0: The Peripheral Chip Select Line does not rise between two transfers if the SPI_TDR is reloaded before the end of the first transfer and if the two transfers occur on the same chip select.

1: The Peripheral Chip Select Line rises systematically after each transfer performed on the same slave. It remains inactive after the end of transfer for a minimal duration of:

$$\frac{DLYBCS}{f_{\text{peripheral clock}}} \quad (\text{If field DLYBCS is lower than 6, a minimum of six periods is introduced.})$$

CSAAT: Chip Select Active After Transfer

0: The Peripheral Chip Select Line rises as soon as the last transfer is achieved.

1: The Peripheral Chip Select Line does not rise after the last transfer is achieved. It remains active until a new transfer is requested on a different chip select.

BITS: Bits Per Transfer

(See the note below the register bitmap.)

SAMA5D3 SERIES

The BITS field determines the number of data bits transferred. Reserved values should not be used.

Value	Name	Description
0	8_BIT	8 bits for transfer
1	9_BIT	9 bits for transfer
2	10_BIT	10 bits for transfer
3	11_BIT	11 bits for transfer
4	12_BIT	12 bits for transfer
5	13_BIT	13 bits for transfer
6	14_BIT	14 bits for transfer
7	15_BIT	15 bits for transfer
8	16_BIT	16 bits for transfer
9	–	Reserved
10	–	Reserved
11	–	Reserved
12	–	Reserved
13	–	Reserved
14	–	Reserved
15	–	Reserved

SCBR: Serial Clock Bit Rate

In Master mode, the SPI Interface uses a modulus counter to derive the SPCK bit rate from the peripheral clock. The bit rate is selected by writing a value from 1 to 255 in the SCBR field. The following equation determines the SPCK bit rate:

$$\text{SCBR} = f_{\text{peripheral clock}} / \text{SPCK Bit Rate}$$

Programming the SCBR field to 0 is forbidden. Triggering a transfer while SCBR is at 0 can lead to unpredictable results.

If BRSRCCLK = 1 in SPI_MR, SCBR must be programmed with a value greater than 1.

At reset, SCBR is 0 and the user has to program it at a valid value before performing the first transfer.

Note: If one of the SCBR fields in SPI_CSRx is set to 1, the other SCBR fields in SPI_CSRx must be set to 1 as well, if they are used to process transfers. If they are not used to transfer data, they can be set at any value.

DLYBS: Delay Before SPCK

This field defines the delay from NPCS falling edge (activation) to the first valid SPCK transition.

When DLYBS = 0, the delay is half the SPCK clock period.

Otherwise, the following equation determines the delay:

$$\text{DLYBS} = \text{Delay Before SPCK} \times f_{\text{peripheral clock}}$$

DLYBCT: Delay Between Consecutive Transfers

This field defines the delay between two consecutive transfers with the same peripheral without removing the chip select. The delay is always inserted after each transfer and before removing the chip select if needed.

When DLYBCT = 0, no delay between consecutive transfers is inserted and the clock keeps its duty cycle over the character transfers.

Otherwise, the following equation determines the delay:

$$\text{DLYBCT} = \text{Delay Between Consecutive Transfers} \times f_{\text{peripheral clock}} / 32$$

39.8.10 SPI Write Protection Mode Register

Name: SPI_WPMR

Address: 0xF00040E4 (0), 0xF80080E4 (1)

Access: Read/Write.

31	30	29	28	27	26	25	24
WPKEY							
23	22	21	20	19	18	17	16
WPKEY							
15	14	13	12	11	10	9	8
WPKEY							
7	6	5	4	3	2	1	0
–	–	–	–	–	–	–	WPEN

WPEN: Write Protection Enable

0: Disables the write protection if WPKEY corresponds to 0x535049 (“SPI” in ASCII)

1: Enables the write protection if WPKEY corresponds to 0x535049 (“SPI” in ASCII)

See [Section 39.7.5 Register Write Protection](#) for the list of registers that can be write-protected.

WPKEY: Write Protection Key

Value	Name	Description
0x535049	PASSWD	Writing any other value in this field aborts the write operation of the WPEN bit. Always reads as 0.

SAMA5D3 SERIES

39.8.11 SPI Write Protection Status Register

Name: SPI_WPSR

Address: 0xF00040E8 (0), 0xF80080E8 (1)

Access: Read-only

31	30	29	28	27	26	25	24
–	–	–	–	–	–	–	–
23	22	21	20	19	18	17	16
–	–	–	–	–	–	–	–
15	14	13	12	11	10	9	8
WPVSR							
7	6	5	4	3	2	1	0
–	–	–	–	–	–	–	WPVS

WPVS: Write Protection Violation Status

0: No write protection violation has occurred since the last read of SPI_WPSR.

1: A write protection violation has occurred since the last read of SPI_WPSR. If this violation is an unauthorized attempt to write a protected register, the associated violation is reported into field WPVSR.

WPVSR: Write Protection Violation Source

When WPVS = 1, WPVSR indicates the register address offset at which a write access has been attempted.

40. Two-wire Interface (TWI)

40.1 Description

The Microchip Two-wire Interface (TWI) interconnects components on a unique two-wire bus, made up of one clock line and one data line with speeds of up to 400 Kbits per second, based on a byte-oriented transfer format. It can be used with any Microchip Two-wire Interface bus Serial EEPROM and I²C compatible device such as a Real Time Clock (RTC), Dot Matrix/Graphic LCD Controllers and temperature sensor. The TWI is programmable as a master or a slave with sequential or single-byte access. Multiple master capability is supported.

A configurable baud rate generator permits the output data rate to be adapted to a wide range of core clock frequencies.

Table 40-1 lists the compatibility level of the Microchip Two-wire Interface in Master mode and a full I²C compatible device.

Table 40-1: TWI Compatibility with I²C Standard

I ² C Standard	Microchip TWI
Standard Mode Speed (100 kHz)	Supported
Fast Mode Speed (400 kHz)	Supported
7- or 10-bit Slave Addressing	Supported
START byte ⁽¹⁾	Not Supported
Repeated Start (Sr) Condition	Supported
ACK and NACK Management	Supported
Slope Control and Input Filtering (Fast mode)	Not Supported
Clock Stretching/Synchronization	Supported
Multi Master Capability	Supported

Note 1: START + b000000001 + Ack + Sr

40.2 Embedded Characteristics

- Compatible with Microchip Two-wire Interface Serial Memory and I²C Compatible Devices⁽¹⁾
- One, Two or Three Bytes for Slave Address
- Sequential Read/Write Operations
- Master, Multi-master and Slave Mode Operation
- Bit Rate: Up to 400 Kbit/s
- General Call Supported in Slave Mode
- SMBus Quick Command Supported in Master Mode
- Connection to DMA Controller (DMA) Channel Capabilities Optimizes Data Transfers
- Register Write Protection

Note 1: See Table 40-1 for details on compatibility with I²C Standard.

SAMA5D3 SERIES

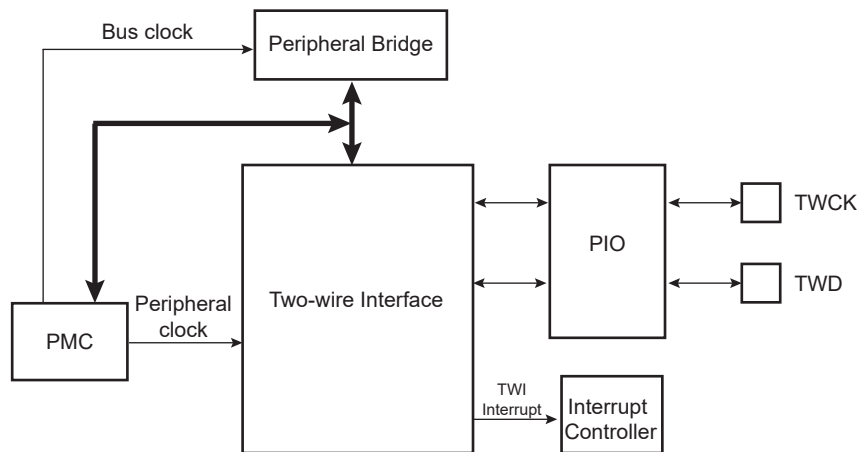
40.3 List of Abbreviations

Table 40-2: Abbreviations

Abbreviation	Description
TWI	Two-wire Interface
A	Acknowledge
NA	Non Acknowledge
P	Stop
S	Start
Sr	Repeated Start
SADR	Slave Address
ADR	Any address except SADR
R	Read
W	Write

40.4 Block Diagram

Figure 40-1: Block Diagram



40.5 I/O Lines Description

Table 40-3: I/O Lines Description

Name	Description	Type
TWD	Two-wire Serial Data (drives external serial data line – SDA)	Input/Output
TWCK	Two-wire Serial Clock (drives external serial clock line – SCL)	Input/Output

40.6 Product Dependencies

40.6.1 I/O Lines

Both TWD and TWCK are bidirectional lines, connected to a positive supply voltage via a current source or pull-up resistor. When the bus is free, both lines are high. The output stages of devices connected to the bus must have an open-drain or open-collector to perform the wired-AND function.

TWD and TWCK pins may be multiplexed with PIO lines. To enable the TWI, the user must program the PIO Controller to dedicate TWD and TWCK as peripheral lines.

The user must not program TWD and TWCK as open-drain. This is already done by the hardware.

Table 40-4: I/O Lines

Instance	Signal	I/O Line	Peripheral
TWI0	TWCK0	PA31	A
TWI0	TWD0	PA30	A
TWI1	TWCK1	PC27	B
TWI1	TWD1	PC26	B
TWI2	TWCK2	PA19	B
TWI2	TWD2	PA18	B

40.6.2 Power Management

The TWI may be clocked through the Power Management Controller (PMC), thus the user must first configure the PMC to enable the TWI clock.

40.6.3 Interrupt Sources

The TWI has an interrupt line connected to the Interrupt Controller. In order to handle interrupts, the Interrupt Controller must be programmed before configuring the TWI.

Table 40-5: Peripheral IDs

Instance	ID
TWI0	18
TWI1	19
TWI2	20

SAMA5D3 SERIES

40.7 Functional Description

40.7.1 Transfer Format

The data put on the TWD line must be 8 bits long. Data is transferred MSB first; each byte must be followed by an acknowledgement. The number of bytes per transfer is unlimited (see [Figure 40-3](#)).

Each transfer begins with a START condition and terminates with a STOP condition (see [Figure 40-2](#)).

- A high-to-low transition on the TWD line while TWCK is high defines the START condition.
- A low-to-high transition on the TWD line while TWCK is high defines the STOP condition.

Figure 40-2: START and STOP Conditions

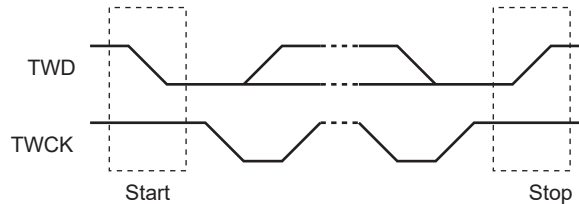
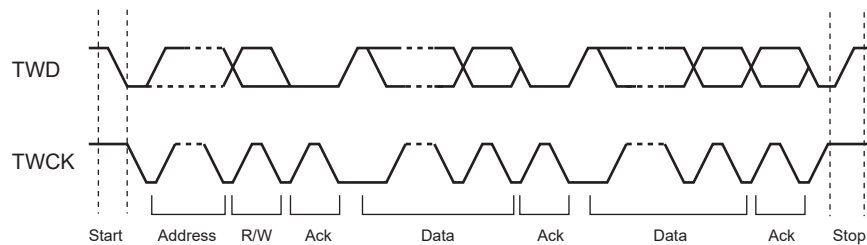


Figure 40-3: Transfer Format



40.7.2 Modes of Operation

The TWI has different modes of operations:

- Master transmitter mode
- Master receiver mode
- Multi-master transmitter mode
- Multi-master receiver mode
- Slave transmitter mode
- Slave receiver mode

These modes are described in the following sections.

40.7.3 Master Mode

40.7.3.1 Definition

The master is the device that starts a transfer, generates a clock and stops it.

40.7.3.2 Programming Master Mode

The following fields must be programmed before entering Master mode:

1. TWI_MMR.DADR (+ IADRSZ + IADR if a 10-bit device is addressed): The device address is used to access slave devices in Read or Write mode.
2. TWI_CWGR.CKDIV + CHDIV + CLDIV: Clock waveform.
3. TWI_CR.SVDIS: Disables the Slave mode
4. TWI_CR.MSEN: Enables the Master mode

Note: If the TWI is already in Master mode, the device address (DADR) can be configured without disabling the Master mode.

40.7.3.3 Master Transmitter Mode

After the master initiates a START condition when writing into the Transmit Holding register (TWI_THR), it sends a 7-bit slave address, configured in the Master Mode register (DADR in TWI_MMR), to notify the slave device. The bit following the slave address indicates the transfer direction—0 in this case (MREAD = 0 in TWI_MMR).

The TWI transfers require the slave to acknowledge each received byte. During the acknowledge clock pulse (9th pulse), the master releases the data line (HIGH), enabling the slave to pull it down in order to generate the acknowledge. If the slave does not acknowledge the byte, then the Not Acknowledge flag (NACK) is set in the TWI Status Register (TWI_SR) of the master and a STOP condition is sent. The NACK flag must be cleared by reading the TWI Status Register (TWI_SR) before the next write into the TWI Transmit Holding Register (TWI_THR). As with the other status bits, an interrupt can be generated if enabled in the Interrupt Enable register (TWI_IER). If the slave acknowledges the byte, the data written in the TWI_THR is then shifted in the internal shifter and transferred. When an acknowledge is detected, the TXRDY bit is set until a new write in the TWI_THR.

While no new data is written in the TWI_THR, the serial clock line (SCL) is tied low. When new data is written in the TWI_THR, the TWCK/SCL is released and the data is sent. Setting the STOP bit in TWI_CR generates a STOP condition.

After a master write transfer, the SCL is stretched (tied low) as long as no new data is written in the TWI_THR or until a STOP command is performed. See [Figure 40-4](#), [Figure 40-5](#), and [Figure 40-6](#).

To clear the TXRDY flag, first set the bit TWI_CR.MSDIS, then set the bit TWI_CR.MSEN.

Figure 40-4: Master Write with One Data Byte

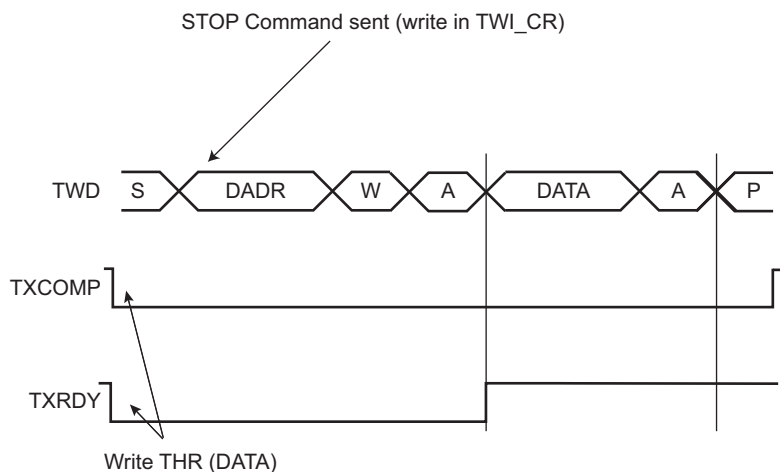


Figure 40-5: Master Write with Multiple Data Bytes

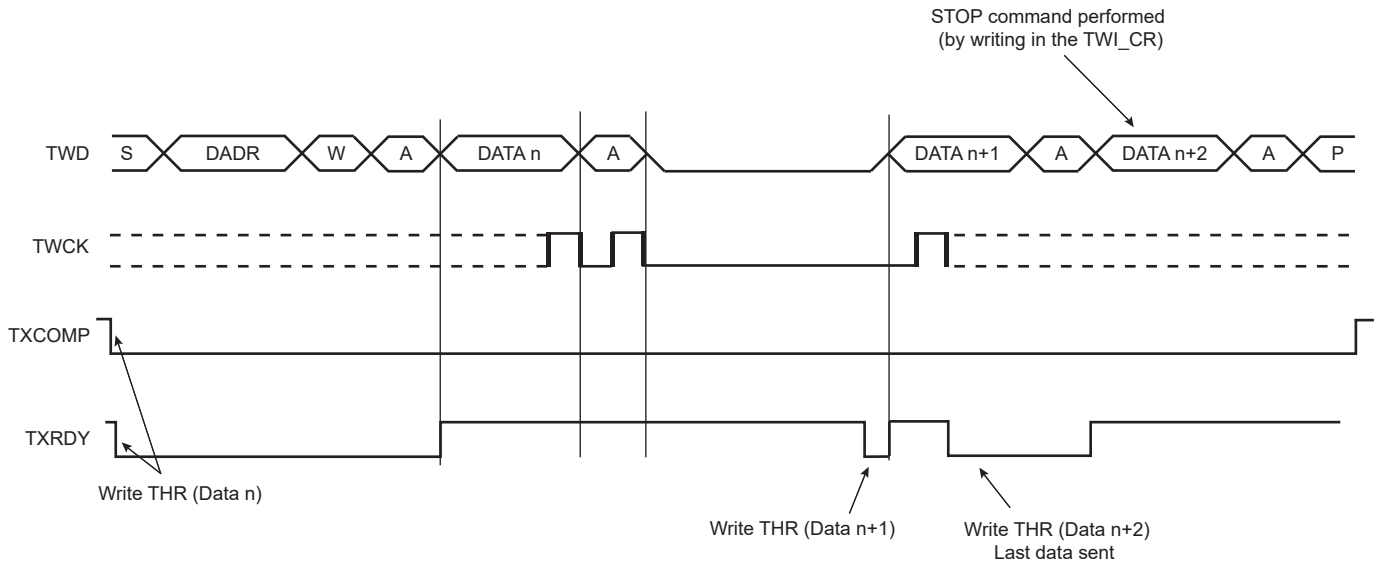
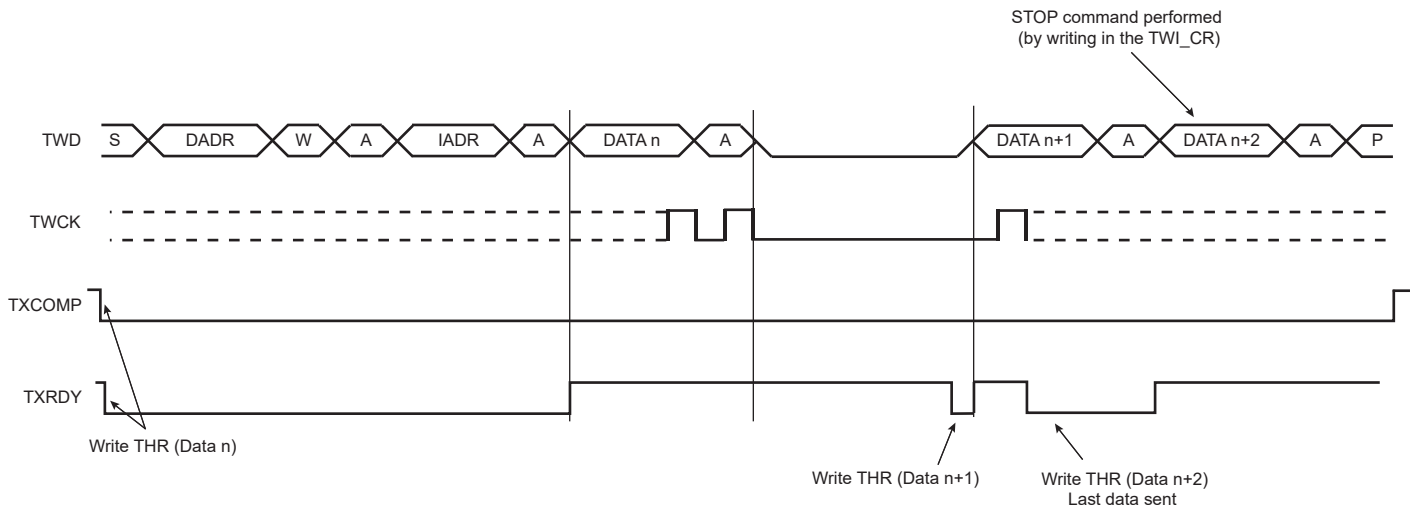


Figure 40-6: Master Write with One Byte Internal Address and Multiple Data Bytes



40.7.3.4 Master Receiver Mode

The read sequence begins by setting the START bit. After the START condition has been sent, the master sends a 7-bit slave address to notify the slave device. The bit following the slave address indicates the transfer direction—1 in this case (MREAD = 1 in TWI_MMR). During the acknowledge clock pulse (9th pulse), the master releases the data line (HIGH), enabling the slave to pull it down in order to generate the acknowledge. The master polls the data line during this clock pulse and sets the NACK bit in the TWI_SR if the slave does not acknowledge the byte.

If an acknowledge is received, the master is then ready to receive data from the slave. After data has been received, the master sends an acknowledge condition to notify the slave that the data has been received except for the last data. See Figure 40-7. When the RXRDY bit is set in the TWI_SR, a character has been received in the Receive Holding Register (TWI_RHR). The RXRDY bit is reset when reading the TWI_RHR.

When a single data byte read is performed, with or without internal address (IADR), the START and STOP bits must be set at the same time. See Figure 40-7. When a multiple data byte read is performed, with or without internal address (IADR), the STOP bit must be set after the next-to-last data received. See Figure 40-8. For internal address usage, see Section 40.7.3.5 Internal Address.

If the Receive Holding Register (TWI_RHR) is full (RXRDY high) and the master is receiving data, the serial clock line is tied low before receiving the last bit of the data and until the TWI_RHR is read. Once the TWI_RHR is read, the master stops stretching the serial clock line and ends the data reception. See [Figure 40-9](#).

Warning: When receiving multiple bytes in Master read mode, if the next-to-last access is not read (the RXRDY flag remains high), the last access is not completed until TWI_RHR is read. The last access stops on the next-to-last bit. When the TWI_RHR is read, the STOP bit command must be sent within a period of half a bit only, otherwise another read access might occur (spurious access).

A possible workaround is to set the STOP bit before reading the TWI_RHR on the next-to-last access (within the interrupt handler).

Figure 40-7: Master Read with One Data Byte

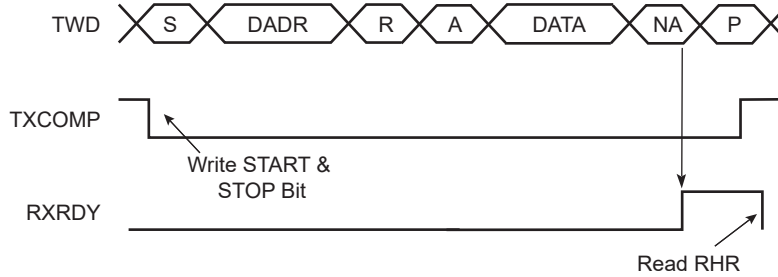
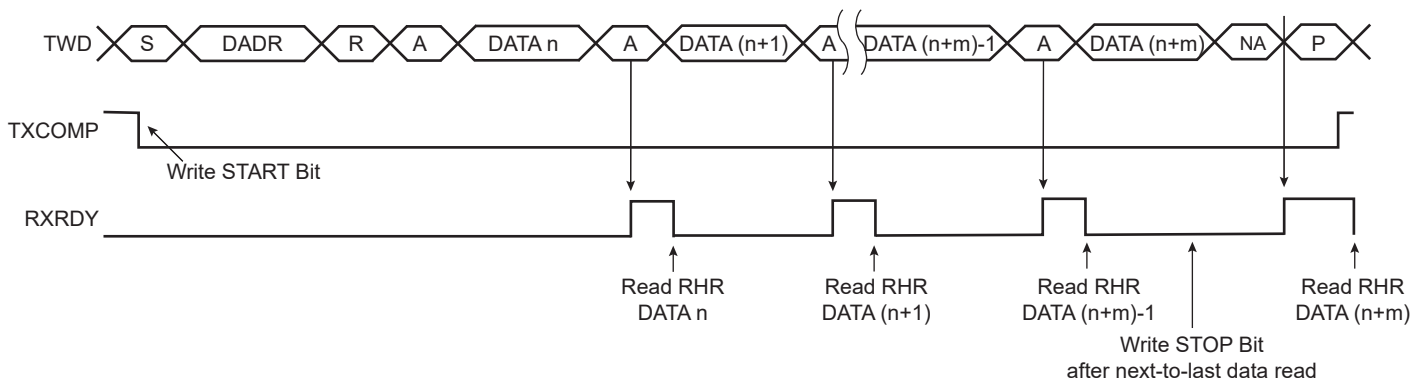
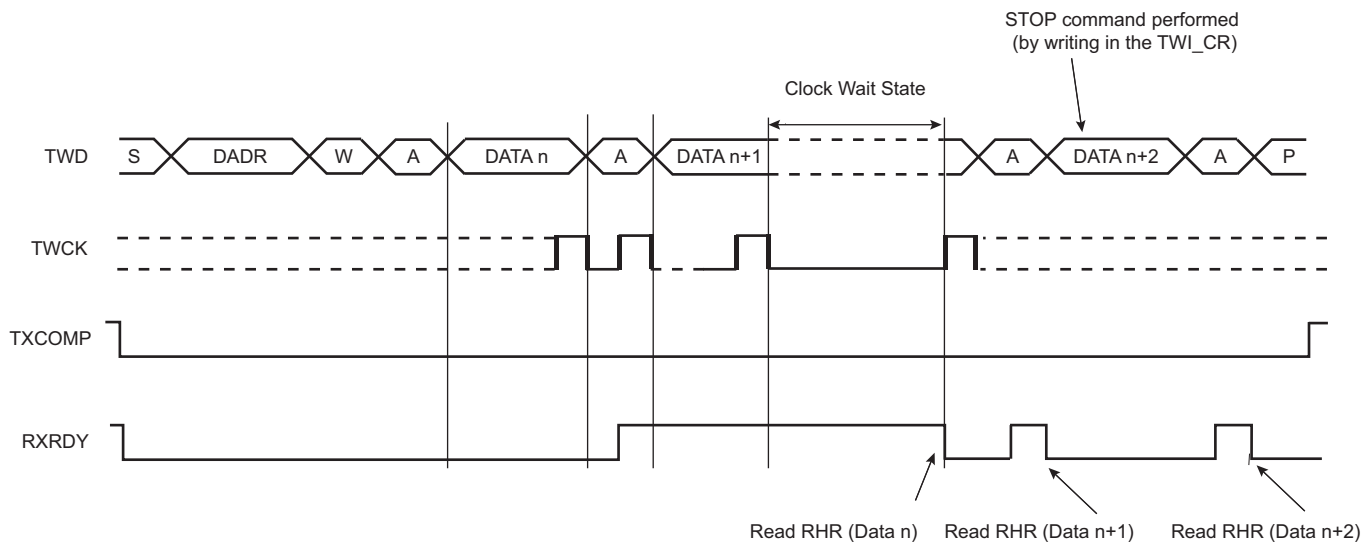


Figure 40-8: Master Read with Multiple Data Bytes



SAMA5D3 SERIES

Figure 40-9: Master Read Wait State with Multiple Data Bytes



40.7.3.5 Internal Address

The TWI can perform transfers with 7-bit slave address devices and 10-bit slave address devices.

- 7-bit Slave Addressing

When addressing 7-bit slave devices, the internal address bytes are used to perform random address (read or write) accesses to reach one or more data bytes, e.g. within a memory page location in a serial memory. When performing read operations with an internal address, the TWI performs a write operation to set the internal address into the slave device, and then switch to Master receiver mode. Note that the second START condition (after sending the IADR) is sometimes called “repeated start” (Sr) in I²C fully-compatible devices. See [Figure 40-11](#). See [Figure 40-10](#) and [Figure 40-12](#) for master write operation with internal address.

The three internal address bytes are configurable through the Master Mode register (TWI_MMR).

If the slave device supports only a 7-bit address, i.e., no internal address, IADRSZ must be set to 0.

[Table 40-6](#) shows the abbreviations used in [Figure 40-10](#) and [Figure 40-11](#).

Table 40-6: Abbreviations

Abbreviation	Definition
S	Start
Sr	Repeated Start
P	Stop
W	Write
R	Read
A	Acknowledge
NA	Not Acknowledge
DADR	Device Address
IADR	Internal Address

Figure 40-10: Master Write with One, Two or Three Bytes Internal Address and One Data Byte

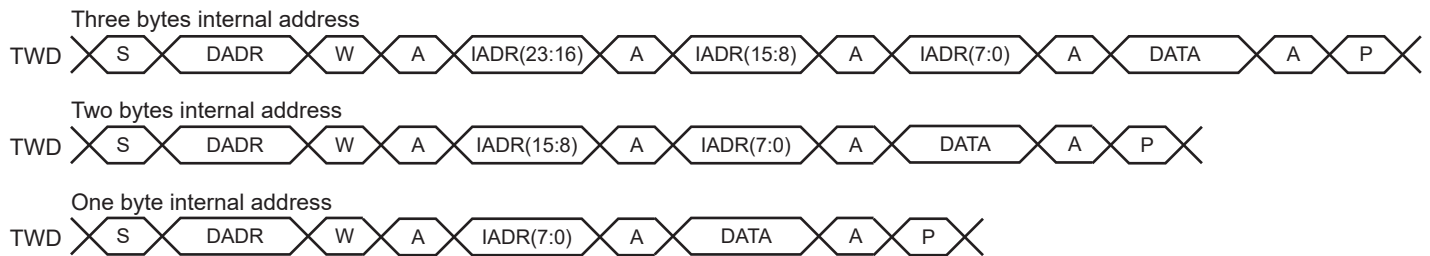
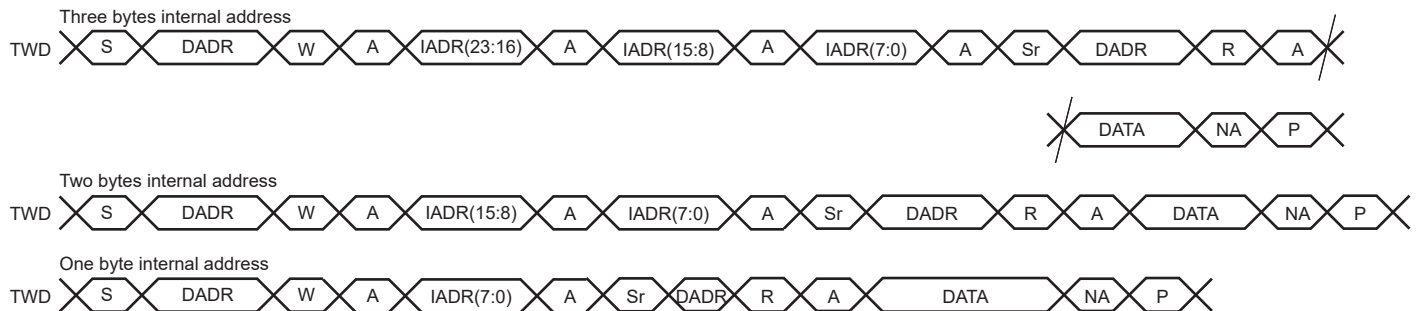


Figure 40-11: Master Read with One, Two or Three Bytes Internal Address and One Data Byte



• 10-bit Slave Addressing

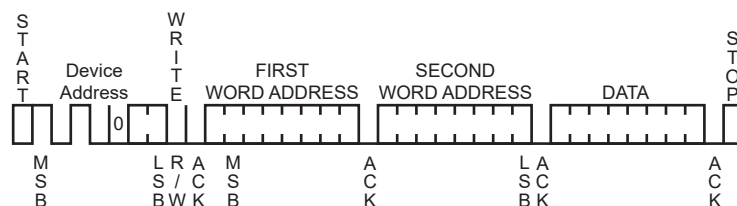
For a slave address higher than seven bits, the user must configure the address size (IADRSZ) and set the other slave address bits in the Internal Address register (TWI_IADR). The two remaining internal address bytes, IADR[15:8] and IADR[23:16] can be used the same way as in 7-bit slave addressing.

Example: Address a 10-bit device (10-bit device address is b1 b2 b3 b4 b5 b6 b7 b8 b9 b10)

1. Program IADRSZ = 1,
2. Program DADR with 1 1 1 1 0 b1 b2 (b1 is the MSB of the 10-bit address, b2, etc.)
3. Program TWI_IADR with b3 b4 b5 b6 b7 b8 b9 b10 (b10 is the LSB of the 10-bit address)

Figure 40-12 below shows a byte write to a memory device. This demonstrates the use of internal addresses to access the device.

Figure 40-12: Internal Address Usage



40.7.3.6 Using the DMA Controller

The use of the DMA significantly reduces the CPU load.

To ensure correct implementation, proceed as follows.

- Data Transmit with the DMA
 1. Initialize the DMA (channels, memory pointers, size -1, etc.).
 2. Configure the Master mode (DADR, CKDIV, etc.) or Slave mode.
 3. Enable the DMA.
 4. Wait for the DMA buffer transfer complete flag.
 5. Disable the DMA.
 6. Wait for the TXRDY flag in TWI_SR.
 7. Set the STOP bit in TWI_CR.

SAMA5D3 SERIES

8. Write the last character in TWI_THR.
9. (Only if peripheral clock must be disabled) Wait for the TXCOMP flag to be raised in TWI_SR.
 - Data Receive with the DMA

The DMA transfer size must be defined with the buffer size minus 2. The two remaining characters must be managed without DMA to ensure that the exact number of bytes are received whatever the system bus latency conditions encountered during the end of buffer transfer period.

In Slave mode, the number of characters to receive must be known in order to configure the DMA.

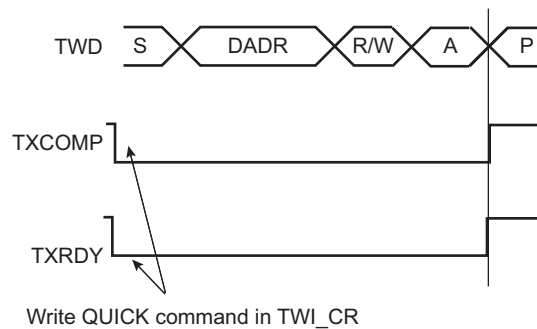
1. Initialize the DMA (channels, memory pointers, size -2, etc.);
2. Configure the Master mode (DADR, CKDIV, etc.) or Slave mode.
3. Enable the DMA.
4. (Master Only) Write the START bit in the TWI_CR to start the transfer.
5. Wait for the DMA buffer transfer complete flag.
6. Disable the DMA.
7. Wait for the RXRDY flag in the TWI_SR.
8. Set the STOP bit in TWI_CR.
9. Read the penultimate character in TWI_RHR.
10. Wait for the RXRDY flag in the TWI_SR.
11. Read the last character in TWI_RHR.
12. (Only if peripheral clock must be disabled) Wait for the TXCOMP flag to be raised in TWI_SR.

40.7.3.7 SMBus Quick Command (Master Mode Only)

The TWI can perform a quick command:

1. Configure the Master mode (DADR, CKDIV, etc.).
2. Write the MREAD bit in the TWI_MMR at the value of the one-bit command to be sent.
3. Start the transfer by setting the QUICK bit in the TWI_CR.

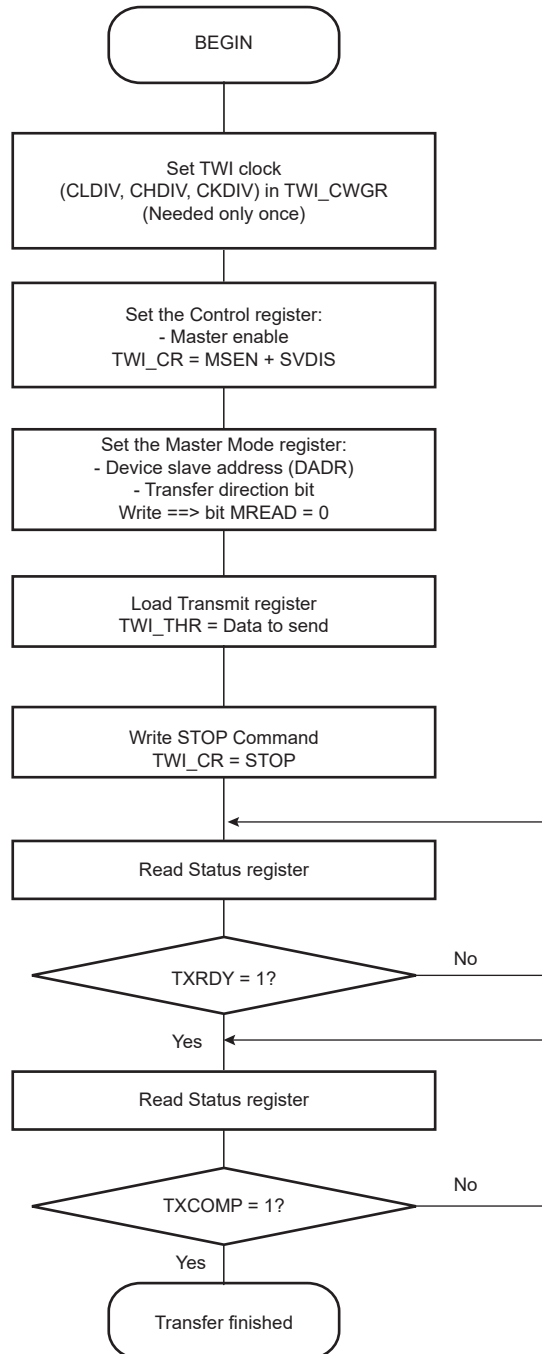
Figure 40-13: SMBus Quick Command



40.7.3.8 Read/Write Flowcharts

The flowcharts in the following figures provide examples of read and write operations. A polling or interrupt method can be used to check the status bits. The interrupt method requires that the Interrupt Enable Register (TWI_IER) be configured first.

Figure 40-14: TWI Write Operation with Single Data Byte without Internal Address



SAMA5D3 SERIES

Figure 40-15: TWI Write Operation with Single Data Byte and Internal Address

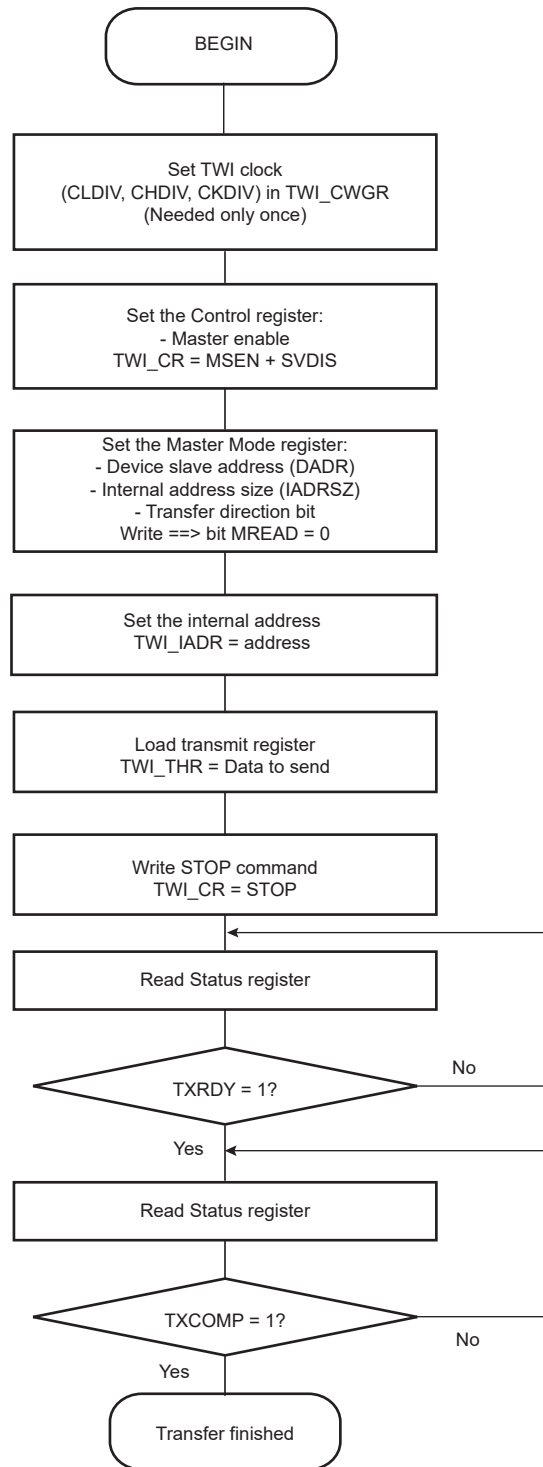
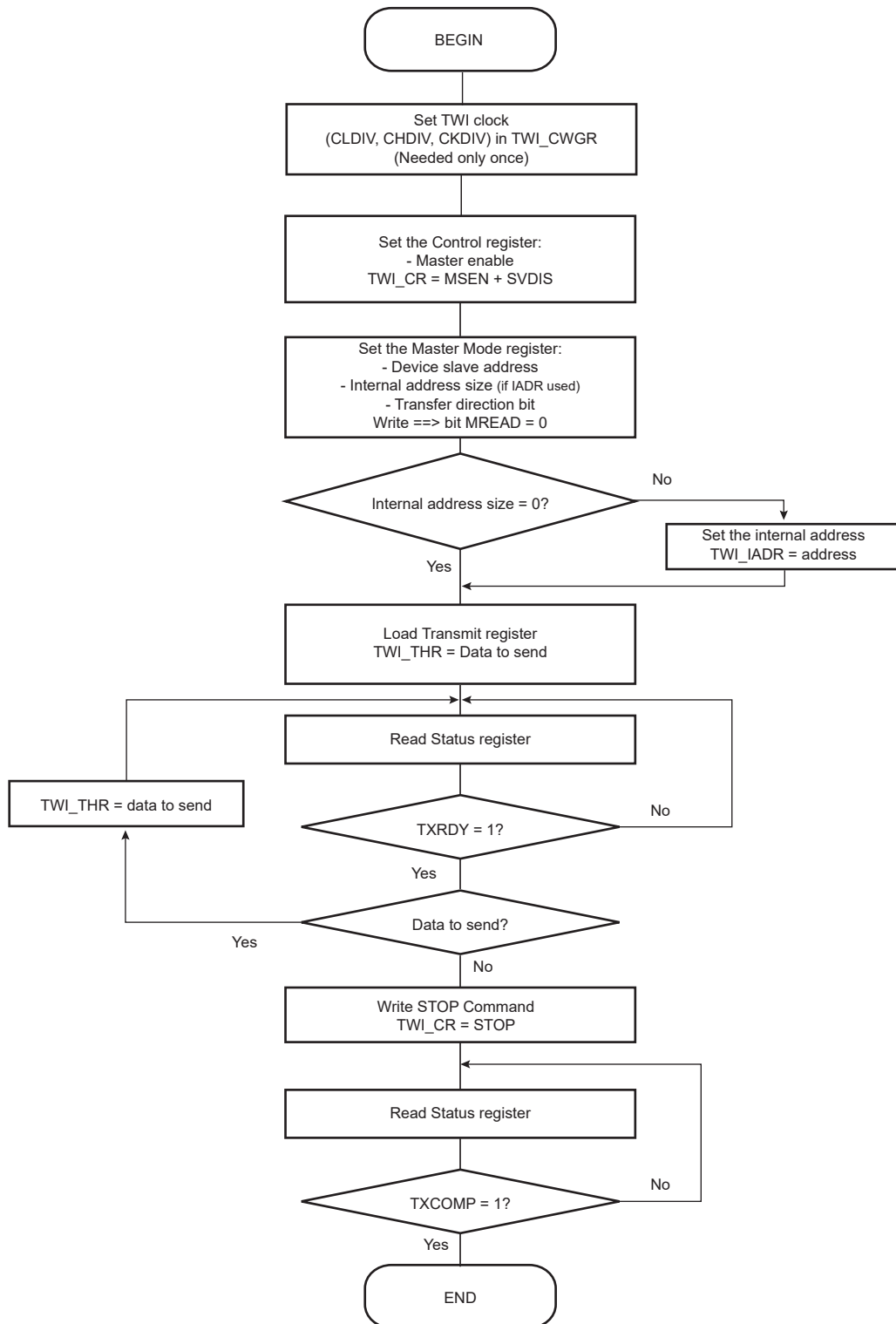


Figure 40-16: TWI Write Operation with Multiple Data Bytes with or without Internal Address



SAMA5D3 SERIES

Figure 40-17: TWI Read Operation with Single Data Byte without Internal Address

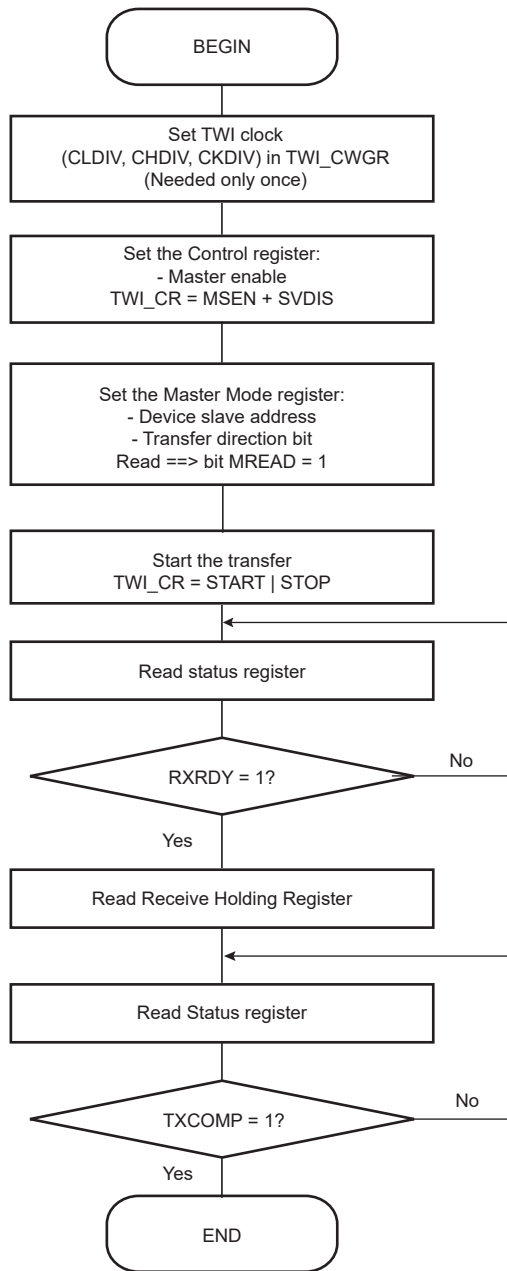
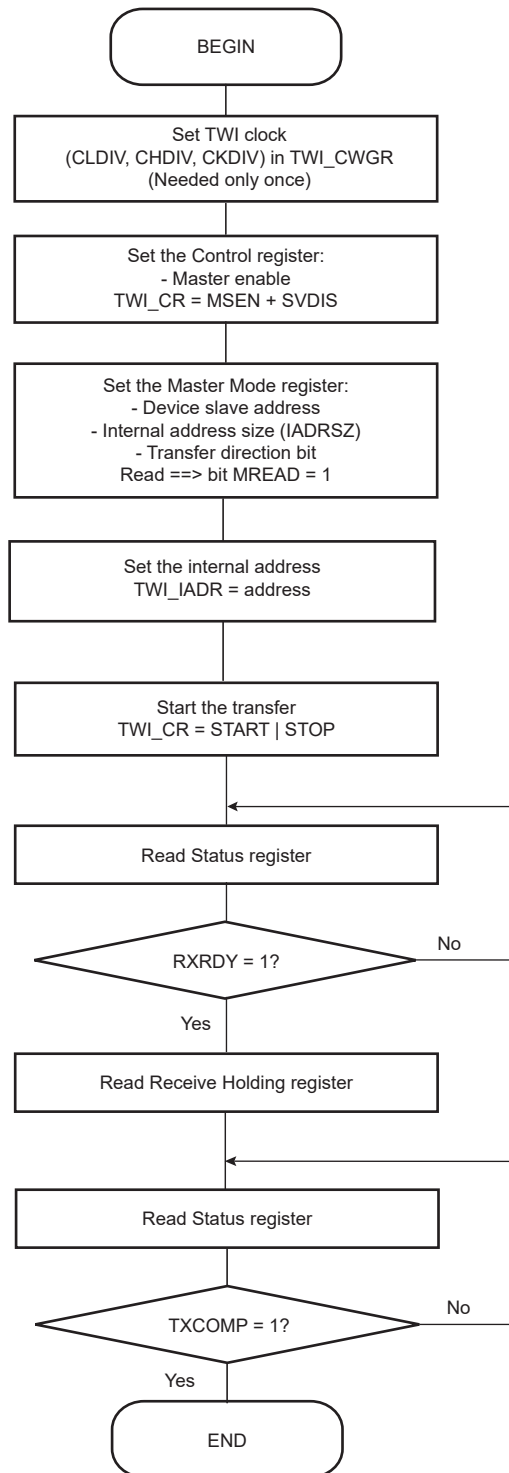
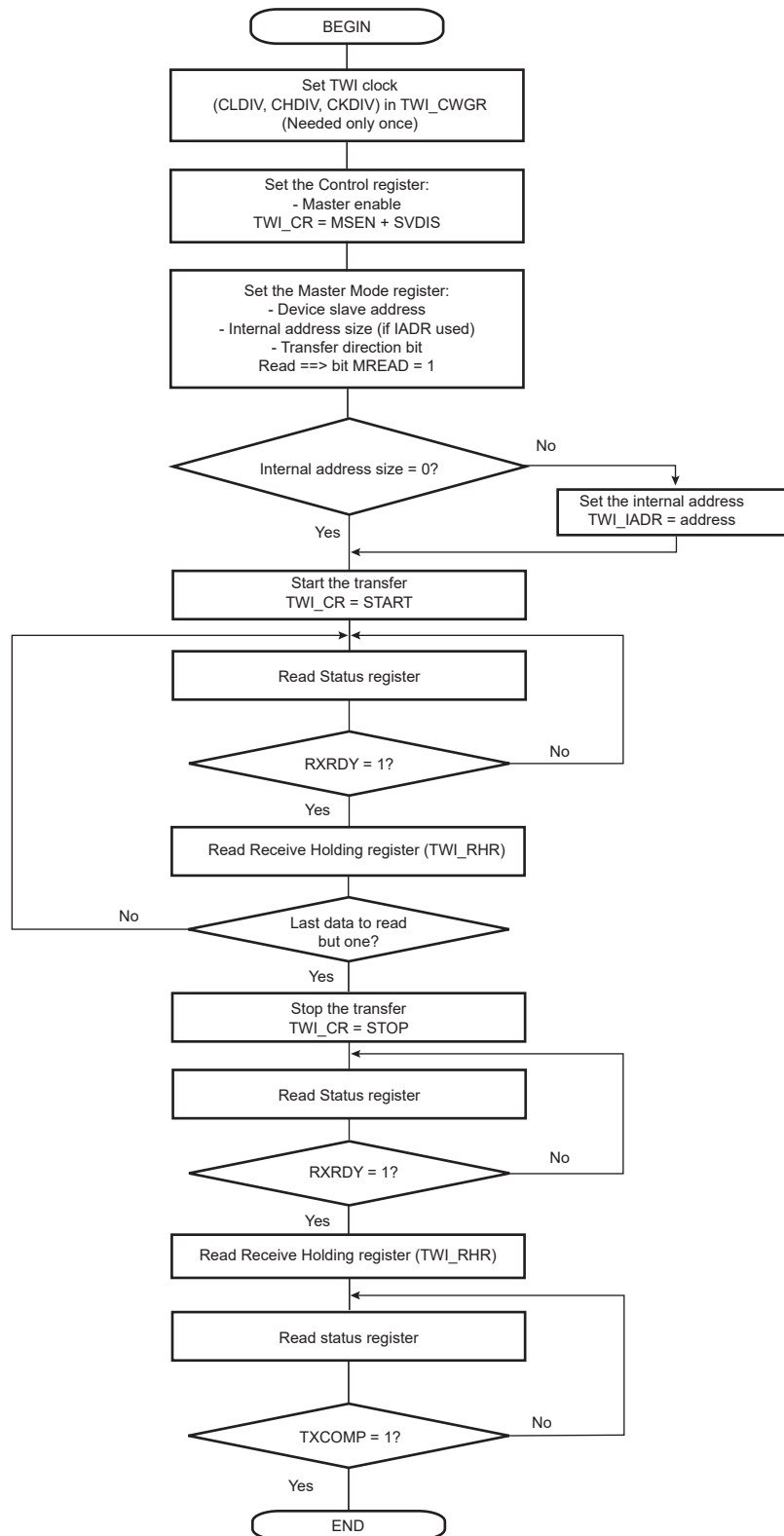


Figure 40-18: TWI Read Operation with Single Data Byte and Internal Address



SAMA5D3 SERIES

Figure 40-19: TWI Read Operation with Multiple Data Bytes with or without Internal Address



40.7.4 Multi-master Mode

40.7.4.1 Definition

In Multi-master mode, more than one master may handle the bus at the same time without data corruption by using arbitration.

Arbitration starts as soon as two or more masters place information on the bus at the same time, and stops (arbitration is lost) for the master that intends to send a logical one while the other master sends a logical zero.

As soon as a master loses arbitration, it stops sending data and listens to the bus in order to detect a stop. When the stop is detected, the master may put its data on the bus by performing arbitration.

Arbitration is illustrated in [Figure 40-21](#).

40.7.4.2 Two Multi-master Modes

Two Multi-master modes may be distinguished:

1. TWI is considered as a master only and will never be addressed.
2. TWI may be either a master or a slave and may be addressed.

Note: Arbitration is supported in both Multi-master modes.

- TWI as Master Only

In this mode, TWI is considered as a Master only (MSEN is always one) and must be driven like a Master with the ARBLST (Arbitration Lost) flag in addition.

If arbitration is lost (ARBLST = 1), the user must reinitiate the data transfer.

If the user starts a transfer (ex.: DADR + START + W + Write in THR) and if the bus is busy, the TWI automatically waits for a STOP condition on the bus to initiate the transfer (see [Figure 40-20](#)).

Note: The state of the bus (busy or free) is not shown in the user interface.

- TWI as Master or Slave

The automatic reversal from Master to Slave is not supported in case of a lost arbitration.

Then, in the case where TWI may be either a Master or a Slave, the user must manage the pseudo Multi-master mode described in the steps below.

1. Program TWI in Slave mode (SADR + MSDIS + SVEN) and perform a slave access (if TWI is addressed).
2. If the TWI has to be set in Master mode, wait until the TXCOMP flag is at 1.
3. Program the Master mode (DADR + SVDIS + MSEN) and start the transfer (ex: START + Write in THR).
4. As soon as the Master mode is enabled, the TWI scans the bus in order to detect if it is busy or free. When the bus is considered free, TWI initiates the transfer.
5. As soon as the transfer is initiated and until a STOP condition is sent, the arbitration becomes relevant and the user must monitor the ARBLST flag.
6. If the arbitration is lost (ARBLST is set to 1), the user must program the TWI in Slave mode in case the Master that won the arbitration is required to access the TWI.
7. If the TWI has to be set in Slave mode, wait until TXCOMP flag is at 1 and then program the Slave mode.

Note: If the arbitration is lost and the TWI is addressed, the TWI will not acknowledge even if it is programmed in Slave mode as soon as ARBLST is set to 1. Then the Master must repeat SADR.

SAMA5D3 SERIES

Figure 40-20: Programmer Sends Data While the Bus is Busy

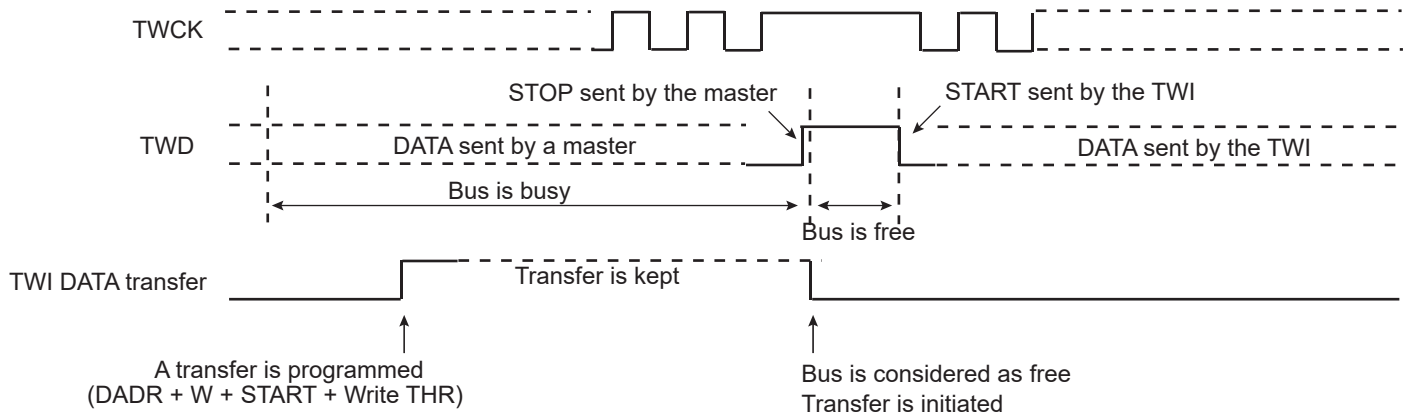
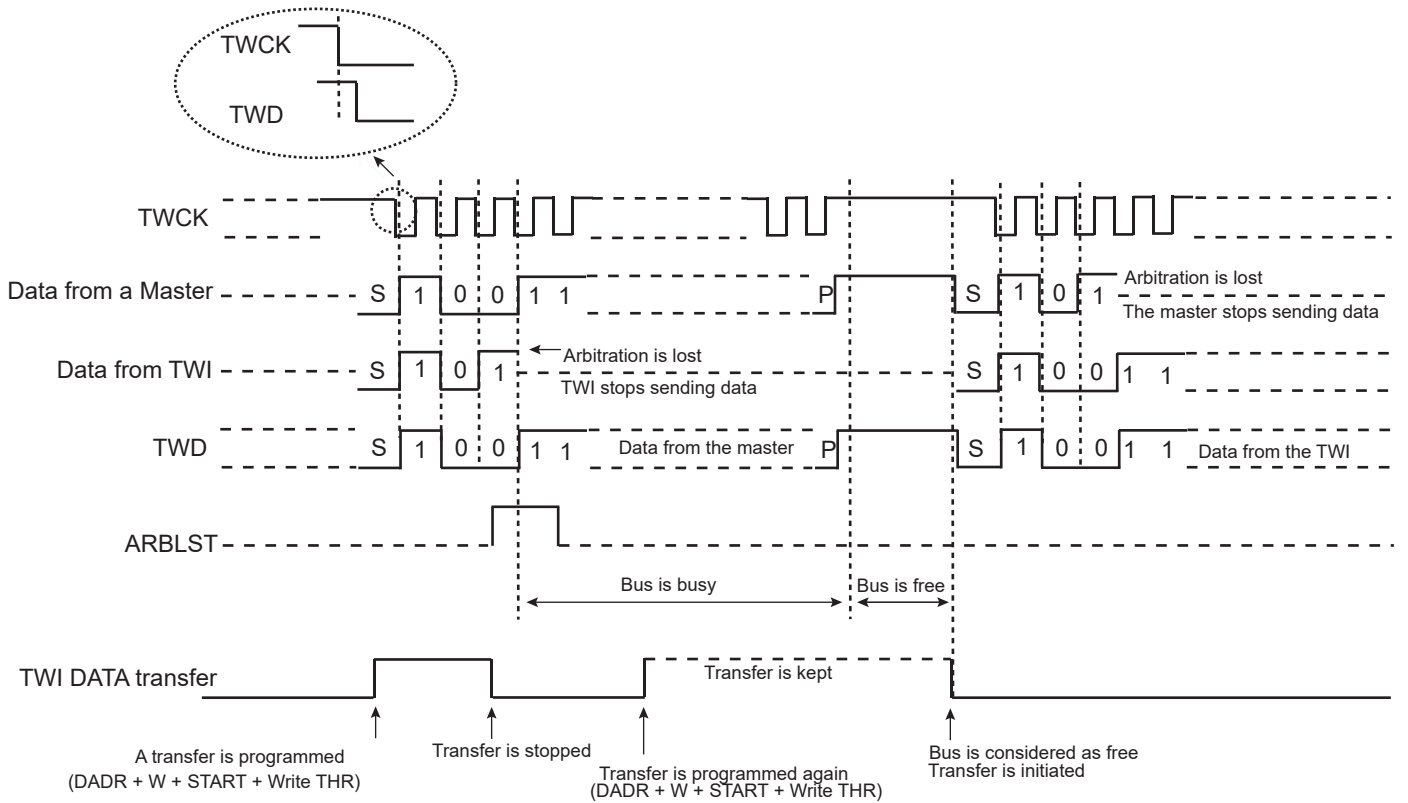
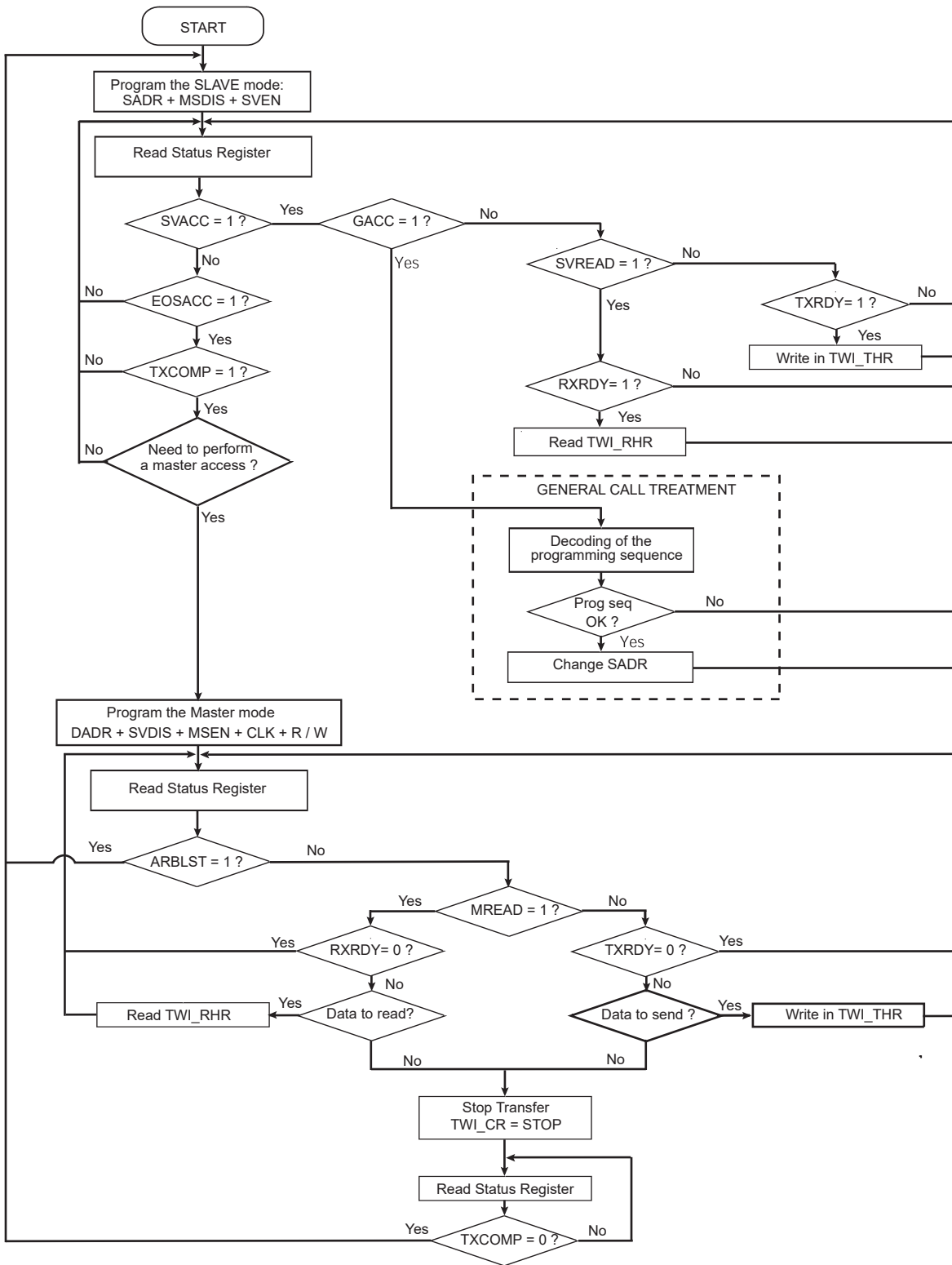


Figure 40-21: Arbitration Cases



The flowchart shown in [Figure 40-22](#) gives an example of read and write operations in Multi-master mode.

Figure 40-22: Multi-master Flowchart



SAMA5D3 SERIES

40.7.5 Slave Mode

40.7.5.1 Definition

Slave mode is defined as a mode where the device receives the clock and the address from another device called the master.

In this mode, the device never initiates and never completes the transmission (START, REPEATED START and STOP conditions are always provided by the master).

40.7.5.2 Programming Slave Mode

The following fields must be programmed before entering Slave mode:

1. TWI_SMR.SADR: The slave device address is used in order to be accessed by master devices in Read or Write mode.
2. TWI_CR.MSDIS: Disables the Master mode.
3. TWI_CR.SVEN: Enables the Slave mode.

As the device receives the clock, values written in TWI_CWGR are ignored.

40.7.5.3 Receiving Data

After a START or REPEATED START condition is detected and if the address sent by the Master matches with the Slave address programmed in the SADR (Slave Address) field, SVACC (Slave Access) flag is set and SVREAD (Slave Read) indicates the direction of the transfer.

SVACC remains high until a STOP condition or a repeated START is detected. When such a condition is detected, the EOSACC (End Of Slave Access) flag is set.

- Read Sequence

In the case of a read sequence (SVREAD is high), TWI transfers data written in TWI_THR (TWI Transmit Holding Register) until a STOP condition or a REPEATED_START and an address different from SADR is detected. Note that at the end of the read sequence TXCOMP (Transmission Complete) flag is set and SVACC reset.

As soon as data is written in TWI_THR, the TXRDY (Transmit Holding Register Ready) flag is reset, and it is set when the internal shifter is empty and the sent data acknowledged or not. If the data is not acknowledged, the NACK flag is set.

Note that a STOP or a REPEATED START always follows a NACK.

To clear the TXRDY flag, first set the bit TWI_CR.SVDIS, then set the bit TWI_CR.SVEN.

See [Figure 40-23](#).

- Write Sequence

In the case of a write sequence (SVREAD is low), the RXRDY (Receive Holding Register Ready) flag is set as soon as a character has been received in the TWI_RHR (TWI Receive Holding Register). RXRDY is reset when reading the TWI_RHR.

TWI continues receiving data until a STOP condition or a REPEATED_START + an address different from SADR is detected. Note that at the end of the write sequence TXCOMP flag is set and SVACC reset.

See [Figure 40-24](#).

- Clock Synchronization Sequence

If TWI_RHR is not read in time, the TWI performs a clock synchronization.

Clock synchronization information is given by the bit SCLWS (Clock Wait State).

See [Figure 40-27](#).

- Clock Stretching Sequence

If TWI_THR is not written in time, the TWI performs a clock stretching.

Clock stretching information is given by the bit SCLWS (Clock Wait State).

See [Figure 40-26](#).

- General Call

In the case where a GENERAL CALL is performed, the GACC (General Call Access) flag is set.

After GACC is set, the user must interpret the meaning of the GENERAL CALL and decode the new address programming sequence.

See [Figure 40-25](#).

40.7.5.4 Data Transfer

• Read Operation

The Read mode is defined as a data requirement from the master.

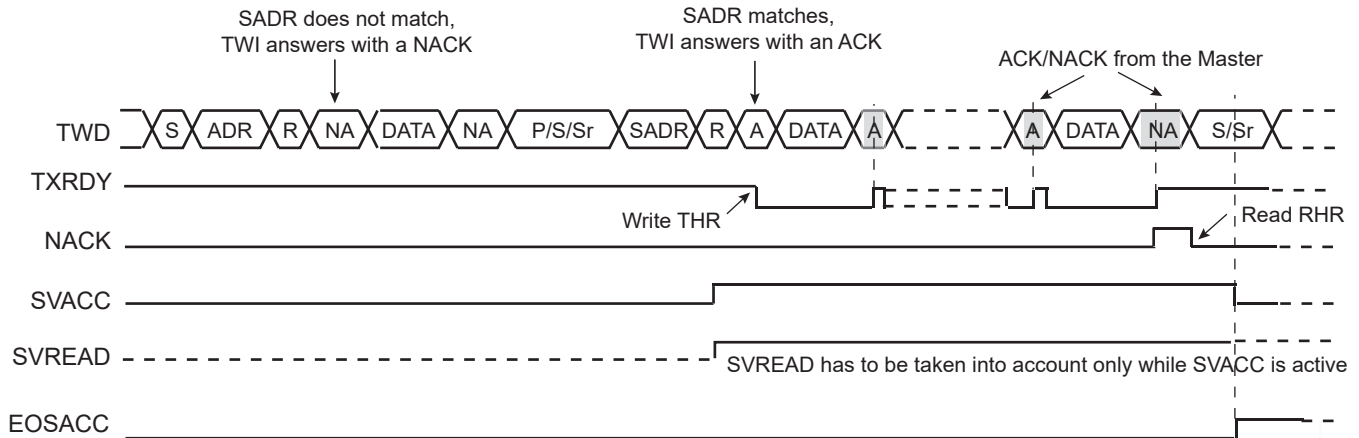
After a START or a REPEATED START condition is detected, the decoding of the address starts. If the slave address (SADR) is decoded, SVACC is set and SVREAD indicates the direction of the transfer.

Until a STOP or REPEATED START condition is detected, TWI continues sending data loaded in the TWI_THR.

If a STOP condition or a REPEATED START + an address different from SADR is detected, SVACC is reset.

Figure 40-23 describes the write operation.

Figure 40-23: Read Access Ordered by a Master



Note 1: When SVACC is low, the state of SVREAD becomes irrelevant.

2: TXRDY is reset when data has been transmitted from TWI_THR to the internal shifter and set when this data has been acknowledged or non acknowledged.

• Write Operation

The Write mode is defined as a data transmission from the master.

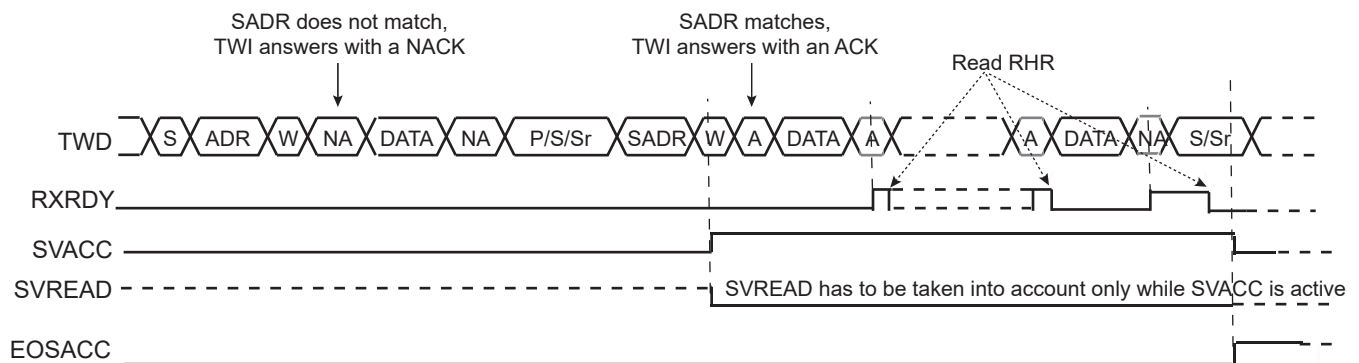
After a START or a REPEATED START, the decoding of the address starts. If the slave address is decoded, SVACC is set and SVREAD indicates the direction of the transfer (SVREAD is low in this case).

Until a STOP or REPEATED START condition is detected, TWI stores the received data in the TWI_RHR.

If a STOP condition or a REPEATED START + an address different from SADR is detected, SVACC is reset.

Figure 40-24 describes the write operation.

Figure 40-24: Write Access Ordered by a Master



Note 1: When SVACC is low, the state of SVREAD becomes irrelevant.

2: RXRDY is set when data has been transmitted from the internal shifter to the TWI_RHR and reset when this data is read.

SAMA5D3 SERIES

- General Call

The general call is performed in order to change the address of the slave.

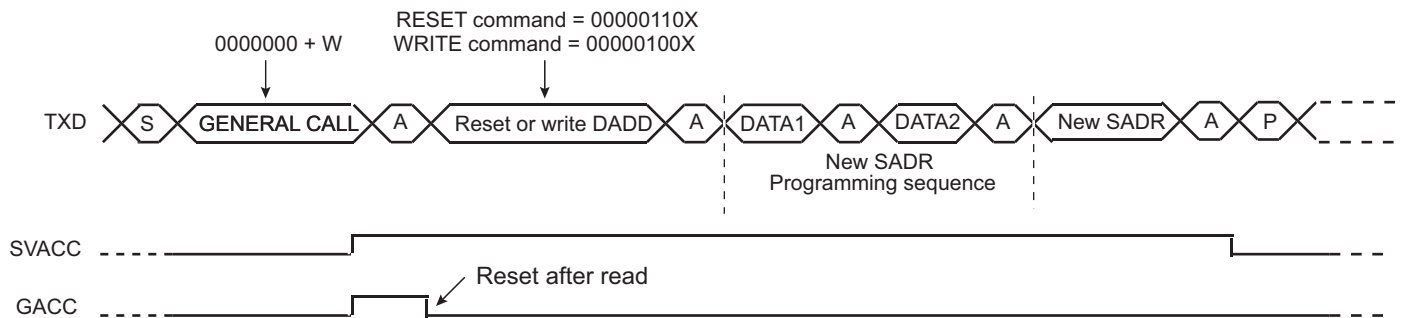
If a GENERAL CALL is detected, GACC is set.

After the detection of GENERAL CALL, it is up to the programmer to decode the commands which come afterwards.

In case of a WRITE command, the programmer has to decode the programming sequence and program a new SADR if the programming sequence matches.

Figure 40-25 describes the GENERAL CALL access.

Figure 40-25: Master Performs a General Call



Note: This method allows the user to create a personal programming sequence by choosing the programming bytes and the number of them. The programming sequence has to be provided to the master.

- Clock Synchronization/Stretching

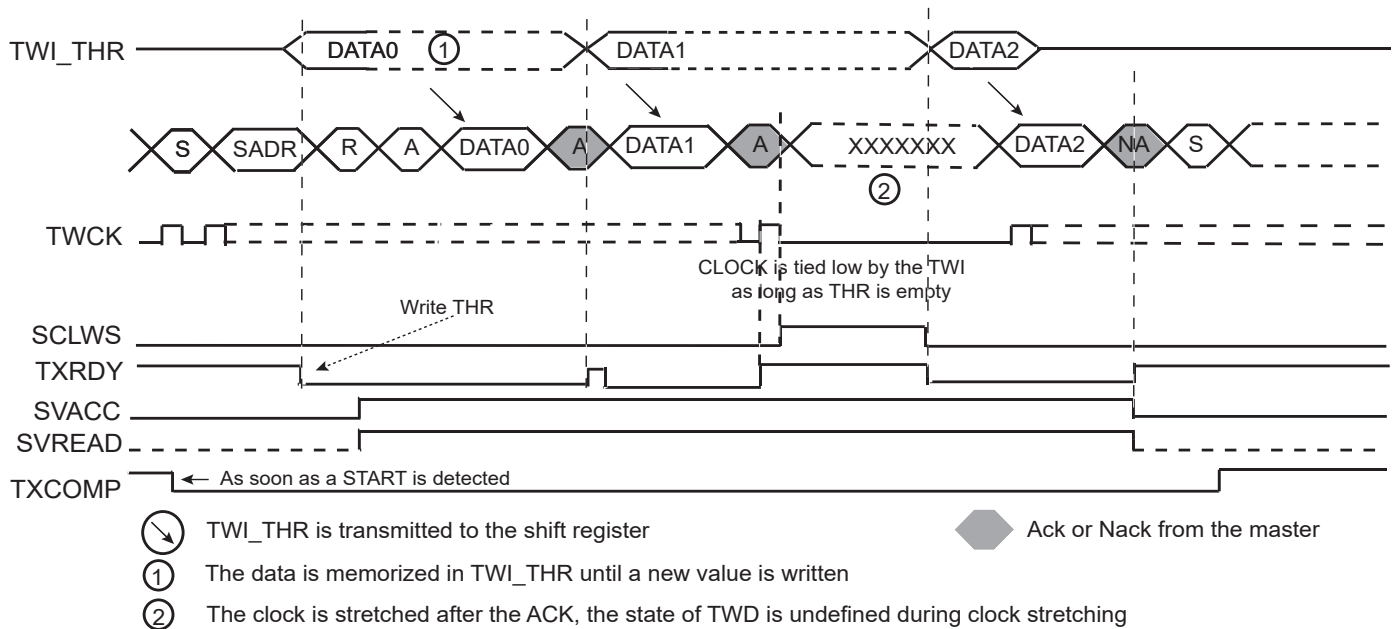
In both Read and Write modes, it may occur that TWI_THR/TWI_RHR buffer is not filled /emptied before transmission/reception of a new character. In this case, to avoid sending/receiving undesired data, a clock stretching/synchronization mechanism is implemented.

Clock Stretching in Read Mode

The clock is tied low during the acknowledge phase if the internal shifter is empty and if a STOP or REPEATED START condition was not detected. It is tied low until the internal shifter is loaded.

Figure 40-26 describes clock stretching in Read mode.

Figure 40-26: Clock Stretching in Read Mode



Note 1: TXRDY is reset when data has been written in the TWI_THR to the internal shifter and set when this data has been acknowledged or non acknowledged.

2: At the end of the read sequence, TXCOMP is set after a STOP or after a REPEATED_START + an address different from SADR.

3: SCLWS is automatically set when the clock stretching mechanism is started.

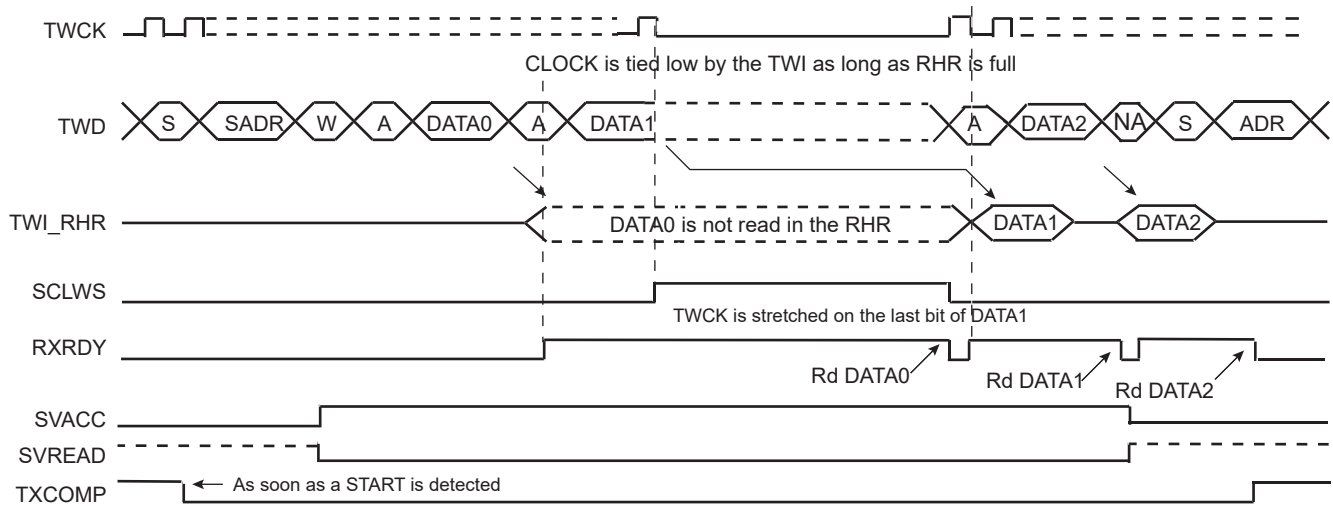
SAMA5D3 SERIES

Clock Synchronization in Write Mode

The clock is tied low outside of the acknowledge phase if the internal shifter and the TWI_RHR is full. If a STOP or REPEATED_START condition was not detected, it is tied low until TWI_RHR is read.

Figure 40-27 describes the clock synchronization in Write mode.

Figure 40-27: Clock Synchronization in Write Mode



- Note 1:** At the end of the read sequence, TXCOMP is set after a STOP or after a REPEATED_START + an address different from SADR.
- 2:** SCLWS is automatically set when the clock synchronization mechanism is started and automatically reset when the mechanism is finished.

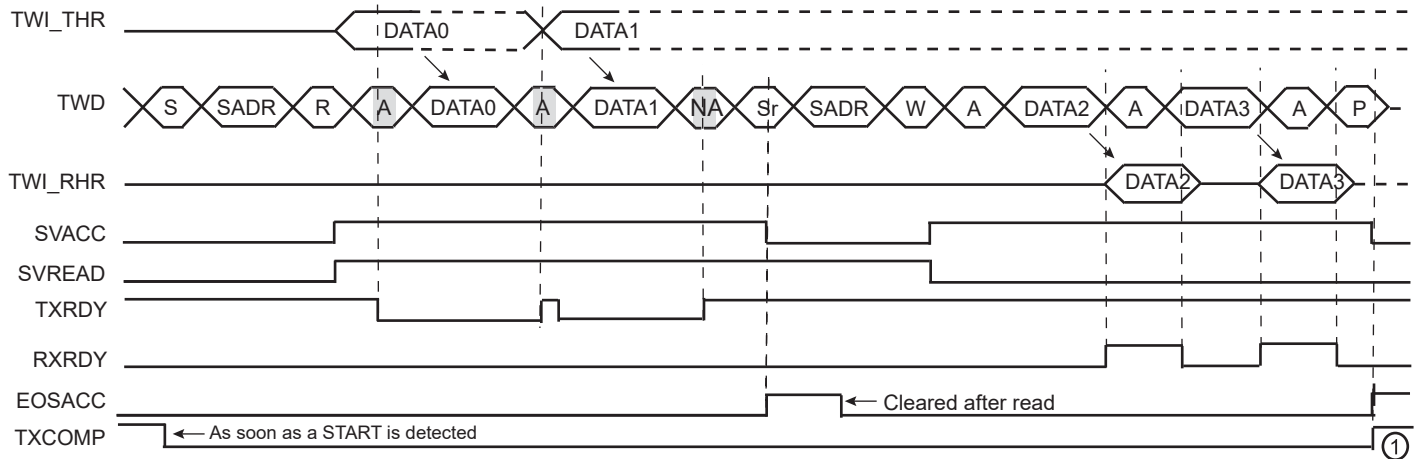
- Reversal After a Repeated Start

Reversal of Read to Write

The master initiates the communication by a read command and finishes it by a write command.

Figure 40-28 describes the repeated start + reversal from Read to Write mode.

Figure 40-28: Repeated Start + Reversal from Read to Write Mode



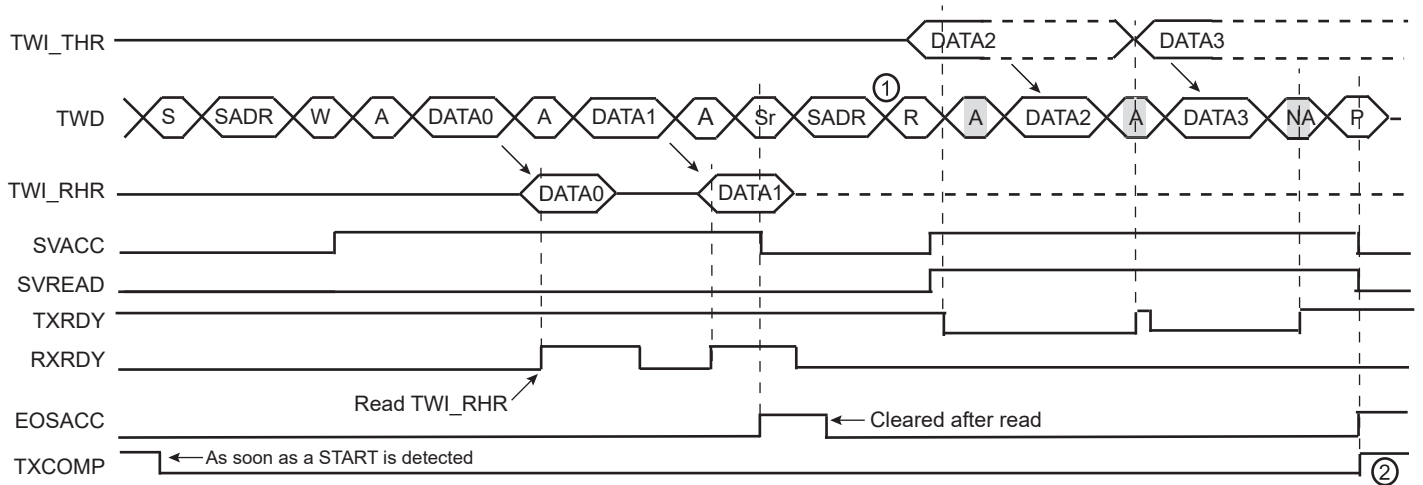
Note 1: TXCOMP is only set at the end of the transmission because after the repeated start, SADR is detected again.

Reversal of Write to Read

The master initiates the communication by a write command and finishes it by a read command.

Figure 40-29 describes the repeated start + reversal from Write to Read mode.

Figure 40-29: Repeated Start + Reversal from Write to Read Mode



Note 1: In this case, if TWI_THR has not been written at the end of the read command, the clock is automatically stretched before the ACK.

2: TXCOMP is only set at the end of the transmission because after the repeated start, SADR is detected again.

40.7.5.5 Using the DMA Controller

The use of the DMA significantly reduces the CPU load.

To ensure correct implementation, proceed as follows.

- Data Transmit with the DMA

1. Initialize the DMA (channels, memory pointers, size, etc.).

SAMA5D3 SERIES

2. Configure the Slave mode.
 3. Enable the DMA.
 4. Wait for the DMA buffer transfer complete flag.
 5. Disable the DMA.
 6. (Only if peripheral clock must be disabled) Wait for the TXCOMP flag to be raised in TWI_SR.
- Data Receive with the DMA

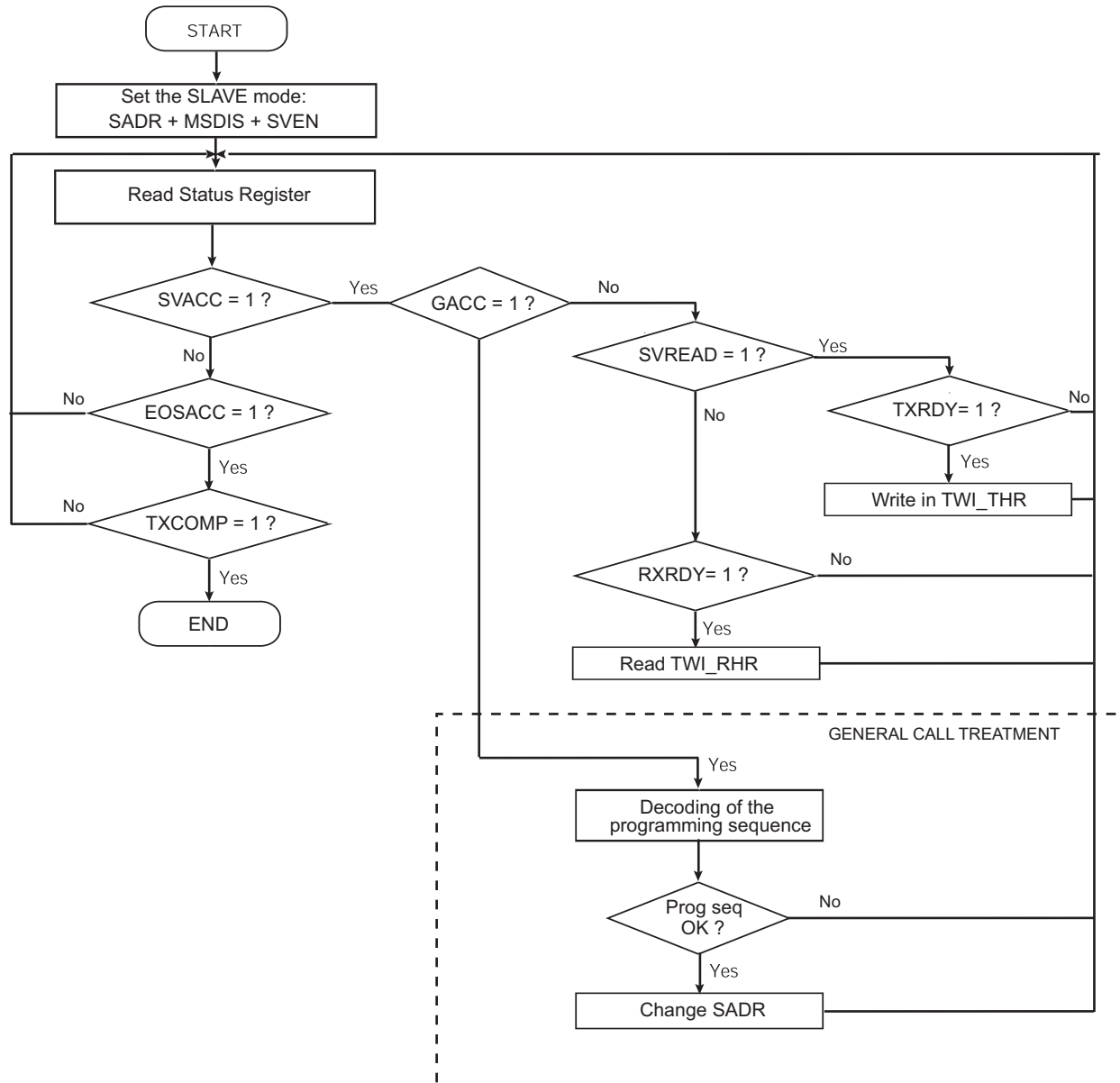
The DMA transfer size must be defined with the buffer size. In Slave mode, the number of characters to be received must be known in order to configure the DMA.

1. Initialize the DMA (channels, memory pointers, size, etc.).
2. Configure the Slave mode.
3. Enable the DMA.
4. Wait for the DMA buffer transfer complete flag.
5. Disable the DMA.
6. (Only if peripheral clock must be disabled) Wait for the TXCOMP flag to be raised in TWI_SR.

40.7.5.6 Read Write Flowcharts

The flowchart shown in [Figure 40-30](#) gives an example of read and write operations in Slave mode. A polling or interrupt method can be used to check the status bits. The interrupt method requires that the Interrupt Enable Register (TWI_IER) be configured first.

Figure 40-30: Read Write Flowchart in Slave Mode



40.7.6 Register Write Protection

To prevent any single software error from corrupting TWI behavior, certain registers in the address space can be write-protected by setting the WPEN bit in the [TWI Write Protection Mode Register \(TWI_WPMR\)](#).

If a write access to a write-protected register is detected, the WPVS flag in the [TWI Write Protection Status Register \(TWI_WPSR\)](#) is set and the WPVSR field shows the register in which the write access has been attempted.

The WPVS bit is automatically cleared after reading the TWI_WPSR.

The following registers can be write-protected:

- [TWI Slave Mode Register](#)
- [TWI Clock Waveform Generator Register](#)

SAMA5D3 SERIES

40.8 Two-wire Interface (TWI) User Interface

Table 40-7: Register Mapping

Offset	Register	Name	Access	Reset
0x00	Control Register	TWI_CR	Write-only	–
0x04	Master Mode Register	TWI_MMR	Read/Write	0x00000000
0x08	Slave Mode Register	TWI_SMR	Read/Write	0x00000000
0x0C	Internal Address Register	TWI_IADR	Read/Write	0x00000000
0x10	Clock Waveform Generator Register	TWI_CWGR	Read/Write	0x00000000
0x14–0x1C	Reserved	–	–	–
0x20	Status Register	TWI_SR	Read-only	0x0000F009
0x24	Interrupt Enable Register	TWI_IER	Write-only	–
0x28	Interrupt Disable Register	TWI_IDR	Write-only	–
0x2C	Interrupt Mask Register	TWI_IMR	Read-only	0x00000000
0x30	Receive Holding Register	TWI_RHR	Read-only	0x00000000
0x34	Transmit Holding Register	TWI_THR	Write-only	–
0x38–0xE0	Reserved	–	–	–
0xE4	Write Protection Mode Register	TWI_WPMR	Read/Write	0x00000000
0xE8	Write Protection Status Register	TWI_WPSR	Read-only	0x00000000
0xEC–0xFC	Reserved	–	–	–

Note: All unlisted offset values are considered as “reserved”.

40.8.1 TWI Control Register

Name: TWI_CR

Address: 0xF0014000 (0), 0xF0018000 (1), 0xF801C000 (2)

Access: Write-only

31	30	29	28	27	26	25	24
–	–	–	–	–	–	–	–
23	22	21	20	19	18	17	16
–	–	–	–	–	–	–	–
15	14	13	12	11	10	9	8
–	–	–	–	–	–	–	–
7	6	5	4	3	2	1	0
SWRST	QUICK	SVDIS	SVEN	MSDIS	MSEN	STOP	START

START: Send a START Condition

0: No effect.

1: A frame beginning with a START bit is transmitted according to the features defined in the TWI Master Mode Register (TWI_MMR).

This action is necessary for the TWI to read data from a slave. When configured in Master mode with a write operation, a frame is sent as soon as the user writes a character in the Transmit Holding Register (TWI_THR).

STOP: Send a STOP Condition

0: No effect.

1: STOP condition is sent just after completing the current byte transmission in Master read mode.

- In single data byte master read, the START and STOP must both be set.
- In multiple data bytes master read, the STOP must be set after the last data received but one.
- In Master read mode, if a NACK bit is received, the STOP is automatically performed.
- In master data write operation, a STOP condition is sent when transmission of the current data has ended.

MSEN: TWI Master Mode Enabled

0: No effect.

1: Enables the Master mode (MSDIS must be written to 0).

Note: Switching from Slave to Master mode is only permitted when TXCOMP = 1.

MSDIS: TWI Master Mode Disabled

0: No effect.

1: The Master mode is disabled, all pending data is transmitted. The shifter and holding characters (if it contains data) are transmitted in case of write operation. In read operation, the character being transferred must be completely received before disabling.

SVEN: TWI Slave Mode Enabled

0: No effect.

1: Enables the Slave mode (SVDIS must be written to 0)

Note: Switching from master to Slave mode is only permitted when TXCOMP = 1.

SVDIS: TWI Slave Mode Disabled

0: No effect.

1: The Slave mode is disabled. The shifter and holding characters (if it contains data) are transmitted in case of read operation. In write operation, the character being transferred must be completely received before disabling.

SAMA5D3 SERIES

QUICK: SMBus Quick Command

0: No effect.

1: If Master mode is enabled, a SMBus Quick Command is sent.

SWRST: Software Reset

0: No effect.

1: Equivalent to a system reset.

40.8.2 TWI Master Mode Register

Name: TWI_MMR

Address: 0xF0014004 (0), 0xF0018004 (1), 0xF801C004 (2)

Access: Read/Write

31	30	29	28	27	26	25	24
–	–	–	–	–	–	–	–
23	22	21	20	19	18	17	16
–	DADR						
15	14	13	12	11	10	9	8
–	–	–	MREAD	–	–	IADRSZ	
7	6	5	4	3	2	1	0
–	–	–	–	–	–	–	–

IADRSZ: Internal Device Address Size

Value	Name	Description
0	NONE	No internal device address
1	1_BYTE	One-byte internal device address
2	2_BYTE	Two-byte internal device address
3	3_BYTE	Three-byte internal device address

MREAD: Master Read Direction

0: Master write direction.

1: Master read direction.

DADR: Device Address

The device address is used to access slave devices in Read or Write mode. These bits are only used in Master mode.

SAMA5D3 SERIES

40.8.3 TWI Slave Mode Register

Name: TWI_SMR

Address: 0xF0014008 (0), 0xF0018008 (1), 0xF801C008 (2)

Access: Read/Write

31	30	29	28	27	26	25	24
–	–	–	–	–	–	–	–
23	22	21	20	19	18	17	16
–	SADR						
15	14	13	12	11	10	9	8
–	–	–	–	–	–		
7	6	5	4	3	2	1	0
–	–	–	–	–	–	–	–

This register can only be written if the WPEN bit is cleared in the [TWI Write Protection Mode Register](#).

SADR: Slave Address

The slave device address is used in Slave mode in order to be accessed by master devices in Read or Write mode.

SADR must be programmed before enabling the Slave mode or after a general call. Writes at other times have no effect.

40.8.4 TWI Internal Address Register

Name: TWI_IADR

Address: 0xF001400C (0), 0xF001800C (1), 0xF801C00C (2)

Access: Read/Write

31	30	29	28	27	26	25	24
-	-	-	-	-	-	-	-
23	22	21	20	19	18	17	16
IADR							
15	14	13	12	11	10	9	8
IADR							
7	6	5	4	3	2	1	0
IADR							

IADR: Internal Address

0, 1, 2 or 3 bytes depending on IADRSZ.

SAMA5D3 SERIES

40.8.5 TWI Clock Waveform Generator Register

Name: TWI_CWGR

Address: 0xF0014010 (0), 0xF0018010 (1), 0xF801C010 (2)

Access: Read/Write

31	30	29	28	27	26	25	24
–	–	–	–	–	–	–	–
23	22	21	20	19	18	17	16
–	–	–	–	–	CKDIV		
15	14	13	12	11	10	9	8
CHDIV							
7	6	5	4	3	2	1	0
CLDIV							

This register can only be written if the WPEN bit is cleared in the [TWI Write Protection Mode Register](#).

TWI_CWGR is only used in Master mode.

CLDIV: Clock Low Divider

The TWCK low period is defined as follows: $t_{low} = ((CLDIV \times 2^{CKDIV}) + 3) \times t_{\text{peripheral clock}}$

CHDIV: Clock High Divider

The TWCK high period is defined as follows: $t_{high} = ((CHDIV \times 2^{CKDIV}) + 3) \times t_{\text{peripheral clock}}$

CKDIV: Clock Divider

The CKDIV field is used to increase both TWCK high and low periods.

40.8.6 TWI Status Register

Name: TWI_SR

Address: 0xF0014020 (0), 0xF0018020 (1), 0xF801C020 (2)

Access: Read-only

31	30	29	28	27	26	25	24
–	–	–	–	–	–	–	–
23	22	21	20	19	18	17	16
–	–	–	–	–	–	–	–
15	14	13	12	11	10	9	8
–	–	–	–	EOSACC	SCLWS	ARBLST	NACK
7	6	5	4	3	2	1	0
–	OVRE	GACC	SVACC	SVREAD	TXRDY	RXRDY	TXCOMP

TXCOMP: Transmission Completed (cleared by writing TWI_THR)

TXCOMP used in Master mode:

0: During the length of the current frame.

1: When both holding register and internal shifter are empty and STOP condition has been sent.

TXCOMP behavior in Master mode can be seen in [Figure 40-6](#) and in [Figure 40-8](#).

TXCOMP used in Slave mode:

0: As soon as a START is detected.

1: After a STOP or a REPEATED START + an address different from SADR is detected.

TXCOMP behavior in Slave mode can be seen in [Figure 40-26](#), [Figure 40-27](#), [Figure 40-28](#) and [Figure 40-29](#).

RXRDY: Receive Holding Register Ready (cleared by reading TWI_RHR)

0: No character has been received since the last TWI_RHR read operation.

1: A byte has been received in the TWI_RHR since the last read.

RXRDY behavior in Master mode can be seen in [Figure 40-8](#).

RXRDY behavior in Slave mode can be seen in [Figure 40-24](#), [Figure 40-27](#), [Figure 40-28](#) and [Figure 40-29](#).

TXRDY: Transmit Holding Register Ready (cleared by writing TWI_THR)

TXRDY used in Master mode:

0: The transmit holding register has not been transferred into internal shifter. Set to 0 when writing into TWI_THR.

1: As soon as a data byte is transferred from TWI_THR to internal shifter or if a NACK error is detected, TXRDY is set at the same time as TXCOMP and NACK. TXRDY is also set when MSEN is set (enable TWI).

TXRDY behavior in Master mode can be seen in [Figure 40.7.3.3](#).

TXRDY used in Slave mode:

0: As soon as data is written in the TWI_THR, until this data has been transmitted and acknowledged (ACK or NACK).

1: It indicates that the TWI_THR is empty and that data has been transmitted and acknowledged.

If TXRDY is high and if a NACK has been detected, the transmission will be stopped. Thus when TRDY = NACK = 1, the programmer must not fill TWI_THR to avoid losing it.

TXRDY behavior in Slave mode can be seen in [Figure 40-23](#), [Figure 40-26](#), [Figure 40-28](#) and [Figure 40-29](#).

SVREAD: Slave Read

This bit is only used in Slave mode. When SVACC is low (no Slave access has been detected) SVREAD is irrelevant.

0: Indicates that a write access is performed by a Master.

SAMA5D3 SERIES

1: Indicates that a read access is performed by a Master.

SVREAD behavior can be seen in [Figure 40-23](#), [Figure 40-24](#), [Figure 40-28](#) and [Figure 40-29](#).

SVACC: Slave Access

This bit is only used in Slave mode.

0: TWI is not addressed. SVACC is automatically cleared after a NACK or a STOP condition is detected.

1: Indicates that the address decoding sequence has matched (A Master has sent SADR). SVACC remains high until a NACK or a STOP condition is detected.

SVACC behavior can be seen in [Figure 40-23](#), [Figure 40-24](#), [Figure 40-28](#) and [Figure 40-29](#).

GACC: General Call Access (cleared on read)

This bit is only used in Slave mode.

0: No General Call has been detected.

1: A General Call has been detected. After the detection of General Call, if need be, the programmer may acknowledge this access and decode the following bytes and respond according to the value of the bytes.

GACC behavior can be seen in [Figure 40-25](#).

OVRE: Overrun Error (cleared on read)

This bit is only used in Master mode.

0: TWI_RHR has not been loaded while RXRDY was set

1: TWI_RHR has been loaded while RXRDY was set. Reset by read in TWI_SR when TXCOMP is set.

NACK: Not Acknowledged (cleared on read)

NACK used in Master mode:

0: Each data byte has been correctly received by the far-end side TWI slave component.

1: A data byte or an address byte has not been acknowledged by the slave component. Set at the same time as TXCOMP.

NACK used in Slave Read mode:

0: Each data byte has been correctly received by the Master.

1: In Read mode, a data byte has not been acknowledged by the Master. When NACK is set, the programmer must not fill TWI_THR even if TXRDY is set, because that means that the Master will stop the data transfer or reinitiate it.

Note that in Slave write mode all data are acknowledged by the TWI.

ARBLST: Arbitration Lost (cleared on read)

This bit is only used in Master mode.

0: Arbitration won.

1: Arbitration lost. Another master of the TWI bus has won the multi-master arbitration. TXCOMP is set at the same time.

SCLWS: Clock Wait State

This bit is only used in Slave mode.

0: The clock is not stretched.

1: The clock is stretched. TWI_THR / TWI_RHR buffer is not filled / emptied before transmission / reception of a new character.

SCLWS behavior can be seen in [Figure 40-26](#) and [Figure 40-27](#).

EOSACC: End Of Slave Access (cleared on read)

This bit is only used in Slave mode.

0: A slave access is being performed.

1: The Slave access is finished. End Of Slave Access is automatically set as soon as SVACC is reset.

EOSACC behavior can be seen in [Figure 40-28](#) and [Figure 40-29](#).

40.8.7 TWI Interrupt Enable Register

Name: TWI_IER

Address: 0xF0014024 (0), 0xF0018024 (1), 0xF801C024 (2)

Access: Write-only

31	30	29	28	27	26	25	24
–	–	–	–	–	–	–	–
23	22	21	20	19	18	17	16
–	–	–	–	–	–	–	–
15	14	13	12	11	10	9	8
–	–	–	–	EOSACC	SCL_WS	ARBLST	NACK
7	6	5	4	3	2	1	0
–	OVRE	GACC	SVACC	–	TXRDY	RXRDY	TXCOMP

The following configuration values are valid for all listed bit names of this register:

0: No effect.

1: Enables the corresponding interrupt.

TXCOMP: Transmission Completed Interrupt Enable

RXRDY: Receive Holding Register Ready Interrupt Enable

TXRDY: Transmit Holding Register Ready Interrupt Enable

SVACC: Slave Access Interrupt Enable

GACC: General Call Access Interrupt Enable

OVRE: Overrun Error Interrupt Enable

NACK: Not Acknowledge Interrupt Enable

ARBLST: Arbitration Lost Interrupt Enable

SCL_WS: Clock Wait State Interrupt Enable

EOSACC: End Of Slave Access Interrupt Enable

SAMA5D3 SERIES

40.8.8 TWI Interrupt Disable Register

Name: TWI_IDR

Address: 0xF0014028 (0), 0xF0018028 (1), 0xF801C028 (2)

Access: Write-only

31	30	29	28	27	26	25	24
–	–	–	–	–	–	–	–
23	22	21	20	19	18	17	16
–	–	–	–	–	–	–	–
15	14	13	12	11	10	9	8
–	–	–	–	EOSACC	SCL_WS	ARBLST	NACK
7	6	5	4	3	2	1	0
–	OVRE	GACC	SVACC	–	TXRDY	RXRDY	TXCOMP

The following configuration values are valid for all listed bit names of this register:

0: No effect.

1: Disables the corresponding interrupt.

TXCOMP: Transmission Completed Interrupt Disable

RXRDY: Receive Holding Register Ready Interrupt Disable

TXRDY: Transmit Holding Register Ready Interrupt Disable

SVACC: Slave Access Interrupt Disable

GACC: General Call Access Interrupt Disable

OVRE: Overrun Error Interrupt Disable

NACK: Not Acknowledge Interrupt Disable

ARBLST: Arbitration Lost Interrupt Disable

SCL_WS: Clock Wait State Interrupt Disable

EOSACC: End Of Slave Access Interrupt Disable

40.8.9 TWI Interrupt Mask Register

Name: TWI_IMR

Address: 0xF001402C (0), 0xF001802C (1), 0xF801C02C (2)

Access: Read-only

31	30	29	28	27	26	25	24
–	–	–	–	–	–	–	–
23	22	21	20	19	18	17	16
–	–	–	–	–	–	–	–
15	14	13	12	11	10	9	8
–	–	–	–	EOSACC	SCL_WS	ARBLST	NACK
7	6	5	4	3	2	1	0
–	OVRE	GACC	SVACC	–	TXRDY	RXRDY	TXCOMP

The following configuration values are valid for all listed bit names of this register:

0: The corresponding interrupt is disabled.

1: The corresponding interrupt is enabled.

TXCOMP: Transmission Completed Interrupt Mask

RXRDY: Receive Holding Register Ready Interrupt Mask

TXRDY: Transmit Holding Register Ready Interrupt Mask

SVACC: Slave Access Interrupt Mask

GACC: General Call Access Interrupt Mask

OVRE: Overrun Error Interrupt Mask

NACK: Not Acknowledge Interrupt Mask

ARBLST: Arbitration Lost Interrupt Mask

SCL_WS: Clock Wait State Interrupt Mask

EOSACC: End Of Slave Access Interrupt Mask

SAMA5D3 SERIES

40.8.10 TWI Receive Holding Register

Name: TWI_RHR

Address: 0xF0014030 (0), 0xF0018030 (1), 0xF801C030 (2)

Access: Read-only

31	30	29	28	27	26	25	24
–	–	–	–	–	–	–	–
23	22	21	20	19	18	17	16
–	–	–	–	–	–	–	–
15	14	13	12	11	10	9	8
–	–	–	–	–	–	–	–
7	6	5	4	3	2	1	0
RXDATA							

RXDATA: Master or Slave Receive Holding Data

40.8.11 TWI Transmit Holding Register

Name: TWI_THR

Address: 0xF0014034 (0), 0xF0018034 (1), 0xF801C034 (2)

Access: Write-only

31	30	29	28	27	26	25	24
–	–	–	–	–	–	–	–
23	22	21	20	19	18	17	16
–	–	–	–	–	–	–	–
15	14	13	12	11	10	9	8
–	–	–	–	–	–	–	–
7	6	5	4	3	2	1	0
TXDATA							

TXDATA: Master or Slave Transmit Holding Data

SAMA5D3 SERIES

40.8.12 TWI Write Protection Mode Register

Name: TWI_WPMR

Address: 0xF00140E4 (0), 0xF00180E4 (1), 0xF801C0E4 (2)

Access: Read/Write

31	30	29	28	27	26	25	24
WPKEY							
23	22	21	20	19	18	17	16
WPKEY							
15	14	13	12	11	10	9	8
WPKEY							
7	6	5	4	3	2	1	0
–	–	–	–	–	–	–	WPEN

WPEN: Write Protection Enable

0: Disables the write protection if WPKEY corresponds to 0x545749 (“TWI” in ASCII).

1: Enables the write protection if WPKEY corresponds to 0x545749 (“TWI” in ASCII).

See [Section 40.7.6 Register Write Protection](#) for the list of registers that can be write-protected.

WPKEY: Write Protection Key

Value	Name	Description
0x545749	PASSWD	Writing any other value in this field aborts the write operation of the WPEN bit. Always reads as 0

40.8.13 TWI Write Protection Status Register

Name: TWI_WPSR

Address: 0xF00140E8 (0), 0xF00180E8 (1), 0xF801C0E8 (2)

Access: Read-only

31	30	29	28	27	26	25	24
WPVSRC							
23	22	21	20	19	18	17	16
WPVSRC							
15	14	13	12	11	10	9	8
WPVSRC							
7	6	5	4	3	2	1	0
-	-	-	-	-	-	-	WPVS

WPVS: Write Protection Violation Status

0: No write protection violation has occurred since the last read of the TWI_WPSR.

1: A write protection violation has occurred since the last read of the TWI_WPSR. If this violation is an unauthorized attempt to write a protected register, the violation is reported into field WPVSRC.

WPVSRC: Write Protection Violation Source

When WPVS = 1, WPVSRC shows the register address offset at which a write access has been attempted.

41. Synchronous Serial Controller (SSC)

41.1 Description

The Synchronous Serial Controller (SSC) provides a synchronous communication link with external devices. It supports many serial synchronous communication protocols generally used in audio and telecom applications such as I2S, Short Frame Sync, Long Frame Sync, etc.

The SSC contains an independent receiver and transmitter and a common clock divider. The receiver and the transmitter each interface with three signals: the TD/RD signal for data, the TK/RK signal for the clock and the TF/RF signal for the Frame Sync. The transfers can be programmed to start automatically or on different events detected on the Frame Sync signal.

The SSC high-level of programmability and its use of DMA permit a continuous high bit rate data transfer without processor intervention.

Featuring connection to the DMA, the SSC permits interfacing with low processor overhead to the following:

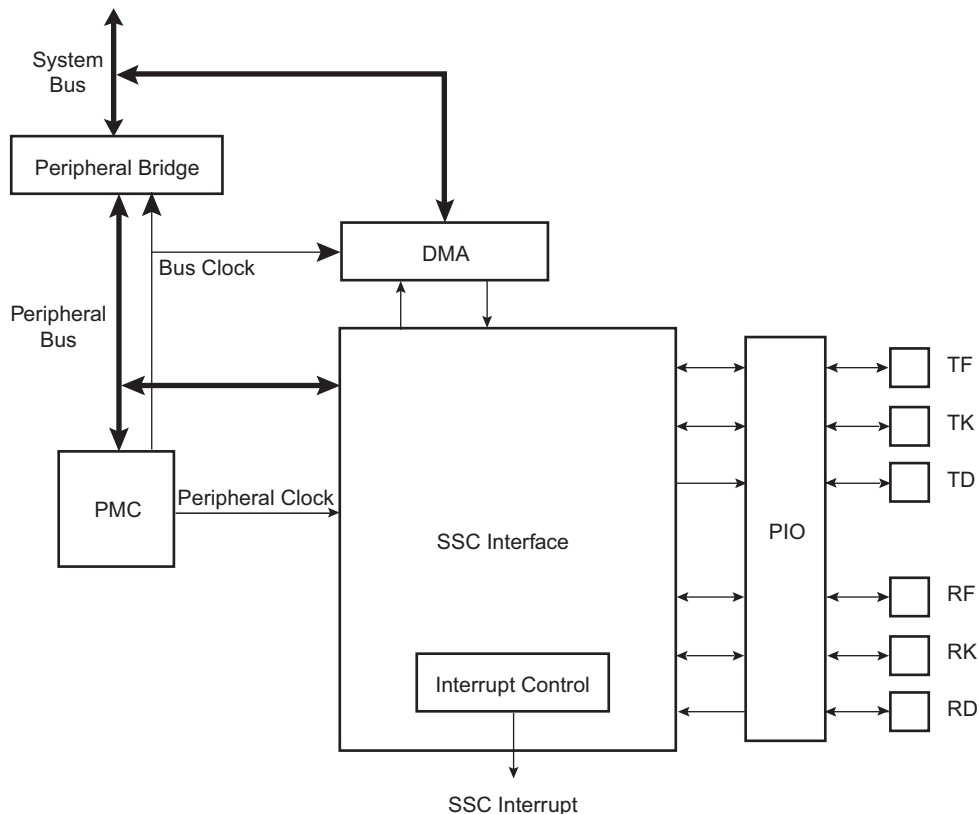
- Codecs in master or slave mode
- DAC through dedicated serial interface, particularly I2S
- Magnetic card reader

41.2 Embedded Characteristics

- Provides Serial Synchronous Communication Links Used in Audio and Telecom Applications
- Contains an Independent Receiver and Transmitter and a Common Clock Divider
- Interfaced with the DMA Controller (DMAC) to Reduce Processor Overhead
- Offers a Configurable Frame Sync and Data Length
- Receiver and Transmitter Can be Programmed to Start Automatically or on Detection of Different Events on the Frame Sync Signal
- Receiver and Transmitter Include a Data Signal, a Clock Signal and a Frame Synchronization Signal

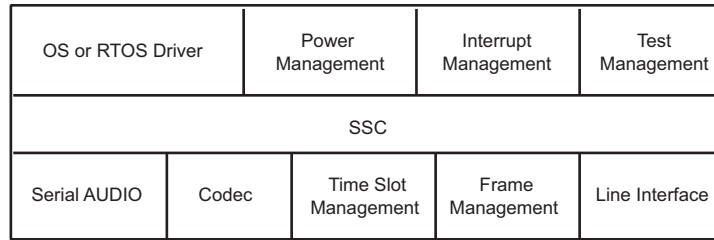
41.3 Block Diagram

Figure 41-1: SSC Block Diagram



41.4 Application Block Diagram

Figure 41-2: Application Block Diagram



41.5 SSC Application Examples

The SSC can support several serial communication modes used in audio or high speed serial links. Some standard applications are shown in the following figures. All serial link applications supported by the SSC are not listed here.

Figure 41-3: Audio Application Block Diagram

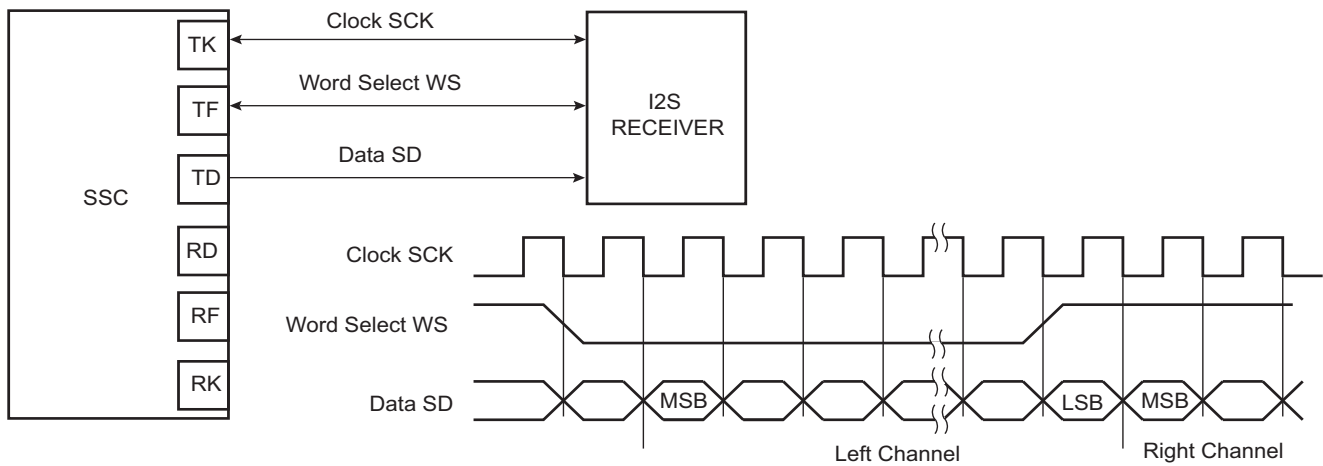


Figure 41-4: Codec Application Block Diagram

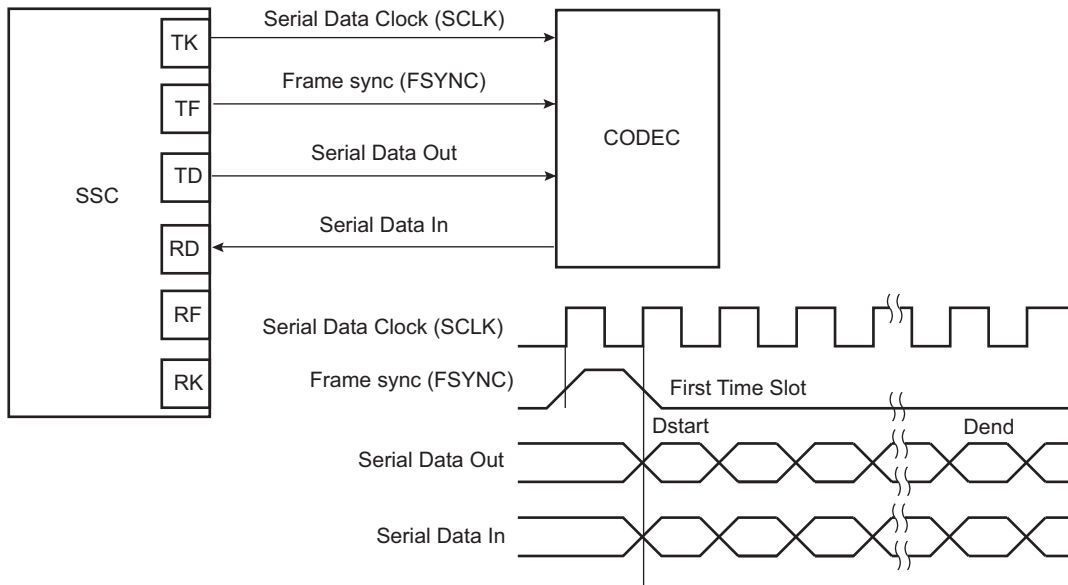
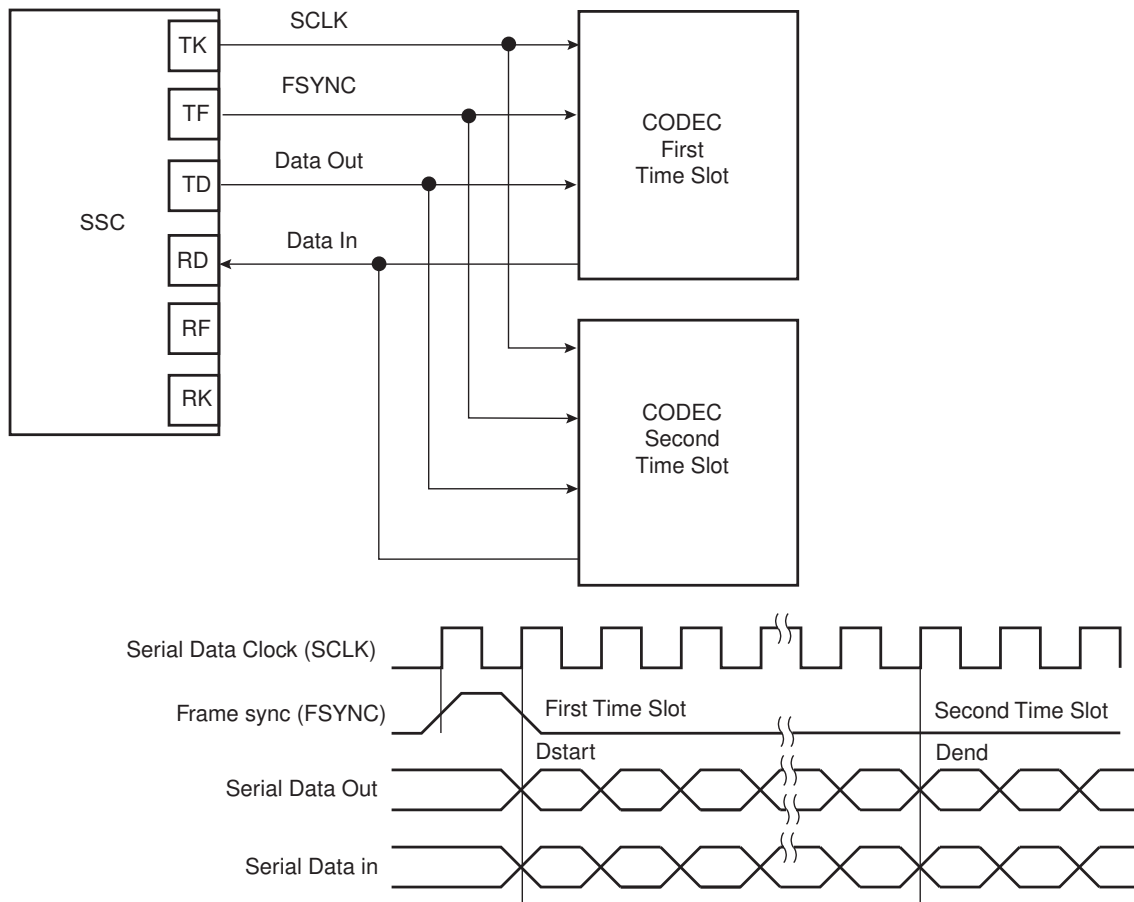


Figure 41-5: Time Slot Application Block Diagram



41.6 Pin Name List

Table 41-1: I/O Lines Description

Pin Name	Pin Description	Type
RF	Receiver Frame Synchro	Input/Output
RK	Receiver Clock	Input/Output
RD	Receiver Data	Input
TF	Transmitter Frame Synchro	Input/Output
TK	Transmitter Clock	Input/Output
TD	Transmitter Data	Output

41.7 Product Dependencies

41.7.1 I/O Lines

The pins used for interfacing the compliant external devices may be multiplexed with PIO lines.

Before using the SSC receiver, the PIO controller must be configured to dedicate the SSC receiver I/O lines to the SSC peripheral mode.

Before using the SSC transmitter, the PIO controller must be configured to dedicate the SSC transmitter I/O lines to the SSC peripheral mode.

Table 41-2: I/O Lines

Instance	Signal	I/O Line	Peripheral
SSC0	RD0	PC21	A
SSC0	RF0	PC20	A
SSC0	RK0	PC19	A
SSC0	TD0	PC18	A
SSC0	TF0	PC17	A
SSC0	TK0	PC16	A
SSC1	RD1	PB11	B
SSC1	RF1	PB10	B
SSC1	RK1	PB7	B
SSC1	TD1	PB6	B
SSC1	TF1	PB3	B
SSC1	TK1	PB2	B

41.7.2 Power Management

The SSC is not continuously clocked. The SSC interface may be clocked through the Power Management Controller (PMC), therefore the programmer must first configure the PMC to enable the SSC clock.

41.7.3 Interrupt

The SSC interface has an interrupt line connected to the interrupt controller. Handling interrupts requires programming the interrupt controller before configuring the SSC.

All SSC interrupts can be enabled/disabled configuring the SSC Interrupt Mask Register. Each pending and unmasked SSC interrupt will assert the SSC interrupt line. The SSC interrupt service routine can get the interrupt origin by reading the SSC Interrupt Status Register.

Table 41-3: Peripheral IDs

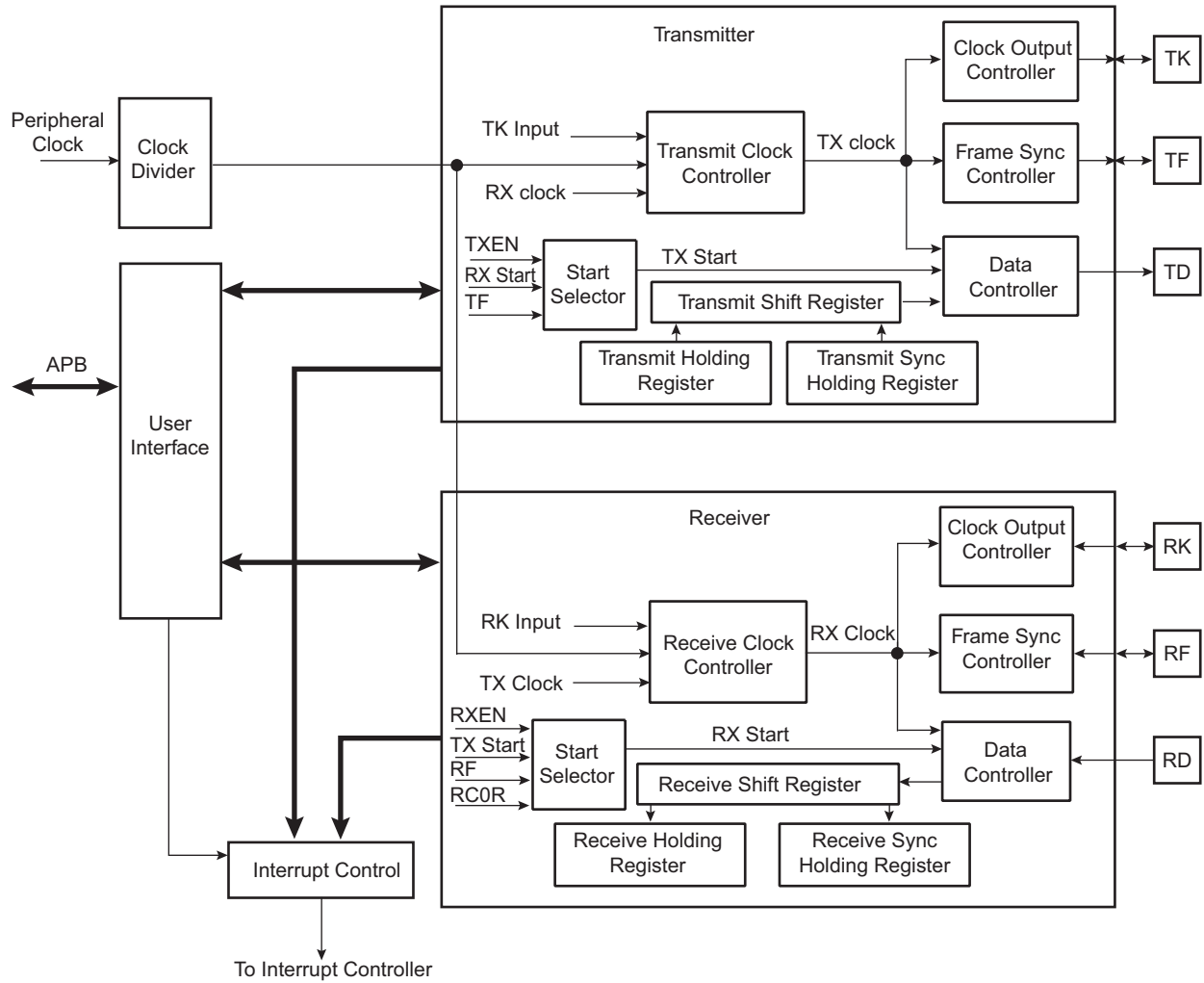
Instance	ID
SSC0	38
SSC1	39

41.8 Functional Description

This chapter contains the functional description of the following: SSC Functional Block, Clock Management, Data format, Start, Transmitter, Receiver and Frame Sync.

The receiver and transmitter operate separately. However, they can work synchronously by programming the receiver to use the transmit clock and/or to start a data transfer when transmission starts. Alternatively, this can be done by programming the transmitter to use the receive clock and/or to start a data transfer when reception starts. The transmitter and the receiver can be programmed to operate with the clock signals provided on either the TK or RK pins. This allows the SSC to support many slave-mode data transfers. The maximum clock speed allowed on the TK and RK pins is the peripheral clock divided by 2.

Figure 41-6: SSC Functional Block Diagram



SAMA5D3 SERIES

41.8.1 Clock Management

The transmitter clock can be generated by:

- an external clock received on the TK I/O pad
- the receiver clock
- the internal clock divider

The receiver clock can be generated by:

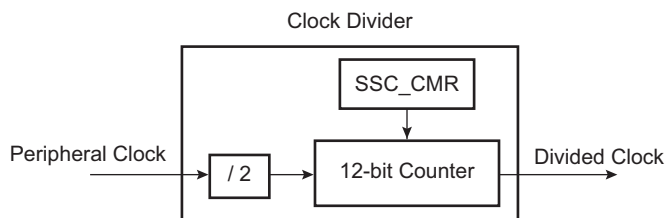
- an external clock received on the RK I/O pad
- the transmitter clock
- the internal clock divider

Furthermore, the transmitter block can generate an external clock on the TK I/O pad, and the receiver block can generate an external clock on the RK I/O pad.

This allows the SSC to support many Master and Slave Mode data transfers.

41.8.1.1 Clock Divider

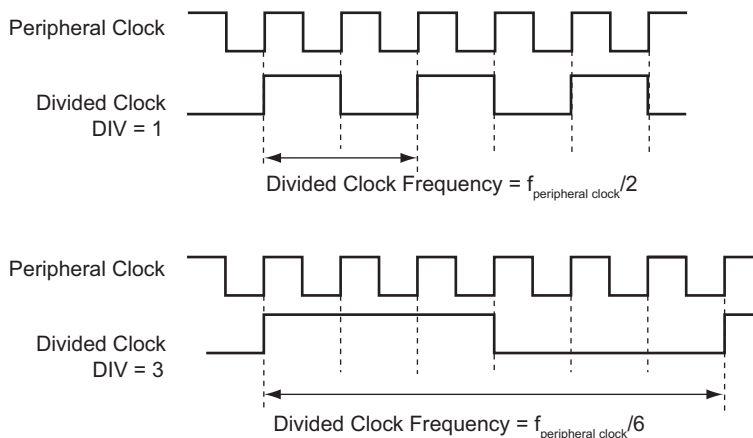
Figure 41-7: Divided Clock Block Diagram



The peripheral clock divider is determined by the 12-bit field DIV counter and comparator (so its maximal value is 4095) in the Clock Mode Register (SSC_CMCR), allowing a peripheral clock division by up to 8190. The Divided Clock is provided to both the Receiver and Transmitter. When this field is programmed to 0, the Clock Divider is not used and remains inactive.

When DIV is set to a value equal to or greater than 1, the Divided Clock has a frequency of peripheral clock divided by 2 times DIV. Each level of the Divided Clock has a duration of the peripheral clock multiplied by DIV. This ensures a 50% duty cycle for the Divided Clock regardless of whether the DIV value is even or odd.

Figure 41-8: Divided Clock Generation

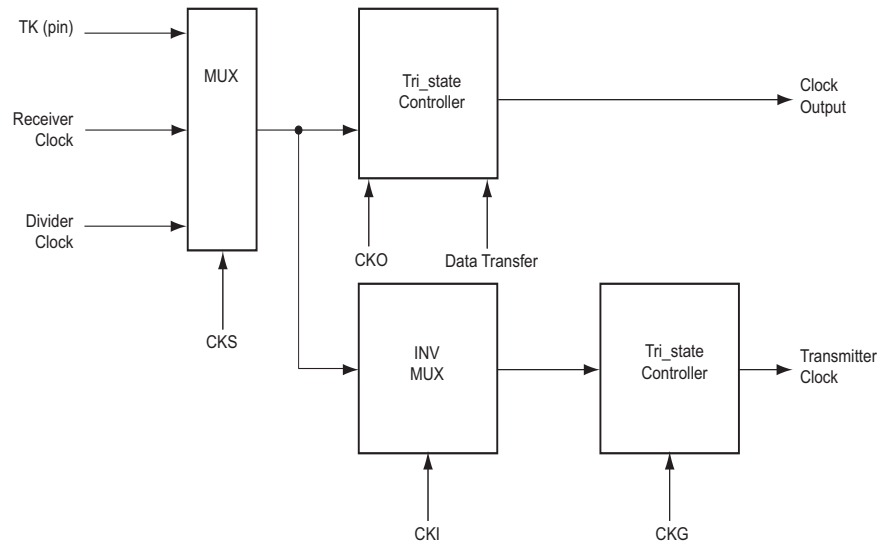


41.8.1.2 Transmitter Clock Management

The transmitter clock is generated from the receiver clock or the divider clock or an external clock scanned on the TK I/O pad. The transmitter clock is selected by the CKS field in the Transmit Clock Mode Register (SSC_TCMR). Transmit Clock can be inverted independently by the CKI bits in the SSC_TCMR.

The transmitter can also drive the TK I/O pad continuously or be limited to the actual data transfer. The clock output is configured by the SSC_TCMR. The Transmit Clock Inversion (CKI) bits have no effect on the clock outputs. Programming the SSC_TCMR to select TK pin (CKS field) and at the same time Continuous Transmit Clock (CKO field) can lead to unpredictable results.

Figure 41-9: Transmitter Clock Management



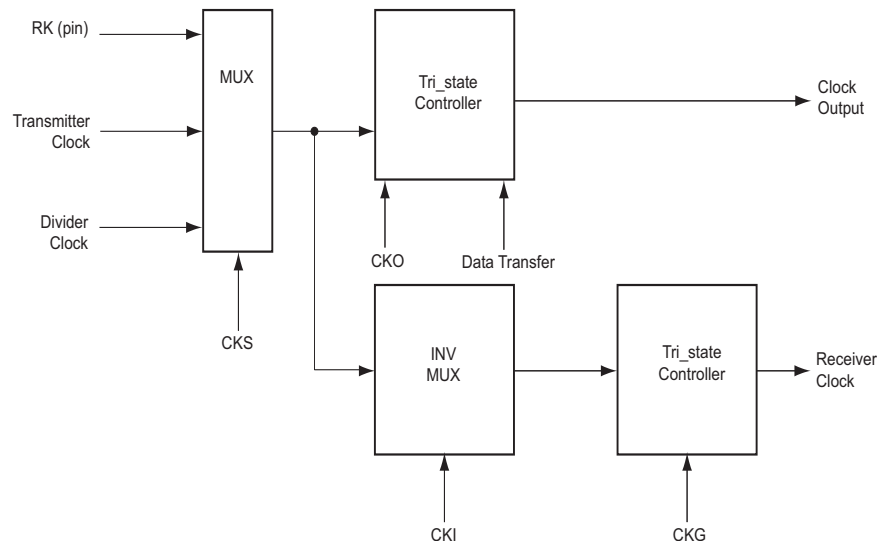
SAMA5D3 SERIES

41.8.1.3 Receiver Clock Management

The receiver clock is generated from the transmitter clock or the divider clock or an external clock scanned on the RK I/O pad. The Receive Clock is selected by the CKS field in SSC_RCMR (Receive Clock Mode Register). Receive Clocks can be inverted independently by the CKI bits in SSC_RCMR.

The receiver can also drive the RK I/O pad continuously or be limited to the actual data transfer. The clock output is configured by the SSC_RCMR. The Receive Clock Inversion (CKI) bits have no effect on the clock outputs. Programming the SSC_RCMR to select RK pin (CKS field) and at the same time Continuous Receive Clock (CKO field) can lead to unpredictable results.

Figure 41-10: Receiver Clock Management



41.8.1.4 Serial Clock Ratio Considerations

The Transmitter and the Receiver can be programmed to operate with the clock signals provided on either the TK or RK pins. This allows the SSC to support many slave-mode data transfers. In this case, the maximum clock speed allowed on the RK pin is:

- Peripheral clock divided by 2 if Receiver Frame Synchro is input
- Peripheral clock divided by 3 if Receiver Frame Synchro is output

In addition, the maximum clock speed allowed on the TK pin is:

- Peripheral clock divided by 6 if Transmit Frame Synchro is input
- Peripheral clock divided by 2 if Transmit Frame Synchro is output

41.8.2 Transmitter Operations

A transmitted frame is triggered by a start event and can be followed by synchronization data before data transmission.

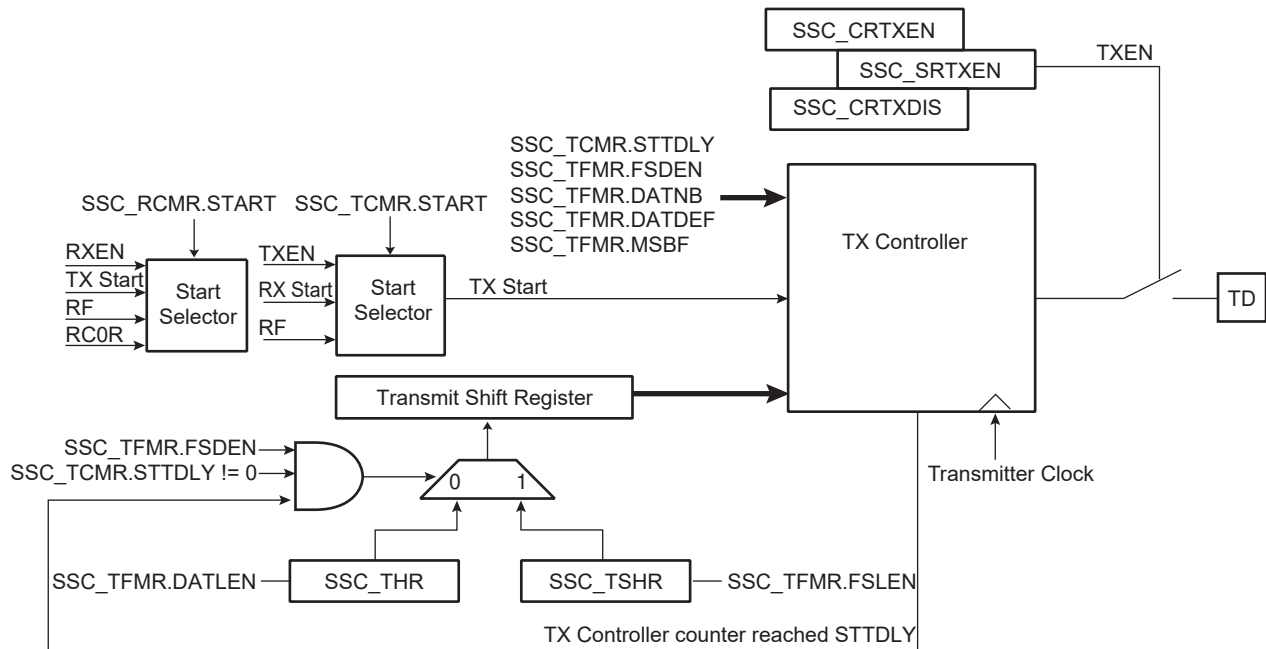
The start event is configured by setting the SSC_TCMR. See [Section 41.8.4 Start](#).

The frame synchronization is configured setting the Transmit Frame Mode Register (SSC_TFMR). See [Section 41.8.5 Frame Sync](#).

To transmit data, the transmitter uses a shift register clocked by the transmitter clock signal and the start mode selected in the SSC_TCMR. Data is written by the application to the SSC_THR then transferred to the shift register according to the data format selected.

When both the SSC_THR and the transmit shift register are empty, the status flag TXEMPTY is set in the SSC_SR. When the Transmit Holding register is transferred in the transmit shift register, the status flag TXRDY is set in the SSC_SR and additional data can be loaded in the holding register.

Figure 41-11: Transmitter Block Diagram



41.8.3 Receiver Operations

A received frame is triggered by a start event and can be followed by synchronization data before data transmission.

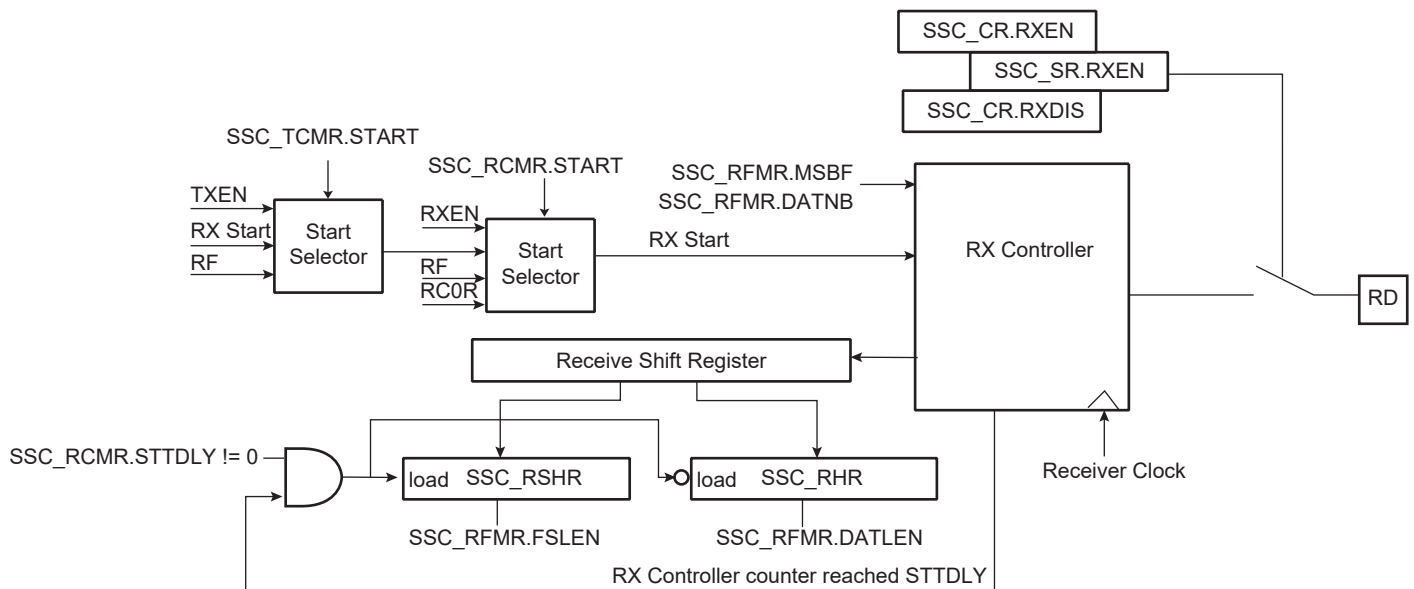
The start event is configured setting the Receive Clock Mode Register (SSC_RCMR). See [Section 41.8.4 Start](#).

The frame synchronization is configured setting the Receive Frame Mode Register (SSC_RFMR). See [Section 41.8.5 Frame Sync](#).

The receiver uses a shift register clocked by the receiver clock signal and the start mode selected in the SSC_RCMR. The data is transferred from the shift register depending on the data format selected.

When the receiver shift register is full, the SSC transfers this data in the holding register, the status flag RXRDY is set in the SSC_SR and the data can be read in the receiver holding register. If another transfer occurs before read of the Receive Holding Register (SSC_RHR), the status flag OVERUN is set in the SSC_SR and the receiver shift register is transferred in the SSC_RHR.

Figure 41-12: Receiver Block Diagram



SAMA5D3 SERIES

41.8.4 Start

The transmitter and receiver can both be programmed to start their operations when an event occurs, respectively in the Transmit Start Selection (START) field of SSC_TCMR and in the Receive Start Selection (START) field of SSC_RCMR.

Under the following conditions the start event is independently programmable:

- Continuous. In this case, the transmission starts as soon as a word is written in SSC_THR and the reception starts as soon as the Receiver is enabled.
- Synchronously with the transmitter/receiver
- On detection of a falling/rising edge on TF/RF
- On detection of a low level/high level on TF/RF
- On detection of a level change or an edge on TF/RF

A start can be programmed in the same manner on either side of the Transmit/Receive Clock Register (SSC_RCMR/SSC_TCMR). Thus, the start could be on TF (Transmit) or RF (Receive).

Moreover, the Receiver can start when data is detected in the bit stream with the Compare Functions.

Detection on TF/RF input/output is done by the field FSOS of the Transmit/Receive Frame Mode Register (SSC_TFMR/SSC_RFMR).

Figure 41-13: Transmit Start Mode

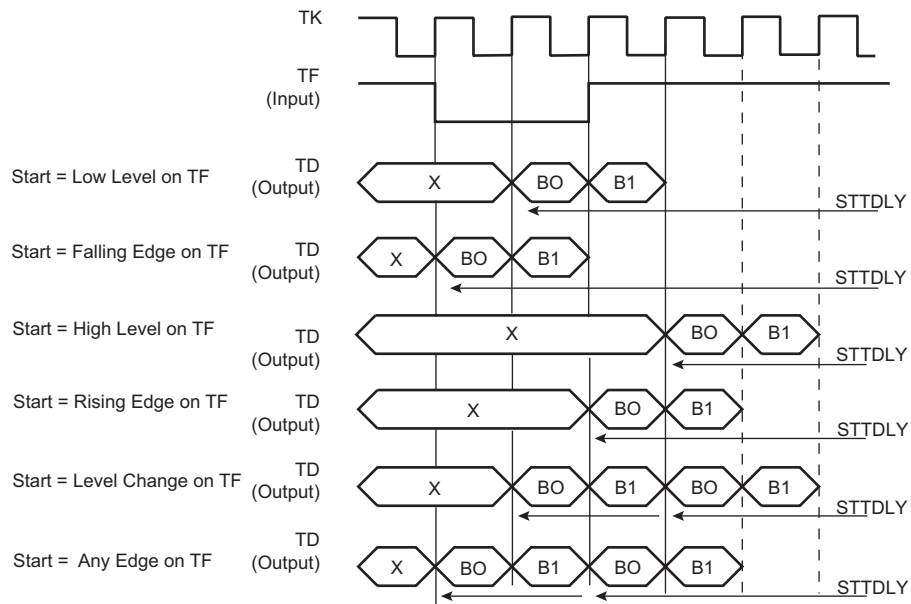
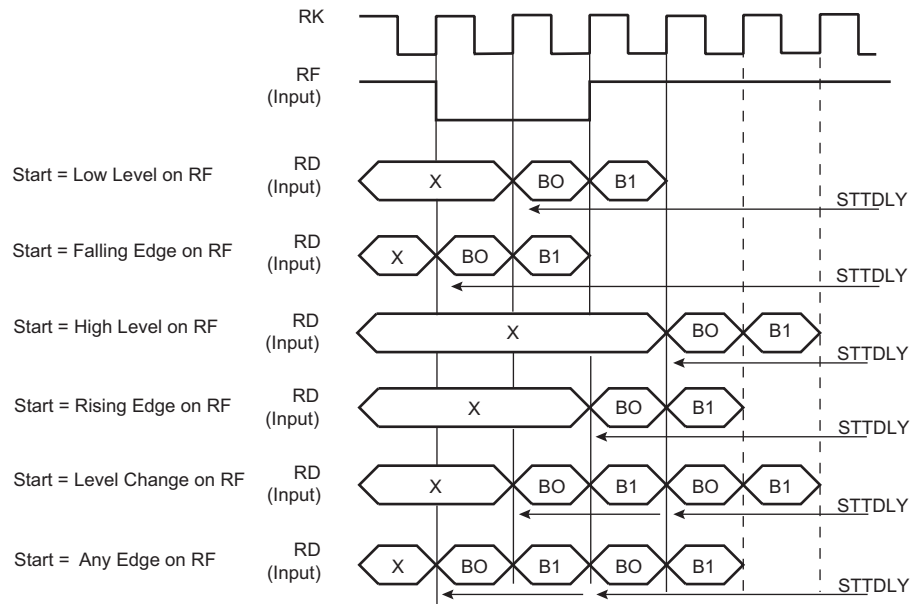


Figure 41-14: Receive Pulse/Edge Start Modes



SAMA5D3 SERIES

41.8.5 Frame Sync

The Transmitter and Receiver Frame Sync pins, TF and RF, can be programmed to generate different kinds of frame synchronization signals. The Frame Sync Output Selection (FSOS) field in the Receive Frame Mode Register (SSC_RFMR) and in the Transmit Frame Mode Register (SSC_TFMR) are used to select the required waveform.

- Programmable low or high levels during data transfer are supported.
- Programmable high levels before the start of data transfers or toggling are also supported.

If a pulse waveform is selected, the Frame Sync Length (FSLEN) field in SSC_RFMR and SSC_TFMR programs the length of the pulse, from 1 bit time up to 256 bit times.

The periodicity of the Receive and Transmit Frame Sync pulse output can be programmed through the Period Divider Selection (PERIOD) field in SSC_RCMR and SSC_TCMR.

41.8.5.1 Frame Sync Data

Frame Sync Data transmits or receives a specific tag during the Frame Sync signal.

During the Frame Sync signal, the Receiver can sample the RD line and store the data in the Receive Sync Holding Register and the transmitter can transfer Transmit Sync Holding Register in the shift register. The data length to be sampled/shifted out during the Frame Sync signal is programmed by the FSLEN field in SSC_RFMR/SSC_TFMR and has a maximum value of 256.

Concerning the Receive Frame Sync Data operation, if the Frame Sync Length is equal to or lower than the delay between the start event and the actual data reception, the data sampling operation is performed in the Receive Sync Holding Register through the receive shift register.

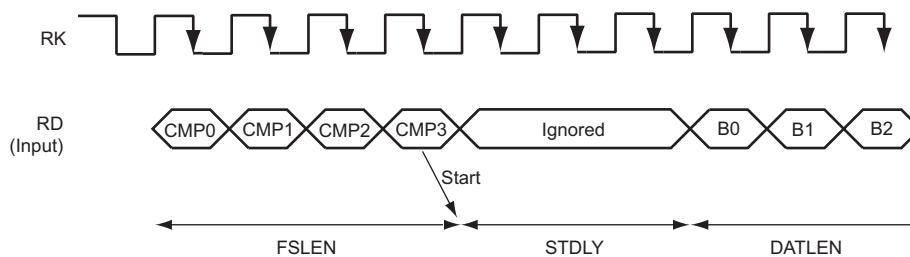
The Transmit Frame Sync Operation is performed by the transmitter only if the bit Frame Sync Data Enable (FSDEN) in SSC_TFMR is set. If the Frame Sync length is equal to or lower than the delay between the start event and the actual data transmission, the normal transmission has priority and the data contained in the Transmit Sync Holding Register is transferred in the Transmit Register, then shifted out.

41.8.5.2 Frame Sync Edge Detection

The Frame Sync Edge detection is programmed by the FSEDGE field in SSC_RFMR/SSC_TFMR. This sets the corresponding flags RXSYN/TXSYN in the SSC Status Register (SSC_SR) on frame synchro edge detection (signals RF/TF).

41.8.6 Receive Compare Modes

Figure 41-15: Receive Compare Modes



41.8.6.1 Compare Functions

The length of the comparison patterns (Compare 0, Compare 1) and thus the number of bits they are compared to is defined by FSLEN, but with a maximum value of 256 bits. Comparison is always done by comparing the last bits received with the comparison pattern. Compare 0 can be one start event of the Receiver. In this case, the receiver compares at each new sample the last bits received at the Compare 0 pattern contained in the Compare 0 Register (SSC_RC0R). When this start event is selected, the user can program the Receiver to start a new data transfer either by writing a new Compare 0, or by receiving continuously until Compare 1 occurs. This selection is done with the STOP bit in the SSC_RCMR.

41.8.7 Data Format

The data framing format of both the transmitter and the receiver are programmable through the Transmitter Frame Mode Register (SSC_TFMR) and the Receiver Frame Mode Register (SSC_RFMR). In either case, the user can independently select the following parameters:

- Event that starts the data transfer (START)
- Delay in number of bit periods between the start event and the first data bit (STTDLY)

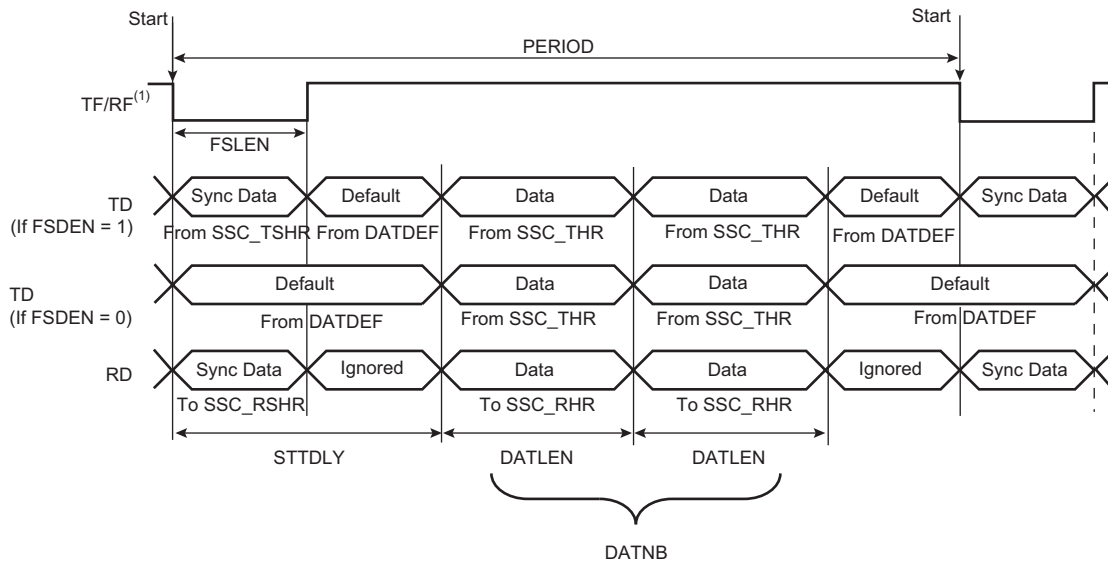
- Length of the data (DATLEN)
- Number of data to be transferred for each start event (DATNB)
- Length of synchronization transferred for each start event (FSLEN)
- Bit sense: most or lowest significant bit first (MSBF)

Additionally, the transmitter can be used to transfer synchronization and select the level driven on the TD pin while not in data transfer operation. This is done respectively by the Frame Sync Data Enable (FSDEN) and by the Data Default Value (DATDEF) bits in SSC_TFMR.

Table 41-4: Data Frame Registers

Transmitter	Receiver	Field	Length	Comment
SSC_TFMR	SSC_RFMR	DATLEN	Up to 32	Size of word
SSC_TFMR	SSC_RFMR	DATNB	Up to 16	Number of words transmitted in frame
SSC_TFMR	SSC_RFMR	MSBF	–	Most significant bit first
SSC_TFMR	SSC_RFMR	FSLEN	Up to 256	Size of Synchro data register
SSC_TFMR	–	DATDEF	0 or 1	Data default value ended
SSC_TFMR	–	FSDEN	–	Enable send SSC_TSHR
SSC_TCMR	SSC_RCMR	PERIOD	Up to 512	Frame size
SSC_TCMR	SSC_RCMR	STTDLY	Up to 255	Size of transmit start delay

Figure 41-16: Transmit and Receive Frame Format in Edge/Pulse Start Modes



Note: 1. Example of input on falling edge of TF/RF.

In the example illustrated in [Figure 41-17 Transmit Frame Format in Continuous Mode \(STTDLY = 0\)](#), the SSC_THR is loaded twice. The FSDEN value has no effect on the transmission. SyncData cannot be output in continuous mode.

SAMA5D3 SERIES

Figure 41-17: Transmit Frame Format in Continuous Mode (STTDLY = 0)

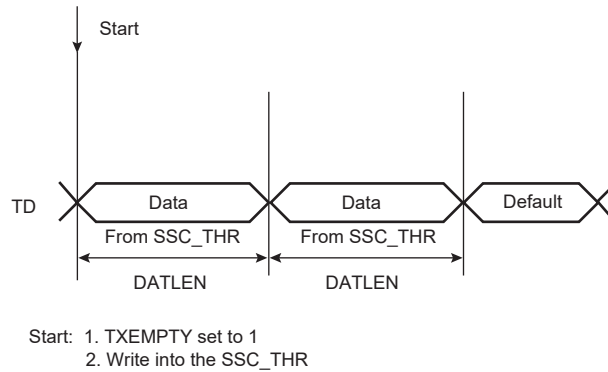
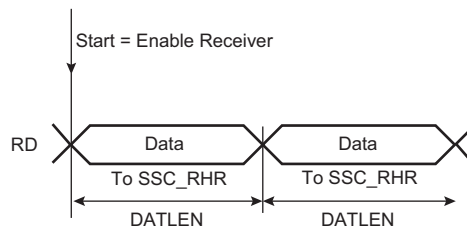


Figure 41-18: Receive Frame Format in Continuous Mode (STTDLY = 0)



41.8.8 Loop Mode

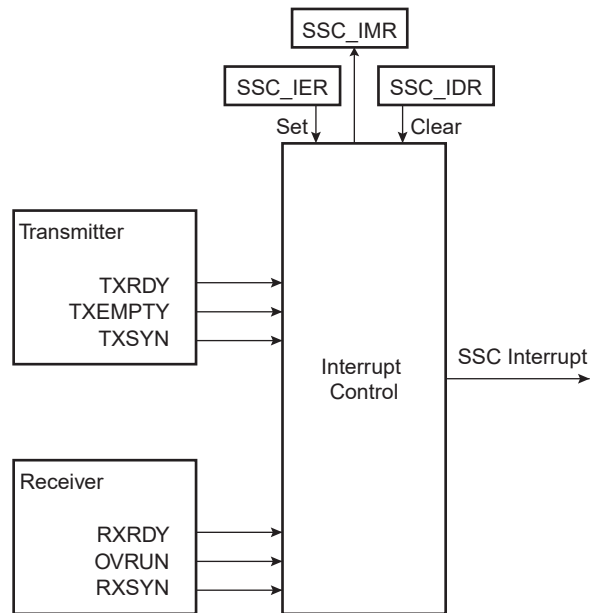
The receiver can be programmed to receive transmissions from the transmitter. This is done by setting the Loop Mode (LOOP) bit in the SSC_RFMR. In this case, RD is connected to TD, RF is connected to TF and RK is connected to TK.

41.8.9 Interrupt

Most bits in the SSC_SR have a corresponding bit in interrupt management registers.

The SSC can be programmed to generate an interrupt when it detects an event. The interrupt is controlled by writing the Interrupt Enable Register (SSC_IER) and Interrupt Disable Register (SSC_IDR). These registers enable and disable, respectively, the corresponding interrupt by setting and clearing the corresponding bit in the Interrupt Mask Register (SSC_IMR), which controls the generation of interrupts by asserting the SSC interrupt line connected to the interrupt controller.

Figure 41-19: Interrupt Block Diagram



41.8.10 Register Write Protection

To prevent any single software error from corrupting AIC behavior, certain registers in the address space can be write-protected by setting the WPEN bit in the [SSC Write Protection Mode Register](#) (SSC_WPMR).

If a write access to a write-protected register is detected, the WPVS flag in the [SSC Write Protection Status Register](#) (SSC_WPSR) is set and the field WPVSR indicates the register in which the write access has been attempted.

The WPVS bit is automatically cleared after reading the SSC_WPSR.

The following registers can be write-protected:

- [SSC Clock Mode Register](#)
- [SSC Receive Clock Mode Register](#)
- [SSC Receive Frame Mode Register](#)
- [SSC Transmit Clock Mode Register](#)
- [SSC Transmit Frame Mode Register](#)
- [SSC Receive Compare 0 Register](#)
- [SSC Receive Compare 1 Register](#)

41.9 Synchronous Serial Controller (SSC) User Interface

Table 41-5: Register Mapping

Offset	Register	Name	Access	Reset
0x0	Control Register	SSC_CR	Write-only	–
0x4	Clock Mode Register	SSC_CMR	Read/Write	0x0
0x8–0xC	Reserved	–	–	–
0x10	Receive Clock Mode Register	SSC_RCMR	Read/Write	0x0
0x14	Receive Frame Mode Register	SSC_RFMR	Read/Write	0x0
0x18	Transmit Clock Mode Register	SSC_TCMR	Read/Write	0x0
0x1C	Transmit Frame Mode Register	SSC_TFMR	Read/Write	0x0
0x20	Receive Holding Register	SSC_RHR	Read-only	0x0
0x24	Transmit Holding Register	SSC_THR	Write-only	–
0x28–0x2C	Reserved	–	–	–
0x30	Receive Sync. Holding Register	SSC_RSHR	Read-only	0x0
0x34	Transmit Sync. Holding Register	SSC_TSHR	Read/Write	0x0
0x38	Receive Compare 0 Register	SSC_RC0R	Read/Write	0x0
0x3C	Receive Compare 1 Register	SSC_RC1R	Read/Write	0x0
0x40	Status Register	SSC_SR	Read-only	0x000000CC
0x44	Interrupt Enable Register	SSC_IER	Write-only	–
0x48	Interrupt Disable Register	SSC_IDR	Write-only	–
0x4C	Interrupt Mask Register	SSC_IMR	Read-only	0x0
0x50–0xE0	Reserved	–	–	–
0xE4	Write Protection Mode Register	SSC_WPMR	Read/Write	0x0
0xE8	Write Protection Status Register	SSC_WPSR	Read-only	0x0
0xEC–0xFC	Reserved	–	–	–
0x100–0x124	Reserved	–	–	–

SAMA5D3 SERIES

41.9.1 SSC Control Register

Name:SSC_CR

Address:0xF0008000 (0), 0xF800C000 (1)

Access:Write-only

31	30	29	28	27	26	25	24
–	–	–	–	–	–	–	–
23	22	21	20	19	18	17	16
–	–	–	–	–	–	–	–
15	14	13	12	11	10	9	8
SWRST	–	–	–	–	–	TXDIS	TXEN
7	6	5	4	3	2	1	0
–	–	–	–	–	–	RXDIS	RXEN

RXEN: Receive Enable

0: No effect.

1: Enables Receive if RXDIS is not set.

RXDIS: Receive Disable

0: No effect.

1: Disables Receive. If a character is currently being received, disables at end of current character reception.

TXEN: Transmit Enable

0: No effect.

1: Enables Transmit if TXDIS is not set.

TXDIS: Transmit Disable

0: No effect.

1: Disables Transmit. If a character is currently being transmitted, disables at end of current character transmission.

SWRST: Software Reset

0: No effect.

1: Performs a software reset. Has priority on any other bit in SSC_CR.

41.9.2 SSC Clock Mode Register

Name:SSC_CMR

Address:0xF0008004 (0), 0xF800C004 (1)

Access:Read/Write

31	30	29	28	27	26	25	24
–	–	–	–	–	–	–	–
23	22	21	20	19	18	17	16
–	–	–	–	–	–	–	–
15	14	13	12	11	10	9	8
–	–	–	–	DIV			
7	6	5	4	3	2	1	0
DIV							

This register can only be written if the WPEN bit is cleared in the [SSC Write Protection Mode Register](#).

DIV: Clock Divider

0: The Clock Divider is not active.

Any other value: The divided clock equals the peripheral clock divided by 2 times DIV.

The maximum bit rate is $f_{\text{peripheral clock}}/2$. The minimum bit rate is $f_{\text{peripheral clock}}/2 \times 4095 = f_{\text{peripheral clock}}/8190$.

SAMA5D3 SERIES

41.9.3 SSC Receive Clock Mode Register

Name: SSC_RCMR

Address: 0xF0008010 (0), 0xF800C010 (1)

Access: Read/Write

31	30	29	28	27	26	25	24	
PERIOD								
23	22	21	20	19	18	17	16	
STTDLY								
15	14	13	12	11	10	9	8	
-	-	-	STOP	START				
7	6	5	4	3	2	1	0	
CKG		CKI	CKO			CKS		

This register can only be written if the WPEN bit is cleared in the [SSC Write Protection Mode Register](#).

CKS: Receive Clock Selection

Value	Name	Description
0	MCK	Divided Clock
1	TK	TK Clock signal
2	RK	RK pin

CKO: Receive Clock Output Mode Selection

Value	Name	Description
0	NONE	None, RK pin is an input
1	CONTINUOUS	Continuous Receive Clock, RK pin is an output
2	TRANSFER	Receive Clock only during data transfers, RK pin is an output

CKI: Receive Clock Inversion

0: The data inputs (Data and Frame Sync signals) are sampled on Receive Clock falling edge. The Frame Sync signal output is shifted out on Receive Clock rising edge.

1: The data inputs (Data and Frame Sync signals) are sampled on Receive Clock rising edge. The Frame Sync signal output is shifted out on Receive Clock falling edge.

CKI affects only the Receive Clock and not the output clock signal.

CKG: Receive Clock Gating Selection

Value	Name	Description
0	CONTINUOUS	None
1	EN_RF_LOW	Receive Clock enabled only if RF Low
2	EN_RF_HIGH	Receive Clock enabled only if RF High

START: Receive Start Selection

Value	Name	Description
0	CONTINUOUS	Continuous, as soon as the receiver is enabled, and immediately after the end of transfer of the previous data.
1	TRANSMIT	Transmit start
2	RF_LOW	Detection of a low level on RF signal
3	RF_HIGH	Detection of a high level on RF signal
4	RF_FALLING	Detection of a falling edge on RF signal
5	RF_RISING	Detection of a rising edge on RF signal
6	RF_LEVEL	Detection of any level change on RF signal
7	RF_EDGE	Detection of any edge on RF signal
8	CMP_0	Compare 0

STOP: Receive Stop Selection

0: After completion of a data transfer when starting with a Compare 0, the receiver stops the data transfer and waits for a new compare 0.

1: After starting a receive with a Compare 0, the receiver operates in a continuous mode until a Compare 1 is detected.

STTDLY: Receive Start Delay

If STTDLY is not 0, a delay of STTDLY clock cycles is inserted between the start event and the actual start of reception. When the Receiver is programmed to start synchronously with the Transmitter, the delay is also applied.

Note: It is very important that STTDLY be set carefully. If STTDLY must be set, it should be done in relation to TAG (Receive Sync Data) reception.

PERIOD: Receive Period Divider Selection

This field selects the divider to apply to the selected Receive Clock in order to generate a new Frame Sync Signal. If 0, no PERIOD signal is generated. If not 0, a PERIOD signal is generated each $2 \times (\text{PERIOD} + 1)$ Receive Clock.

SAMA5D3 SERIES

41.9.4 SSC Receive Frame Mode Register

Name:SSC_RFMR

Address:0xF0008014 (0), 0xF800C014 (1)

Access:Read/Write

31	30	29	28	27	26	25	24
FSLEN_EXT				-	-	-	FSEDGE
23	22	21	20	19	18	17	16
-	FSOS			FSLEN			
15	14	13	12	11	10	9	8
-	-	-	-	DATNB			
7	6	5	4	3	2	1	0
MSBF	-	LOOP	DATLEN				

This register can only be written if the WPEN bit is cleared in the [SSC Write Protection Mode Register](#).

DATLEN: Data Length

0: Forbidden value (1-bit data length not supported).

Any other value: The bit stream contains DATLEN + 1 data bits.

LOOP: Loop Mode

0: Normal operating mode.

1: RD is driven by TD, RF is driven by TF and TK drives RK.

MSBF: Most Significant Bit First

0: The lowest significant bit of the data register is sampled first in the bit stream.

1: The most significant bit of the data register is sampled first in the bit stream.

DATNB: Data Number per Frame

This field defines the number of data words to be received after each transfer start, which is equal to (DATNB + 1).

FSLEN: Receive Frame Sync Length

This field defines the number of bits sampled and stored in the Receive Sync Data Register. When this mode is selected by the START field in the Receive Clock Mode Register, it also determines the length of the sampled data to be compared to the Compare 0 or Compare 1 register.

This field is used with FSLEN_EXT to determine the pulse length of the Receive Frame Sync signal.

Pulse length is equal to FSLEN + (FSLEN_EXT × 16) + 1 Receive Clock periods.

FSOS: Receive Frame Sync Output Selection

Value	Name	Description
0	NONE	None, RF pin is an input
1	NEGATIVE	Negative Pulse, RF pin is an output
2	POSITIVE	Positive Pulse, RF pin is an output
3	LOW	Driven Low during data transfer, RF pin is an output
4	HIGH	Driven High during data transfer, RF pin is an output
5	TOGGLING	Toggling at each start of data transfer, RF pin is an output

FSEDGE: Frame Sync Edge Detection

Determines which edge on Frame Sync will generate the interrupt RXSYN in the SSC Status Register.

Value	Name	Description
0	POSITIVE	Positive Edge Detection
1	NEGATIVE	Negative Edge Detection

FSLEN_EXT: FSLEN Field Extension

Extends FSLEN field. For details, refer to FSLEN bit description on [page 1282](#).

SAMA5D3 SERIES

41.9.5 SSC Transmit Clock Mode Register

Name: SSC_TCMR

Address: 0xF0008018 (0), 0xF800C018 (1)

Access: Read/Write

31	30	29	28	27	26	25	24
PERIOD							
23	22	21	20	19	18	17	16
STTDLY							
15	14	13	12	11	10	9	8
–	–	–	–	START			
7	6	5	4	3	2	1	0
CKG		CKI	CKO			CKS	

This register can only be written if the WPEN bit is cleared in the [SSC Write Protection Mode Register](#).

CKS: Transmit Clock Selection

Value	Name	Description
0	MCK	Divided Clock
1	RK	RK Clock signal
2	TK	TK pin

CKO: Transmit Clock Output Mode Selection

Value	Name	Description
0	NONE	None, TK pin is an input
1	CONTINUOUS	Continuous Transmit Clock, TK pin is an output
2	TRANSFER	Transmit Clock only during data transfers, TK pin is an output

CKI: Transmit Clock Inversion

0: The data outputs (Data and Frame Sync signals) are shifted out on Transmit Clock falling edge. The Frame sync signal input is sampled on Transmit clock rising edge.

1: The data outputs (Data and Frame Sync signals) are shifted out on Transmit Clock rising edge. The Frame sync signal input is sampled on Transmit clock falling edge.

CKI affects only the Transmit Clock and not the output clock signal.

CKG: Transmit Clock Gating Selection

Value	Name	Description
0	CONTINUOUS	None
1	EN_TF_LOW	Transmit Clock enabled only if TF Low
2	EN_TF_HIGH	Transmit Clock enabled only if TF High

START: Transmit Start Selection

Value	Name	Description
0	CONTINUOUS	Continuous, as soon as a word is written in the SSC_THR (if Transmit is enabled), and immediately after the end of transfer of the previous data
1	RECEIVE	Receive start
2	TF_LOW	Detection of a low level on TF signal
3	TF_HIGH	Detection of a high level on TF signal
4	TF_FALLING	Detection of a falling edge on TF signal
5	TF_RISING	Detection of a rising edge on TF signal
6	TF_LEVEL	Detection of any level change on TF signal
7	TF_EDGE	Detection of any edge on TF signal

STTDLY: Transmit Start Delay

If STTDLY is not 0, a delay of STTDLY clock cycles is inserted between the start event and the actual start of transmission of data. When the Transmitter is programmed to start synchronously with the Receiver, the delay is also applied.

Note: Note: STTDLY must be set carefully. If STTDLY is too short in respect to TAG (Transmit Sync Data) emission, data is emitted instead of the end of TAG.

PERIOD: Transmit Period Divider Selection

This field selects the divider to apply to the selected Transmit Clock to generate a new Frame Sync Signal. If 0, no period signal is generated. If not 0, a period signal is generated at each $2 \times (\text{PERIOD} + 1)$ Transmit Clock.

SAMA5D3 SERIES

41.9.6 SSC Transmit Frame Mode Register

Name:SSC_TFMR

Address:0xF000801C (0), 0xF800C01C (1)

Access:Read/Write

31	30	29	28	27	26	25	24
FSLEN_EXT				–	–	–	FSEDGE
23	22	21	20	19	18	17	16
FSDEN	FSOS			FSLEN			
15	14	13	12	11	10	9	8
–	–	–	–	DATNB			
7	6	5	4	3	2	1	0
MSBF	–	DATDEF	DATLEN				

This register can only be written if the WPEN bit is cleared in the [SSC Write Protection Mode Register](#).

DATLEN: Data Length

0: Forbidden value (1-bit data length not supported).

Any other value: The bit stream contains DATLEN + 1 data bits. .

DATDEF: Data Default Value

This bit defines the level driven on the TD pin while out of transmission. Note that if the pin is defined as multi-drive by the PIO Controller, the pin is enabled only if the SCC TD output is 1.

MSBF: Most Significant Bit First

0: The lowest significant bit of the data register is shifted out first in the bit stream.

1: The most significant bit of the data register is shifted out first in the bit stream.

DATNB: Data Number per Frame

This field defines the number of data words to be transferred after each transfer start, which is equal to (DATNB + 1).

FSLEN: Transmit Frame Sync Length

This field defines the length of the Transmit Frame Sync signal and the number of bits shifted out from the Transmit Sync Data Register if FSDEN is 1.

This field is used with FSLEN_EXT to determine the pulse length of the Transmit Frame Sync signal.

Pulse length is equal to FSLEN + (FSLEN_EXT × 16) + 1 Transmit Clock period.

FSOS: Transmit Frame Sync Output Selection

Value	Name	Description
0	NONE	None, TF pin is an input
1	NEGATIVE	Negative Pulse, TF pin is an output
2	POSITIVE	Positive Pulse, TF pin is an output
3	LOW	Driven Low during data transfer
4	HIGH	Driven High during data transfer
5	TOGGLING	Toggling at each start of data transfer

FSDEN: Frame Sync Data Enable

0: The TD line is driven with the default value during the Transmit Frame Sync signal.

1: SSC_TSHR value is shifted out during the transmission of the Transmit Frame Sync signal.

FSEDGE: Frame Sync Edge Detection

Determines which edge on frame sync will generate the interrupt TXSYN (Status Register).

Value	Name	Description
0	POSITIVE	Positive Edge Detection
1	NEGATIVE	Negative Edge Detection

FSLEN_EXT: FSLEN Field Extension

Extends FSLEN field. For details, refer to FSLEN bit description on [page 1286](#).

SAMA5D3 SERIES

41.9.7 SSC Receive Holding Register

Name:SSC_RHR

Address:0xF0008020 (0), 0xF800C020 (1)

Access:Read-only

31	30	29	28	27	26	25	24
RDAT							
23	22	21	20	19	18	17	16
RDAT							
15	14	13	12	11	10	9	8
RDAT							
7	6	5	4	3	2	1	0
RDAT							

RDAT: Receive Data

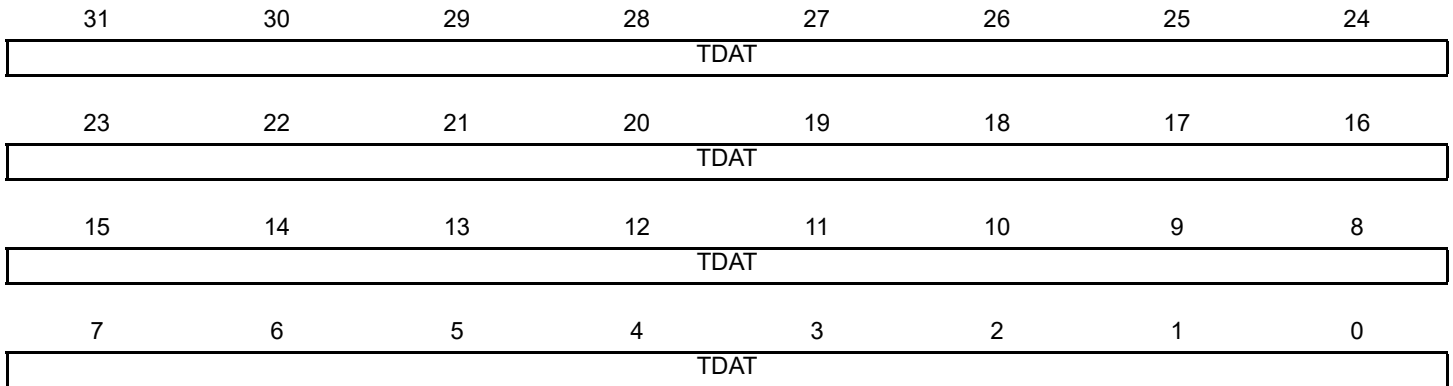
Right aligned regardless of the number of data bits defined by DATLEN in SSC_RFMR.

41.9.8 SSC Transmit Holding Register

Name:SSC_THR

Address:0xF0008024 (0), 0xF800C024 (1)

Access:Write-only



TDAT: Transmit Data

Right aligned regardless of the number of data bits defined by DATLEN in SSC_TFMR.

SAMA5D3 SERIES

41.9.9 SSC Receive Synchronization Holding Register

Name:SSC_RSHR

Address:0xF0008030 (0), 0xF800C030 (1)

Access:Read-only

31	30	29	28	27	26	25	24
–	–	–	–	–	–	–	–
23	22	21	20	19	18	17	16
–	–	–	–	–	–	–	–
15	14	13	12	11	10	9	8
RSDAT							
7	6	5	4	3	2	1	0
RSDAT							

RSDAT: Receive Synchronization Data

41.9.10 SSC Transmit Synchronization Holding Register

Name:SSC_TSHR

Address:0xF0008034 (0), 0xF800C034 (1)

Access:Read/Write

31	30	29	28	27	26	25	24
–	–	–	–	–	–	–	–
23	22	21	20	19	18	17	16
–	–	–	–	–	–	–	–
15	14	13	12	11	10	9	8
TSDAT							
7	6	5	4	3	2	1	0
TSDAT							

TSDAT: Transmit Synchronization Data

SAMA5D3 SERIES

41.9.11 SSC Receive Compare 0 Register

Name:SSC_RC0R

Address:0xF0008038 (0), 0xF800C038 (1)

Access:Read/Write

31	30	29	28	27	26	25	24
–	–	–	–	–	–	–	–
23	22	21	20	19	18	17	16
–	–	–	–	–	–	–	–
15	14	13	12	11	10	9	8
CP0							
7	6	5	4	3	2	1	0
CP0							

This register can only be written if the WPEN bit is cleared in the [SSC Write Protection Mode Register](#).

CP0: Receive Compare Data 0

41.9.12 SSC Receive Compare 1 Register

Name:SSC_RC1R

Address:0xF000803C (0), 0xF800C03C (1)

Access:Read/Write

31	30	29	28	27	26	25	24
–	–	–	–	–	–	–	–
23	22	21	20	19	18	17	16
–	–	–	–	–	–	–	–
15	14	13	12	11	10	9	8
CP1							
7	6	5	4	3	2	1	0
CP1							

This register can only be written if the WPEN bit is cleared in the [SSC Write Protection Mode Register](#).

CP1: Receive Compare Data 1

SAMA5D3 SERIES

41.9.13 SSC Status Register

Name:SSC_SR

Address:0xF0008040 (0), 0xF800C040 (1)

Access:Read-only

31	30	29	28	27	26	25	24
–	–	–	–	–	–	–	–
23	22	21	20	19	18	17	16
–	–	–	–	–	–	RXEN	TXEN
15	14	13	12	11	10	9	8
–	–	–	–	RXSYN	TXSYN	CP1	CP0
7	6	5	4	3	2	1	0
–	–	OVRUN	RXRDY	–	–	TXEMPTY	TXRDY

TXRDY: Transmit Ready

0: Data has been loaded in SSC_THR and is waiting to be loaded in the transmit shift register (TSR).

1: SSC_THR is empty.

TXEMPTY: Transmit Empty

0: Data remains in SSC_THR or is currently transmitted from TSR.

1: Last data written in SSC_THR has been loaded in TSR and last data loaded in TSR has been transmitted.

RXRDY: Receive Ready

0: SSC_RHR is empty.

1: Data has been received and loaded in SSC_RHR.

OVRUN: Receive Overrun

0: No data has been loaded in SSC_RHR while previous data has not been read since the last read of the Status Register.

1: Data has been loaded in SSC_RHR while previous data has not yet been read since the last read of the Status Register.

CP0: Compare 0

0: A compare 0 has not occurred since the last read of the Status Register.

1: A compare 0 has occurred since the last read of the Status Register.

CP1: Compare 1

0: A compare 1 has not occurred since the last read of the Status Register.

1: A compare 1 has occurred since the last read of the Status Register.

TXSYN: Transmit Sync

0: A Tx Sync has not occurred since the last read of the Status Register.

1: A Tx Sync has occurred since the last read of the Status Register.

RXSYN: Receive Sync

0: An Rx Sync has not occurred since the last read of the Status Register.

1: An Rx Sync has occurred since the last read of the Status Register.

TXEN: Transmit Enable

0: Transmit is disabled.

1: Transmit is enabled.

RXEN: Receive Enable

0: Receive is disabled.

1: Receive is enabled.

SAMA5D3 SERIES

41.9.14 SSC Interrupt Enable Register

Name:SSC_IER

Address:0xF0008044 (0), 0xF800C044 (1)

Access:Write-only

31	30	29	28	27	26	25	24
–	–	–	–	–	–	–	–
23	22	21	20	19	18	17	16
–	–	–	–	–	–	–	–
15	14	13	12	11	10	9	8
–	–	–	–	RXSYN	TXSYN	CP1	CP0
7	6	5	4	3	2	1	0
–	–	OVRUN	RXRDY	–	–	TXEMPTY	TXRDY

TXRDY: Transmit Ready Interrupt Enable

0: No effect.

1: Enables the Transmit Ready Interrupt.

TXEMPTY: Transmit Empty Interrupt Enable

0: No effect.

1: Enables the Transmit Empty Interrupt.

RXRDY: Receive Ready Interrupt Enable

0: No effect.

1: Enables the Receive Ready Interrupt.

OVRUN: Receive Overrun Interrupt Enable

0: No effect.

1: Enables the Receive Overrun Interrupt.

CP0: Compare 0 Interrupt Enable

0: No effect.

1: Enables the Compare 0 Interrupt.

CP1: Compare 1 Interrupt Enable

0: No effect.

1: Enables the Compare 1 Interrupt.

TXSYN: Tx Sync Interrupt Enable

0: No effect.

1: Enables the Tx Sync Interrupt.

RXSYN: Rx Sync Interrupt Enable

0: No effect.

1: Enables the Rx Sync Interrupt.

41.9.15 SSC Interrupt Disable Register

Name:SSC_IDR

Address:0xF0008048 (0), 0xF800C048 (1)

Access:Write-only

31	30	29	28	27	26	25	24
–	–	–	–	–	–	–	–
23	22	21	20	19	18	17	16
–	–	–	–	–	–	–	–
15	14	13	12	11	10	9	8
–	–	–	–	RXSYN	TXSYN	CP1	CP0
7	6	5	4	3	2	1	0
–	–	OVRUN	RXRDY	–	–	TXEMPTY	TXRDY

TXRDY: Transmit Ready Interrupt Disable

0: No effect.

1: Disables the Transmit Ready Interrupt.

TXEMPTY: Transmit Empty Interrupt Disable

0: No effect.

1: Disables the Transmit Empty Interrupt.

RXRDY: Receive Ready Interrupt Disable

0: No effect.

1: Disables the Receive Ready Interrupt.

OVRUN: Receive Overrun Interrupt Disable

0: No effect.

1: Disables the Receive Overrun Interrupt.

CP0: Compare 0 Interrupt Disable

0: No effect.

1: Disables the Compare 0 Interrupt.

CP1: Compare 1 Interrupt Disable

0: No effect.

1: Disables the Compare 1 Interrupt.

TXSYN: Tx Sync Interrupt Enable

0: No effect.

1: Disables the Tx Sync Interrupt.

RXSYN: Rx Sync Interrupt Enable

0: No effect.

1: Disables the Rx Sync Interrupt.

SAMA5D3 SERIES

41.9.16 SSC Interrupt Mask Register

Name:SSC_IMR

Address:0xF000804C (0), 0xF800C04C (1)

Access:Read-only

31	30	29	28	27	26	25	24
–	–	–	–	–	–	–	–
23	22	21	20	19	18	17	16
–	–	–	–	–	–	–	–
15	14	13	12	11	10	9	8
–	–	–	–	RXSYN	TXSYN	CP1	CP0
7	6	5	4	3	2	1	0
–	–	OVRUN	RXRDY	–	–	TXEMPTY	TXRDY

TXRDY: Transmit Ready Interrupt Mask

0: The Transmit Ready Interrupt is disabled.

1: The Transmit Ready Interrupt is enabled.

TXEMPTY: Transmit Empty Interrupt Mask

0: The Transmit Empty Interrupt is disabled.

1: The Transmit Empty Interrupt is enabled.

RXRDY: Receive Ready Interrupt Mask

0: The Receive Ready Interrupt is disabled.

1: The Receive Ready Interrupt is enabled.

OVRUN: Receive Overrun Interrupt Mask

0: The Receive Overrun Interrupt is disabled.

1: The Receive Overrun Interrupt is enabled.

CP0: Compare 0 Interrupt Mask

0: The Compare 0 Interrupt is disabled.

1: The Compare 0 Interrupt is enabled.

CP1: Compare 1 Interrupt Mask

0: The Compare 1 Interrupt is disabled.

1: The Compare 1 Interrupt is enabled.

TXSYN: Tx Sync Interrupt Mask

0: The Tx Sync Interrupt is disabled.

1: The Tx Sync Interrupt is enabled.

RXSYN: Rx Sync Interrupt Mask

0: The Rx Sync Interrupt is disabled.

1: The Rx Sync Interrupt is enabled.

41.9.17 SSC Write Protection Mode Register

Name:SSC_WPMR

Address:0xF00080E4 (0), 0xF800C0E4 (1)

Access:Read/Write

31	30	29	28	27	26	25	24
WPKEY							
23	22	21	20	19	18	17	16
WPKEY							
15	14	13	12	11	10	9	8
WPKEY							
7	6	5	4	3	2	1	0
–	–	–	–	–	–	–	WPEN

WPEN: Write Protection Enable

0: Disables the write protection if WPKEY corresponds to 0x535343 (“SSC” in ASCII).

1: Enables the write protection if WPKEY corresponds to 0x535343 (“SSC” in ASCII).

See [Section 41.8.10 Register Write Protection](#) for the list of registers that can be protected.

WPKEY: Write Protection Key

Value	Name	Description
0x535343	PASSWD	Writing any other value in this field aborts the write operation of the WPEN bit. Always reads as 0.

SAMA5D3 SERIES

41.9.18 SSC Write Protection Status Register

Name:SSC_WPSR

Address:0xF00080E8 (0), 0xF800C0E8 (1)

Access:Read-only

31	30	29	28	27	26	25	24
–	–	–	–	–	–	–	–
23	22	21	20	19	18	17	16
WPVSRC							
15	14	13	12	11	10	9	8
WPVSRC							
7	6	5	4	3	2	1	0
–	–	–	–	–	–	–	WPVS

WPVS: Write Protection Violation Status

0: No write protection violation has occurred since the last read of the SSC_WPSR.

1: A write protection violation has occurred since the last read of the SSC_WPSR. If this violation is an unauthorized attempt to write a protected register, the associated violation is reported into field WPVSRC.

WPVSRC: Write Protect Violation Source

When WPVS = 1, WPVSRC indicates the register address offset at which a write access has been attempted.

42. Debug Unit (DBGU)

42.1 Description

The Debug Unit (DBGU) provides a single entry point from the processor for access to all the debug capabilities of Microchip ARM-based systems.

The Debug Unit features a two-pin UART that can be used for several debug and trace purposes and offers an ideal medium for in-situ programming solutions and debug monitor communications. The Debug Unit two-pin UART can be used stand-alone for general purpose serial communication. Moreover, the association with DMA controller channels permits packet handling for these tasks with processor time reduced to a minimum.

The Debug Unit also makes the Debug Communication Channel (DCC) signals provided by the In-circuit Emulator of the ARM processor visible to the software. These signals indicate the status of the DCC read and write registers and generate an interrupt to the ARM processor, making possible the handling of the DCC under interrupt control.

Chip Identifier registers permit recognition of the device and its revision. These registers indicate the sizes and types of the on-chip memories, as well as the set of embedded peripherals.

Finally, the Debug Unit features a Force NTRST capability that enables the software to decide whether to prevent access to the system via the In-circuit Emulator. This permits protection of the code, stored in ROM.

42.2 Embedded Characteristics

- System Peripheral to Facilitate Debug of Microchip ARM-based Systems
- Composed of Four Functions
 - Two-pin UART
 - Debug Communication Channel (DCC) Support
 - Chip ID Registers
 - ICE Access Prevention
- Two-pin UART
 - Implemented Features are USART Compatible
 - Independent Receiver and Transmitter with a Common Programmable Baud Rate Generator
 - Even, Odd, Mark or Space Parity Generation
 - Parity, Framing and Overrun Error Detection
 - Automatic Echo, Local Loopback and Remote Loopback Channel Modes
 - Interrupt Generation
 - Support for Two DMA Channels with Connection to Receiver and Transmitter
- Debug Communication Channel Support
 - Offers Visibility of COMMRX and COMMTX Signals from the ARM Processor
 - Interrupt Generation
- Chip ID Registers
 - Identification of the Device Revision, Sizes of the Embedded Memories, Set of Peripherals
- ICE Access Prevention
 - Enables Software to Prevent System Access Through the ARM Processor's ICE
 - Prevention is Made by Asserting the NTRST Line of the ARM Processor's ICE

SAMA5D3 SERIES

42.3 Block Diagram

Figure 42-1: Debug Unit Functional Block Diagram

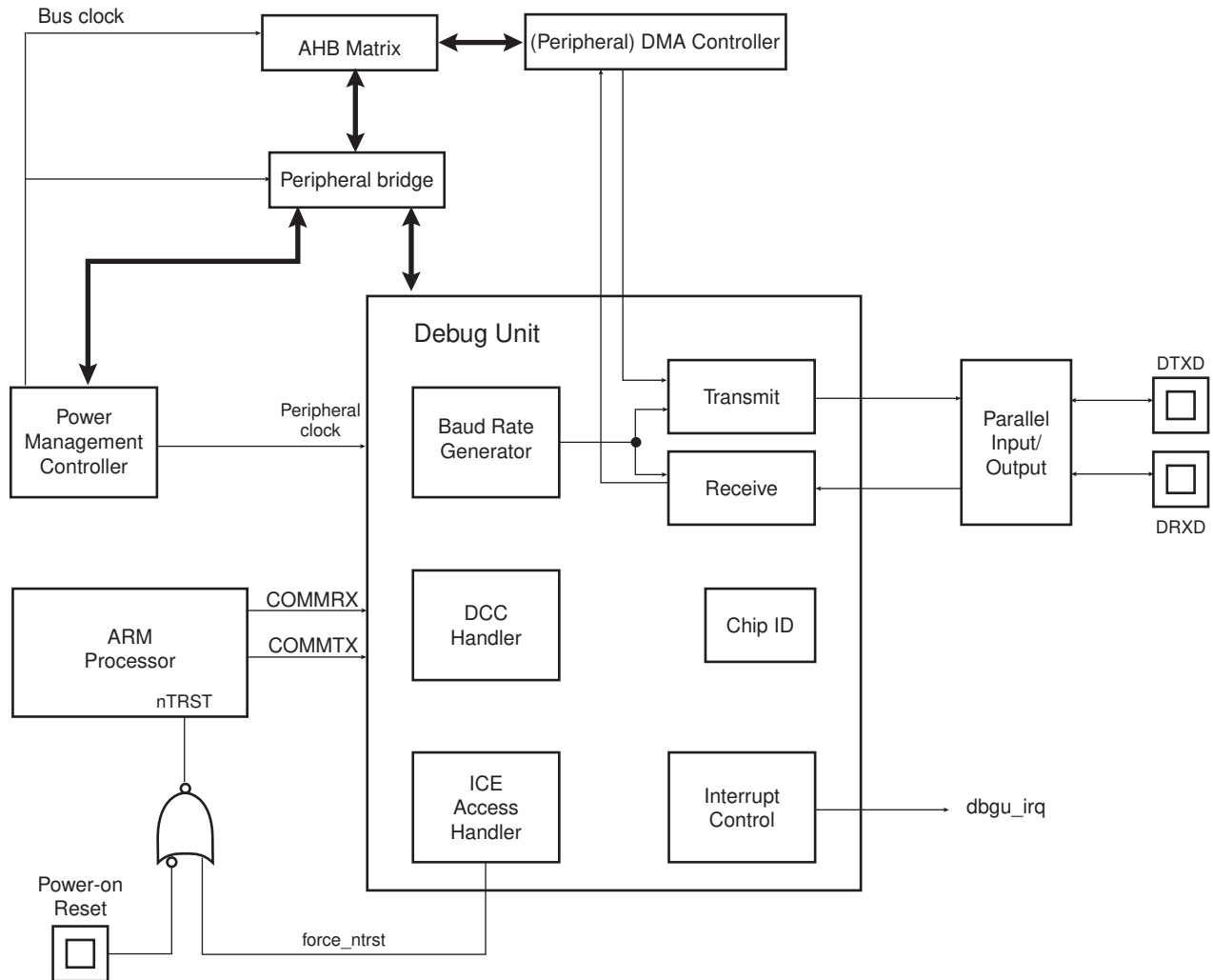
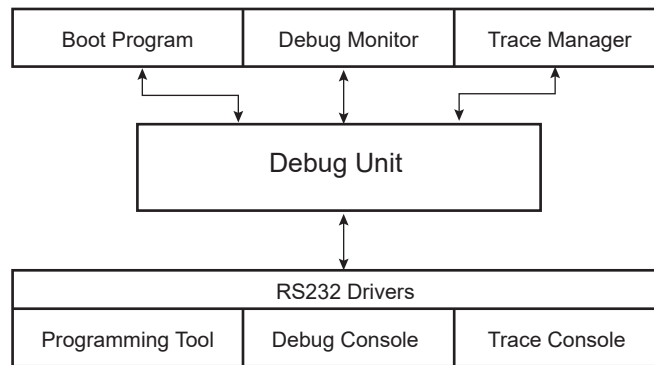


Table 42-1: Debug Unit Pin Description

Pin Name	Description	Type
DRXD	Debug Receive Data	Input
DTXD	Debug Transmit Data	Output

Figure 42-2: Debug Unit Application Example



42.4 Product Dependencies

42.4.1 I/O Lines

Depending on product integration, the Debug Unit pins may be multiplexed with PIO lines. In this case, the programmer must first configure the corresponding PIO Controller to enable I/O lines operations of the Debug Unit.

Table 42-2: I/O Lines

Instance	Signal	I/O Line	Peripheral
DBGU	DRXD	PB30	A
DBGU	DTXD	PB31	A

42.4.2 Power Management

Depending on product integration, the Debug Unit clock may be controllable through the Power Management Controller. In this case, the programmer must first configure the PMC to enable the Debug Unit clock. Usually, the peripheral identifier used for this purpose is 1.

42.4.3 Interrupt Source

Depending on product integration, the Debug Unit interrupt line is connected to one of the interrupt sources of the Advanced Interrupt Controller. Interrupt handling requires programming of the AIC before configuring the Debug Unit. Usually, the Debug Unit interrupt line connects to the interrupt source 1 of the AIC, which may be shared with the real-time clock, the system timer interrupt lines and other system peripheral interrupts, as shown in [Figure 42-1](#). This sharing requires the programmer to determine the source of the interrupt when the source 1 is triggered.

42.5 UART Operations

The Debug Unit operates as a UART, (asynchronous mode only) and supports only 8-bit character handling (with parity). It has no clock pin.

The Debug Unit's UART is made up of a receiver and a transmitter that operate independently, and a common baud rate generator. Receiver timeout and transmitter time guard are not implemented. However, all the implemented features are compatible with those of a standard USART.

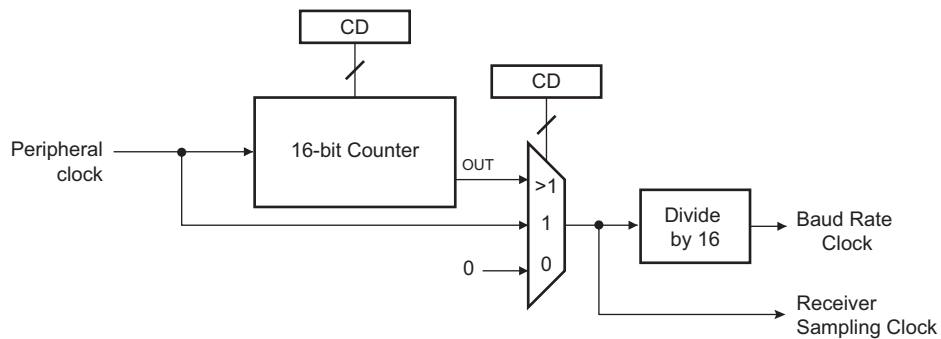
42.5.1 Baud Rate Generator

The baud rate generator provides the bit period clock named baud rate clock to both the receiver and the transmitter.

The baud rate clock is the peripheral clock divided by 16 times the value (CD) written in the Debug Unit Baud Rate Generator register (DBGU_BRGR). If DBGU_BRGR is set to 0, the baud rate clock is disabled and the Debug Unit's UART remains inactive. The maximum allowable baud rate is peripheral clock divided by 16. The minimum allowable baud rate is peripheral clock divided by (16 x 65536).

$$\text{Baud Rate} = \frac{f_{\text{peripheral clock}}}{16 \times \text{CD}}$$

Figure 42-3: Baud Rate Generator



42.5.2 Receiver

42.5.2.1 Receiver Reset, Enable and Disable

After device reset, the Debug Unit receiver is disabled and must be enabled before being used. The receiver can be enabled by writing one to the RXEN bit in the Debug Unit Control register (DBGU_CR). At this command, the receiver starts looking for a start bit.

The programmer can disable the receiver by writing a one to the RXDIS bit in the DBGU_CR. If the receiver is waiting for a start bit, it is immediately stopped. However, if the receiver has already detected a start bit and is receiving the data, it waits for the stop bit before actually stopping its operation.

The programmer can also put the receiver in its reset state by writing a one to the RSTRX bit in the DBGU_CR. In doing so, the receiver immediately stops its current operations and is disabled, whatever its current state. If RSTRX is applied when data is being processed, this data is lost.

42.5.2.2 Start Detection and Data Sampling

The Debug Unit only supports asynchronous operations, and this affects only its receiver. The Debug Unit receiver detects the start of a received character by sampling the DRXD signal until it detects a valid start bit. A low level (space) on DRXD is interpreted as a valid start bit if it is detected for more than 7 cycles of the sampling clock, which is 16 times the baud rate. Hence, a space that is longer than 7/16 of the bit period is detected as a valid start bit. A space which is 7/16 of a bit period or shorter is ignored and the receiver continues to wait for a valid start bit.

When a valid start bit has been detected, the receiver samples the DRXD at the theoretical midpoint of each bit. It is assumed that each bit lasts 16 cycles of the sampling clock (1-bit period) so the bit sampling point is eight cycles (0.5-bit period) after the start of the bit. The first sampling point is therefore 24 cycles (1.5-bit periods) after the falling edge of the start bit was detected.

Each subsequent bit is sampled 16 cycles (1-bit period) after the previous one.

Figure 42-4: Start Bit Detection

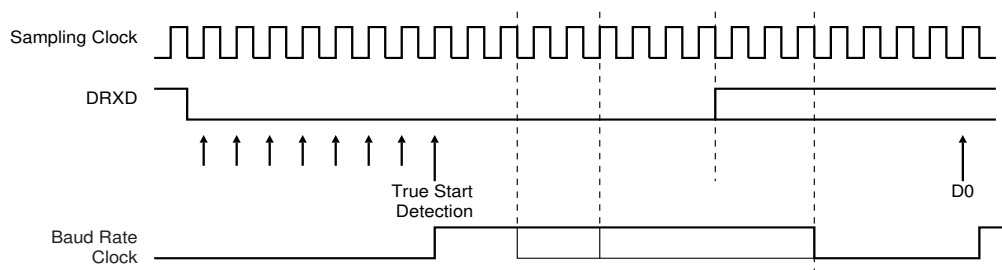
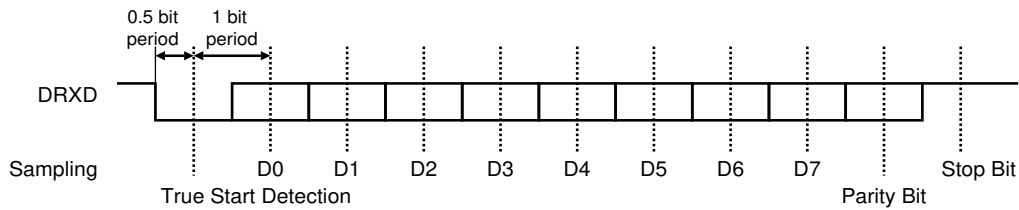


Figure 42-5: Character Reception

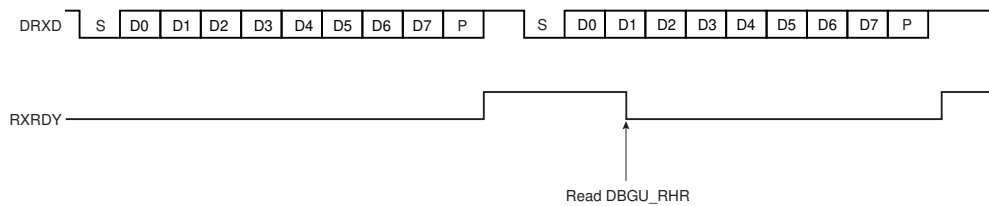
Example: 8-bit, parity enabled 1 stop



42.5.2.3 Receiver Ready

When a complete character is received, it is transferred to the Debug Unit Receive Holding register (DBGU_RHR) and the RXRDY status bit in the Debug Unit Status register (DBGU_SR) is set. The bit RXRDY is automatically cleared when the receive holding register DBGU_RHR is read.

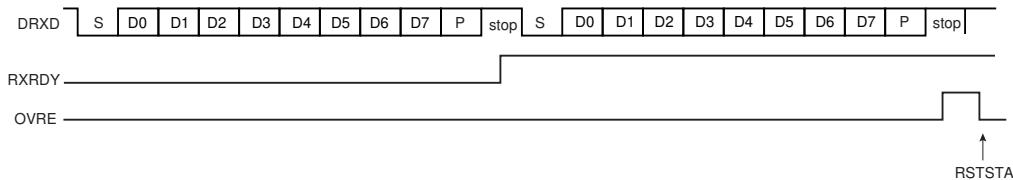
Figure 42-6: Receiver Ready



42.5.2.4 Receiver Overrun

If DBGU_RHR has not been read by the software (or the Peripheral Data Controller or DMA Controller) since the last transfer, the RXRDY bit is still set and a new character is received, the OVRE status bit in DBGU_SR is set. OVRE is cleared when the software writes a one to the bit RSTSTA (Reset Status) in the DBGU_CR.

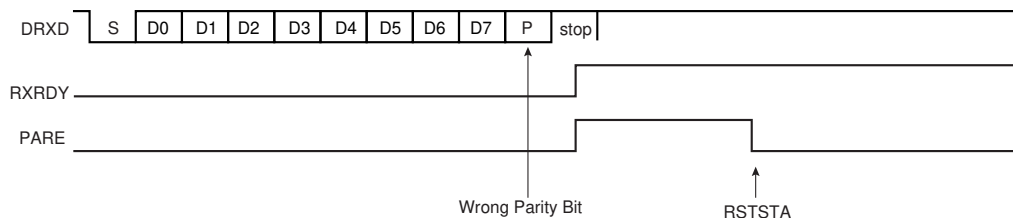
Figure 42-7: Receiver Overrun



42.5.2.5 Parity Error

Each time a character is received, the receiver calculates the parity of the received data bits, in accordance with the field PAR in the Debug Unit Mode register (DBGU_MR). It then compares the result with the received parity bit. If different, the parity error bit PARE in DBGU_SR is set at the same time as the RXRDY is set. The parity bit is cleared when a one is written to the bit RSTSTA (Reset Status) in the DBGU_CR. If a new character is received before the reset status command is written, the PARE bit remains at 1.

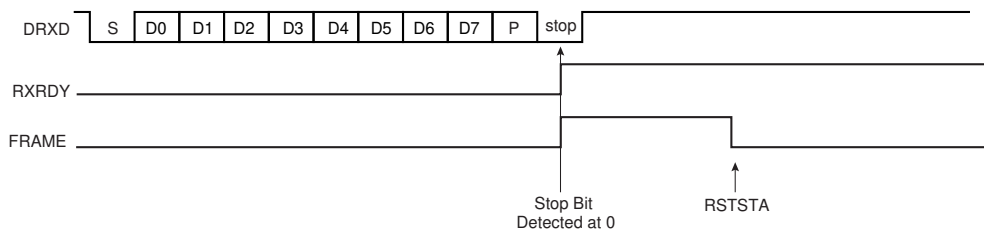
Figure 42-8: Parity Error



42.5.2.6 Receiver Framing Error

When a start bit is detected, it generates a character reception when all the data bits have been sampled. The stop bit is also sampled and when it is detected at 0, the FRAME (Framing Error) bit in DBGU_SR is set at the same time as the RXRDY bit is set. The bit FRAME remains high until a one is written to the RSTSTA bit in the DBGU_CR.

Figure 42-9: Receiver Framing Error



42.5.3 Transmitter

42.5.3.1 Transmitter Reset, Enable and Disable

After device reset, the Debug Unit transmitter is disabled and it must be enabled before being used. The transmitter is enabled by writing a one to the TXEN bit in DBGU_CR. From this command, the transmitter waits for a character to be written in the Transmit Holding register (DBGU_THR) before actually starting the transmission.

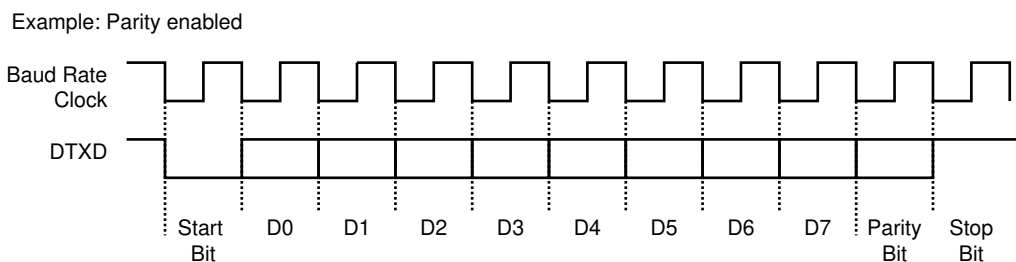
The programmer can disable the transmitter by writing a one to the TXDIS bit in the DBGU_CR. If the transmitter is not operating, it is immediately stopped. However, if a character is being processed into the Shift Register and/or a character has been written in the Transmit Holding Register, the characters are completed before the transmitter is actually stopped.

The programmer can also put the transmitter in its reset state by writing a one to the RSTTX bit in the DBGU_CR. This immediately stops the transmitter, whether or not it is processing characters.

42.5.3.2 Transmit Format

The Debug Unit transmitter drives the pin DTXD at the baud rate clock speed. The line is driven depending on the format defined in DBGU_MR and the data stored in the Shift Register. One start bit at level 0, then the 8 data bits, from the lowest to the highest bit, one optional parity bit and one stop bit at 1 are consecutively shifted out as shown on the following figure. The field PARE in DBGU_MR defines whether or not a parity bit is shifted out. When a parity bit is enabled, it can be selected between an odd parity, an even parity, or a fixed space or mark bit.

Figure 42-10: Character Transmission

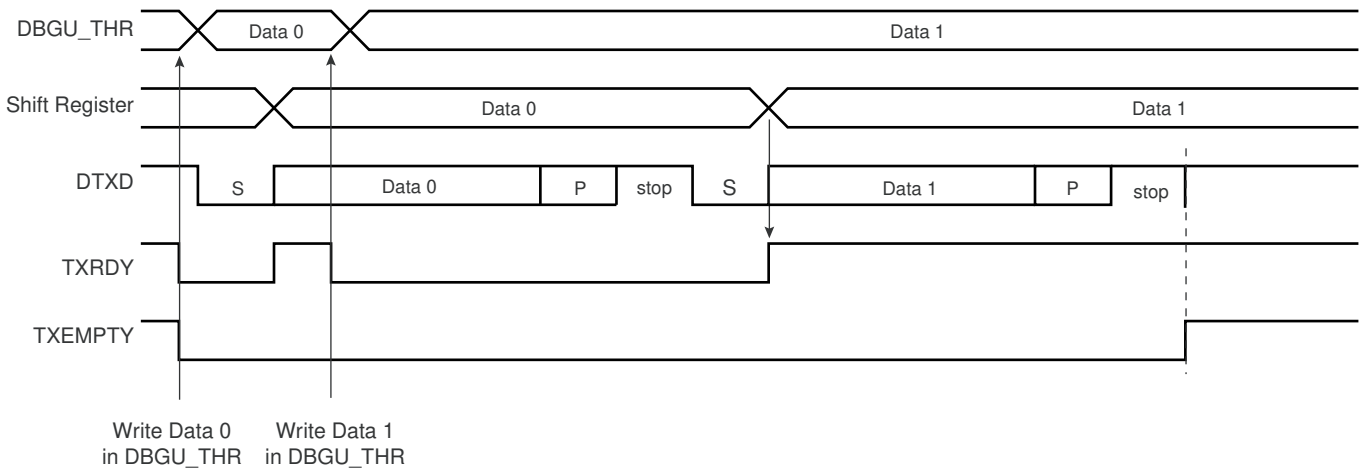


42.5.3.3 Transmitter Control

When the transmitter is enabled, the bit TXRDY (Transmitter Ready) is set in DBGU_SR. The transmission starts when the programmer writes in DBGU_THR, and after the written character is transferred from DBGU_THR to the Shift Register. The bit TXRDY remains high until a second character is written in DBGU_THR. As soon as the first character is completed, the last character written in DBGU_THR is transferred into the shift register and TXRDY rises again, showing that the holding register is empty.

When both the Shift Register and the DBGU_THR are empty, i.e., all the characters written in DBGU_THR have been processed, the bit TXEMPTY rises after the last stop bit has been completed.

Figure 42-11: Transmitter Control



42.5.4 DMA Support

Both the receiver and the transmitter of the Debug Unit's UART are connected to a DMA Controller (DMAC) channel.

The DMA Controller channels are programmed via registers that are mapped within the DMAC user interface.

42.5.5 Test Modes

The Debug Unit supports three tests modes. These modes of operation are programmed by using the field CHMODE (Channel Mode) in DBGU_MR.

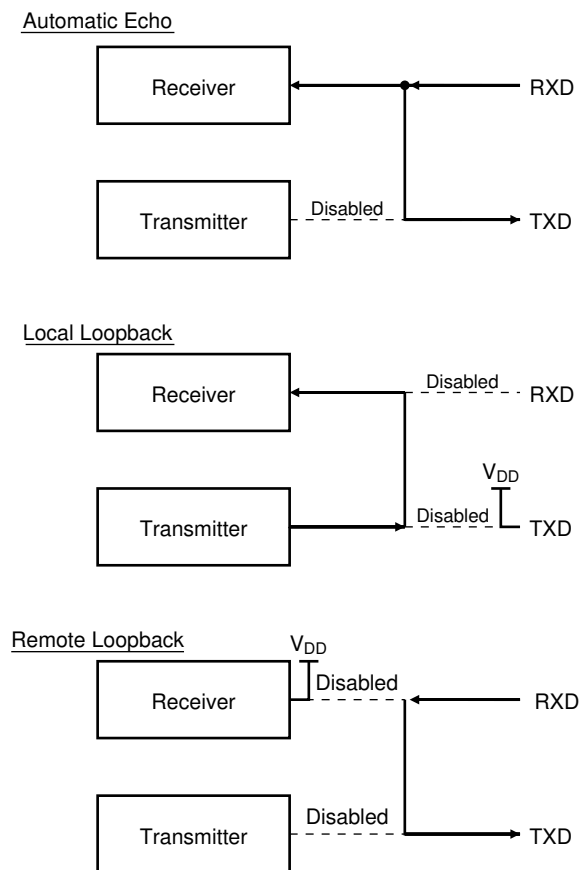
The Automatic Echo mode allows bit-by-bit retransmission. When a bit is received on the DRXD line, it is sent to the DTXD line. The transmitter operates normally, but has no effect on the DTXD line.

The Local Loopback mode allows the transmitted characters to be received. DTXD and DRXD pins are not used and the output of the transmitter is internally connected to the input of the receiver. The DRXD pin level has no effect and the DTXD line is held high, as in idle state.

The Remote Loopback mode directly connects the DRXD pin to the DTXD line. The transmitter and the receiver are disabled and have no effect. This mode allows a bit-by-bit retransmission.

SAMA5D3 SERIES

Figure 42-12: Test Modes



42.5.6 Debug Communication Channel Support

The Debug Unit handles the signals COMMRX and COMMTX that come from the Debug Communication Channel of the ARM Processor and are driven by the In-circuit Emulator.

The Debug Communication Channel contains two registers that are accessible through the ICE Breaker on the JTAG side and through the coprocessor 0 on the ARM Processor side.

As a reminder, the following instructions are used to read and write the Debug Communication Channel:

```
MRC          p14, 0, Rd, c1, c0, 0
```

Returns the debug communication data read register into Rd

```
MCR          p14, 0, Rd, c1, c0, 0
```

Writes the value in Rd to the debug communication data write register.

The bits COMMRX and COMMTX, which indicate, respectively, that the read register has been written by the debugger but not yet read by the processor, and that the write register has been written by the processor and not yet read by the debugger, are wired on the two highest bits of DBGU_SR. These bits can generate an interrupt. This feature permits handling under interrupt a debug link between a debug monitor running on the target system and a debugger.

42.5.7 Chip Identifier

The Debug Unit features two chip identifier registers, Debug Unit Chip ID register (DBGU_CIDR) and Debug Unit Extension ID register (DBGU_EXID). Both registers contain a hard-wired value that is read-only.

The first register (DBGU_CIDR) contains the following fields:

- EXT: shows the use of the extension identifier register
- NVPTYP and NVPSIZ: identifies the type of embedded non-volatile memory and its size

- ARCH: identifies the set of embedded peripherals
- SRAMSIZ: indicates the size of the embedded SRAM
- EPROC: indicates the embedded ARM processor
- VERSION: gives the revision of the silicon

The second register (DBGU_EXID) is device-dependent and is read as 0 if the bit EXT is 0 in DBGU_CIDR.

42.5.8 ICE Access Prevention

The Debug Unit allows blockage of access to the system through the ARM processor's ICE interface. This feature is implemented via the Debug Unit Force NTRST register (DBGU_FNR), that allows assertion of the NTRST signal of the ICE Interface. Writing the bit FNTRST (Force NTRST) to 1 in this register prevents any activity on the TAP controller.

On standard devices, the bit FNTRST resets to 0 and thus does not prevent ICE access.

This feature is especially useful on custom ROM devices for customers who do not want their on-chip code to be visible.

SAMA5D3 SERIES

42.6 Debug Unit (DBGU) User Interface

Table 42-3: Register Mapping

Offset	Register	Name	Access	Reset
0x0000	Control Register	DBGU_CR	Write-only	–
0x0004	Mode Register	DBGU_MR	Read/Write	0x0
0x0008	Interrupt Enable Register	DBGU_IER	Write-only	–
0x000C	Interrupt Disable Register	DBGU_IDR	Write-only	–
0x0010	Interrupt Mask Register	DBGU_IMR	Read-only	0x0
0x0014	Status Register	DBGU_SR	Read-only	–
0x0018	Receive Holding Register	DBGU_RHR	Read-only	0x0
0x001C	Transmit Holding Register	DBGU_THR	Write-only	–
0x0020	Baud Rate Generator Register	DBGU_BRGR	Read/Write	0x0
0x0024 - 0x003C	Reserved	–	–	–
0x0040	Chip ID Register	DBGU_CIDR	Read-only	0x8A5C07C2
0x0044	Chip ID Extension Register	DBGU_EXID	Read-only	–
0x0048	Force NTRST Register	DBGU_FNR	Read/Write	0x0
0x004C - 0x00FC	Reserved	–	–	–

42.6.1 Debug Unit Control Register

Name:DBGU_CR

Address:0xFFFFFEE0

Access:Write-only

31	30	29	28	27	26	25	24
–	–	–	–	–	–	–	–
23	22	21	20	19	18	17	16
–	–	–	–	–	–	–	–
15	14	13	12	11	10	9	8
–	–	–	–	–	–	–	RSTSTA
7	6	5	4	3	2	1	0
TXDIS	TXEN	RXDIS	RXEN	RSTTX	RSTRX	–	–

RSTRX: Reset Receiver

0: No effect.

1: The receiver logic is reset and disabled. If a character is being received, the reception is aborted.

RSTTX: Reset Transmitter

0: No effect.

1: The transmitter logic is reset and disabled. If a character is being transmitted, the transmission is aborted.

RXEN: Receiver Enable

0: No effect.

1: The receiver is enabled if RXDIS is 0.

RXDIS: Receiver Disable

0: No effect.

1: The receiver is disabled. If a character is being processed and RSTRX is not set, the character is completed before the receiver is stopped.

TXEN: Transmitter Enable

0: No effect.

1: The transmitter is enabled if TXDIS is 0.

TXDIS: Transmitter Disable

0: No effect.

1: The transmitter is disabled. If a character is being processed and a character has been written in the DBGU_THR and RSTTX is not set, both characters are completed before the transmitter is stopped.

RSTSTA: Reset Status Bits

0: No effect.

1: Resets the status bits PARE, FRAME and OVRE in DBGU_SR.

SAMA5D3 SERIES

42.6.2 Debug Unit Mode Register

Name:DBGU_MR

Address:0xFFFFEE04

Access:Read/Write

31	30	29	28	27	26	25	24
–	–	–	–	–	–	–	–
23	22	21	20	19	18	17	16
–	–	–	–	–	–	–	–
15	14	13	12	11	10	9	8
CHMODE		–	–	PAR		–	
7	6	5	4	3	2	1	0
–	–	–	–	–	–	–	–

PAR: Parity Type

Value	Name	Description
0b000	EVEN	Even Parity
0b001	ODD	Odd Parity
0b010	SPACE	Space: Parity forced to 0
0b011	MARK	Mark: Parity forced to 1
0b1xx	NONE	No Parity

CHMODE: Channel Mode

Value	Name	Description
0b00	NORM	Normal Mode
0b01	AUTO	Automatic Echo
0b10	LOCLOOP	Local Loopback
0b11	REMLOOP	Remote Loopback

42.6.3 Debug Unit Interrupt Enable Register

Name:DBGU_IER

Address:0xFFFFEE08

Access:Write-only

31	30	29	28	27	26	25	24
COMMRX	COMMTX	–	–	–	–	–	–
23	22	21	20	19	18	17	16
–	–	–	–	–	–	–	–
15	14	13	12	11	10	9	8
–	–	–	–	–	–	TXEMPTY	–
7	6	5	4	3	2	1	0
PARE	FRAME	OVRE	–	–	–	TXRDY	RXRDY

RXRDY: Enable RXRDY Interrupt

TXRDY: Enable TXRDY Interrupt

OVRE: Enable Overrun Error Interrupt

FRAME: Enable Framing Error Interrupt

PARE: Enable Parity Error Interrupt

TXEMPTY: Enable TXEMPTY Interrupt

COMMTX: Enable COMMTX (from ARM) Interrupt

COMMRX: Enable COMMRX (from ARM) Interrupt

0: No effect.

1: Enables the corresponding interrupt.

SAMA5D3 SERIES

42.6.4 Debug Unit Interrupt Disable Register

Name:DBGU_IDR

Address:0xFFFFEE0C

Access:Write-only

31	30	29	28	27	26	25	24
COMMRX	COMMTX	–	–	–	–	–	–
23	22	21	20	19	18	17	16
–	–	–	–	–	–	–	–
15	14	13	12	11	10	9	8
–	–	–	–	–	–	TXEMPTY	–
7	6	5	4	3	2	1	0
PARE	FRAME	OVRE	–	–	–	TXRDY	RXRDY

RXRDY: Disable RXRDY Interrupt

TXRDY: Disable TXRDY Interrupt

OVRE: Disable Overrun Error Interrupt

FRAME: Disable Framing Error Interrupt

PARE: Disable Parity Error Interrupt

TXEMPTY: Disable TXEMPTY Interrupt

COMMTX: Disable COMMTX (from ARM) Interrupt

COMMRX: Disable COMMRX (from ARM) Interrupt

0: No effect.

1: Disables the corresponding interrupt.

42.6.5 Debug Unit Interrupt Mask Register

Name:DBGU_IMR

Address:0xFFFFEE10

Access:Read-only

31	30	29	28	27	26	25	24
COMMRX	COMMTX	–	–	–	–	–	–
23	22	21	20	19	18	17	16
–	–	–	–	–	–	–	–
15	14	13	12	11	10	9	8
–	–	–	–	–	–	TXEMPTY	–
7	6	5	4	3	2	1	0
PARE	FRAME	OVRE	–	–	–	TXRDY	RXRDY

RXRDY: Mask RXRDY Interrupt

TXRDY: Disable TXRDY Interrupt

OVRE: Mask Overrun Error Interrupt

FRAME: Mask Framing Error Interrupt

PARE: Mask Parity Error Interrupt

TXEMPTY: Mask TXEMPTY Interrupt

COMMTX: Mask COMMTX Interrupt

COMMRX: Mask COMMRX Interrupt

0: The corresponding interrupt is disabled.

1: The corresponding interrupt is enabled.

SAMA5D3 SERIES

42.6.6 Debug Unit Status Register

Name:DBGU_SR

Address:0xFFFFEE14

Access:Read-only

31	30	29	28	27	26	25	24
COMMRX	COMMTX	–	–	–	–	–	–
23	22	21	20	19	18	17	16
–	–	–	–	–	–	–	–
15	14	13	12	11	10	9	8
–	–	–	–	–	–	TXEMPTY	–
7	6	5	4	3	2	1	0
PARE	FRAME	OVRE	–	–	–	TXRDY	RXRDY

RXRDY: Receiver Ready

0: No character has been received since the last read of the DBGU_RHR, or the receiver is disabled.

1: At least one complete character has been received, transferred to DBGU_RHR and not yet read.

TXRDY: Transmitter Ready

0: A character has been written to DBGU_THR and not yet transferred to the Shift Register, or the transmitter is disabled.

1: There is no character written to DBGU_THR not yet transferred to the Shift Register.

OVRE: Overrun Error

0: No overrun error has occurred since the last RSTSTA.

1: At least one overrun error has occurred since the last RSTSTA.

FRAME: Framing Error

0: No framing error has occurred since the last RSTSTA.

1: At least one framing error has occurred since the last RSTSTA.

PARE: Parity Error

0: No parity error has occurred since the last RSTSTA.

1: At least one parity error has occurred since the last RSTSTA.

TXEMPTY: Transmitter Empty

0: There are characters in DBGU_THR, or characters being processed by the transmitter, or the transmitter is disabled.

1: There are no characters in DBGU_THR and there are no characters being processed by the transmitter.

COMMTX: Debug Communication Channel Write Status

0: COMMTX from the ARM processor is inactive.

1: COMMTX from the ARM processor is active.

COMMRX: Debug Communication Channel Read Status

0: COMMRX from the ARM processor is inactive.

1: COMMRX from the ARM processor is active.

42.6.7 Debug Unit Receive Holding Register

Name:DBGU_RHR

Address:0xFFFFEE18

Access:Read-only

31	30	29	28	27	26	25	24
–	–	–	–	–	–	–	–
23	22	21	20	19	18	17	16
–	–	–	–	–	–	–	–
15	14	13	12	11	10	9	8
–	–	–	–	–	–	–	–
7	6	5	4	3	2	1	0
RXCHR							

RXCHR: Received Character

Last received character if RXRDY is set.

SAMA5D3 SERIES

42.6.8 Debug Unit Transmit Holding Register

Name:DBGU_THR

Address:0xFFFFEE1C

Access:Write-only

31	30	29	28	27	26	25	24
–	–	–	–	–	–	–	–
23	22	21	20	19	18	17	16
–	–	–	–	–	–	–	–
15	14	13	12	11	10	9	8
–	–	–	–	–	–	–	–
7	6	5	4	3	2	1	0
TXCHR							

TXCHR: Character to be Transmitted

Next character to be transmitted after the current character if TXRDY is not set.

42.6.9 Debug Unit Baud Rate Generator Register

Name:DBGU_BRGR

Address:0xFFFFEE20

Access:Read/Write

31	30	29	28	27	26	25	24
–	–	–	–	–	–	–	–
23	22	21	20	19	18	17	16
–	–	–	–	–	–	–	–
15	14	13	12	11	10	9	8
CD							
7	6	5	4	3	2	1	0
CD							

CD: Clock Divisor

Value	Name	Description
0	DISABLED	DBGU Disabled
1	MCK	Peripheral clock
2 to 65535	–	Peripheral clock/ (CD x 16)

SAMA5D3 SERIES

42.6.10 Debug Unit Chip ID Register

Name:DBGU_CIDR

Address:0xFFFFEE40

Access:Read-only

31	30	29	28	27	26	25	24
EXT	NVPTYP			ARCH			
23	22	21	20	19	18	17	16
ARCH				SRAMSIZ			
15	14	13	12	11	10	9	8
NVPSIZ2				NVPSIZ			
7	6	5	4	3	2	1	0
EPROC				VERSION			

VERSION: Version of the Device

Values depend on the version of the device.

EPROC: Embedded Processor

Value	Name	Description
1	ARM946ES	ARM946ES
2	ARM7TDMI	ARM7TDMI
3	CM3	Cortex-M3
4	ARM920T	ARM920T
5	ARM926EJS	ARM926EJS
6	CA5	Cortex-A5

NVPSIZ: Nonvolatile Program Memory Size

Value	Name	Description
0	NONE	None
1	8K	8 Kbytes
2	16K	16 Kbytes
3	32K	32 Kbytes
4	–	Reserved
5	64K	64 Kbytes
6	–	Reserved
7	128K	128 Kbytes
8	–	Reserved
9	256K	256 Kbytes
10	512K	512 Kbytes
11	–	Reserved
12	1024K	1024 Kbytes
13	–	Reserved
14	2048K	2048 Kbytes
15	–	Reserved

NVPSIZ2: Second Nonvolatile Program Memory Size

Value	Name	Description
0	NONE	None
1	8K	8 Kbytes
2	16K	16 Kbytes
3	32K	32 Kbytes
4	–	Reserved
5	64K	64 Kbytes
6		Reserved
7	128K	128 Kbytes
8	–	Reserved
9	256K	256 Kbytes
10	512K	512 Kbytes
11	–	Reserved
12	1024K	1024 Kbytes
13	–	Reserved
14	2048K	2048 Kbytes
15	–	Reserved

SRAMSIZ: Internal SRAM Size

Value	Name	Description
0	–	Reserved
1	1K	1 Kbytes
2	2K	2 Kbytes
3	6K	6 Kbytes
4	112K	112 Kbytes
5	4K	4 Kbytes
6	80K	80 Kbytes
7	160K	160 Kbytes
8	8K	8 Kbytes
9	16K	16 Kbytes
10	32K	32 Kbytes
11	64K	64 Kbytes
12	128K	128 Kbytes
13	256K	256 Kbytes
14	96K	96 Kbytes
15	512K	512 Kbytes

SAMA5D3 SERIES

ARCH: Architecture Identifier

Value	Name	Description
0x19	AT91SAM9xx	AT91SAM9xx Series
0x29	AT91SAM9XExx	AT91SAM9XExx Series
0x34	AT91x34	AT91x34 Series
0x37	CAP7	CAP7 Series
0x39	CAP9	CAP9 Series
0x3B	CAP11	CAP11 Series
0x40	AT91x40	AT91x40 Series
0x42	AT91x42	AT91x42 Series
0x55	AT91x55	AT91x55 Series
0x60	AT91SAM7Axx	AT91SAM7Axx Series
0x61	AT91SAM7AQxx	AT91SAM7AQxx Series
0x63	AT91x63	AT91x63 Series
0x70	AT91SAM7Sxx	AT91SAM7Sxx Series
0x71	AT91SAM7XCxx	AT91SAM7XCxx Series
0x72	AT91SAM7SExx	AT91SAM7SExx Series
0x73	AT91SAM7Lxx	AT91SAM7Lxx Series
0x75	AT91SAM7Xxx	AT91SAM7Xxx Series
0x76	AT91SAM7SLxx	AT91SAM7SLxx Series
0x80	ATSAM3UxC	ATSAM3UxC Series (100-pin version)
0x81	ATSAM3UxE	ATSAM3UxE Series (144-pin version)
0x83	ATSAM3AxC	ATSAM3AxC Series (100-pin version)
0x84	ATSAM3XxC	ATSAM3XxC Series (100-pin version)
0x85	ATSAM3XxE	ATSAM3XxE Series (144-pin version)
0x86	ATSAM3XxG	ATSAM3XxG Series (208/217-pin version)
0x88	ATSAM3SxA	ATSAM3SxA Series (48-pin version)
0x89	ATSAM3SxB	ATSAM3SxB Series (64-pin version)
0x8A	ATSAM3SxC	ATSAM3SxC Series (100-pin version)
0x92	AT91x92	AT91x92 Series
0x93	ATSAM3NxA	ATSAM3NxA Series (48-pin version)
0x94	ATSAM3NxB	ATSAM3NxB Series (64-pin version)
0x95	ATSAM3NxC	ATSAM3NxC Series (100-pin version)
0x98	ATSAM3SDxA	ATSAM3SDxA Series (48-pin version)
0x99	ATSAM3SDxB	ATSAM3SDxB Series (64-pin version)
0x9A	ATSAM3SDxC	ATSAM3SDxC Series (100-pin version)
0xA5	ATSAMA5xx	ATSAMA5xx Series
0xF0	AT75Cxx	AT75Cxx Series

NVPTYP: Nonvolatile Program Memory Type

Value	Name	Description
0	ROM	ROM
1	ROMLESS	ROMless or on-chip Flash
4	SRAM	SRAM emulating ROM
2	FLASH	Embedded Flash Memory
3	ROM_FLASH	ROM and Embedded Flash Memory NVPSIZ is ROM size NVPSIZ2 is Flash size

EXT: Extension Flag

0: Chip ID has a single register definition without extension.

1: An extended Chip ID exists.

SAMA5D3 SERIES

42.6.11 Debug Unit Chip ID Extension Register

Name:DBGU_EXID

Address:0xFFFFEE44

Access:Read-only

31	30	29	28	27	26	25	24
EXID							
23	22	21	20	19	18	17	16
EXID							
15	14	13	12	11	10	9	8
EXID							
7	6	5	4	3	2	1	0
EXID							

EXID: Chip ID Extension

Read as 0 if the bit EXT in DBGU_CIDR is 0.

42.6.12 Debug Unit Force NTRST Register

Name: DBGU_FNR

Address: 0xFFFFEE48

Access: Read/Write

31	30	29	28	27	26	25	24
–	–	–	–	–	–	–	–
23	22	21	20	19	18	17	16
–	–	–	–	–	–	–	–
15	14	13	12	11	10	9	8
–	–	–	–	–	–	–	–
7	6	5	4	3	2	1	0
–	–	–	–	–	–	–	FNTRST

FNTRST: Force NTRST

0: NTRST of the ARM processor's TAP controller is driven by the power_on_reset signal.

1: NTRST of the ARM processor's TAP controller is held low.

SAMA5D3 SERIES

43. Universal Asynchronous Receiver Transmitter (UART)

43.1 Description

The Universal Asynchronous Receiver Transmitter (UART) features a two-pin UART that can be used for communication and trace purposes and offers an ideal medium for in-situ programming solutions.

Moreover, the association with a DMA controller permits packet handling for these tasks with processor time reduced to a minimum.

43.2 Embedded Characteristics

- Two-pin UART
 - Independent Receiver and Transmitter with a Common Programmable Baud Rate Generator
 - Even, Odd, Mark or Space Parity Generation
 - Parity, Framing and Overrun Error Detection
 - Automatic Echo, Local Loopback and Remote Loopback Channel Modes
 - Interrupt Generation
 - Support for Two DMA Channels with Connection to Receiver and Transmitter

43.3 Block Diagram

Figure 43-1: UART Block Diagram

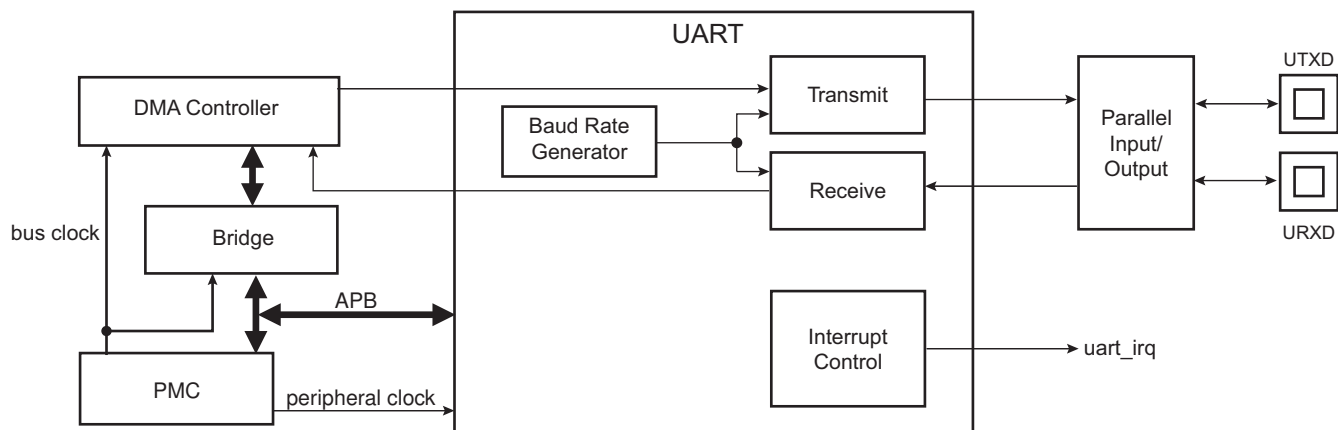


Table 43-1: UART Pin Description

Pin Name	Description	Type
URXD	UART Receive Data	Input
UTXD	UART Transmit Data	Output

43.4 Product Dependencies

43.4.1 I/O Lines

The UART pins are multiplexed with PIO lines. The user must first configure the corresponding PIO Controller to enable I/O line operations of the UART.

Table 43-2: I/O Lines

Instance	Signal	I/O Line	Peripheral
UART0	URXD0	PC29	A
UART0	UTXD0	PC30	A
UART1	URXD1	PA30	B
UART1	UTXD1	PA31	B

43.4.2 Power Management

The UART clock can be controlled through the Power Management Controller (PMC). In this case, the user must first configure the PMC to enable the UART clock. Usually, the peripheral identifier used for this purpose is 1.

43.4.3 Interrupt Sources

The UART interrupt line is connected to one of the interrupt sources of the Interrupt Controller. Interrupt handling requires programming of the Interrupt Controller before configuring the UART.

Table 43-3: Peripheral IDs

Instance	ID
UART0	16
UART1	17

43.5 Functional Description

The UART operates in Asynchronous mode only and supports only 8-bit character handling (with parity). It has no clock pin.

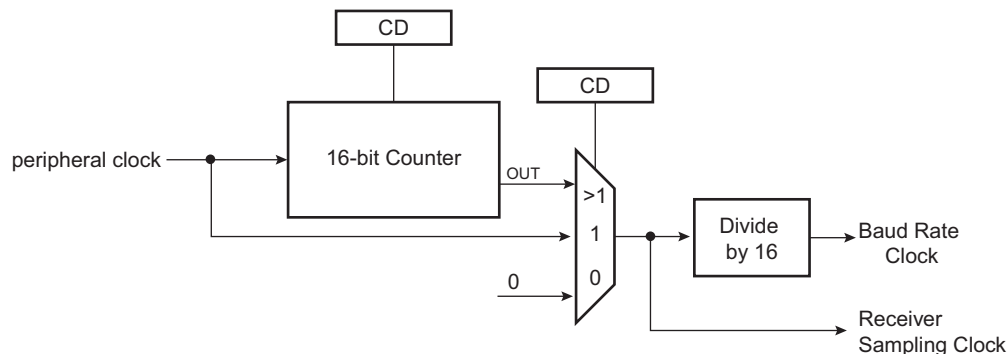
The UART is made up of a receiver and a transmitter that operate independently, and a common baud rate generator. Receiver timeout and transmitter time guard are not implemented. However, all the implemented features are compatible with those of a standard USART.

43.5.1 Baud Rate Generator

The baud rate generator provides the bit period clock named baud rate clock to both the receiver and the transmitter.

The baud rate clock is the peripheral clock divided by 16 times the clock divisor (CD) value written in the Baud Rate Generator register (UART_BRGR). If UART_BRGR is set to 0, the baud rate clock is disabled and the UART remains inactive. The maximum allowable baud rate is peripheral clock divided by 16. The minimum allowable baud rate is peripheral clock divided by (16 x 65536).

Figure 43-2: Baud Rate Generator



43.5.2 Receiver

43.5.2.1 Receiver Reset, Enable and Disable

After device reset, the UART receiver is disabled and must be enabled before being used. The receiver can be enabled by writing the Control Register (UART_CR) with the bit RXEN at 1. At this command, the receiver starts looking for a start bit.

The programmer can disable the receiver by writing UART_CR with the bit RXDIS at 1. If the receiver is waiting for a start bit, it is immediately stopped. However, if the receiver has already detected a start bit and is receiving the data, it waits for the stop bit before actually stopping its operation.

The receiver can be put in reset state by writing UART_CR with the bit RSTRX at 1. In this case, the receiver immediately stops its current operations and is disabled, whatever its current state. If RSTRX is applied when data is being processed, this data is lost.

43.5.2.2 Start Detection and Data Sampling

The UART only supports asynchronous operations, and this affects only its receiver. The UART receiver detects the start of a received character by sampling the URXD signal until it detects a valid start bit. A low level (space) on URXD is interpreted as a valid start bit if it is detected for more than seven cycles of the sampling clock, which is 16 times the baud rate. Hence, a space that is longer than 7/16 of the bit period is detected as a valid start bit. A space which is 7/16 of a bit period or shorter is ignored and the receiver continues to wait for a valid start bit.

When a valid start bit has been detected, the receiver samples the URXD at the theoretical midpoint of each bit. It is assumed that each bit lasts 16 cycles of the sampling clock (1-bit period) so the bit sampling point is eight cycles (0.5-bit period) after the start of the bit. The first sampling point is therefore 24 cycles (1.5-bit periods) after detecting the falling edge of the start bit.

Each subsequent bit is sampled 16 cycles (1-bit period) after the previous one.

Figure 43-3: Start Bit Detection

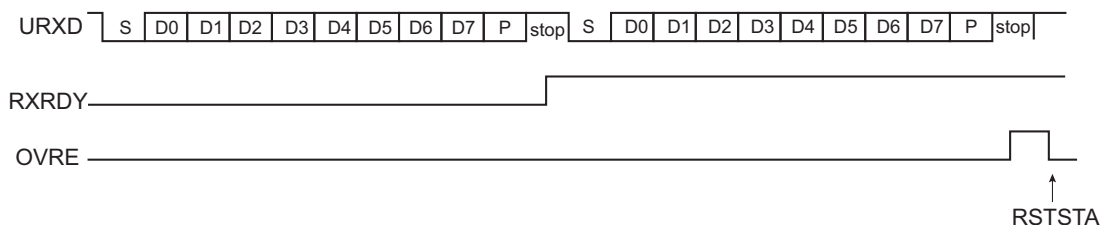
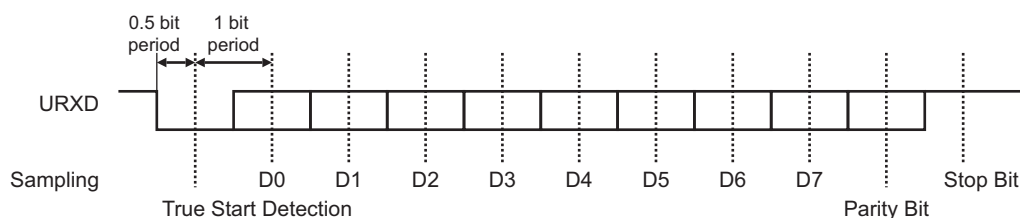


Figure 43-4: Character Reception

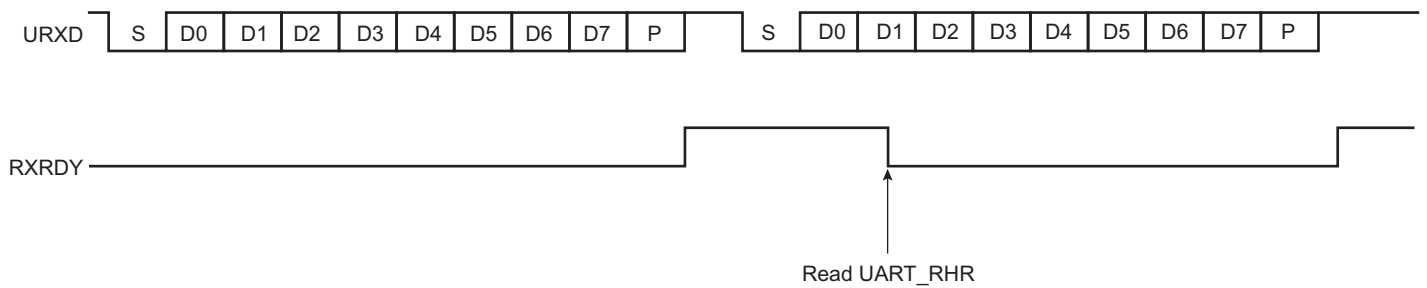
Example: 8-bit, parity enabled 1 stop



43.5.2.3 Receiver Ready

When a complete character is received, it is transferred to the Receive Holding Register (UART_RHR) and the RXRDY status bit in the Status Register (UART_SR) is set. The bit RXRDY is automatically cleared when UART_RHR is read.

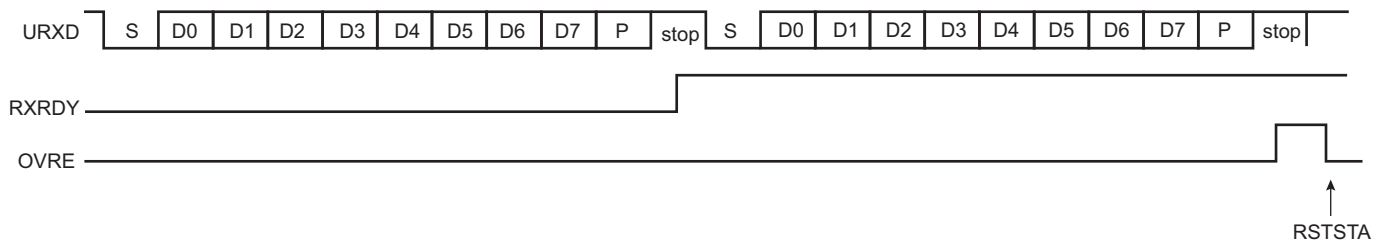
Figure 43-5: Receiver Ready



43.5.2.4 Receiver Overrun

The OVRE status bit in UART_SR is set if UART_RHR has not been read by the software (or the DMA Controller) since the last transfer, the RXRDY bit is still set and a new character is received. OVRE is cleared when the software writes a 1 to the bit RSTSTA (Reset Status) in UART_CR.

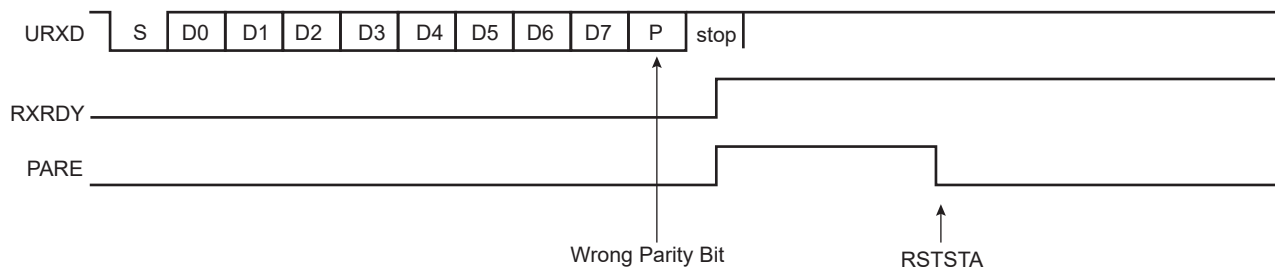
Figure 43-6: Receiver Overrun



43.5.2.5 Parity Error

Each time a character is received, the receiver calculates the parity of the received data bits, in accordance with the field PAR in the Mode Register (UART_MR). It then compares the result with the received parity bit. If different, the parity error bit PARE in UART_SR is set at the same time RXRDY is set. The parity bit is cleared when UART_CR is written with the bit RSTSTA (Reset Status) at 1. If a new character is received before the reset status command is written, the PARE bit remains at 1.

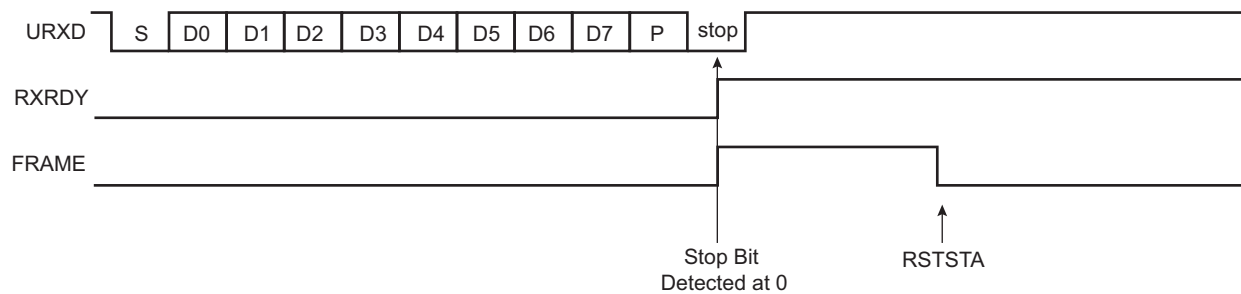
Figure 43-7: Parity Error



43.5.2.6 Receiver Framing Error

When a start bit is detected, it generates a character reception when all the data bits have been sampled. The stop bit is also sampled and when it is detected at 0, the FRAME (Framing Error) bit in UART_SR is set at the same time the RXRDY bit is set. The FRAME bit remains high until the Control Register (UART_CR) is written with the bit RSTSTA at 1.

Figure 43-8: Receiver Framing Error



43.5.3 Transmitter

43.5.3.1 Transmitter Reset, Enable and Disable

After device reset, the UART transmitter is disabled and must be enabled before being used. The transmitter is enabled by writing UART_CR with the bit TXEN at 1. From this command, the transmitter waits for a character to be written in the Transmit Holding Register (UART_THR) before actually starting the transmission.

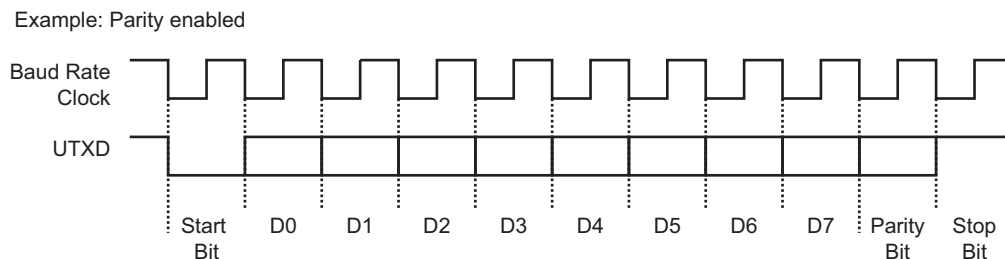
The programmer can disable the transmitter by writing UART_CR with the bit TXDIS at 1. If the transmitter is not operating, it is immediately stopped. However, if a character is being processed into the internal shift register and/or a character has been written in the UART_THR, the characters are completed before the transmitter is actually stopped.

The programmer can also put the transmitter in its reset state by writing the UART_CR with the bit RSTTX at 1. This immediately stops the transmitter, whether or not it is processing characters.

43.5.3.2 Transmit Format

The UART transmitter drives the pin UTXD at the baud rate clock speed. The line is driven depending on the format defined in UART_MR and the data stored in the internal shift register. One start bit at level 0, then the 8 data bits, from the lowest to the highest bit, one optional parity bit and one stop bit at 1 are consecutively shifted out as shown in the following figure. The field PARE in UART_MR defines whether or not a parity bit is shifted out. When a parity bit is enabled, it can be selected between an odd parity, an even parity, or a fixed space or mark bit.

Figure 43-9: Character Transmission

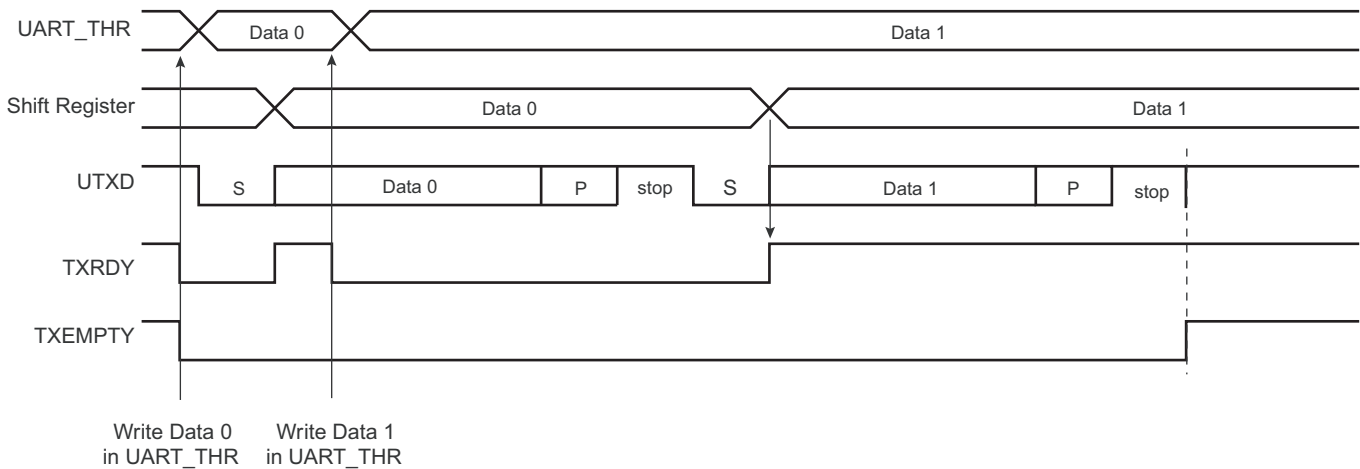


43.5.3.3 Transmitter Control

When the transmitter is enabled, the bit TXRDY (Transmitter Ready) is set in UART_SR. The transmission starts when the programmer writes in the UART_THR, and after the written character is transferred from UART_THR to the internal shift register. The TXRDY bit remains high until a second character is written in UART_THR. As soon as the first character is completed, the last character written in UART_THR is transferred into the internal shift register and TXRDY rises again, showing that the holding register is empty.

When both the internal shift register and UART_THR are empty, i.e., all the characters written in UART_THR have been processed, the TXEMPTY bit rises after the last stop bit has been completed.

Figure 43-10: Transmitter Control



43.5.4 DMA Support

Both the receiver and the transmitter of the UART are connected to a DMA Controller (DMAC) channel. The DMA Controller channels are programmed via registers that are mapped within the DMAC user interface.

43.5.5 Test Modes

The UART supports three test modes. These modes of operation are programmed by using the CHMODE field in UART_MR.

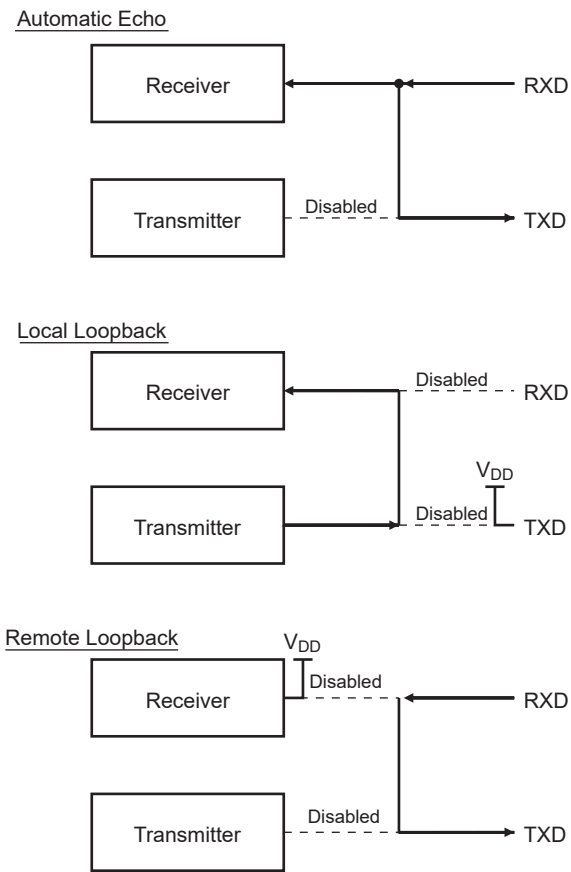
The Automatic Echo mode allows a bit-by-bit retransmission. When a bit is received on the URXD line, it is sent to the UTXD line. The transmitter operates normally, but has no effect on the UTXD line.

The Local Loopback mode allows the transmitted characters to be received. UTXD and URXD pins are not used and the output of the transmitter is internally connected to the input of the receiver. The URXD pin level has no effect and the UTXD line is held high, as in idle state.

The Remote Loopback mode directly connects the URXD pin to the UTXD line. The transmitter and the receiver are disabled and have no effect. This mode allows a bit-by-bit retransmission.

SAMA5D3 SERIES

Figure 43-11: Test Modes



43.6 Universal Asynchronous Receiver Transmitter (UART) User Interface**Table 43-4: Register Mapping**

Offset	Register	Name	Access	Reset
0x0000	Control Register	UART_CR	Write-only	–
0x0004	Mode Register	UART_MR	Read/Write	0x0
0x0008	Interrupt Enable Register	UART_IER	Write-only	–
0x000C	Interrupt Disable Register	UART_IDR	Write-only	–
0x0010	Interrupt Mask Register	UART_IMR	Read-only	0x0
0x0014	Status Register	UART_SR	Read-only	–
0x0018	Receive Holding Register	UART_RHR	Read-only	0x0
0x001C	Transmit Holding Register	UART_THR	Write-only	–
0x0020	Baud Rate Generator Register	UART_BRGR	Read/Write	0x0
0x0024	Reserved	–	–	–
0x0028–0x003C	Reserved	–	–	–
0x0040–0x00E8	Reserved	–	–	–
0x00EC–0x00FC	Reserved	–	–	–

SAMA5D3 SERIES

43.6.1 UART Control Register

Name:UART_CR

Address:0xF0024000 (0), 0xF8028000 (1)

Access:Write-only

31	30	29	28	27	26	25	24
–	–	–	–	–	–	–	–
23	22	21	20	19	18	17	16
–	–	–	–	–	–	–	–
15	14	13	12	11	10	9	8
–	–	–	–	–	–	–	RSTSTA
7	6	5	4	3	2	1	0
TXDIS	TXEN	RXDIS	RXEN	RSTTX	RSTRX	–	–

RSTRX: Reset Receiver

0: No effect.

1: The receiver logic is reset and disabled. If a character is being received, the reception is aborted.

RSTTX: Reset Transmitter

0: No effect.

1: The transmitter logic is reset and disabled. If a character is being transmitted, the transmission is aborted.

RXEN: Receiver Enable

0: No effect.

1: The receiver is enabled if RXDIS is 0.

RXDIS: Receiver Disable

0: No effect.

1: The receiver is disabled. If a character is being processed and RSTRX is not set, the character is completed before the receiver is stopped.

TXEN: Transmitter Enable

0: No effect.

1: The transmitter is enabled if TXDIS is 0.

TXDIS: Transmitter Disable

0: No effect.

1: The transmitter is disabled. If a character is being processed and a character has been written in the UART_THR and RSTTX is not set, both characters are completed before the transmitter is stopped.

RSTSTA: Reset Status

0: No effect.

1: Resets the status bits PARE, FRAME and OVRE in the UART_SR.

43.6.2 UART Mode Register

Name: UART_MR

Address: 0xF0024004 (0), 0xF8028004 (1)

Access: Read/Write

31	30	29	28	27	26	25	24
–	–	–	–	–	–	–	–
23	22	21	20	19	18	17	16
–	–	–	–	–	–	–	–
15	14	13	12	11	10	9	8
CHMODE		–	–	PAR		–	
7	6	5	4	3	2	1	0
–	–	–	–	–	–	–	–

PAR: Parity Type

Value	Name	Description
0	EVEN	Even Parity
1	ODD	Odd Parity
2	SPACE	Space: parity forced to 0
3	MARK	Mark: parity forced to 1
4	NO	No parity

CHMODE: Channel Mode

Value	Name	Description
0	NORMAL	Normal mode
1	AUTOMATIC	Automatic echo
2	LOCAL_LOOPBACK	Local loopback
3	REMOTE_LOOPBACK	Remote loopback

SAMA5D3 SERIES

43.6.3 UART Interrupt Enable Register

Name: UART_IER

Address: 0xF0024008 (0), 0xF8028008 (1)

Access: Write-only

31	30	29	28	27	26	25	24
–	–	–	–	–	–	–	–
23	22	21	20	19	18	17	16
–	–	–	–	–	–	–	–
15	14	13	12	11	10	9	8
–	–	–	–	–	–	TXEMPTY	–
7	6	5	4	3	2	1	0
PARE	FRAME	OVRE	–	–	–	TXRDY	RXRDY

The following configuration values are valid for all listed bit names of this register:

0: No effect.

1: Enables the corresponding interrupt.

RXRDY: Enable RXRDY Interrupt

TXRDY: Enable TXRDY Interrupt

OVRE: Enable Overrun Error Interrupt

FRAME: Enable Framing Error Interrupt

PARE: Enable Parity Error Interrupt

TXEMPTY: Enable TXEMPTY Interrupt

43.6.4 UART Interrupt Disable Register

Name:UART_IDR

Address:0xF002400C (0), 0xF802800C (1)

Access:Write-only

31	30	29	28	27	26	25	24
–	–	–	–	–	–	–	–
23	22	21	20	19	18	17	16
–	–	–	–	–	–	–	–
15	14	13	12	11	10	9	8
–	–	–	–	–	–	TXEMPTY	–
7	6	5	4	3	2	1	0
PARE	FRAME	OVRE	–	–	–	TXRDY	RXRDY

The following configuration values are valid for all listed bit names of this register:

0: No effect.

1: Disables the corresponding interrupt.

RXRDY: Disable RXRDY Interrupt

TXRDY: Disable TXRDY Interrupt

OVRE: Disable Overrun Error Interrupt

FRAME: Disable Framing Error Interrupt

PARE: Disable Parity Error Interrupt

TXEMPTY: Disable TXEMPTY Interrupt

SAMA5D3 SERIES

43.6.5 UART Interrupt Mask Register

Name:UART_IMR

Address:0xF0024010 (0), 0xF8028010 (1)

Access:Read-only

31	30	29	28	27	26	25	24
–	–	–	–	–	–	–	–
23	22	21	20	19	18	17	16
–	–	–	–	–	–	–	–
15	14	13	12	11	10	9	8
–	–	–	–	–	–	TXEMPTY	–
7	6	5	4	3	2	1	0
PARE	FRAME	OVRE	–	–	–	TXRDY	RXRDY

The following configuration values are valid for all listed bit names of this register:

0: The corresponding interrupt is disabled.

1: The corresponding interrupt is enabled.

RXRDY: Mask RXRDY Interrupt

TXRDY: Disable TXRDY Interrupt

OVRE: Mask Overrun Error Interrupt

FRAME: Mask Framing Error Interrupt

PARE: Mask Parity Error Interrupt

TXEMPTY: Mask TXEMPTY Interrupt

43.6.6 UART Status Register

Name:UART_SR

Address:0xF0024014 (0), 0xF8028014 (1)

Access:Read-only

31	30	29	28	27	26	25	24
–	–	–	–	–	–	–	–
23	22	21	20	19	18	17	16
–	–	–	–	–	–	–	–
15	14	13	12	11	10	9	8
–	–	–	–	–	–	TXEMPTY	–
7	6	5	4	3	2	1	0
PARE	FRAME	OVRE	–	–	–	TXRDY	RXRDY

RXRDY: Receiver Ready

0: No character has been received since the last read of the UART_RHR, or the receiver is disabled.

1: At least one complete character has been received, transferred to UART_RHR and not yet read.

TXRDY: Transmitter Ready

0: A character has been written to UART_THR and not yet transferred to the internal shift register, or the transmitter is disabled.

1: There is no character written to UART_THR not yet transferred to the internal shift register.

OVRE: Overrun Error

0: No overrun error has occurred since the last RSTSTA.

1: At least one overrun error has occurred since the last RSTSTA.

FRAME: Framing Error

0: No framing error has occurred since the last RSTSTA.

1: At least one framing error has occurred since the last RSTSTA.

PARE: Parity Error

0: No parity error has occurred since the last RSTSTA.

1: At least one parity error has occurred since the last RSTSTA.

TXEMPTY: Transmitter Empty

0: There are characters in UART_THR, or characters being processed by the transmitter, or the transmitter is disabled.

1: There are no characters in UART_THR and there are no characters being processed by the transmitter.

SAMA5D3 SERIES

43.6.7 UART Receiver Holding Register

Name:UART_RHR

Address:0xF0024018 (0), 0xF8028018 (1)

Access:Read-only

31	30	29	28	27	26	25	24
–	–	–	–	–	–	–	–
23	22	21	20	19	18	17	16
–	–	–	–	–	–	–	–
15	14	13	12	11	10	9	8
–	–	–	–	–	–	–	–
7	6	5	4	3	2	1	0
RXCHR							

RXCHR: Received Character

Last received character if RXRDY is set.

43.6.8 UART Transmit Holding Register

Name:UART_THR

Address:0xF002401C (0), 0xF802801C (1)

Access:Write-only

31	30	29	28	27	26	25	24
–	–	–	–	–	–	–	–
23	22	21	20	19	18	17	16
–	–	–	–	–	–	–	–
15	14	13	12	11	10	9	8
–	–	–	–	–	–	–	–
7	6	5	4	3	2	1	0
TXCHR							

TXCHR: Character to be Transmitted

Next character to be transmitted after the current character if TXRDY is not set.

SAMA5D3 SERIES

43.6.9 UART Baud Rate Generator Register

Name: UART_BRGR

Address: 0xF0024020 (0), 0xF8028020 (1)

Access: Read/Write

31	30	29	28	27	26	25	24
–	–	–	–	–	–	–	–
23	22	21	20	19	18	17	16
–	–	–	–	–	–	–	–
15	14	13	12	11	10	9	8
CD							
7	6	5	4	3	2	1	0
CD							

CD: Clock Divisor

0: Baud rate clock is disabled

1 to 65,535:

$$CD = \frac{f_{\text{peripheral clock}}}{16 \times \text{Baud Rate}}$$

44. Universal Synchronous Asynchronous Receiver Transmitter (USART)

44.1 Description

The Universal Synchronous Asynchronous Receiver Transceiver (USART) provides one full duplex universal synchronous asynchronous serial link. Data frame format is widely programmable (data length, parity, number of stop bits) to support a maximum of standards. The receiver implements parity error, framing error and overrun error detection. The receiver time-out enables handling variable-length frames and the transmitter timeguard facilitates communications with slow remote devices. Multidrop communications are also supported through address bit handling in reception and transmission.

The USART features three test modes: Remote Loopback, Local Loopback and Automatic Echo.

The USART supports specific operating modes providing interfaces on RS485, and SPI buses, with ISO7816 T = 0 or T = 1 smart card slots and infrared transceivers. The hardware handshaking feature enables an out-of-band flow control by automatic management of the pins RTS and CTS.

The USART supports the connection to the DMA Controller, which enables data transfers to the transmitter and from the receiver. The DMAC provides chained buffer management without any intervention of the processor.

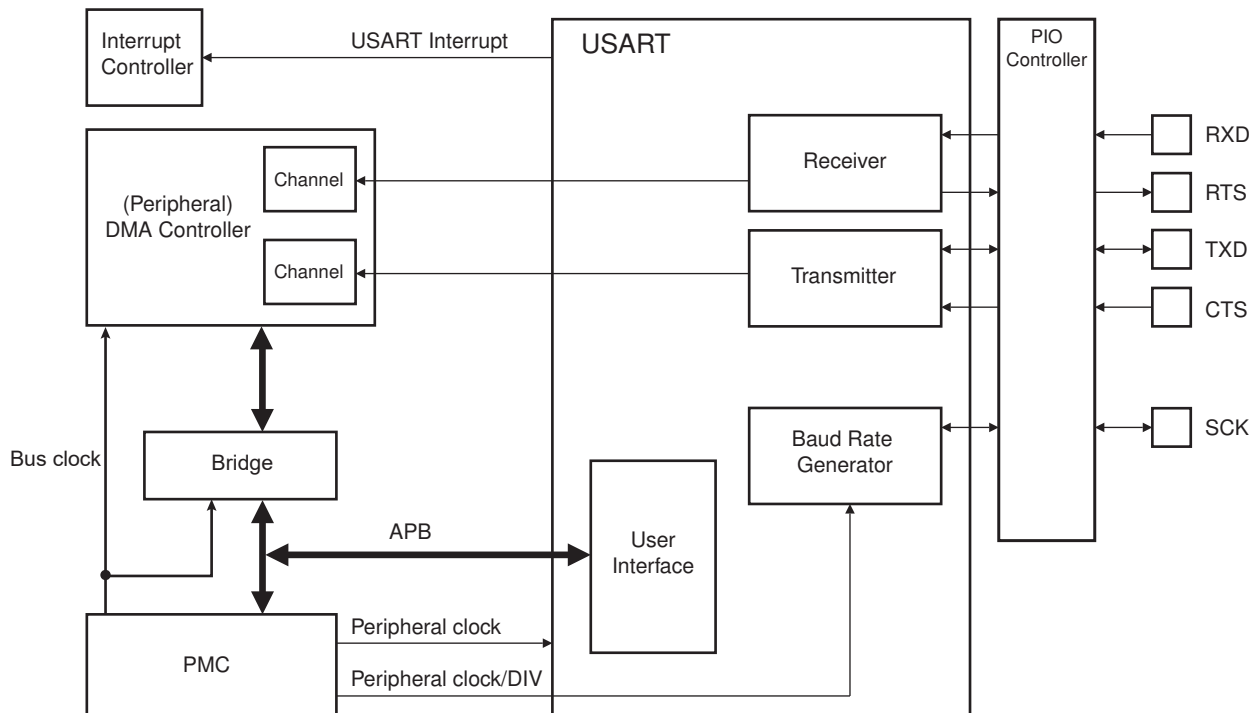
44.2 Embedded Characteristics

- Programmable Baud Rate Generator
- 5- to 9-bit Full-duplex Synchronous or Asynchronous Serial Communications
 - 1, 1.5 or 2 Stop Bits in Asynchronous Mode or 1 or 2 Stop Bits in Synchronous Mode
 - Parity Generation and Error Detection
 - Framing Error Detection, Overrun Error Detection
 - Digital Filter on Receive Line
 - MSB- or LSB-first
 - Optional Break Generation and Detection
 - By 8 or by 16 Oversampling Receiver Frequency
 - Optional Hardware Handshaking RTS-CTS
 - Receiver Time-out and Transmitter Timeguard
 - Optional Multidrop Mode with Address Generation and Detection
- RS485 with Driver Control Signal
- ISO7816, T = 0 or T = 1 Protocols for Interfacing with Smart Cards
 - NACK Handling, Error Counter with Repetition and Iteration Limit
- IrDA Modulation and Demodulation
 - Communication at up to 115.2 kbit/s
- SPI Mode
 - Master or Slave
 - Serial Clock Programmable Phase and Polarity
 - SPI Serial Clock (SCK) Frequency up to $f_{\text{peripheral clock}}/6$
- Test Modes
 - Remote Loopback, Local Loopback, Automatic Echo
- Supports Connection of:
 - Two DMA Controller Channels (DMAC)
- Offers Buffer Transfer without Processor Intervention
- Register Write Protection

SAMA5D3 SERIES

44.3 Block Diagram

Figure 44-1: USART Block Diagram



44.4 I/O Lines Description

Table 44-1: I/O Line Description

Name	Description	Type	Active Level
SCK	Serial Clock	I/O	—
TXD	Transmit Serial Data or Master Out Slave In (MOSI) in SPI Master mode or Master In Slave Out (MISO) in SPI Slave mode	I/O	—
RXD	Receive Serial Data or Master In Slave Out (MISO) in SPI Master mode or Master Out Slave In (MOSI) in SPI Slave mode	Input	—
CTS	Clear to Send or Slave Select (NSS) in SPI Slave mode	Input	Low
RTS	Request to Send or Slave Select (NSS) in SPI Master mode	Output	Low

44.5 Product Dependencies

44.5.1 I/O Lines

The pins used for interfacing the USART may be multiplexed with the PIO lines. The programmer must first program the PIO controller to assign the desired USART pins to their peripheral function. If I/O lines of the USART are not used by the application, they can be used for other purposes by the PIO Controller.

Table 44-2: I/O Lines

Instance	Signal	I/O Line	Peripheral
USART0	CTS0	PD15	A
USART0	RTS0	PD16	A
USART0	RXD0	PD17	A
USART0	SCK0	PD14	A
USART0	TXD0	PD18	A
USART1	CTS1	PB26	A
USART1	RTS1	PB27	A
USART1	RXD1	PB28	A
USART1	SCK1	PB25	A
USART1	TXD1	PB29	A
USART2	CTS2	PE23	B
USART2	RTS2	PE24	B
USART2	RXD2	PE25	B
USART2	SCK2	PE20	B
USART2	TXD2	PE26	B
USART3	CTS3	PE16	B
USART3	RTS3	PE17	B
USART3	RXD3	PE18	B
USART3	SCK3	PE15	B
USART3	TXD3	PE19	B

44.5.2 Power Management

The USART is not continuously clocked. The programmer must first enable the USART clock in the Power Management Controller (PMC) before using the USART. However, if the application does not require USART operations, the USART clock can be stopped when not needed and be restarted later. In this case, the USART will resume its operations where it left off.

44.5.3 Interrupt Sources

The USART interrupt line is connected on one of the internal sources of the Interrupt Controller. Using the USART interrupt requires the Interrupt Controller to be programmed first.

Table 44-3: Peripheral IDs

Instance	ID
USART0	12
USART1	13
USART2	14
USART3	15

44.6 Functional Description

44.6.1 Baud Rate Generator

The baud rate generator provides the bit period clock, also named the baud rate clock, to both the receiver and the transmitter.

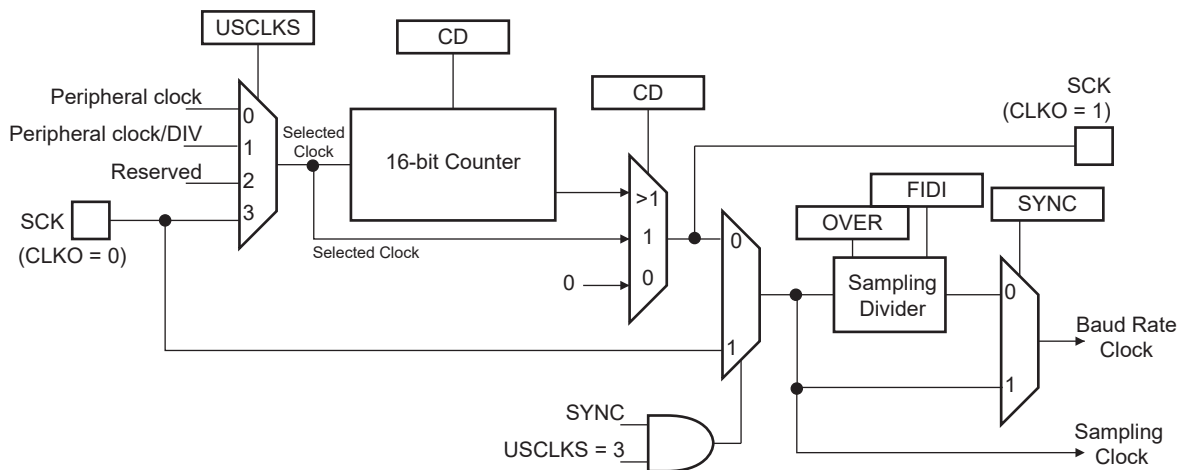
The baud rate generator clock source is selected by configuring the USCLKS field in the USART Mode Register (US_MR) to one of the following:

- The peripheral clock
- A division of the peripheral clock, where the divider is product-dependent, but generally set to 8
- The external clock, available on the SCK pin

The baud rate generator is based upon a 16-bit divider, which is programmed with the CD field of the Baud Rate Generator register (US_BRGR). If a 0 is written to CD, the baud rate generator does not generate any clock. If a 1 is written to CD, the divider is bypassed and becomes inactive.

If the external SCK clock is selected, the duration of the low and high levels of the signal provided on the SCK pin must be longer than a peripheral clock period. The frequency of the signal provided on SCK must be at least 3 times lower than the frequency provided on the peripheral clock in USART mode (field USART_MODE differs from 0xE or 0xF), or 6 times lower in SPI mode (field USART_MODE equals 0xE or 0xF).

Figure 44-2: Baud Rate Generator



44.6.1.1 Baud Rate in Asynchronous Mode

If the USART is programmed to operate in Asynchronous mode, the selected clock is first divided by CD, which is field programmed in the US_BRGR. The resulting clock is provided to the receiver as a sampling clock and then divided by 16 or 8, depending on how the OVER bit in the US_MR is programmed.

If OVER is set, the receiver sampling is eight times higher than the baud rate clock. If OVER is cleared, the sampling is performed at 16 times the baud rate clock.

The baud rate is calculated as per the following formula:

$$\text{Baud Rate} = \frac{\text{Selected Clock}}{(8(2 - \text{OVER})CD)}$$

This gives a maximum baud rate of peripheral clock divided by 8, assuming that the peripheral clock is the highest possible clock and that the OVER bit is set.

- Baud Rate Calculation Example

Table 44-4 shows calculations of CD to obtain a baud rate at 38,400 bit/s for different source clock frequencies. This table also shows the actual resulting baud rate and the error.

Table 44-4: Baud Rate Example (OVER = 0)

Source Clock (MHz)	Expected Baud Rate (bit/s)	Calculation Result	CD	Actual Baud Rate (bit/s)	Error
3,686,400	38,400	6.00	6	38,400.00	0.00%
4,915,200	38,400	8.00	8	38,400.00	0.00%
5,000,000	38,400	8.14	8	39,062.50	1.70%
7,372,800	38,400	12.00	12	38,400.00	0.00%
8,000,000	38,400	13.02	13	38,461.54	0.16%
12,000,000	38,400	19.53	20	37,500.00	2.40%
12,288,000	38,400	20.00	20	38,400.00	0.00%
14,318,180	38,400	23.30	23	38,908.10	1.31%
14,745,600	38,400	24.00	24	38,400.00	0.00%
18,432,000	38,400	30.00	30	38,400.00	0.00%
24,000,000	38,400	39.06	39	38,461.54	0.16%
24,576,000	38,400	40.00	40	38,400.00	0.00%
25,000,000	38,400	40.69	40	38,109.76	0.76%
32,000,000	38,400	52.08	52	38,461.54	0.16%
32,768,000	38,400	53.33	53	38,641.51	0.63%
33,000,000	38,400	53.71	54	38,194.44	0.54%
40,000,000	38,400	65.10	65	38,461.54	0.16%
50,000,000	38,400	81.38	81	38,580.25	0.47%

In this example, the baud rate is calculated with the following formula:

$$\text{Baud Rate} = \text{Selected Clock} / CD \times 16$$

The baud rate error is calculated with the following formula. It is not recommended to work with an error higher than 5%.

$$\text{Error} = 1 - \left(\frac{\text{Expected Baud Rate}}{\text{Actual Baud Rate}} \right)$$

44.6.1.2 Fractional Baud Rate in Asynchronous Mode

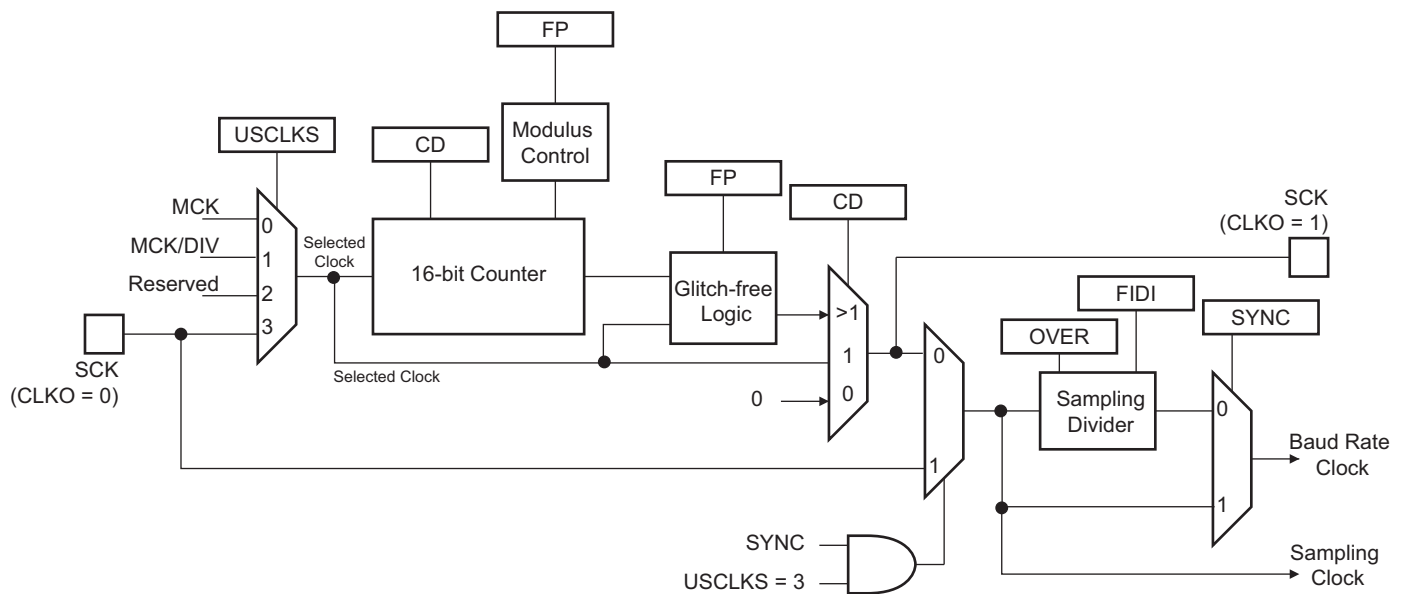
The baud rate generator is subject to the following limitation: the output frequency changes only by integer multiples of the reference frequency. An approach to this problem is to integrate a fractional N clock generator that has a high resolution. The generator architecture is modified to obtain baud rate changes by a fraction of the reference source clock. This fractional part is programmed with the FP field in the US_BRGR. If FP is not 0, the fractional part is activated. The resolution is one eighth of the clock divider. This feature is only available when using USART normal mode. The fractional baud rate is calculated using the following formula:

$$\text{Baud Rate} = \frac{\text{Selected Clock}}{\left(8(2 - \text{OVER}) \left(CD + \frac{FP}{8} \right) \right)}$$

The modified architecture is presented in the following [Figure 44-3](#).

SAMA5D3 SERIES

Figure 44-3: Fractional Baud Rate Generator



Warning: When the value of field FP is greater than 0, the SCK (oversampling clock) generates non-constant duty cycles. The SCK high duration is increased by “selected clock” period from time to time. The duty cycle depends on the value of the CD field.

44.6.1.3 Baud Rate in Synchronous Mode or SPI Mode

If the USART is programmed to operate in Synchronous mode, the selected clock is simply divided by the field CD in the US_BRGR.

$$\text{Baud Rate} = \frac{\text{Selected Clock}}{CD}$$

In Synchronous mode, if the external clock is selected (USCLKS = 3), the clock is provided directly by the signal on the USART SCK pin. No division is active. The value written in US_BRGR has no effect. The external clock frequency must be at least 3 times lower than the system clock. In Master mode, Synchronous mode (USCLKS = 0 or 1, CLKO set to 1), the receive part limits the SCK maximum frequency to Selected Clock/3 in USART mode, or Selected Clock/6 in SPI mode.

When either the external clock SCK or the internal clock divided (peripheral clock/DIV) is selected, the value programmed in CD must be even if the user has to ensure a 50:50 mark/space ratio on the SCK pin. When the peripheral clock is selected, the baud rate generator ensures a 50:50 duty cycle on the SCK pin, even if the value programmed in CD is odd.

44.6.1.4 Baud Rate in ISO 7816 Mode

The ISO7816 specification defines the bit rate with the following formula:

$$B = \frac{D_i}{F_i} \times f$$

where:

- B is the bit rate
- Di is the bit-rate adjustment factor
- Fi is the clock frequency division factor
- f is the ISO7816 clock frequency (Hz)

Di is a binary value encoded on a 4-bit field, named DI, as represented in [Table 44-5](#).

Table 44-5: Binary and Decimal Values for Di

DI field	0001	0010	0011	0100	0101	0110	1000	1001
Di (decimal)	1	2	4	8	16	32	12	20

Fi is a binary value encoded on a 4-bit field, named FI, as represented in [Table 44-6](#).

Table 44-6: Binary and Decimal Values for Fi

Fi field	0000	0001	0010	0011	0100	0101	0110	1001	1010	1011	1100	1101
Fi (decimal)	372	372	558	744	1116	1488	1860	512	768	1024	1536	2048

[Table 44-7](#) shows the resulting Fi/Di ratio, which is the ratio between the ISO7816 clock and the baud rate clock.

Table 44-7: Possible Values for the Fi/Di Ratio

Fi/Di	372	558	744	1116	1488	1806	512	768	1024	1536	2048
1	372	558	744	1116	1488	1860	512	768	1024	1536	2048
2	186	279	372	558	744	930	256	384	512	768	1024
4	93	139.5	186	279	372	465	128	192	256	384	512
8	46.5	69.75	93	139.5	186	232.5	64	96	128	192	256
16	23.25	34.87	46.5	69.75	93	116.2	32	48	64	96	128
32	11.62	17.43	23.25	34.87	46.5	58.13	16	24	32	48	64
12	31	46.5	62	93	124	155	42.66	64	85.33	128	170.6
20	18.6	27.9	37.2	55.8	74.4	93	25.6	38.4	51.2	76.8	102.4

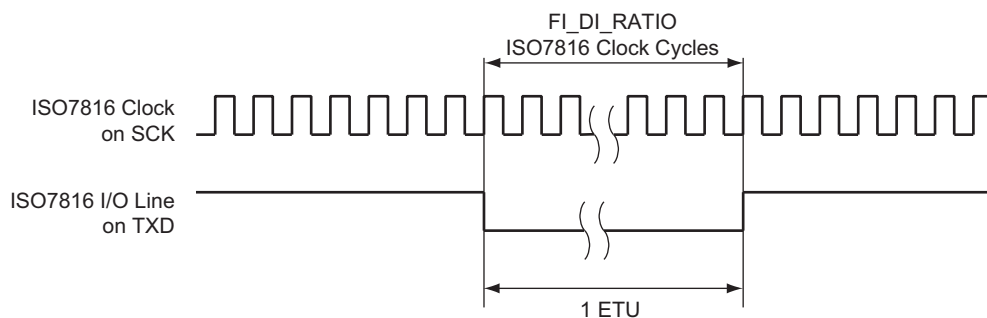
If the USART is configured in ISO7816 mode, the clock selected by the USCLKS field in US_MR is first divided by the value programmed in the field CD in the US_BRGR. The resulting clock can be provided to the SCK pin to feed the smart card clock inputs. This means that the CLKO bit can be set in US_MR.

This clock is then divided by the value programmed in the FI_DI_RATIO field in the FI_DI_Ratio register (US_FIDI). This is performed by the Sampling Divider, which performs a division by up to 2047 in ISO7816 mode. The non-integer values of the Fi/Di Ratio are not supported and the user must program the FI_DI_RATIO field to a value as close as possible to the expected value.

The FI_DI_RATIO field resets to the value 0x174 (372 in decimal) and is the most common divider between the ISO7816 clock and the bit rate (Fi = 372, Di = 1).

[Figure 44-4](#) shows the relation between the Elementary Time Unit, corresponding to a bit time, and the ISO 7816 clock.

Figure 44-4: Elementary Time Unit (ETU)



44.6.2 Receiver and Transmitter Control

After reset, the receiver is disabled. The user must enable the receiver by setting the RXEN bit in the Control register (US_CR). However, the receiver registers can be programmed before the receiver clock is enabled.

After reset, the transmitter is disabled. The user must enable it by setting the TXEN bit in the US_CR. However, the transmitter registers can be programmed before being enabled.

The receiver and the transmitter can be enabled together or independently.

SAMA5D3 SERIES

At any time, the software can perform a reset on the receiver or the transmitter of the USART by setting the corresponding bit, RSTRX and RSTTX respectively, in the US_CR. The software resets clear the status flag and reset internal state machines but the user interface configuration registers hold the value configured prior to software reset. Regardless of what the receiver or the transmitter is performing, the communication is immediately stopped.

The user can also independently disable the receiver or the transmitter by setting RXDIS and TXDIS respectively in the US_CR. If the receiver is disabled during a character reception, the USART waits until the end of reception of the current character, then the reception is stopped. If the transmitter is disabled while it is operating, the USART waits the end of transmission of both the current character and character being stored in the Transmit Holding register (US_THR). If a timeguard is programmed, it is handled normally.

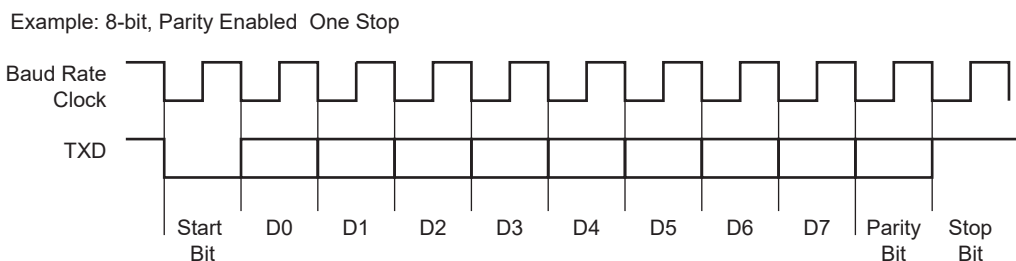
44.6.3 Synchronous and Asynchronous Modes

44.6.3.1 Transmitter Operations

The transmitter performs the same in both Synchronous and Asynchronous operating modes (SYNC = 0 or SYNC = 1). One start bit, up to 9 data bits, one optional parity bit and up to two stop bits are successively shifted out on the TXD pin at each falling edge of the programmed serial clock.

The number of data bits is selected by the CHRL field and the MODE 9 bit in US_MR. Nine bits are selected by setting the MODE 9 bit regardless of the CHRL field. The parity bit is set according to the PAR field in US_MR. The even, odd, space, marked or none parity bit can be configured. The MSBF field in the US_MR configures which data bit is sent first. If written to 1, the most significant bit is sent first. If written to 0, the less significant bit is sent first. The number of stop bits is selected by the NBSTOP field in the US_MR. The 1.5 stop bit is supported in Asynchronous mode only.

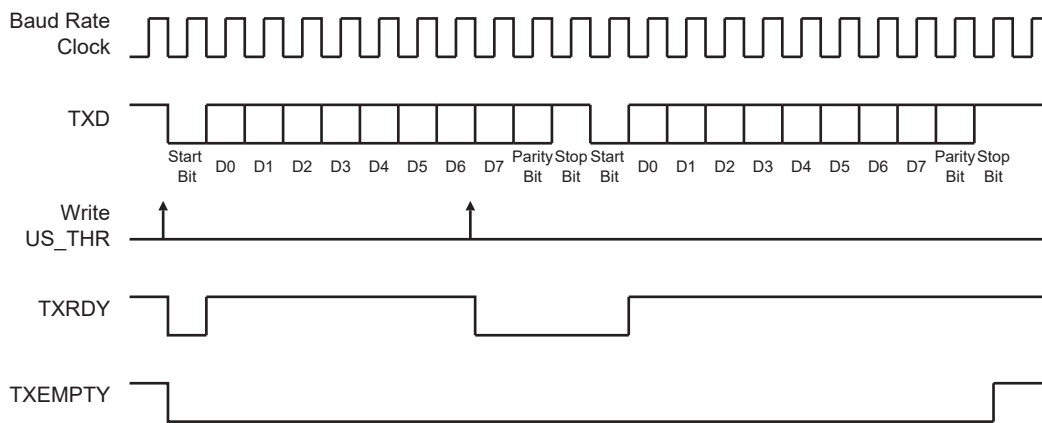
Figure 44-5: Character Transmit



The characters are sent by writing in the Transmit Holding register (US_THR). The transmitter reports two status bits in the Channel Status register (US_CSR): TXRDY (Transmitter Ready), which indicates that US_THR is empty and TXEMPTY, which indicates that all the characters written in US_THR have been processed. When the current character processing is completed, the last character written in US_THR is transferred into the Shift register of the transmitter and US_THR becomes empty, thus TXRDY rises.

Both TXRDY and TXEMPTY bits are low when the transmitter is disabled. Writing a character in US_THR while TXRDY is low has no effect and the written character is lost.

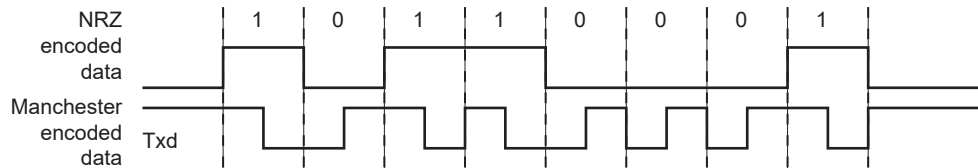
Figure 44-6: Transmitter Status



44.6.3.2 Manchester Encoder

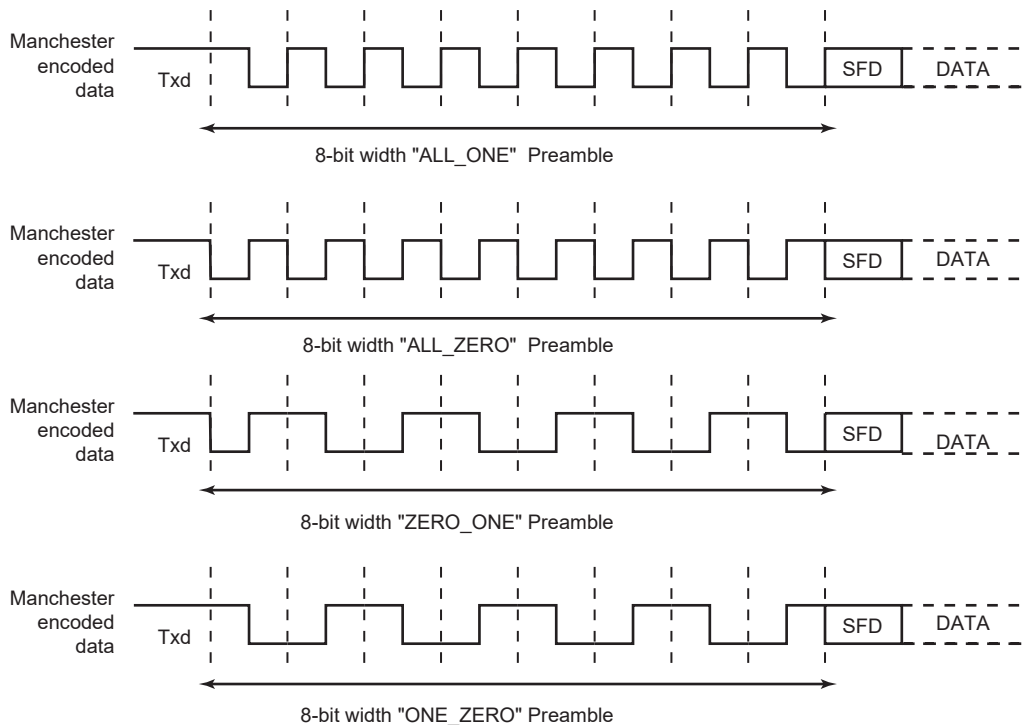
When the Manchester encoder is in use, characters transmitted through the USART are encoded based on biphase Manchester II format. To enable this mode, set the MAN bit in the US_MR to 1. Depending on polarity configuration, a logic level (zero or one), is transmitted as a coded signal one-to-zero or zero-to-one. Thus, a transition always occurs at the midpoint of each bit time. It consumes more bandwidth than the original NRZ signal (2x) but the receiver has more error control since the expected input must show a change at the center of a bit cell. An example of Manchester encoded sequence is: the byte 0xB1 or 10110001 encodes to 10 01 10 10 01 01 01 10, assuming the default polarity of the encoder. [Figure 44-7](#) illustrates this coding scheme.

Figure 44-7: NRZ to Manchester Encoding



The Manchester encoded character can also be encapsulated by adding both a configurable preamble and a start frame delimiter pattern. Depending on the configuration, the preamble is a training sequence, composed of a predefined pattern with a programmable length from 1 to 15 bit times. If the preamble length is set to 0, the preamble waveform is not generated prior to any character. The preamble pattern is chosen among the following sequences: ALL_ONE, ALL_ZERO, ONE_ZERO or ZERO_ONE, writing the field TX_PP in the US_MAN register, the field TX_PL is used to configure the preamble length. [Figure 44-8](#) illustrates and defines the valid patterns. To improve flexibility, the encoding scheme can be configured using the TX_MPOL field in the US_MAN register. If the TX_MPOL field is set to zero (default), a logic zero is encoded with a zero-to-one transition and a logic one is encoded with a one-to-zero transition. If the TX_MPOL field is set to 1, a logic one is encoded with a one-to-zero transition and a logic zero is encoded with a zero-to-one transition.

Figure 44-8: Preamble Patterns, Default Polarity Assumed

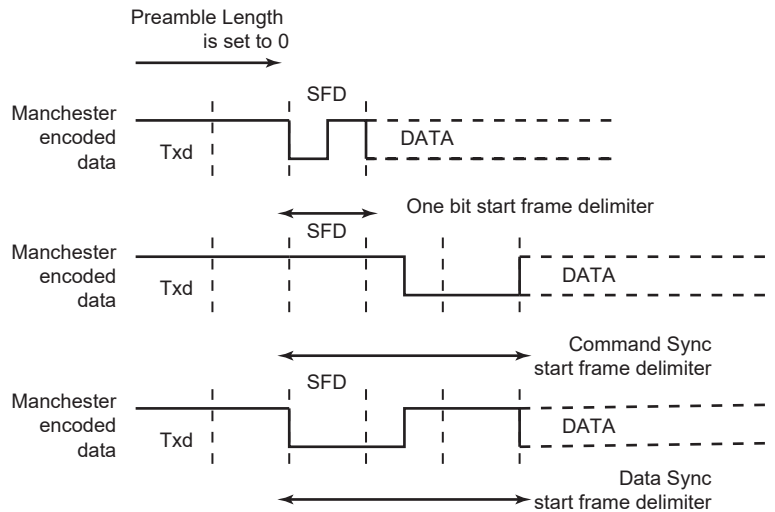


A start frame delimiter is to be configured using the ONEBIT bit in the US_MR. It consists of a user-defined pattern that indicates the beginning of a valid data. [Figure 44-9](#) illustrates these patterns. If the start frame delimiter, also known as the start bit, is one bit, (ONEBIT = 1), a logic zero is Manchester encoded and indicates that a new character is being sent serially on the line. If the start frame delimiter is a synchronization pattern also referred to as sync (ONEBIT to 0), a sequence of three bit times is sent serially on the line to indicate the start of a new character. The sync waveform is in itself an invalid Manchester waveform as the transition occurs at the middle of the second bit time. Two distinct sync patterns are used: the command sync and the data sync. The command sync has a logic one level for one and a

SAMA5D3 SERIES

half bit times, then a transition to logic zero for the second one and a half bit times. If the MODSYNC bit in the US_MR is set to 1, the next character is a command. If it is set to 0, the next character is a data. When direct memory access is used, the MODSYNC field can be immediately updated with a modified character located in memory. To enable this mode, VAR_SYNC bit in US_MR must be set to 1. In this case, the MODSYNC bit in the US_MR is bypassed and the sync configuration is held in the TXSYNH in the US_THR. The USART character format is modified and includes sync information.

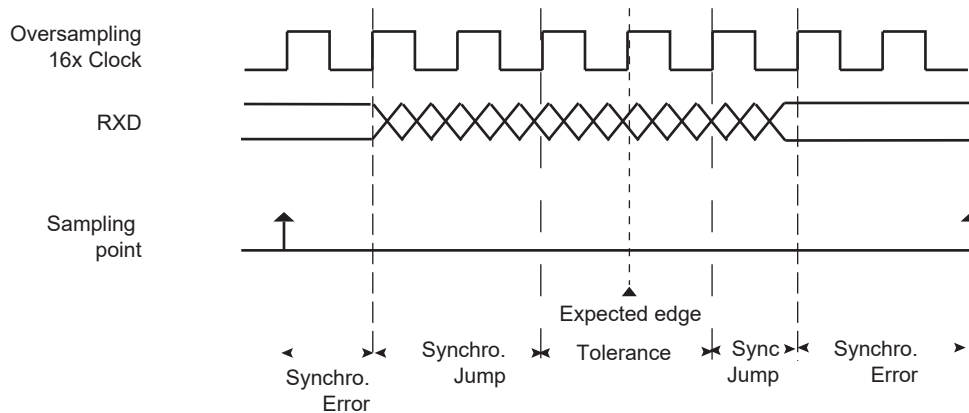
Figure 44-9: Start Frame Delimiter



- Drift Compensation

Drift compensation is available only in 16X Oversampling mode. An hardware recovery system allows a larger clock drift. To enable the hardware system, the bit in the USART_MAN register must be set. If the RXD edge is one 16X clock cycle from the expected edge, this is considered as normal jitter and no corrective actions is taken. If the RXD event is between 4 and 2 clock cycles before the expected edge, then the current period is shortened by one clock cycle. If the RXD event is between 2 and 3 clock cycles after the expected edge, then the current period is lengthened by one clock cycle. These intervals are considered to be drift and so corrective actions are automatically taken.

Figure 44-10: Bit Resynchronization



44.6.3.3 Asynchronous Receiver

If the USART is programmed in Asynchronous operating mode (SYNC = 0), the receiver oversamples the RXD input line. The oversampling is either 16 or 8 times the baud rate clock, depending on the OVER bit in the US_MR.

The receiver samples the RXD line. If the line is sampled during one half of a bit time to 0, a start bit is detected and data, parity and stop bits are successively sampled on the bit rate clock.

If the oversampling is 16 (OVER = 0), a start is detected at the eighth sample to 0. Data bits, parity bit and stop bit are assumed to have a duration corresponding to 16 oversampling clock cycles. If the oversampling is 8 (OVER = 1), a start bit is detected at the fourth sample to 0. Data bits, parity bit and stop bit are assumed to have a duration corresponding to 8 oversampling clock cycles.

The number of data bits, first bit sent and Parity mode are selected by the same fields and bits as the transmitter, i.e., respectively CHRL, MODE9, MSBF and PAR. For the synchronization mechanism **only**, the number of stop bits has no effect on the receiver as it considers only one stop bit, regardless of the field NBSTOP, so that resynchronization between the receiver and the transmitter can occur. Moreover, as soon as the stop bit is sampled, the receiver starts looking for a new start bit so that resynchronization can also be accomplished when the transmitter is operating with one stop bit.

Figure 44-11 and Figure 44-12 illustrate start detection and character reception when USART operates in Asynchronous mode.

Figure 44-11: Asynchronous Start Detection

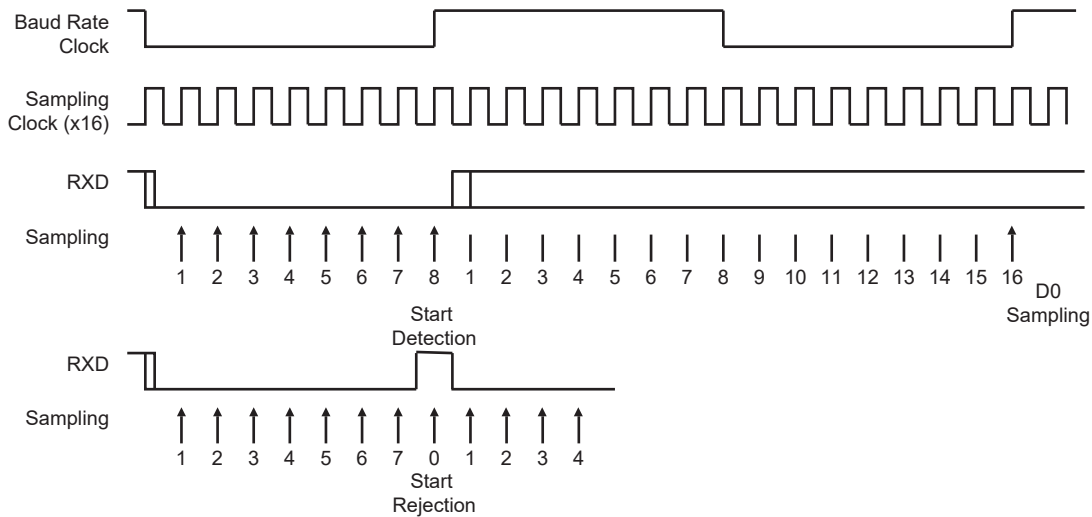
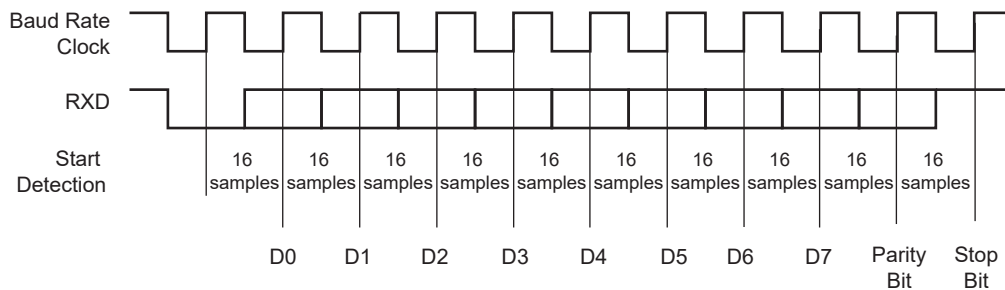


Figure 44-12: Asynchronous Character Reception

Example: 8-bit, Parity Enabled



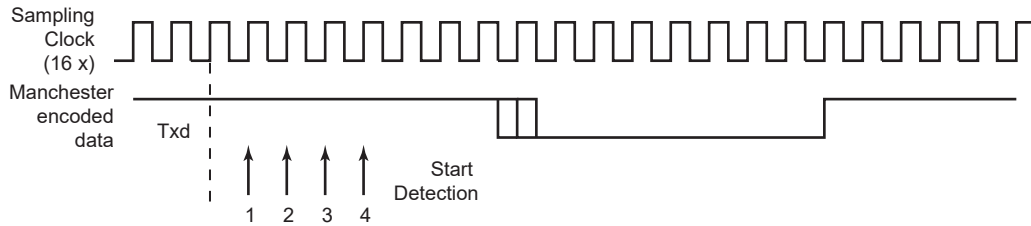
44.6.3.4 Manchester Decoder

When the MAN bit in the US_MR is set to 1, the Manchester decoder is enabled. The decoder performs both preamble and start frame delimiter detection. One input line is dedicated to Manchester encoded input data.

An optional preamble sequence can be defined, its length is user-defined and totally independent of the emitter side. Use RX_PL in US_MAN register to configure the length of the preamble sequence. If the length is set to 0, no preamble is detected and the function is disabled. In addition, the polarity of the input stream is programmable with RX_MPOL bit in US_MAN register. Depending on the desired application the preamble pattern matching is to be defined via the RX_PP field in US_MAN. See Figure 44-8 for available preamble patterns.

Unlike preamble, the start frame delimiter is shared between Manchester Encoder and Decoder. So, if ONEBIT field is set to 1, only a zero encoded Manchester can be detected as a valid start frame delimiter. If ONEBIT is set to 0, only a sync pattern is detected as a valid start frame delimiter. Decoder operates by detecting transition on incoming stream. If RXD is sampled during one quarter of a bit time to zero, a start bit is detected. See Figure 44-13. The sample pulse rejection mechanism applies.

Figure 44-13: Asynchronous Start Bit Detection



The receiver is activated and starts preamble and frame delimiter detection, sampling the data at one quarter and then three quarters. If a valid preamble pattern or start frame delimiter is detected, the receiver continues decoding with the same synchronization. If the stream does not match a valid pattern or a valid start frame delimiter, the receiver resynchronizes on the next valid edge. The minimum time threshold to estimate the bit value is three quarters of a bit time.

If a valid preamble (if used) followed with a valid start frame delimiter is detected, the incoming stream is decoded into NRZ data and passed to USART for processing. Figure 44-14 illustrates Manchester pattern mismatch. When incoming data stream is passed to the USART, the receiver is also able to detect Manchester code violation. A code violation is a lack of transition in the middle of a bit cell. In this case, the MANERR flag in the US_CSR is raised. It is cleared by writing a 1 to the RSTSTA in the US_CR. See Figure 44-15 for an example of Manchester error detection during data phase.

Figure 44-14: Preamble Pattern Mismatch

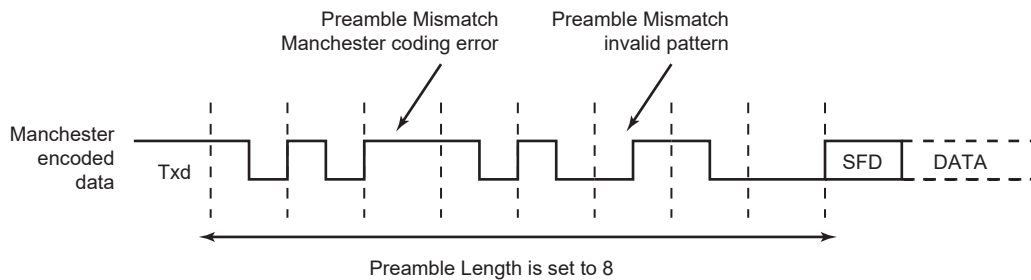
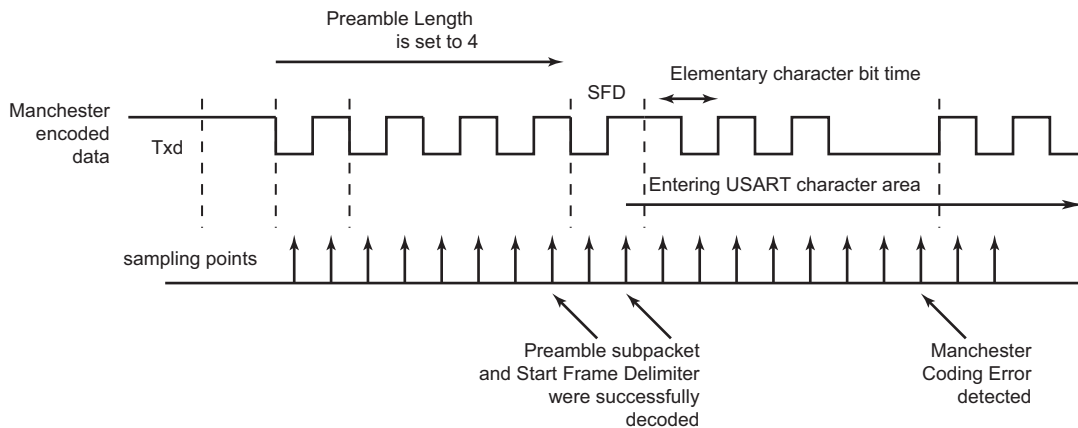


Figure 44-15: Manchester Error Flag



When the start frame delimiter is a sync pattern (ONEBIT field to 0), both command and data delimiter are supported. If a valid sync is detected, the received character is written as RXCHR field in the US_RHR and the RXSYNH is updated. RXCHR is set to 1 when the received character is a command, and it is set to 0 if the received character is a data. This mechanism alleviates and simplifies the direct memory access as the character contains its own sync field in the same register.

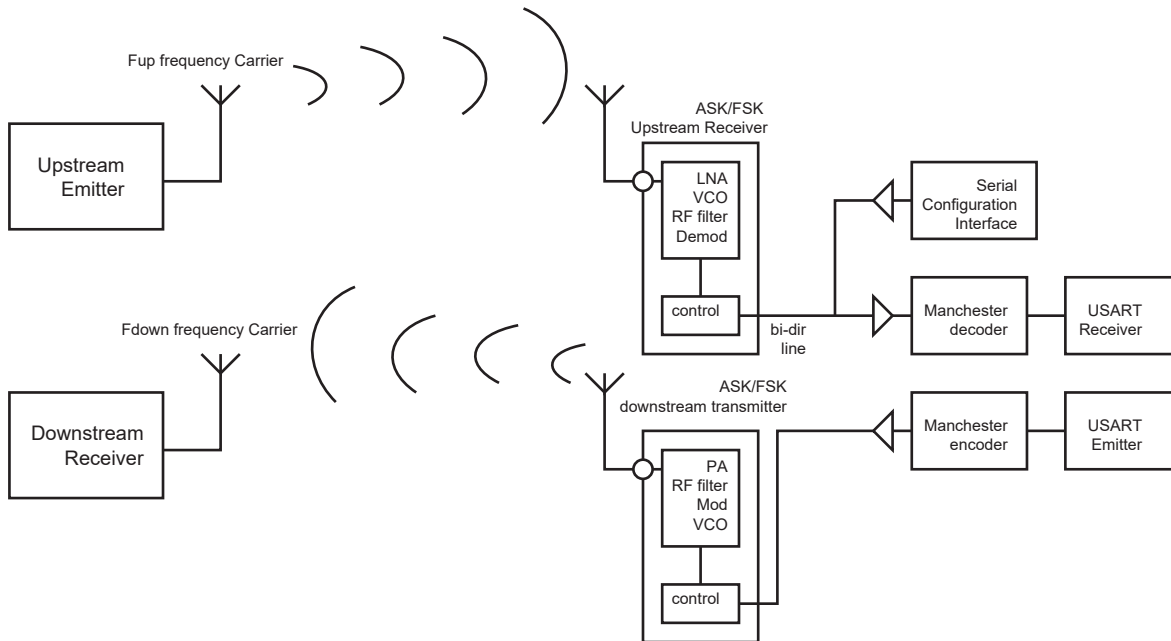
As the decoder is setup to be used in Unipolar mode, the first bit of the frame has to be a zero-to-one transition.

44.6.3.5 Radio Interface: Manchester Encoded USART Application

This section describes low data rate RF transmission systems and their integration with a Manchester encoded USART. These systems are based on transmitter and receiver ICs that support ASK and FSK modulation schemes.

The goal is to perform full duplex radio transmission of characters using two different frequency carriers. See the configuration in [Figure 44-16](#).

Figure 44-16: Manchester Encoded Characters RF Transmission



The USART peripheral is configured as a Manchester encoder/decoder. Looking at the downstream communication channel, Manchester encoded characters are serially sent to the RF emitter. This may also include a user defined preamble and a start frame delimiter. Mostly, preamble is used in the RF receiver to distinguish between a valid data from a transmitter and signals due to noise. The Manchester stream is then modulated. See [Figure 44-17](#) for an example of ASK modulation scheme. When a logic one is sent to the ASK modulator, the power amplifier, referred to as PA, is enabled and transmits an RF signal at downstream frequency. When a logic zero is transmitted, the RF signal is turned off. If the FSK modulator is activated, two different frequencies are used to transmit data. When a logic 1 is sent, the modulator outputs an RF signal at frequency F_0 and switches to F_1 if the data sent is a 0. See [Figure 44-18](#).

From the receiver side, another carrier frequency is used. The RF receiver performs a bit check operation examining demodulated data stream. If a valid pattern is detected, the receiver switches to Receiving mode. The demodulated stream is sent to the Manchester decoder. Because of bit checking inside RF IC, the data transferred to the microcontroller is reduced by a user-defined number of bits. The Manchester preamble length is to be defined in accordance with the RF IC configuration.

Figure 44-17: ASK Modulator Output

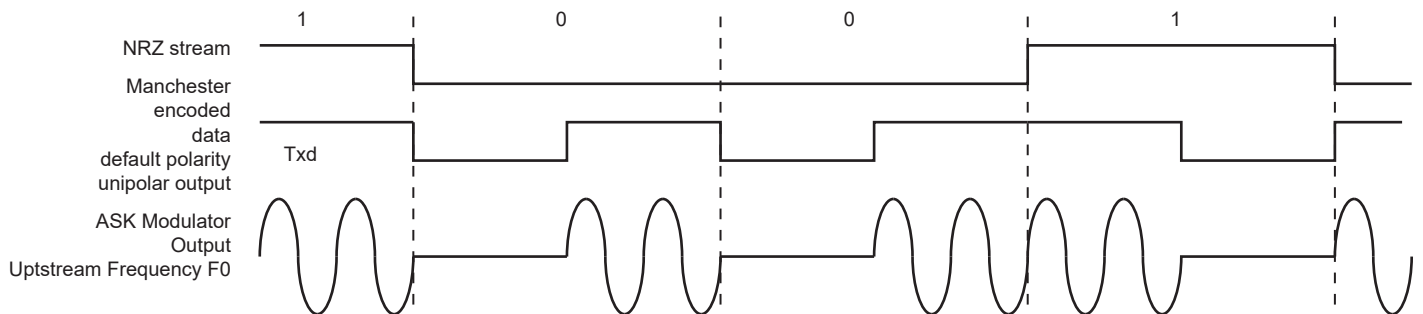
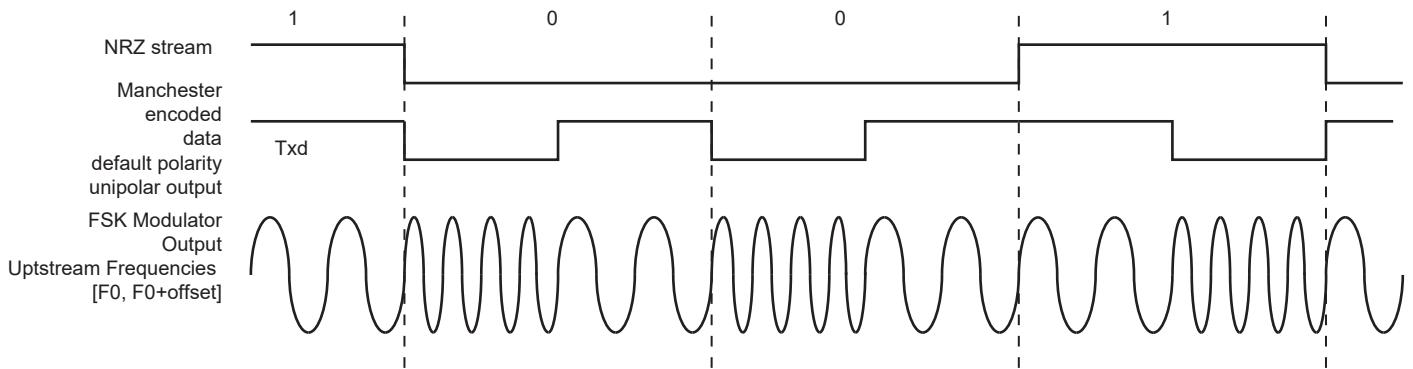


Figure 44-18: FSK Modulator Output



44.6.3.6 Synchronous Receiver

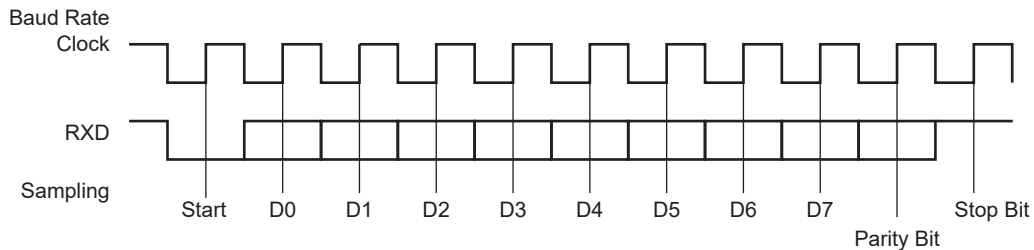
In Synchronous mode (SYNC = 1), the receiver samples the RXD signal on each rising edge of the baud rate clock. If a low level is detected, it is considered as a start. All data bits, the parity bit and the stop bits are sampled and the receiver waits for the next start bit. Synchronous mode operations provide a high-speed transfer capability.

Configuration fields and bits are the same as in Asynchronous mode.

Figure 44-19 illustrates a character reception in Synchronous mode.

Figure 44-19: Synchronous Mode Character Reception

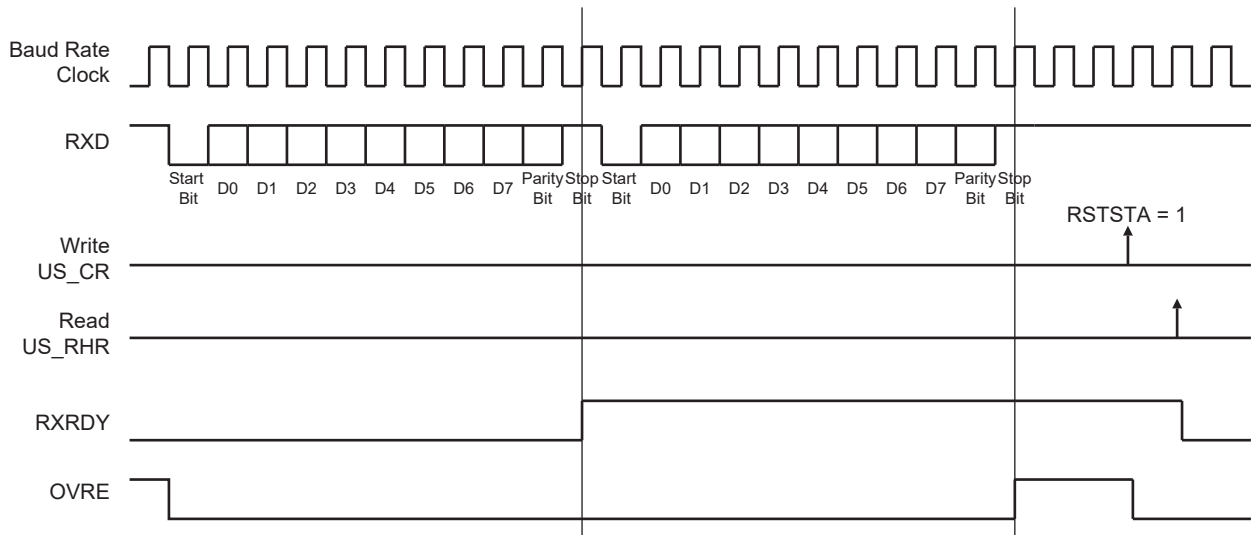
Example: 8-bit, Parity Enabled 1 Stop



44.6.3.7 Receiver Operations

When a character reception is completed, it is transferred to the Receive Holding register (US_RHR) and the RXRDY bit in US_CSR rises. If a character is completed while the RXRDY is set, the OVRE (Overrun Error) bit is set. The last character is transferred into US_RHR and overwrites the previous one. The OVRE bit is cleared by writing a 1 to the RSTSTA (Reset Status) bit in the US_CR.

Figure 44-20: Receiver Status



44.6.3.8 Parity

The USART supports five Parity modes that are selected by writing to the PAR field in the US_MR. The PAR field also enables the Multidrop mode, see [Section 44.6.3.9 Multidrop Mode](#). Even and odd parity bit generation and error detection are supported.

If even parity is selected, the parity generator of the transmitter drives the parity bit to 0 if a number of 1s in the character data bit is even, and to 1 if the number of 1s is odd. Accordingly, the receiver parity checker counts the number of received 1s and reports a parity error if the sampled parity bit does not correspond. If odd parity is selected, the parity generator of the transmitter drives the parity bit to 1 if a number of 1s in the character data bit is even, and to 0 if the number of 1s is odd. Accordingly, the receiver parity checker counts the number of received 1s and reports a parity error if the sampled parity bit does not correspond. If the mark parity is used, the parity generator of the transmitter drives the parity bit to 1 for all characters. The receiver parity checker reports an error if the parity bit is sampled to 0. If the space parity is used, the parity generator of the transmitter drives the parity bit to 0 for all characters. The receiver parity checker reports an error if the parity bit is sampled to 1. If parity is disabled, the transmitter does not generate any parity bit and the receiver does not report any parity error.

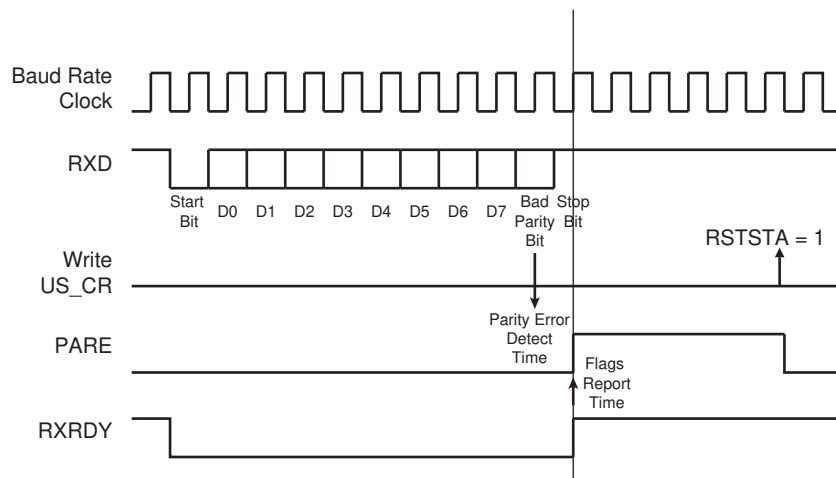
[Table 44-8](#) shows an example of the parity bit for the character 0x41 (character ASCII "A") depending on the configuration of the USART. Because there are two bits set to 1 in the character value, the parity bit is set to 1 when the parity is odd, or configured to 0 when the parity is even.

Table 44-8: Parity Bit Examples

Character	Hexadecimal	Binary	Parity Bit	Parity Mode
A	0x41	0100 0001	1	Odd
A	0x41	0100 0001	0	Even
A	0x41	0100 0001	1	Mark
A	0x41	0100 0001	0	Space
A	0x41	0100 0001	None	None

When the receiver detects a parity error, it sets the PARE (Parity Error) bit in the US_CSR. The PARE bit can be cleared by writing a 1 to the RSTSTA bit the US_CR. [Figure 44-21](#) illustrates the parity bit status setting and clearing.

Figure 44-21: Parity Error



44.6.3.9 Multidrop Mode

If the value 0x6 or 0x07 is written to the PAR field in the US_MR, the USART runs in Multidrop mode. This mode differentiates the data characters and the address characters. Data is transmitted with the parity bit at 0 and addresses are transmitted with the parity bit at 1.

If the USART is configured in Multidrop mode, the receiver sets the PARE parity error bit when the parity bit is high and the transmitter is able to send a character with the parity bit high when a 1 is written to the SENTA bit in the US_CR.

To handle parity error, the PARE bit is cleared when a 1 is written to the RSTSTA bit in the US_CR.

The transmitter sends an address byte (parity bit set) when SENDA is written to in the US_CR. In this case, the next byte written to the US_THR is transmitted as an address. Any character written in the US_THR without having written the command SENDA is transmitted normally with the parity at 0.

44.6.3.10 Transmitter Timeguard

The timeguard feature enables the USART interface with slow remote devices.

The timeguard function enables the transmitter to insert an idle state on the TXD line between two characters. This idle state actually acts as a long stop bit.

The duration of the idle state is programmed in the TG field of the Transmitter Timeguard register (US_TTGR). When this field is written to zero no timeguard is generated. Otherwise, the transmitter holds a high level on TXD after each transmitted byte during the number of bit periods programmed in TG in addition to the number of stop bits.

As illustrated in [Figure 44-22](#), the behavior of TXRDY and TXEMPTY status bits is modified by the programming of a timeguard. TXRDY rises only when the start bit of the next character is sent, and thus remains to 0 during the timeguard transmission if a character has been written in US_THR. TXEMPTY remains low until the timeguard transmission is completed as the timeguard is part of the current character being transmitted.

Figure 44-22: Timeguard Operations

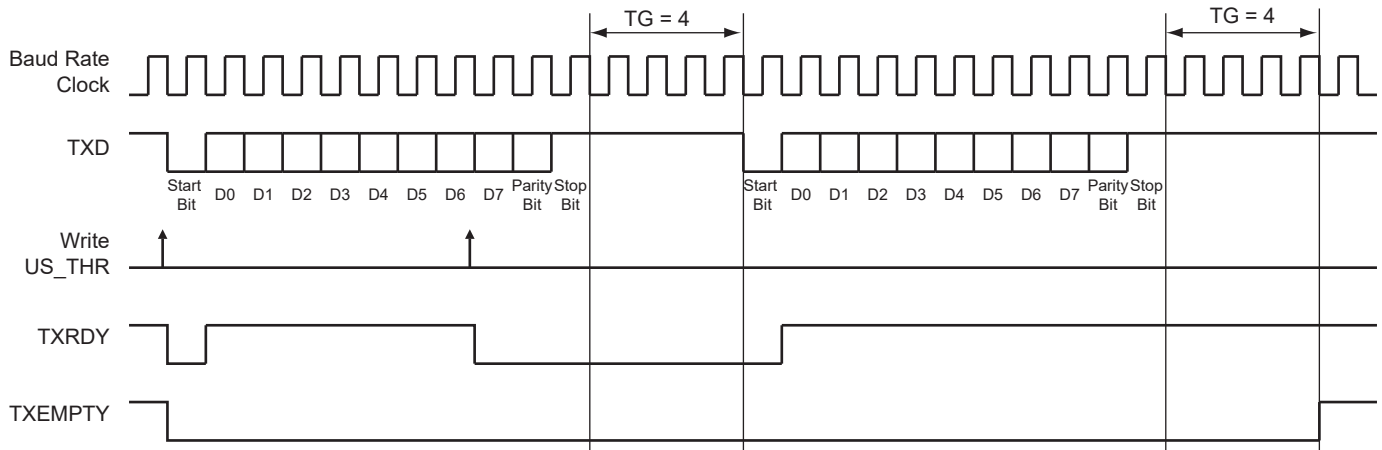


Table 44-9 indicates the maximum length of a timeguard period that the transmitter can handle depending on the baud rate.

Table 44-9: Maximum Timeguard Length Depending on Baud Rate

Baud Rate (bit/s)	Bit Time (μ s)	Timeguard (ms)
1,200	833	212.50
9,600	104	26.56
14,400	69.4	17.71
19,200	52.1	13.28
28,800	34.7	8.85
38,400	26	6.63
56,000	17.9	4.55
57,600	17.4	4.43
115,200	8.7	2.21

44.6.3.11 Receiver Time-out

The Receiver Time-out provides support in handling variable-length frames. This feature detects an idle condition on the RXD line. When a time-out is detected, the bit TIMEOUT in the US_CSR rises and can generate an interrupt, thus indicating to the driver an end of frame.

The time-out delay period (during which the receiver waits for a new character) is programmed in the TO field of the Receiver Time-out register (US_RTOR). If the TO field is written to 0, the Receiver Time-out is disabled and no time-out is detected. The TIMEOUT bit in the US_CSR remains at 0. Otherwise, the receiver loads a 16-bit counter with the value programmed in TO. This counter is decremented at each bit period and reloaded each time a new character is received. If the counter reaches 0, the TIMEOUT bit in US_CSR rises. Then, the user can either:

- Stop the counter clock until a new character is received. This is performed by writing a 1 to the STTTO (Start Time-out) bit in the US_CR. In this case, the idle state on RXD before a new character is received will not provide a time-out. This prevents having to handle an interrupt before a character is received and allows waiting for the next idle state on RXD after a frame is received.
- Obtain an interrupt while no character is received. This is performed by writing a 1 to the RETTO (Reload and Start Time-out) bit in the US_CR. If RETTO is performed, the counter starts counting down immediately from the value TO. This enables generation of a periodic interrupt so that a user time-out can be handled, for example when no key is pressed on a keyboard.

If STTTO is performed, the counter clock is stopped until a first character is received. The idle state on RXD before the start of the frame does not provide a time-out. This prevents having to obtain a periodic interrupt and enables a wait of the end of frame when the idle state on RXD is detected.

If RETTO is performed, the counter starts counting down immediately from the value TO. This enables generation of a periodic interrupt so that a user time-out can be handled, for example when no key is pressed on a keyboard.

SAMA5D3 SERIES

Figure 44-23 shows the block diagram of the Receiver Time-out feature.

Figure 44-23: Receiver Time-out Block Diagram

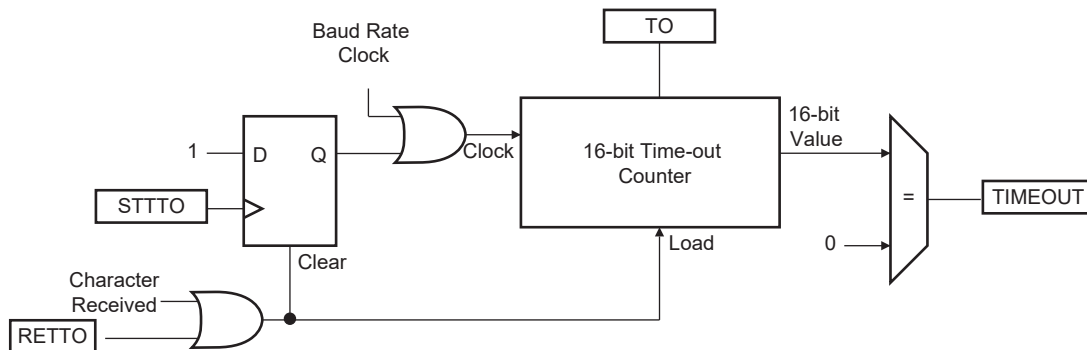


Table 44-10 gives the maximum time-out period for some standard baud rates.

Table 44-10: Maximum Time-out Period

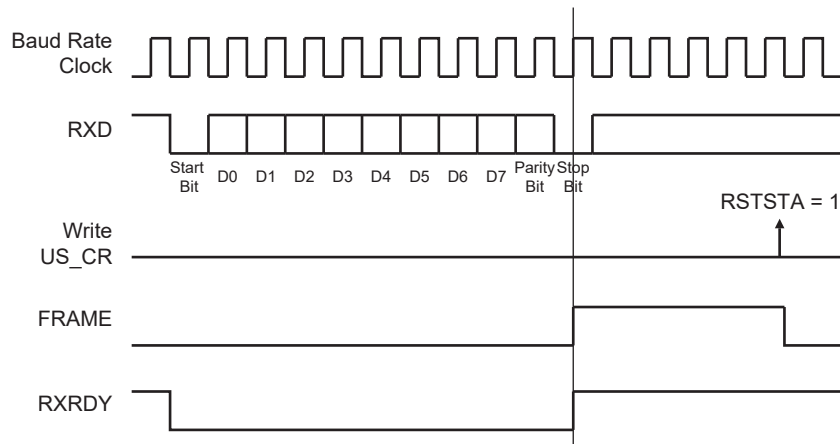
Baud Rate (bit/s)	Bit Time (μ s)	Time-out (ms)
600	1,667	109,225
1,200	833	54,613
2,400	417	27,306
4,800	208	13,653
9,600	104	6,827
14,400	69	4,551
19,200	52	3,413
28,800	35	2,276
38,400	26	1,704
56,000	18	1,170
57,600	17	1,138
200,000	5	328

44.6.3.12 Framing Error

The receiver is capable of detecting framing errors. A framing error happens when the stop bit of a received character is detected at level 0. This can occur if the receiver and the transmitter are fully desynchronized.

A framing error is reported on the FRAME bit of US_CSR. The FRAME bit is asserted in the middle of the stop bit as soon as the framing error is detected. It is cleared by writing a 1 to the RSTSTA bit in the US_CR.

Figure 44-24: Framing Error Status



44.6.3.13 Transmit Break

The user can request the transmitter to generate a break condition on the TXD line. A break condition drives the TXD line low during at least one complete character. It appears the same as a 0x00 character sent with the parity and the stop bits at 0. However, the transmitter holds the TXD line at least during one character until the user requests the break condition to be removed.

A break is transmitted by writing a 1 to the STTBK bit in the US_CR. This can be performed at any time, either while the transmitter is empty (no character in either the Shift register or in US_THR) or when a character is being transmitted. If a break is requested while a character is being shifted out, the character is first completed before the TXD line is held low.

Once STTBK command is requested further STTBK commands are ignored until the end of the break is completed.

The break condition is removed by writing a 1 to the STPBRK bit in the US_CR. If the STPBRK is requested before the end of the minimum break duration (one character, including start, data, parity and stop bits), the transmitter ensures that the break condition completes.

The transmitter considers the break as though it is a character, i.e., the STTBK and STPBRK commands are processed only if the TXRDY bit in US_CSR is to 1 and the start of the break condition clears the TXRDY and TXEMPTY bits as if a character is processed.

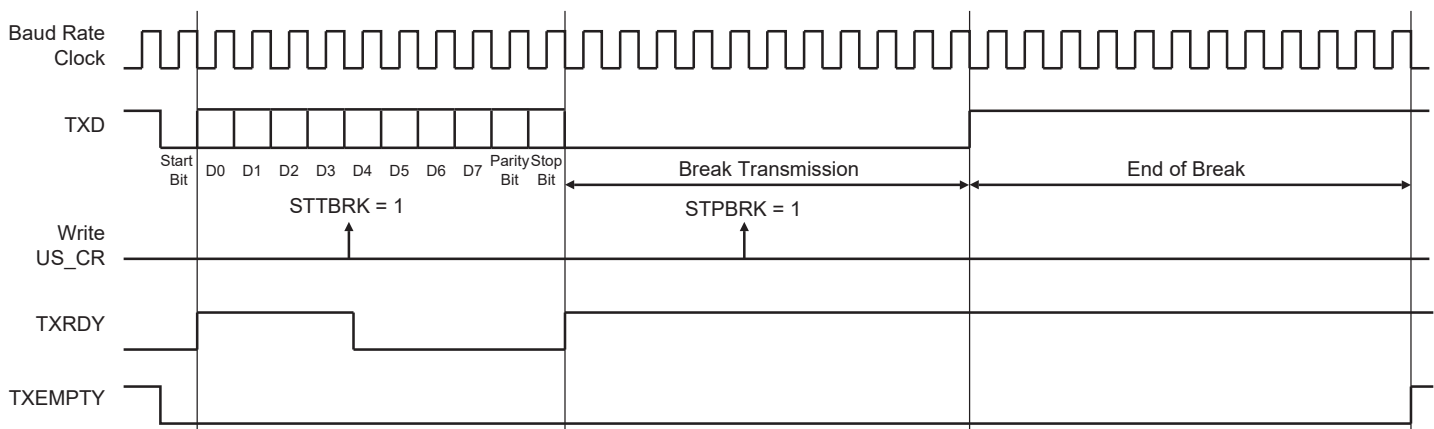
Writing US_CR with both STTBK and STPBRK bits to 1 can lead to an unpredictable result. All STPBRK commands requested without a previous STTBK command are ignored. A byte written into the Transmit Holding register while a break is pending, but not started, is ignored.

After the break condition, the transmitter returns the TXD line to 1 for a minimum of 12 bit times. Thus, the transmitter ensures that the remote receiver detects correctly the end of break and the start of the next character. If the timeguard is programmed with a value higher than 12, the TXD line is held high for the timeguard period.

After holding the TXD line for this period, the transmitter resumes normal operations.

Figure 44-25 illustrates the effect of both the Start Break (STTBK) and Stop Break (STPBRK) commands on the TXD line.

Figure 44-25: Break Transmission



SAMA5D3 SERIES

44.6.3.14 Receive Break

The receiver detects a break condition when all data, parity and stop bits are low. This corresponds to detecting a framing error with data to 0x00, but FRAME remains low.

When the low stop bit is detected, the receiver asserts the RXBRK bit in US_CSR. This bit may be cleared by writing a 1 to the RSTSTA bit in the US_CR.

An end of receive break is detected by a high level for at least 2/16 of a bit period in Asynchronous operating mode or one sample at high level in Synchronous operating mode. The end of break detection also asserts the RXBRK bit.

44.6.3.15 Hardware Handshaking

The USART features a hardware handshaking out-of-band flow control. The RTS and CTS pins are used to connect with the remote device, as shown in Figure 44-26.

Figure 44-26: Connection with a Remote Device for Hardware Handshaking



Setting the USART to operate with hardware handshaking is performed by writing the USART_MODE field in US_MR to the value 0x2.

When hardware handshaking is enabled, the USART displays similar behavior as in standard Synchronous or Asynchronous modes, with the difference that the receiver drives the RTS pin and the level on the CTS pin modifies the behavior of the transmitter, as shown in the figures below. The transmitter can handle hardware handshaking in any case.

Figure 44-27: RTS Line Software Control when US_MR.USART_MODE = 2

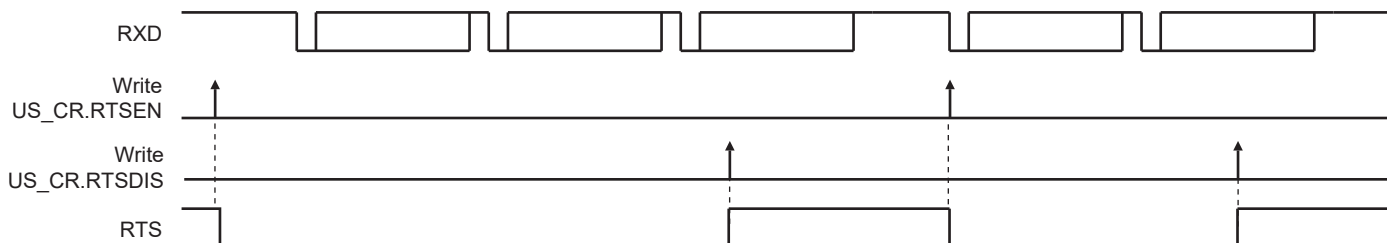


Figure 44-28 shows how the transmitter operates if hardware handshaking is enabled. The CTS pin disables the transmitter. If a character is being processed, the transmitter is disabled only after the completion of the current character and transmission of the next character happens as soon as the pin CTS falls.

Figure 44-28: Transmitter Behavior when Operating with Hardware Handshaking



44.6.4 ISO7816 Mode

The USART features an ISO7816-compatible operating mode. This mode permits interfacing with smart cards and Security Access Modules (SAM) communicating through an ISO7816 link. Both T = 0 and T = 1 protocols defined by the ISO7816 specification are supported.

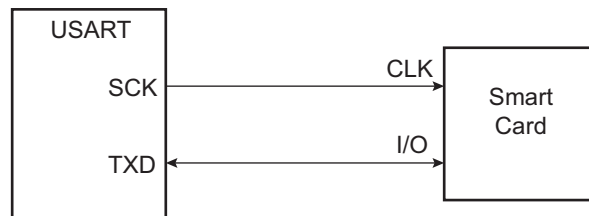
Setting the USART in ISO7816 mode is performed by writing the USART_MODE field in US_MR to the value 0x4 for protocol T = 0 and to the value 0x5 for protocol T = 1.

44.6.4.1 ISO7816 Mode Overview

The ISO7816 is a half duplex communication on only one bidirectional line. The baud rate is determined by a division of the clock provided to the remote device (see [Section 44-2 Baud Rate Generator](#)).

The USART connects to a smart card as shown in [Figure 44-29](#). The TXD line becomes bidirectional and the baud rate generator feeds the ISO7816 clock on the SCK pin. As the TXD pin becomes bidirectional, its output remains driven by the output of the transmitter but only when the transmitter is active while its input is directed to the input of the receiver. The USART is considered as the master of the communication as it generates the clock.

Figure 44-29: Connection of a Smart Card to the USART



When operating in ISO7816, either in T = 0 or T = 1 modes, the character format is fixed. The configuration is 8 data bits, even parity and 1 or 2 stop bits, regardless of the values programmed in the CHRL, MODE9, PAR and CHMODE fields. MSBF can be used to transmit LSB or MSB first. Parity Bit (PAR) can be used to transmit in Normal or Inverse mode. Refer to [Section 44.7.3 USART Mode Register and PAR: Parity Type](#).

The USART cannot operate concurrently in both Receiver and Transmitter modes as the communication is unidirectional at a time. It has to be configured according to the required mode by enabling or disabling either the receiver or the transmitter as desired. Enabling both the receiver and the transmitter at the same time in ISO7816 mode may lead to unpredictable results.

The ISO7816 specification defines an inverse transmission format. Data bits of the character must be transmitted on the I/O line at their negative value.

44.6.4.2 Protocol T = 0

In T = 0 protocol, a character is made up of one start bit, eight data bits, one parity bit and one guard time, which lasts two bit times. The transmitter shifts out the bits and does not drive the I/O line during the guard time.

If no parity error is detected, the I/O line remains at 1 during the guard time and the transmitter can continue with the transmission of the next character, as shown in [Figure 44-30](#).

If a parity error is detected by the receiver, it drives the I/O line to 0 during the guard time, as shown in [Figure 44-31](#). This error bit is also named NACK, for Non Acknowledge. In this case, the character lasts 1 bit time more, as the guard time length is the same and is added to the error bit time which lasts 1 bit time.

When the USART is the receiver and it detects an error, it does not load the erroneous character in the Receive Holding register (US_RHR). It appropriately sets the PARE bit in the Status register (US_SR) so that the software can handle the error.

Figure 44-30: T = 0 Protocol without Parity Error

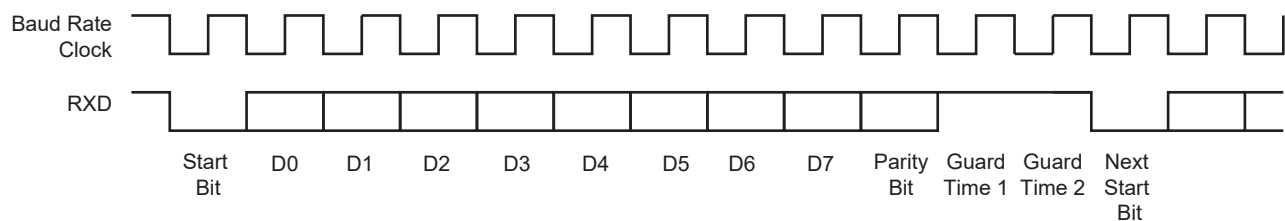
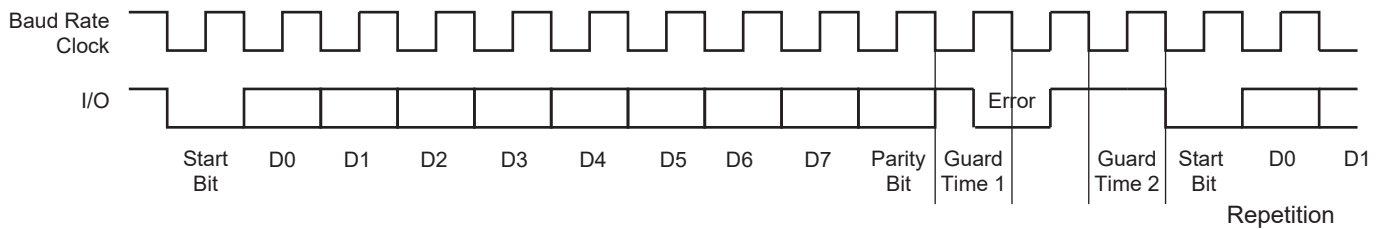


Figure 44-31: T = 0 Protocol with Parity Error



- Receive Error Counter

The USART receiver also records the total number of errors. This can be read in the Number of Error (US_NER) register. The NB_ERRORS field can record up to 255 errors. Reading US_NER automatically clears the NB_ERRORS field.

- Receive NACK Inhibit

The USART can also be configured to inhibit an error. This can be achieved by setting the INACK bit in US_MR. If INACK is to 1, no error signal is driven on the I/O line even if a parity bit is detected.

Moreover, if INACK is set, the erroneous received character is stored in the Receive Holding register, as if no error occurred and the RXRDY bit does rise.

- Transmit Character Repetition

When the USART is transmitting a character and gets a NACK, it can automatically repeat the character before moving on to the next one. Repetition is enabled by writing the MAX_ITERATION field in the US_MR at a value higher than 0. Each character can be transmitted up to eight times; the first transmission plus seven repetitions.

If MAX_ITERATION does not equal zero, the USART repeats the character as many times as the value loaded in MAX_ITERATION.

When the USART repetition number reaches MAX_ITERATION and the last repeated character is not acknowledged, the ITER bit is set in US_CSR. If the repetition of the character is acknowledged by the receiver, the repetitions are stopped and the iteration counter is cleared.

The ITER bit in US_CSR can be cleared by writing a 1 to the RSTIT bit in the US_CR.

- Disable Successive Receive NACK

The receiver can limit the number of successive NACKs sent back to the remote transmitter. This is programmed by setting the bit DSNACK in the US_MR. The maximum number of NACKs transmitted is programmed in the MAX_ITERATION field. As soon as MAX_ITERATION is reached, no error signal is driven on the I/O line and the ITER bit in the US_CSR is set.

44.6.4.3 Protocol T = 1

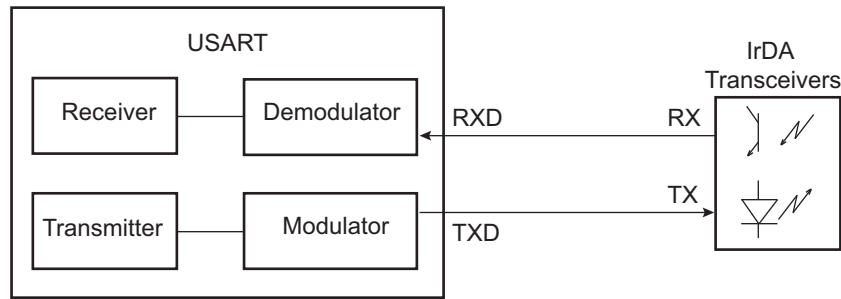
When operating in ISO7816 protocol T = 1, the transmission is similar to an asynchronous format with only one stop bit. The parity is generated when transmitting and checked when receiving. Parity error detection sets the PARE bit in the US_CSR.

44.6.5 IrDA Mode

The USART features an IrDA mode supplying half-duplex point-to-point wireless communication. It embeds the modulator and demodulator which allows a glueless connection to the infrared transceivers, as shown in [Figure 44-32](#). The modulator and demodulator are compliant with the IrDA specification version 1.1 and support data transfer speeds ranging from 2.4 kbit/s to 115.2 kbit/s.

The IrDA mode is enabled by setting the USART_MODE field in US_MR to the value 0x8. The IrDA Filter register (US_IF) is used to configure the demodulator filter. The USART transmitter and receiver operate in a normal Asynchronous mode and all parameters are accessible. Note that the modulator and the demodulator are activated.

Figure 44-32: Connection to IrDA Transceivers



The receiver and the transmitter must be enabled or disabled depending on the direction of the transmission to be managed.

To receive IrDA signals, the following needs to be done:

- Disable TX and Enable RX
- Configure the TXD pin as PIO and set it as an output to 0 (to avoid LED emission). Disable the internal pull-up (better for power consumption).
- Receive data

44.6.5.1 IrDA Modulation

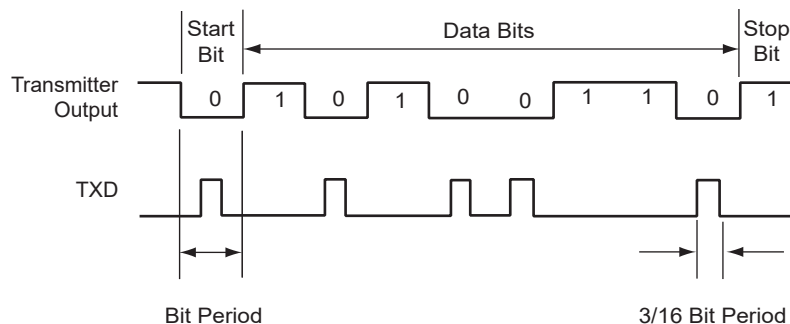
For baud rates up to and including 115.2 kbit/s, the RZI modulation scheme is used. “0” is represented by a light pulse of 3/16th of a bit time. Some examples of signal pulse duration are shown in [Table 44-11](#).

Table 44-11: IrDA Pulse Duration

Baud Rate	Pulse Duration (3/16)
2.4 kbit/s	78.13 μ s
9.6 kbit/s	19.53 μ s
19.2 kbit/s	9.77 μ s
38.4 kbit/s	4.88 μ s
57.6 kbit/s	3.26 μ s
115.2 kbit/s	1.63 μ s

[Figure 44-33](#) shows an example of character transmission.

Figure 44-33: IrDA Modulation



SAMA5D3 SERIES

44.6.5.2 IrDA Baud Rate

Table 44-12 gives some examples of CD values, baud rate error and pulse duration. Note that the requirement on the maximum acceptable error of $\pm 1.87\%$ must be met.

Table 44-12: IrDA Baud Rate Error

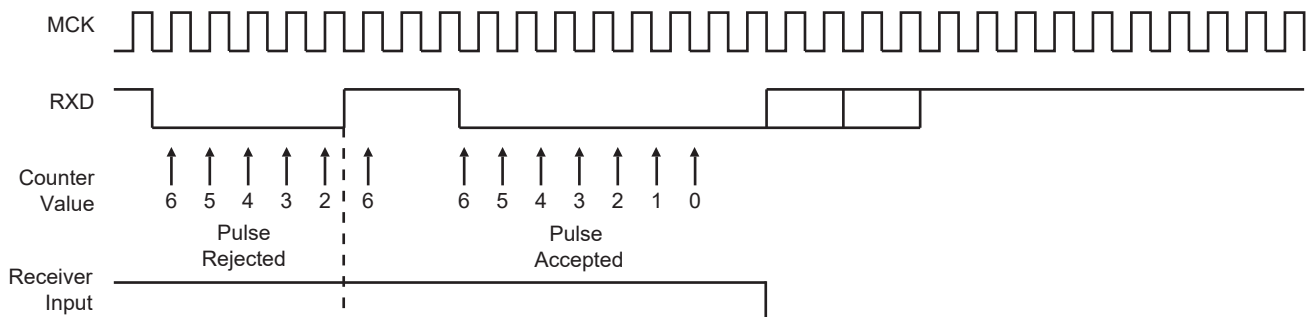
Peripheral Clock	Baud Rate (bit/s)	CD	Baud Rate Error	Pulse Time (μs)
3,686,400	115,200	2	0.00%	1.63
20,000,000	115,200	11	1.38%	1.63
32,768,000	115,200	18	1.25%	1.63
40,000,000	115,200	22	1.38%	1.63
3,686,400	57,600	4	0.00%	3.26
20,000,000	57,600	22	1.38%	3.26
32,768,000	57,600	36	1.25%	3.26
40,000,000	57,600	43	0.93%	3.26
3,686,400	38,400	6	0.00%	4.88
20,000,000	38,400	33	1.38%	4.88
32,768,000	38,400	53	0.63%	4.88
40,000,000	38,400	65	0.16%	4.88
3,686,400	19,200	12	0.00%	9.77
20,000,000	19,200	65	0.16%	9.77
32,768,000	19,200	107	0.31%	9.77
40,000,000	19,200	130	0.16%	9.77
3,686,400	9,600	24	0.00%	19.53
20,000,000	9,600	130	0.16%	19.53
32,768,000	9,600	213	0.16%	19.53
40,000,000	9,600	260	0.16%	19.53
3,686,400	2,400	96	0.00%	78.13
20,000,000	2,400	521	0.03%	78.13
32,768,000	2,400	853	0.04%	78.13

44.6.5.3 IrDA Demodulator

The demodulator is based on the IrDA Receive filter comprised of an 8-bit down counter which is loaded with the value programmed in US_IF. When a falling edge is detected on the RXD pin, the Filter Counter starts counting down at the peripheral clock speed. If a rising edge is detected on the RXD pin, the counter stops and is reloaded with US_IF. If no rising edge is detected when the counter reaches 0, the input of the receiver is driven low during one bit time.

Figure 44-34 illustrates the operations of the IrDA demodulator.

Figure 44-34: IrDA Demodulator Operations



The programmed value in the US_IF register must always meet the following criteria:

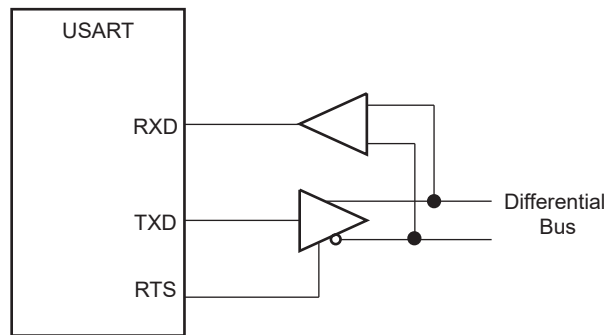
$$t_{\text{peripheral clock}} \times (\text{IRDA_FILTER} + 3) < 1.41 \mu\text{s}$$

As the IrDA mode uses the same logic as the ISO7816, note that the FI_DI_RATIO field in US_FIDI must be set to a value higher than 0 in order to make sure IrDA communications operate correctly.

44.6.6 RS485 Mode

The USART features the RS485 mode to enable line driver control. While operating in RS485 mode, the USART behaves as though in Asynchronous or Synchronous mode and configuration of all the parameters is possible. The difference is that the RTS pin is driven high when the transmitter is operating. The behavior of the RTS pin is controlled by the TXEMPTY bit. A typical connection of the USART to an RS485 bus is shown in [Figure 44-35](#).

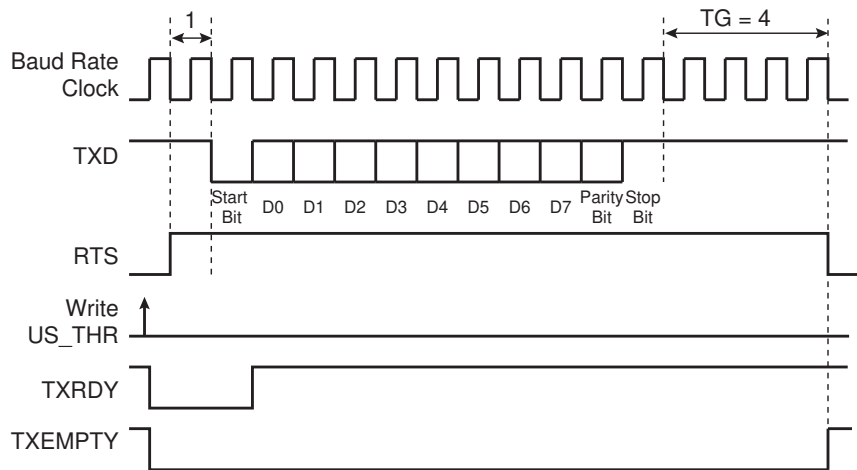
Figure 44-35: Typical Connection to a RS485 Bus



The USART is set in RS485 mode by writing the value 0x1 to the USART_MODE field in US_MR.

The RTS pin is at a level inverse to the TXEMPTY bit. Significantly, the RTS pin remains high when a timeguard is programmed so that the line can remain driven after the last character completion. [Figure 44-36](#) gives an example of the RTS waveform during a character transmission when the timeguard is enabled.

Figure 44-36: Example of RTS Drive with Timeguard



44.6.7 SPI Mode

The Serial Peripheral Interface (SPI) mode is a synchronous serial data link that provides communication with external devices in Master or Slave mode. It also enables communication between processors if an external processor is connected to the system.

The Serial Peripheral Interface is essentially a shift register that serially transmits data bits to other SPIs. During a data transfer, one SPI system acts as the “master” which controls the data flow, while the other devices act as “slaves” which have data shifted into and out by the master. Different CPUs can take turns being masters and one master may simultaneously shift data into multiple slaves. (Multiple master protocol is the opposite of single master protocol, where one CPU is always the master while all of the others are always slaves.) However, only one slave may drive its output to write data back to the master at any given time.

SAMA5D3 SERIES

A slave device is selected when its NSS signal is asserted by the master. The USART in SPI Master mode can address only one SPI slave because it can generate only one NSS signal.

The SPI system consists of two data lines and two control lines:

- Master Out Slave In (MOSI): This data line supplies the output data from the master shifted into the input of the slave.
- Master In Slave Out (MISO): This data line supplies the output data from a slave to the input of the master.
- Serial Clock (SCK): This control line is driven by the master and regulates the flow of the data bits. The master may transmit data at a variety of baud rates. The SCK line cycles once for each bit that is transmitted.
- Slave Select (NSS): This control line allows the master to select or deselect the slave.

44.6.7.1 Modes of Operation

The USART can operate in SPI Master mode or in SPI Slave mode.

Operation in SPI Master mode is programmed by writing 0xE to the USART_MODE field in US_MR. In this case the SPI lines must be connected as described below:

- The MOSI line is driven by the output pin TXD
- The MISO line drives the input pin RXD
- The SCK line is driven by the output pin SCK
- The NSS line is driven by the output pin RTS

Operation in SPI Slave mode is programmed by writing 0xF to the USART_MODE field in US_MR. In this case the SPI lines must be connected as described below:

- The MOSI line drives the input pin RXD
- The MISO line is driven by the output pin TXD
- The SCK line drives the input pin SCK
- The NSS line drives the input pin CTS

In order to avoid unpredictable behavior, any change of the SPI mode must be followed by a software reset of the transmitter and of the receiver (except the initial configuration after a hardware reset). (See [Section 44.6.7.4 Receiver and Transmitter Control](#)).

44.6.7.2 Baud Rate

In SPI mode, the baud rate generator operates in the same way as in USART Synchronous mode. See [Section 44.6.1.3 Baud Rate in Synchronous Mode or SPI Mode](#). However, there are some restrictions:

In SPI Master mode:

- The external clock SCK must not be selected ($USCLKS \neq 0x3$), and the bit CLKO must be set to 1 in the US_MR, in order to generate correctly the serial clock on the SCK pin.
- To obtain correct behavior of the receiver and the transmitter, the value programmed in CD must be superior or equal to 6.
- If the divided peripheral clock is selected, the value programmed in CD must be even to ensure a 50:50 mark/space ratio on the SCK pin, this value can be odd if the peripheral clock is selected.

In SPI Slave mode:

- The external clock (SCK) selection is forced regardless of the value of the USCLKS field in the US_MR. Likewise, the value written in US_BRGR has no effect, because the clock is provided directly by the signal on the USART SCK pin.
- To obtain correct behavior of the receiver and the transmitter, the external clock (SCK) frequency must be at least 6 times lower than the system clock.

44.6.7.3 Data Transfer

Up to nine data bits are successively shifted out on the TXD pin at each rising or falling edge (depending of CPOL and CPHA) of the programmed serial clock. There is no Start bit, no Parity bit and no Stop bit.

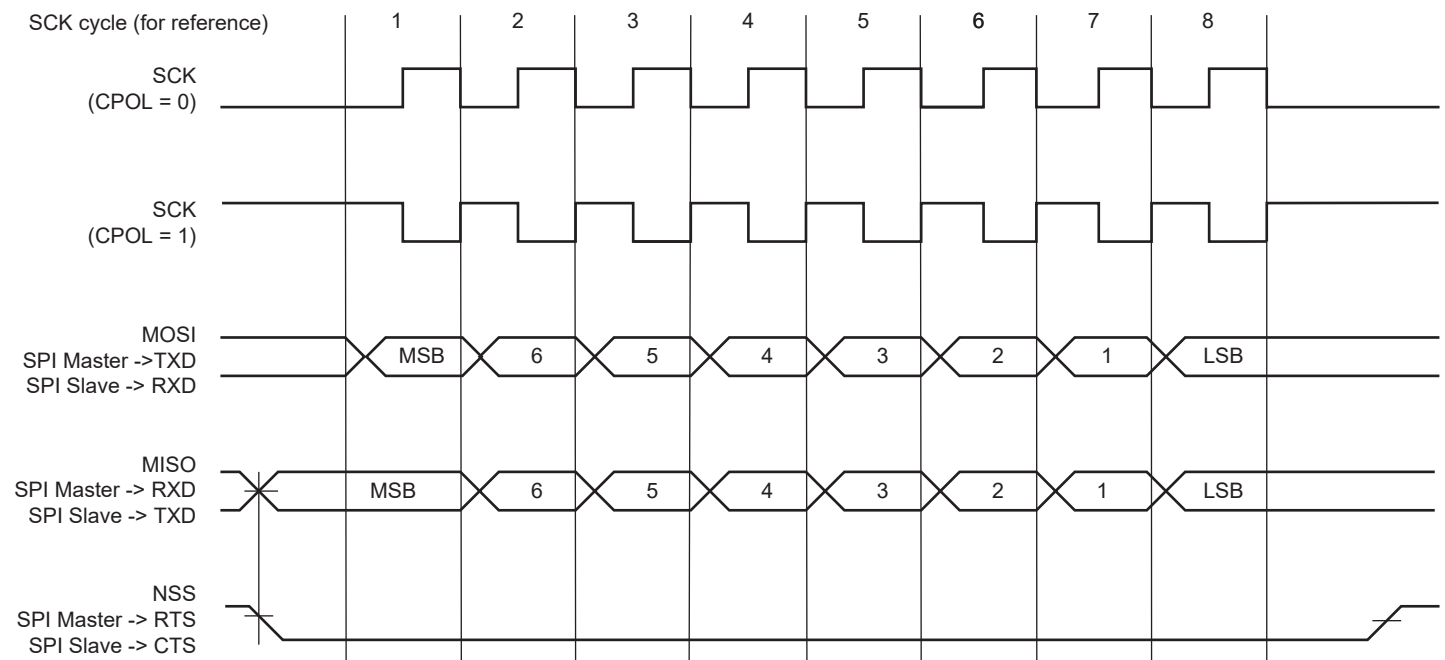
The number of data bits is selected by the CHRL field and the MODE 9 bit in the US_MR. The nine bits are selected by setting the MODE 9 bit regardless of the CHRL field. The MSB data bit is always sent first in SPI mode (Master or Slave).

Four combinations of polarity and phase are available for data transfers. The clock polarity is programmed with the CPOL bit in the US_MR. The clock phase is programmed with the CPHA bit. These two parameters determine the edges of the clock signal upon which data is driven and sampled. Each of the two parameters has two possible states, resulting in four possible combinations that are incompatible with one another. Thus, a master/slave pair must use the same parameter pair values to communicate. If multiple slaves are used and fixed in different configurations, the master must reconfigure itself each time it needs to communicate with a different slave.

Table 44-13: SPI Bus Protocol Mode

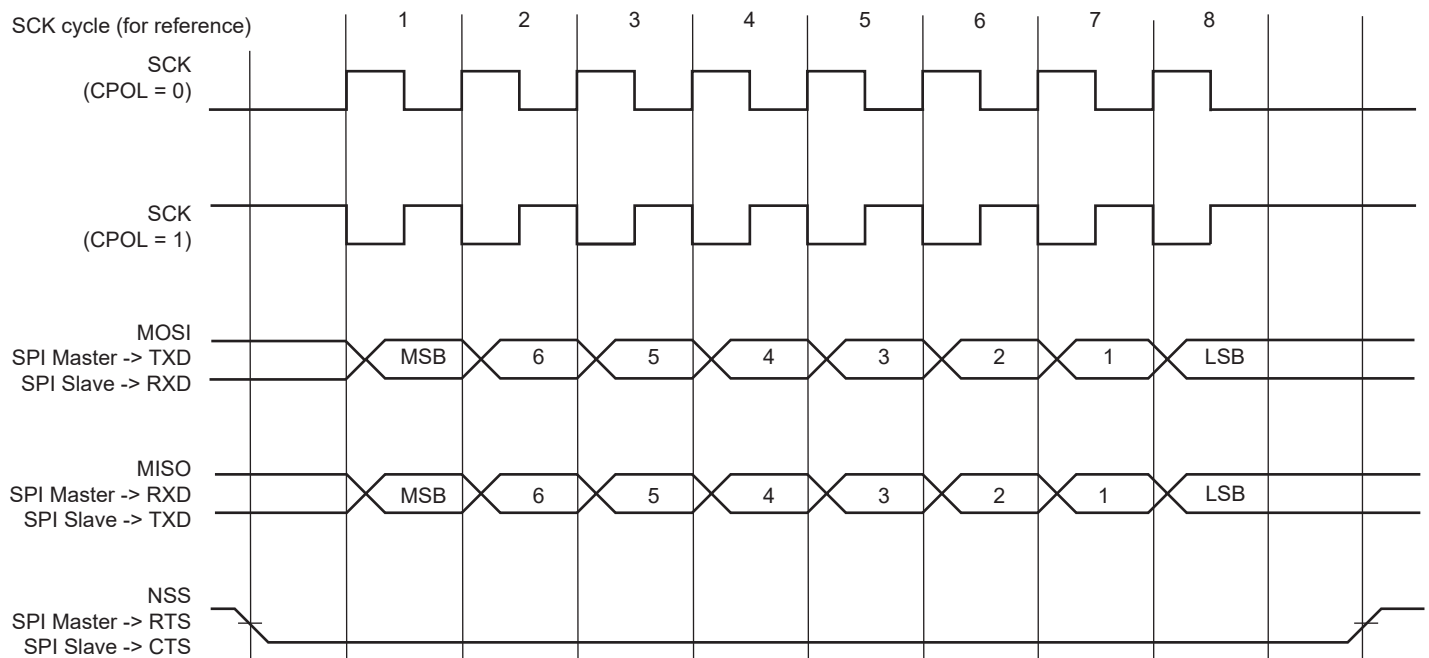
SPI Bus Protocol Mode	CPOL	CPHA
0	0	1
1	0	0
2	1	1
3	1	0

Figure 44-37: SPI Transfer Format (CPHA = 1, 8 bits per transfer)



SAMA5D3 SERIES

Figure 44-38: SPI Transfer Format (CPHA = 0, 8 bits per transfer)



44.6.7.4 Receiver and Transmitter Control

See [Section 44.6.2 Receiver and Transmitter Control](#)

44.6.7.5 Character Transmission

The characters are sent by writing in the Transmit Holding register (US_THR). An additional condition for transmitting a character can be added when the USART is configured in SPI Master mode. In the [USART Mode Register \(SPI_MODE\)](#) (USART_MR), the value configured on the bit WRDBT can prevent any character transmission (even if US_THR has been written) while the receiver side is not ready (character not read). When WRDBT equals 0, the character is transmitted whatever the receiver status. If WRDBT is set to 1, the transmitter waits for the Receive Holding register (US_RHR) to be read before transmitting the character (RXRDY flag cleared), thus preventing any overflow (character loss) on the receiver side.

The chip select line is de-asserted for a period equivalent to three bits between the transmission of two data.

The transmitter reports two status bits in US_CSR: TXRDY (Transmitter Ready), which indicates that US_THR is empty and TXEMPTY, which indicates that all the characters written in US_THR have been processed. When the current character processing is completed, the last character written in US_THR is transferred into the Shift register of the transmitter and US_THR becomes empty, thus TXRDY rises.

Both TXRDY and TXEMPTY bits are low when the transmitter is disabled. Writing a character in US_THR while TXRDY is low has no effect and the written character is lost.

If the USART is in SPI Slave mode and if a character must be sent while the US_THR is empty, the UNRE (Underrun Error) bit is set. The TXD transmission line stays at high level during all this time. The UNRE bit is cleared by writing a 1 to the RSTSTA (Reset Status) bit in US_CR.

In SPI Master mode, the slave select line (NSS) is asserted at low level one t_{bit} (t_{bit} being the nominal time required to transmit a bit) before the transmission of the MSB bit and released at high level one t_{bit} after the transmission of the LSB bit. So, the slave select line (NSS) is always released between each character transmission and a minimum delay of three t_{bit} always inserted. However, in order to address slave devices supporting the CSAAT mode (Chip Select Active After Transfer), the slave select line (NSS) can be forced at low level by writing a 1 to the RCS bit in the US_CR. The slave select line (NSS) can be released at high level only by writing a 1 to the FCS bit in the US_CR (for example, when all data have been transferred to the slave device).

In SPI Slave mode, the transmitter does not require a falling edge of the slave select line (NSS) to initiate a character transmission but only a low level. However, this low level must be present on the slave select line (NSS) at least one t_{bit} before the first serial clock cycle corresponding to the MSB bit.

44.6.7.6 Character Reception

When a character reception is completed, it is transferred to the Receive Holding register (US_RHR) and the RXRDY bit in the Status register (US_CSR) rises. If a character is completed while RXRDY is set, the OVRE (Overrun Error) bit is set. The last character is transferred into US_RHR and overwrites the previous one. The OVRE bit is cleared by writing a 1 to the RSTSTA (Reset Status) bit in the US_CR.

To ensure correct behavior of the receiver in SPI Slave mode, the master device sending the frame must ensure a minimum delay of one t_{bit} between each character transmission. The receiver does not require a falling edge of the slave select line (NSS) to initiate a character reception but only a low level. However, this low level must be present on the slave select line (NSS) at least one t_{bit} before the first serial clock cycle corresponding to the MSB bit.

44.6.7.7 Receiver Timeout

Because the receiver baud rate clock is active only during data transfers in SPI mode, a receiver timeout is impossible in this mode, whatever the time-out value is (field TO) in the US_RTOR.

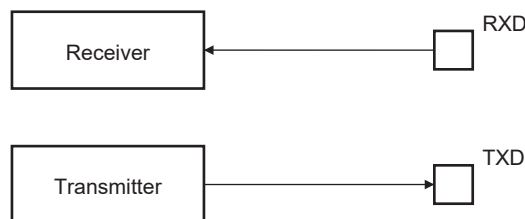
44.6.8 Test Modes

The USART can be programmed to operate in three different test modes. The internal loopback capability allows on-board diagnostics. In Loopback mode, the USART interface pins are disconnected or not and reconfigured for loopback internally or externally.

44.6.8.1 Normal Mode

Normal mode connects the RXD pin on the receiver input and the transmitter output on the TXD pin.

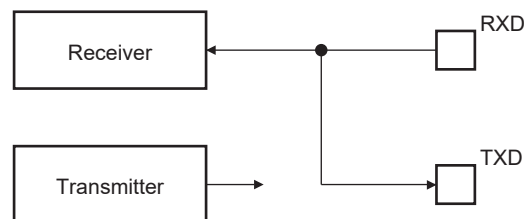
Figure 44-39: Normal Mode Configuration



44.6.8.2 Automatic Echo Mode

Automatic Echo mode allows bit-by-bit retransmission. When a bit is received on the RXD pin, it is sent to the TXD pin, as shown in [Figure 44-40](#). Programming the transmitter has no effect on the TXD pin. The RXD pin is still connected to the receiver input, thus the receiver remains active.

Figure 44-40: Automatic Echo Mode Configuration

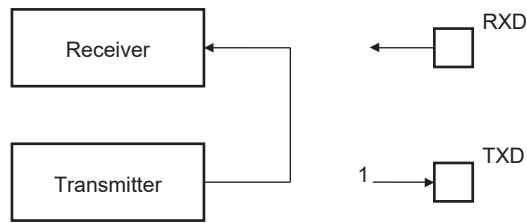


44.6.8.3 Local Loopback Mode

Local Loopback mode connects the output of the transmitter directly to the input of the receiver, as shown in [Figure 44-41](#). The TXD and RXD pins are not used. The RXD pin has no effect on the receiver and the TXD pin is continuously driven high, as in idle state.

SAMA5D3 SERIES

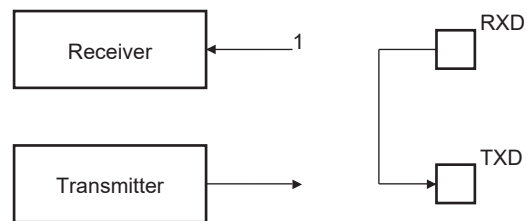
Figure 44-41: Local Loopback Mode Configuration



44.6.8.4 Remote Loopback Mode

Remote Loopback mode directly connects the RXD pin to the TXD pin, as shown in [Figure 44-42](#). The transmitter and the receiver are disabled and have no effect. This mode allows bit-by-bit retransmission.

Figure 44-42: Remote Loopback Mode Configuration



44.6.9 Register Write Protection

To prevent any single software error from corrupting USART behavior, certain registers in the address space can be write-protected by setting the WPEN bit in the [USART Write Protection Mode Register \(US_WPMR\)](#).

If a write access to a write-protected register is detected, the WPVS flag in the [USART Write Protection Status Register \(US_WPSR\)](#) is set and the field WPVSRC indicates the register in which the write access has been attempted.

The WPVS bit is automatically cleared after reading the US_WPSR.

The following registers can be write-protected:

- [USART Mode Register](#)
- [USART Baud Rate Generator Register](#)
- [USART Receiver Time-out Register](#)
- [USART Transmitter Timeguard Register](#)
- [USART FI DI RATIO Register](#)
- [USART IrDA Filter Register](#)
- [USART Manchester Configuration Register](#)

44.7 Universal Synchronous Asynchronous Receiver Transmitter (USART) User Interface

Table 44-14: Register Mapping

Offset	Register	Name	Access	Reset
0x0000	Control Register	US_CR	Write-only	–
0x0004	Mode Register	US_MR	Read/Write	0x0
0x0008	Interrupt Enable Register	US_IER	Write-only	–
0x000C	Interrupt Disable Register	US_IDR	Write-only	–
0x0010	Interrupt Mask Register	US_IMR	Read-only	0x0
0x0014	Channel Status Register	US_CSR	Read-only	0x0
0x0018	Receive Holding Register	US_RHR	Read-only	0x0
0x001C	Transmit Holding Register	US_THR	Write-only	–
0x0020	Baud Rate Generator Register	US_BRGR	Read/Write	0x0
0x0024	Receiver Time-out Register	US_RTOR	Read/Write	0x0
0x0028	Transmitter Timeguard Register	US_TTGR	Read/Write	0x0
0x002C–0x003C	Reserved	–	–	–
0x0040	FI DI Ratio Register	US_FIDI	Read/Write	0x174
0x0044	Number of Errors Register	US_NER	Read-only	0x0
0x0048	Reserved	–	–	–
0x004C	IrDA Filter Register	US_IF	Read/Write	0x0
0x0050	Manchester Configuration Register	US_MAN	Read/Write	0x30011004
0x0054–0x005C	Reserved	–	–	–
0x0060–0x00E0	Reserved	–	–	–
0x00E4	Write Protection Mode Register	US_WPMR	Read/Write	0x0
0x00E8	Write Protection Status Register	US_WPSR	Read-only	0x0
0x00EC–0x00FC	Reserved	–	–	–

SAMA5D3 SERIES

44.7.1 USART Control Register

Name:US_CR

Address:0xF001C000 (0), 0xF0020000 (1), 0xF8020000 (2), 0xF8024000 (3)

Access:Write-only

31	30	29	28	27	26	25	24
–	–	–	–	–	–	–	–
23	22	21	20	19	18	17	16
–	–	–	–	RTSDIS	RTSEN	–	–
15	14	13	12	11	10	9	8
RETTO	RSTNACK	RSTIT	SENDA	STTTO	STPBRK	STTBRK	RSTSTA
7	6	5	4	3	2	1	0
TXDIS	TXEN	RXDIS	RXEN	RSTTX	RSTRX	–	–

For SPI control, see [Section 44.7.2 USART Control Register \(SPI_MODE\)](#).

RSTRX: Reset Receiver

0: No effect.

1: Resets the receiver.

RSTTX: Reset Transmitter

0: No effect.

1: Resets the transmitter.

RXEN: Receiver Enable

0: No effect.

1: Enables the receiver, if RXDIS is 0.

RXDIS: Receiver Disable

0: No effect.

1: Disables the receiver.

TXEN: Transmitter Enable

0: No effect.

1: Enables the transmitter if TXDIS is 0.

TXDIS: Transmitter Disable

0: No effect.

1: Disables the transmitter.

RSTSTA: Reset Status Bits

0: No effect.

1: Resets the status bits PARE, FRAME, OVRE, MANERR and RXBRK in US_CSR.

STTBRK: Start Break

0: No effect.

1: Starts transmission of a break after the characters present in US_THR and the Transmit Shift Register have been transmitted. No effect if a break is already being transmitted.

STPBRK: Stop Break

0: No effect.

1: Stops transmission of the break after a minimum of one character length and transmits a high level during 12-bit periods. No effect if no break is being transmitted.

STTTO: Clear TIMEOUT Flag and Start Time-out After Next Character Received

0: No effect.

1: Starts waiting for a character before enabling the time-out counter. Immediately disables a time-out period in progress. Resets the status bit TIMEOUT in US_CSR.

SENDA: Send Address

0: No effect.

1: In Multidrop mode only, the next character written to the US_THR is sent with the address bit set.

RSTIT: Reset Iterations

0: No effect.

1: Resets ITER in US_CSR. No effect if the ISO7816 is not enabled.

RSTNACK: Reset Non Acknowledge

0: No effect

1: Resets NACK in US_CSR.

RETTO: Start Time-out Immediately

0: No effect

1: Immediately restarts time-out period.

RTSEN: Request to Send Pin Control

0: No effect.

1: Drives RTS pin to 0 if US_MR.USART_MODE field = 0.

RTSDIS: Request to Send Pin Control

0: No effect.

1: Drives RTS pin to 1 if US_MR.USART_MODE field = 0.

SAMA5D3 SERIES

44.7.2 USART Control Register (SPI_MODE)

Name: US_CR (SPI_MODE)

Address: 0xF001C000 (0), 0xF0020000 (1), 0xF8020000 (2), 0xF8024000 (3)

Access: Write-only

31	30	29	28	27	26	25	24
–	–	–	–	–	–	–	–
23	22	21	20	19	18	17	16
–	–	–	–	RCS	FCS	–	–
15	14	13	12	11	10	9	8
–	–	–	–	–	–	–	RSTSTA
7	6	5	4	3	2	1	0
TXDIS	TXEN	RXDIS	RXEN	RSTTX	RSTRX	–	–

This configuration is relevant only if USART_MODE = 0xE or 0xF in the [USART Mode Register](#).

RSTRX: Reset Receiver

0: No effect.

1: Resets the receiver.

RSTTX: Reset Transmitter

0: No effect.

1: Resets the transmitter.

RXEN: Receiver Enable

0: No effect.

1: Enables the receiver, if RXDIS is 0.

RXDIS: Receiver Disable

0: No effect.

1: Disables the receiver.

TXEN: Transmitter Enable

0: No effect.

1: Enables the transmitter if TXDIS is 0.

TXDIS: Transmitter Disable

0: No effect.

1: Disables the transmitter.

RSTSTA: Reset Status Bits

0: No effect.

1: Resets the status bits OVRE, UNRE in US_CSR.

FCS: Force SPI Chip Select

Applicable if USART operates in SPI Master mode (USART_MODE = 0xE):

0: No effect.

1: Forces the Slave Select Line NSS (RTS pin) to 0, even if USART is not transmitting, in order to address SPI slave devices supporting the CSAAT mode (Chip Select Active After Transfer).

RCS: Release SPI Chip Select

Applicable if USART operates in SPI Master mode (USART_MODE = 0xE):

0: No effect.

1: Releases the Slave Select Line NSS (RTS pin).

SAMA5D3 SERIES

44.7.3 USART Mode Register

Name: US_MR

Address: 0xF001C004 (0), 0xF0020004 (1), 0xF8020004 (2), 0xF8024004 (3)

Access: Read/Write

31	30	29	28	27	26	25	24
ONEBIT	MODSYNC	MAN	FILTER	—	MAX_ITERATION		
23	22	21	20	19	18	17	16
INVDATA	VAR_SYNC	DSNACK	INACK	OVER	CLKO	MODE9	MSBF
15	14	13	12	11	10	9	8
CHMODE		NBSTOP			PAR		SYNC
7	6	5	4	3	2	1	0
CHRL		USCLKS			USART_MODE		

This register can only be written if the WPEN bit is cleared in the [USART Write Protection Mode Register](#).

For SPI configuration, see [Section 44.7.4 USART Mode Register \(SPI_MODE\)](#).

USART_MODE: USART Mode of Operation

Value	Name	Description
0x0	NORMAL	Normal mode
0x1	RS485	RS485
0x2	HW_HANDSHAKING	Hardware Handshaking
0x3	—	Reserved
0x4	IS07816_T_0	IS07816 Protocol: T = 0
0x6	IS07816_T_1	IS07816 Protocol: T = 1
0x8	IRDA	IrDA
0xE	SPI_MASTER	SPI master mode (CLKO must be written to 1 and USCLKS = 0, 1 or 2)
0xF	SPI_SLAVE	SPI Slave mode

USCLKS: Clock Selection

Value	Name	Description
0	MCK	Peripheral clock is selected
1	DIV	Peripheral clock divided (DIV=8) is selected
2	—	Reserved
3	SCK	Serial clock (SCK) is selected

CHRL: Character Length

Value	Name	Description
0	5_BIT	Character length is 5 bits
1	6_BIT	Character length is 6 bits
2	7_BIT	Character length is 7 bits
3	8_BIT	Character length is 8 bits

SYNC: Synchronous Mode Select

0: USART operates in Asynchronous mode.

1: USART operates in Synchronous mode.

PAR: Parity Type

Value	Name	Description
0	EVEN	Even parity
1	ODD	Odd parity
2	SPACE	Parity forced to 0 (Space)
3	MARK	Parity forced to 1 (Mark)
4	NO	No parity
6	MULTIDROP	Multidrop mode

NBSTOP: Number of Stop Bits

Value	Name	Description
0	1_BIT	1 stop bit
1	1_5_BIT	1.5 stop bit (SYNC = 0) or reserved (SYNC = 1)
2	2_BIT	2 stop bits

CHMODE: Channel Mode

Value	Name	Description
0	NORMAL	Normal mode
1	AUTOMATIC	Automatic Echo. Receiver input is connected to the TXD pin.
2	LOCAL_LOOPBACK	Local Loopback. Transmitter output is connected to the Receiver Input.
3	REMOTE_LOOPBACK	Remote Loopback. RXD pin is internally connected to the TXD pin.

MSBF: Bit Order

0: Least significant bit is sent/received first.

1: Most significant bit is sent/received first.

MODE9: 9-bit Character Length

0: CHRL defines character length

1: 9-bit character length

CLKO: Clock Output Select

0: The USART does not drive the SCK pin.

1: The USART drives the SCK pin if USCLKS does not select the external clock SCK.

OVER: Oversampling Mode

0: 16 × Oversampling

1: 8 × Oversampling

INACK: Inhibit Non Acknowledge

0: The NACK is generated.

1: The NACK is not generated.

SAMA5D3 SERIES

DSNACK: Disable Successive NACK

0: NACK is sent on the ISO line as soon as a parity error occurs in the received character (unless INACK is set).

1: Successive parity errors are counted up to the value specified in the MAX_ITERATION field. These parity errors generate a NACK on the ISO line. As soon as this value is reached, no additional NACK is sent on the ISO line. The flag ITER is asserted.

Note: MAX_ITERATION field must be set to 0 if DSNACK is cleared.

INVDATA: Inverted Data

0: The data field transmitted on TXD line is the same as the one written in US_THR or the content read in US_RHR is the same as RXD line. Normal mode of operation.

1: The data field transmitted on TXD line is inverted (voltage polarity only) compared to the value written on US_THR or the content read in US_RHR is inverted compared to what is received on RXD line (or ISO7816 IO line). Inverted mode of operation, useful for contactless card application. To be used with configuration bit MSBF.

VAR_SYNC: Variable Synchronization of Command/Data Sync Start Frame Delimiter

0: User defined configuration of command or data sync field depending on MODSYNC value.

1: The sync field is updated when a character is written into US_THR.

MAX_ITERATION: Maximum Number of Automatic Iteration

0–7: Defines the maximum number of iterations in mode ISO7816, protocol T = 0.

FILTER: Receive Line Filter

0: The USART does not filter the receive line.

1: The USART filters the receive line using a three-sample filter (1/16-bit clock) (2 over 3 majority).

MAN: Manchester Encoder/Decoder Enable

0: Manchester encoder/decoder are disabled.

1: Manchester encoder/decoder are enabled.

MODSYNC: Manchester Synchronization Mode

0: The Manchester start bit is a 0 to 1 transition

1: The Manchester start bit is a 1 to 0 transition.

ONEBIT: Start Frame Delimiter Selector

0: Start frame delimiter is COMMAND or DATA SYNC.

1: Start frame delimiter is one bit.

44.7.4 USART Mode Register (SPI_MODE)

Name:US_MR (SPI_MODE)

Address:0xF001C004 (0), 0xF0020004 (1), 0xF8020004 (2), 0xF8024004 (3)

Access:Read/Write

31	30	29	28	27	26	25	24
–	–	–	–	–	–	–	–
23	22	21	20	19	18	17	16
–	–	–	WRDBT	–	CLKO	–	CPOL
15	14	13	12	11	10	9	8
–	–	–	–	–	–	–	CPHA
7	6	5	4	3	2	1	0
CHRL		USCLKS		USART_MODE			

This configuration is relevant only if USART_MODE = 0xE or 0xF in the [USART Mode Register](#).

This register can only be written if the WPEN bit is cleared in the [USART Write Protection Mode Register](#).

USART_MODE: USART Mode of Operation

Value	Name	Description
0xE	SPI_MASTER	SPI master
0xF	SPI_SLAVE	SPI Slave

USCLKS: Clock Selection

Value	Name	Description
0	MCK	Peripheral clock is selected
1	DIV	Peripheral clock divided (DIV=8) is selected
3	SCK	Serial Clock SLK is selected

CHRL: Character Length

Value	Name	Description
3	8_BIT	Character length is 8 bits

CPHA: SPI Clock Phase

– Applicable if USART operates in SPI mode (USART_MODE = 0xE or 0xF):

0: Data is changed on the leading edge of SPCK and captured on the following edge of SPCK.

1: Data is captured on the leading edge of SPCK and changed on the following edge of SPCK.

CPHA determines which edge of SPCK causes data to change and which edge causes data to be captured. CPHA is used with CPOL to produce the required clock/data relationship between master and slave devices.

CPOL: SPI Clock Polarity

Applicable if USART operates in SPI mode (Slave or Master, USART_MODE = 0xE or 0xF):

0: The inactive state value of SPCK is logic level zero.

1: The inactive state value of SPCK is logic level one.

CPOL is used to determine the inactive state value of the serial clock (SPCK). It is used with CPHA to produce the required clock/data relationship between master and slave devices.

SAMA5D3 SERIES

CLKO: Clock Output Select

0: The USART does not drive the SCK pin.

1: The USART drives the SCK pin if USCLKS does not select the external clock SCK.

WRDBT: Wait Read Data Before Transfer

0: The character transmission starts as soon as a character is written into US_THR (assuming TXRDY was set).

1: The character transmission starts when a character is written and only if RXRDY flag is cleared (Receive Holding Register has been read).

44.7.5 USART Interrupt Enable Register

Name:US_IER

Address:0xF001C008 (0), 0xF0020008 (1), 0xF8020008 (2), 0xF8024008 (3)

Access:Write-only

31	30	29	28	27	26	25	24
–	–	–	–	–	–	–	MANE
23	22	21	20	19	18	17	16
–	–	–	–	CTSIC	–	–	–
15	14	13	12	11	10	9	8
–	–	NACK	–	–	ITER	TXEMPTY	TIMEOUT
7	6	5	4	3	2	1	0
PARE	FRAME	OVRE	–	–	RXBRK	TXRDY	RXRDY

For SPI specific configuration, see [Section 44.7.6 USART Interrupt Enable Register \(SPI_MODE\)](#).

The following configuration values are valid for all listed bit names of this register:

0: No effect

1: Enables the corresponding interrupt.

RXRDY: RXRDY Interrupt Enable

TXRDY: TXRDY Interrupt Enable

RXBRK: Receiver Break Interrupt Enable

OVRE: Overrun Error Interrupt Enable

FRAME: Framing Error Interrupt Enable

PARE: Parity Error Interrupt Enable

TIMEOUT: Time-out Interrupt Enable

TXEMPTY: TXEMPTY Interrupt Enable

ITER: Max number of Repetitions Reached Interrupt Enable

NACK: Non Acknowledge Interrupt Enable

CTSIC: Clear to Send Input Change Interrupt Enable

MANE: Manchester Error Interrupt Enable

SAMA5D3 SERIES

44.7.6 USART Interrupt Enable Register (SPI_MODE)

Name:US_IER (SPI_MODE)

Address:0xF001C008 (0), 0xF0020008 (1), 0xF8020008 (2), 0xF8024008 (3)

Access:Write-only

31	30	29	28	27	26	25	24
–	–	–	–	–	–	–	–
23	22	21	20	19	18	17	16
–	–	–	–	NSSE	–	–	–
15	14	13	12	11	10	9	8
–	–	–	–	–	UNRE	TXEMPTY	–
7	6	5	4	3	2	1	0
–	–	OVRE	–	–	–	TXRDY	RXRDY

This configuration is relevant only if USART_MODE = 0xE or 0xF in the [USART Mode Register](#).

The following configuration values are valid for all listed bit names of this register:

0: No effect

1: Enables the corresponding interrupt.

RXRDY: RXRDY Interrupt Enable

TXRDY: TXRDY Interrupt Enable

OVRE: Overrun Error Interrupt Enable

TXEMPTY: TXEMPTY Interrupt Enable

UNRE: SPI Underrun Error Interrupt Enable

NSSE: NSS Line (Driving CTS Pin) Rising or Falling Edge Event Interrupt Enable

44.7.7 USART Interrupt Disable Register

Name:US_IDR

Address:0xF001C00C (0), 0xF002000C (1), 0xF802000C (2), 0xF802400C (3)

Access:Write-only

31	30	29	28	27	26	25	24
–	–	–	–	–	–	–	MANE
23	22	21	20	19	18	17	16
–	–	–	–	CTSIC	–	–	–
15	14	13	12	11	10	9	8
–	–	NACK	–	–	ITER	TXEMPTY	TIMEOUT
7	6	5	4	3	2	1	0
PARE	FRAME	OVRE	–	–	RXBRK	TXRDY	RXRDY

For SPI specific configuration, see [Section 44.7.8 USART Interrupt Disable Register \(SPI_MODE\)](#).

The following configuration values are valid for all listed bit names of this register:

0: No effect

1: Disables the corresponding interrupt.

RXRDY: RXRDY Interrupt Disable

TXRDY: TXRDY Interrupt Disable

RXBRK: Receiver Break Interrupt Disable

OVRE: Overrun Error Interrupt Enable

FRAME: Framing Error Interrupt Disable

PARE: Parity Error Interrupt Disable

TIMEOUT: Time-out Interrupt Disable

TXEMPTY: TXEMPTY Interrupt Disable

ITER: Max Number of Repetitions Reached Interrupt Disable

NACK: Non Acknowledge Interrupt Disable

CTSIC: Clear to Send Input Change Interrupt Disable

MANE: Manchester Error Interrupt Disable

SAMA5D3 SERIES

44.7.8 USART Interrupt Disable Register (SPI_MODE)

Name: US_IDR (SPI_MODE)

Address: 0xF001C00C (0), 0xF002000C (1), 0xF802000C (2), 0xF802400C (3)

Access: Write-only

31	30	29	28	27	26	25	24
–	–	–	–	–	–	–	–
23	22	21	20	19	18	17	16
–	–	–	–	NSSE	–	–	–
15	14	13	12	11	10	9	8
–	–	–	–	–	UNRE	TXEMPTY	–
7	6	5	4	3	2	1	0
–	–	OVRE	–	–	–	TXRDY	RXRDY

This configuration is relevant only if USART_MODE = 0xE or 0xF in the [USART Mode Register](#).

The following configuration values are valid for all listed bit names of this register:

0: No effect

1: Disables the corresponding interrupt.

RXRDY: RXRDY Interrupt Disable

TXRDY: TXRDY Interrupt Disable

OVRE: Overrun Error Interrupt Disable

TXEMPTY: TXEMPTY Interrupt Disable

UNRE: SPI Underrun Error Interrupt Disable

NSSE: NSS Line (Driving CTS Pin) Rising or Falling Edge Event Interrupt Disable

44.7.9 USART Interrupt Mask Register

Name:US_IMR

Address:0xF001C010 (0), 0xF0020010 (1), 0xF8020010 (2), 0xF8024010 (3)

Access:Read-only

31	30	29	28	27	26	25	24
–	–	–	–	–	–	–	MANE
23	22	21	20	19	18	17	16
–	–	–	–	CTSIC	–	–	–
15	14	13	12	11	10	9	8
–	–	NACK	–	–	ITER	TXEMPTY	TIMEOUT
7	6	5	4	3	2	1	0
PARE	FRAME	OVRE	–	–	RXBRK	TXRDY	RXRDY

For SPI specific configuration, see [Section 44.7.10 USART Interrupt Mask Register \(SPI_MODE\)](#).

The following configuration values are valid for all listed bit names of this register:

0: The corresponding interrupt is not enabled.

1: The corresponding interrupt is enabled.

RXRDY: RXRDY Interrupt Mask

TXRDY: TXRDY Interrupt Mask

RXBRK: Receiver Break Interrupt Mask

OVRE: Overrun Error Interrupt Mask

FRAME: Framing Error Interrupt Mask

PARE: Parity Error Interrupt Mask

TIMEOUT: Time-out Interrupt Mask

TXEMPTY: TXEMPTY Interrupt Mask

ITER: Max Number of Repetitions Reached Interrupt Mask

NACK: Non Acknowledge Interrupt Mask

CTSIC: Clear to Send Input Change Interrupt Mask

MANE: Manchester Error Interrupt Mask

SAMA5D3 SERIES

44.7.10 USART Interrupt Mask Register (SPI_MODE)

Name:US_IMR (SPI_MODE)

Address:0xF001C010 (0), 0xF0020010 (1), 0xF8020010 (2), 0xF8024010 (3)

Access:Read-only

31	30	29	28	27	26	25	24
–	–	–	–	–	–	–	–
23	22	21	20	19	18	17	16
–	–	–	–	NSSE	–	–	–
15	14	13	12	11	10	9	8
–	–	–	–	–	UNRE	TXEMPTY	–
7	6	5	4	3	2	1	0
–	–	OVRE	–	–	–	TXRDY	RXRDY

This configuration is relevant only if USART_MODE = 0xE or 0xF in the [USART Mode Register](#).

The following configuration values are valid for all listed bit names of this register:

0: The corresponding interrupt is not enabled.

1: The corresponding interrupt is enabled.

RXRDY: RXRDY Interrupt Mask

TXRDY: TXRDY Interrupt Mask

OVRE: Overrun Error Interrupt Mask

TXEMPTY: TXEMPTY Interrupt Mask

UNRE: SPI Underrun Error Interrupt Mask

NSSE: NSS Line (Driving CTS Pin) Rising or Falling Edge Event Interrupt Mask

44.7.11 USART Channel Status Register

Name:US_CSR

Address:0xF001C014 (0), 0xF0020014 (1), 0xF8020014 (2), 0xF8024014 (3)

Access:Read-only

31	30	29	28	27	26	25	24
–	–	–	–	–	–	–	MANERR
23	22	21	20	19	18	17	16
CTS	–	–	–	CTSIC	–	–	–
15	14	13	12	11	10	9	8
–	–	NACK	–	–	ITER	TXEMPTY	TIMEOUT
7	6	5	4	3	2	1	0
PARE	FRAME	OVRE	–	–	RXBRK	TXRDY	RXRDY

For SPI specific configuration, see [Section 44.7.12 USART Channel Status Register \(SPI_MODE\)](#).

RXRDY: Receiver Ready (cleared by reading US_RHR)

0: No complete character has been received since the last read of US_RHR or the receiver is disabled. If characters were being received when the receiver was disabled, RXRDY changes to 1 when the receiver is enabled.

1: At least one complete character has been received and US_RHR has not yet been read.

TXRDY: Transmitter Ready (cleared by writing US_THR)

0: A character is in the US_THR waiting to be transferred to the Transmit Shift Register, or an STTBRK command has been requested, or the transmitter is disabled. As soon as the transmitter is enabled, TXRDY becomes 1.

1: There is no character in the US_THR.

RXBRK: Break Received/End of Break (cleared by writing a one to bit US_CR.RSTSTA)

0: No break received or end of break detected since the last RSTSTA.

1: Break received or end of break detected since the last RSTSTA.

OVRE: Overrun Error (cleared by writing a one to bit US_CR.RSTSTA)

0: No overrun error has occurred since the last RSTSTA.

1: At least one overrun error has occurred since the last RSTSTA.

FRAME: Framing Error (cleared by writing a one to bit US_CR.RSTSTA)

0: No stop bit has been detected low since the last RSTSTA.

1: At least one stop bit has been detected low since the last RSTSTA.

PARE: Parity Error (cleared by writing a one to bit US_CR.RSTSTA)

0: No parity error has been detected since the last RSTSTA.

1: At least one parity error has been detected since the last RSTSTA.

TIMEOUT: Receiver Time-out (cleared by writing a one to bit US_CR.STTTO)

0: There has not been a time-out since the last Start Time-out command (STTTO in US_CR) or the Time-out Register is 0.

1: There has been a time-out since the last Start Time-out command (STTTO in US_CR).

TXEMPTY: Transmitter Empty (cleared by writing US_THR)

0: There are characters in either US_THR or the Transmit Shift Register, or the transmitter is disabled.

1: There are no characters in US_THR, nor in the Transmit Shift Register.

SAMA5D3 SERIES

ITER: Max Number of Repetitions Reached (cleared by writing a one to bit US_CR.RSTIT)

0: Maximum number of repetitions has not been reached since the last RSTIT.

1: Maximum number of repetitions has been reached since the last RSTIT.

NACK: Non Acknowledge Interrupt (cleared by writing a one to bit US_CR.RSTNACK)

0: Non acknowledge has not been detected since the last RSTNACK.

1: At least one non acknowledge has been detected since the last RSTNACK.

CTSIC: Clear to Send Input Change Flag (cleared on read)

0: No input change has been detected on the CTS pin since the last read of US_CSR.

1: At least one input change has been detected on the CTS pin since the last read of US_CSR.

CTS: Image of CTS Input

0: CTS input is driven low.

1: CTS input is driven high.

MANERR: Manchester Error (cleared by writing a one to the bit US_CR.RSTSTA)

0: No Manchester error has been detected since the last RSTSTA.

1: At least one Manchester error has been detected since the last RSTSTA.

44.7.12 USART Channel Status Register (SPI_MODE)

Name:US_CSR (SPI_MODE)

Address:0xF001C014 (0), 0xF0020014 (1), 0xF8020014 (2), 0xF8024014 (3)

Access:Read-only

31	30	29	28	27	26	25	24
–	–	–	–	–	–	–	–
23	22	21	20	19	18	17	16
NSS	–	–	–	NSSE	–	–	–
15	14	13	12	11	10	9	8
–	–	–	–	–	UNRE	TXEMPTY	–
7	6	5	4	3	2	1	0
–	–	OVRE	–	–	–	TXRDY	RXRDY

This configuration is relevant only if USART_MODE = 0xE or 0xF in the [USART Mode Register](#).

RXRDY: Receiver Ready (cleared by reading US_RHR)

0: No complete character has been received since the last read of US_RHR or the receiver is disabled. If characters were being received when the receiver was disabled, RXRDY changes to 1 when the receiver is enabled.

1: At least one complete character has been received and US_RHR has not yet been read.

TXRDY: Transmitter Ready (cleared by writing US_THR)

0: A character is in the US_THR waiting to be transferred to the Transmit Shift Register or the transmitter is disabled. As soon as the transmitter is enabled, TXRDY becomes 1.

1: There is no character in the US_THR.

OVRE: Overrun Error (cleared by writing a one to bit US_CR.RSTSTA)

0: No overrun error has occurred since the last RSTSTA.

1: At least one overrun error has occurred since the last RSTSTA.

TXEMPTY: Transmitter Empty (cleared by writing US_THR)

0: There are characters in either US_THR or the Transmit Shift Register, or the transmitter is disabled.

1: There are no characters in US_THR, nor in the Transmit Shift Register.

UNRE: Underrun Error (cleared by writing a one to bit US_CR.RSTSTA)

0: No SPI underrun error has occurred since the last RSTSTA.

1: At least one SPI underrun error has occurred since the last RSTSTA.

NSSE: NSS Line (Driving CTS Pin) Rising or Falling Edge Event (cleared on read)

0: No NSS line event has been detected since the last read of US_CSR.

1: A rising or falling edge event has been detected on NSS line since the last read of US_CSR .

NSS: Image of NSS Line

0: NSS line is driven low (if NSSE = 1, falling edge occurred on NSS line).

1: NSS line is driven high (if NSSE = 1, rising edge occurred on NSS line).

SAMA5D3 SERIES

44.7.13 USART Receive Holding Register

Name:US_RHR

Address:0xF001C018 (0), 0xF0020018 (1), 0xF8020018 (2), 0xF8024018 (3)

Access:Read-only

31	30	29	28	27	26	25	24
–	–	–	–	–	–	–	–
23	22	21	20	19	18	17	16
–	–	–	–	–	–	–	–
15	14	13	12	11	10	9	8
RXSYNH	–	–	–	–	–	–	RXCHR
7	6	5	4	3	2	1	0
RXCHR							

RXCHR: Received Character

Last character received if RXRDY is set.

RXSYNH: Received Sync

0: Last character received is a data.

1: Last character received is a command.

44.7.14 USART Transmit Holding Register

Name:US_THR

Address:0xF001C01C (0), 0xF002001C (1), 0xF802001C (2), 0xF802401C (3)

Access:Write-only

31	30	29	28	27	26	25	24
–	–	–	–	–	–	–	–
23	22	21	20	19	18	17	16
–	–	–	–	–	–	–	–
15	14	13	12	11	10	9	8
TXSYNH	–	–	–	–	–	–	TXCHR
7	6	5	4	3	2	1	0
TXCHR							

TXCHR: Character to be Transmitted

Next character to be transmitted after the current character if TXRDY is not set.

TXSYNH: Sync Field to be Transmitted

0: The next character sent is encoded as a data. Start frame delimiter is DATA SYNC.

1: The next character sent is encoded as a command. Start frame delimiter is COMMAND SYNC.

SAMA5D3 SERIES

44.7.15 USART Baud Rate Generator Register

Name: US_BRGR

Address: 0xF001C020 (0), 0xF0020020 (1), 0xF8020020 (2), 0xF8024020 (3)

Access: Read/Write

31	30	29	28	27	26	25	24
–	–	–	–	–	–	–	–
23	22	21	20	19	18	17	16
–	–	–	–	–	FP		
15	14	13	12	11	10	9	8
CD							
7	6	5	4	3	2	1	0
CD							

This register can only be written if the WPEN bit is cleared in the [USART Write Protection Mode Register](#).

CD: Clock Divider

CD	USART_MODE ≠ ISO7816			USART_MODE = ISO7816
	SYNC = 0		SYNC = 1 or USART_MODE = SPI (Master or Slave)	
	OVER = 0	OVER = 1		
0	Baud Rate Clock Disabled			
1 to 65535	CD = Selected Clock / (16 × Baud Rate)	CD = Selected Clock / (8 × Baud Rate)	CD = Selected Clock / Baud Rate	CD = Selected Clock / (FI_DI_RATIO × Baud Rate)

FP: Fractional Part

0: Fractional divider is disabled.

1–7: Baud rate resolution, defined by $FP \times 1/8$.

Warning: When the value of field FP is greater than 0, the SCK (oversampling clock) generates non-constant duty cycles. The SCK high duration is increased by “selected clock” period from time to time. The duty cycle depends on the value of the CD field.

44.7.16 USART Receiver Time-out Register

Name:US_RTOR

Address:0xF001C024 (0), 0xF0020024 (1), 0xF8020024 (2), 0xF8024024 (3)

Access:Read/Write

31	30	29	28	27	26	25	24
–	–	–	–	–	–	–	–
23	22	21	20	19	18	17	16
–	–	–	–	–	–	–	–
15	14	13	12	11	10	9	8
TO							
7	6	5	4	3	2	1	0
TO							

This register can only be written if the WPEN bit is cleared in the [USART Write Protection Mode Register](#).

TO: Time-out Value

0: The receiver time-out is disabled.

1–65535: The receiver time-out is enabled and TO is Time-out Delay / Bit Period.

SAMA5D3 SERIES

44.7.17 USART Transmitter Timeguard Register

Name:US_TTGR

Address:0xF001C028 (0), 0xF0020028 (1), 0xF8020028 (2), 0xF8024028 (3)

Access:Read/Write

31	30	29	28	27	26	25	24
–	–	–	–	–	–	–	–
23	22	21	20	19	18	17	16
–	–	–	–	–	–	–	–
15	14	13	12	11	10	9	8
–	–	–	–	–	–	–	–
7	6	5	4	3	2	1	0
TG							

This register can only be written if the WPEN bit is cleared in the [USART Write Protection Mode Register](#).

- **TG: Timeguard Value**

0: The transmitter timeguard is disabled.

1–255: The transmitter timeguard is enabled and TG is Timeguard Delay / Bit Period.

44.7.18 USART FI DI RATIO Register

Name:US_FIDI

Address:0xF001C040 (0), 0xF0020040 (1), 0xF8020040 (2), 0xF8024040 (3)

Access:Read/Write

31	30	29	28	27	26	25	24
–	–	–	–	–	–	–	–
23	22	21	20	19	18	17	16
–	–	–	–	–	–	–	–
15	14	13	12	11	10	9	8
–	–	–	–	–	FI_DI_RATIO		
7	6	5	4	3	2	1	0
FI_DI_RATIO							

This register can only be written if the WPEN bit is cleared in the [USART Write Protection Mode Register](#).

FI_DI_RATIO: FI Over DI Ratio Value

0: If ISO7816 mode is selected, the baud rate generator generates no signal.

1–2: Do not use.

3–2047: If ISO7816 mode is selected, the baud rate is the clock provided on SCK divided by FI_DI_RATIO.

SAMA5D3 SERIES

44.7.19 USART Number of Errors Register

Name:US_NER

Address:0xF001C044 (0), 0xF0020044 (1), 0xF8020044 (2), 0xF8024044 (3)

Access:Read-only

31	30	29	28	27	26	25	24
–	–	–	–	–	–	–	–
23	22	21	20	19	18	17	16
–	–	–	–	–	–	–	–
15	14	13	12	11	10	9	8
–	–	–	–	–	–	–	–
7	6	5	4	3	2	1	0
NB_ERRORS							

This register is relevant only if USART_MODE = 0x4 or 0x6 in the [USART Mode Register](#).

NB_ERRORS: Number of Errors

Total number of errors that occurred during an ISO7816 transfer. This register automatically clears when read.

44.7.20 USART IrDA Filter Register

Name:US_IF

Address:0xF001C04C (0), 0xF002004C (1), 0xF802004C (2), 0xF802404C (3)

Access:Read/Write

31	30	29	28	27	26	25	24
–	–	–	–	–	–	–	–
23	22	21	20	19	18	17	16
–	–	–	–	–	–	–	–
15	14	13	12	11	10	9	8
–	–	–	–	–	–	–	–
7	6	5	4	3	2	1	0
IRDA_FILTER							

This register is relevant only if USART_MODE = 0x8 in the [USART Mode Register](#).

This register can only be written if the WPEN bit is cleared in the [USART Write Protection Mode Register](#).

IRDA_FILTER: IrDA Filter

The IRDA_FILTER value must be defined to meet the following criteria:

$$t_{\text{peripheral clock}} \times (\text{IRDA_FILTER} + 3) < 1.41 \mu\text{s}$$

SAMA5D3 SERIES

44.7.21 USART Manchester Configuration Register

Name: US_MAN

Address: 0xF001C050 (0), 0xF0020050 (1), 0xF8020050 (2), 0xF8024050 (3)

Access: Read/Write

31	30	29	28	27	26	25	24	
–	DRIFT	ONE	RX_MPOL	–	–	RX_PP		
23	22	21	20	19	18	17	16	
–	–	–	–	RX_PL				–
15	14	13	12	11	10	9	8	
–	–	–	TX_MPOL	–	–	TX_PP		
7	6	5	4	3	2	1	0	
–	–	–	–	TX_PL				–

This register can only be written if the WPEN bit is cleared in the [USART Write Protection Mode Register](#).

TX_PL: Transmitter Preamble Length

0: The transmitter preamble pattern generation is disabled

1–15: The preamble length is TX_PL × Bit Period

TX_PP: Transmitter Preamble Pattern

The following values assume that TX_MPOL field is not set:

Value	Name	Description
0	ALL_ONE	The preamble is composed of '1's
1	ALL_ZERO	The preamble is composed of '0's
2	ZERO_ONE	The preamble is composed of '01's
3	ONE_ZERO	The preamble is composed of '10's

TX_MPOL: Transmitter Manchester Polarity

0: Logic zero is coded as a zero-to-one transition, Logic one is coded as a one-to-zero transition.

1: Logic zero is coded as a one-to-zero transition, Logic one is coded as a zero-to-one transition.

RX_PL: Receiver Preamble Length

0: The receiver preamble pattern detection is disabled

1–15: The detected preamble length is RX_PL × Bit Period

RX_PP: Receiver Preamble Pattern detected

The following values assume that RX_MPOL field is not set:

Value	Name	Description
00	ALL_ONE	The preamble is composed of '1's
01	ALL_ZERO	The preamble is composed of '0's
10	ZERO_ONE	The preamble is composed of '01's
11	ONE_ZERO	The preamble is composed of '10's

RX_MPOL: Receiver Manchester Polarity

0: Logic zero is coded as a zero-to-one transition, Logic one is coded as a one-to-zero transition.

1: Logic zero is coded as a one-to-zero transition, Logic one is coded as a zero-to-one transition.

ONE: Must Be Set to 1

Bit 29 must always be set to 1 when programming the US_MAN register.

DRIFT: Drift Compensation

0: The USART cannot recover from an important clock drift

1: The USART can recover from clock drift. The 16X clock mode must be enabled.

SAMA5D3 SERIES

44.7.22 USART Write Protection Mode Register

Name:US_WPMR

Address:0xF001C0E4 (0), 0xF00200E4 (1), 0xF80200E4 (2), 0xF80240E4 (3)

Access:Read/Write

31	30	29	28	27	26	25	24
WPKEY							
23	22	21	20	19	18	17	16
WPKEY							
15	14	13	12	11	10	9	8
WPKEY							
7	6	5	4	3	2	1	0
–	–	–	–	–	–	–	WPEN

WPEN: Write Protection Enable

0: Disables the write protection if WPKEY corresponds to 0x555341 (“USA” in ASCII).

1: Enables the write protection if WPKEY corresponds to 0x555341 (“USA” in ASCII).

See [Section 44.6.9 Register Write Protection](#) for the list of registers that can be write-protected.

WPKEY: Write Protection Key

Value	Name	Description
0x555341	PASSWD	Writing any other value in this field aborts the write operation of the WPEN bit. Always reads as 0.

44.7.23 USART Write Protection Status Register

Name:US_WPSR

Address:0xF001C0E8 (0), 0xF00200E8 (1), 0xF80200E8 (2), 0xF80240E8 (3)

Access:Read-only

31	30	29	28	27	26	25	24
–	–	–	–	–	–	–	–
23	22	21	20	19	18	17	16
WPVSRC							
15	14	13	12	11	10	9	8
WPVSRC							
7	6	5	4	3	2	1	0
–	–	–	–	–	–	–	WPVS

WPVS: Write Protection Violation Status

0: No write protection violation has occurred since the last read of the US_WPSR.

1: A write protection violation has occurred since the last read of the US_WPSR. If this violation is an unauthorized attempt to write a protected register, the associated violation is reported into field WPVSRC.

WPVSRC: Write Protection Violation Source

When WPVS = 1, WPVSRC indicates the register address offset at which a write access has been attempted.

SAMA5D3 SERIES

45. CAN Controller

45.1 Description

The CAN controller provides all the features required to implement the serial communication protocol CAN defined by Robert Bosch GmbH, the CAN specification as referred to by ISO/11898A (2.0 Part A and 2.0 Part B) for high speeds and ISO/11519-2 for low speeds. The CAN Controller is able to handle all types of frames (Data, Remote, Error and Overload) and achieves a bitrate of 1 Mbit/s.

CAN controller accesses are made through configuration registers. 8 independent message objects (mailboxes) are implemented.

Any mailbox can be programmed as a reception buffer block (even non-consecutive buffers). For the reception of defined messages, one or several message objects can be masked without participating in the buffer feature. An interrupt is generated when the buffer is full. According to the mailbox configuration, the first message received can be locked in the CAN controller registers until the application acknowledges it, or this message can be discarded by new received messages.

Any mailbox can be programmed for transmission. Several transmission mailboxes can be enabled in the same time. A priority can be defined for each mailbox independently.

An internal 16-bit timer is used to stamp each received and sent message. This timer starts counting as soon as the CAN controller is enabled. This counter can be reset by the application or automatically after a reception in the last mailbox in Time Triggered Mode.

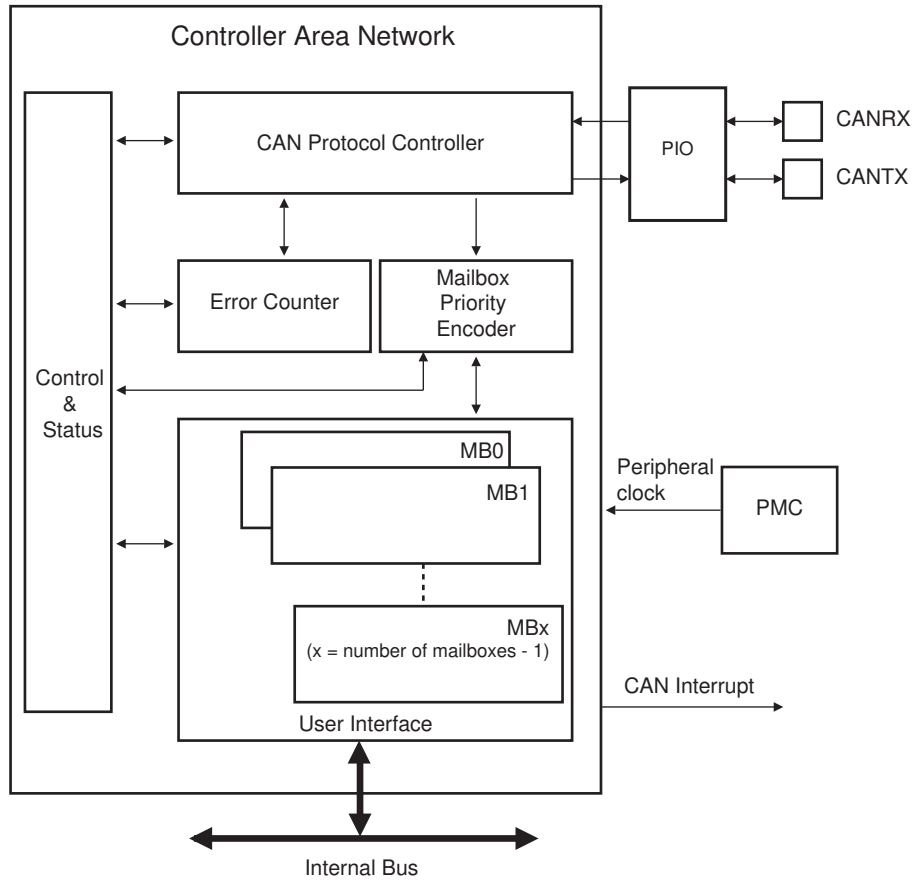
The CAN controller offers optimized features to support the Time Triggered Communication (TTC) protocol.

45.2 Embedded Characteristics

- Fully Compliant with CAN 2.0 Part A and 2.0 Part B
- Bit Rates up to 1 Mbit/s
- 8 Object Oriented Mailboxes with the Following Properties:
 - CAN Specification 2.0 Part A or 2.0 Part B Programmable for Each Message
 - Object Configurable in Receive (with Overwrite or Not) or Transmit Modes
 - Independent 29-bit Identifier and Mask Defined for Each Mailbox
 - 32-bit Access to Data Registers for Each Mailbox Data Object
 - Uses a 16-bit Timestamp on Receive and Transmit Messages
 - Hardware Concatenation of ID Masked Bitfields To Speed Up Family ID Processing
- 16-bit Internal Timer for Timestamping and Network Synchronization
- Programmable Reception Buffer Length up to 8 Mailbox Objects
- Priority Management between Transmission Mailboxes
- Autobaud and Listening Mode
- Low-power Mode and Programmable Wake-up on Bus Activity or by the Application
- Data, Remote, Error and Overload Frame Handling
- Register Write Protection

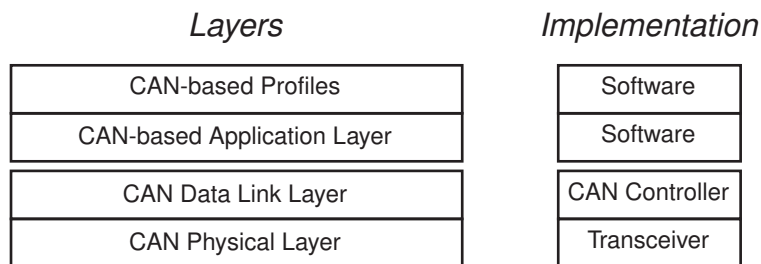
45.3 Block Diagram

Figure 45-1: CAN Block Diagram



45.4 Application Block Diagram

Figure 45-2: Application Block Diagram



SAMA5D3 SERIES

45.5 I/O Lines Description

Table 45-1: I/O Lines Description

Name	Description	Type
CANRX	CAN Receive Serial Data	Input
CANTX	CAN Transmit Serial Data	Output

45.6 Product Dependencies

45.6.1 I/O Lines

The pins used for interfacing the CAN may be multiplexed with the PIO lines. The programmer must first program the PIO controller to assign the desired CAN pins to their peripheral function. If I/O lines of the CAN are not used by the application, they can be used for other purposes by the PIO Controller.

Table 45-2: I/O Lines

Instance	Signal	I/O Line	Peripheral
CAN0	CANRX0	PD14	C
CAN0	CANTX0	PD15	C
CAN1	CANRX1	PB14	B
CAN1	CANTX1	PB15	B

45.6.2 Power Management

The programmer must first enable the CAN clock in the Power Management Controller (PMC) before using the CAN.

A Low-power mode is defined for the CAN controller. If the application does not require CAN operations, the CAN clock can be stopped when not needed and be restarted later. Before stopping the clock, the CAN Controller must be in Low-power mode to complete the current transfer. After restarting the clock, the application must disable the Low-power mode of the CAN controller.

45.6.3 Interrupt Sources

The CAN interrupt line is connected on one of the internal sources of the interrupt controller. Using the CAN interrupt requires the interrupt controller to be programmed first. Note that it is not recommended to use the CAN interrupt line in edge-sensitive mode.

Table 45-3: Peripheral IDs

Instance	ID
CAN0	40
CAN1	41

45.7 CAN Controller Features

45.7.1 CAN Protocol Overview

The Controller Area Network (CAN) is a multi-master serial communication protocol that efficiently supports real-time control with a very high level of security with bit rates up to 1 Mbit/s.

The CAN protocol supports four different frame types:

- Data frames: They carry data from a transmitter node to the receiver nodes. The overall maximum data frame length is 108 bits for a standard frame and 128 bits for an extended frame.
- Remote frames: A destination node can request data from the source by sending a remote frame with an identifier that matches the identifier of the required data frame. The appropriate data source node then sends a data frame as a response to this node request.
- Error frames: An error frame is generated by any node that detects a bus error.
- Overload frames: They provide an extra delay between the preceding and the successive data frames or remote frames.

The CAN controller provides the CPU with full functionality of the CAN protocol V2.0 Part A and V2.0 Part B. It minimizes the CPU load in communication overhead. The Data Link Layer and part of the physical layer are automatically handled by the CAN controller itself.

The CPU reads or writes data or messages via the CAN controller mailboxes. An identifier is assigned to each mailbox. The CAN controller encapsulates or decodes data messages to build or to decode bus data frames. Remote frames, error frames and overload frames are automatically handled by the CAN controller under supervision of the software application.

45.7.2 Mailbox Organization

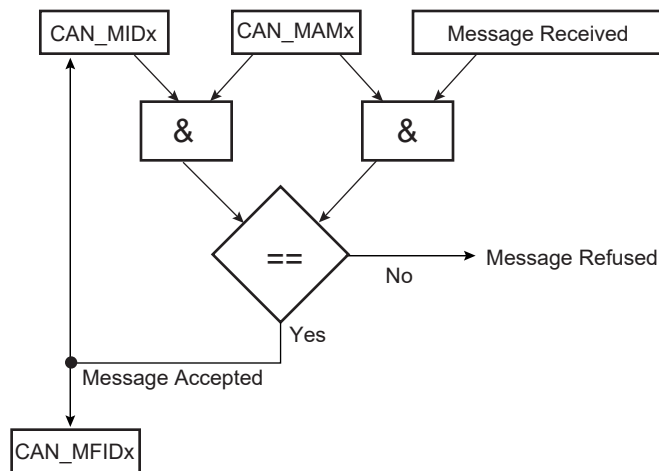
The CAN module has 8 buffers, also called channels or mailboxes. An identifier that corresponds to the CAN identifier is defined for each active mailbox. Message identifiers can match the standard frame identifier or the extended frame identifier. This identifier is defined for the first time during the CAN initialization, but can be dynamically reconfigured later so that the mailbox can handle a new message family. Several mailboxes can be configured with the same ID.

Each mailbox can be configured in receive or in transmit mode independently. The mailbox object type is defined in the MOT field of the CAN_MMRx.

45.7.2.1 Message Acceptance Procedure

If the MIDE field in the CAN_MIDx register is set, the mailbox can handle the extended format identifier; otherwise, the mailbox handles the standard format identifier. Once a new message is received, its ID is masked with the CAN_MAMx value and compared with the CAN_MIDx value. If accepted, the message ID is copied to the CAN_MIDx register.

Figure 45-3: Message Acceptance Procedure



If a mailbox is dedicated to receiving several messages (a family of messages) with different IDs, the acceptance mask defined in the CAN_MAMx register must mask the variable part of the ID family. Once a message is received, the application must decode the masked bits in the CAN_MIDx. To speed up the decoding, masked bits are grouped in the family ID register (CAN_MFIDx).

For example, if the following message IDs are handled by the same mailbox:

```

ID0 101000100100010010000100 0 11 00b
ID1 1010001001000100100000100 0 11 01b
ID2 1010001001000100100000100 0 11 10b
ID3 1010001001000100100000100 0 11 11b
ID4 1010001001000100100000100 1 11 00b
ID5 1010001001000100100000100 1 11 01b
ID6 1010001001000100100000100 1 11 10b
ID7 1010001001000100100000100 1 11 11b
    
```

The CAN_MIDx and CAN_MAMx of Mailbox x must be initialized to the corresponding values:

```

CAN_MIDx = 001 1010001001000100100000100 x 11 xxb
CAN_MAMx = 001 111111111111111111111111 0 11 00b
    
```

If Mailbox x receives a message with ID6, then CAN_MIDx and CAN_MFIDx are set:

```

CAN_MIDx = 001 1010001001000100100000100 1 11 10b
CAN_MFIDx = 00000000000000000000000000000000110b
    
```

If the application associates a handler for each message ID, it may define an array of pointers to functions:

```
void (*pHandler[8])(void);
```

SAMA5D3 SERIES

When a message is received, the corresponding handler can be invoked using CAN_MFIDx register and there is no need to check masked bits:

```
unsigned int MFID0_register;
MFID0_register = Get_CAN_MFID0_Register();
// Get_CAN_MFID0_Register() returns the value of the CAN_MFID0 register
pHandler[MFID0_register]();
```

45.7.2.2 Receive Mailbox

When the CAN module receives a message, it looks for the first available mailbox with the lowest number and compares the received message ID with the mailbox ID. If such a mailbox is found, then the message is stored in its data registers. Depending on the configuration, the mailbox is disabled as long as the message has not been acknowledged by the application (Receive only), or, if new messages with the same ID are received, then they overwrite the previous ones (Receive with overwrite).

It is also possible to configure a mailbox in Consumer Mode. In this mode, after each transfer request, a remote frame is automatically sent. The first answer received is stored in the corresponding mailbox data registers.

Several mailboxes can be chained to receive a buffer. They must be configured with the same ID in Receive Mode, except for the last one, which can be configured in Receive with Overwrite Mode. The last mailbox can be used to detect a buffer overflow.

Table 45-4: Receive Mailbox Objects

Object Type	Description
Receive	The first message received is stored in mailbox data registers. Data remain available until the next transfer request.
Receive with overwrite	The last message received is stored in mailbox data register. The next message always overwrites the previous one. The application has to check whether a new message has not overwritten the current one while reading the data registers.
Consumer	A remote frame is sent by the mailbox. The answer received is stored in mailbox data register. This extends Receive mailbox features. Data remain available until the next transfer request.

45.7.2.3 Transmit Mailbox

When transmitting a message, the message length and data are written to the transmit mailbox with the correct identifier. For each transmit mailbox, a priority is assigned. The controller automatically sends the message with the highest priority first (set with the field PRIOR in CAN_MMRx).

It is also possible to configure a mailbox in Producer Mode. In this mode, when a remote frame is received, the mailbox data are sent automatically. By enabling this mode, a producer can be done using only one mailbox instead of two: one to detect the remote frame and one to send the answer.

Table 45-5: Transmit Mailbox Objects

Object Type	Description
Transmit	The message stored in the mailbox data registers will try to win the bus arbitration immediately or later according to or not the Time Management Unit configuration (see Section 45.7.3 Time Management Unit). The application is notified that the message has been sent or aborted.
Producer	The message prepared in the mailbox data registers will be sent after receiving the next remote frame. This extends transmit mailbox features.

45.7.3 Time Management Unit

The CAN Controller integrates a free-running 16-bit internal timer. The counter is driven by the bit clock of the CAN bus line. It is enabled when the CAN controller is enabled (CANEN set in the CAN_MR). It is automatically cleared in the following cases:

- after a reset
- when the CAN controller is in Low-power mode is enabled (LPM bit set in the CAN_MR and SLEEP bit set in the CAN_SR)
- after a reset of the CAN controller (CANEN bit in the CAN_MR)
- in Time-triggered Mode, when a message is accepted by the last mailbox (rising edge of the MRDY signal in the CAN_MSR_{last_mailbox_number} register).

The application can also reset the internal timer by setting TIMRST in the CAN_TCR. The current value of the internal timer is always accessible by reading the CAN_TIM register.

When the timer rolls-over from FFFFh to 0000h, TOVF (Timer Overflow) signal in the CAN_SR is set. TOVF bit in the CAN_SR is cleared by reading the CAN_SR. Depending on the corresponding interrupt mask in the CAN_IMR, an interrupt is generated while TOVF is set.

In a CAN network, some CAN devices may have a larger counter. In this case, the application can also decide to freeze the internal counter when the timer reaches FFFFh and to wait for a restart condition from another device. This feature is enabled by setting TIMFRZ in the CAN_MR. The CAN_TIM register is frozen to the FFFFh value. A clear condition described above restarts the timer. A timer overflow (TOVF) interrupt is triggered.

To monitor the CAN bus activity, the CAN_TIM register is copied to the CAN_TIMESTP register after each start of frame or end of frame and a TSTP interrupt is triggered. If TEOF bit in the CAN_MR is set, the value is captured at each End Of Frame, else it is captured at each Start Of Frame. Depending on the corresponding mask in the CAN_IMR, an interrupt is generated while TSTP is set in the CAN_SR. TSTP bit is cleared by reading the CAN_SR.

The time management unit can operate in one of the two following modes:

- Timestamping mode: The value of the internal timer is captured at each Start Of Frame or each End Of Frame
- Time Triggered mode: A mailbox transfer operation is triggered when the internal timer reaches the mailbox trigger.

Timestamping Mode is enabled by clearing TTM field in the CAN_MR. Time Triggered Mode is enabled by setting TTM field in the CAN_MR.

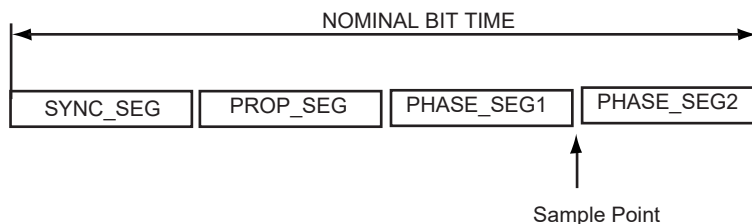
45.7.4 CAN 2.0 Standard Features

45.7.4.1 CAN Bit Timing Configuration

All controllers on a CAN bus must have the same bit rate and bit length. At different clock frequencies of the individual controllers, the bit rate has to be adjusted by the time segments.

The CAN protocol specification partitions the nominal bit time into four different segments.

Figure 45-4: Partition of the CAN Bit Time



- SYNC SEG: SYNChronization Segment
This part of the bit time is used to synchronize the various nodes on the bus. An edge is expected to lie within this segment. It is one TQ long.
- PROP SEG: PROPagation Segment
This part of the bit time is used to compensate for the physical delay times within the network. It is twice the sum of the signal's propagation time on the bus line, the input comparator delay, and the output driver delay. It is programmable to be 1,2,..., 8 TQ long.
This parameter is defined in the PROPAG field of the [CAN Baudrate Register](#).
- PHASE SEG1, PHASE SEG2: PHASE Segment 1 and 2
The Phase-Buffer-Segments are used to compensate for edge phase errors. These segments can be lengthened (PHASE SEG1) or shortened (PHASE SEG2) by resynchronization.

SAMA5D3 SERIES

Phase Segment 1 is programmable to be 1, 2, ..., 8 TQ long.

Phase Segment 2 length has to be at least as long as the Information Processing Time (IPT) and may not be more than the length of Phase Segment 1.

These parameters are defined in the PHASE1 and PHASE2 fields of the [CAN Baudrate Register](#).

- TIME QUANTUM

The TIME QUANTUM (TQ) is a fixed unit of time derived from the peripheral clock period. The total number of TIME QUANTA in a bit time is programmable from 8 to 25.

- INFORMATION PROCESSING TIME

The Information Processing Time (IPT) is the time required for the logic to determine the bit level of a sampled bit. The IPT begins at the sample point, is measured in TQ and **is fixed at two TQ for the Microchip CAN**. Since Phase Segment 2 also begins at the sample point and is the last segment in the bit time, PHASE SEG2 shall not be less than the IPT.

- SAMPLE POINT

The SAMPLE POINT is the point in time at which the bus level is read and interpreted as the value of that respective bit. Its location is at the end of PHASE_SEG1.

- SJW: ReSynchronization Jump Width

The ReSynchronization Jump Width defines the limit to the amount of lengthening or shortening of the phase segments.

SJW is programmable to be the minimum of PHASE SEG1 and four TQ.

If the SMP field in the CAN_BR is set, then the incoming bit stream is sampled three times with a period of half a CAN clock period, centered on sample point.

In the CAN controller, the length of a bit on the CAN bus is determined by the parameters (BRP, PROPAG, PHASE1 and PHASE2).

$$t_{\text{BIT}} = t_{\text{CSC}} + t_{\text{PRS}} + t_{\text{PHS1}} + t_{\text{PHS2}}$$

The time quantum is calculated as follows:

$$t_{\text{CSC}} = (\text{BRP} + 1) / t_{\text{peripheral clock}}$$

Note: The BRP field must be within the range [1, 0x7F], i.e., BRP = 0 is not authorized.

$$t_{\text{PRS}} = t_{\text{CSC}} \times (\text{PROPAG} + 1)$$

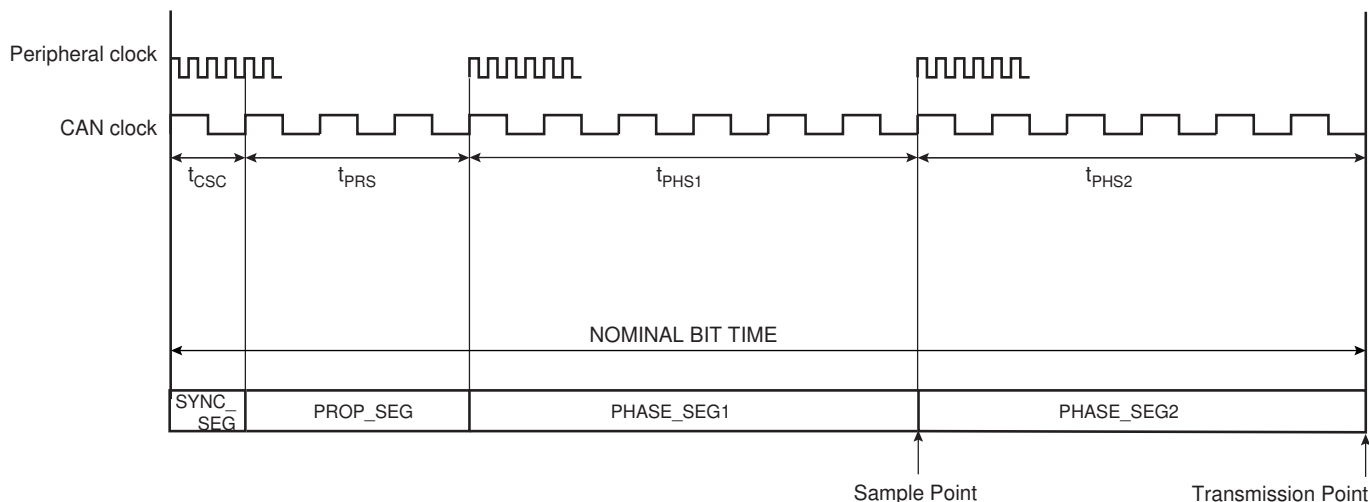
$$t_{\text{PHS1}} = t_{\text{CSC}} \times (\text{PHASE1} + 1)$$

$$t_{\text{PHS2}} = t_{\text{CSC}} \times (\text{PHASE2} + 1)$$

To compensate for phase shifts between clock oscillators of different controllers on the bus, the CAN controller must resynchronize on any relevant signal edge of the current transmission. The resynchronization shortens or lengthens the bit time so that the position of the sample point is shifted with regard to the detected edge. The resynchronization jump width (SJW) defines the maximum of time by which a bit period may be shortened or lengthened by resynchronization.

$$t_{\text{SJW}} = t_{\text{CSC}} \times (\text{SJW} + 1)$$

Figure 45-5: CAN Bit Timing



Example of bit timing determination for CAN baudrate of 500 kbit/s:

$$f_{\text{Peripheral clock}} = 48 \text{ MHz}$$

$$\text{CAN baudrate} = 500 \text{ kbit/s} \Rightarrow \text{bit time} = 2 \mu\text{s}$$

Delay of the bus driver: 50 ns

Delay of the receiver: 30 ns

Delay of the bus line (20 m): 110 ns

The total number of time quanta in a bit time must be comprised between 8 and 25. If we fix the bit time to 16 time quanta:

$$t_{\text{CSC}} = 1 \text{ time quanta} = \text{bit time} / 16 = 125 \text{ ns}$$

$$\Rightarrow \text{BRP} = (t_{\text{CSC}} \times f_{\text{peripheral clock}}) - 1 = 5$$

The propagation segment time is equal to twice the sum of the signal's propagation time on the bus line, the receiver delay and the output driver delay:

$$t_{\text{PRS}} = 2 * (50+30+110) \text{ ns} = 380 \text{ ns} = 3 t_{\text{CSC}}$$

$$\Rightarrow \text{PROPAG} = t_{\text{PRS}}/t_{\text{CSC}} - 1 = 2$$

The remaining time for the two phase segments is:

$$t_{\text{PHS1}} + t_{\text{PHS2}} = \text{bit time} - t_{\text{CSC}} - t_{\text{PRS}} = (16 - 1 - 3)t_{\text{CSC}}$$

$$t_{\text{PHS1}} + t_{\text{PHS2}} = 12 t_{\text{CSC}}$$

Because this number is even, we choose $t_{\text{PHS2}} = t_{\text{PHS1}}$ (else we would choose $t_{\text{PHS2}} = t_{\text{PHS1}} + t_{\text{CSC}}$).

$$t_{\text{PHS1}} = t_{\text{PHS2}} = (12/2) t_{\text{CSC}} = 6 t_{\text{CSC}}$$

$$\Rightarrow \text{PHASE1} = \text{PHASE2} = t_{\text{PHS1}}/t_{\text{CSC}} - 1 = 5$$

The resynchronization jump width must comprise between one t_{CSC} and the minimum of four t_{CSC} and t_{PHS1} . We choose its maximum value:

$$t_{\text{SJW}} = \text{Min}(4 t_{\text{CSC}}, t_{\text{PHS1}}) = 4 t_{\text{CSC}}$$

$$\Rightarrow \text{SJW} = t_{\text{SJW}}/t_{\text{CSC}} - 1 = 3$$

Finally: CAN_BR = 0x00053255

• CAN Bus Synchronization

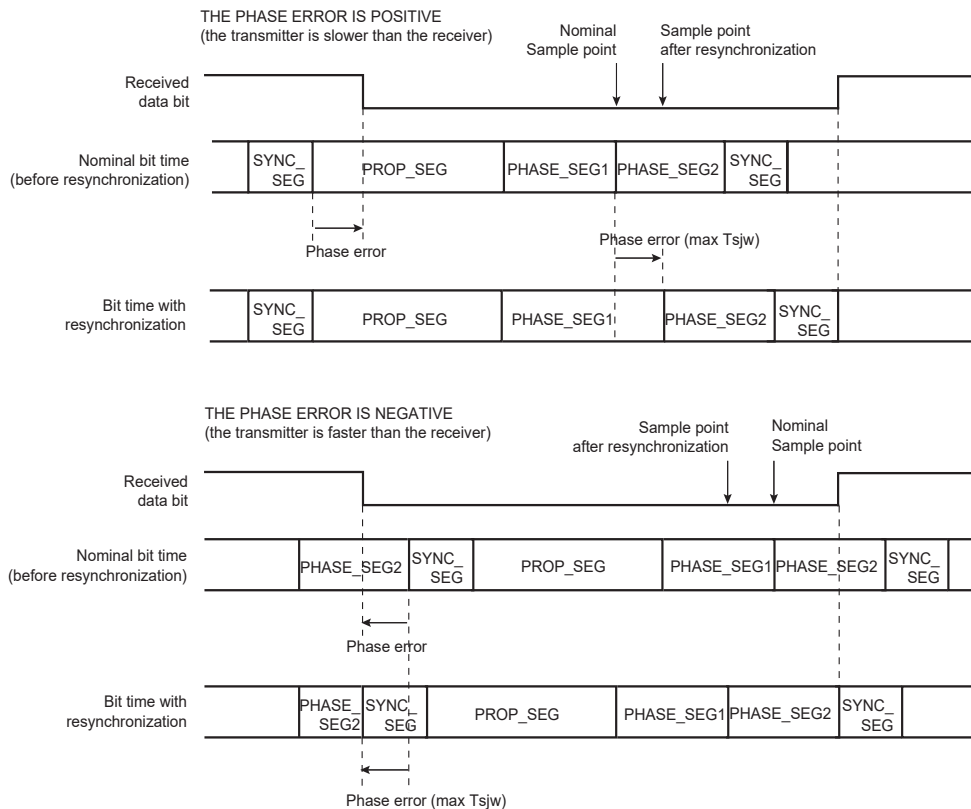
Two types of synchronization are distinguished: "hard synchronization" at the start of a frame and "resynchronization" inside a frame. After a hard synchronization, the bit time is restarted with the end of the SYNC_SEG segment, regardless of the phase error. Resynchronization causes a reduction or increase in the bit time so that the position of the sample point is shifted with respect to the detected edge.

The effect of resynchronization is the same as that of hard synchronization when the magnitude of the phase error of the edge causing the resynchronization is less than or equal to the programmed value of the resynchronization jump width (t_{SJW}).

When the magnitude of the phase error is larger than the resynchronization jump width and

- the phase error is positive, then PHASE_SEG1 is lengthened by an amount equal to the resynchronization jump width.
- the phase error is negative, then PHASE_SEG2 is shortened by an amount equal to the resynchronization jump width.

Figure 45-6: CAN Resynchronization



- **Autobaud Mode**

The autobaud feature is enabled by setting the ABM field in the CAN_MR. In this mode, the CAN controller is only listening to the line without acknowledging the received messages. It can not send any message. The errors flags are updated. The bit timing can be adjusted until no error occurs (good configuration found). In this mode, the error counters are frozen. To go back to the standard mode, the ABM bit must be cleared in the CAN_MR.

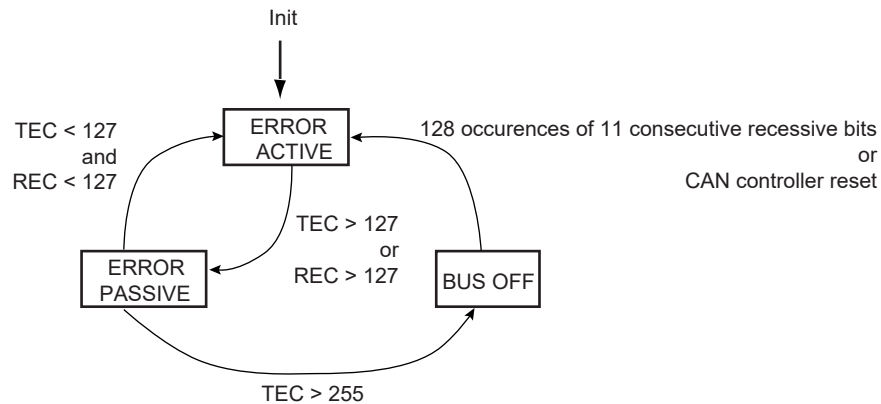
45.7.4.2 Error Detection

There are five different error types that are not mutually exclusive. Each error concerns only specific fields of the CAN data frame (refer to the Bosch CAN specification for their correspondence):

- **CRC error (CERR bit in the CAN_SR):** With the CRC, the transmitter calculates a checksum for the CRC bit sequence from the Start of Frame bit until the end of the Data Field. This CRC sequence is transmitted in the CRC field of the Data or Remote Frame.
- **Bit-stuffing error (SERR bit in the CAN_SR):** If a node detects a sixth consecutive equal bit level during the bit-stuffing area of a frame, it generates an Error Frame starting with the next bit-time.
- **Bit error (BERR bit in CAN_SR):** A bit error occurs if a transmitter sends a dominant bit but detects a recessive bit on the bus line, or if it sends a recessive bit but detects a dominant bit on the bus line. An error frame is generated and starts with the next bit time.
- **Form Error (FERR bit in the CAN_SR):** If a transmitter detects a dominant bit in one of the fix-formatted segments CRC Delimiter, ACK Delimiter or End of Frame, a form error has occurred and an error frame is generated.
- **Acknowledgment error (AERR bit in the CAN_SR):** The transmitter checks the Acknowledge Slot, which is transmitted by the transmitting node as a recessive bit, contains a dominant bit. If this is the case, at least one other node has received the frame correctly. If not, an Acknowledge Error has occurred and the transmitter will start in the next bit-time an Error Frame transmission.
- **Fault Confinement**

To distinguish between temporary and permanent failures, every CAN controller has two error counters: REC (Receive Error Counter) and TEC (Transmit Error Counter). The two counters are incremented upon detected errors and are decremented upon correct transmissions or receptions, respectively. Depending on the counter values, the state of the node changes: the initial state of the CAN controller is Error Active, meaning that the controller can send Error Active flags. The controller changes to the Error Passive state if there is an accumulation of errors. If the CAN controller fails or if there is an extreme accumulation of errors, there is a state transition to Bus Off.

Figure 45-7: Line Error Mode



An error active unit takes part in bus communication and sends an active error frame when the CAN controller detects an error.

An error passive unit cannot send an active error frame. It takes part in bus communication, but when an error is detected, a passive error frame is sent. Also, after a transmission, an error passive unit waits before initiating further transmission.

A bus off unit is not allowed to have any influence on the bus.

For fault confinement, two errors counters (TEC and REC) are implemented. These counters are accessible via the CAN_ECR. The state of the CAN controller is automatically updated according to these counter values. If the CAN controller enters Error Active state, then the ERRA bit is set in the CAN_SR. The corresponding interrupt is pending while the interrupt is not masked in the CAN_IMR. If the CAN controller enters Error Passive Mode, then the ERRP bit is set in the CAN_SR and an interrupt remains pending while the ERRP bit is set in the CAN_IMR. If the CAN enters Bus Off Mode, then the BOFF bit is set in the CAN_SR. As for ERRP and ERRA, an interrupt is pending while the BOFF bit is set in the CAN_IMR.

When one of the error counters values exceeds 96, an increased error rate is indicated to the controller through the WARN bit in CAN_SR, but the node remains error active. The corresponding interrupt is pending while the interrupt is set in the CAN_IMR.

Refer to the Bosch CAN specification v2.0 for details on fault confinement.

- Error Interrupt Handler

ERRA, WARN, ERRP and BOFF (CAN_SR) store the key transitions of the CAN bus status as defined in [Figure 45-7 on page 1413](#). The transitions depend on the TEC and REC (CAN_ECR) values as described in [Fault Confinement](#).

These flags are latched to keep from triggering a spurious interrupt in case these bits are used as the source of an interrupt. Thus, these flags may not reflect the current status of the CAN bus.

The current CAN bus state can be determined by reading the TEC and REC fields of CAN_ECR.

45.7.4.3 Overload

The overload frame is provided to request a delay of the next data or remote frame by the receiver node (“Request overload frame”) or to signal certain error conditions (“Reactive overload frame”) related to the intermission field respectively.

Reactive overload frames are transmitted after detection of the following error conditions:

- Detection of a dominant bit during the first two bits of the intermission field
- Detection of a dominant bit in the last bit of EOF by a receiver, or detection of a dominant bit by a receiver or a transmitter at the last bit of an error or overload frame delimiter

The CAN controller can generate a request overload frame automatically after each message sent to one of the CAN controller mailboxes. This feature is enabled by setting the OVL bit in the CAN_MR.

Reactive overload frames are automatically handled by the CAN controller even if the OVL bit in the CAN_MR is not set. An overload flag is generated in the same way as an error flag, but error counters do not increment.

45.7.5 Low-power Mode

In Low-power mode, the CAN controller cannot send or receive messages. All mailboxes are inactive.

In Low-power mode, the SLEEP signal in the CAN_SR is set; otherwise, the WAKEUP signal in the CAN_SR is set. These two bits are exclusive except after a CAN controller reset (WAKEUP and SLEEP are stuck at 0 after a reset). After power-up reset, the Low-power mode is disabled and the WAKEUP bit is set in the CAN_SR only after detection of 11 consecutive recessive bits on the bus.

SAMA5D3 SERIES

45.7.5.1 Enabling Low-power Mode

A software application can enable Low-power mode by setting the LPM bit in the CAN_MR global register. The CAN controller enters Low-power mode once all pending transmit messages are sent.

When the CAN controller enters Low-power mode, the SLEEP signal in the CAN_SR is set. Depending on the corresponding mask in the CAN_IMR, an interrupt is generated while SLEEP is set.

The SLEEP signal in the CAN_SR is automatically cleared once WAKEUP is set. The WAKEUP signal is automatically cleared once SLEEP is set.

Reception is disabled while the SLEEP signal is set to one in the CAN_SR. It is important to note that those messages with higher priority than the last message transmitted can be received between the LPM command and entry in Low-power mode.

Once in Low-power mode, the CAN controller clock can be switched off by programming the chip's Power Management Controller (PMC). The CAN controller drains only the static current.

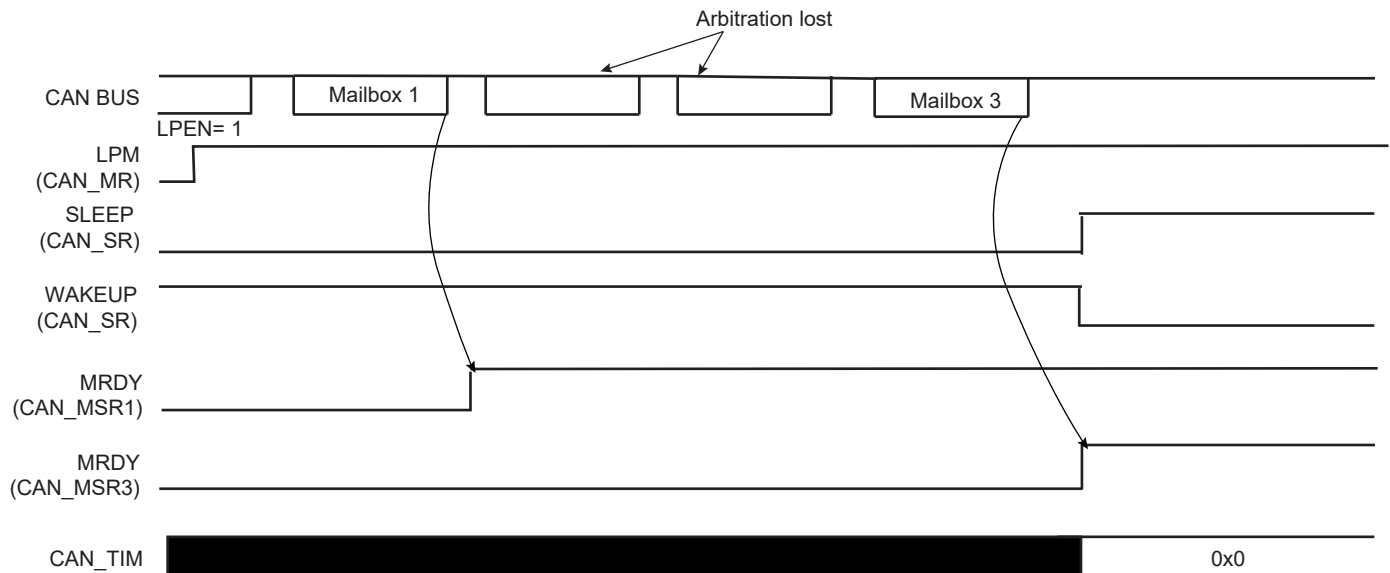
Error counters are disabled while the SLEEP signal is set to one.

Thus, to enter Low-power mode, the software application must:

- Set LPM field in the CAN_MR
- Wait for SLEEP signal rising

Now the CAN Controller clock can be disabled. This is done by programming the Power Management Controller (PMC).

Figure 45-8: Enabling Low-power Mode



45.7.5.2 Disabling Low-power Mode

The CAN controller can be awake after detecting a CAN bus activity. Bus activity detection is done by an external module that may be embedded in the chip. When it is notified of a CAN bus activity, the software application disables Low-power mode by programming the CAN controller.

To disable Low-power mode, the software application must:

- Enable the CAN Controller clock. This is done by programming the Power Management Controller (PMC).
- Clear the LPM field in the CAN_MR

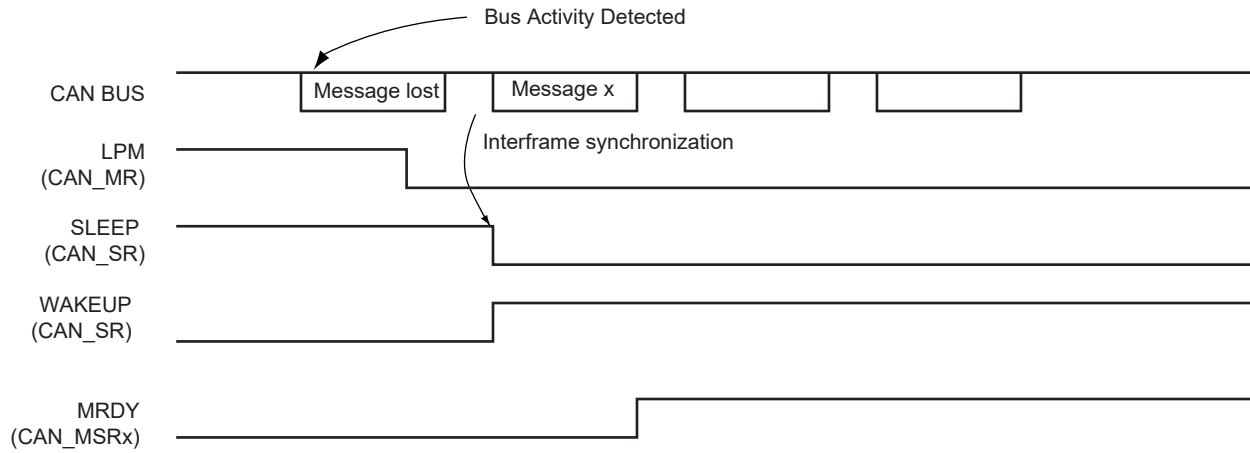
The CAN controller synchronizes itself with the bus activity by checking for eleven consecutive "recessive" bits. Once synchronized, the WAKEUP signal in the CAN_SR is set.

Depending on the corresponding mask in the CAN_IMR, an interrupt is generated while WAKEUP is set. The SLEEP signal in the CAN_SR is automatically cleared once WAKEUP is set. WAKEUP signal is automatically cleared once SLEEP is set.

If no message is being sent on the bus, then the CAN controller is able to send a message eleven bit times after disabling Low-power mode.

If there is bus activity when Low-power mode is disabled, the CAN controller is synchronized with the bus activity in the next interframe. The previous message is lost (see [Figure 45-9](#)).

Figure 45-9: Disabling Low-power Mode



45.8 Functional Description

45.8.1 CAN Controller Initialization

After power-up reset, the CAN controller is disabled. The CAN controller clock must be activated by the Power Management Controller (PMC) and the CAN controller interrupt line must be enabled by the interrupt controller.

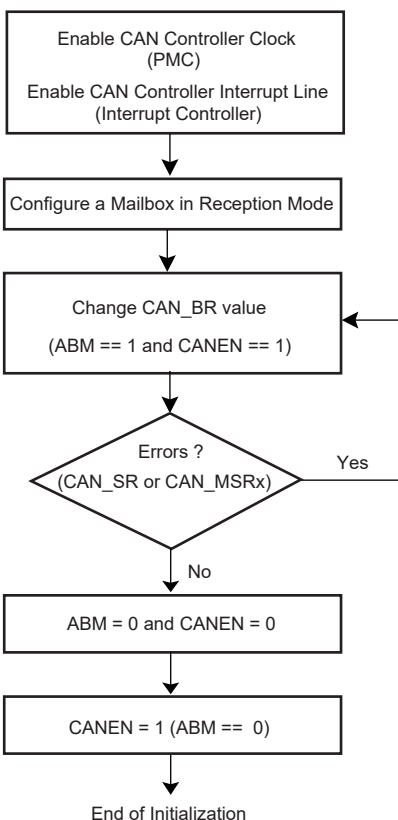
The CAN controller must be initialized with the CAN network parameters. The CAN_BR defines the sampling point in the bit time period. CAN_BR must be set before the CAN controller is enabled.

The CAN controller is enabled by setting the CANEN bit in the CAN_MR. At this stage, the internal CAN controller state machine is reset, error counters are reset to 0, and error flags are reset to 0.

Once the CAN controller is enabled, bus synchronization is done automatically by scanning eleven recessive bits. The WAKEUP bit in the CAN_SR is automatically set to 1 when the CAN controller is synchronized (WAKEUP and SLEEP are stuck at 0 after a reset).

The CAN controller can start listening to the network in Autobaud Mode. In this case, the error counters are locked and a mailbox may be configured in Receive Mode. By scanning error flags, the CAN_BR values synchronized with the network. Once no error has been detected, the application disables the Autobaud Mode, clearing the ABM bit in the CAN_MR.

Figure 45-10: Possible Initialization Procedure



45.8.2 CAN Controller Interrupt Handling

There are two different types of interrupts. One type of interrupt is a message-object related interrupt, the other is a system interrupt that handles errors or system-related interrupt sources.

All interrupt sources can be masked by writing the corresponding field in the CAN_IDR. They can be unmasked by writing to the CAN_IER. After a power-up reset, all interrupt sources are disabled (masked). The current mask status can be checked by reading the CAN_IMR.

The CAN_SR gives all interrupt source states.

The following events may initiate one of the two interrupts:

- Message object interrupt
 - Data registers in the mailbox object are available to the application. In Receive Mode, a new message was received. In Transmit Mode, a message was transmitted successfully.

- A sent transmission was aborted.
- System interrupts
 - Bus off interrupt: The CAN module enters the bus off state.
 - Error passive interrupt: The CAN module enters Error Passive Mode.
 - Error Active Mode: The CAN module is neither in Error Passive Mode nor in Bus Off mode.
 - Warn Limit interrupt: The CAN module is in Error-active Mode, but at least one of its error counter value exceeds 96.
 - Wake-up interrupt: This interrupt is generated after a wake-up and a bus synchronization.
 - Sleep interrupt: This interrupt is generated after a Low-power mode enable once all pending messages in transmission have been sent.
 - Internal timer counter overflow interrupt: This interrupt is generated when the internal timer rolls over.
 - Timestamp interrupt: This interrupt is generated after the reception or the transmission of a start of frame or an end of frame. The value of the internal counter is copied in the CAN_TIMESTP register.

All interrupts are cleared by clearing the interrupt source except for the internal timer counter overflow interrupt and the timestamp interrupt. These interrupts are cleared by reading the CAN_SR.

45.8.3 CAN Controller Message Handling

45.8.3.1 Receive Handling

Two modes are available to configure a mailbox to receive messages. In Receive Mode, the first message received is stored in the mailbox data register. In Receive with Overwrite Mode, the last message received is stored in the mailbox.

• Simple Receive Mailbox

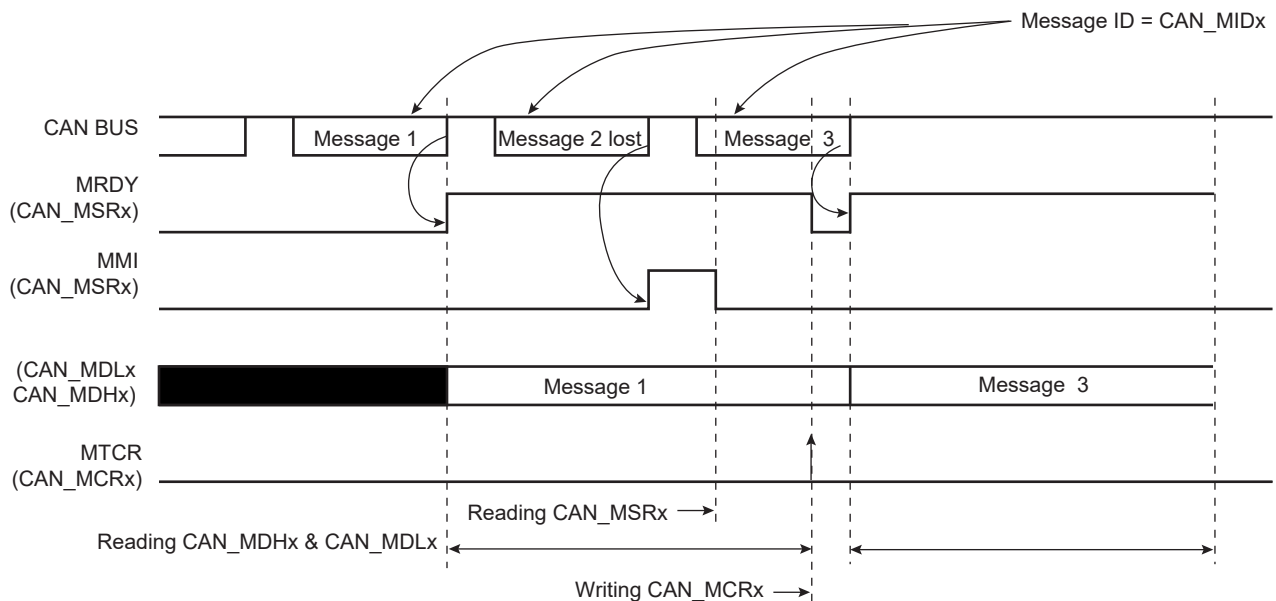
A mailbox is in Receive Mode once the MOT field in the CAN_MMRx has been configured. Message ID and Message Acceptance Mask must be set before the Receive Mode is enabled.

After Receive Mode is enabled, the MRDY flag in the CAN_MSR is automatically cleared until the first message is received. When the first message has been accepted by the mailbox, the MRDY flag is set. An interrupt is pending for the mailbox while the MRDY flag is set. This interrupt can be masked depending on the mailbox flag in the CAN_IMR global register.

Message data are stored in the mailbox data register until the software application notifies that data processing has ended. This is done by asking for a new transfer command, setting the MTCR flag in the CAN_MCRx. This automatically clears the MRDY signal.

The MMI flag in the CAN_MSRx notifies the software that a message has been lost by the mailbox. This flag is set when messages are received while MRDY is set in the CAN_MSRx. This flag is cleared by reading the CAN_MSRs register. A receive mailbox prevents from overwriting the first message by new ones while MRDY flag is set in the CAN_MSRx. See [Figure 45-11](#).

Figure 45-11: Receive Mailbox



Note: In the case of ARM architecture, CAN_MSRx, CAN_MDLx, CAN_MDHx can be read using an optimized ldm assembler instruction.

SAMA5D3 SERIES

• Receive with Overwrite Mailbox

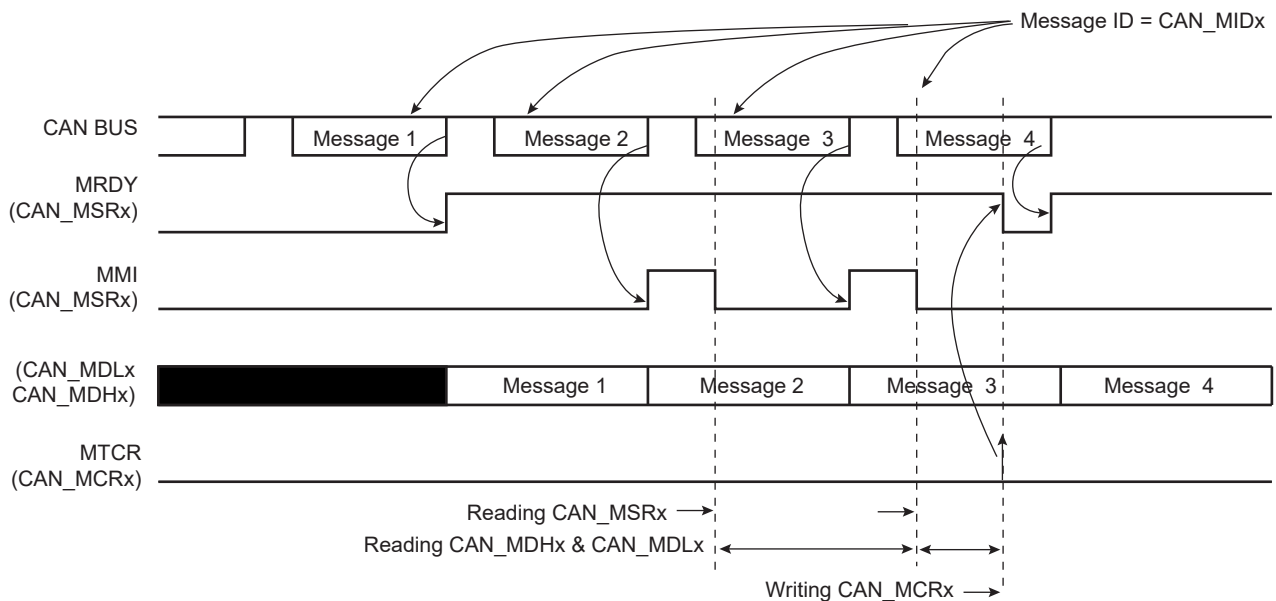
A mailbox is in Receive with Overwrite Mode once the MOT field in the CAN_MMRx has been configured. Message ID and Message Acceptance masks must be set before Receive Mode is enabled.

After Receive Mode is enabled, the MRDY flag in the CAN_MSR is automatically cleared until the first message is received. When the first message has been accepted by the mailbox, the MRDY flag is set. An interrupt is pending for the mailbox while the MRDY flag is set. This interrupt is masked depending on the mailbox flag in the CAN_IMR global register.

If a new message is received while the MRDY flag is set, this new message is stored in the mailbox data register, overwriting the previous message. The MMI flag in the CAN_MSRx notifies the software that a message has been dropped by the mailbox. This flag is cleared when reading the CAN_MSRx.

The CAN controller may store a new message in the CAN data registers while the application reads them. To check that CAN_MDHx and CAN_MDLx do not belong to different messages, the application must check the MMI bit in the CAN_MSRx before and after reading CAN_MDHx and CAN_MDLx. If the MMI flag is set again after the data registers have been read, the software application has to re-read CAN_MDHx and CAN_MDLx (see [Figure 45-12](#)).

Figure 45-12: Receive with Overwrite Mailbox

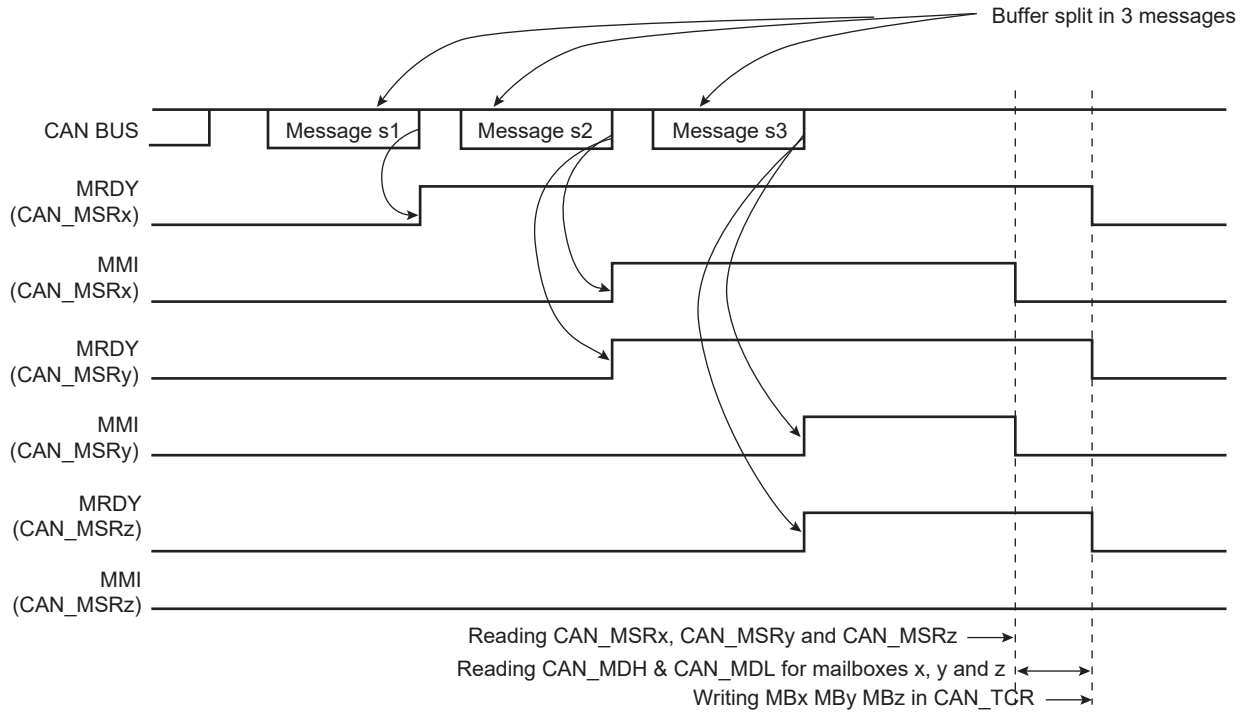


• Chaining Mailboxes

Several mailboxes may be used to receive a buffer split into several messages with the same ID. In this case, the mailbox with the lowest number is serviced first. In the receive and receive with overwrite modes, the field PRIOR in the CAN_MMRx has no effect. If Mailbox 0 and Mailbox 5 accept messages with the same ID, the first message is received by Mailbox 0 and the second message is received by Mailbox 5. Mailbox 0 must be configured in Receive Mode (i.e., the first message received is considered) and Mailbox 5 must be configured in Receive with Overwrite Mode. Mailbox 0 cannot be configured in Receive with Overwrite Mode; otherwise, all messages are accepted by this mailbox and Mailbox 5 is never serviced.

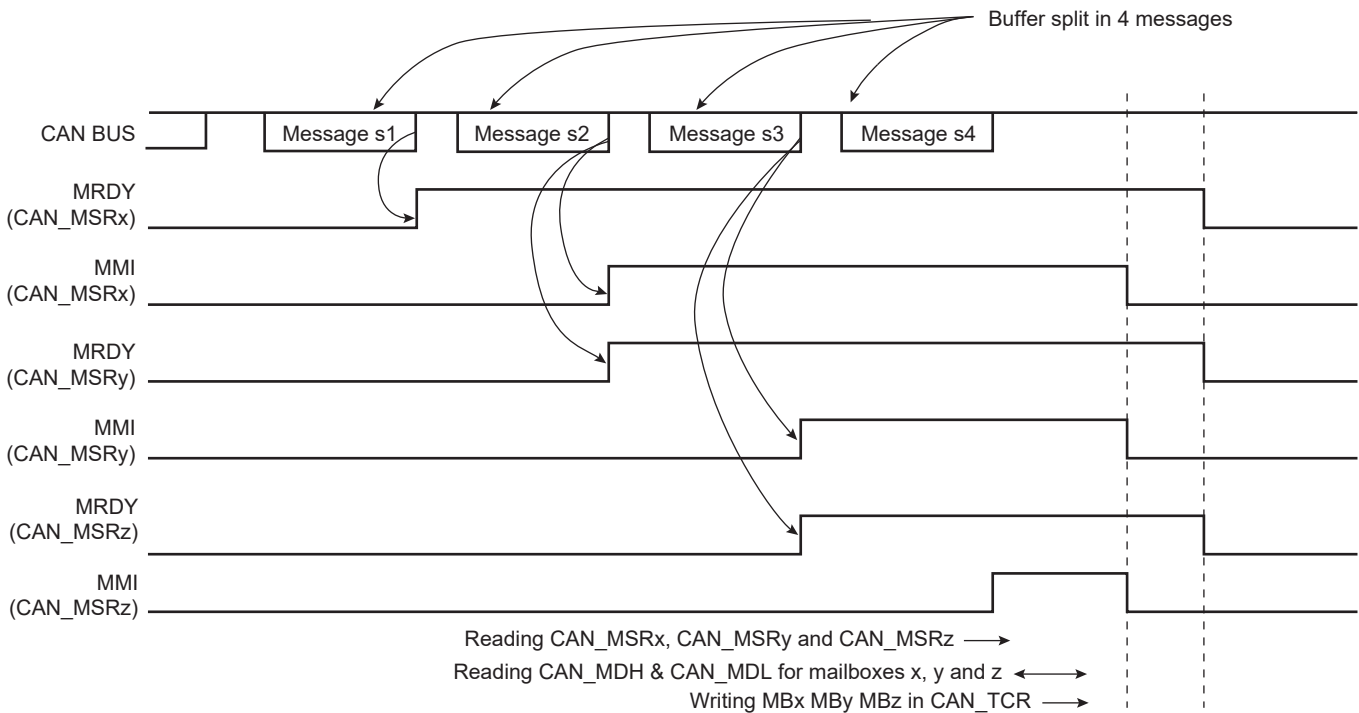
If several mailboxes are chained to receive a buffer split into several messages, all mailboxes except the last one (with the highest number) must be configured in Receive Mode. The first message received is handled by the first mailbox, the second one is refused by the first mailbox and accepted by the second mailbox, the last message is accepted by the last mailbox and refused by previous ones (see [Figure 45-13](#)).

Figure 45-13: Chaining Three Mailboxes to Receive a Buffer Split into Three Messages



If the number of mailboxes is not sufficient (the MMI flag of the last mailbox raises), the user must read each data received on the last mailbox in order to retrieve all the messages of the buffer split (see [Figure 45-14](#)).

Figure 45-14: Chaining Three Mailboxes to Receive a Buffer Split into Four Messages



SAMA5D3 SERIES

45.8.3.2 Transmission Handling

A mailbox is in Transmit Mode once the MOT field in the CAN_MMRx has been configured. Message ID and Message Acceptance mask must be set before Receive Mode is enabled.

After Transmit Mode is enabled, the MRDY flag in the CAN_MSR is automatically set until the first command is sent. When the MRDY flag is set, the software application can prepare a message to be sent by writing to the CAN_MDx registers. The message is sent once the software asks for a transfer command setting the MTCR bit and the message data length in the CAN_MCRx.

The MRDY flag remains at zero as long as the message has not been sent or aborted. It is important to note that no access to the mailbox data register is allowed while the MRDY flag is cleared. An interrupt is pending for the mailbox while the MRDY flag is set. This interrupt can be masked depending on the mailbox flag in the CAN_IMR global register.

It is also possible to send a remote frame setting the MRTR bit instead of setting the MDLC field. The answer to the remote frame is handled by another reception mailbox. In this case, the device acts as a consumer but with the help of two mailboxes. It is possible to handle the remote frame emission and the answer reception using only one mailbox configured in Consumer Mode. Refer to [Section 45.8.3.3 Remote Frame Handling](#).

Several messages can try to win the bus arbitration in the same time. The message with the highest priority is sent first. Several transfer request commands can be generated at the same time by setting MBx bits in the CAN_TCR. The priority is set in the PRIOR field of the CAN_MMRx. Priority 0 is the highest priority, priority 15 is the lowest priority. Thus it is possible to use a part of the message ID to set the PRIOR field. If two mailboxes have the same priority, the message of the mailbox with the lowest number is sent first. Thus if mailbox 0 and mailbox 5 have the same priority and have a message to send at the same time, then the message of the mailbox 0 is sent first.

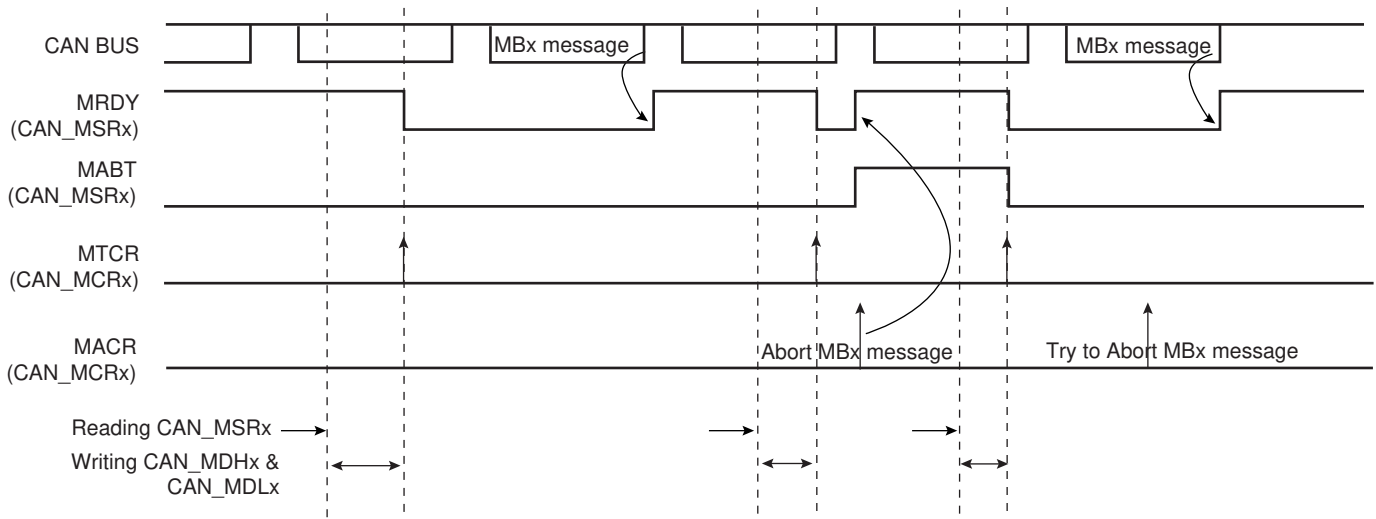
Setting the MACR bit in the CAN_MCRx aborts the transmission. Transmission for several mailboxes can be aborted by writing MBx fields in the CAN_MACR. If the message is being sent when the abort command is set, then the application is notified by the MRDY bit set and not the MABT in the CAN_MSRx. Otherwise, if the message has not been sent, then the MRDY and the MABT are set in the CAN_MSR.

When the bus arbitration is lost by a mailbox message, the CAN controller tries to win the next bus arbitration with the same message if this one still has the highest priority. Messages to be sent are re-tried automatically until they win the bus arbitration. This feature can be disabled by setting the bit DRPT in the CAN_MR. In this case if the message was not sent the first time it was transmitted to the CAN transceiver, it is automatically aborted. The MABT flag is set in the CAN_MSRx until the next transfer command.

Figure 45-15 shows three MBx message attempts being made (MRDY of MBx set to 0).

The first MBx message is sent, the second is aborted and the last one is trying to be aborted but too late because it has already been transmitted to the CAN transceiver.

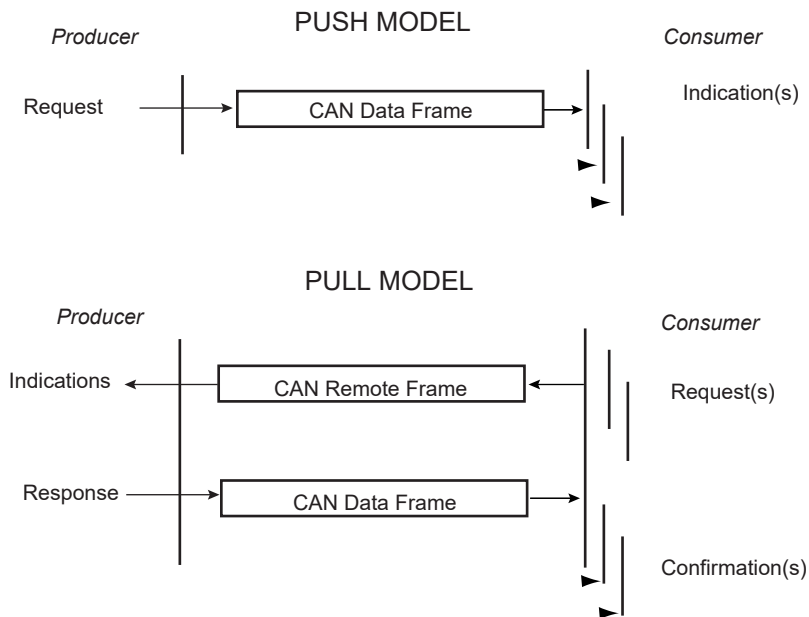
Figure 45-15: Transmitting Messages



45.8.3.3 Remote Frame Handling

Producer/consumer model is an efficient means of handling broadcasted messages. The push model allows a producer to broadcast messages; the pull model allows a customer to ask for messages.

Figure 45-16: Producer / Consumer Model



In Pull Mode, a consumer transmits a remote frame to the producer. When the producer receives a remote frame, it sends the answer accepted by one or many consumers. Using transmit and receive mailboxes, a consumer must dedicate two mailboxes, one in Transmit Mode to send remote frames, and at least one in Receive Mode to capture the producer's answer. The same structure is applicable to a producer: one reception mailbox is required to get the remote frame and one transmit mailbox to answer.

Mailboxes can be configured in Producer or Consumer Mode. A lonely mailbox can handle the remote frame and the answer. With 8 mailboxes, the CAN controller can handle 8 independent producers/consumers.

- **Producer Configuration**

A mailbox is in Producer Mode once the MOT field in the CAN_MMRx has been configured. Message ID and Message Acceptance masks must be set before Receive Mode is enabled.

After Producer Mode is enabled, the MRDY flag in the CAN_MSR is automatically set until the first transfer command. The software application prepares data to be sent by writing to the CAN_MDHx and the CAN_MDLx registers, then by setting the MTCR bit in the CAN_MCRx. Data is sent after the reception of a remote frame as soon as it wins the bus arbitration.

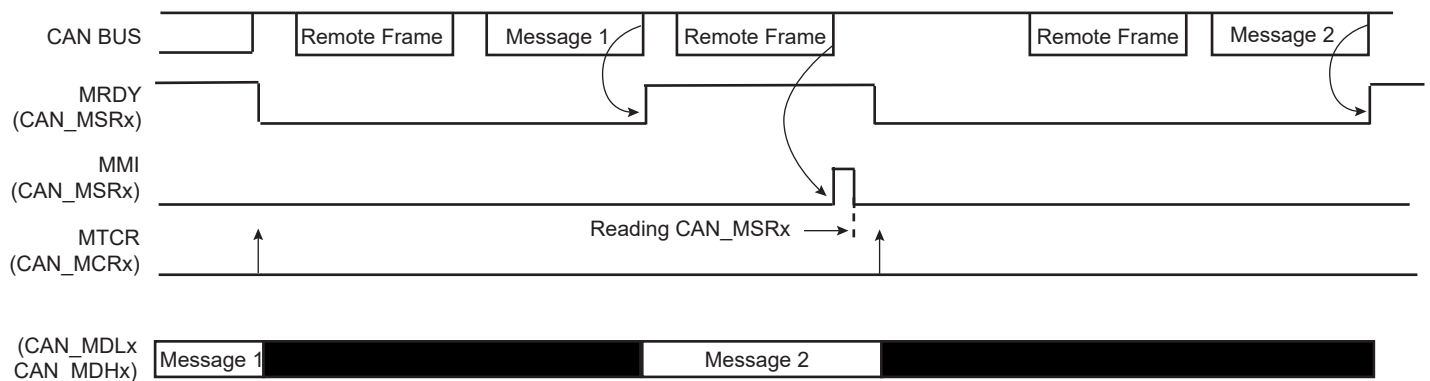
The MRDY flag remains at zero as long as the message has not been sent or aborted. No access to the mailbox data register can be done while MRDY flag is cleared. An interrupt is pending for the mailbox while the MRDY flag is set. This interrupt can be masked according to the mailbox flag in the CAN_IMR global register.

If a remote frame is received while no data are ready to be sent (signal MRDY set in the CAN_MSRx), then the MMI signal is set in the CAN_MSRx. This bit is cleared by reading the CAN_MSRx.

The MRTR field in the CAN_MSRx has no meaning. This field is used only when using Receive and Receive with Overwrite modes.

After a remote frame has been received, the mailbox functions like a transmit mailbox. The message with the highest priority is sent first. The transmitted message may be aborted by setting the MACR bit in the CAN_MCR. Refer to the section [Transmission Handling](#).

Figure 45-17: Producer Handling



- Consumer Configuration

A mailbox is in Consumer Mode once the MOT field in the CAN_MMRx has been configured. Message ID and Message Acceptance masks must be set before Receive Mode is enabled.

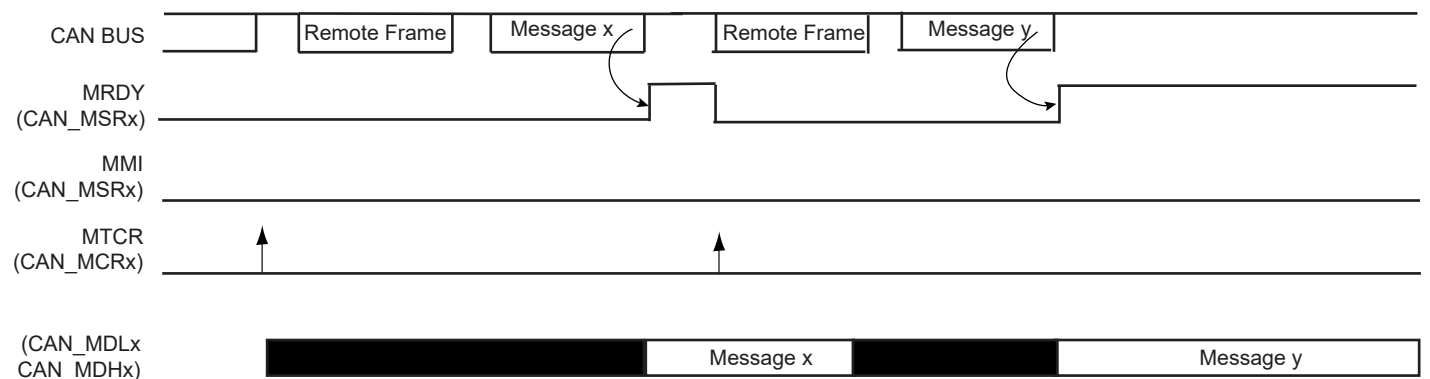
After Consumer Mode is enabled, the MRDY flag in the CAN_MSR is automatically cleared until the first transfer request command. The software application sends a remote frame by setting the MTCR bit in the CAN_MCRx or the MBx bit in the global CAN_TCR. The application is notified of the answer by the MRDY flag set in the CAN_MSRx. The application can read the data contents in the CAN_MDHx and CAN_MDLx registers. An interrupt is pending for the mailbox while the MRDY flag is set. This interrupt can be masked according to the mailbox flag in the CAN_IMR global register.

The MRTR bit in the CAN_MCRx has no effect. This field is used only when using Transmit Mode.

After a remote frame has been sent, the consumer mailbox functions as a reception mailbox. The first message received is stored in the mailbox data registers. If other messages intended for this mailbox have been sent while the MRDY flag is set in the CAN_MSRx, they will be lost. The application is notified by reading the MMI bit in the CAN_MSRx. The read operation automatically clears the MMI flag.

If several messages are answered by the Producer, the CAN controller may have one mailbox in consumer configuration, zero or several mailboxes in Receive Mode and one mailbox in Receive with Overwrite Mode. In this case, the consumer mailbox must have a lower number than the Receive with Overwrite mailbox. The transfer command can be triggered for all mailboxes at the same time by setting several MBx fields in the CAN_TCR.

Figure 45-18: Consumer Handling



45.8.4 CAN Controller Timing Modes

Using the free running 16-bit internal timer, the CAN controller can be set in one of the two following timing modes:

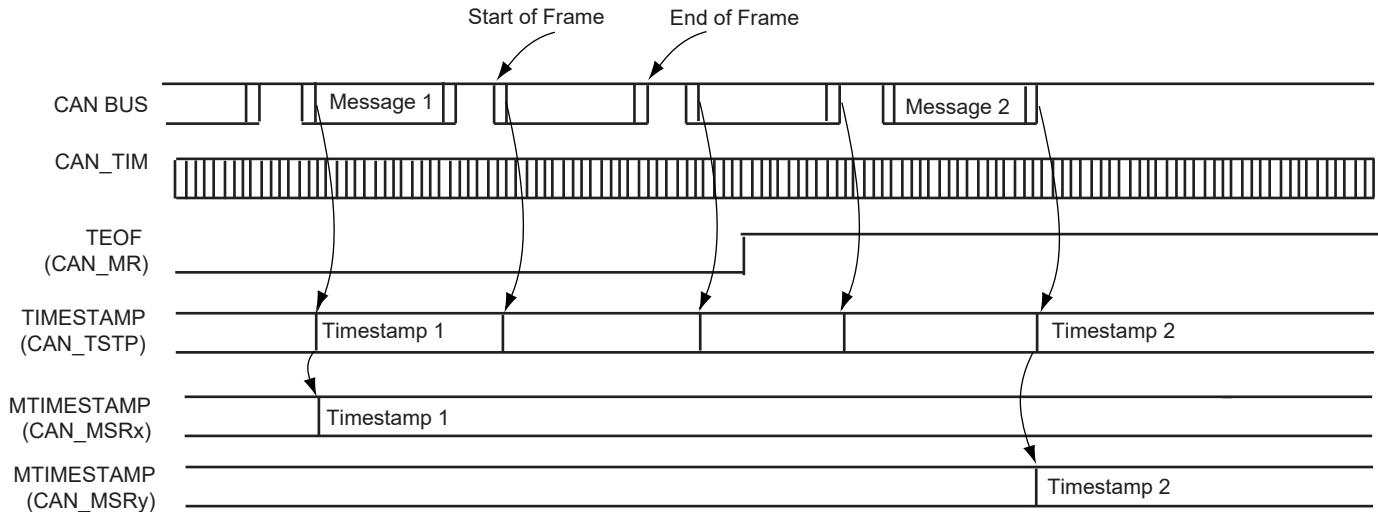
- Timestamping Mode: The value of the internal timer is captured at each Start Of Frame or each End Of Frame.
- Time Triggered Mode: The mailbox transfer operation is triggered when the internal timer reaches the mailbox trigger.

Timestamping Mode is enabled by clearing the TTM bit in the CAN_MR. Time Triggered Mode is enabled by setting the TTM bit in the CAN_MR.

45.8.4.1 Timestamping Mode

Each mailbox has its own timestamp value. Each time a message is sent or received by a mailbox, the 16-bit value MTIMESTAMP of the CAN_TIMESTP register is transferred to the LSB bits of the CAN_MSRx. The value read in the CAN_MSRx corresponds to the internal timer value at the Start Of Frame or the End Of Frame of the message handled by the mailbox.

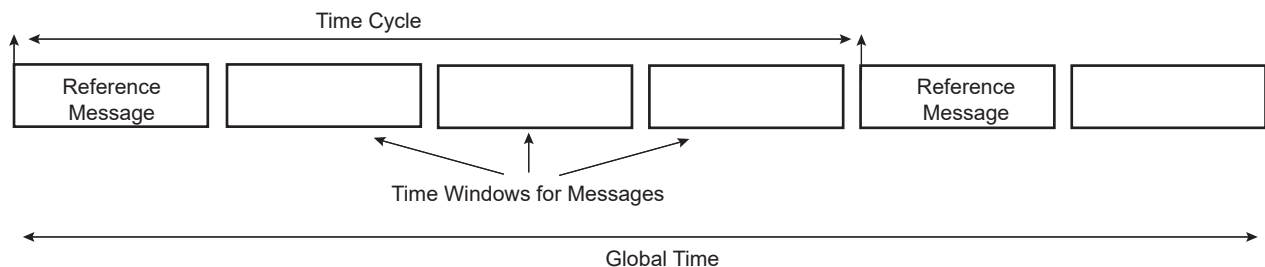
Figure 45-19: Mailbox Timestamp



45.8.4.2 Time Triggered Mode

In Time Triggered Mode, basic cycles can be split into several time windows. A basic cycle starts with a reference message. Each time a window is defined from the reference message, a transmit operation should occur within a pre-defined time window. A mailbox must not win the arbitration in a previous time window, and it must not be retried if the arbitration is lost in the time window.

Figure 45-20: Time Triggered Principle



Time Trigger Mode is enabled by setting the TTM field in the CAN_MR. In Time Triggered Mode, as in Timestamp Mode, the CAN_TIMESTP field captures the values of the internal counter, but the MTIMESTAMP fields in the CAN_MSRx registers are not active and are read at 0.

- Synchronization by a Reference Message

In Time Triggered Mode, the internal timer counter is automatically reset when a new message is received in the last mailbox. This reset occurs after the reception of the End Of Frame on the rising edge of the MRDY signal in the CAN_MSRx. This allows synchronization of the internal timer counter with the reception of a reference message and the start a new time window.

- Transmitting within a Time Window

A time mark is defined for each mailbox. It is defined in the 16-bit MTIMEMARK field of the CAN_MMRx. At each internal timer clock cycle, the value of the CAN_TIM is compared with each mailbox time mark. When the internal timer counter reaches the MTIMEMARK value, an internal timer event for the mailbox is generated for the mailbox.

In Time Triggered Mode, transmit operations are delayed until the internal timer event for the mailbox. The application prepares a message to be sent by setting the MTCR in the CAN_MCRx. The message is not sent until the CAN_TIM value is less than the MTIMEMARK value defined in the CAN_MMRx.

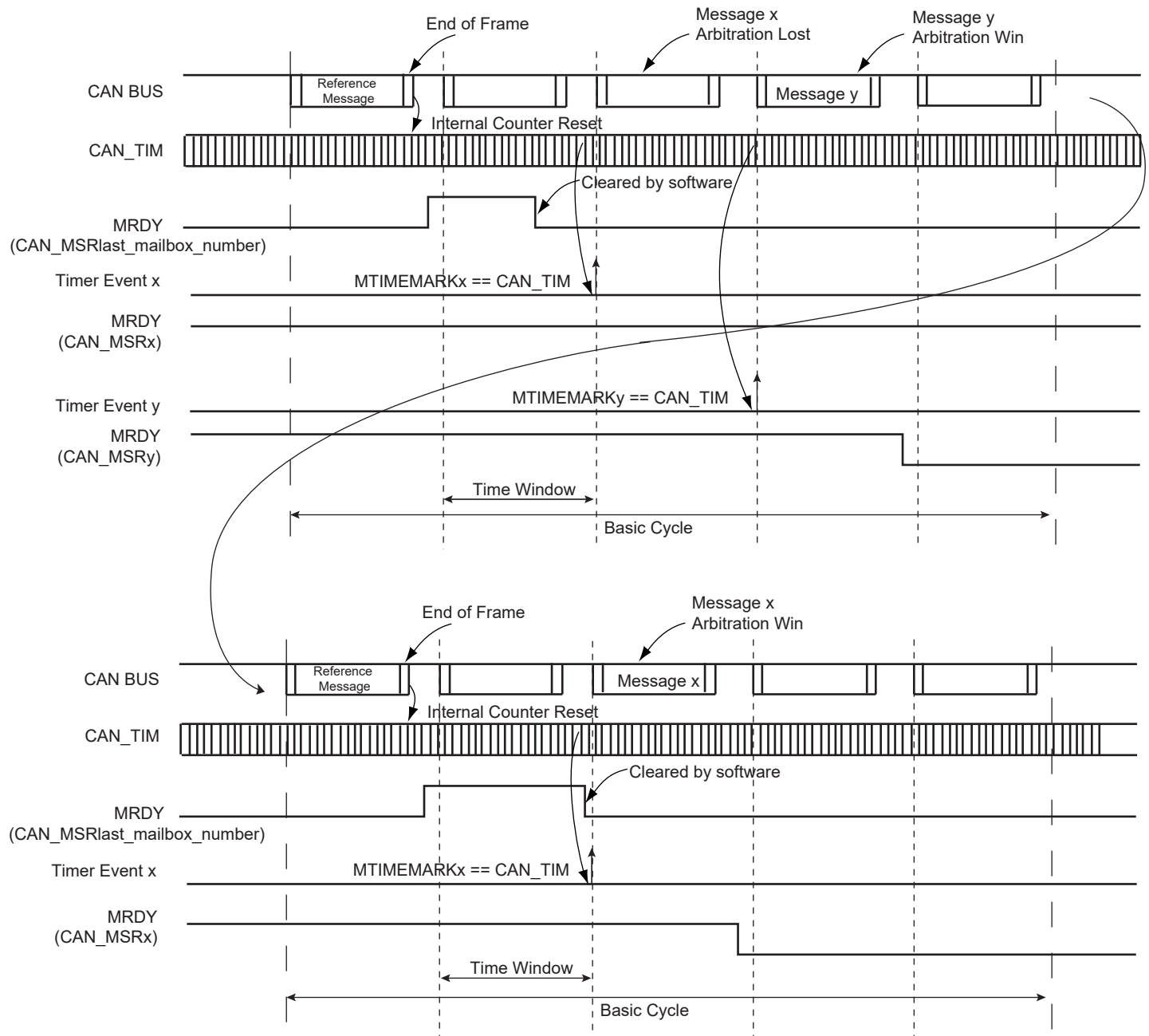
SAMA5D3 SERIES

If the transmit operation is failed, i.e., the message loses the bus arbitration and the next transmit attempt is delayed until the next internal time trigger event. This prevents overlapping the next time window, but the message is still pending and is retried in the next time window when CAN_TIM value equals the MTIMEMARK value. It is also possible to prevent a retry by setting the DRPT field in the CAN_MR.

- Freezing the Internal Timer Counter

The internal counter can be frozen by setting TIMFRZ in the CAN_MR. This prevents an unexpected roll-over when the counter reaches FFFFh. When this occurs, it automatically freezes until a new reset is issued, either due to a message received in the last mailbox or any other reset counter operations. The TOVF bit in the CAN_SR is set when the counter is frozen. The TOVF bit in the CAN_SR is cleared by reading the CAN_SR. Depending on the corresponding interrupt mask in the CAN_IMR, an interrupt is generated when TOVF is set.

Figure 45-21: Time Triggered Operations



45.8.5 Register Write Protection

To prevent any single software error that may corrupt CAN behavior, the registers listed below can be write-protected by setting the WPEN bit in the [CAN Write Protection Mode Register](#) (CAN_WPMR).

If a write access in a write-protected register is detected, then the WPVS flag in the [CAN Write Protection Status Register](#) (CAN_WPSR) is set and the field WPVSRC indicates in which register the write access has been attempted.

The WPVS flag is automatically reset after reading the CAN_WPSR.

The following registers can be write-protected:

- [CAN Mode Register](#)
- [CAN Baudrate Register](#)
- [CAN Message Mode Register](#)
- [CAN Message Acceptance Mask Register](#)
- [CAN Message ID Register](#)

SAMA5D3 SERIES

45.9 Controller Area Network (CAN) User Interface

Table 45-6: Register Mapping

Offset	Register	Name	Access	Reset
0x0000	Mode Register	CAN_MR	Read/Write	0x0
0x0004	Interrupt Enable Register	CAN_IER	Write-only	–
0x0008	Interrupt Disable Register	CAN_IDR	Write-only	–
0x000C	Interrupt Mask Register	CAN_IMR	Read-only	0x0
0x0010	Status Register	CAN_SR	Read-only	0x0
0x0014	Baudrate Register	CAN_BR	Read/Write	0x0
0x0018	Timer Register	CAN_TIM	Read-only	0x0
0x001C	Timestamp Register	CAN_TIMESTP	Read-only	0x0
0x0020	Error Counter Register	CAN_ECR	Read-only	0x0
0x0024	Transfer Command Register	CAN_TCR	Write-only	–
0x0028	Abort Command Register	CAN_ACR	Write-only	–
0x002C–x00E0	Reserved	–	–	–
0x00E4	Write Protection Mode Register	CAN_WPMR	Read/Write	0x0
0x00E8	Write Protection Status Register	CAN_WPSR	Read-only	0x0
0x00EC–0x01FC	Reserved	–	–	–
0x0200 + MB * 0x20 + 0x00	Mailbox Mode Register ⁽¹⁾	CAN_MMR	Read/Write	0x0
0x0200 + MB * 0x20 + 0x04	Mailbox Acceptance Mask Register	CAN_MAM	Read/Write	0x0
0x0200 + MB * 0x20 + 0x08	Mailbox ID Register	CAN_MID	Read/Write	0x0
0x0200 + MB * 0x20 + 0x0C	Mailbox Family ID Register	CAN_MFID	Read-only	0x0
0x0200 + MB * 0x20 + 0x10	Mailbox Status Register	CAN_MSR	Read-only	0x0
0x0200 + MB * 0x20 + 0x14	Mailbox Data Low Register	CAN_MDL	Read/Write	0x0
0x0200 + MB * 0x20 + 0x18	Mailbox Data High Register	CAN_MDH	Read/Write	0x0
0x0200 + MB * 0x20 + 0x1C	Mailbox Control Register	CAN_MCR	Write-only	–

Note 1: Mailbox number ranges from 0 to 7.

45.9.1 CAN Mode Register

Name:CAN_MR

Address:0xF000C000 (0), 0xF8010000 (1)

Access:Read/Write

31	30	29	28	27	26	25	24
–	–	–	–	–	–	–	–
23	22	21	20	19	18	17	16
–	–	–	–	–	–	–	–
15	14	13	12	11	10	9	8
–	–	–	–	–	–	–	–
7	6	5	4	3	2	1	0
DRPT	TIMFRZ	TTM	TEOF	OVL	ABM	LPM	CANEN

This register can only be written if the WPEN bit is cleared in the [CAN Write Protection Mode Register](#).

CANEN: CAN Controller Enable

0: The CAN Controller is disabled.

1: The CAN Controller is enabled.

LPM: Disable/Enable Low-power Mode

0: Disable Low-power mode.

1: Enable Low-power mode.

CAN controller enters Low-power mode once all pending messages have been transmitted.

ABM: Disable/Enable Autobaud/Listen mode

0: Disable Autobaud/listen mode.

1: Enable Autobaud/listen mode.

OVL: Disable/Enable Overload Frame

0: No overload frame is generated.

1: An overload frame is generated after each successful reception for mailboxes configured in Receive with/without overwrite Mode, Producer and Consumer.

TEOF: Timestamp messages at each end of Frame

0: The value of CAN_TIM is captured in the CAN_TIMESTP register at each Start Of Frame.

1: The value of CAN_TIM is captured in the CAN_TIMESTP register at each End Of Frame.

TTM: Disable/Enable Time Triggered Mode

0: Time Triggered Mode is disabled.

1: Time Triggered Mode is enabled.

TIMFRZ: Enable Timer Freeze

0: The internal timer continues to be incremented after it reached 0xFFFF.

1: The internal timer stops incrementing after reaching 0xFFFF. It is restarted after a timer reset. See [Freezing the Internal Timer Counter](#).

DRPT: Disable Repeat

0: When a transmit mailbox loses the bus arbitration, the transfer request remains pending.

1: When a transmit mailbox loses the bus arbitration, the transfer request is automatically aborted. It automatically raises the MABT and MRDT flags in the corresponding CAN_MSRx.

SAMA5D3 SERIES

45.9.2 CAN Interrupt Enable Register

Name: CAN_IER

Address: 0xF000C004 (0), 0xF8010004 (1)

Access: Write-only

31	30	29	28	27	26	25	24
–	–	–	BERR	FERR	AERR	SERR	CERR
23	22	21	20	19	18	17	16
TSTP	TOVF	WAKEUP	SLEEP	BOFF	ERRP	WARN	ERRA
15	14	13	12	11	10	9	8
–	–	–	–	–	–	–	–
7	6	5	4	3	2	1	0
MB7	MB6	MB5	MB4	MB3	MB2	MB1	MB0

MBx: Mailbox x Interrupt Enable

0: No effect.

1: Enable Mailbox x interrupt.

ERRA: Error Active Mode Interrupt Enable

0: No effect.

1: Enable ERRA interrupt.

WARN: Warning Limit Interrupt Enable

0: No effect.

1: Enable WARN interrupt.

ERRP: Error Passive Mode Interrupt Enable

0: No effect.

1: Enable ERRP interrupt.

BOFF: Bus Off Mode Interrupt Enable

0: No effect.

1: Enable BOFF interrupt.

SLEEP: Sleep Interrupt Enable

0: No effect.

1: Enable SLEEP interrupt.

WAKEUP: Wakeup Interrupt Enable

0: No effect.

1: Enable SLEEP interrupt.

TOVF: Timer Overflow Interrupt Enable

0: No effect.

1: Enable TOVF interrupt.

TSTP: TimeStamp Interrupt Enable

0: No effect.

1: Enable TSTP interrupt.

CERR: CRC Error Interrupt Enable

0: No effect.

1: Enable CRC Error interrupt.

SERR: Stuffing Error Interrupt Enable

0: No effect.

1: Enable Stuffing Error interrupt.

AERR: Acknowledgment Error Interrupt Enable

0: No effect.

1: Enable Acknowledgment Error interrupt.

FERR: Form Error Interrupt Enable

0: No effect.

1: Enable Form Error interrupt.

BERR: Bit Error Interrupt Enable

0: No effect.

1: Enable Bit Error interrupt.

SAMA5D3 SERIES

45.9.3 CAN Interrupt Disable Register

Name: CAN_IDR

Address: 0xF000C008 (0), 0xF8010008 (1)

Access: Write-only

31	30	29	28	27	26	25	24
–	–	–	BERR	FERR	AERR	SERR	CERR
23	22	21	20	19	18	17	16
TSTP	TOVF	WAKEUP	SLEEP	BOFF	ERRP	WARN	ERRA
15	14	13	12	11	10	9	8
–	–	–	–	–	–	–	–
7	6	5	4	3	2	1	0
MB7	MB6	MB5	MB4	MB3	MB2	MB1	MB0

MBx: Mailbox x Interrupt Disable

0: No effect.

1: Disable Mailbox x interrupt.

ERRA: Error Active Mode Interrupt Disable

0: No effect.

1: Disable ERRA interrupt.

WARN: Warning Limit Interrupt Disable

0: No effect.

1: Disable WARN interrupt.

ERRP: Error Passive Mode Interrupt Disable

0: No effect.

1: Disable ERRP interrupt.

BOFF: Bus Off Mode Interrupt Disable

0: No effect.

1: Disable BOFF interrupt.

SLEEP: Sleep Interrupt Disable

0: No effect.

1: Disable SLEEP interrupt.

WAKEUP: Wakeup Interrupt Disable

0: No effect.

1: Disable WAKEUP interrupt.

TOVF: Timer Overflow Interrupt

0: No effect.

1: Disable TOVF interrupt.

TSTP: TimeStamp Interrupt Disable

0: No effect.

1: Disable TSTP interrupt.

CERR: CRC Error Interrupt Disable

0: No effect.

1: Disable CRC Error interrupt.

SERR: Stuffing Error Interrupt Disable

0: No effect.

1: Disable Stuffing Error interrupt.

AERR: Acknowledgment Error Interrupt Disable

0: No effect.

1: Disable Acknowledgment Error interrupt.

FERR: Form Error Interrupt Disable

0: No effect.

1: Disable Form Error interrupt.

BERR: Bit Error Interrupt Disable

0: No effect.

1: Disable Bit Error interrupt.

SAMA5D3 SERIES

45.9.4 CAN Interrupt Mask Register

Name: CAN_IMR

Address: 0xF000C00C (0), 0xF801000C (1)

Access: Read-only

31	30	29	28	27	26	25	24
–	–	–	BERR	FERR	AERR	SERR	CERR
23	22	21	20	19	18	17	16
TSTP	TOVF	WAKEUP	SLEEP	BOFF	ERRP	WARN	ERRA
15	14	13	12	11	10	9	8
–	–	–	–	–	–	–	–
7	6	5	4	3	2	1	0
MB7	MB6	MB5	MB4	MB3	MB2	MB1	MB0

MBx: Mailbox x Interrupt Mask

0: Mailbox x interrupt is disabled.

1: Mailbox x interrupt is enabled.

ERRA: Error Active Mode Interrupt Mask

0: ERRA interrupt is disabled.

1: ERRA interrupt is enabled.

WARN: Warning Limit Interrupt Mask

0: Warning Limit interrupt is disabled.

1: Warning Limit interrupt is enabled.

ERRP: Error Passive Mode Interrupt Mask

0: ERRP interrupt is disabled.

1: ERRP interrupt is enabled.

BOFF: Bus Off Mode Interrupt Mask

0: BOFF interrupt is disabled.

1: BOFF interrupt is enabled.

SLEEP: Sleep Interrupt Mask

0: SLEEP interrupt is disabled.

1: SLEEP interrupt is enabled.

WAKEUP: Wakeup Interrupt Mask

0: WAKEUP interrupt is disabled.

1: WAKEUP interrupt is enabled.

TOVF: Timer Overflow Interrupt Mask

0: TOVF interrupt is disabled.

1: TOVF interrupt is enabled.

TSTP: Timestamp Interrupt Mask

0: TSTP interrupt is disabled.

1: TSTP interrupt is enabled.

CERR: CRC Error Interrupt Mask

0: CRC Error interrupt is disabled.

1: CRC Error interrupt is enabled.

SERR: Stuffing Error Interrupt Mask

0: Bit Stuffing Error interrupt is disabled.

1: Bit Stuffing Error interrupt is enabled.

AERR: Acknowledgment Error Interrupt Mask

0: Acknowledgment Error interrupt is disabled.

1: Acknowledgment Error interrupt is enabled.

FERR: Form Error Interrupt Mask

0: Form Error interrupt is disabled.

1: Form Error interrupt is enabled.

BERR: Bit Error Interrupt Mask

0: Bit Error interrupt is disabled.

1: Bit Error interrupt is enabled.

SAMA5D3 SERIES

45.9.5 CAN Status Register

Name: CAN_SR

Address: 0xF000C010 (0), 0xF8010010 (1)

Access: Read-only

31	30	29	28	27	26	25	24
OVLSY	TBSY	RBSY	BERR	FERR	AERR	SERR	CERR
23	22	21	20	19	18	17	16
TSTP	TOVF	WAKEUP	SLEEP	BOFF	ERRP	WARN	ERRA
15	14	13	12	11	10	9	8
–	–	–	–	–	–	–	–
7	6	5	4	3	2	1	0
MB7	MB6	MB5	MB4	MB3	MB2	MB1	MB0

MBx: Mailbox x Event

0: No event occurred on Mailbox x.

1: An event occurred on Mailbox x.

An event corresponds to MRDY, MABT bits in the CAN_MSRx.

ERRA: Error Active Mode (automatically cleared by reading CAN_SR)

0: CAN controller has not reached Error Active Mode since the last read of CAN_SR.

1: CAN controller has reached Error Active Mode since the last read of CAN_SR.

This flag is set depending on TEC and REC counter values. It is set when a node is neither in Error Passive Mode nor in Bus Off Mode.

WARN: Warning Limit (automatically cleared by reading CAN_SR)

0: CAN controller Warning Limit has not been reached since the last read of CAN_SR.

1: CAN controller Warning Limit has been reached since the last read of CAN_SR.

This flag is set depending on TEC and REC counter values. It is set when at least one of the counter values has reached a value greater or equal to 96.

ERRP: Error Passive Mode (automatically cleared by reading CAN_SR)

0: CAN controller has not reached Error Passive Mode since the last read of CAN_SR.

1: CAN controller has reached Error Passive Mode since the last read of CAN_SR.

This flag is set depending on TEC and REC counters values.

A node is in error passive state when TEC counter is greater or equal to 128 (decimal) or when the REC counter is greater or equal to 128 (decimal).

BOFF: Bus Off Mode (automatically cleared by reading CAN_SR)

0: CAN controller has not reached Bus Off Mode.

1: CAN controller has reached Bus Off Mode since the last read of CAN_SR.

This flag is set depending on TEC counter value. A node is in bus off state when TEC counter is greater or equal to 256 (decimal).

SLEEP: CAN Controller in Low-power Mode

0: CAN controller is not in Low-power mode.

1: CAN controller is in Low-power mode.

This flag is automatically reset when Low-power mode is disabled.

WAKEUP: CAN Controller is not in Low-power Mode

0: CAN controller is in Low-power mode.

1: CAN controller is not in Low-power mode.

When a WAKEUP event occurs, the CAN controller is synchronized with the bus activity. Messages can be transmitted or received. The CAN controller clock must be available when a WAKEUP event occurs. This flag is automatically reset when the CAN Controller enters Low-power mode.

TOVF: Timer Overflow (automatically cleared by reading CAN_SR)

0: The timer has not rolled-over FFFFh to 0000h.

1: The timer rolls-over FFFFh to 0000h.

TSTP: Timestamp (automatically cleared by reading CAN_SR)

0: No bus activity has been detected.

1: A start of frame or an end of frame has been detected (according to the TEOF field in the CAN_MR).

CERR: Mailbox CRC Error (automatically cleared by reading CAN_SR)

0: No CRC error occurred during a previous transfer.

1: A CRC error occurred during a previous transfer.

A CRC error has been detected during last reception.

SERR: Mailbox Stuffing Error (automatically cleared by reading CAN_SR)

0: No stuffing error occurred during a previous transfer.

1: A stuffing error occurred during a previous transfer.

A form error results from the detection of more than five consecutive bit with the same polarity.

AERR: Acknowledgment Error (automatically cleared by reading CAN_SR)

0: No acknowledgment error occurred during a previous transfer.

1: An acknowledgment error occurred during a previous transfer.

An acknowledgment error is detected when no detection of the dominant bit in the acknowledge slot occurs.

FERR: Form Error (automatically cleared by reading CAN_SR)

0: No form error occurred during a previous transfer

1: A form error occurred during a previous transfer

A form error results from violations on one or more of the fixed form of the following bit fields:

- CRC delimiter
- ACK delimiter
- End of frame
- Error delimiter
- Overload delimiter

BERR: Bit Error (automatically cleared by reading CAN_SR)

0: No bit error occurred during a previous transfer.

1: A bit error occurred during a previous transfer.

A bit error is set when the bit value monitored on the line is different from the bit value sent.

RBSY: Receiver busy

0: CAN receiver is not receiving a frame.

1: CAN receiver is receiving a frame.

Receiver busy. This status bit is set by hardware while CAN receiver is acquiring or monitoring a frame (remote, data, overload or error frame). It is automatically reset when CAN is not receiving.

SAMA5D3 SERIES

TBSY: Transmitter busy

0: CAN transmitter is not transmitting a frame.

1: CAN transmitter is transmitting a frame.

Transmitter busy. This status bit is set by hardware while CAN transmitter is generating a frame (remote, data, overload or error frame). It is automatically reset when CAN is not transmitting.

OVLSY: Overload busy

0: CAN transmitter is not transmitting an overload frame.

1: CAN transmitter is transmitting a overload frame.

It is automatically reset when the bus is not transmitting an overload frame.

45.9.6 CAN Baudrate Register

Name:CAN_BR

Address:0xF000C014 (0), 0xF8010014 (1)

Access:Read/Write

31	30	29	28	27	26	25	24
–	–	–	–	–	–	–	SMP
23	22	21	20	19	18	17	16
–	BRP						
15	14	13	12	11	10	9	8
–	–	SJW		–	PROPAG		
7	6	5	4	3	2	1	0
–	PHASE1			–	PHASE2		

This register can only be written if the WPEN bit is cleared in the [CAN Write Protection Mode Register](#).

Any modification on one of the fields of the CAN_BR must be done while CAN module is disabled.

To compute the different bit timings, refer to the [Section 45.7.4.1 CAN Bit Timing Configuration](#).

PHASE2: Phase 2 Segment

This phase is used to compensate the edge phase error.

$$t_{PHS2} = t_{CSC} \times (PHASE2 + 1)$$

Warning: PHASE2 value must be different from 0.

PHASE1: Phase 1 Segment

This phase is used to compensate for edge phase error.

$$t_{PHS1} = t_{CSC} \times (PHASE1 + 1)$$

PROPAG: Programming Time Segment

This part of the bit time is used to compensate for the physical delay times within the network.

$$t_{PRS} = t_{CSC} \times (PROPAG + 1)$$

SJW: Re-synchronization Jump Width

To compensate for phase shifts between clock oscillators of different controllers on bus. The controller must re-synchronize on any relevant signal edge of the current transmission. The synchronization jump width defines the maximum of clock cycles a bit period may be shortened or lengthened by re-synchronization.

$$t_{SJW} = t_{CSC} \times (SJW + 1)$$

BRP: Baudrate Prescaler

This field allows user to program the period of the CAN system clock to determine the individual bit timing.

$$t_{CSC} = (BRP + 1) / t_{\text{peripheral clock}}$$

The BRP field must be within the range [1, 0x7F], i.e., BRP = 0 is not authorized.

SMP: Sampling Mode

0 (ONCE): The incoming bit stream is sampled once at sample point.

1 (THREE): The incoming bit stream is sampled three times with a period of a peripheral clock, centered on sample point.

SMP Sampling Mode is automatically disabled if BRP = 0.

SAMA5D3 SERIES

45.9.7 CAN Timer Register

Name:CAN_TIM

Address:0xF000C018 (0), 0xF8010018 (1)

Access:Read-only

31	30	29	28	27	26	25	24
–	–	–	–	–	–	–	–
23	22	21	20	19	18	17	16
–	–	–	–	–	–	–	–
15	14	13	12	11	10	9	8
TIMER							
7	6	5	4	3	2	1	0
TIMER							

TIMER: Timer

This field represents the internal CAN controller 16-bit timer value.

45.9.8 CAN Timestamp Register

Name:CAN_TIMESTP

Address:0xF000C01C (0), 0xF801001C (1)

Access:Read-only

31	30	29	28	27	26	25	24
–	–	–	–	–	–	–	–
23	22	21	20	19	18	17	16
–	–	–	–	–	–	–	–
15	14	13	12	11	10	9	8
MTIMESTAMP							
7	6	5	4	3	2	1	0
MTIMESTAMP							

MTIMESTAMP: Timestamp

This field carries the value of the internal CAN controller 16-bit timer value at the start or end of frame.

If the TEOF bit is cleared in the CAN_MR, the internal Timer Counter value is captured in the MTIMESTAMP field at each start of frame else the value is captured at each end of frame. When the value is captured, the TSTP flag is set in the CAN_SR. If the TSTP mask in the CAN_IMR is set, an interrupt is generated while TSTP flag is set in the CAN_SR. The TSTP flag is cleared by reading the CAN_SR.

Note: The CAN_TIMESTP register is reset when the CAN is disabled then enabled via the CANEN bit in the CAN_MR.

SAMA5D3 SERIES

45.9.9 CAN Error Counter Register

Name: CAN_ECR

Address: 0xF000C020 (0), 0xF8010020 (1)

Access: Read-only

31	30	29	28	27	26	25	24
–	–	–	–	–	–	–	TEC
23	22	21	20	19	18	17	16
TEC							
15	14	13	12	11	10	9	8
–	–	–	–	–	–	–	–
7	6	5	4	3	2	1	0
REC							

REC: Receive Error Counter

When a receiver detects an error, REC will be increased by one, except when the detected error is a BIT ERROR while sending an ACTIVE ERROR FLAG or an OVERLOAD FLAG.

When a receiver detects a dominant bit as the first bit after sending an ERROR FLAG, REC is increased by 8.

When a receiver detects a BIT ERROR while sending an ACTIVE ERROR FLAG, REC is increased by 8.

Any node tolerates up to 7 consecutive dominant bits after sending an ACTIVE ERROR FLAG, PASSIVE ERROR FLAG or OVERLOAD FLAG. After detecting the 14th consecutive dominant bit (in case of an ACTIVE ERROR FLAG or an OVERLOAD FLAG) or after detecting the 8th consecutive dominant bit following a PASSIVE ERROR FLAG, and after each sequence of additional eight consecutive dominant bits, each receiver increases its REC by 8.

After successful reception of a message, REC is decreased by 1 if it was between 1 and 127. If REC was 0, it stays 0, and if it was greater than 127, then it is set to a value between 119 and 127.

TEC: Transmit Error Counter

When a transmitter sends an ERROR FLAG, TEC is increased by 8 except when

- the transmitter is error passive and detects an ACKNOWLEDGMENT ERROR because of not detecting a dominant ACK and does not detect a dominant bit while sending its PASSIVE ERROR FLAG.
- the transmitter sends an ERROR FLAG because a STUFF ERROR occurred during arbitration and should have been recessive and has been sent as recessive but monitored as dominant.

When a transmitter detects a BIT ERROR while sending an ACTIVE ERROR FLAG or an OVERLOAD FLAG, the TEC will be increased by 8.

Any node tolerates up to 7 consecutive dominant bits after sending an ACTIVE ERROR FLAG, PASSIVE ERROR FLAG or OVERLOAD FLAG. After detecting the 14th consecutive dominant bit (in case of an ACTIVE ERROR FLAG or an OVERLOAD FLAG) or after detecting the 8th consecutive dominant bit following a PASSIVE ERROR FLAG, and after each sequence of additional eight consecutive dominant bits every transmitter increases its TEC by 8.

After a successful transmission the TEC is decreased by 1 unless it was already 0.

45.9.10 CAN Transfer Command Register

Name:CAN_TCR

Address:0xF000C024 (0), 0xF8010024 (1)

Access:Write-only

31	30	29	28	27	26	25	24
TIMRST	–	–	–	–	–	–	–
23	22	21	20	19	18	17	16
–	–	–	–	–	–	–	–
15	14	13	12	11	10	9	8
–	–	–	–	–	–	–	–
7	6	5	4	3	2	1	0
MB7	MB6	MB5	MB4	MB3	MB2	MB1	MB0

This register initializes several transfer requests at the same time.

MBx: Transfer Request for Mailbox x

Mailbox Object Type	Description
Receive	It receives the next message.
Receive with overwrite	This triggers a new reception.
Transmit	Sends data prepared in the mailbox as soon as possible.
Consumer	Sends a remote frame.
Producer	Sends data prepared in the mailbox after receiving a remote frame from a consumer.

This flag clears the MRDY and MABT flags in the corresponding CAN_MSRx.

When several mailboxes are requested to be transmitted simultaneously, they are transmitted in turn, starting with the mailbox with the highest priority. If several mailboxes have the same priority, then the mailbox with the lowest number is sent first (i.e., MB0 will be transferred before MB1).

TIMRST: Timer Reset

Resets the internal timer counter. If the internal timer counter is frozen, this command automatically re-enables it. This command is useful in Time Triggered mode.

SAMA5D3 SERIES

45.9.11 CAN Abort Command Register

Name: CAN_ACR

Address: 0xF000C028 (0), 0xF8010028 (1)

Access: Write-only

31	30	29	28	27	26	25	24
–	–	–	–	–	–	–	–
23	22	21	20	19	18	17	16
–	–	–	–	–	–	–	–
15	14	13	12	11	10	9	8
–	–	–	–	–	–	–	–
7	6	5	4	3	2	1	0
MB7	MB6	MB5	MB4	MB3	MB2	MB1	MB0

This register initializes several abort requests at the same time.

MBx: Abort Request for Mailbox x

Mailbox Object Type	Description
Receive	No action
Receive with overwrite	No action
Transmit	Cancels transfer request if the message has not been transmitted to the CAN transceiver.
Consumer	Cancels the current transfer before the remote frame has been sent.
Producer	Cancels the current transfer. The next remote frame is not serviced.

It is possible to set the MACR field (in the CAN_MCRx) for each mailbox.

45.9.12 CAN Write Protection Mode Register

Name:CAN_WPMR

Address:0xF000C0E4 (0), 0xF80100E4 (1)

Access:Read/Write

31	30	29	28	27	26	25	24
WPKEY							
23	22	21	20	19	18	17	16
WPKEY							
15	14	13	12	11	10	9	8
WPKEY							
7	6	5	4	3	2	1	0
–	–	–	–	–	–	–	WPEN

WPEN: Write Protection Enable

0: Disables the write protection if WPKEY corresponds to 0x43414E (“CAN” written in ASCII)

1: Enables the write protection if WPKEY corresponds to 0x43414E (“CAN” written in ASCII)

See [Section 45.8.5 Register Write Protection](#) for the list of registers that can be write-protected.

WPKEY: Write Protection Key Password

Value	Name	Description
0x43414E	PASSWD	Writing any other value in this field aborts the write operation of the WPEN bit. Always reads as 0

SAMA5D3 SERIES

45.9.13 CAN Write Protection Status Register

Name:CAN_WPSR

Address:0xF000C0E8 (0), 0xF80100E8 (1)

Access:Read-only

31	30	29	28	27	26	25	24
–	–	–	–	–	–	–	–
23	22	21	20	19	18	17	16
–	–	–	–	–	–	–	–
15	14	13	12	11	10	9	8
WPVSR							
7	6	5	4	3	2	1	0
–	–	–	–	–	–	–	WPVS

WPVS: Write Protection Violation Status

0: No write protection violation has occurred since the last read of the CAN_WPSR.

1: A write protection violation has occurred since the last read of the CAN_WPSR. If this violation is an unauthorized attempt to write a protected register, the associated violation is reported into field WPVSR.

WPVSR: Write Protection Violation Source

When WPVS = 1, WPVSR indicates the register address offset at which a write access has been attempted.

45.9.14 CAN Message Mode Register

Name: CAN_MMRx [x=0..7]

Address: 0xF000C200 (0)[0], 0xF000C220 (0)[1], 0xF000C240 (0)[2], 0xF000C260 (0)[3], 0xF000C280 (0)[4], 0xF000C2A0 (0)[5], 0xF000C2C0 (0)[6], 0xF000C2E0 (0)[7], 0xF8010200 (1)[0], 0xF8010220 (1)[1], 0xF8010240 (1)[2], 0xF8010260 (1)[3], 0xF8010280 (1)[4], 0xF80102A0 (1)[5], 0xF80102C0 (1)[6], 0xF80102E0 (1)[7]

Access: Read/Write

31	30	29	28	27	26	25	24	
–	–	–	–	–	MOT			
23	22	21	20	19	18	17	16	
–	–	–	–	PRIOR				8
15	14	13	12	11	10	9	8	
MTIMEMARK								
7	6	5	4	3	2	1	0	
MTIMEMARK								

This register can only be written if the WPEN bit is cleared in the [CAN Write Protection Mode Register](#).

MTIMEMARK: Mailbox Timemark

This field is active in Time Triggered Mode. Transmit operations are allowed when the internal timer counter reaches the Mailbox Timemark. See [Transmitting within a Time Window](#).

In Timestamp Mode, MTIMEMARK is set to 0.

PRIOR: Mailbox Priority

This field has no effect in receive and receive with overwrite modes. In these modes, the mailbox with the lowest number is serviced first.

When several mailboxes try to transmit a message at the same time, the mailbox with the highest priority is serviced first. If several mailboxes have the same priority, the mailbox with the lowest number is serviced first (i.e., MBx0 is serviced before MBx 15 if they have the same priority).

MOT: Mailbox Object Type

This field allows the user to define the type of the mailbox. All mailboxes are independently configurable. Five different types are possible for each mailbox.

Value	Name	Description
0	MB_DISABLED	Mailbox is disabled. This prevents receiving or transmitting any messages with this mailbox.
1	MB_RX	Reception Mailbox. Mailbox is configured for reception. If a message is received while the mailbox data register is full, it is discarded.
2	MB_RX_OVERWRITE	Reception mailbox with overwrite. Mailbox is configured for reception. If a message is received while the mailbox is full, it overwrites the previous message.
3	MB_TX	Transmit mailbox. Mailbox is configured for transmission.
4	MB_CONSUMER	Consumer Mailbox. Mailbox is configured in reception but behaves as a Transmit Mailbox, i.e., it sends a remote frame and waits for an answer.
5	MB_PRODUCER	Producer Mailbox. Mailbox is configured in transmission but also behaves like a reception mailbox, i.e., it waits to receive a Remote Frame before sending its contents.
6	–	Reserved

SAMA5D3 SERIES

45.9.15 CAN Message Acceptance Mask Register

Name:CAN_MAMx [x=0..7]

Address:0xF000C204 (0)[0], 0xF000C224 (0)[1], 0xF000C244 (0)[2], 0xF000C264 (0)[3], 0xF000C284 (0)[4], 0xF000C2A4 (0)[5], 0xF000C2C4 (0)[6], 0xF000C2E4 (0)[7], 0xF8010204 (1)[0], 0xF8010224 (1)[1], 0xF8010244 (1)[2], 0xF8010264 (1)[3], 0xF8010284 (1)[4], 0xF80102A4 (1)[5], 0xF80102C4 (1)[6], 0xF80102E4 (1)[7]

Access:Read/Write

31	30	29	28	27	26	25	24
–	–	MIDE			MIDvA		
23	22	21	20	19	18	17	16
					MIDvA		MIDvB
15	14	13	12	11	10	9	8
					MIDvB		
7	6	5	4	3	2	1	0
					MIDvB		

This register can only be written if the WPEN bit is cleared in the [CAN Write Protection Mode Register](#).

To prevent concurrent access with the internal CAN core, the application must disable the mailbox before writing to CAN_MAMx registers.

MIDvB: Complementary bits for identifier in extended frame mode

Acceptance mask for corresponding field of the message IDvB register of the mailbox.

0: The corresponding message ID bit is not masked

1: The corresponding message ID bit is masked

MIDvA: Identifier for standard frame mode

Acceptance mask for corresponding field of the message IDvA register of the mailbox.

0: The corresponding message ID bit is not masked

1: The corresponding message ID bit is masked

MIDE: Identifier Version

0: Compares IDvA from the received frame with the CAN_MIDx register masked with CAN_MAMx register.

1: Compares IDvA and IDvB from the received frame with the CAN_MIDx register masked with CAN_MAMx register.

45.9.16 CAN Message ID Register

Name: CAN_MIDx [x=0..7]

Address: 0xF000C208 (0)[0], 0xF000C228 (0)[1], 0xF000C248 (0)[2], 0xF000C268 (0)[3], 0xF000C288 (0)[4], 0xF000C2A8 (0)[5], 0xF000C2C8 (0)[6], 0xF000C2E8 (0)[7], 0xF8010208 (1)[0], 0xF8010228 (1)[1], 0xF8010248 (1)[2], 0xF8010268 (1)[3], 0xF8010288 (1)[4], 0xF80102A8 (1)[5], 0xF80102C8 (1)[6], 0xF80102E8 (1)[7]

Access: Read/Write

31	30	29	28	27	26	25	24
–	–	MIDE	MIDvA				
23	22	21	20	19	18	17	16
MIDvA						MIDvB	
15	14	13	12	11	10	9	8
MIDvB							
7	6	5	4	3	2	1	0
MIDvB							

This register can only be written if the WPEN bit is cleared in the [CAN Write Protection Mode Register](#).

To prevent concurrent access with the internal CAN core, the application must disable the mailbox before writing to CAN_MIDx registers.

MIDvB: Complementary bits for identifier in extended frame mode

If MIDE is cleared, MIDvB value is 0.

MIDE: Identifier Version

This bit allows the user to define the version of messages processed by the mailbox. If set, mailbox is dealing with version 2.0 Part B messages; otherwise, mailbox is dealing with version 2.0 Part A messages.

MIDvA: Identifier for standard frame mode

SAMA5D3 SERIES

45.9.17 CAN Message Family ID Register

Name:CAN_MFIDx [x=0..7]

Address:0xF000C20C (0)[0], 0xF000C22C (0)[1], 0xF000C24C (0)[2], 0xF000C26C (0)[3], 0xF000C28C (0)[4], 0xF000C2AC (0)[5], 0xF000C2CC (0)[6], 0xF000C2EC (0)[7], 0xF801020C (1)[0], 0xF801022C (1)[1], 0xF801024C (1)[2], 0xF801026C (1)[3], 0xF801028C (1)[4], 0xF80102AC (1)[5], 0xF80102CC (1)[6], 0xF80102EC (1)[7]

Access:Read-only

31	30	29	28	27	26	25	24
–	–	–	MFID				
23	22	21	20	19	18	17	16
MFID							
15	14	13	12	11	10	9	8
MFID							
7	6	5	4	3	2	1	0
MFID							

MFID: Family ID

This field contains the concatenation of CAN_MIDx register bits masked by the CAN_MAMx register. This field is useful to speed up message ID decoding. The message acceptance procedure is described below.

As an example:

```
CAN_MIDx = 0x305A4321
CAN_MAMx = 0x3FF0F0FF
CAN_MFIDx = 0x000000A3
```

45.9.18 CAN Message Status Register

Name:CAN_MSRx [x=0..7]

Address:0xF000C210 (0)[0], 0xF000C230 (0)[1], 0xF000C250 (0)[2], 0xF000C270 (0)[3], 0xF000C290 (0)[4], 0xF000C2B0 (0)[5], 0xF000C2D0 (0)[6], 0xF000C2F0 (0)[7], 0xF8010210 (1)[0], 0xF8010230 (1)[1], 0xF8010250 (1)[2], 0xF8010270 (1)[3], 0xF8010290 (1)[4], 0xF80102B0 (1)[5], 0xF80102D0 (1)[6], 0xF80102F0 (1)[7]

Access:Read-only

31	30	29	28	27	26	25	24
–	–	–	–	–	–	–	MMI
23	22	21	20	19	18	17	16
MRDY	MABT	–	MRTR	MDLC			
15	14	13	12	11	10	9	8
MTIMESTAMP							
7	6	5	4	3	2	1	0
MTIMESTAMP							

These register fields are updated each time a message transfer is received or aborted.

Warning: MRTR and MDLC state depends partly on the mailbox object type.

MTIMESTAMP: Timer Value

This field is updated only when time-triggered operations are disabled (TTM cleared in CAN_MR). If the field CAN_MR.TEOF is cleared, TIMESTAMP is the internal timer value at the start of frame of the last message received or sent by the mailbox. If the field CAN_MR.TEOF is set, TIMESTAMP is the internal timer value at the end of frame of the last message received or sent by the mailbox.

In Time Triggered Mode, MTIMESTAMP is set to 0.

MDLC: Mailbox Data Length Code

Mailbox Object Type	Description
Receive	Length of the first mailbox message received
Receive with overwrite	Length of the last mailbox message received
Transmit	No action
Consumer	Length of the mailbox message received
Producer	Length of the mailbox message to be sent after the remote frame reception

MRTR: Mailbox Remote Transmission Request

Mailbox Object Type	Description
Receive	The first frame received has the RTR bit set.
Receive with overwrite	The last frame received has the RTR bit set.
Transmit	Reserved
Consumer	Reserved. After setting the MOT field in the CAN_MMR, MRTR is reset to 1.
Producer	Reserved. After setting the MOT field in the CAN_MMR, MRTR is reset to 0.

SAMA5D3 SERIES

MABT: Mailbox Message Abort (cleared by writing MTCR or MACR in the CAN_MCRx)

An interrupt is triggered when MABT is set.

0: Previous transfer is not aborted.

1: Previous transfer has been aborted.

Mailbox Object Type	Description
Receive	Reserved
Receive with overwrite	Reserved
Transmit	Previous transfer has been aborted
Consumer	The remote frame transfer request has been aborted.
Producer	The response to the remote frame transfer has been aborted.

MRDY: Mailbox Ready (cleared by writing MTCR or MACR in the CAN_MCRx)

An interrupt is triggered when MRDY is set.

0: Mailbox data registers can not be read/written by the software application. CAN_MDx are locked by the CAN_MDx.

1: Mailbox data registers can be read/written by the software application.

Mailbox Object Type	Description
Receive	At least one message has been received since the last mailbox transfer order. Data from the first frame received can be read in the CAN_MDxx registers. After setting the MOT field in the CAN_MMR, MRDY is reset to 0.
Receive with overwrite	At least one frame has been received since the last mailbox transfer order. Data from the last frame received can be read in the CAN_MDxx registers. After setting the MOT field in the CAN_MMR, MRDY is reset to 0.
Transmit	Mailbox data have been transmitted. After setting the MOT field in the CAN_MMR, MRDY is reset to 1.
Consumer	At least one message has been received since the last mailbox transfer order. Data from the first message received can be read in the CAN_MDxx registers. After setting the MOT field in the CAN_MMR, MRDY is reset to 0.
Producer	A remote frame has been received, mailbox data have been transmitted. After setting the MOT field in the CAN_MMR, MRDY is reset to 1.

MMI: Mailbox Message Ignored (cleared by reading CAN_MSRx)

0: No message has been ignored during the previous transfer

1: At least one message has been ignored during the previous transfer

Mailbox Object Type	Description
Receive	Set when at least two messages intended for the mailbox have been sent. The first one is available in the mailbox data register. Others have been ignored. A mailbox with a lower priority may have accepted the message.
Receive with overwrite	Set when at least two messages intended for the mailbox have been sent. The last one is available in the mailbox data register. Previous ones have been lost.
Transmit	Reserved
Consumer	A remote frame has been sent by the mailbox but several messages have been received. The first one is available in the mailbox data register. Others have been ignored. Another mailbox with a lower priority may have accepted the message.
Producer	A remote frame has been received, but no data are available to be sent.

45.9.19 CAN Message Data Low Register

Name:CAN_MDLx [x=0..7]

Address:0xF000C214 (0)[0], 0xF000C234 (0)[1], 0xF000C254 (0)[2], 0xF000C274 (0)[3], 0xF000C294 (0)[4], 0xF000C2B4 (0)[5], 0xF000C2D4 (0)[6], 0xF000C2F4 (0)[7], 0xF8010214 (1)[0], 0xF8010234 (1)[1], 0xF8010254 (1)[2], 0xF8010274 (1)[3], 0xF8010294 (1)[4], 0xF80102B4 (1)[5], 0xF80102D4 (1)[6], 0xF80102F4 (1)[7]

Access:Read/Write

31	30	29	28	27	26	25	24
MDL							
23	22	21	20	19	18	17	16
MDL							
15	14	13	12	11	10	9	8
MDL							
7	6	5	4	3	2	1	0
MDL							

MDL: Message Data Low Value

When MRDY bit is set in the CAN_MSRx, the lower 32 bits of a received message can be read or written by the software application. Otherwise, the MDL value is locked by the CAN controller to send/receive a new message.

In Receive with overwrite, the CAN controller may modify MDL value while the software application reads MDH and MDL registers. To check that MDH and MDL do not belong to different messages, the application has to check the MMI bit in the CAN_MSRx. In this mode, the software application must re-read CAN_MDH and CAN_MDL, while the MMI bit in the CAN_MSRx is set.

Bytes are received/sent on the bus in the following order:

1. CAN_MDL[7:0]
2. CAN_MDL[15:8]
3. CAN_MDL[23:16]
4. CAN_MDL[31:24]
5. CAN_MDH[7:0]
6. CAN_MDH[15:8]
7. CAN_MDH[23:16]
8. CAN_MDH[31:24]

SAMA5D3 SERIES

45.9.20 CAN Message Data High Register

Name:CAN_MDHx [x=0..7]

Address:0xF000C218 (0)[0], 0xF000C238 (0)[1], 0xF000C258 (0)[2], 0xF000C278 (0)[3], 0xF000C298 (0)[4], 0xF000C2B8 (0)[5], 0xF000C2D8 (0)[6], 0xF000C2F8 (0)[7], 0xF8010218 (1)[0], 0xF8010238 (1)[1], 0xF8010258 (1)[2], 0xF8010278 (1)[3], 0xF8010298 (1)[4], 0xF80102B8 (1)[5], 0xF80102D8 (1)[6], 0xF80102F8 (1)[7]

Access:Read/Write

31	30	29	28	27	26	25	24
MDH							
23	22	21	20	19	18	17	16
MDH							
15	14	13	12	11	10	9	8
MDH							
7	6	5	4	3	2	1	0
MDH							

MDH: Message Data High Value

When MRDY bit is set in the CAN_MSRx, the upper 32 bits of a received message are read or written by the software application. Otherwise, the MDH value is locked by the CAN controller to send/receive a new message.

In Receive with overwrite, the CAN controller may modify MDH value while the software application reads MDH and MDL registers. To check that MDH and MDL do not belong to different messages, the application has to check the MMI bit in the CAN_MSRx. In this mode, the software application must re-read CAN_MDH and CAN_MDL, while the MMI bit in the CAN_MSRx is set.

Bytes are received/sent on the bus in the following order:

1. CAN_MDL[7:0]
2. CAN_MDL[15:8]
3. CAN_MDL[23:16]
4. CAN_MDL[31:24]
5. CAN_MDH[7:0]
6. CAN_MDH[15:8]
7. CAN_MDH[23:16]
8. CAN_MDH[31:24]

45.9.21 CAN Message Control Register

Name: CAN_MCRx [x=0..7]

Address: 0xF000C21C (0)[0], 0xF000C23C (0)[1], 0xF000C25C (0)[2], 0xF000C27C (0)[3], 0xF000C29C (0)[4], 0xF000C2BC (0)[5], 0xF000C2DC (0)[6], 0xF000C2FC (0)[7], 0xF801021C (1)[0], 0xF801023C (1)[1], 0xF801025C (1)[2], 0xF801027C (1)[3], 0xF801029C (1)[4], 0xF80102BC (1)[5], 0xF80102DC (1)[6], 0xF80102FC (1)[7]

Access: Write-only

31	30	29	28	27	26	25	24
–	–	–	–	–	–	–	–
23	22	21	20	19	18	17	16
MTCR	MACR	–	MRTR	MDLC			
15	14	13	12	11	10	9	8
–	–	–	–	–	–	–	–
7	6	5	4	3	2	1	0
–	–	–	–	–	–	–	–

MDLC: Mailbox Data Length Code

Mailbox Object Type	Description
Receive	No action.
Receive with overwrite	No action.
Transmit	Length of the mailbox message.
Consumer	No action.
Producer	Length of the mailbox message to be sent after the remote frame reception.

MRTR: Mailbox Remote Transmission Request

Mailbox Object Type	Description
Receive	No action
Receive with overwrite	No action
Transmit	Set the RTR bit in the sent frame
Consumer	No action, the RTR bit in the sent frame is set automatically
Producer	No action

Consumer situations can be handled automatically by setting the mailbox object type in Consumer. This requires only one mailbox.

It can also be handled using two mailboxes, one in reception, the other in transmission. The MRTR and the MTCR bits must be set in the same time.

MACR: Abort Request for Mailbox x

Mailbox Object Type	Description
Receive	No action
Receive with overwrite	No action
Transmit	Cancels transfer request if the message has not been transmitted to the CAN transceiver.
Consumer	Cancels the current transfer before the remote frame has been sent.
Producer	Cancels the current transfer. The next remote frame will not be serviced.

SAMA5D3 SERIES

This flag clears the MRDY and MABT flags in the CAN_MSRx.

It is possible to set the MACR field for several mailboxes in the same time, setting several bits to the CAN_ACR.

MTCR: Mailbox Transfer Command

Mailbox Object Type	Description
Receive	Allows the reception of the next message.
Receive with overwrite	Triggers a new reception.
Transmit	Sends data prepared in the mailbox as soon as possible.
Consumer	Sends a remote transmission frame.
Producer	Sends data prepared in the mailbox after receiving a remote frame from a Consumer.

This flag clears the MRDY and MABT flags in the CAN_MSRx.

When several mailboxes are requested to be transmitted simultaneously, they are transmitted in turn. The mailbox with the highest priority is serviced first. If several mailboxes have the same priority, the mailbox with the lowest number is serviced first (i.e., MBx0 will be serviced before MBx 15 if they have the same priority).

It is possible to set MTCR for several mailboxes at the same time by writing to the CAN_TCR.

46. Software Modem Device (SMD)

46.1 Description

The Software Modem Device (SMD) is a block for communication via a modem's Digital Isolation Barrier (DIB) with a complementary Line Side Device (LSD).

SMD and LSD are two parts of the "Transformer only" solution. The transformer is the only component connecting SMD and LSD and is used for power, clock and data transfers. Power and clock are supplied by the SMD and consumed by the LSD. The data flow is bidirectional. The data transfer is based on pulse width modulation for transmission from the SMD to the LSD, and for receiving from the LSD.

There are two channels embedded into the protocol of the DIB link:

- Data channel
- Control channel

Each channel is bidirectional.

The data channel is used to transfer digitized signal samples at a constant rate of 16 bits at 16 kHz.

The control channel is used to communicate with control registers of the LSD at a maximum rate of 8 bits at 16 kHz.

The SMD performs all protocol-related data conversion for transmission and received data interpretation in both data and control channels of the link.

The SMD incorporates both RX and TX FIFOs, available through the DMAC interface. Each FIFO is able to hold eight 32-bit words (equivalent to 16 modem data samples).

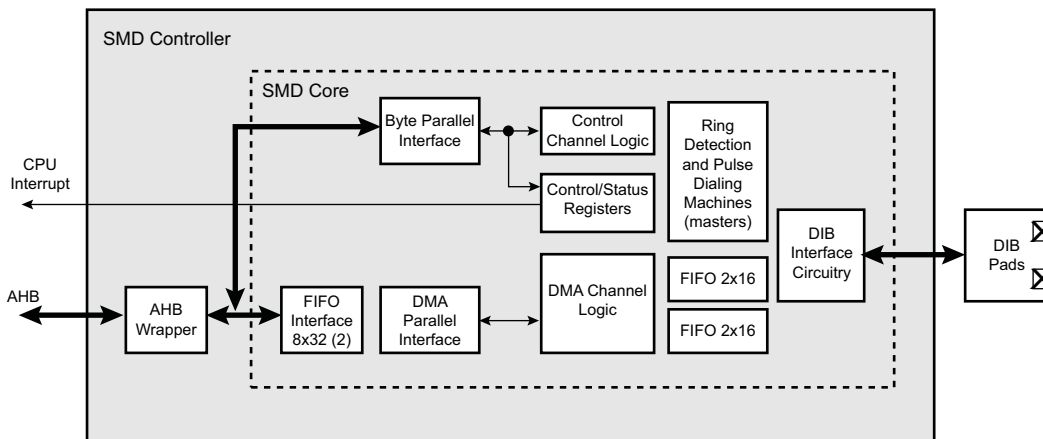
SAMA5D3 SERIES

46.2 Embedded Characteristics

- Modulations and protocols
 - V.90
 - V.34
 - V.32bis, V.32, V.22bis, V.22, V.23, V.21
 - V.23 reverse, V.23 half-duplex
 - Bell 212A/Bell 103
 - V.29 FastPOS
 - V.22bis fast connect
 - V.80 Synchronous Access Mode
- Data compression and error correction
 - V.44 data compression (V.92 model)
 - V.42bis and MNP 5 data compression
 - V.42 LAPM and MNP 2-4 error correction
 - EIA/TIA 578 Class 1 and T.31 Class 1.0
- Call Waiting (CW) detection and Type II Caller ID decoding during data mode
- Type I Caller ID (CID) decoding
- 63 embedded and upgradable country profiles
- Embedded AT commands
- SmartDAA
 - Extension pick-up detection
 - Digital line protection
 - Line reversal detection
 - Line-in-use detection
 - Remote hang-up detection
- Worldwide compliance

46.3 Block Diagram

Figure 46-1: Software Modem Device Block Diagram



46.4 Software Modem Device (SMD) User Interface

The SMD presents a number of registers through the AHB interface for software control and status functions.

Table 46-1: Register Mapping

Offset	Register	Name	Access	Reset
0x0C	SMD Drive Register	SMD_DRIVE	Read/Write	0x00000002

SAMA5D3 SERIES

46.4.1 SMD Drive Register

Name: SMD_DRIVE

Address: 0x0040000C

Access: Read/Write

31	30	29	28	27	26	25	24
–	–	–	–	–	–	–	–
23	22	21	20	19	18	17	16
–	–	–	–	–	–	–	–
15	14	13	12	11	10	9	8
–	–	–	–	–	–	–	–
7	6	5	4	3	2	1	0
PWRCLKP_PCS	PWRCLKN_PCS2		PWRCLKP_PV	PWRCLKP_PV2	DC_PWRCLKPN	MIE	

PWRCLKP_PCS: PWRCLKP Pin Control Select

When DC_PWRCLKPN is a 1, the usage of PWRCLKP_PCS bits for direct control of PWRCLKP pin is enabled as follows:

X1: High impedance on PWRCLKP pin.

00: Drive low on PWRCLKP pin.

10: Drive high on PWRCLKP pin.

When DC_PWRCLKPN is a 0, the protocol logic controls PWRCLKP pin.

If PWRCLKPN_FS bit is a 1, the above information is applied to PWRCLKN pin because of swapping with PWRCLKP.

PWRCLKN_PCS2: PWRCLKN Pin Control Select

When DC_PWRCLKPN is a 1, the usage of PWRCLKN_PCS2 bits for direct control of PWRCLKN pin is enabled as follows:

X1: High impedance on PWRCLKN pin.

00: Drive low on PWRCLKN pin.

10: Drive high on PWRCLKN pin.

When DC_PWRCLKPN is a 0, the protocol logic controls PWRCLKN pin.

If PWRCLKPN_FS bit is a 1, the above information is applied to PWRCLKP pin because of swapping with PWRCLKN.

PWRCLKP_PV: PWRCLKP Pin Value

This bit reflects the PWRCLKP pin value if PWRCLKPN_FS = 0, or the PWRCLKN pin value if PWRCLKPN_FS = 1 (because of swapping with PWRCLKP).

PWRCLKP_PV2: PWRCLKP Pin Value

This bit reflects the PWRCLKN pin value if PWRCLKPN_FS = 0, or the PWRCLKP pin value if PWRCLKPN_FS = 1 (because of swapping with PWRCLKN).

DC_PWRCLKPN: Direct Control of PWRCLKP, PWRCLKN Pins Enable

0: Enables protocol logic control of PWRCLKP, PWRCLKN pins.

1: Enables the use of PWRCLKP_PCS and PWRCLKN_PCS2 bits for direct control of PWRCLKP, PWRCLKN pins making them general purpose input/outputs (GPIOs).

MIE: MADCVS Interrupt Enable

0: Disables smd_irq interrupt generation for MADCVS flag.

1: Enables smd_irq interrupt generation for MADCVS flag.

47. Timer Counter (TC)

47.1 Description

A Timer Counter (TC) module includes three identical TC channels. The number of implemented TC modules is device-specific.

Each TC channel can be independently programmed to perform a wide range of functions including frequency measurement, event counting, interval measurement, pulse generation, delay timing and pulse width modulation.

Each channel has three external clock inputs, five internal clock inputs and two multi-purpose input/output signals which can be configured by the user. Each channel drives an internal interrupt signal which can be programmed to generate processor interrupts.

The TC block has two global registers which act upon all TC channels:

- Block Control Register (TC_BCR)—allows channels to be started simultaneously with the same instruction
- Block Mode Register (TC_BMR)—defines the external clock inputs for each channel, allowing them to be chained

47.2 Embedded Characteristics

- Total number of TC channels implemented on this device: 6
- TC channel size: 32-bit
- Wide range of functions including:
 - Frequency measurement
 - Event counting
 - Interval measurement
 - Pulse generation
 - Delay timing
 - Pulse Width Modulation
 - Up/down capabilities
 - 2-bit Gray up/down count for stepper motor
- Each channel is user-configurable and contains:
 - Three external clock inputs
 - Five Internal clock inputs
 - Two multi-purpose input/output signals acting as trigger event
- Internal interrupt signal
- Compare event fault generation for PWM
- Register Write Protection

SAMA5D3 SERIES

47.3 Block Diagram

Table 47-1: Timer Counter Clock Assignment

Name	Definition
TIMER_CLOCK1	div2
TIMER_CLOCK2	div8
TIMER_CLOCK3	div32
TIMER_CLOCK4	div128
TIMER_CLOCK5 ⁽¹⁾	slow_clock

Note 1: When slow_clock is selected for Peripheral Clock (CSS = 0 in PMC Master Clock Register), slow_clock input is equivalent to Peripheral Clock.

Figure 47-1: Timer Counter Block Diagram

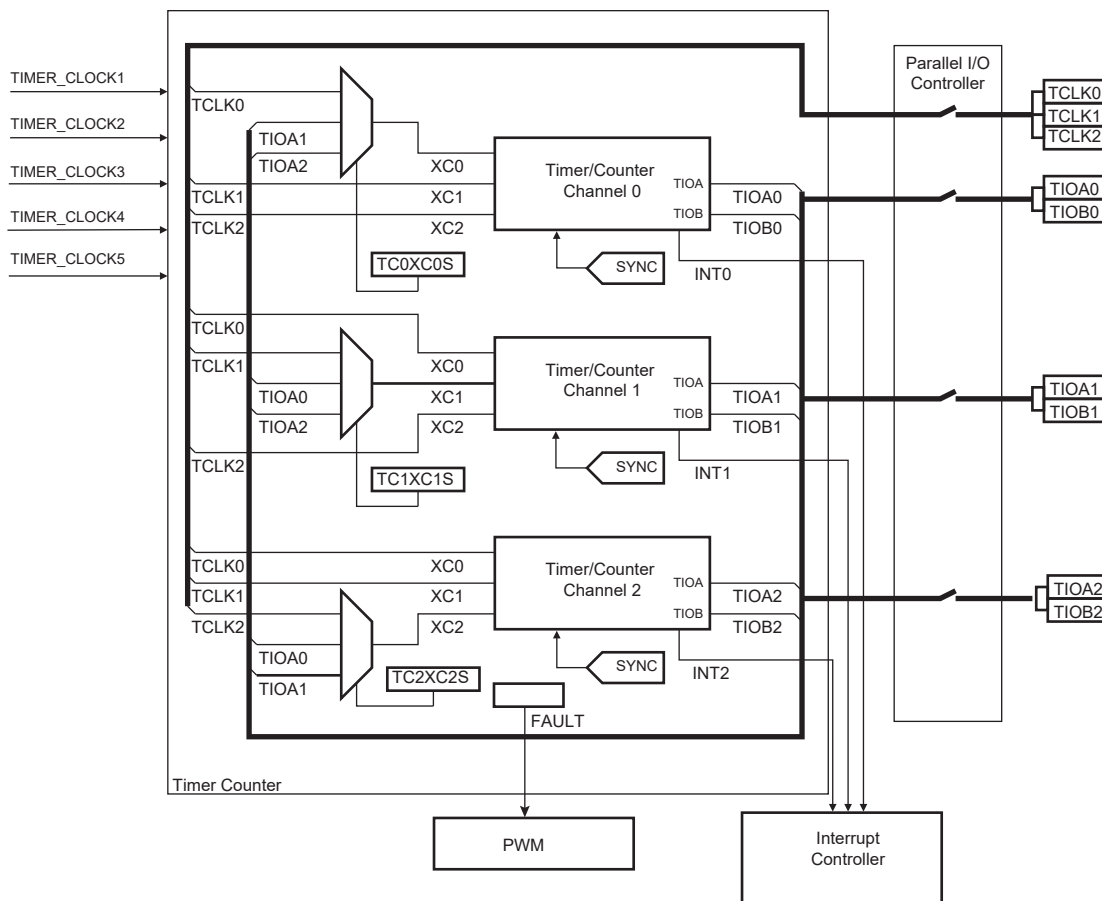


Table 47-2: Channel Signal Description

Signal Name	Description
XC0, XC1, XC2	External Clock Inputs
TIOA	Capture Mode: Timer Counter Input Waveform Mode: Timer Counter Output

Table 47-2: Channel Signal Description

Signal Name	Description
TIOB	Capture Mode: Timer Counter Input Waveform Mode: Timer Counter Input/Output
INT	Interrupt Signal Output (internal signal)
SYNC	Synchronization Input Signal (from configuration register)

47.4 Pin List

Table 47-3: Pin List

Pin Name	Description	Type
TCLK0–TCLK2	External Clock Input	Input
TIOA0–TIOA2	I/O Line A	I/O
TIOB0–TIOB2	I/O Line B	I/O

47.5 Product Dependencies

47.5.1 I/O Lines

The pins used for interfacing the compliant external devices may be multiplexed with PIO lines. The programmer must first program the PIO controllers to assign the TC pins to their peripheral functions.

Table 47-4: I/O Lines

Instance	Signal	I/O Line	Peripheral
TC0	TCLK0	PD7	B
TC0	TCLK1	PC14	B
TC0	TCLK2	PE29	B
TC0	TIOA0	PD5	B
TC0	TIOA1	PC12	B
TC0	TIOA2	PE27	B
TC0	TIOB0	PD6	B
TC0	TIOB1	PC13	B
TC0	TIOB2	PE28	B
TC1	TCLK3	PC2	B
TC1	TCLK4	PC5	B
TC1	TCLK5	PC8	B
TC1	TIOA3	PC0	B
TC1	TIOA4	PC3	B
TC1	TIOA5	PC6	B
TC1	TIOB3	PC1	B
TC1	TIOB4	PC4	B
TC1	TIOB5	PC7	B

SAMA5D3 SERIES

47.5.2 Power Management

The TC is clocked through the Power Management Controller (PMC), thus the programmer must first configure the PMC to enable the Timer Counter clock.

47.5.3 Interrupt Sources

The TC has an interrupt line connected to the interrupt controller. Handling the TC interrupt requires programming the interrupt controller before configuring the TC.

Table 47-5: Peripheral IDs

Instance	ID
TC0	26
TC1	27

47.5.4 Fault Output

The TC has the FAULT output internally connected to the fault input of PWM. Refer to [Section 47.6.15 Fault Mode](#) and to the implementation of the Pulse Width Modulation (PWM) in this product.

47.6 Functional Description

47.6.1 Description

All channels of the Timer Counter are independent and identical in operation. The registers for channel programming are listed in [Table 47-6 Register Mapping](#).

47.6.2 32-bit Counter

Each 32-bit channel is organized around a 32-bit counter. The value of the counter is incremented at each positive edge of the selected clock. When the counter has reached the value $2^{32}-1$ and passes to zero, an overflow occurs and the COVFS bit in the TC Status Register (TC_SR) is set.

The current value of the counter is accessible in real time by reading the TC Counter Value Register (TC_CV). The counter can be reset by a trigger. In this case, the counter value passes to zero on the next valid edge of the selected clock.

47.6.3 Clock Selection

At block level, input clock signals of each channel can either be connected to the external inputs TCLK0, TCLK1 or TCLK2, or be connected to the internal I/O signals TIOA0, TIOA1 or TIOA2 for chaining⁽²⁾ by programming the TC Block Mode Register (TC_BMR). See [Figure 47-2](#).

Each channel can independently select an internal or external clock source for its counter⁽¹⁾:

- External clock signals: XC0, XC1 or XC2
- Internal clock signals: div2, div8, div32, div128, slow_clock

This selection is made by the TCCLKS bits in the TC Channel Mode Register (TC_CMR).

The selected clock can be inverted with the CLKI bit in the TC_CMR. This allows counting on the opposite edges of the clock.

The burst function allows the clock to be validated when an external signal is high. The BURST parameter in the TC_CMR defines this signal (none, XC0, XC1, XC2). See [Figure 47-3](#).

Note 1: In all cases, if an external clock, the duration of each of its levels must be longer than the peripheral clock period, so the clock frequency will be at least 2.5 times lower than the peripheral clock.

- 2:** In Waveform mode, to chain two timers it is mandatory to initialize some parameters:
- a) Configure TIOx outputs to 1 or 0 by writing the required value to TC_CMR.ASWTRG.
 - b) The bit TC_BCR.SYNC must be written to 1 to start the channels at the same time.

Figure 47-2: Clock Chaining Selection

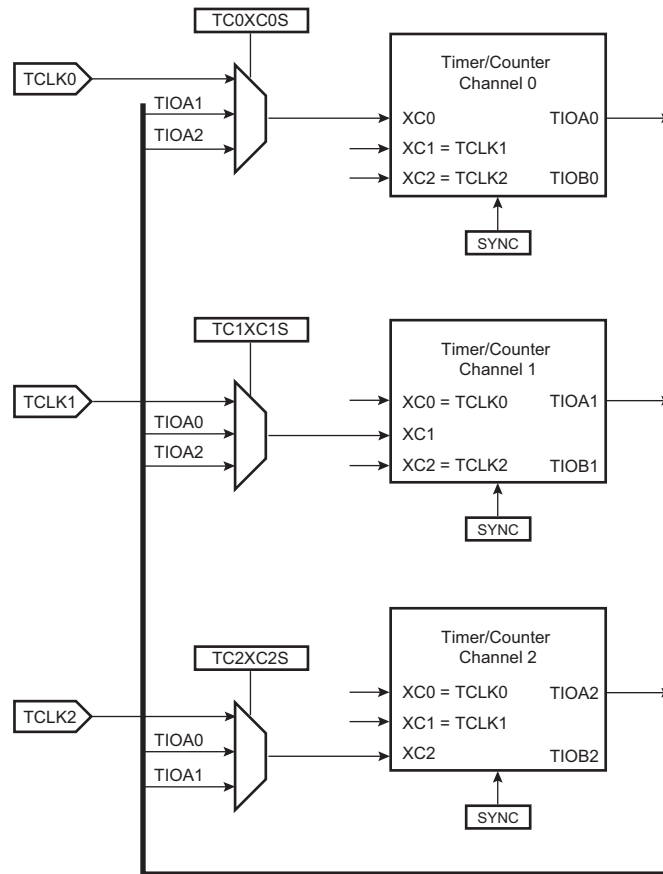
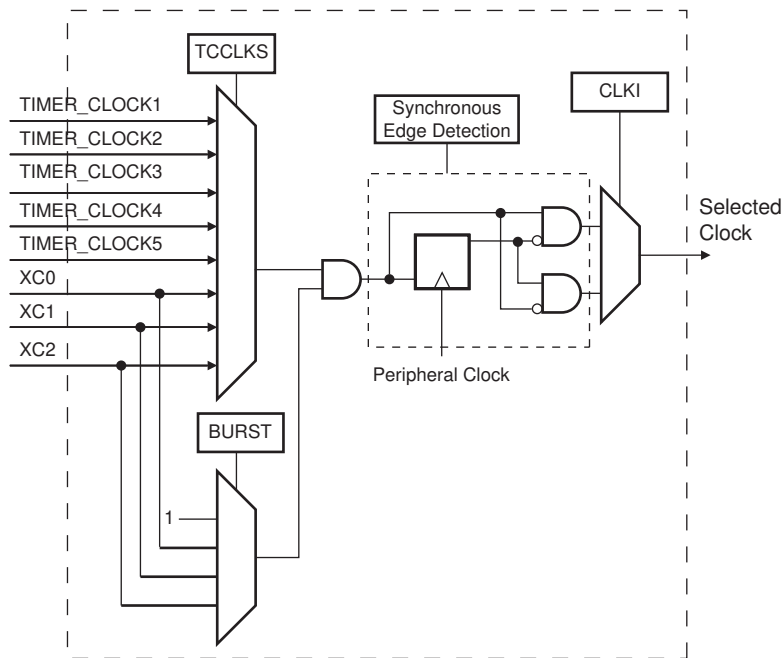


Figure 47-3: Clock Selection



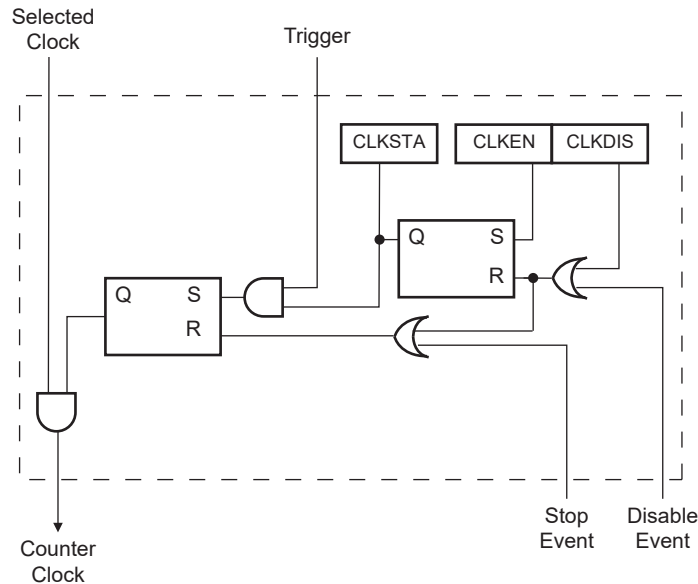
SAMA5D3 SERIES

47.6.4 Clock Control

The clock of each counter can be controlled in two different ways: it can be enabled/disabled and started/stopped. See [Figure 47-4](#).

- The clock can be enabled or disabled by the user with the CLKEN and the CLKDIS commands in the TC Channel Control Register (TC_CCR). In Capture mode it can be disabled by an RB load event if LDBDIS is set to 1 in the TC_CMR. In Waveform mode, it can be disabled by an RC Compare event if CPCDIS is set to 1 in TC_CMR. When disabled, the start or the stop actions have no effect: only a CLKEN command in the TC_CCR can re-enable the clock. When the clock is enabled, the CLKSTA bit is set in the TC_SR.
- The clock can also be started or stopped: a trigger (software, synchro, external or compare) always starts the clock. The clock can be stopped by an RB load event in Capture mode (LDBSTOP = 1 in TC_CMR) or an RC compare event in Waveform mode (CPCSTOP = 1 in TC_CMR). The start and the stop commands are effective only if the clock is enabled.

Figure 47-4: Clock Control



47.6.5 Operating Modes

Each channel can operate independently in two different modes:

- Capture mode provides measurement on signals.
- Waveform mode provides wave generation.

The TC operating mode is programmed with the WAVE bit in the TC_CMR.

In Capture mode, TIOA and TIOB are configured as inputs.

In Waveform mode, TIOA is always configured to be an output and TIOB is an output if it is not selected to be the external trigger.

47.6.6 Trigger

A trigger resets the counter and starts the counter clock. Three types of triggers are common to both modes, and a fourth external trigger is available to each mode.

Regardless of the trigger used, it will be taken into account at the following active edge of the selected clock. This means that the counter value can be read differently from zero just after a trigger, especially when a low frequency signal is selected as the clock.

The following triggers are common to both modes:

- Software Trigger: Each channel has a software trigger, available by setting SWTRG in TC_CCR.
- SYNC: Each channel has a synchronization signal SYNC. When asserted, this signal has the same effect as a software trigger. The SYNC signals of all channels are asserted simultaneously by writing TC_BCR (Block Control) with SYNC set.
- Compare RC Trigger: RC is implemented in each channel and can provide a trigger when the counter value matches the RC value if CPCTR is set in the TC_CMR.

The channel can also be configured to have an external trigger. In Capture mode, the external trigger signal can be selected between TIOA and TIOB. In Waveform mode, an external event can be programmed on one of the following signals: TIOB, XC0, XC1 or XC2. This external event can then be programmed to perform a trigger by setting bit ENETR in the TC_CMR.

If an external trigger is used, the duration of the pulses must be longer than the peripheral clock period in order to be detected.

47.6.7 Capture Mode

Capture mode is entered by clearing the WAVE bit in the TC_CMR.

Capture mode allows the TC channel to perform measurements such as pulse timing, frequency, period, duty cycle and phase on TIOA and TIOB signals which are considered as inputs.

Figure 47-5 shows the configuration of the TC channel when programmed in Capture mode.

47.6.8 Capture Registers A and B

Registers A and B (RA and RB) are used as capture registers. They can be loaded with the counter value when a programmable event occurs on the signal TIOA.

The LDRA field in the TC_CMR defines the TIOA selected edge for the loading of register A, and the LDRB field defines the TIOA selected edge for the loading of Register B.

RA is loaded only if it has not been loaded since the last trigger or if RB has been loaded since the last loading of RA.

RB is loaded only if RA has been loaded since the last trigger or the last loading of RB.

Loading RA or RB before the read of the last value loaded sets the Overrun Error Flag (LOVRS bit) in the TC_SR. In this case, the old value is overwritten.

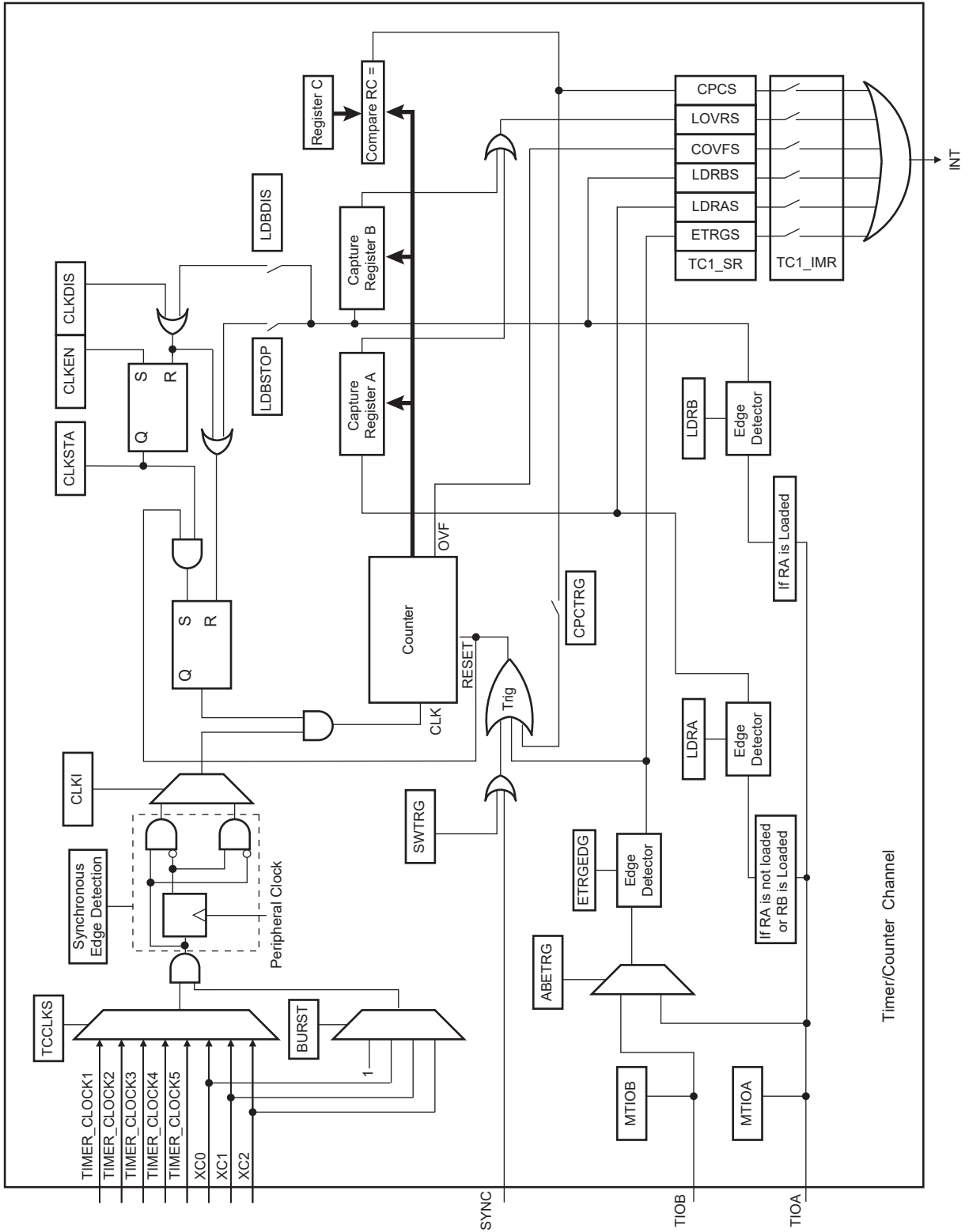
47.6.9 Trigger Conditions

In addition to the SYNC signal, the software trigger and the RC compare trigger, an external trigger can be defined.

The ABETRG bit in the TC_CMR selects TIOA or TIOB input signal as an external trigger. The External Trigger Edge Selection parameter (ETRGEDG field in TC_CMR) defines the edge (rising, falling, or both) detected to generate an external trigger. If ETRGEDG = 0 (none), the external trigger is disabled.

SAMA5D3 SERIES

Figure 47-5: Capture Mode



47.6.10 Waveform Mode

Waveform mode is entered by setting the TC_CMRx.WAVE bit.

In Waveform mode, the TC channel generates one or two PWM signals with the same frequency and independently programmable duty cycles, or generates different types of one-shot or repetitive pulses.

In this mode, TIOA is configured as an output and TIOB is defined as an output if it is not used as an external event (EEVT parameter in TC_CMR).

[Figure 47-6](#) shows the configuration of the TC channel when programmed in Waveform operating mode.

47.6.11 Waveform Selection

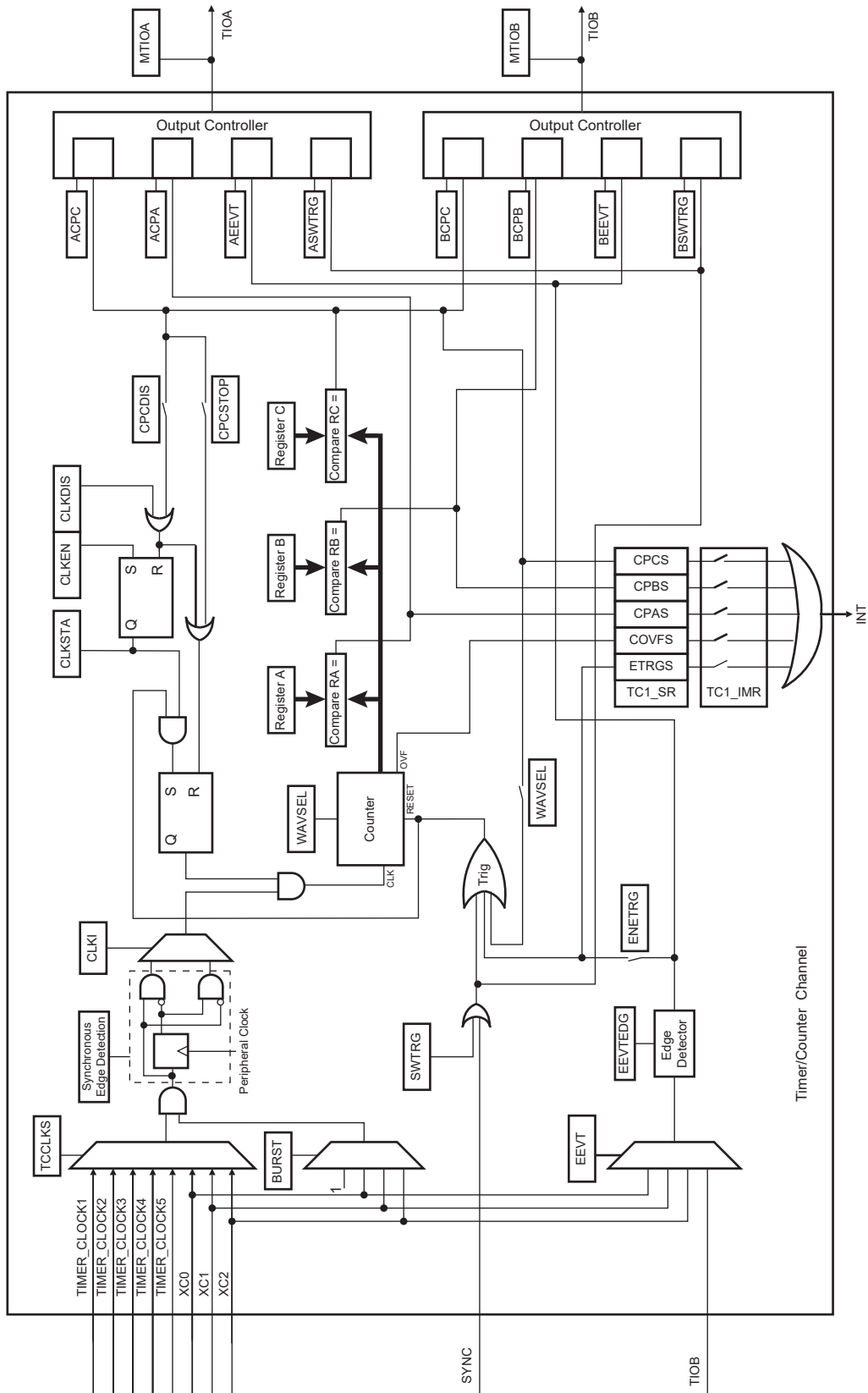
Depending on the WAVSEL parameter in TC_CMR, the behavior of TC_CV varies.

With any selection, TC_RA, TC_RB and TC_RC can all be used as compare registers.

RA Compare is used to control the TIOA output, RB Compare is used to control the TIOB output (if correctly configured) and RC Compare is used to control TIOA and/or TIOB outputs.

SAMA5D3 SERIES

Figure 47-6: Waveform Mode



47.6.11.1 WAVSEL = 00

When WAVSEL = 00, the value of TC_CV is incremented from 0 to $2^{32}-1$. Once $2^{32}-1$ has been reached, the value of TC_CV is reset. Incrementation of TC_CV starts again and the cycle continues. See [Figure 47-7](#).

An external event trigger or a software trigger can reset the value of TC_CV. It is important to note that the trigger may occur at any time. See [Figure 47-8](#).

RC Compare cannot be programmed to generate a trigger in this configuration. At the same time, RC Compare can stop the counter clock (CPCSTOP = 1 in TC_CMR) and/or disable the counter clock (CPCDIS = 1 in TC_CMR).

Figure 47-7: WAVSEL = 00 without Trigger

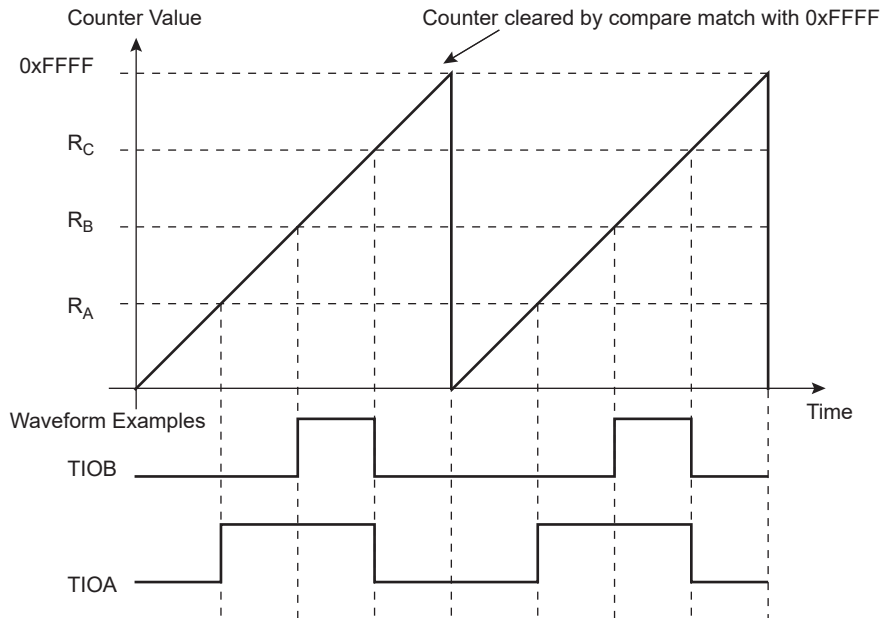
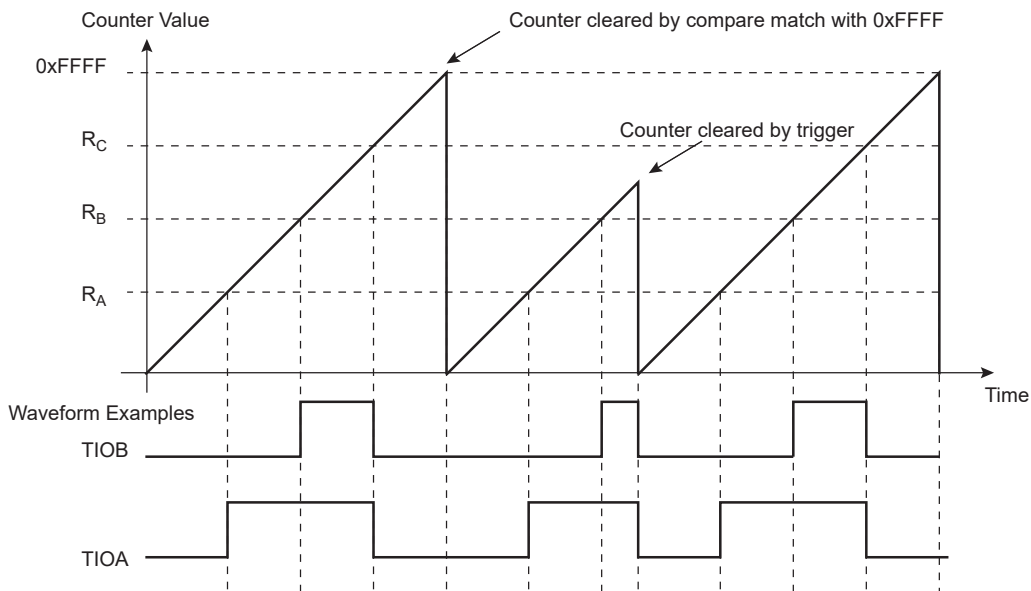


Figure 47-8: WAVSEL = 00 with Trigger



SAMA5D3 SERIES

47.6.11.2 WAVSEL = 10

When WAVSEL = 10, the value of TC_CV is incremented from 0 to the value of RC, then automatically reset on a RC Compare. Once the value of TC_CV has been reset, it is then incremented and so on. See [Figure 47-9](#).

It is important to note that TC_CV can be reset at any time by an external event or a software trigger if both are programmed correctly. See [Figure 47-10](#).

In addition, RC Compare can stop the counter clock (CPCSTOP = 1 in TC_CMR) and/or disable the counter clock (CPCDIS = 1 in TC_CMR).

Figure 47-9: WAVSEL = 10 without Trigger

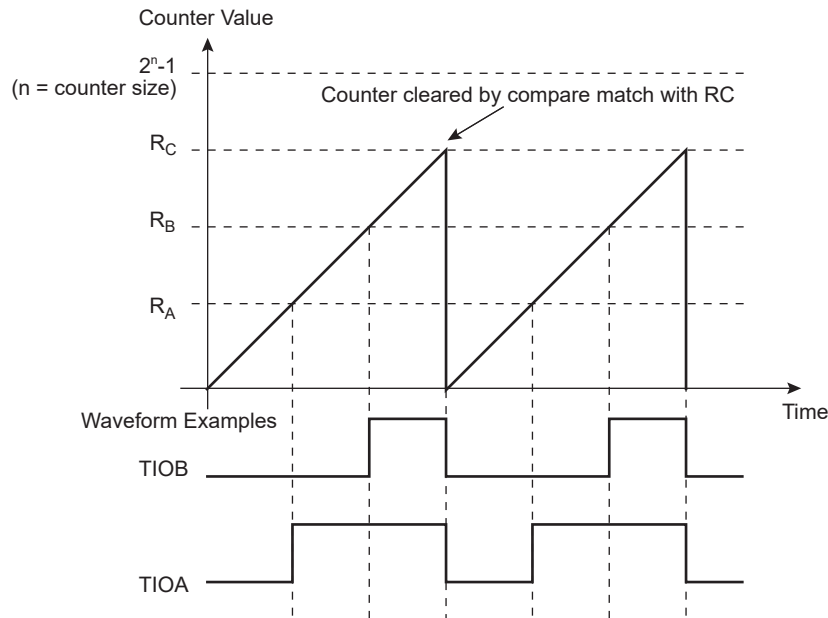
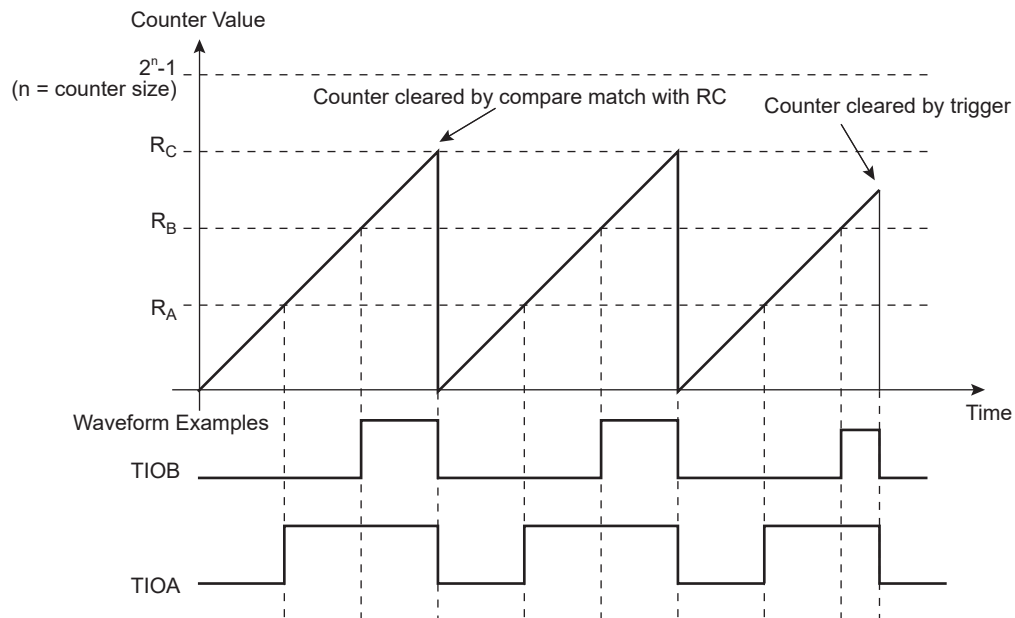


Figure 47-10: WAVSEL = 10 with Trigger



47.6.11.3 WAVSEL = 01

When WAVSEL = 01, the value of TC_CV is incremented from 0 to $2^{32}-1$. Once $2^{32}-1$ is reached, the value of TC_CV is decremented to 0, then re-incremented to $2^{32}-1$ and so on. See [Figure 47-11](#).

A trigger such as an external event or a software trigger can modify TC_CV at any time. If a trigger occurs while TC_CV is incrementing, TC_CV then decrements. If a trigger is received while TC_CV is decrementing, TC_CV then increments. See [Figure 47-12](#).

RC Compare cannot be programmed to generate a trigger in this configuration.

At the same time, RC Compare can stop the counter clock (CPCSTOP = 1) and/or disable the counter clock (CPCDIS = 1).

Figure 47-11: WAVSEL = 01 without Trigger

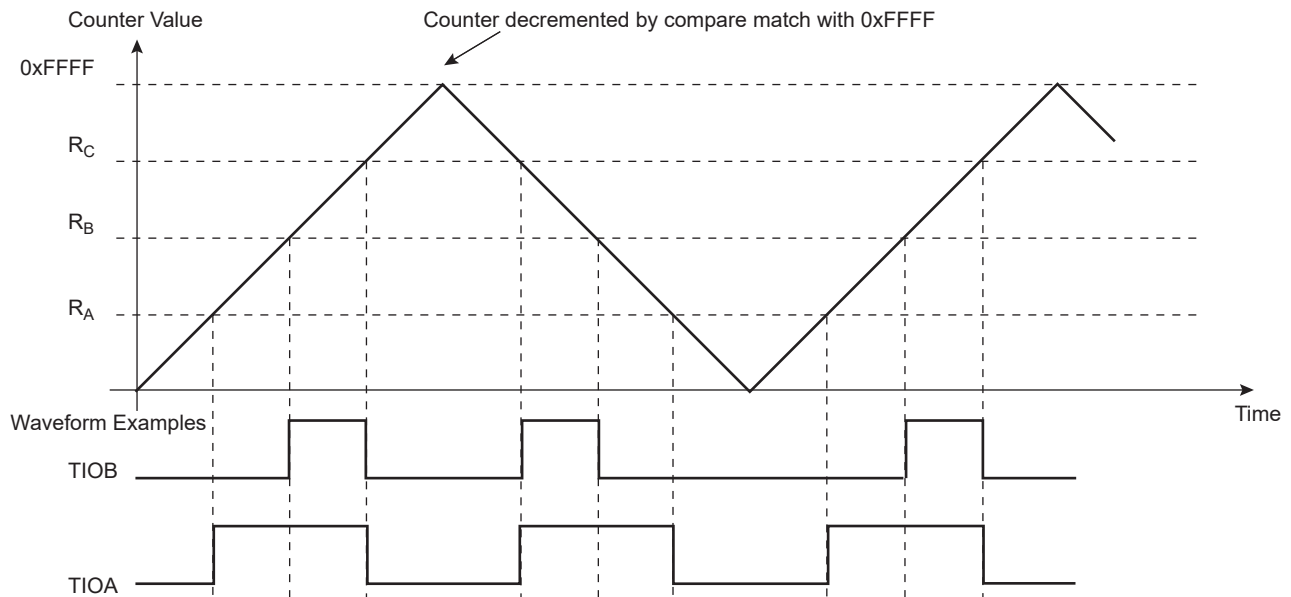
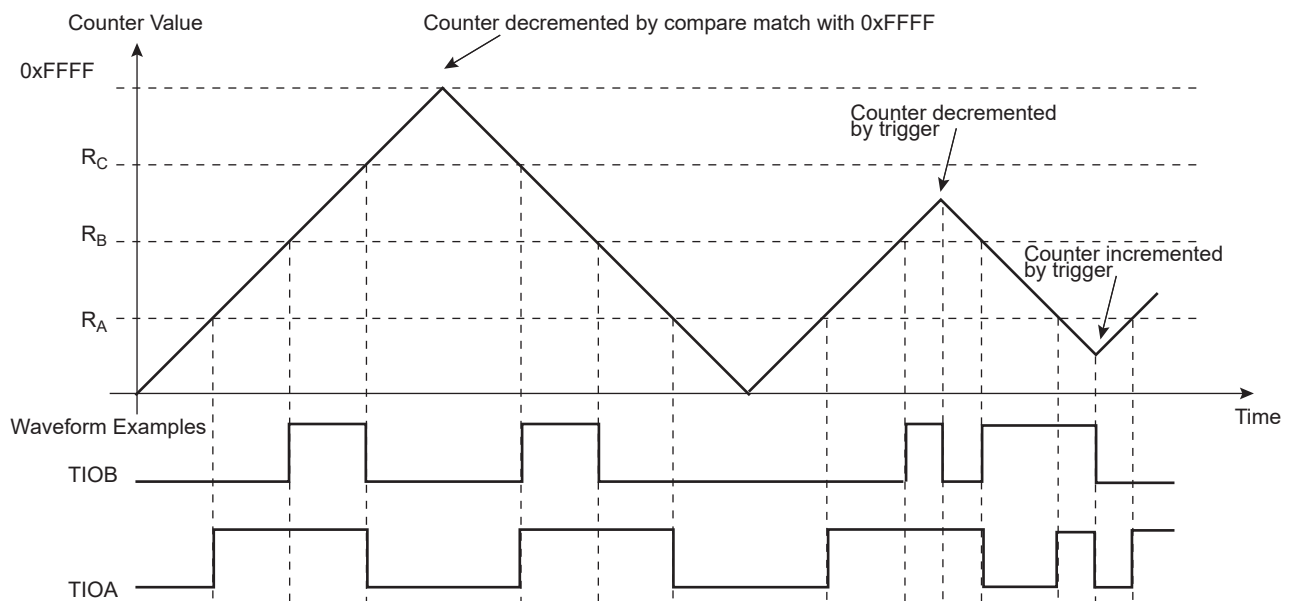


Figure 47-12: WAVSEL = 01 with Trigger



47.6.11.4 WAVSEL = 11

When WAVSEL = 11, the value of TC_CV is incremented from 0 to RC. Once RC is reached, the value of TC_CV is decremented to 0, then re-incremented to RC and so on. See [Figure 47-13](#).

SAMA5D3 SERIES

A trigger such as an external event or a software trigger can modify TC_CV at any time. If a trigger occurs while TC_CV is incrementing, TC_CV then decrements. If a trigger is received while TC_CV is decrementing, TC_CV then increments. See [Figure 47-14](#).

RC Compare can stop the counter clock (CPCSTOP = 1) and/or disable the counter clock (CPCDIS = 1).

Figure 47-13: WAVSEL = 11 without Trigger

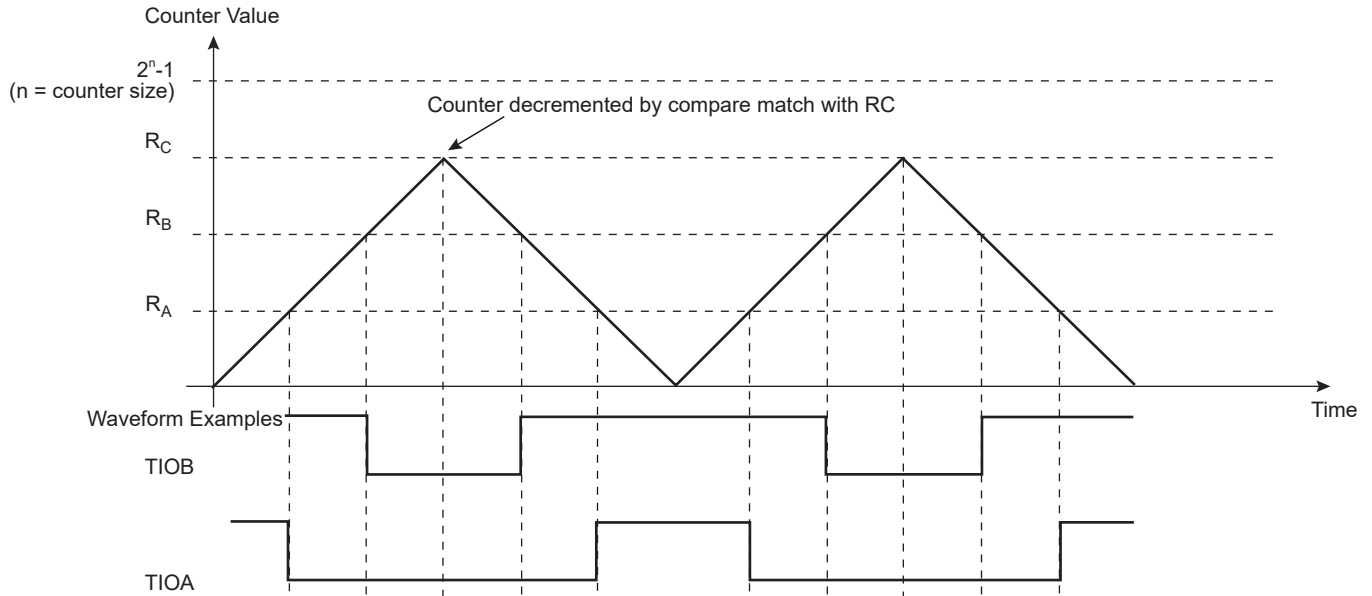
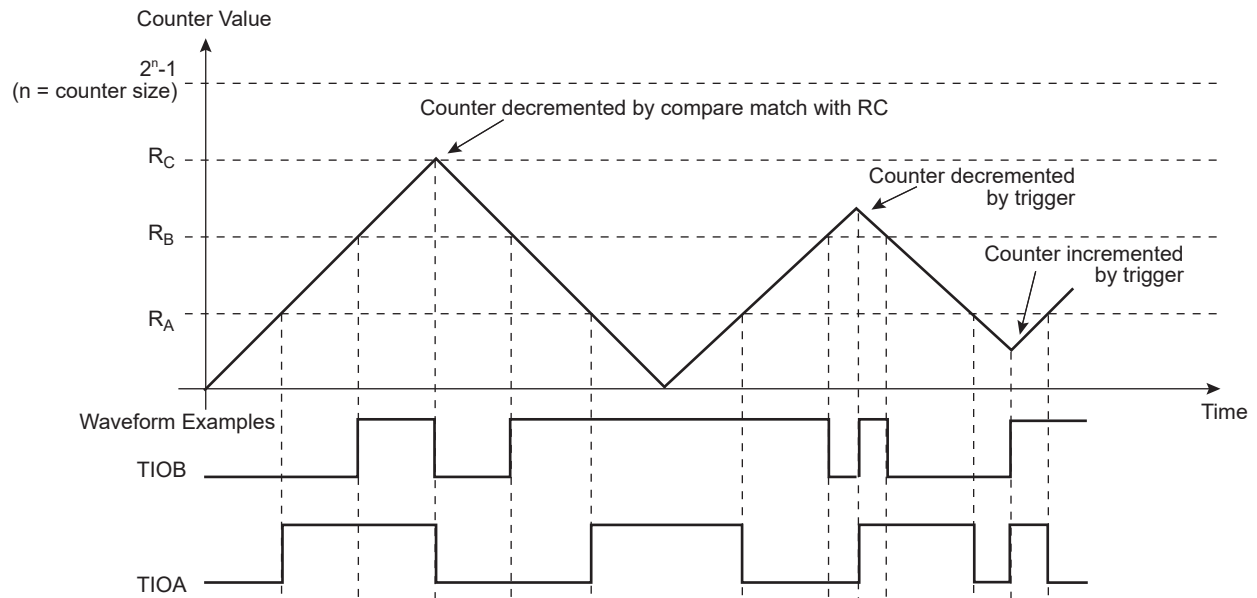


Figure 47-14: WAVSEL = 11 with Trigger



47.6.12 External Event/Trigger Conditions

An external event can be programmed to be detected on one of the clock sources (XC0, XC1, XC2) or TIOB. The external event selected can then be used as a trigger.

The EEVT parameter in TC_CMCR selects the external trigger. The EEVTEDG parameter defines the trigger edge for each of the possible external triggers (rising, falling or both). If EEVTEDG is cleared (none), no external event is defined.

If TIOB is defined as an external event signal (EEVT = 0), TIOB is no longer used as an output and the compare register B is not used to generate waveforms and subsequently no IRQs. In this case the TC channel can only generate a waveform on TIOA.

When an external event is defined, it can be used as a trigger by setting bit ENETRIG in the TC_CMCR.

As in Capture mode, the SYNC signal and the software trigger are also available as triggers. RC Compare can also be used as a trigger depending on the parameter WAVSEL.

SAMA5D3 SERIES

47.6.13 Output Controller

The output controller defines the output level changes on TIOA and TIOB following an event. TIOB control is used only if TIOB is defined as output (not as an external event).

The following events control TIOA and TIOB: software trigger, external event and RC compare. RA compare controls TIOA and RB compare controls TIOB. Each of these events can be programmed to set, clear or toggle the output as defined in the corresponding parameter in TC_CMR.

47.6.14 2-bit Gray Up/Down Counter for Stepper Motor

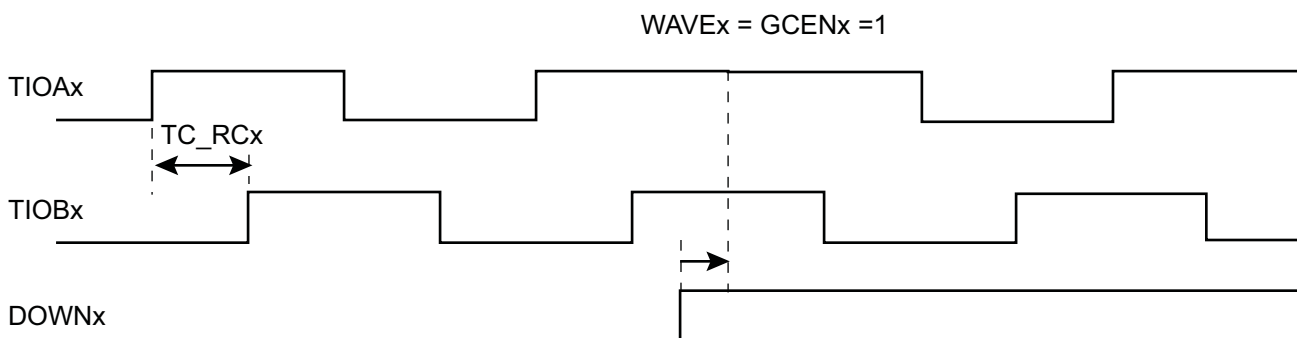
Each channel can be independently configured to generate a 2-bit Gray count waveform on corresponding TIOA, TIOB outputs by means of the GCEN bit in TC_SMMRx.

Up or Down count can be defined by writing bit DOWN in TC_SMMRx.

It is mandatory to configure the channel in Waveform mode in the TC_CMR.

The period of the counters can be programmed in TC_RCx.

Figure 47-15: 2-bit Gray Up/Down Counter



47.6.15 Fault Mode

At any time, the TC_RCx registers can be used to perform a comparison on the respective current channel counter value (TC_CVx) with the value of TC_RCx register.

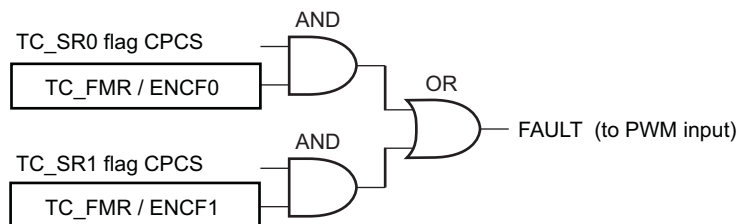
The CPCSx flags can be set accordingly and an interrupt can be generated.

This interrupt is processed but requires an unpredictable amount of time to be achieved the required action.

It is possible to trigger the FAULT output of the TIMER1 with CPCS from TC_SR0 and/or CPCS from TC_SR1. Each source can be independently enabled/disabled in the TC_FMR.

This can be useful to detect an overflow on speed and/or position when QDEC is processed and to act immediately by using the FAULT output.

Figure 47-16: Fault Output Generation



47.6.16 Register Write Protection

To prevent any single software error from corrupting TC behavior, certain registers in the address space can be write-protected by setting the WPEN bit in the [TC Write Protection Mode Register \(TC_WPMR\)](#).

The Timer Counter clock of the first channel must be enabled to access TC_WPMR.

The following registers can be write-protected:

- [TC Block Mode Register](#)
- [TC Channel Mode Register: Capture Mode](#)
- [TC Channel Mode Register: Waveform Mode](#)
- [TC Fault Mode Register](#)
- [TC Stepper Motor Mode Register](#)
- [TC Register A](#)
- [TC Register B](#)
- [TC Register C](#)

SAMA5D3 SERIES

47.7 Timer Counter (TC) User Interface

Table 47-6: Register Mapping

Offset ⁽¹⁾	Register	Name	Access	Reset
0x00 + channel * 0x40 + 0x00	Channel Control Register	TC_CCR	Write-only	–
0x00 + channel * 0x40 + 0x04	Channel Mode Register	TC_CMR	Read/Write	0
0x00 + channel * 0x40 + 0x08	Stepper Motor Mode Register	TC_SMMR	Read/Write	0
0x00 + channel * 0x40 + 0x0C	Reserved	–	–	–
0x00 + channel * 0x40 + 0x10	Counter Value	TC_CV	Read-only	0
0x00 + channel * 0x40 + 0x14	Register A	TC_RA	Read/Write ⁽²⁾	0
0x00 + channel * 0x40 + 0x18	Register B	TC_RB	Read/Write ⁽²⁾	0
0x00 + channel * 0x40 + 0x1C	Register C	TC_RC	Read/Write	0
0x00 + channel * 0x40 + 0x20	Status Register	TC_SR	Read-only	0
0x00 + channel * 0x40 + 0x24	Interrupt Enable Register	TC_IER	Write-only	–
0x00 + channel * 0x40 + 0x28	Interrupt Disable Register	TC_IDR	Write-only	–
0x00 + channel * 0x40 + 0x2C	Interrupt Mask Register	TC_IMR	Read-only	0
0xC0	Block Control Register	TC_BCR	Write-only	–
0xC4	Block Mode Register	TC_BMR	Read/Write	0
0xC8–0xD4	Reserved	–	–	–
0xD8	Fault Mode Register	TC_FMR	Read/Write	0
0xE4	Write Protection Mode Register	TC_WPMR	Read/Write	0
0xE8–0xFC	Reserved	–	–	–

Note 1: Channel index ranges from 0 to 2.

2: Read-only if TC_CMRx.WAVE = 0

47.7.1 TC Channel Control Register

Name:TC_CCRx [x=0..2]

Address:0xF0010000 (0)[0], 0xF0010040 (0)[1], 0xF0010080 (0)[2], 0xF8014000 (1)[0], 0xF8014040 (1)[1], 0xF8014080 (1)[2]

Access:Write-only

31	30	29	28	27	26	25	24
–	–	–	–	–	–	–	–
23	22	21	20	19	18	17	16
–	–	–	–	–	–	–	–
15	14	13	12	11	10	9	8
–	–	–	–	–	–	–	–
7	6	5	4	3	2	1	0
–	–	–	–	–	SWTRG	CLKDIS	CLKEN

CLKEN: Counter Clock Enable Command

0: No effect.

1: Enables the clock if CLKDIS is not 1.

CLKDIS: Counter Clock Disable Command

0: No effect.

1: Disables the clock.

SWTRG: Software Trigger Command

0: No effect.

1: A software trigger is performed: the counter is reset and the clock is started.

SAMA5D3 SERIES

47.7.2 TC Channel Mode Register: Capture Mode

Name: TC_CMRx [x=0..2] (CAPTURE_MODE)

Address: 0xF0010004 (0)[0], 0xF0010044 (0)[1], 0xF0010084 (0)[2], 0xF8014004 (1)[0], 0xF8014044 (1)[1], 0xF8014084 (1)[2]

Access: Read/Write

31	30	29	28	27	26	25	24
–	–	–	–	–	–	–	–
23	22	21	20	19	18	17	16
–	–	–	–	LDRB		LDRA	
15	14	13	12	11	10	9	8
WAVE	CPCTRG	–	–	–	ABETRG	ETRGEDG	
7	6	5	4	3	2	1	0
LDBDIS	LDBSTOP	BURST		CLKI	TCCLKS		

This register can only be written if the WPEN bit is cleared in the [TC Write Protection Mode Register](#).

TCCLKS: Clock Selection

Value	Name	Description
0	TIMER_CLOCK1	Clock selected: internal div2 clock signal (from PMC)
1	TIMER_CLOCK2	Clock selected: internal div8 clock signal (from PMC)
2	TIMER_CLOCK3	Clock selected: internal div32 clock signal (from PMC)
3	TIMER_CLOCK4	Clock selected: internal div128 clock signal (from PMC)
4	TIMER_CLOCK5	Clock selected: internal slow_clock clock signal (from PMC)
5	XC0	Clock selected: XC0
6	XC1	Clock selected: XC1
7	XC2	Clock selected: XC2

CLKI: Clock Invert

0: Counter is incremented on rising edge of the clock.

1: Counter is incremented on falling edge of the clock.

BURST: Burst Signal Selection

Value	Name	Description
0	NONE	The clock is not gated by an external signal.
1	XC0	XC0 is ANDed with the selected clock.
2	XC1	XC1 is ANDed with the selected clock.
3	XC2	XC2 is ANDed with the selected clock.

LDBSTOP: Counter Clock Stopped with RB Loading

0: Counter clock is not stopped when RB loading occurs.

1: Counter clock is stopped when RB loading occurs.

LDBDIS: Counter Clock Disable with RB Loading

0: Counter clock is not disabled when RB loading occurs.

1: Counter clock is disabled when RB loading occurs.

ETRGEDG: External Trigger Edge Selection

Value	Name	Description
0	NONE	The clock is not gated by an external signal.
1	RISING	Rising edge
2	FALLING	Falling edge
3	EDGE	Each edge

ABETRG: TIOA or TIOB External Trigger Selection

0: TIOB is used as an external trigger.

1: TIOA is used as an external trigger.

CPCTRG: RC Compare Trigger Enable

0: RC Compare has no effect on the counter and its clock.

1: RC Compare resets the counter and starts the counter clock.

WAVE: Waveform Mode

0: Capture mode is enabled.

1: Capture mode is disabled (Waveform mode is enabled).

LDRA: RA Loading Edge Selection

Value	Name	Description
0	NONE	None
1	RISING	Rising edge of TIOA
2	FALLING	Falling edge of TIOA
3	EDGE	Each edge of TIOA

LDRB: RB Loading Edge Selection

Value	Name	Description
0	NONE	None
1	RISING	Rising edge of TIOA
2	FALLING	Falling edge of TIOA
3	EDGE	Each edge of TIOA

SAMA5D3 SERIES

47.7.3 TC Channel Mode Register: Waveform Mode

Name: TC_CMRx [x=0..2] (WAVEFORM_MODE)

Address: 0xF0010004 (0)[0], 0xF0010044 (0)[1], 0xF0010084 (0)[2], 0xF8014004 (1)[0], 0xF8014044 (1)[1], 0xF8014084 (1)[2]

Access: Read/Write

31	30	29	28	27	26	25	24
BSWTRG		BEEVT		BCPC		BCPB	
23	22	21	20	19	18	17	16
ASWTRG		AEEVT		ACPC		ACPA	
15	14	13	12	11	10	9	8
WAVE	WAVSEL		ENETRГ	EEVT		EEVTEDG	
7	6	5	4	3	2	1	0
CPCDIS	CPCSTOP	BURST		CLKI	TCCLKS		

This register can only be written if the WPEN bit is cleared in the [TC Write Protection Mode Register](#).

TCCLKS: Clock Selection

Value	Name	Description
0	TIMER_CLOCK1	Clock selected: internal div2 clock signal (from PMC)
1	TIMER_CLOCK2	Clock selected: internal div8 clock signal (from PMC)
2	TIMER_CLOCK3	Clock selected: internal div32 clock signal (from PMC)
3	TIMER_CLOCK4	Clock selected: internal div128 clock signal (from PMC)
4	TIMER_CLOCK5	Clock selected: internal slow_clock clock signal (from PMC)
5	XC0	Clock selected: XC0
6	XC1	Clock selected: XC1
7	XC2	Clock selected: XC2

CLKI: Clock Invert

0: Counter is incremented on rising edge of the clock.

1: Counter is incremented on falling edge of the clock.

BURST: Burst Signal Selection

Value	Name	Description
0	NONE	The clock is not gated by an external signal.
1	XC0	XC0 is ANDed with the selected clock.
2	XC1	XC1 is ANDed with the selected clock.
3	XC2	XC2 is ANDed with the selected clock.

CPCSTOP: Counter Clock Stopped with RC Compare

0: Counter clock is not stopped when counter reaches RC.

1: Counter clock is stopped when counter reaches RC.

CPCDIS: Counter Clock Disable with RC Compare

0: Counter clock is not disabled when counter reaches RC.

1: Counter clock is disabled when counter reaches RC.

EEVTEDG: External Event Edge Selection

Value	Name	Description
0	NONE	None
1	RISING	Rising edge
2	FALLING	Falling edge
3	EDGE	Each edge

EEVT: External Event Selection

Signal selected as external event.

Value	Name	Description	TIOB Direction
0	TIOB	TIOB ⁽¹⁾	Input
1	XC0	XC0	Output
2	XC1	XC1	Output
3	XC2	XC2	Output

Note 1: If TIOB is chosen as the external event signal, it is configured as an input and no longer generates waveforms and subsequently no IRQs.

ENETRГ: External Event Trigger Enable

0: The external event has no effect on the counter and its clock.

1: The external event resets the counter and starts the counter clock.

Note: Whatever the value programmed in ENETRГ, the selected external event only controls the TIOA output and TIOB if not used as input (trigger event input or other input used).

WAVSEL: Waveform Selection

Value	Name	Description
0	UP	UP mode without automatic trigger on RC Compare
1	UPDOWN	UPDOWN mode without automatic trigger on RC Compare
2	UP_RC	UP mode with automatic trigger on RC Compare
3	UPDOWN_RC	UPDOWN mode with automatic trigger on RC Compare

WAVE: Waveform Mode

0: Waveform mode is disabled (Capture mode is enabled).

1: Waveform mode is enabled.

ACPA: RA Compare Effect on TIOA

Value	Name	Description
0	NONE	None
1	SET	Set
2	CLEAR	Clear
3	TOGGLE	Toggle

SAMA5D3 SERIES

ACPC: RC Compare Effect on TIOA

Value	Name	Description
0	NONE	None
1	SET	Set
2	CLEAR	Clear
3	TOGGLE	Toggle

AEEVT: External Event Effect on TIOA

Value	Name	Description
0	NONE	None
1	SET	Set
2	CLEAR	Clear
3	TOGGLE	Toggle

ASWTRG: Software Trigger Effect on TIOA

Value	Name	Description
0	NONE	None
1	SET	Set
2	CLEAR	Clear
3	TOGGLE	Toggle

BCPB: RB Compare Effect on TIOB

Value	Name	Description
0	NONE	None
1	SET	Set
2	CLEAR	Clear
3	TOGGLE	Toggle

BCPC: RC Compare Effect on TIOB

Value	Name	Description
0	NONE	None
1	SET	Set
2	CLEAR	Clear
3	TOGGLE	Toggle

BEEVT: External Event Effect on TIOB

Value	Name	Description
0	NONE	None
1	SET	Set
2	CLEAR	Clear
3	TOGGLE	Toggle

BSWTRG: Software Trigger Effect on TIOB

Value	Name	Description
0	NONE	None
1	SET	Set
2	CLEAR	Clear
3	TOGGLE	Toggle

SAMA5D3 SERIES

47.7.4 TC Stepper Motor Mode Register

Name:TC_SMMRx [x=0..2]

Address:0xF0010008 (0)[0], 0xF0010048 (0)[1], 0xF0010088 (0)[2], 0xF8014008 (1)[0], 0xF8014048 (1)[1], 0xF8014088 (1)[2]

Access:Read/Write

31	30	29	28	27	26	25	24
–	–	–	–	–	–	–	–
23	22	21	20	19	18	17	16
–	–	–	–	–	–	–	–
15	14	13	12	11	10	9	8
–	–	–	–	–	–	–	–
7	6	5	4	3	2	1	0
–	–	–	–	–	–	DOWN	GCEN

This register can only be written if the WPEN bit is cleared in the [TC Write Protection Mode Register](#).

GCEN: Gray Count Enable

0: TIOAx [x=0..2] and TIOBx [x=0..2] are driven by internal counter of channel x.

1: TIOAx [x=0..2] and TIOBx [x=0..2] are driven by a 2-bit Gray counter.

DOWN: Down Count

0: Up counter.

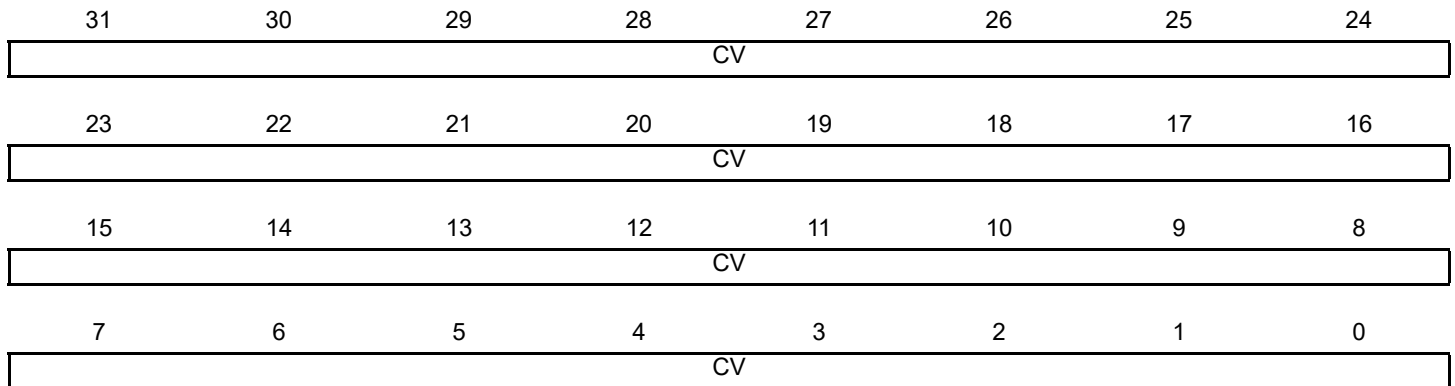
1: Down counter.

47.7.5 TC Counter Value Register

Name:TC_CVx [x=0..2]

Address:0xF0010010 (0)[0], 0xF0010050 (0)[1], 0xF0010090 (0)[2], 0xF8014010 (1)[0], 0xF8014050 (1)[1], 0xF8014090 (1)[2]

Access:Read-only



CV: Counter Value

CV contains the counter value in real time.

SAMA5D3 SERIES

47.7.6 TC Register A

Name:TC_RAx [x=0..2]

Address:0xF0010014 (0)[0], 0xF0010054 (0)[1], 0xF0010094 (0)[2], 0xF8014014 (1)[0], 0xF8014054 (1)[1], 0xF8014094 (1)[2]

Access:Read-only if TC_CM Rx.WAVE = 0, Read/Write if TC_CM Rx.WAVE = 1

31	30	29	28	27	26	25	24
RA							
23	22	21	20	19	18	17	16
RA							
15	14	13	12	11	10	9	8
RA							
7	6	5	4	3	2	1	0
RA							

This register can only be written if the WPEN bit is cleared in the [TC Write Protection Mode Register](#).

RA: Register A

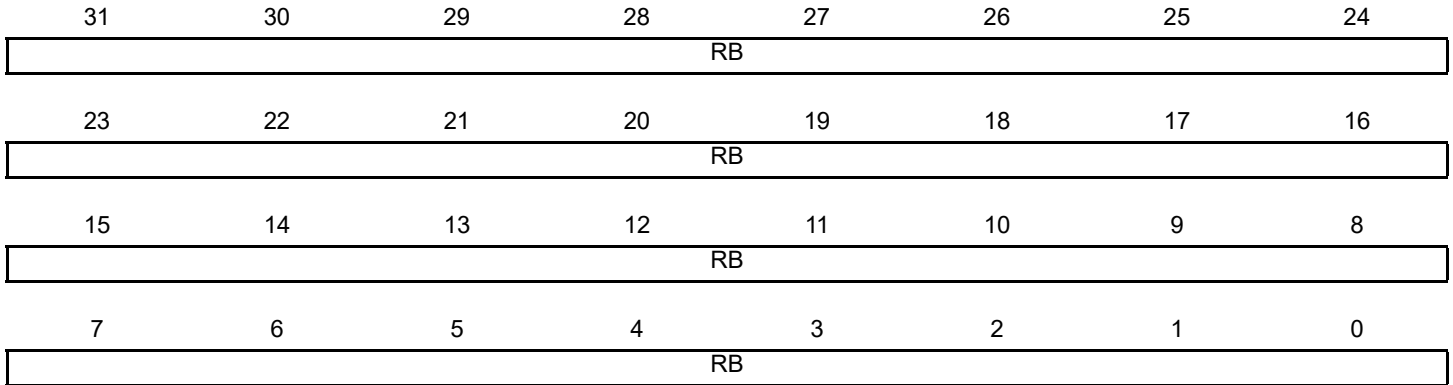
RA contains the Register A value in real time.

47.7.7 TC Register B

Name:TC_RBx [x=0..2]

Address:0xF0010018 (0)[0], 0xF0010058 (0)[1], 0xF0010098 (0)[2], 0xF8014018 (1)[0], 0xF8014058 (1)[1], 0xF8014098 (1)[2]

Access:Read-only if TC_CMRx.WAVE = 0, Read/Write if TC_CMRx.WAVE = 1



This register can only be written if the WPEN bit is cleared in the [TC Write Protection Mode Register](#).

RB: Register B

RB contains the Register B value in real time.

SAMA5D3 SERIES

47.7.8 TC Register C

Name:TC_RCx [x=0..2]

Address:0xF001001C (0)[0], 0xF001005C (0)[1], 0xF001009C (0)[2], 0xF801401C (1)[0], 0xF801405C (1)[1], 0xF801409C (1)[2]

Access:Read/Write

31	30	29	28	27	26	25	24
RC							
23	22	21	20	19	18	17	16
RC							
15	14	13	12	11	10	9	8
RC							
7	6	5	4	3	2	1	0
RC							

This register can only be written if the WPEN bit is cleared in the [TC Write Protection Mode Register](#).

RC: Register C

RC contains the Register C value in real time.

47.7.9 TC Status Register

Name:TC_SRx [x=0..2]

Address:0xF0010020 (0)[0], 0xF0010060 (0)[1], 0xF00100A0 (0)[2], 0xF8014020 (1)[0], 0xF8014060 (1)[1], 0xF80140A0 (1)[2]

Access:Read-only

31	30	29	28	27	26	25	24
–	–	–	–	–	–	–	–
23	22	21	20	19	18	17	16
–	–	–	–	–	MTIOB	MTIOA	CLKSTA
15	14	13	12	11	10	9	8
–	–	–	–	–	–	–	–
7	6	5	4	3	2	1	0
ETRGS	LDRBS	LDRAS	CPCS	CPBS	CPAS	LOVRS	COVFS

COVFS: Counter Overflow Status (cleared on read)

0: No counter overflow has occurred since the last read of the Status Register.

1: A counter overflow has occurred since the last read of the Status Register.

LOVRS: Load Overrun Status (cleared on read)

0: Load overrun has not occurred since the last read of the Status Register or TC_CMRx.WAVE = 1.

1: RA or RB have been loaded at least twice without any read of the corresponding register since the last read of the Status Register, if TC_CMRx.WAVE = 0.

CPAS: RA Compare Status (cleared on read)

0: RA Compare has not occurred since the last read of the Status Register or TC_CMRx.WAVE = 0.

1: RA Compare has occurred since the last read of the Status Register, if TC_CMRx.WAVE = 1.

CPBS: RB Compare Status (cleared on read)

0: RB Compare has not occurred since the last read of the Status Register or TC_CMRx.WAVE = 0.

1: RB Compare has occurred since the last read of the Status Register, if TC_CMRx.WAVE = 1.

CPCS: RC Compare Status (cleared on read)

0: RC Compare has not occurred since the last read of the Status Register.

1: RC Compare has occurred since the last read of the Status Register.

LDRAS: RA Loading Status (cleared on read)

0: RA Load has not occurred since the last read of the Status Register or TC_CMRx.WAVE = 1.

1: RA Load has occurred since the last read of the Status Register, if TC_CMRx.WAVE = 0.

LDRBS: RB Loading Status (cleared on read)

0: RB Load has not occurred since the last read of the Status Register or TC_CMRx.WAVE = 1.

1: RB Load has occurred since the last read of the Status Register, if TC_CMRx.WAVE = 0.

SAMA5D3 SERIES

ETRGs: External Trigger Status (cleared on read)

0: External trigger has not occurred since the last read of the Status Register.

1: External trigger has occurred since the last read of the Status Register.

CLKSTA: Clock Enabling Status

0: Clock is disabled.

1: Clock is enabled.

MTIOA: TIOA Mirror

0: TIOA is low. If TC_CM Rx.WAVE = 0, this means that TIOA pin is low. If TC_CM Rx.WAVE = 1, this means that TIOA is driven low.

1: TIOA is high. If TC_CM Rx.WAVE = 0, this means that TIOA pin is high. If TC_CM Rx.WAVE = 1, this means that TIOA is driven high.

MTIOB: TIOB Mirror

0: TIOB is low. If TC_CM Rx.WAVE = 0, this means that TIOB pin is low. If TC_CM Rx.WAVE = 1, this means that TIOB is driven low.

1: TIOB is high. If TC_CM Rx.WAVE = 0, this means that TIOB pin is high. If TC_CM Rx.WAVE = 1, this means that TIOB is driven high.

47.7.10 TC Interrupt Enable Register

Name:TC_IERx [x=0..2]

Address:0xF0010024 (0)[0], 0xF0010064 (0)[1], 0xF00100A4 (0)[2], 0xF8014024 (1)[0], 0xF8014064 (1)[1], 0xF80140A4 (1)[2]

Access:Write-only

31	30	29	28	27	26	25	24
–	–	–	–	–	–	–	–
23	22	21	20	19	18	17	16
–	–	–	–	–	–	–	–
15	14	13	12	11	10	9	8
–	–	–	–	–	–	–	–
7	6	5	4	3	2	1	0
ETRGS	LDRBS	LDRAS	CPCS	CPBS	CPAS	LOVRS	COVFS

COVFS: Counter Overflow

0: No effect.

1: Enables the Counter Overflow Interrupt.

LOVRS: Load Overrun

0: No effect.

1: Enables the Load Overrun Interrupt.

CPAS: RA Compare

0: No effect.

1: Enables the RA Compare Interrupt.

CPBS: RB Compare

0: No effect.

1: Enables the RB Compare Interrupt.

CPCS: RC Compare

0: No effect.

1: Enables the RC Compare Interrupt.

LDRAS: RA Loading

0: No effect.

1: Enables the RA Load Interrupt.

LDRBS: RB Loading

0: No effect.

1: Enables the RB Load Interrupt.

ETRGS: External Trigger

0: No effect.

1: Enables the External Trigger Interrupt.

SAMA5D3 SERIES

47.7.11 TC Interrupt Disable Register

Name:TC_IDRx [x=0..2]

Address:0xF0010028 (0)[0], 0xF0010068 (0)[1], 0xF00100A8 (0)[2], 0xF8014028 (1)[0], 0xF8014068 (1)[1], 0xF80140A8 (1)[2]

Access:Write-only

31	30	29	28	27	26	25	24
–	–	–	–	–	–	–	–
23	22	21	20	19	18	17	16
–	–	–	–	–	–	–	–
15	14	13	12	11	10	9	8
–	–	–	–	–	–	–	–
7	6	5	4	3	2	1	0
ETRGS	LDRBS	LDRAS	CPCS	CPBS	CPAS	LOVRS	COVFS

COVFS: Counter Overflow

0: No effect.

1: Disables the Counter Overflow Interrupt.

LOVRS: Load Overrun

0: No effect.

1: Disables the Load Overrun Interrupt (if TC_CMRx.WAVE = 0).

CPAS: RA Compare

0: No effect.

1: Disables the RA Compare Interrupt (if TC_CMRx.WAVE = 1).

CPBS: RB Compare

0: No effect.

1: Disables the RB Compare Interrupt (if TC_CMRx.WAVE = 1).

CPCS: RC Compare

0: No effect.

1: Disables the RC Compare Interrupt.

LDRAS: RA Loading

0: No effect.

1: Disables the RA Load Interrupt (if TC_CMRx.WAVE = 0).

LDRBS: RB Loading

0: No effect.

1: Disables the RB Load Interrupt (if TC_CMRx.WAVE = 0).

ETRGS: External Trigger

0: No effect.

1: Disables the External Trigger Interrupt.

47.7.12 TC Interrupt Mask Register

Name:TC_IMRx [x=0..2]

Address:0xF001002C (0)[0], 0xF001006C (0)[1], 0xF00100AC (0)[2], 0xF801402C (1)[0], 0xF801406C (1)[1], 0xF80140AC (1)[2]

Access:Read-only

31	30	29	28	27	26	25	24
–	–	–	–	–	–	–	–
23	22	21	20	19	18	17	16
–	–	–	–	–	–	–	–
15	14	13	12	11	10	9	8
–	–	–	–	–	–	–	–
7	6	5	4	3	2	1	0
ETRGS	LDRBS	LDRAS	CPCS	CPBS	CPAS	LOVRS	COVFS

COVFS: Counter Overflow

0: The Counter Overflow Interrupt is disabled.

1: The Counter Overflow Interrupt is enabled.

LOVRS: Load Overrun

0: The Load Overrun Interrupt is disabled.

1: The Load Overrun Interrupt is enabled.

CPAS: RA Compare

0: The RA Compare Interrupt is disabled.

1: The RA Compare Interrupt is enabled.

CPBS: RB Compare

0: The RB Compare Interrupt is disabled.

1: The RB Compare Interrupt is enabled.

CPCS: RC Compare

0: The RC Compare Interrupt is disabled.

1: The RC Compare Interrupt is enabled.

LDRAS: RA Loading

0: The Load RA Interrupt is disabled.

1: The Load RA Interrupt is enabled.

LDRBS: RB Loading

0: The Load RB Interrupt is disabled.

1: The Load RB Interrupt is enabled.

ETRGS: External Trigger

0: The External Trigger Interrupt is disabled.

1: The External Trigger Interrupt is enabled.

SAMA5D3 SERIES

47.7.13 TC Block Control Register

Name:TC_BCR

Address:0xF00100C0 (0), 0xF80140C0 (1)

Access:Write-only

31	30	29	28	27	26	25	24
–	–	–	–	–	–	–	–
23	22	21	20	19	18	17	16
–	–	–	–	–	–	–	–
15	14	13	12	11	10	9	8
–	–	–	–	–	–	–	–
7	6	5	4	3	2	1	0
–	–	–	–	–	–	–	SYNC

SYNC: Synchro Command

0: No effect.

1: Asserts the SYNC signal which generates a software trigger simultaneously for each of the channels.

47.7.14 TC Block Mode Register

Name:TC_BMR

Address:0xF00100C4 (0), 0xF80140C4 (1)

Access:Read/Write

31	30	29	28	27	26	25	24
–	–	–	–	–	–	–	–
23	22	21	20	19	18	17	16
–	–	–	–	–	–	–	–
15	14	13	12	11	10	9	8
–	–	–	–	–	–	–	–
7	6	5	4	3	2	1	0
–	–	TC2XC2S		TC1XC1S		TC0XC0S	

This register can only be written if the WPEN bit is cleared in the [TC Write Protection Mode Register](#).

TC0XC0S: External Clock Signal 0 Selection

Value	Name	Description
0	TCLK0	Signal connected to XC0: TCLK0
1	–	Reserved
2	TIOA1	Signal connected to XC0: TIOA1
3	TIOA2	Signal connected to XC0: TIOA2

TC1XC1S: External Clock Signal 1 Selection

Value	Name	Description
0	TCLK1	Signal connected to XC1: TCLK1
1	–	Reserved
2	TIOA0	Signal connected to XC1: TIOA0
3	TIOA2	Signal connected to XC1: TIOA2

TC2XC2S: External Clock Signal 2 Selection

Value	Name	Description
0	TCLK2	Signal connected to XC2: TCLK2
1	–	Reserved
2	TIOA0	Signal connected to XC2: TIOA0
3	TIOA1	Signal connected to XC2: TIOA1

SAMA5D3 SERIES

47.7.15 TC Fault Mode Register

Name:TC_FMR

Address:0xF00100D8 (0), 0xF80140D8 (1)

Access:Read/Write

31	30	29	28	27	26	25	24
–	–	–	–	–	–	–	–
23	22	21	20	19	18	17	16
–	–	–	–	–	–	–	–
15	14	13	12	11	10	9	8
–	–	–	–	–	–	–	–
7	6	5	4	3	2	1	0
–	–	–	–	–	–	ENCF1	ENCF0

This register can only be written if the WPEN bit is cleared in the [TC Write Protection Mode Register](#).

ENCF0: Enable Compare Fault Channel 0

0: Disables the FAULT output source (CPCS flag) from channel 0.

1: Enables the FAULT output source (CPCS flag) from channel 0.

ENCF1: Enable Compare Fault Channel 1

0: Disables the FAULT output source (CPCS flag) from channel 1.

1: Enables the FAULT output source (CPCS flag) from channel 1.

47.7.16 TC Write Protection Mode Register

Name:TC_WPMR

Address:0xF00100E4 (0), 0xF80140E4 (1)

Access:Read/Write

31	30	29	28	27	26	25	24
WPKEY							
23	22	21	20	19	18	17	16
WPKEY							
15	14	13	12	11	10	9	8
WPKEY							
7	6	5	4	3	2	1	0
–	–	–	–	–	–	–	WPEN

WPEN: Write Protection Enable

0: Disables the write protection if WPKEY corresponds to 0x54494D (“TIM” in ASCII).

1: Enables the write protection if WPKEY corresponds to 0x54494D (“TIM” in ASCII).

The Timer Counter clock of the first channel must be enabled to access this register.

See [Section 47.6.16 Register Write Protection](#) for a list of registers that can be write-protected and Timer Counter clock conditions.

WPKEY: Write Protection Key

Value	Name	Description
0x54494D	PASSWD	Writing any other value in this field aborts the write operation of the WPEN bit. Always reads as 0.

48. Pulse Width Modulation Controller (PWM)

48.1 Description

The Pulse Width Modulation Controller (PWM) generates output pulses on 4 channels independently according to parameters defined per channel. Each channel controls two complementary square output waveforms. Characteristics of the output waveforms such as period, duty-cycle, polarity and dead-times (also called dead-bands or non-overlapping times) are configured through the user interface. Each channel selects and uses one of the clocks provided by the clock generator. The clock generator provides several clocks resulting from the division of the PWM peripheral clock.

All accesses to the PWM are made through registers mapped on the peripheral bus. All channels integrate a double buffering system in order to prevent an unexpected output waveform while modifying the period, the duty-cycle or the dead-times.

Channels can be linked together as synchronous channels to be able to update their duty-cycle or dead-times at the same time.

The PWM provides 8 independent comparison units capable of comparing a programmed value to the counter of the synchronous channels (counter of channel 0). These comparisons are intended to generate software interrupts, to trigger pulses on the 2 independent event lines (in order to synchronize ADC conversions with a lot of flexibility independently of the PWM outputs).

PWM outputs can be overridden synchronously or asynchronously to their channel counter.

The PWM provides a fault protection mechanism with 1 fault input, capable to detect a fault condition and to override the PWM outputs asynchronously (outputs forced to '0', '1').

For safety usage, some configuration registers are write-protected.

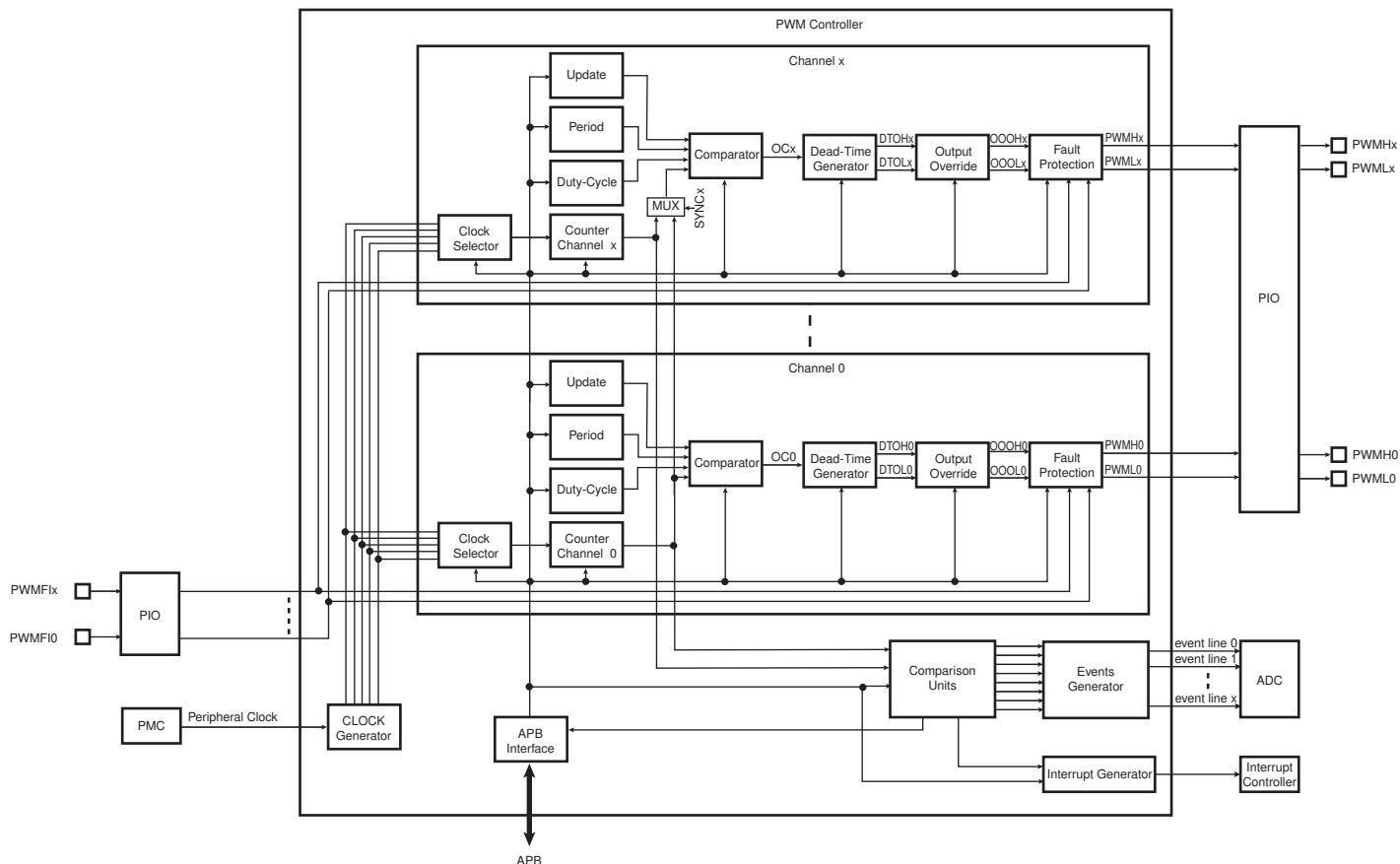
48.2 Embedded Characteristics

- 4 Channels
- Common Clock Generator Providing Thirteen Different Clocks
 - A Modulo n Counter Providing Eleven Clocks
 - Two Independent Linear Dividers Working on Modulo n Counter Outputs
- Independent Channels
 - Independent 16-bit Counter for Each Channel
 - Independent Complementary Outputs with 12-bit Dead-Time Generator (Also Called Dead-Band or Non-Overlapping Time) for Each Channel
 - Independent Enable Disable Command for Each Channel
 - Independent Clock Selection for Each Channel
 - Independent Period, Duty-Cycle and Dead-Time for Each Channel
 - Independent Double Buffering of Period, Duty-Cycle and Dead-Times for Each Channel
 - Independent Programmable Selection of The Output Waveform Polarity for Each Channel
 - Independent Programmable Center- or Left-aligned Output Waveform for Each Channel
 - Independent Output Override for Each Channel
 - Independent Interrupt for Each Channel, at Each Period for Left-Aligned or Center-Aligned Configuration
- 2 two-bit Gray Up/Down Channels for Stepper Motor Control
- Synchronous Channel Mode
 - Synchronous Channels Share the Same Counter
 - Mode to Update the Synchronous Channels Registers after a Programmable Number of Periods
- 2 Independent Events Lines Intended to Synchronize ADC Conversions
 - Programmable delay for Events Lines to delay ADC measurements
- 8 Comparison Units Intended to Generate Interrupts, Pulses on Event Lines
- 1 Programmable Fault Input Providing an Asynchronous Protection of PWM Outputs
 - 4 User Driven through PIO Inputs
 - PMC Driven when Crystal Oscillator Clock Fails
 - ADC Controller Driven through Configurable Comparison Function
 - Timer/Counter Driven through Configurable Comparison Function
- Register Write Protection

SAMA5D3 SERIES

48.3 Block Diagram

Figure 48-1: Pulse Width Modulation Controller Block Diagram



48.4 I/O Lines Description

Each channel outputs two complementary external I/O lines.

Table 48-1: I/O Line Description

Name	Description	Type
PWMHx	PWM Waveform Output High for channel x	Output
PWMLx	PWM Waveform Output Low for channel x	Output
PWMFix	PWM Fault Input x	Input

48.5 Product Dependencies

48.5.1 I/O Lines

The pins used for interfacing the PWM are multiplexed with PIO lines. The programmer must first program the PIO controller to assign the desired PWM pins to their peripheral function. If I/O lines of the PWM are not used by the application, they can be used for other purposes by the PIO controller.

All of the PWM outputs may or may not be enabled. If an application requires only four channels, then only four PIO lines are assigned to PWM outputs.

Table 48-2: I/O Lines

Instance	Signal	I/O Line	Peripheral
PWM	PWMF10	PC28	B
PWM	PWMF11	PC31	B
PWM	PWMF12	PC29	B
PWM	PWMF13	PD16	C
PWM	PWMH0	PA20	B
PWM	PWMH0	PB0	B
PWM	PWMH1	PA22	B
PWM	PWMH1	PB4	B
PWM	PWMH2	PB8	B
PWM	PWMH2	PD5	C
PWM	PWMH3	PB12	B
PWM	PWMH3	PD7	C
PWM	PWML0	PA21	B
PWM	PWML0	PB1	B
PWM	PWML1	PA23	B
PWM	PWML1	PB5	B
PWM	PWML1	PE31	B
PWM	PWML2	PB9	B
PWM	PWML2	PD6	C
PWM	PWML3	PB13	B
PWM	PWML3	PD8	C

48.5.2 Power Management

The PWM is not continuously clocked. The programmer must first enable the PWM clock in the Power Management Controller (PMC) before using the PWM. However, if the application does not require PWM operations, the PWM clock can be stopped when not needed and be restarted later. In this case, the PWM will resume its operations where it left off.

48.5.3 Interrupt Sources

The PWM interrupt line is connected on one of the internal sources of the Interrupt Controller. Using the PWM interrupt requires the Interrupt Controller to be programmed first.

Table 48-3: Peripheral IDs

Instance	ID
PWM	28

48.5.4 Fault Inputs

The PWM has the fault inputs connected to the different modules. Refer to the implementation of these modules within the product for detailed information about the fault generation procedure. The PWM receives faults from

- PIO inputs
- the PMC

SAMA5D3 SERIES

- the ADC controller
- Timer/Counters

Table 48-4: Fault Inputs

Fault Generator	External PWM Fault Input Number	Polarity Level ⁽¹⁾	Fault Input ID
PC28	PWMF10	User-defined	0
PC31	PWMF11	User-defined	1
PC29	PWMF12	User-defined	2
PD16	PWMF13	User-defined	3
Main OSC (PMC)	–	To be configured to 1	4
ADC	–	To be configured to 1	5

Note 1: FPOL field in PWMC_FMR.

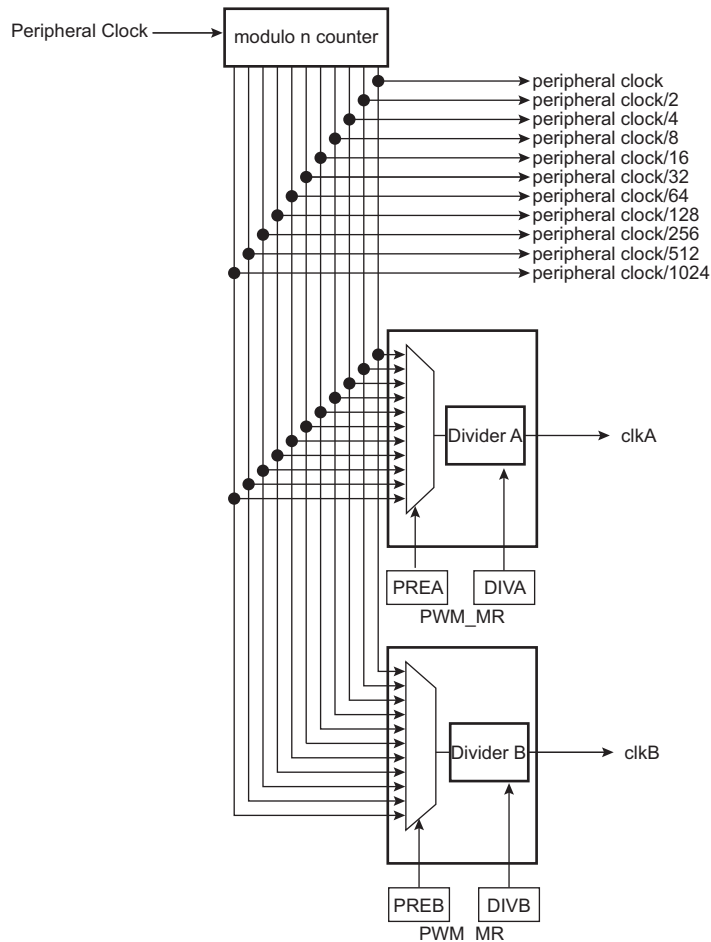
48.6 Functional Description

The PWM controller is primarily composed of a clock generator module and 4 channels.

- Clocked by the peripheral clock, the clock generator module provides 13 clocks.
- Each channel can independently choose one of the clock generator outputs.
- Each channel generates an output waveform with attributes that can be defined independently for each channel through the user interface registers.

48.6.1 PWM Clock Generator

Figure 48-2: Functional View of the Clock Generator Block Diagram



The PWM peripheral clock is divided in the clock generator module to provide different clocks available for all channels. Each channel can independently select one of the divided clocks.

The clock generator is divided into different blocks:

- a modulo n counter which provides 11 clocks: $f_{\text{peripheral clock}}$, $f_{\text{peripheral clock}}/2$, $f_{\text{peripheral clock}}/4$, $f_{\text{peripheral clock}}/8$, $f_{\text{peripheral clock}}/16$, $f_{\text{peripheral clock}}/32$, $f_{\text{peripheral clock}}/64$, $f_{\text{peripheral clock}}/128$, $f_{\text{peripheral clock}}/256$, $f_{\text{peripheral clock}}/512$, $f_{\text{peripheral clock}}/1024$
- two linear dividers (1, 1/2, 1/3, ... 1/255) that provide two separate clocks: clkA and clkB

Each linear divider can independently divide one of the clocks of the modulo n counter. The selection of the clock to be divided is made according to the PREA (PREB) field of the PWM Clock register (PWM_CLK). The resulting clock clkA (clkB) is the clock selected divided by DIVA (DIVB) field value.

After a reset of the PWM controller, DIVA (DIVB) and PREA (PREB) are set to '0'. This implies that after reset clkA (clkB) are turned off.

At reset, all clocks provided by the modulo n counter are turned off except the peripheral clock. This situation is also true when the PWM peripheral clock is turned off through the Power Management Controller.

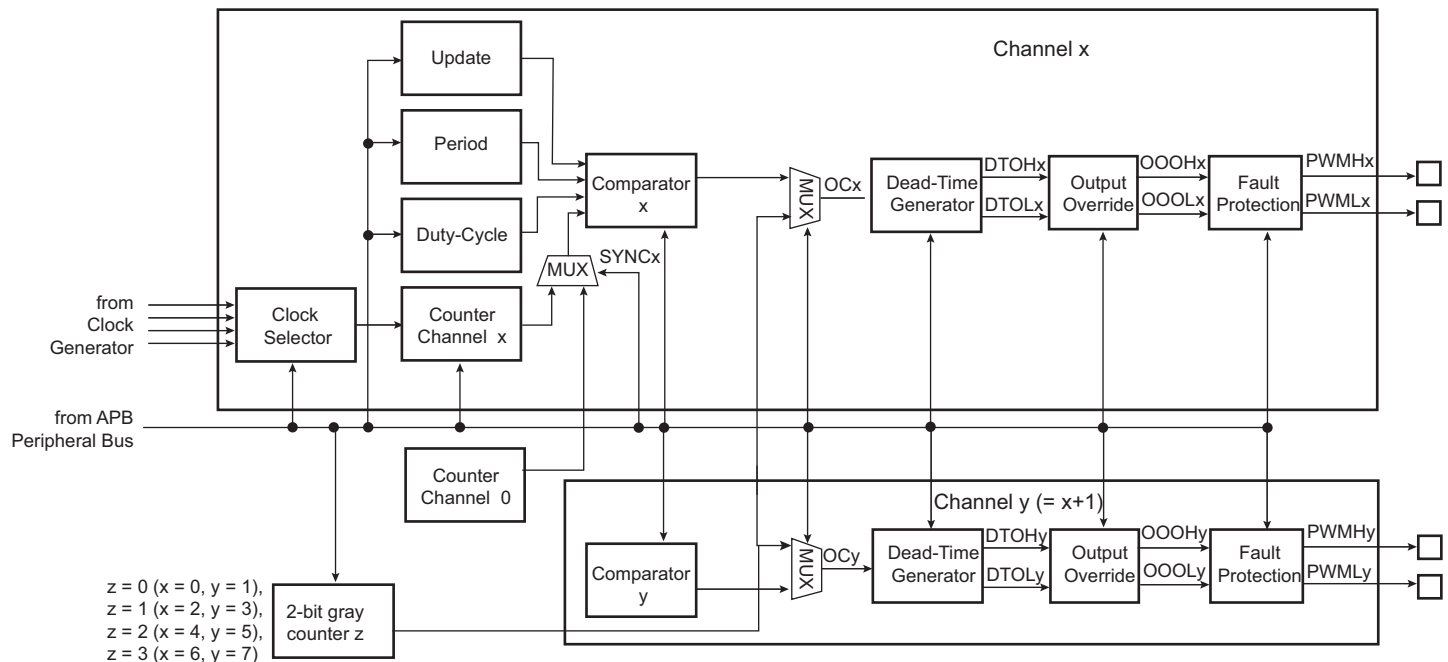
SAMA5D3 SERIES

Caution: Before using the PWM controller, the programmer must first enable the peripheral clock in the Power Management Controller (PMC).

48.6.2 PWM Channel

48.6.2.1 Channel Block Diagram

Figure 48-3: Functional View of the Channel Block Diagram



Each of the 4 channels is composed of six blocks:

- A clock selector which selects one of the clocks provided by the clock generator (described in [Section 48.6.1 PWM Clock Generator](#)).
- A counter clocked by the output of the clock selector. This counter is incremented or decremented according to the channel configuration and comparators matches. The size of the counter is 16 bits.
- A comparator used to compute the OCx output waveform according to the counter value and the configuration. The counter value can be the one of the channel counter or the one of the channel 0 counter according to SYNCx bit in the [PWM Sync Channels Mode Register \(PWM_SCM\)](#).
- A 2-bit configurable gray counter enables the stepper motor driver. One gray counter drives 2 channels.
- A dead-time generator providing two complementary outputs (DTHx/DTOLx) which allows to drive external power control switches safely.
- An output override block that can force the two complementary outputs to a programmed value (OOHx/OOLx).
- An asynchronous fault protection mechanism that has the highest priority to override the two complementary outputs (PWHx/PWLy) in case of fault detection (outputs forced to '0', '1').

48.6.2.2 Comparator

The comparator continuously compares its counter value with the channel period defined by CPRD in the [PWM Channel Period Register \(PWM_CPRDx\)](#) and the duty-cycle defined by CDTY in the [PWM Channel Duty Cycle Register \(PWM_CDTYx\)](#) to generate an output signal OCx accordingly.

The different properties of the waveform of the output OCx are:

- the **clock selection**. The channel counter is clocked by one of the clocks provided by the clock generator described in the previous section. This channel parameter is defined in the CPRE field of the [PWM Channel Mode Register \(PWM_CMRx\)](#). This field is reset at '0'.
- the **waveform period**. This channel parameter is defined in the CPRD field of the PWM_CPRDx register. If the waveform is left-aligned, then the output waveform period depends on the counter source clock and can be calculated: By using the PWM peripheral clock divided by a given prescaler value "X" (where $X = 2^{PREA}$ is 1, 2, 4, 8, 16, 32, 64, 128, 256, 512, or 1024). The resulting period formula is:

$$\frac{(X \times CPRD)}{f_{\text{peripheral clock}}}$$

By using the PWM peripheral clock divided by a given prescaler value “X” (see above) and by either the DIVA or the DIVB divider. The formula becomes, respectively:

$$\frac{(X \times CPRD \times DIVA)}{f_{\text{peripheral clock}}} \text{ or } \frac{(X \times CPRD \times DIVB)}{f_{\text{peripheral clock}}}$$

If the waveform is center-aligned, then the output waveform period depends on the counter source clock and can be calculated: By using the PWM peripheral clock divided by a given prescaler value “X” (where $X = 2^{\text{PREA}}$ is 1, 2, 4, 8, 16, 32, 64, 128, 256, 512, or 1024). The resulting period formula is:

$$\frac{(2 \times X \times CPRD)}{f_{\text{peripheral clock}}}$$

By using the PWM peripheral clock divided by a given prescaler value “X” (see above) and by either the DIVA or the DIVB divider. The formula becomes, respectively:

$$\frac{(2 \times X \times CPRD \times DIVA)}{f_{\text{peripheral clock}}} \text{ or}$$

$$\frac{(2 \times X \times CPRD \times DIVB)}{f_{\text{peripheral clock}}}$$

- the **waveform duty-cycle**. This channel parameter is defined in the CDTY field of the PWM_CDTYx register. If the waveform is left-aligned, then:

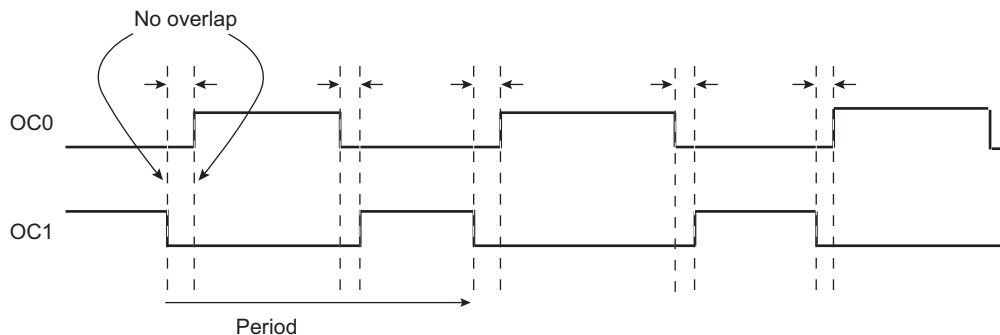
$$\text{duty cycle} = \frac{(\text{period} - 1/f_{\text{channel_x_clock}} \times \text{CDTY})}{\text{period}}$$

If the waveform is center-aligned, then:

$$\text{duty cycle} = \frac{((\text{period}/2) - 1/f_{\text{channel_x_clock}} \times \text{CDTY})}{(\text{period}/2)}$$

- the **waveform polarity**. At the beginning of the period, the signal can be at high or low level. This property is defined in the CPOL bit of PWM_CMRx. By default, the signal starts by a low level. the **waveform alignment**. The output waveform can be left- or center-aligned. Center-aligned waveforms can be used to generate non-overlapped waveforms. This property is defined in the CALG bit of PWM_CMRx. The default mode is left-aligned.

Figure 48-4: Non-Overlapped Center-Aligned Waveforms



Note 1: See [Figure 48-5](#) for a detailed description of center-aligned waveforms.

When center-aligned, the channel counter increases up to CPRD and decreases down to 0. This ends the period.

When left-aligned, the channel counter increases up to CPRD and is reset. This ends the period.

Thus, for the same CPRD value, the period for a center-aligned channel is twice the period for a left-aligned channel.

Waveforms are fixed at 0 when:

- CDTY = CPRD and CPOL = 0
- CDTY = 0 and CPOL = 1

Waveforms are fixed at 1 (once the channel is enabled) when:

SAMA5D3 SERIES

- CDTY = 0 and CPOL = 0
- CDTY = CPRD and CPOL = 1

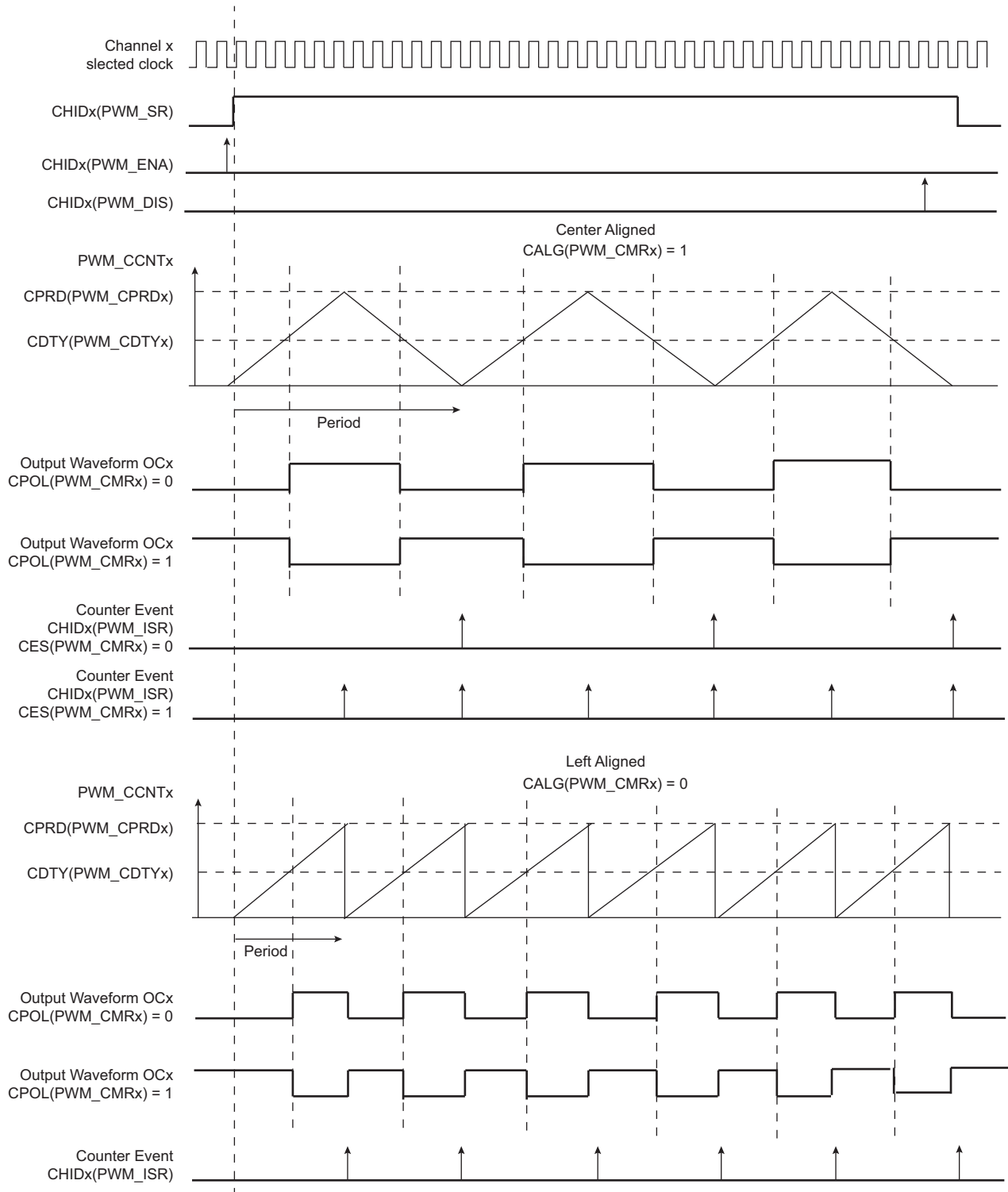
The waveform polarity must be set before enabling the channel. This immediately affects the channel output level.

Modifying CPOL in [PWM Channel Mode Register](#) while the channel is enabled can lead to an unexpected behavior of the device being driven by PWM.

In addition to generating the output signals OCx, the comparator generates interrupts depending on the counter value. When the output waveform is left-aligned, the interrupt occurs at the end of the counter period. When the output waveform is center-aligned, the bit CES of PWM_CM Rx defines when the channel counter interrupt occurs. If CES is set to '0', the interrupt occurs at the end of the counter period. If CES is set to '1', the interrupt occurs at the end of the counter period and at half of the counter period.

[Figure 48-5](#) illustrates the counter interrupts depending on the configuration.

Figure 48-5: Waveform Properties



48.6.2.3 2-bit Gray Up/Down Counter for Stepper Motor

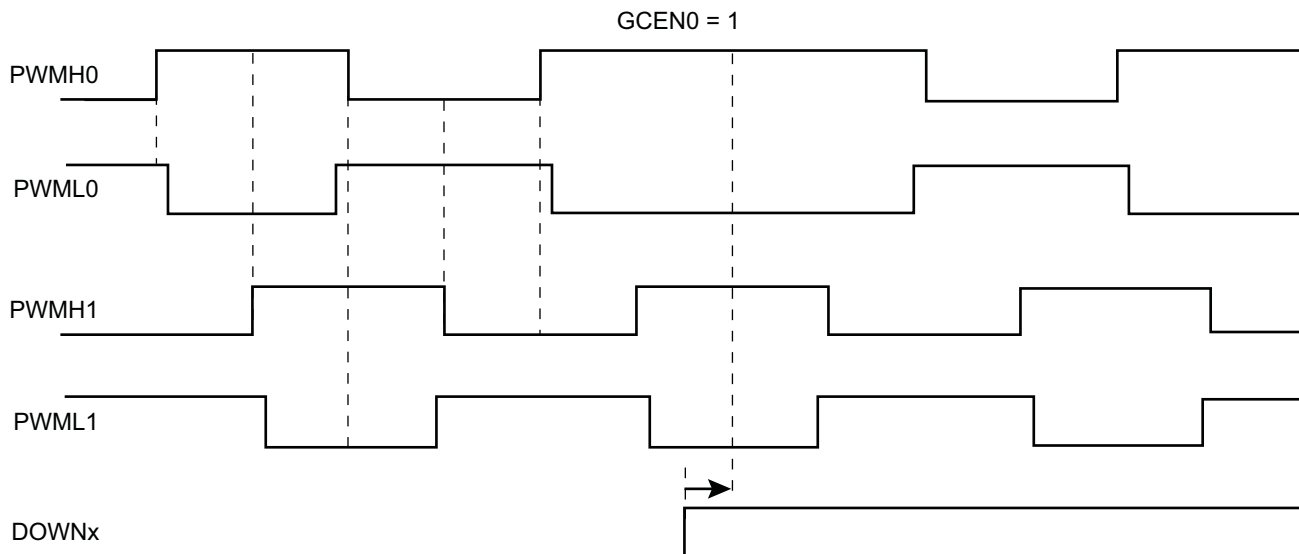
A pair of channels may provide a 2-bit gray count waveform on two outputs. Dead-time generator and other downstream logic can be configured on these channels.

Up or Down Count mode can be configured on-the-fly by means of PWM_SMMR configuration registers.

SAMA5D3 SERIES

When GCEN0 is set to '1', channels 0 and 1 outputs are driven with gray counter.

Figure 48-6: 2-bit Gray Up/Down Counter



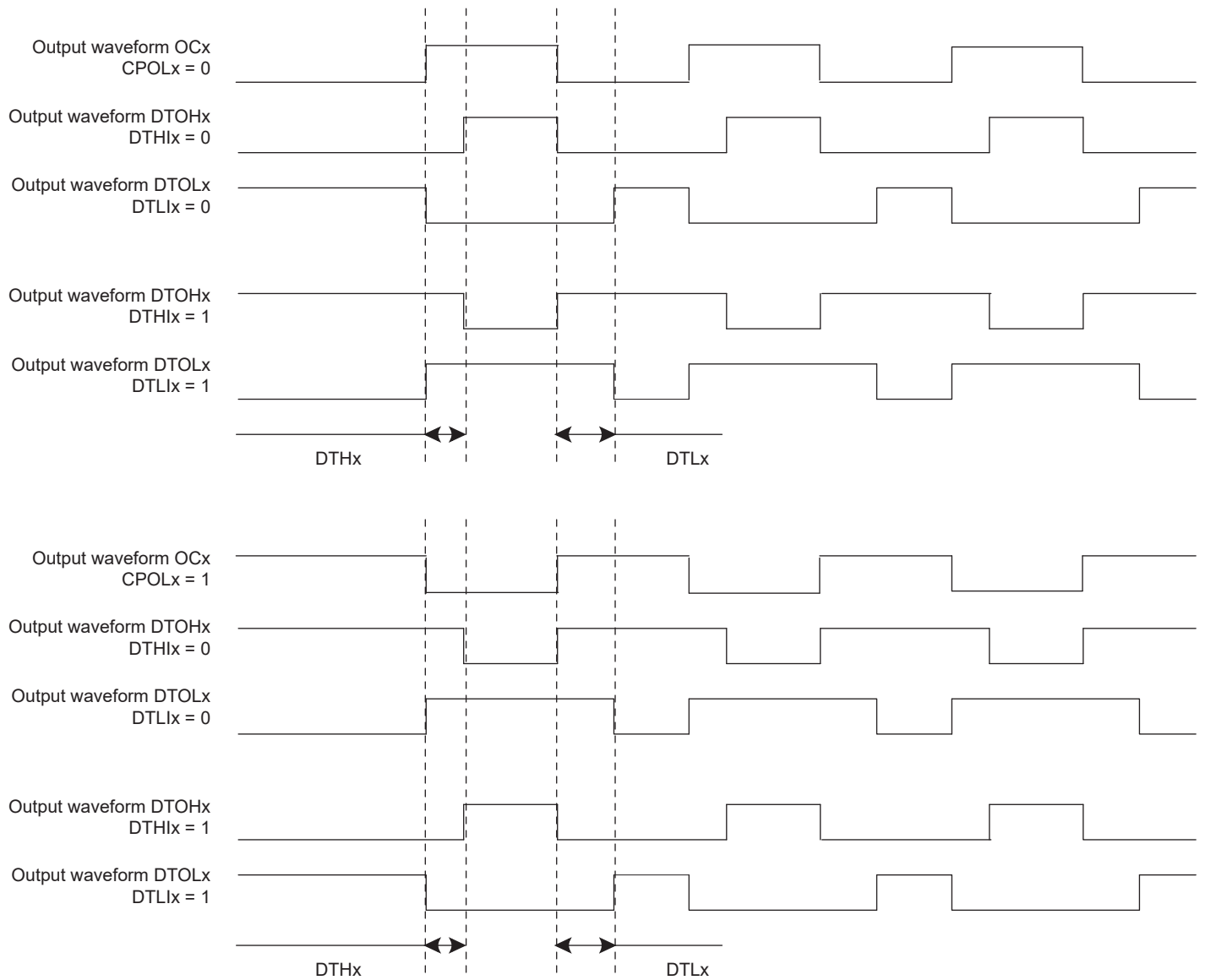
48.6.2.4 Dead-Time Generator

The dead-time generator uses the comparator output OCx to provide the two complementary outputs DTOHx and DTOLx, which allows the PWM macrocell to drive external power control switches safely. When the dead-time generator is enabled by setting the bit DTE to 1 or 0 in the [PWM Channel Mode Register \(PWM_CMRx\)](#), dead-times (also called dead-bands or non-overlapping times) are inserted between the edges of the two complementary outputs DTOHx and DTOLx. Note that enabling or disabling the dead-time generator is allowed only if the channel is disabled.

The dead-time is adjustable by the [PWM Channel Dead Time Register \(PWM_DT_x\)](#). Each output of the dead-time generator can be adjusted separately by DTH and DTL. The dead-time values can be updated synchronously to the PWM period by using the [PWM Channel Dead Time Update Register \(PWM_DTUPD_x\)](#).

The dead-time is based on a specific counter which uses the same selected clock that feeds the channel counter of the comparator. Depending on the edge and the configuration of the dead-time, DTOHx and DTOLx are delayed until the counter has reached the value defined by DTH or DTL. An inverted configuration bit (DTHI and DTLI bit in PWM_CMRx) is provided for each output to invert the dead-time outputs. The following figure shows the waveform of the dead-time generator.

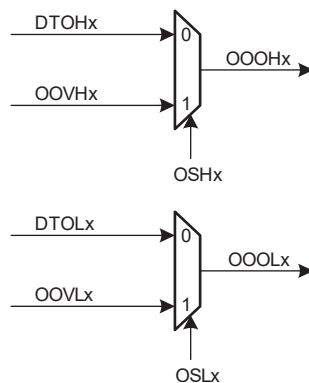
Figure 48-7: Complementary Output Waveforms



48.6.2.5 Output Override

The two complementary outputs DTOHx and DTOLx of the dead-time generator can be forced to a value defined by the software.

Figure 48-8: Override Output Selection



SAMA5D3 SERIES

The fields OSHx and OSLx in the [PWM Output Selection Register](#) (PWM_OS) allow the outputs of the dead-time generator DTOHx and DTOLx to be overridden by the value defined in the fields OOVHx and OOVLx in the [PWM Output Override Value Register](#) (PWM_OOV).

The set registers [PWM Output Selection Set Register](#) (PWM_OSS) and [PWM Output Selection Set Update Register](#) (PWM_OSSUPD) enable the override of the outputs of a channel regardless of other channels. In the same way, the clear registers [PWM Output Selection Clear Register](#) (PWM_OSC) and [PWM Output Selection Clear Update Register](#) (PWM_OSCUPD) disable the override of the outputs of a channel regardless of other channels.

By using buffer registers PWM_OSSUPD and PWM_OSCUPD, the output selection of PWM outputs is done synchronously to the channel counter, at the beginning of the next PWM period.

By using registers PWM_OSS and PWM_OSC, the output selection of PWM outputs is done asynchronously to the channel counter, as soon as the register is written.

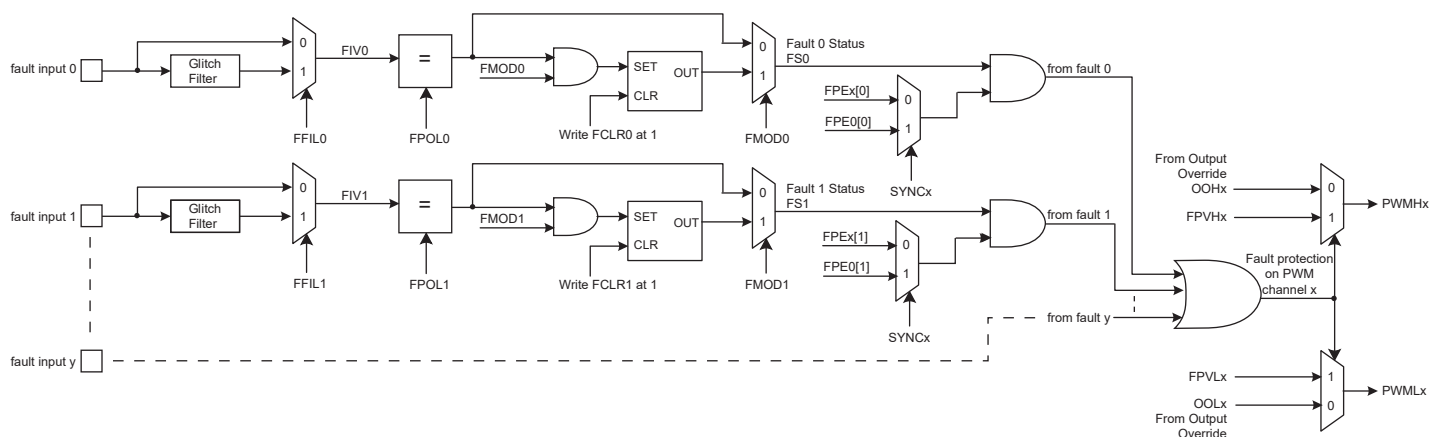
The value of the current output selection can be read in PWM_OS.

While overriding PWM outputs, the channel counters continue to run, only the PWM outputs are forced to user defined values.

48.6.2.6 Fault Protection

One input provides fault protection which can force any of the PWM output pairs to a programmable value. This mechanism has priority over output overriding.

Figure 48-9: Fault Protection



The polarity level of the fault inputs is configured by the FPOL field in the [PWM Fault Mode Register](#) (PWM_FMR). For fault inputs coming from internal peripherals such as ADC or Timer Counter, the polarity level must be FPOL = 1. For fault inputs coming from external GPIO pins the polarity level depends on the user's implementation.

The configuration of the Fault Activation mode (FMOD field in PWM_FMR) depends on the peripheral generating the fault. If the corresponding peripheral does not have "Fault Clear" management, then the FMOD configuration to use must be FMOD = 1, to avoid spurious fault detection. Refer to the corresponding peripheral documentation for details on handling fault generation.

Fault inputs may or may not be glitch-filtered depending on the FFIL field in PWM_FMR. When the filter is activated, glitches on fault inputs with a width inferior to the PWM peripheral clock period are rejected.

A fault becomes active as soon as its corresponding fault input has a transition to the programmed polarity level. If the corresponding bit FMOD is set to '0' in PWM_FMR, the fault remains active as long as the fault input is at this polarity level. If the corresponding FMOD field is set to '1', the fault remains active until the fault input is no longer at this polarity level and until it is cleared by writing the corresponding bit FCLR in the [PWM Fault Clear Register](#) (PWM_FCR). In the [PWM Fault Status Register](#) (PWM_FSR), the field FIV indicates the current level of the fault inputs and the field FIS indicates whether a fault is currently active.

Each fault can be taken into account or not by the fault protection mechanism in each channel. To be taken into account in the channel x, the fault y must be enabled by the bit FPEx[y] in the PWM Fault Protection Enable registers (PWM_FPE1). However, synchronous channels (see [Section 48.6.2.7 Synchronous Channels](#)) do not use their own fault enable bits, but those of the channel 0 (bits FPE0[y]).

The fault protection on a channel is triggered when this channel is enabled and when any one of the faults that are enabled for this channel is active. It can be triggered even if the PWM peripheral clock is not running but only by a fault input that is not glitch-filtered.

When the fault protection is triggered on a channel, the fault protection mechanism resets the counter of this channel and forces the channel outputs to the values defined by the fields FPVHx and FPVLx in the [PWM Fault Protection Value Register](#) (PWM_FPV). The output forcing is made asynchronously to the channel counter.

Caution:

- To prevent any unexpected activation of the status flag FSy in PWM_FSR, the FMOdy bit can be set to '1' only if the FPOLy bit has been previously configured to its final value.
- To prevent any unexpected activation of the Fault Protection on the channel x, the bit FPEx[y] can be set to '1' only if the FPOLy bit has been previously configured to its final value.

If a comparison unit is enabled (see [Section 48.6.3 PWM Comparison Units](#)) and if a fault is triggered in the channel 0, then the comparison cannot match.

As soon as the fault protection is triggered on a channel, an interrupt (different from the interrupt generated at the end of the PWM period) can be generated but only if it is enabled and not masked. The interrupt is reset by reading the interrupt status register, even if the fault which has caused the trigger of the fault protection is kept active.

48.6.2.7 Synchronous Channels

Some channels can be linked together as synchronous channels. They have the same source clock, the same period, the same alignment and are started together. In this way, their counters are synchronized together.

The synchronous channels are defined by the SYNCx bits in the [PWM Sync Channels Mode Register](#) (PWM_SCM). Only one group of synchronous channels is allowed.

When a channel is defined as a synchronous channel, the channel 0 is also automatically defined as a synchronous channel. This is because the channel 0 counter configuration is used by all the synchronous channels.

If a channel x is defined as a synchronous channel, the fields/bits for the channel 0 are used instead of those of channel x:

- CPRE in PWM_CMRO instead of CPRE in PWM_CMRx (same source clock)
- CPRD in PWM_CPRD0 instead of CPRD in PWM_CPRDx (same period)
- CALG in PWM_CMRO instead of CALG in PWM_CMRx (same alignment)

Modifying the fields CPRE, CPRD and CALG of for channels with index greater than 0 has no effect on output waveforms.

Because counters of synchronous channels must start at the same time, they are all enabled together by enabling the channel 0 (by the CHID0 bit in PWM_ENA register). In the same way, they are all disabled together by disabling channel 0 (by the CHID0 bit in PWM_DIS register). However, a synchronous channel x different from channel 0 can be enabled or disabled independently from others (by the CHIDx bit in PWM_ENA and PWM_DIS registers).

Defining a channel as a synchronous channel while it is an asynchronous channel (by writing the bit SYNCx to '1' while it was at '0') is allowed only if the channel is disabled at this time (CHIDx = 0 in PWM_SR). In the same way, defining a channel as an asynchronous channel while it is a synchronous channel (by writing the SYNCx bit to '0' while it was '1') is allowed only if the channel is disabled at this time.

The UPDM field (Update Mode) in the PWM_SCM register selects one of the three methods to update the registers of the synchronous channels:

- Method 1 (UPDM = 0): The period value, the duty-cycle values and the dead-time values must be written by the processor in their respective update registers (respectively PWM_CPRDUPDx, PWM_CDTYUPDx and PWM_DTUPDx). The update is triggered at the next PWM period as soon as the bit UPDULOCK in the [PWM Sync Channels Update Control Register](#) (PWM_SCUC) is set to '1' (see [Method 1: Manual write of duty-cycle values and manual trigger of the update](#)).
- Method 2 (UPDM = 1): The period value, the duty-cycle values, the dead-time values and the update period value must be written by the processor in their respective update registers (respectively PWM_CPRDUPDx, PWM_CDTYUPDx and PWM_DTUPD). The update of the period value and of the dead-time values is triggered at the next PWM period as soon as the bit UPDULOCK in the PWM_SCUC register is set to '1'. The update of the duty-cycle values and the update period value is triggered automatically after an update period defined by the field UPR in the [PWM Sync Channels Update Period Register](#) (PWM_SCUP) (see [Method 2: Manual write of duty-cycle values and automatic trigger of the update](#)).

Table 48-5: Summary of the Update of Registers of Synchronous Channels

Register	UPDM = 0	UPDM = 1
Period Value (PWM_CPRDUPDx)	Write by the processor	
	Update is triggered at the next PWM period as soon as the bit UPDULOCK is set to '1'	
Dead-Time Values (PWM_DTUPDx)	Write by the processor	
	Update is triggered at the next PWM period as soon as the bit UPDULOCK is set to '1'	
Duty-Cycle Values (PWM_CDTYUPDx)	Write by the processor	Write by the processor
	Update is triggered at the next PWM period as soon as the bit UPDULOCK is set to '1'	Update is triggered at the next PWM period as soon as the update period counter has reached the value UPR
Update Period Value (PWM_SCUPUPD)	Not applicable	Write by the processor
	Not applicable	Update is triggered at the next PWM period as soon as the update period counter has reached the value UPR

- Method 1: Manual write of duty-cycle values and manual trigger of the update

In this mode, the update of the period value, the duty-cycle values and the dead-time values must be done by writing in their respective update registers with the processor (respectively PWM_CPRDUPDx, PWM_CDTYUPDx and PWM_DTUPDx).

To trigger the update, the user must use the bit UPDULOCK in the PWM_SCUC register which allows to update synchronously (at the same PWM period) the synchronous channels:

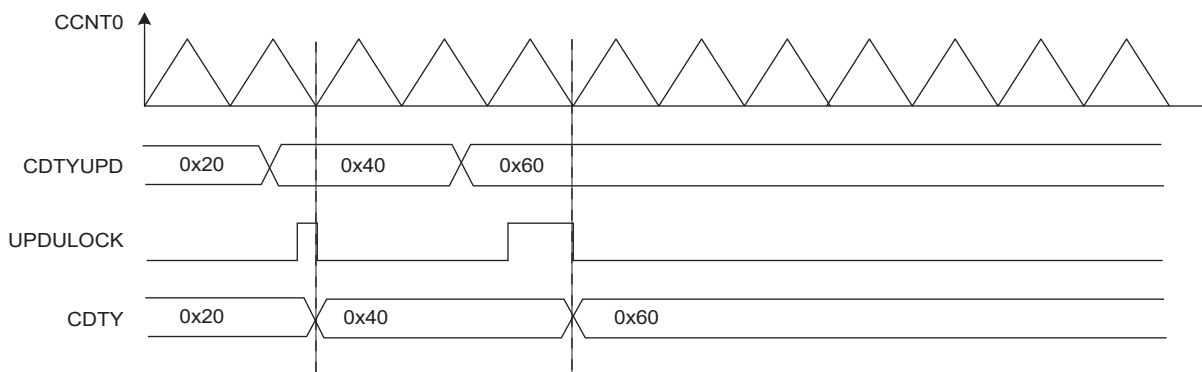
- If the bit UPDULOCK is set to '1', the update is done at the next PWM period of the synchronous channels.
- If the UPDULOCK bit is not set to '1', the update is locked and cannot be performed.

After writing the UPDULOCK bit to '1', it is held at this value until the update occurs, then it is read 0.

Sequence for Method 1:

1. Select the manual write of duty-cycle values and the manual update by setting the UPDM field to '0' in the PWM_SCM register.
2. Define the synchronous channels by the SYNCx bits in the PWM_SCM register.
3. Enable the synchronous channels by writing CHID0 in the PWM_ENA register.
4. If an update of the period value and/or the duty-cycle values and/or the dead-time values is required, write registers that need to be updated (PWM_CPRDUPDx, PWM_CDTYUPDx and PWM_DTUPDx).
5. Set UPDULOCK to '1' in PWM_SCUC.
6. The update of the registers will occur at the beginning of the next PWM period. When the UPDULOCK bit is reset, go to [Step 4.](#) for new values.

Figure 48-10: Method 1 (UPDM = 0)



- Method 2: Manual write of duty-cycle values and automatic trigger of the update

In this mode, the update of the period value, the duty-cycle values, the dead-time values and the update period value must be done by writing in their respective update registers with the processor (respectively PWM_CPRDUPDx, PWM_CDTYUPDx, PWM_DTUPDx and PWM_SCUPUPD).

To trigger the update of the period value and the dead-time values, the user must use the bit UPDULOCK in the PWM_SCUC register, which updates synchronously (at the same PWM period) the synchronous channels:

- If the bit UPDULOCK is set to '1', the update is done at the next PWM period of the synchronous channels.
- If the UPDULOCK bit is not set to '1', the update is locked and cannot be performed.

After writing the UPDULOCK bit to '1', it is held at this value until the update occurs, then it is read 0.

The update of the duty-cycle values and the update period is triggered automatically after an update period.

To configure the automatic update, the user must define a value for the update period by the UPR field in the PWM_SCUP register. The PWM controller waits UPR+1 period of synchronous channels before updating automatically the duty values and the update period value.

The status of the duty-cycle value write is reported in the [PWM Interrupt Status Register 2](#) (PWM_ISR2) by the following flags:

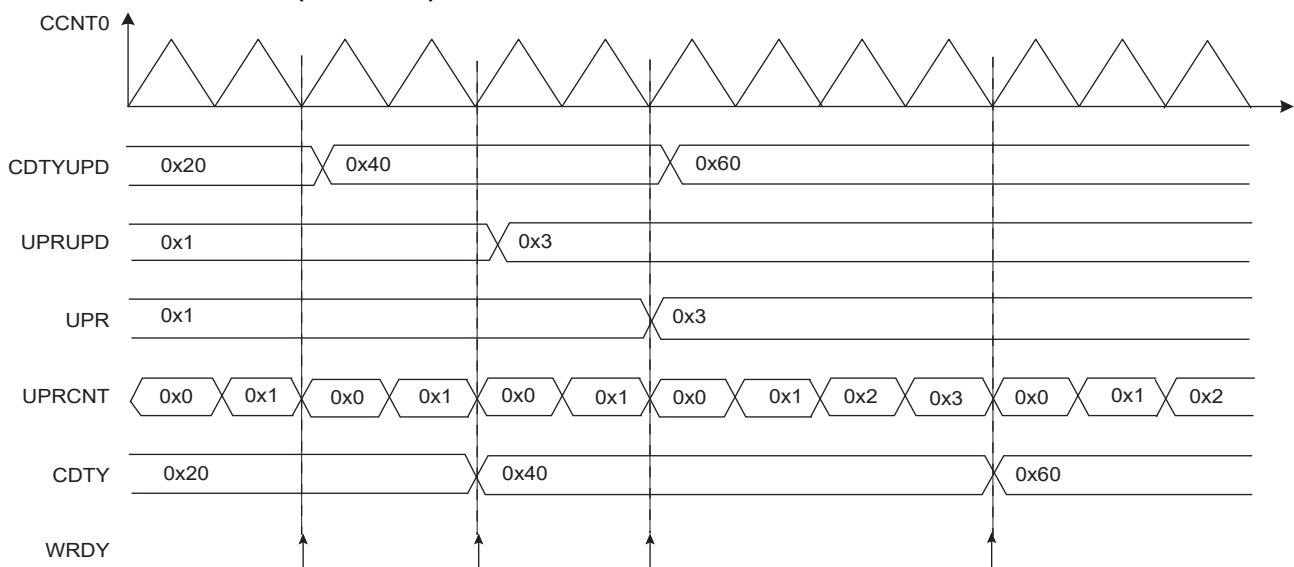
- WRDY: this flag is set to '1' when the PWM Controller is ready to receive new duty-cycle values and a new update period value. It is reset to '0' when the PWM_ISR2 register is read.

Depending on the interrupt mask in the [PWM Interrupt Mask Register 2](#) (PWM_IMR2), an interrupt can be generated by these flags.

Sequence for Method 2:

1. Select the manual write of duty-cycle values and the automatic update by setting the field UPDM to '1' in the PWM_SCM register
2. Define the synchronous channels by the bits SYNCx in the PWM_SCM register.
3. Define the update period by the field UPR in the PWM_SCUP register.
4. Enable the synchronous channels by writing CHID0 in the PWM_ENA register.
5. If an update of the period value and/or of the dead-time values is required, write registers that need to be updated (PWM_CPRDUPDx, PWM_DTUPDx), else go to [Step 8](#).
6. Set UPDULOCK to '1' in PWM_SCUC.
7. The update of these registers will occur at the beginning of the next PWM period. At this moment the bit UPDULOCK is reset, go to [Step 5](#). for new values.
8. If an update of the duty-cycle values and/or the update period is required, check first that write of new update values is possible by polling the flag WRDY (or by waiting for the corresponding interrupt) in PWM_ISR2.
9. Write registers that need to be updated (PWM_CDTYUPDx, PWM_SCUPUPD).
10. The update of these registers will occur at the next PWM period of the synchronous channels when the Update Period is elapsed. Go to [Step 8](#). for new values.

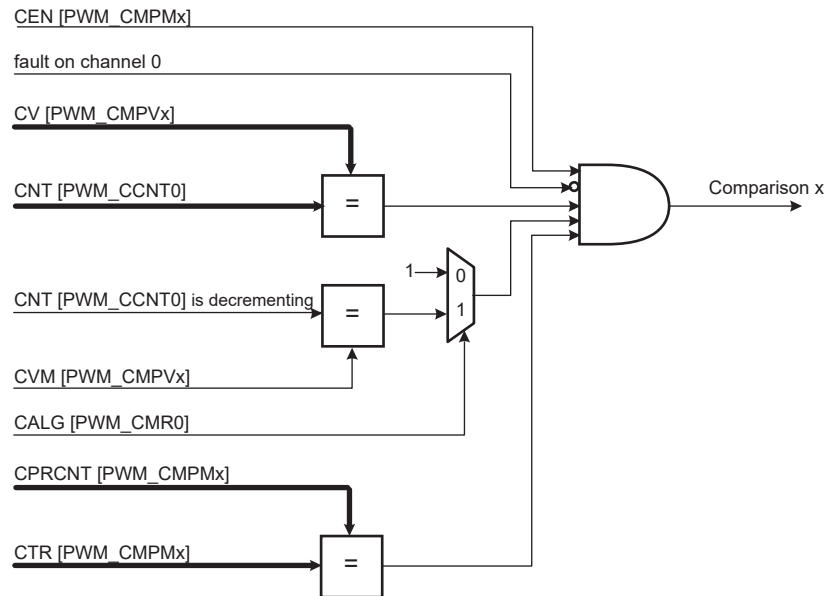
Figure 48-11: Method 2 (UPDM = 1)



48.6.3 PWM Comparison Units

The PWM provides 8 independent comparison units able to compare a programmed value with the current value of the channel 0 counter (which is the channel counter of all synchronous channels, [Section 48.6.2.7 Synchronous Channels](#)). These comparisons are intended to generate pulses on the event lines (used to synchronize ADC, see [Section 48.6.4 PWM Event Lines](#)), to generate software interrupts.

Figure 48-12: Comparison Unit Block Diagram



The comparison x matches when it is enabled by the bit CEN in the [PWM Comparison x Mode Register](#) (PWM_CMPMx for the comparison x) and when the counter of the channel 0 reaches the comparison value defined by the field CV in [PWM Comparison x Value Register](#) (PWM_CMPVx for the comparison x). If the counter of the channel 0 is center-aligned (CALG = 1 in [PWM Channel Mode Register](#)), the bit CVM in PWM_CMPVx defines if the comparison is made when the counter is counting up or counting down (in Left-alignment mode CALG = 0, this bit is useless).

If a fault is active on the channel 0, the comparison is disabled and cannot match (see [Section 48.6.2.6 Fault Protection](#)).

The user can define the periodicity of the comparison x by the fields CTR and CPR in PWM_CMPMx. The comparison is performed periodically once every CPR+1 periods of the counter of the channel 0, when the value of the comparison period counter CPRCNT in PWM_CMPMx reaches the value defined by CTR. CPR is the maximum value of the comparison period counter CPRCNT. If CPR = CTR = 0, the comparison is performed at each period of the counter of the channel 0.

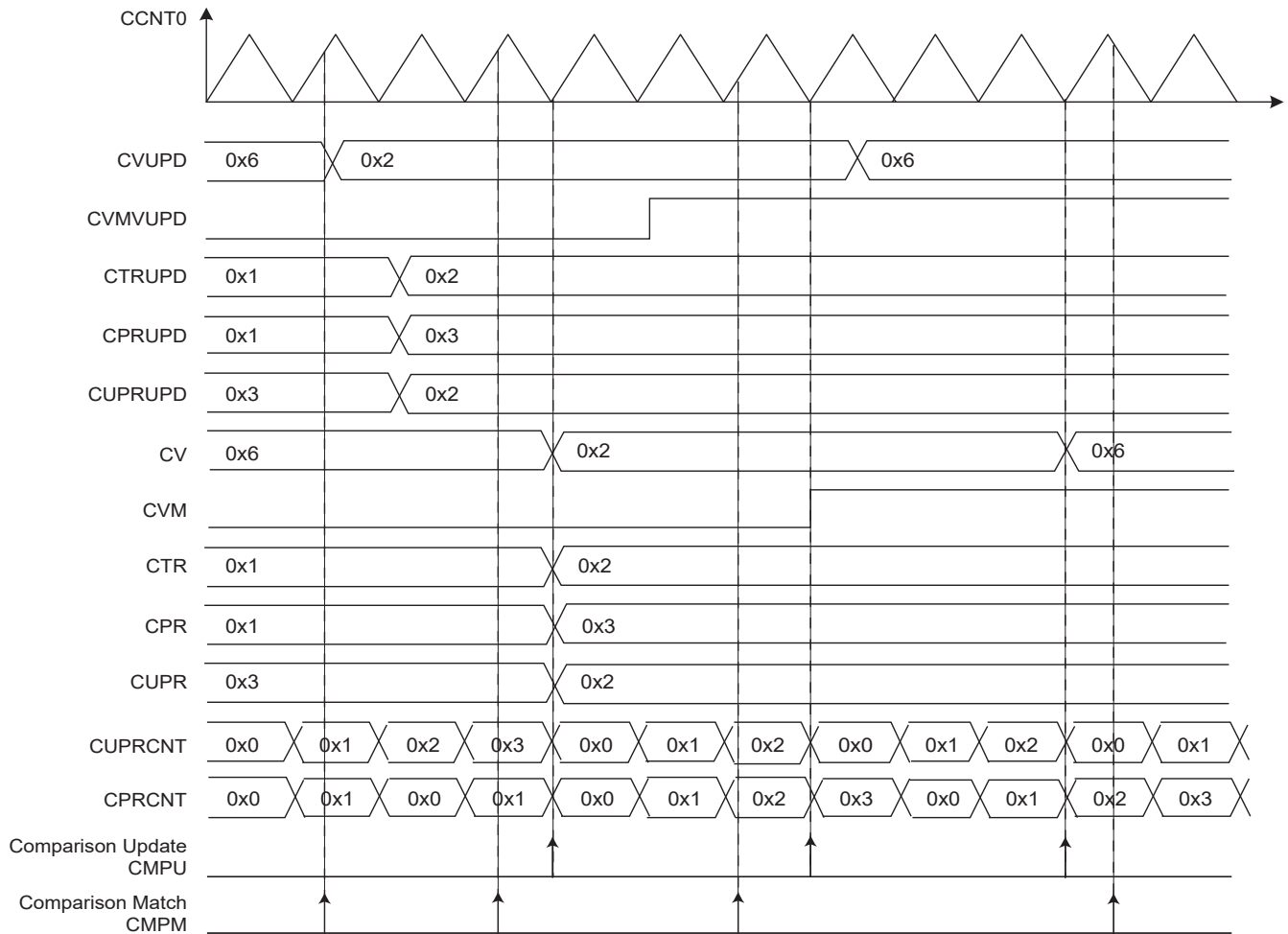
The comparison x configuration can be modified while the channel 0 is enabled by using the [PWM Comparison x Mode Update Register](#) (PWM_CMPMUPDx registers for the comparison x). In the same way, the comparison x value can be modified while the channel 0 is enabled by using the [PWM Comparison x Value Update Register](#) (PWM_CMPVUPDx registers for the comparison x).

The update of the comparison x configuration and the comparison x value is triggered periodically after the comparison x update period. It is defined by the field CUPR in PWM_CMPMx. The comparison unit has an update period counter independent from the period counter to trigger this update. When the value of the comparison update period counter CUPRCNT (in PWM_CMPMx) reaches the value defined by CUPR, the update is triggered. The comparison x update period CUPR itself can be updated while the channel 0 is enabled by using the PWM_CMPMUPDx register.

Caution: The write of PWM_CMPVUPDx must be followed by a write of PWM_CMPMUPDx.

The comparison match and the comparison update can be source of an interrupt, but only if it is enabled and not masked. These interrupts can be enabled by the [PWM Interrupt Enable Register 2](#) and disabled by the [PWM Interrupt Disable Register 2](#). The comparison match interrupt and the comparison update interrupt are reset by reading the [PWM Interrupt Status Register 2](#).

Figure 48-13: Comparison Waveform



48.6.4 PWM Event Lines

The PWM provides 2 independent event lines intended to trigger actions in other peripherals (e.g., for the Analog-to-Digital Converter (ADC)).

A pulse (one cycle of the peripheral clock) is generated on an event line, when at least one of the selected comparisons is matching. The comparisons can be selected or unselected independently by the CSEL bits in the [PWM Event Line x Register](#) (PWM_ELMRx for the Event Line x).

An example of event generation is provided in [Figure 48-15](#).

Figure 48-14: Event Line Block Diagram

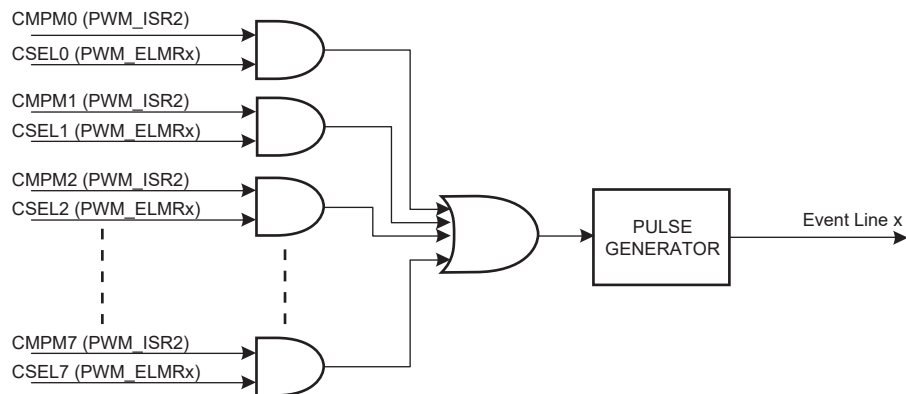
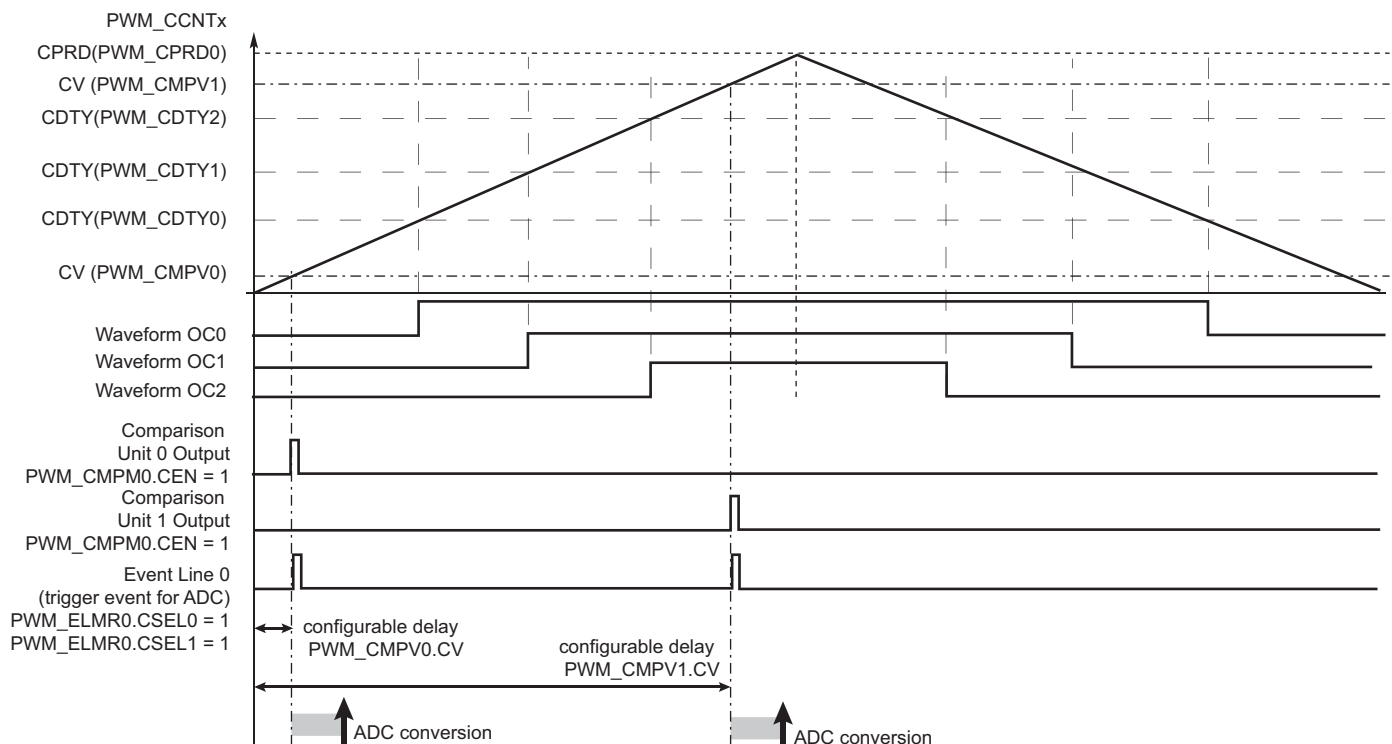


Figure 48-15: Event Line Generation Waveform (Example)



48.6.5 PWM Controller Operations

48.6.5.1 Initialization

Before enabling the channels, they must be configured by the software application as described below:

- Unlock User Interface by writing the WPCMD field in PWM_WPCR.
- Configuration of the clock generator (DIVA, PREA, DIVB, PREB in the PWM_CLK register if required).
- Selection of the clock for each channel (CPRE field in PWM_CMRx)
- Configuration of the waveform alignment for each channel (CALG field in PWM_CMRx)
- Selection of the counter event selection (if CALG = 1) for each channel (CES field in PWM_CMRx)
- Configuration of the output waveform polarity for each channel (CPOL bit in PWM_CMRx)
- Configuration of the period for each channel (CPRD in the PWM_CPRDx register). Writing in PWM_CPRDx register is possible while the channel is disabled. After validation of the channel, the user must use PWM_CPRDUPDx register to update PWM_CPRDx as explained below.
- Configuration of the duty-cycle for each channel (CDTY in the PWM_CDTYx register). Writing in PWM_CDTYx register is possible

while the channel is disabled. After validation of the channel, the user must use PWM_CDTYUPDx register to update PWM_CDTYx as explained below.

- Configuration of the dead-time generator for each channel (DTH and DTL in PWM_DT_x) if enabled (DTE bit in PWM_CM_{Rx}). Writing in the PWM_DT_x register is possible while the channel is disabled. After validation of the channel, the user must use PWM_DTUPD_x register to update PWM_DT_x
- Selection of the synchronous channels (SYNC_x in the PWM_SC_M register)
- Configuration of the Update mode (UPDM in PWM_SC_M register)
- Configuration of the update period (UPR in PWM_SCUP register) if needed
- Configuration of the comparisons (PWM_CMPV_x and PWM_CMPM_x)
- Configuration of the event lines (PWM_ELM_{Rx})
- Configuration of the fault inputs polarity (FPOL in PWM_F_M_R)
- Configuration of the fault protection (FMOD and FFIL in PWM_F_M_R, PWM_FP_V and PWM_FPE1)
- Enable of the interrupts (writing CHID_x and FCHID_x in PWM_IER1, and writing WRDY, UNRE, CPM_{Mx} and CMPU_x in PWM_IER2)
- Enable of the PWM channels (writing CHID_x in the PWM_ENA register)

48.6.5.2 Source Clock Selection Criteria

The large number of source clocks can make selection difficult. The relationship between the value in the [PWM Channel Period Register](#) (PWM_CPRD_x) and the [PWM Channel Duty Cycle Register](#) (PWM_CDTY_x) helps the user select the appropriate clock. The event number written in the Period Register gives the PWM accuracy. The Duty-Cycle quantum cannot be lower than $1/CPRD_x$ value. The higher the value of PWM_CPRD_x, the greater the PWM accuracy.

For example, if the user sets 15 (in decimal) in PWM_CPRD_x, the user is able to set a value from between 1 up to 14 in PWM_CDTY_x. The resulting duty-cycle quantum cannot be lower than 1/15 of the PWM period.

48.6.5.3 Changing the Duty-Cycle, the Period and the Dead-Times

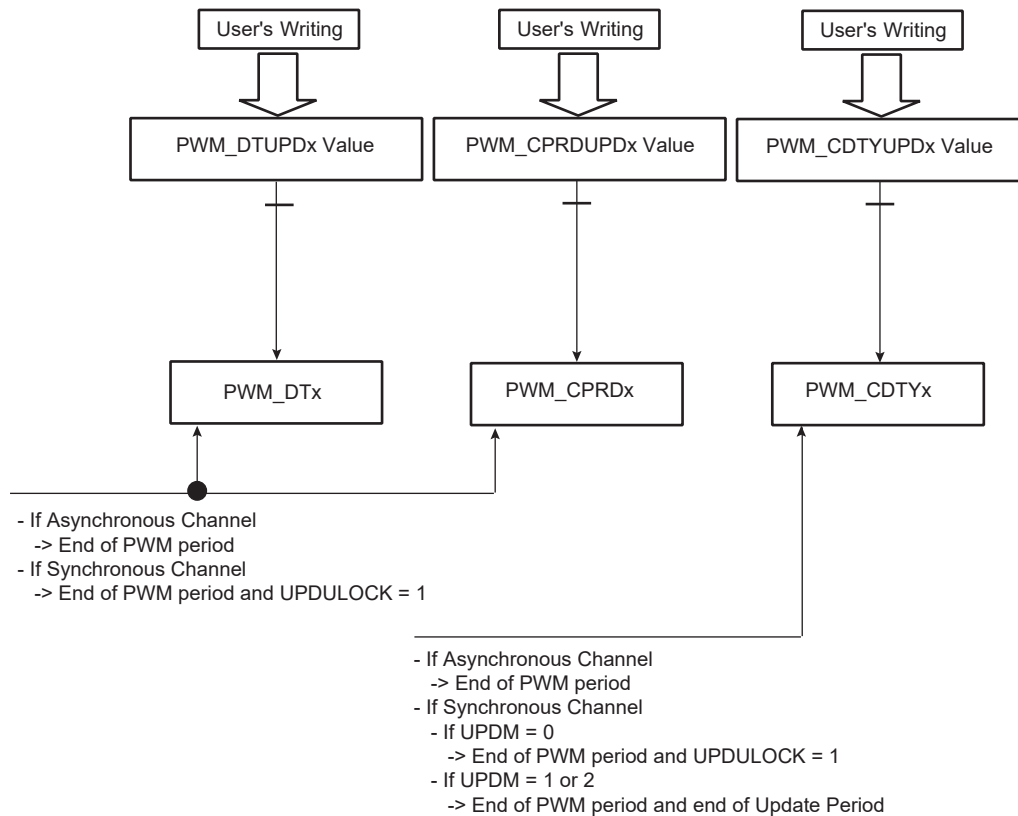
It is possible to modulate the output waveform duty-cycle, period and dead-times.

To prevent unexpected output waveform, the user must use the [PWM Channel Duty Cycle Update Register](#) (PWM_CDTYUPD_x), the [PWM Channel Period Update Register](#) (PWM_CPRDUPD_x) and the [PWM Channel Dead Time Update Register](#) (PWM_DTUPD_x) to change waveform parameters while the channel is still enabled.

- If the channel is an asynchronous channel (SYNC_x = 0 in [PWM Sync Channels Mode Register](#) (PWM_SC_M)), these registers hold the new period, duty-cycle and dead-times values until the end of the current PWM period and update the values for the next period.
- If the channel is a synchronous channel and update method 0 is selected (SYNC_x = 1 and UPDM = 0 in PWM_SC_M register), these registers hold the new period, duty-cycle and dead-times values until the bit UPDULOCK is written at '1' (in [PWM Sync Channels Update Control Register](#) (PWM_SCUC)) and the end of the current PWM period, then update the values for the next period.
- If the channel is a synchronous channel and update method 1 or 2 is selected (SYNC_x = 1 and UPDM = 1 or 2 in PWM_SC_M register):
 - registers PWM_CPRDUPD_x and PWM_DTUPD_x hold the new period and dead-times values until the bit UPDULOCK is written at '1' (in PWM_SCUC) and the end of the current PWM period, then update the values for the next period.
 - register PWM_CDTYUPD_x holds the new duty-cycle value until the end of the update period of synchronous channels (when UPRCNT is equal to UPR in [PWM Sync Channels Update Period Register](#) (PWM_SCUP)) and the end of the current PWM period, then updates the value for the next period.

Note: If the update registers PWM_CDTYUPD_x, PWM_CPRDUPD_x and PWM_DTUPD_x are written several times between two updates, only the last written value is taken into account.

Figure 48-16: Synchronized Period, Duty-Cycle and Dead-Time Update



48.6.5.4 Changing the Update Period of Synchronous Channels

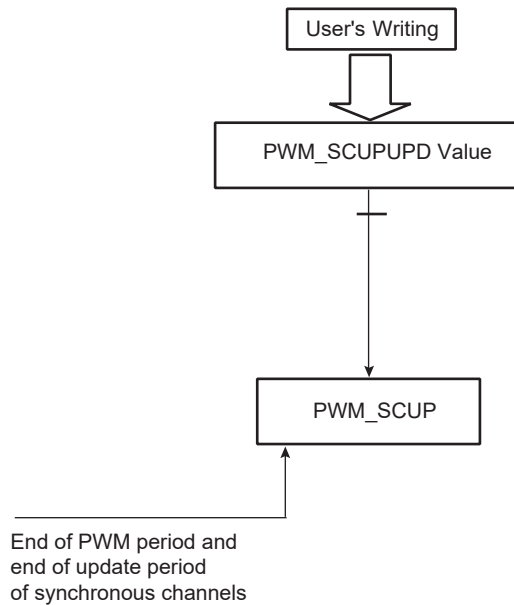
It is possible to change the update period of synchronous channels while they are enabled. See [Method 2: Manual write of duty-cycle values and automatic trigger of the update](#)

To prevent an unexpected update of the synchronous channels registers, the user must use the [PWM Sync Channels Update Period Update Register](#) (`PWM_SCUPUPD`) to change the update period of synchronous channels while they are still enabled. This register holds the new value until the end of the update period of synchronous channels (when `UPRCNT` is equal to `UPR` in `PWM_SCUP`) and the end of the current PWM period, then updates the value for the next period.

Note: If the update register `PWM_SCUPUPD` is written several times between two updates, only the last written value is taken into account.

Note: Changing the update period does make sense only if there is one or more synchronous channels and if the update method 1 or 2 is selected (`UPDM = 1` or `2` in [PWM Sync Channels Mode Register](#)).

Figure 48-17: Synchronized Update of Update Period Value of Synchronous Channels



48.6.5.5 Changing the Comparison Value and the Comparison Configuration

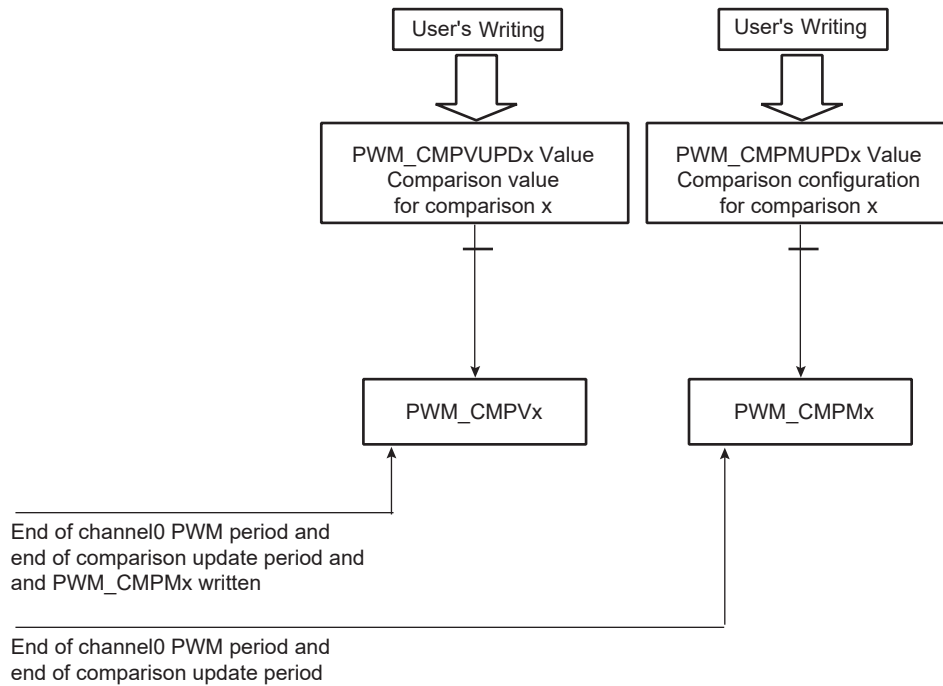
It is possible to change the comparison values and the comparison configurations while the channel 0 is enabled (see [Section 48.6.3 PWM Comparison Units](#)).

To prevent unexpected comparison match, the user must use the [PWM Comparison x Value Update Register \(PWM_CMPVUPDx\)](#) and the [PWM Comparison x Mode Update Register \(PWM_CMPMUPDx\)](#) to change, respectively, the comparison values and the comparison configurations while the channel 0 is still enabled. These registers hold the new values until the end of the comparison update period (when CUPRCNT is equal to CUPR in [PWM Comparison x Mode Register \(PWM_CMPMx\)](#)) and the end of the current PWM period, then update the values for the next period.

Caution: The write of the register PWM_CMPVUPDx must be followed by a write of the register PWM_CMPMUPDx.

Note: If the update registers PWM_CMPVUPDx and PWM_CMPMUPDx are written several times between two updates, only the last written value are taken into account.

Figure 48-18: Synchronized Update of Comparison Values and Configurations



48.6.5.6 Interrupt Sources

Depending on the interrupt mask in PWM_IMR1 and PWM_IMR2, an interrupt can be generated at the end of the corresponding channel period (CHIDx in the PWM Interrupt Status Register 1 (PWM_ISR1)), after a fault event (FCHIDx in PWM_ISR1), after a comparison match (CMPMx in PWM_ISR2), after a comparison update (CMPUx in PWM_ISR2) or according to the Transfer mode of the synchronous channels (WRDY and UNRE in PWM_ISR2).

If the interrupt is generated by the flags CHIDx or FCHIDx, the interrupt remains active until a read operation in PWM_ISR1 occurs.

If the interrupt is generated by the flags WRDY or UNRE or CMPMx or CMPUx, the interrupt remains active until a read operation in PWM_ISR2 occurs.

A channel interrupt is enabled by setting the corresponding bit in PWM_IER1 and PWM_IER2. A channel interrupt is disabled by setting the corresponding bit in PWM_IDR1 and PWM_IDR2.

48.6.6 Register Write Protection

To prevent any single software error that may corrupt PWM behavior, the registers listed below can be write-protected by writing the field WPCMD in the [PWM Write Protection Control Register](#) (PWM_WPCR). They are divided into six groups:

- Register group 0:
 - [PWM Clock Register](#)
- Register group 1:
 - [PWM Disable Register](#)
- Register group 2:
 - [PWM Sync Channels Mode Register](#)
 - [PWM Channel Mode Register](#)
 - [PWM Stepper Motor Mode Register](#)
- Register group 3:
 - [PWM Channel Period Register](#)
 - [PWM Channel Period Update Register](#)
- Register group 4:
 - [PWM Channel Dead Time Register](#)
 - [PWM Channel Dead Time Update Register](#)
- Register group 5:
 - [PWM Fault Mode Register](#)
 - [PWM Fault Protection Value Register](#)

There are two types of write protection:

- SW write protection—can be enabled or disabled by software
- HW write protection—can be enabled by software but only disabled by a hardware reset of the PWM controller

Both types of write protection can be applied independently to a particular register group by means of the WPCMD and WPRGx fields in PWM_WPCR. If at least one type of write protection is active, the register group is write-protected. The value of field WPCMD defines the action to be performed:

- 0: Disables SW write protection of the register groups of which the bit WPRGx is at '1'
- 1: Enables SW write protection of the register groups of which the bit WPRGx is at '1'
- 2: Enables HW write protection of the register groups of which the bit WPRGx is at '1'

At any time, the user can determine whether SW or HW write protection is active in a particular register group by the fields WPSWS and WPHWS in the [PWM Write Protection Status Register](#) (PWM_WPSR).

If a write access to a write-protected register is detected, the WPVS flag in PWM_WPSR is set and the field WPVSRC indicates the register in which the write access has been attempted.

The WPVS and WPVSRC fields are automatically cleared after reading PWM_WPSR.

SAMA5D3 SERIES

48.7 Pulse Width Modulation Controller (PWM) User Interface

Table 48-6: Register Mapping

Offset	Register	Name	Access	Reset
0x00	PWM Clock Register	PWM_CLK	Read/Write	0x0
0x04	PWM Enable Register	PWM_ENA	Write-only	–
0x08	PWM Disable Register	PWM_DIS	Write-only	–
0x0C	PWM Status Register	PWM_SR	Read-only	0x0
0x10	PWM Interrupt Enable Register 1	PWM_IER1	Write-only	–
0x14	PWM Interrupt Disable Register 1	PWM_IDR1	Write-only	–
0x18	PWM Interrupt Mask Register 1	PWM_IMR1	Read-only	0x0
0x1C	PWM Interrupt Status Register 1	PWM_ISR1	Read-only	0x0
0x20	PWM Sync Channels Mode Register	PWM_SCM	Read/Write	0x0
0x24	Reserved	–	–	–
0x28	PWM Sync Channels Update Control Register	PWM_SCUC	Read/Write	0x0
0x2C	PWM Sync Channels Update Period Register	PWM_SCUP	Read/Write	0x0
0x30	PWM Sync Channels Update Period Update Register	PWM_SCUPUPD	Write-only	–
0x34	PWM Interrupt Enable Register 2	PWM_IER2	Write-only	–
0x38	PWM Interrupt Disable Register 2	PWM_IDR2	Write-only	–
0x3C	PWM Interrupt Mask Register 2	PWM_IMR2	Read-only	0x0
0x40	PWM Interrupt Status Register 2	PWM_ISR2	Read-only	0x0
0x44	PWM Output Override Value Register	PWM_OOV	Read/Write	0x0
0x48	PWM Output Selection Register	PWM_OS	Read/Write	0x0
0x4C	PWM Output Selection Set Register	PWM_OSS	Write-only	–
0x50	PWM Output Selection Clear Register	PWM_OSC	Write-only	–
0x54	PWM Output Selection Set Update Register	PWM_OSSUPD	Write-only	–
0x58	PWM Output Selection Clear Update Register	PWM_OSCUPD	Write-only	–
0x5C	PWM Fault Mode Register	PWM_FMR	Read/Write	0x0
0x60	PWM Fault Status Register	PWM_FSR	Read-only	0x0
0x64	PWM Fault Clear Register	PWM_FCR	Write-only	–
0x68	PWM Fault Protection Value Register	PWM_FPV	Read/Write	0x0
0x6C	PWM Fault Protection Enable Register	PWM_FPE	Read/Write	0x0
0x70–0x78	Reserved	–	–	–
0x7C	PWM Event Line 0 Mode Register	PWM_ELMR0	Read/Write	0x0
0x80	PWM Event Line 1 Mode Register	PWM_ELMR1	Read/Write	0x0
0x84–0x9C	Reserved	–	–	–
0xA0–0xAC	Reserved	–	–	–
0xB0	PWM Stepper Motor Mode Register	PWM_SMMR	Read/Write	0x0
0xB4–0xBC	Reserved	–	–	–

Table 48-6: Register Mapping (Continued)

Offset	Register	Name	Access	Reset
0xC0–0xE0	Reserved	–	–	–
0xE4	PWM Write Protection Control Register	PWM_WPCR	Write-only	–
0xE8	PWM Write Protection Status Register	PWM_WPSR	Read-only	0x0
0xEC–0xFC	Reserved	–	–	–
0x130	PWM Comparison 0 Value Register	PWM_CMPV0	Read/Write	0x0
0x134	PWM Comparison 0 Value Update Register	PWM_CMPVUPD0	Write-only	–
0x138	PWM Comparison 0 Mode Register	PWM_CMPM0	Read/Write	0x0
0x13C	PWM Comparison 0 Mode Update Register	PWM_CMPMUPD0	Write-only	–
0x140	PWM Comparison 1 Value Register	PWM_CMPV1	Read/Write	0x0
0x144	PWM Comparison 1 Value Update Register	PWM_CMPVUPD1	Write-only	–
0x148	PWM Comparison 1 Mode Register	PWM_CMPM1	Read/Write	0x0
0x14C	PWM Comparison 1 Mode Update Register	PWM_CMPMUPD1	Write-only	–
0x150	PWM Comparison 2 Value Register	PWM_CMPV2	Read/Write	0x0
0x154	PWM Comparison 2 Value Update Register	PWM_CMPVUPD2	Write-only	–
0x158	PWM Comparison 2 Mode Register	PWM_CMPM2	Read/Write	0x0
0x15C	PWM Comparison 2 Mode Update Register	PWM_CMPMUPD2	Write-only	–
0x160	PWM Comparison 3 Value Register	PWM_CMPV3	Read/Write	0x0
0x164	PWM Comparison 3 Value Update Register	PWM_CMPVUPD3	Write-only	–
0x168	PWM Comparison 3 Mode Register	PWM_CMPM3	Read/Write	0x0
0x16C	PWM Comparison 3 Mode Update Register	PWM_CMPMUPD3	Write-only	–
0x170	PWM Comparison 4 Value Register	PWM_CMPV4	Read/Write	0x0
0x174	PWM Comparison 4 Value Update Register	PWM_CMPVUPD4	Write-only	–
0x178	PWM Comparison 4 Mode Register	PWM_CMPM4	Read/Write	0x0
0x17C	PWM Comparison 4 Mode Update Register	PWM_CMPMUPD4	Write-only	–
0x180	PWM Comparison 5 Value Register	PWM_CMPV5	Read/Write	0x0
0x184	PWM Comparison 5 Value Update Register	PWM_CMPVUPD5	Write-only	–
0x188	PWM Comparison 5 Mode Register	PWM_CMPM5	Read/Write	0x0
0x18C	PWM Comparison 5 Mode Update Register	PWM_CMPMUPD5	Write-only	–
0x190	PWM Comparison 6 Value Register	PWM_CMPV6	Read/Write	0x0
0x194	PWM Comparison 6 Value Update Register	PWM_CMPVUPD6	Write-only	–
0x198	PWM Comparison 6 Mode Register	PWM_CMPM6	Read/Write	0x0
0x19C	PWM Comparison 6 Mode Update Register	PWM_CMPMUPD6	Write-only	–
0x1A0	PWM Comparison 7 Value Register	PWM_CMPV7	Read/Write	0x0
0x1A4	PWM Comparison 7 Value Update Register	PWM_CMPVUPD7	Write-only	–
0x1A8	PWM Comparison 7 Mode Register	PWM_CMPM7	Read/Write	0x0
0x1AC	PWM Comparison 7 Mode Update Register	PWM_CMPMUPD7	Write-only	–

SAMA5D3 SERIES

Table 48-6: Register Mapping (Continued)

Offset	Register	Name	Access	Reset
0x1B0–0x1FC	Reserved	–	–	–
0x200 + ch_num * 0x20 + 0x00	PWM Channel Mode Register ⁽¹⁾	PWM_CMR	Read/Write	0x0
0x200 + ch_num * 0x20 + 0x04	PWM Channel Duty Cycle Register ⁽¹⁾	PWM_CDTY	Read/Write	0x0
0x200 + ch_num * 0x20 + 0x08	PWM Channel Duty Cycle Update Register ⁽¹⁾	PWM_CDTYUPD	Write-only	–
0x200 + ch_num * 0x20 + 0x0C	PWM Channel Period Register ⁽¹⁾	PWM_CPRD	Read/Write	0x0
0x200 + ch_num * 0x20 + 0x10	PWM Channel Period Update Register ⁽¹⁾	PWM_CPRDUPD	Write-only	–
0x200 + ch_num * 0x20 + 0x14	PWM Channel Counter Register ⁽¹⁾	PWM_CCNT	Read-only	0x0
0x200 + ch_num * 0x20 + 0x18	PWM Channel Dead Time Register ⁽¹⁾	PWM_DT	Read/Write	0x0
0x200 + ch_num * 0x20 + 0x1C	PWM Channel Dead Time Update Register ⁽¹⁾	PWM_DTUPD	Write-only	–

Note 1: Some registers are indexed with “ch_num” index ranging from 0 to 3.

48.7.1 PWM Clock Register

Name: PWM_CLK

Address: 0xF002C000

Access: Read/Write

31	30	29	28	27	26	25	24
–	–	–	–	PREB			
23	22	21	20	19	18	17	16
DIVB							
15	14	13	12	11	10	9	8
–	–	–	–	PREA			
7	6	5	4	3	2	1	0
DIVA							

This register can only be written if bits WPSWS0 and WPHWS0 are cleared in the [PWM Write Protection Status Register](#).

DIVA: CLKA Divide Factor

Value	Name	Description
0	CLKA_POFF	CLKA clock is turned off
1	PREA	CLKA clock is clock selected by PREA
2–255	PREA_DIV	CLKA clock is clock selected by PREA divided by DIVA factor

DIVB: CLKB Divide Factor

Value	Name	Description
0	CLKB_POFF	CLKB clock is turned off
1	PREB	CLKB clock is clock selected by PREB
2–255	PREB_DIV	CLKB clock is clock selected by PREB divided by DIVB factor

PREA: CLKA Source Clock Selection

Value	Name	Description
0	CLK	Peripheral clock
1	CLK_DIV2	Peripheral clock/2
2	CLK_DIV4	Peripheral clock/4
3	CLK_DIV8	Peripheral clock/8
4	CLK_DIV16	Peripheral clock/16
5	CLK_DIV32	Peripheral clock/32
6	CLK_DIV64	Peripheral clock/64
7	CLK_DIV128	Peripheral clock/128
8	CLK_DIV256	Peripheral clock/256
9	CLK_DIV512	Peripheral clock/512
10	CLK_DIV1024	Peripheral clock/1024
Other	–	Reserved

SAMA5D3 SERIES

PREB: CLKB Source Clock Selection

Value	Name	Description
0	CLK	Peripheral clock
1	CLK_DIV2	Peripheral clock/2
2	CLK_DIV4	Peripheral clock/4
3	CLK_DIV8	Peripheral clock/8
4	CLK_DIV16	Peripheral clock/16
5	CLK_DIV32	Peripheral clock/32
6	CLK_DIV64	Peripheral clock/64
7	CLK_DIV128	Peripheral clock/128
8	CLK_DIV256	Peripheral clock/256
9	CLK_DIV512	Peripheral clock/512
10	CLK_DIV1024	Peripheral clock/1024
Other	–	Reserved

48.7.2 PWM Enable Register

Name:PWM_ENA

Address:0xF002C004

Access:Write-only

31	30	29	28	27	26	25	24
–	–	–	–	–	–	–	–
23	22	21	20	19	18	17	16
–	–	–	–	–	–	–	–
15	14	13	12	11	10	9	8
–	–	–	–	–	–	–	–
7	6	5	4	3	2	1	0
–	–	–	–	CHID3	CHID2	CHID1	CHID0

CHIDx: Channel ID

0: No effect.

1: Enable PWM output for channel x.

SAMA5D3 SERIES

48.7.3 PWM Disable Register

Name:PWM_DIS

Address:0xF002C008

Access:Write-only

31	30	29	28	27	26	25	24
–	–	–	–	–	–	–	–
23	22	21	20	19	18	17	16
–	–	–	–	–	–	–	–
15	14	13	12	11	10	9	8
–	–	–	–	–	–	–	–
7	6	5	4	3	2	1	0
–	–	–	–	CHID3	CHID2	CHID1	CHID0

This register can only be written if bits WPSWS1 and WPHWS1 are cleared in the [PWM Write Protection Status Register](#).

CHIDx: Channel ID

0: No effect.

1: Disable PWM output for channel x.

48.7.4 PWM Status Register

Name:PWM_SR

Address:0xF002C00C

Access:Read-only

31	30	29	28	27	26	25	24
–	–	–	–	–	–	–	–
23	22	21	20	19	18	17	16
–	–	–	–	–	–	–	–
15	14	13	12	11	10	9	8
–	–	–	–	–	–	–	–
7	6	5	4	3	2	1	0
–	–	–	–	CHID3	CHID2	CHID1	CHID0

CHIDx: Channel ID

0: PWM output for channel x is disabled.

1: PWM output for channel x is enabled.

SAMA5D3 SERIES

48.7.5 PWM Interrupt Enable Register 1

Name: PWM_IER1

Address: 0xF002C010

Access: Write-only

31	30	29	28	27	26	25	24
–	–	–	–	–	–	–	–
23	22	21	20	19	18	17	16
–	–	–	–	FCHID3	FCHID2	FCHID1	FCHID0
15	14	13	12	11	10	9	8
–	–	–	–	–	–	–	–
7	6	5	4	3	2	1	0
–	–	–	–	CHID3	CHID2	CHID1	CHID0

CHIDx: Counter Event on Channel x Interrupt Enable

FCHIDx: Fault Protection Trigger on Channel x Interrupt Enable

48.7.6 PWM Interrupt Disable Register 1

Name:PWM_IDR1

Address:0xF002C014

Access:Write-only

31	30	29	28	27	26	25	24
–	–	–	–	–	–	–	–
23	22	21	20	19	18	17	16
–	–	–	–	FCHID3	FCHID2	FCHID1	FCHID0
15	14	13	12	11	10	9	8
–	–	–	–	–	–	–	–
7	6	5	4	3	2	1	0
–	–	–	–	CHID3	CHID2	CHID1	CHID0

CHIDx: Counter Event on Channel x Interrupt Disable

FCHIDx: Fault Protection Trigger on Channel x Interrupt Disable

SAMA5D3 SERIES

48.7.7 PWM Interrupt Mask Register 1

Name:PWM_IMR1

Address:0xF002C018

Access:Read-only

31	30	29	28	27	26	25	24
–	–	–	–	–	–	–	–
23	22	21	20	19	18	17	16
–	–	–	–	FCHID3	FCHID2	FCHID1	FCHID0
15	14	13	12	11	10	9	8
–	–	–	–	–	–	–	–
7	6	5	4	3	2	1	0
–	–	–	–	CHID3	CHID2	CHID1	CHID0

CHIDx: Counter Event on Channel x Interrupt Mask

FCHIDx: Fault Protection Trigger on Channel x Interrupt Mask

48.7.8 PWM Interrupt Status Register 1

Name:PWM_ISR1

Address:0xF002C01C

Access:Read-only

31	30	29	28	27	26	25	24
–	–	–	–	–	–	–	–
23	22	21	20	19	18	17	16
–	–	–	–	FCHID3	FCHID2	FCHID1	FCHID0
15	14	13	12	11	10	9	8
–	–	–	–	–	–	–	–
7	6	5	4	3	2	1	0
–	–	–	–	CHID3	CHID2	CHID1	CHID0

CHIDx: Counter Event on Channel x

0: No new counter event has occurred since the last read of PWM_ISR1.

1: At least one counter event has occurred since the last read of PWM_ISR1.

FCHIDx: Fault Protection Trigger on Channel x

0: No new trigger of the fault protection since the last read of PWM_ISR1.

1: At least one trigger of the fault protection since the last read of PWM_ISR1.

Note: Reading PWM_ISR1 automatically clears CHIDx and FCHIDx flags.

SAMA5D3 SERIES

48.7.9 PWM Sync Channels Mode Register

Name: PWM_SCM

Address: 0xF002C020

Access: Read/Write

31	30	29	28	27	26	25	24
–	–	–	–	–	–	–	–
23	22	21	20	19	18	17	16
–	–	–	–	–	–	UPDM	
15	14	13	12	11	10	9	8
–	–	–	–	–	–	–	–
7	6	5	4	3	2	1	0
–	–	–	–	SYNC3	SYNC2	SYNC1	SYNC0

This register can only be written if bits WPSWS2 and WPHWS2 are cleared in the [PWM Write Protection Status Register](#).

SYNCx: Synchronous Channel x

0: Channel x is not a synchronous channel.

1: Channel x is a synchronous channel.

UPDM: Synchronous Channels Update Mode

Value	Name	Description
0	MODE0	Manual write of double buffer registers and manual update of synchronous channels ⁽¹⁾
1	MODE1	Manual write of double buffer registers and automatic update of synchronous channels ⁽²⁾

Note 1: The update occurs at the beginning of the next PWM period, when the UPDULOCK bit in [PWM Sync Channels Update Control Register](#) is set.

2: The update occurs when the Update Period is elapsed.

48.7.10 PWM Sync Channels Update Control Register

Name: PWM_SCUC

Address: 0xF002C028

Access: Read/Write

31	30	29	28	27	26	25	24
–	–	–	–	–	–	–	–
23	22	21	20	19	18	17	16
–	–	–	–	–	–	–	–
15	14	13	12	11	10	9	8
–	–	–	–	–	–	–	–
7	6	5	4	3	2	1	0
–	–	–	–	–	–	–	UPDUNLOCK

UPDUNLOCK: Synchronous Channels Update Unlock

0: No effect

1: If the UPDM field is set to '0' in [PWM Sync Channels Mode Register](#), writing the UPDUNLOCK bit to '1' triggers the update of the period value, the duty-cycle and the dead-time values of synchronous channels at the beginning of the next PWM period. If the field UPDM is set to '1' or '2', writing the UPDUNLOCK bit to '1' triggers only the update of the period value and of the dead-time values of synchronous channels.

This bit is automatically reset when the update is done.

SAMA5D3 SERIES

48.7.11 PWM Sync Channels Update Period Register

Name: PWM_SCUP

Address: 0xF002C02C

Access: Read/Write

31	30	29	28	27	26	25	24
–	–	–	–	–	–	–	–
23	22	21	20	19	18	17	16
–	–	–	–	–	–	–	–
15	14	13	12	11	10	9	8
–	–	–	–	–	–	–	–
7	6	5	4	3	2	1	0
UPRCNT				UPR			

UPR: Update Period

Defines the time between each update of the synchronous channels if automatic trigger of the update is activated (UPDM = 1 or UPDM = 2 in [PWM Sync Channels Mode Register](#)). This time is equal to UPR+1 periods of the synchronous channels.

UPRCNT: Update Period Counter

Reports the value of the update period counter.

48.7.12 PWM Sync Channels Update Period Update Register

Name:PWM_SCUPUPD

Address:0xF002C030

Access:Write-only

31	30	29	28	27	26	25	24	
–	–	–	–	–	–	–	–	
23	22	21	20	19	18	17	16	
–	–	–	–	–	–	–	–	
15	14	13	12	11	10	9	8	
–	–	–	–	–	–	–	–	
7	6	5	4	3	2	1	0	
–	–	–	–	UPRUPD				

This register acts as a double buffer for the UPR value. This prevents an unexpected automatic trigger of the update of synchronous channels.

UPRUPD: Update Period Update

Defines the wanted time between each update of the synchronous channels if automatic trigger of the update is activated (UPDM = 1 or UPDM = 2 in [PWM Sync Channels Mode Register](#)). This time is equal to UPR+1 periods of the synchronous channels.

SAMA5D3 SERIES

48.7.13 PWM Interrupt Enable Register 2

Name: PWM_IER2

Address: 0xF002C034

Access: Write-only

31	30	29	28	27	26	25	24
–	–	–	–	–	–	–	–
23	22	21	20	19	18	17	16
CMPU7	CMPU6	CMPU5	CMPU4	CMPU3	CMPU2	CMPU1	CMPU0
15	14	13	12	11	10	9	8
CMPM7	CMPM6	CMPM5	CMPM4	CMPM3	CMPM2	CMPM1	CMPM0
7	6	5	4	3	2	1	0
–	–	–	–	UNRE			WRDY

WRDY: Write Ready for Synchronous Channels Update Interrupt Enable

UNRE: Synchronous Channels Update Underrun Error Interrupt Enable

CMPMx: Comparison x Match Interrupt Enable

CMPUx: Comparison x Update Interrupt Enable

48.7.14 PWM Interrupt Disable Register 2

Name:PWM_IDR2

Address:0xF002C038

Access:Write-only

31	30	29	28	27	26	25	24
–	–	–	–	–	–	–	–
23	22	21	20	19	18	17	16
CMPU7	CMPU6	CMPU5	CMPU4	CMPU3	CMPU2	CMPU1	CMPU0
15	14	13	12	11	10	9	8
CMPM7	CMPM6	CMPM5	CMPM4	CMPM3	CMPM2	CMPM1	CMPM0
7	6	5	4	3	2	1	0
–	–	–	–	UNRE			WRDY

WRDY: Write Ready for Synchronous Channels Update Interrupt Disable

UNRE: Synchronous Channels Update Underrun Error Interrupt Disable

CMPMx: Comparison x Match Interrupt Disable

CMPUx: Comparison x Update Interrupt Disable

SAMA5D3 SERIES

48.7.15 PWM Interrupt Mask Register 2

Name: PWM_IMR2

Address: 0xF002C03C

Access: Read-only

31	30	29	28	27	26	25	24
–	–	–	–	–	–	–	–
23	22	21	20	19	18	17	16
CMPU7	CMPU6	CMPU5	CMPU4	CMPU3	CMPU2	CMPU1	CMPU0
15	14	13	12	11	10	9	8
CMPM7	CMPM6	CMPM5	CMPM4	CMPM3	CMPM2	CMPM1	CMPM0
7	6	5	4	3	2	1	0
–	–	–	–	UNRE			WRDY

WRDY: Write Ready for Synchronous Channels Update Interrupt Mask

UNRE: Synchronous Channels Update Underrun Error Interrupt Mask

CMPMx: Comparison x Match Interrupt Mask

CMPUx: Comparison x Update Interrupt Mask

48.7.16 PWM Interrupt Status Register 2

Name:PWM_ISR2

Address:0xF002C040

Access:Read-only

31	30	29	28	27	26	25	24
–	–	–	–	–	–	–	–
23	22	21	20	19	18	17	16
CMPU7	CMPU6	CMPU5	CMPU4	CMPU3	CMPU2	CMPU1	CMPU0
15	14	13	12	11	10	9	8
CMPM7	CMPM6	CMPM5	CMPM4	CMPM3	CMPM2	CMPM1	CMPM0
7	6	5	4	3	2	1	0
–	–	–	–	UNRE			WRDY

WRDY: Write Ready for Synchronous Channels Update

0: New duty-cycle and dead-time values for the synchronous channels cannot be written.

1: New duty-cycle and dead-time values for the synchronous channels can be written.

UNRE: Synchronous Channels Update Underrun Error

0: No Synchronous Channels Update Underrun has occurred since the last read of the PWM_ISR2 register.

1: At least one Synchronous Channels Update Underrun has occurred since the last read of the PWM_ISR2 register.

CMPMx: Comparison x Match

0: The comparison x has not matched since the last read of the PWM_ISR2 register.

1: The comparison x has matched at least one time since the last read of the PWM_ISR2 register.

CMPUx: Comparison x Update

0: The comparison x has not been updated since the last read of the PWM_ISR2 register.

1: The comparison x has been updated at least one time since the last read of the PWM_ISR2 register.

Note: Reading PWM_ISR2 automatically clears flags WRDY, UNRE and CMPSx.

SAMA5D3 SERIES

48.7.17 PWM Output Override Value Register

Name: PWM_OOV

Address: 0xF002C044

Access: Read/Write

31	30	29	28	27	26	25	24
–	–	–	–	–	–	–	–
23	22	21	20	19	18	17	16
–	–	–	–	OOVL3	OOVL2	OOVL1	OOVL0
15	14	13	12	11	10	9	8
–	–	–	–	–	–	–	–
7	6	5	4	3	2	1	0
–	–	–	–	OOVH3	OOVH2	OOVH1	OOVH0

OOVHx: Output Override Value for PWMH output of the channel x

0: Override value is 0 for PWMH output of channel x.

1: Override value is 1 for PWMH output of channel x.

OOVLx: Output Override Value for PWML output of the channel x

0: Override value is 0 for PWML output of channel x.

1: Override value is 1 for PWML output of channel x.

48.7.18 PWM Output Selection Register

Name:PWM_OS

Address:0xF002C048

Access:Read/Write

31	30	29	28	27	26	25	24
–	–	–	–	–	–	–	–
23	22	21	20	19	18	17	16
–	–	–	–	OSL3	OSL2	OSL1	OSL0
15	14	13	12	11	10	9	8
–	–	–	–	–	–	–	–
7	6	5	4	3	2	1	0
–	–	–	–	OSH3	OSH2	OSH1	OSH0

OSHx: Output Selection for PWMH output of the channel x

0: Dead-time generator output DTOHx selected as PWMH output of channel x.

1: Output override value OOVHx selected as PWMH output of channel x.

OSLx: Output Selection for PWML output of the channel x

0: Dead-time generator output DTOLx selected as PWML output of channel x.

1: Output override value OOVLx selected as PWML output of channel x.

SAMA5D3 SERIES

48.7.19 PWM Output Selection Set Register

Name: PWM_OSS

Address: 0xF002C04C

Access: Write-only

31	30	29	28	27	26	25	24
–	–	–	–	–	–	–	–
23	22	21	20	19	18	17	16
–	–	–	–	OSSL3	OSSL2	OSSL1	OSSL0
15	14	13	12	11	10	9	8
–	–	–	–	–	–	–	–
7	6	5	4	3	2	1	0
–	–	–	–	OSSH3	OSSH2	OSSH1	OSSH0

OSSHx: Output Selection Set for PWMH output of the channel x

0: No effect.

1: Output override value OOVHx selected as PWMH output of channel x.

OSSLx: Output Selection Set for PWML output of the channel x

0: No effect.

1: Output override value OOVLx selected as PWML output of channel x.

48.7.20 PWM Output Selection Clear Register

Name:PWM_OSC

Address:0xF002C050

Access:Write-only

31	30	29	28	27	26	25	24
–	–	–	–	–	–	–	–
23	22	21	20	19	18	17	16
–	–	–	–	OSCL3	OSCL2	OSCL1	OSCL0
15	14	13	12	11	10	9	8
–	–	–	–	–	–	–	–
7	6	5	4	3	2	1	0
–	–	–	–	OSCH3	OSCH2	OSCH1	OSCH0

OSCHx: Output Selection Clear for PWMH output of the channel x

0: No effect.

1: Dead-time generator output DTOHx selected as PWMH output of channel x.

OSCLx: Output Selection Clear for PWML output of the channel x

0: No effect.

1: Dead-time generator output DTOLx selected as PWML output of channel x.

SAMA5D3 SERIES

48.7.21 PWM Output Selection Set Update Register

Name: PWM_OSSUPD

Address: 0xF002C054

Access: Write-only

31	30	29	28	27	26	25	24
–	–	–	–	–	–	–	–
23	22	21	20	19	18	17	16
–	–	–	–	OSSUPL3	OSSUPL2	OSSUPL1	OSSUPL0
15	14	13	12	11	10	9	8
–	–	–	–	–	–	–	–
7	6	5	4	3	2	1	0
–	–	–	–	OSSUPH3	OSSUPH2	OSSUPH1	OSSUPH0

OSSUPHx: Output Selection Set for PWMH output of the channel x

0: No effect.

1: Output override value OOVHx selected as PWMH output of channel x at the beginning of the next channel x PWM period.

OSSUPLx: Output Selection Set for PWML output of the channel x

0: No effect.

1: Output override value OOVLx selected as PWML output of channel x at the beginning of the next channel x PWM period.

48.7.22 PWM Output Selection Clear Update Register

Name:PWM_OSCUPD

Address:0xF002C058

Access:Write-only

31	30	29	28	27	26	25	24
–	–	–	–	–	–	–	–
23	22	21	20	19	18	17	16
–	–	–	–	OSCUPL3	OSCUPL2	OSCUPL1	OSCUPL0
15	14	13	12	11	10	9	8
–	–	–	–	–	–	–	–
7	6	5	4	3	2	1	0
–	–	–	–	OSCUPL3	OSCUPL2	OSCUPL1	OSCUPL0

OSCUPLx: Output Selection Clear for PWML output of the channel x

0: No effect.

1: Dead-time generator output DTOHx selected as PWML output of channel x at the beginning of the next channel x PWM period.

OSCUPLx: Output Selection Clear for PWML output of the channel x

0: No effect.

1: Dead-time generator output DTOLx selected as PWML output of channel x at the beginning of the next channel x PWM period.

SAMA5D3 SERIES

48.7.23 PWM Fault Mode Register

Name: PWM_FMR

Address: 0xF002C05C

Access: Read/Write

31	30	29	28	27	26	25	24
-							
23	22	21	20	19	18	17	16
FFIL							
15	14	13	12	11	10	9	8
FMOD							
7	6	5	4	3	2	1	0
FPOL							

This register can only be written if bits WPSWS5 and WPHWS5 are cleared in the [PWM Write Protection Status Register](#).

Refer to [Section 48.5.4 Fault Inputs](#) for details on fault generation.

FPOL: Fault Polarity

For each bit y of FPOL, where y is the fault input number:

- 0: The fault y becomes active when the fault input y is at 0.
- 1: The fault y becomes active when the fault input y is at 1.

FMOD: Fault Activation Mode

For each bit y of FMOD, where y is the fault input number:

- 0: The fault y is active until the fault condition is removed at the peripheral⁽¹⁾ level.
- 1: The fault y stays active until the fault condition is removed at the peripheral⁽¹⁾ level AND until it is cleared in the [PWM Fault Clear Register](#).

Note 1: The peripheral generating the fault.

FFIL: Fault Filtering

For each bit y of FFIL, where y is the fault input number:

- 0: The fault input y is not filtered.
- 1: The fault input y is filtered.

Caution: To prevent an unexpected activation of the status flag FS y in the [PWM Fault Status Register](#), the bit FMOD y can be set to '1' only if the FPOL y bit has been previously configured to its final value.

48.7.24 PWM Fault Status Register

Name:PWM_FSR

Address:0xF002C060

Access:Read-only

31	30	29	28	27	26	25	24
-							
23	22	21	20	19	18	17	16
-							
15	14	13	12	11	10	9	8
FS							
7	6	5	4	3	2	1	0
FIV							

Refer to [Section 48.5.4 Fault Inputs](#) for details on fault generation.

FIV: Fault Input Value

For each bit y of FIV, where y is the fault input number:

- 0: The current sampled value of the fault input y is 0 (after filtering if enabled).
- 1: The current sampled value of the fault input y is 1 (after filtering if enabled).

FS: Fault Status

For each bit y of FS, where y is the fault input number:

- 0: The fault y is not currently active.
- 1: The fault y is currently active.

SAMA5D3 SERIES

48.7.25 PWM Fault Clear Register

Name:PWM_FCR

Address:0xF002C064

Access:Write-only

31	30	29	28	27	26	25	24
-							
23	22	21	20	19	18	17	16
-							
15	14	13	12	11	10	9	8
-							
7	6	5	4	3	2	1	0
FCLR							

Refer to [Section 48.5.4 Fault Inputs](#) for details on fault generation.

FCLR: Fault Clear

For each bit y of FCLR, where y is the fault input number:

0: No effect.

1: If bit y of FMODE field is set to '1' and if the fault input y is not at the level defined by the bit y of FPOL field, the fault y is cleared and becomes inactive (FMODE and FPOL fields belong to [PWM Fault Mode Register](#)), else writing this bit to '1' has no effect.

48.7.26 PWM Fault Protection Value Register

Name:PWM_FPV

Address:0xF002C068

Access:Read/Write

31	30	29	28	27	26	25	24
–	–	–	–	–	–	–	–
23	22	21	20	19	18	17	16
–	–	–	–	FPVL3	FPVL2	FPVL1	FPVL0
15	14	13	12	11	10	9	8
–	–	–	–	–	–	–	–
7	6	5	4	3	2	1	0
–	–	–	–	FPVH3	FPVH2	FPVH1	FPVH0

This register can only be written if bits WPSWS5 and WPHWS5 are cleared in the [PWM Write Protection Status Register](#).

Refer to [Section 48.5.4 Fault Inputs](#) for details on fault generation.

FPVHx: Fault Protection Value for PWMH output on channel x

0: PWMH output of channel x is forced to '0' when fault occurs.

1: PWMH output of channel x is forced to '1' when fault occurs.

FPVLx: Fault Protection Value for PWML output on channel x

0: PWML output of channel x is forced to '0' when fault occurs.

1: PWML output of channel x is forced to '1' when fault occurs.

SAMA5D3 SERIES

48.7.27 PWM Fault Protection Enable Register

Name: PWM_FPE

Address: 0xF002C06C

Access: Read/Write

31	30	29	28	27	26	25	24
FPE3							
23	22	21	20	19	18	17	16
FPE2							
15	14	13	12	11	10	9	8
FPE1							
7	6	5	4	3	2	1	0
FPE0							

This register can only be written if bits WPSWS5 and WPHWS5 are cleared in the [PWM Write Protection Status Register](#).

Only the first 1 bit (number of fault input pins) of fields FPE0, FPE1, FPE2 and FPE3 is significant.

Refer to [Section 48.5.4 Fault Inputs](#) for details on fault generation.

FPE_x: Fault Protection Enable for channel x

For each bit y of FPE_x, where y is the fault input number:

0: Fault y is not used for the fault protection of channel x.

1: Fault y is used for the fault protection of channel x.

Caution: To prevent an unexpected activation of the fault protection, the bit y of FPE_x field can be set to '1' only if the corresponding FPOL field has been previously configured to its final value in [PWM Fault Mode Register](#).

48.7.28 PWM Event Line x Register

Name:PWM_ELMRx

Address:0xF002C07C

Access:Read/Write

31	30	29	28	27	26	25	24
–	–	–	–	–	–	–	–
23	22	21	20	19	18	17	16
–	–	–	–	–	–	–	–
15	14	13	12	11	10	9	8
–	–	–	–	–	–	–	–
7	6	5	4	3	2	1	0
CSEL7	CSEL6	CSEL5	CSEL4	CSEL3	CSEL2	CSEL1	CSEL0

CSELy: Comparison y Selection

0: A pulse is not generated on the event line x when the comparison y matches.

1: A pulse is generated on the event line x when the comparison y match.

SAMA5D3 SERIES

48.7.29 PWM Stepper Motor Mode Register

Name: PWM_SMMR

Address: 0xF002C0B0

Access: Read/Write

31	30	29	28	27	26	25	24
–	–	–	–	–	–	–	–
23	22	21	20	19	18	17	16
–	–	–	–	–	–	DOWN1	DOWN0
15	14	13	12	11	10	9	8
–	–	–	–	–	–	–	–
7	6	5	4	3	2	1	0
–	–	–	–	–	–	GCEN1	GCEN0

GCENx: Gray Count ENable

0: Disable gray count generation on PWML[2*x], PWMH[2*x], PWML[2*x +1], PWMH[2*x +1]

1: Enable gray count generation on PWML[2*x], PWMH[2*x], PWML[2*x +1], PWMH[2*x +1].

DOWNx: DOWN Count

0: Up counter.

1: Down counter.

48.7.30 PWM Write Protection Control Register

Name:PWM_WPCR

Address:0xF002C0E4

Access:Write-only

31	30	29	28	27	26	25	24
WPKEY							
23	22	21	20	19	18	17	16
WPKEY							
15	14	13	12	11	10	9	8
WPKEY							
7	6	5	4	3	2	1	0
WPRG5	WPRG4	WPRG3	WPRG2	WPRG1	WPRG0	WPCMD	

See [Section 48.6.6 Register Write Protection](#) for the list of registers that can be write-protected.

WPCMD: Write Protection Command

This command is performed only if the WPKEY corresponds to 0x50574D ("PWM" in ASCII).

Value	Name	Description
0	DISABLE_SW_PROT	Disables the software write protection of the register groups of which the bit WPRGx is at '1'.
1	ENABLE_SW_PROT	Enables the software write protection of the register groups of which the bit WPRGx is at '1'.
2	ENABLE_HW_PROT	Enables the hardware write protection of the register groups of which the bit WPRGx is at '1'. Only a hardware reset of the PWM controller can disable the hardware write protection. Moreover, to meet security requirements, the PIO lines associated with the PWM can not be configured through the PIO interface.

WPRGx: Write Protection Register Group x

0: The WPCMD command has no effect on the register group x.

1: The WPCMD command is applied to the register group x.

WPKEY: Write Protection Key

Value	Name	Description
0x50574D	PASSWD	Writing any other value in this field aborts the write operation of the WPCMD field. Always reads as 0

SAMA5D3 SERIES

48.7.31 PWM Write Protection Status Register

Name:PWM_WPSR

Address:0xF002C0E8

Access:Read-only

31	30	29	28	27	26	25	24
WPVSR							
23	22	21	20	19	18	17	16
WPVSR							
15	14	13	12	11	10	9	8
–	–	WPHWS5	WPHWS4	WPHWS3	WPHWS2	WPHWS1	WPHWS0
7	6	5	4	3	2	1	0
WPVS	–	WPSWS5	WPSWS4	WPSWS3	WPSWS2	WPSWS1	WPSWS0

WPSWSx: Write Protect SW Status

0: The SW write protection x of the register group x is disabled.

1: The SW write protection x of the register group x is enabled.

WPHWSx: Write Protect HW Status

0: The HW write protection x of the register group x is disabled.

1: The HW write protection x of the register group x is enabled.

WPVS: Write Protect Violation Status

0: No write protection violation has occurred since the last read of PWM_WPSR.

1: At least one write protection violation has occurred since the last read of PWM_WPSR. If this violation is an unauthorized attempt to write a protected register, the associated violation is reported into field WPVSR.

WPVSR: Write Protect Violation Source

When WPVS = 1, WPVSR indicates the register address offset at which a write access has been attempted.

48.7.32 PWM Comparison x Value Register

Name:PWM_CMPVx

Address:0xF002C130 [0], 0xF002C140 [1], 0xF002C150 [2], 0xF002C160 [3], 0xF002C170 [4], 0xF002C180 [5], 0xF002C190 [6], 0xF002C1A0 [7]

Access:Read/Write

31	30	29	28	27	26	25	24
–	–	–	–	–	–	–	CVM
23	22	21	20	19	18	17	16
CV							
15	14	13	12	11	10	9	8
CV							
7	6	5	4	3	2	1	0
CV							

Only the first 16 bits (channel counter size) of field CV are significant.

CV: Comparison x Value

Define the comparison x value to be compared with the counter of the channel 0.

CVM: Comparison x Value Mode

0: The comparison x between the counter of the channel 0 and the comparison x value is performed when this counter is incrementing.

1: The comparison x between the counter of the channel 0 and the comparison x value is performed when this counter is decrementing.

Note: This bit is not relevant if the counter of the channel 0 is left-aligned (CALG = 0 in [PWM Channel Mode Register](#))

SAMA5D3 SERIES

48.7.33 PWM Comparison x Value Update Register

Name:PWM_CMPVUPDx

Address:0xF002C134 [0], 0xF002C144 [1], 0xF002C154 [2], 0xF002C164 [3], 0xF002C174 [4], 0xF002C184 [5], 0xF002C194 [6], 0xF002C1A4 [7]

Access:Write-only

31	30	29	28	27	26	25	24
–	–	–	–	–	–	–	CVMUPD
23	22	21	20	19	18	17	16
CVUPD							
15	14	13	12	11	10	9	8
CVUPD							
7	6	5	4	3	2	1	0
CVUPD							

This register acts as a double buffer for the CV and CVM values. This prevents an unexpected comparison x match.

Only the first 16 bits (channel counter size) of field CVUPD are significant.

CVUPD: Comparison x Value Update

Define the comparison x value to be compared with the counter of the channel 0.

CVMUPD: Comparison x Value Mode Update

0: The comparison x between the counter of the channel 0 and the comparison x value is performed when this counter is incrementing.

1: The comparison x between the counter of the channel 0 and the comparison x value is performed when this counter is decrementing.

Note: This bit is not relevant if the counter of the channel 0 is left-aligned (CALG = 0 in [PWM Channel Mode Register](#))

Caution: The write of the register PWM_CMPVUPDx must be followed by a write of the register PWM_CMPMUPDx.

48.7.34 PWM Comparison x Mode Register

Name:PWM_CMPMx

Address:0xF002C138 [0], 0xF002C148 [1], 0xF002C158 [2], 0xF002C168 [3], 0xF002C178 [4], 0xF002C188 [5], 0xF002C198 [6], 0xF002C1A8 [7]

Access:Read/Write

31	30	29	28	27	26	25	24
–	–	–	–	–	–	–	–
23	22	21	20	19	18	17	16
CUPRCNT				CUPR			
15	14	13	12	11	10	9	8
CPRCNT				CPR			
7	6	5	4	3	2	1	0
CTR				–	–	–	CEN

CEN: Comparison x Enable

0: The comparison x is disabled and can not match.

1: The comparison x is enabled and can match.

CTR: Comparison x Trigger

The comparison x is performed when the value of the comparison x period counter (CPRCNT) reaches the value defined by CTR.

CPR: Comparison x Period

CPR defines the maximum value of the comparison x period counter (CPRCNT). The comparison x value is performed periodically once every CPR+1 periods of the channel 0 counter.

CPRCNT: Comparison x Period Counter

Reports the value of the comparison x period counter.

Note: The field CPRCNT is read-only

CUPR: Comparison x Update Period

Defines the time between each update of the comparison x mode and the comparison x value. This time is equal to CUPR+1 periods of the channel 0 counter.

CUPRCNT: Comparison x Update Period Counter

Reports the value of the comparison x update period counter.

Note: The field CUPRCNT is read-only

SAMA5D3 SERIES

48.7.35 PWM Comparison x Mode Update Register

Name:PWM_CMPMUPDx

Address:0xF002C13C [0], 0xF002C14C [1], 0xF002C15C [2], 0xF002C16C [3], 0xF002C17C [4], 0xF002C18C [5], 0xF002C19C [6], 0xF002C1AC [7]

Access:Write-only

31	30	29	28	27	26	25	24
–	–	–	–	–	–	–	–
23	22	21	20	19	18	17	16
–	–	–	–	CUPRUPD			
15	14	13	12	11	10	9	8
–	–	–	–	CPRUPD			
7	6	5	4	3	2	1	0
CTRUPD				–	–	–	CENUPD

This register acts as a double buffer for the CEN, CTR, CPR and CUPR values. This prevents an unexpected comparison x match.

CENUPD: Comparison x Enable Update

0: The comparison x is disabled and can not match.

1: The comparison x is enabled and can match.

CTRUPD: Comparison x Trigger Update

The comparison x is performed when the value of the comparison x period counter (CPRCNT) reaches the value defined by CTR.

CPRUPD: Comparison x Period Update

CPR defines the maximum value of the comparison x period counter (CPRCNT). The comparison x value is performed periodically once every CPR+1 periods of the channel 0 counter.

CUPRUPD: Comparison x Update Period Update

Defines the time between each update of the comparison x mode and the comparison x value. This time is equal to CUPR+1 periods of the channel 0 counter.

48.7.36 PWM Channel Mode Register

Name: PWM_CMRx [x=0..3]

Address: 0xF002C200 [0], 0xF002C220 [1], 0xF002C240 [2], 0xF002C260 [3]

Access: Read/Write

31	30	29	28	27	26	25	24	
–	–	–	–	–	–	–	–	
23	22	21	20	19	18	17	16	
–	–	–	–	–	DTLI	DTHI	DTE	
15	14	13	12	11	10	9	8	
–	–	–	–	–	CES	CPOL	CALG	
7	6	5	4	3	2	1	0	
–	–	–	–	CPRE				

This register can only be written if bits WPSWS2 and WPHWS2 are cleared in the [PWM Write Protection Status Register](#).

CPRE: Channel Pre-scaler

Value	Name	Description
0	MCK	Peripheral clock
1	MCK_DIV_2	Peripheral clock/2
2	MCK_DIV_4	Peripheral clock/4
3	MCK_DIV_8	Peripheral clock/8
4	MCK_DIV_16	Peripheral clock/16
5	MCK_DIV_32	Peripheral clock/32
6	MCK_DIV_64	Peripheral clock/64
7	MCK_DIV_128	Peripheral clock/128
8	MCK_DIV_256	Peripheral clock/256
9	MCK_DIV_512	Peripheral clock/512
10	MCK_DIV_1024	Peripheral clock/1024
11	CLKA	Clock A
12	CLKB	Clock B

CALG: Channel Alignment

0: The period is left-aligned.

1: The period is center-aligned.

CPOL: Channel Polarity

0: The OCx output waveform (output from the comparator) starts at a low level.

1: The OCx output waveform (output from the comparator) starts at a high level.

SAMA5D3 SERIES

CES: Counter Event Selection

The bit CES defines when the channel counter event occurs when the period is center-aligned (flag CHIDx in [PWM Interrupt Status Register 1](#)).

CALG = 0 (Left Alignment):

0/1: The channel counter event occurs at the end of the PWM period.

CALG = 1 (Center Alignment):

0: The channel counter event occurs at the end of the PWM period.

1: The channel counter event occurs at the end of the PWM period and at half the PWM period.

DTE: Dead-Time Generator Enable

0: The dead-time generator is disabled.

1: The dead-time generator is enabled.

DTHI: Dead-Time PWMHx Output Inverted

0: The dead-time PWMHx output is not inverted.

1: The dead-time PWMHx output is inverted.

DTLI: Dead-Time PWMLx Output Inverted

0: The dead-time PWMLx output is not inverted.

1: The dead-time PWMLx output is inverted.

48.7.37 PWM Channel Duty Cycle Register

Name:PWM_CDTYx [x=0..3]

Address:0xF002C204 [0], 0xF002C224 [1], 0xF002C244 [2], 0xF002C264 [3]

Access:Read/Write

31	30	29	28	27	26	25	24
–	–	–	–	–	–	–	–
23	22	21	20	19	18	17	16
CDTY							
15	14	13	12	11	10	9	8
CDTY							
7	6	5	4	3	2	1	0
CDTY							

Only the first 16 bits (channel counter size) are significant.

CDTY: Channel Duty-Cycle

Defines the waveform duty-cycle. This value must be defined between 0 and CPRD (PWM_CPRDx).

SAMA5D3 SERIES

48.7.38 PWM Channel Duty Cycle Update Register

Name:PWM_CDTYUPDx [x=0..3]

Address:0xF002C208 [0], 0xF002C228 [1], 0xF002C248 [2], 0xF002C268 [3]

Access:Write-only

31	30	29	28	27	26	25	24
–	–	–	–	–	–	–	–
23	22	21	20	19	18	17	16
CDTYUPD							
15	14	13	12	11	10	9	8
CDTYUPD							
7	6	5	4	3	2	1	0
CDTYUPD							

This register acts as a double buffer for the CDTY value. This prevents an unexpected waveform when modifying the waveform duty-cycle. Only the first 16 bits (channel counter size) are significant.

CDTYUPD: Channel Duty-Cycle Update

Defines the waveform duty-cycle. This value must be defined between 0 and CPRD (PWM_CPRDx).

48.7.39 PWM Channel Period Register

Name: PWM_CPRDx [x=0..3]

Address: 0xF002C20C [0], 0xF002C22C [1], 0xF002C24C [2], 0xF002C26C [3]

Access: Read/Write

31	30	29	28	27	26	25	24
–	–	–	–	–	–	–	–
23	22	21	20	19	18	17	16
CPRD							
15	14	13	12	11	10	9	8
CPRD							
7	6	5	4	3	2	1	0
CPRD							

This register can only be written if bits WPSWS3 and WPHWS3 are cleared in the [PWM Write Protection Status Register](#).

Only the first 16 bits (channel counter size) are significant.

CPRD: Channel Period

If the waveform is left-aligned, then the output waveform period depends on the channel counter source clock and can be calculated:

- By using the PWM peripheral clock divided by a given prescaler value “X” (where $X = 2^{\text{PREA}}$ is 1, 2, 4, 8, 16, 32, 64, 128, 256, 512, or 1024). The resulting period formula is:

$$\frac{(X \times \text{CPRD})}{f_{\text{peripheral clock}}}$$

- By using the PWM peripheral clock divided by a given prescaler value “X” (see above) and by either the DIVA or the DIVB divider. The formula becomes, respectively:

$$\frac{(X \times \text{CPRD} \times \text{DIVA})}{f_{\text{peripheral clock}}} \text{ or } \frac{(X \times \text{CPRD} \times \text{DIVB})}{f_{\text{peripheral clock}}}$$

If the waveform is center-aligned, then the output waveform period depends on the channel counter source clock and can be calculated:

- By using the PWM peripheral clock divided by a given prescaler value “X” (where $X = 2^{\text{PREA}}$ is 1, 2, 4, 8, 16, 32, 64, 128, 256, 512, or 1024). The resulting period formula is:

$$\frac{(2 \times X \times \text{CPRD})}{f_{\text{peripheral clock}}}$$

- By using the PWM peripheral clock divided by a given prescaler value “X” (see above) and by either the DIVA or the DIVB divider. The formula becomes, respectively:

$$\frac{(2 \times X \times \text{CPRD} \times \text{DIVA})}{f_{\text{peripheral clock}}} \text{ or } \frac{(2 \times X \times \text{CPRD} \times \text{DIVB})}{f_{\text{peripheral clock}}}$$

SAMA5D3 SERIES

48.7.40 PWM Channel Period Update Register

Name: PWM_CPRDUPD_x [x=0..3]

Address: 0xF002C210 [0], 0xF002C230 [1], 0xF002C250 [2], 0xF002C270 [3]

Access: Write-only

31	30	29	28	27	26	25	24
–	–	–	–	–	–	–	–
23	22	21	20	19	18	17	16
CPRDUPD							
15	14	13	12	11	10	9	8
CPRDUPD							
7	6	5	4	3	2	1	0
CPRDUPD							

This register can only be written if bits WPSWS3 and WPHWS3 are cleared in the [PWM Write Protection Status Register](#).

This register acts as a double buffer for the CPRD value. This prevents an unexpected waveform when modifying the waveform period.

Only the first 16 bits (channel counter size) are significant.

CPRDUPD: Channel Period Update

If the waveform is left-aligned, then the output waveform period depends on the channel counter source clock and can be calculated:

- By using the PWM peripheral clock divided by a given prescaler value “X” (where $X = 2^{\text{PREA}}$ is 1, 2, 4, 8, 16, 32, 64, 128, 256, 512, or 1024). The resulting period formula is:

$$\frac{(X \times \text{CPRDUPD})}{f_{\text{peripheral clock}}}$$

- By using the PWM peripheral clock divided by a given prescaler value “X” (see above) and by either the DIVA or the DIVB divider. The formula becomes, respectively:

$$\frac{(X \times \text{CPRDUPD} \times \text{DIVA})}{f_{\text{peripheral clock}}} \text{ or } \frac{(X \times \text{CPRDUPD} \times \text{DIVB})}{f_{\text{peripheral clock}}}$$

If the waveform is center-aligned, then the output waveform period depends on the channel counter source clock and can be calculated:

- By using the PWM peripheral clock divided by a given prescaler value “X” (where $X = 2^{\text{PREA}}$ is 1, 2, 4, 8, 16, 32, 64, 128, 256, 512, or 1024). The resulting period formula is:

$$\frac{(2 \times X \times \text{CPRDUPD})}{f_{\text{peripheral clock}}}$$

- By using the PWM peripheral clock divided by a given prescaler value “X” (see above) and by either the DIVA or the DIVB divider. The formula becomes, respectively:

$$\frac{(2 \times X \times \text{CPRDUPD} \times \text{DIVA})}{f_{\text{peripheral clock}}} \text{ or } \frac{(2 \times X \times \text{CPRDUPD} \times \text{DIVB})}{f_{\text{peripheral clock}}}$$

48.7.41 PWM Channel Counter Register

Name: PWM_CCNTx [x=0..3]

Address: 0xF002C214 [0], 0xF002C234 [1], 0xF002C254 [2], 0xF002C274 [3]

Access: Read-only

31	30	29	28	27	26	25	24
–	–	–	–	–	–	–	–
23	22	21	20	19	18	17	16
CNT							
15	14	13	12	11	10	9	8
CNT							
7	6	5	4	3	2	1	0
CNT							

Only the first 16 bits (channel counter size) are significant.

CNT: Channel Counter Register

Channel counter value. This register is reset when:

- the channel is enabled (writing CHIDx in the PWM_ENA register).
- the channel counter reaches CPRD value defined in the PWM_CPRDx register if the waveform is left-aligned.

SAMA5D3 SERIES

48.7.42 PWM Channel Dead Time Register

Name:PWM_DT_x [x=0..3]

Address:0xF002C218 [0], 0xF002C238 [1], 0xF002C258 [2], 0xF002C278 [3]

Access:Read/Write

31	30	29	28	27	26	25	24
DTL							
23	22	21	20	19	18	17	16
DTL							
15	14	13	12	11	10	9	8
DTH							
7	6	5	4	3	2	1	0
DTH							

This register can only be written if bits WPSWS4 and WPHWS4 are cleared in the [PWM Write Protection Status Register](#).

Only the first 12 bits (dead-time counter size) of fields DTH and DTL are significant.

DTH: Dead-Time Value for PWMHx Output

Defines the dead-time value for PWMHx output. This value must be defined between 0 and the value (CPRD – CDTY) (PWM_CPRD_x and PWM_CDTY_x).

DTL: Dead-Time Value for PWMLx Output

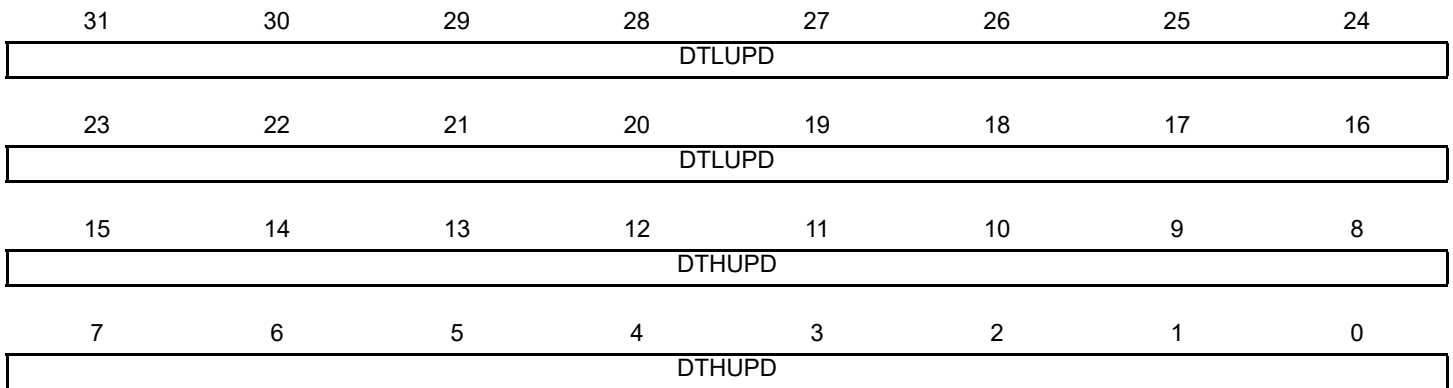
Defines the dead-time value for PWMLx output. This value must be defined between 0 and CDTY (PWM_CDTY_x).

48.7.43 PWM Channel Dead Time Update Register

Name: PWM_DTUPDx [x=0..3]

Address: 0xF002C21C [0], 0xF002C23C [1], 0xF002C25C [2], 0xF002C27C [3]

Access: Write-only



This register can only be written if bits WPSWS4 and WPHWS4 are cleared in the [PWM Write Protection Status Register](#).

This register acts as a double buffer for the DTH and DTL values. This prevents an unexpected waveform when modifying the dead-time values.

Only the first 12 bits (dead-time counter size) of fields DTHUPD and DTLUPD are significant.

DTHUPD: Dead-Time Value Update for PWMHx Output

Defines the dead-time value for PWMHx output. This value must be defined between 0 and the value (CPRD – CDTY) (PWM_CPRDx and PWM_CDTYx). This value is applied only at the beginning of the next channel x PWM period.

DTLUPD: Dead-Time Value Update for PWMLx Output

Defines the dead-time value for PWMLx output. This value must be defined between 0 and CDTY (PWM_CDTYx). This value is applied only at the beginning of the next channel x PWM period.

SAMA5D3 SERIES

49. Analog-to-Digital Converter (ADC)

49.1 Description

The ADC is based on a 12-bit Analog-to-Digital Converter (ADC) managed by an ADC Controller. Refer to [Figure 49-1 Analog-to-Digital Converter Block Diagram](#). It also integrates a 12-to-1 analog multiplexer, making possible the analog-to-digital conversions of 12 analog lines. The conversions extend from 0V to the voltage carried on pin ADVREF.

Conversion results are reported in a common register for all channels, as well as in a channel-dedicated register.

Software trigger, external trigger on rising edge of the ADTRG pin or internal triggers from Timer Counter output(s) are configurable.

The comparison circuitry allows automatic detection of values below a threshold, higher than a threshold, in a given range or outside the range, thresholds and ranges being fully configurable.

The ADC Controller internal fault output is directly connected to PWM fault input. This input can be asserted by means of comparison circuitry in order to immediately put the PWM output in a safe state (pure combinational path).

The ADC also integrates a Sleep mode and a conversion sequencer and connects with a DMA channel. These features reduce both power consumption and processor intervention.

This ADC has a selectable single-ended or fully differential input and benefits from a 2-bit programmable gain.

A digital error correction circuit based on the multi-bit redundant signed digit (RSD) algorithm is employed in order to reduce INL and DNL errors.

Finally, the user can configure ADC timings, such as startup time and tracking time.

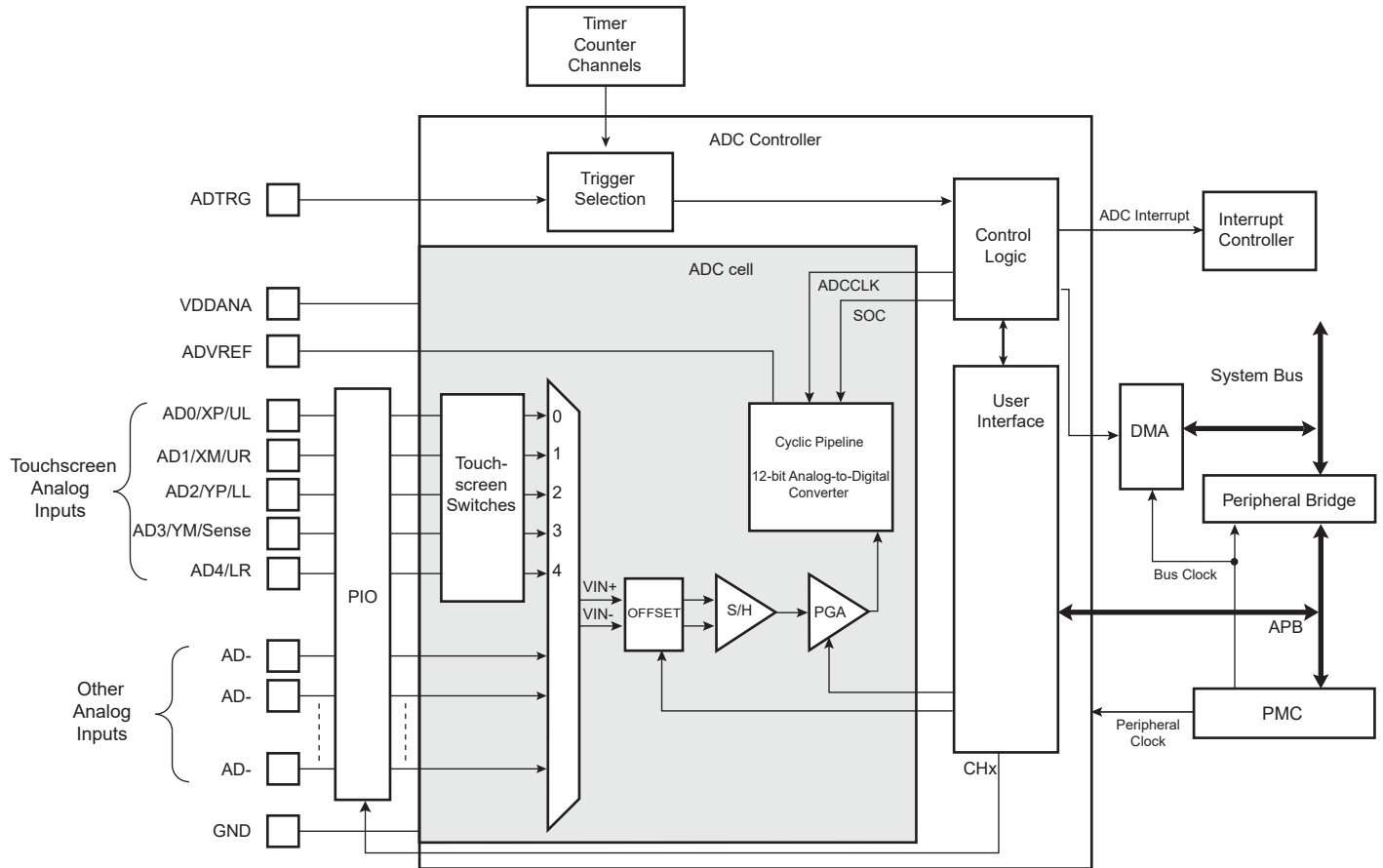
This ADC Controller includes a Resistive Touchscreen Controller. It supports 4-wire and 5-wire technologies.

49.2 Embedded Characteristics

- 12-bit Resolution
- 1 msp/s Conversion Rate
- Wide Range of Power Supply Operation
- Selectable Single-Ended or Differential Input Voltage
- Programmable Gain For Maximum Full-Scale Input Range $0-V_{DD}$
- Resistive 4-wire and 5-wire Touchscreen Controller
 - Position and Pressure Measurement for 4-wire Screens
 - Position Measurement for 5-wire Screens
 - Average of Up to 8 Measures for Noise Filtering
- Programmable Pen Detection Sensitivity
- Integrated Multiplexer Offering Up to 12 Independent Analog Inputs
- Individual Enable and Disable of Each Channel
- Hardware or Software Trigger
 - External Trigger Pin
 - Timer Counter Outputs (Corresponding TIOA Trigger)
 - Internal Trigger Counter
 - Trigger on Pen Contact Detection
 - PWM Event Line
- Drive of PWM Fault Input
- DMA Support
- Possibility of ADC Timings Configuration
- Two Sleep Modes and Conversion Sequencer
 - Automatic Wakeup on Trigger and Back to Sleep Mode after Conversions of all Enabled Channels
 - Possibility of Customized Channel Sequence
- Standby Mode for Fast Wakeup Time Response
 - Power Down Capability
- Automatic Window Comparison of Converted Values
- Register Write Protection

49.3 Block Diagram

Figure 49-1: Analog-to-Digital Converter Block Diagram



49.4 Signal Description

Table 49-1: ADC Pin Description

Pin Name	Description
VDDANA	Analog power supply
ADVREF	reference voltage
AD0–AD11	Analog input channels
ADTRG	External trigger

SAMA5D3 SERIES

49.5 Product Dependencies

49.5.1 Power Management

The ADC Controller is not continuously clocked. The programmer must first enable the ADC Controller peripheral clock in the Power Management Controller (PMC) before using the ADC Controller. However, if the application does not require ADC operations, the ADC Controller clock can be stopped when not needed and restarted when necessary. Configuring the ADC Controller does not require the ADC Controller clock to be enabled.

49.5.2 Interrupt Sources

The ADC interrupt line is connected on one of the internal sources of the Interrupt Controller. Using the ADC interrupt requires the interrupt controller to be programmed first.

Table 49-2: Peripheral IDs

Instance	ID
ADC	29

49.5.3 I/O Lines

The digital input ADC_ADTRG is multiplexed with digital functions on the I/O line and the selection of ADC_ADTRG is made using the PIO controller.

The analog inputs ADC_ADx are multiplexed with digital functions on the I/O lines. ADC_ADx inputs are selected as inputs of the ADCC when writing a one in the corresponding CHx bit of ADC_CHER and the digital functions are not selected.

Table 49-3: I/O Lines

Instance	Signal	I/O Line	Peripheral
ADC	ADTRG	PD19	A
ADC	AD0	PD20	A
ADC	AD1	PD21	A
ADC	AD2	PD22	A
ADC	AD3	PD23	A
ADC	AD4	PD24	A
ADC	AD5	PD25	A
ADC	AD6	PD26	A
ADC	AD7	PD27	A
ADC	AD8	PD28	A
ADC	AD9	PD29	A
ADC	AD10	PD30	A
ADC	AD11	PD31	A

49.5.4 Timer Triggers

Timer counters may or may not be used as hardware triggers depending on user requirements. Thus, some or all of the timer counters may be unconnected.

49.5.5 PWM Event Line

PWM event lines may or may not be used as hardware triggers depending on user requirements.

49.5.6 Fault Output

The ADC Controller has the FAULT output connected to the FAULT input of PWM. Refer to [Section 49.6.15 Fault Output](#) and to Section PWM.

49.5.7 Conversion Performances

For performance and electrical characteristics of the ADC, see [Section 54. Electrical Characteristics](#).

49.6 Functional Description

49.6.1 Analog-to-Digital Conversion

ADC conversions are sequenced by two operating times: the tracking time and the conversion time.

- The tracking time represents the time between the channel selection change and the time for the controller to start the ADC.
- The conversion time represents the time for the ADC to convert the analog signal.

In order to ensure a conversion with minimum error, after any start of conversion, the ADC controller waits a number of ADC clock cycles (called transfer time) before changing the channel selection again (and so starts a new tracking operation).

Figure 49-2: Sequence of ADC Conversions When Tracking Time > Conversion Time

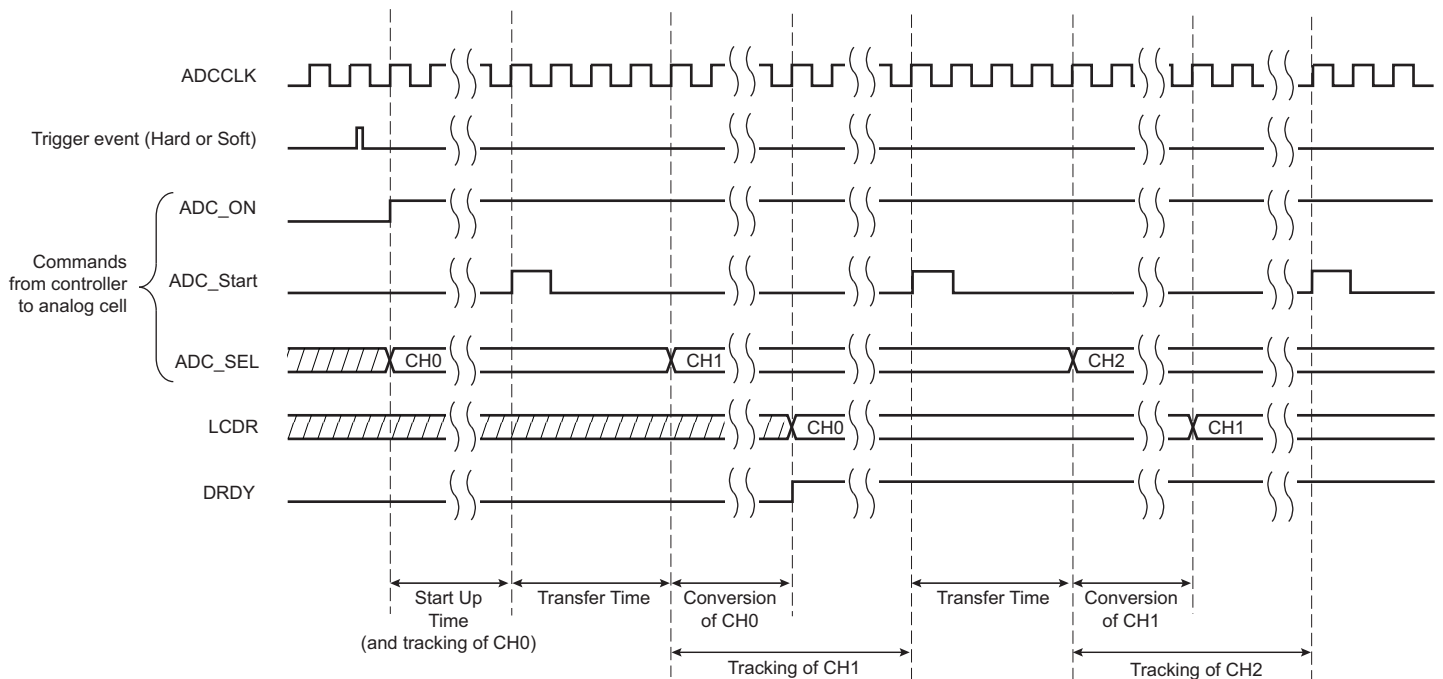
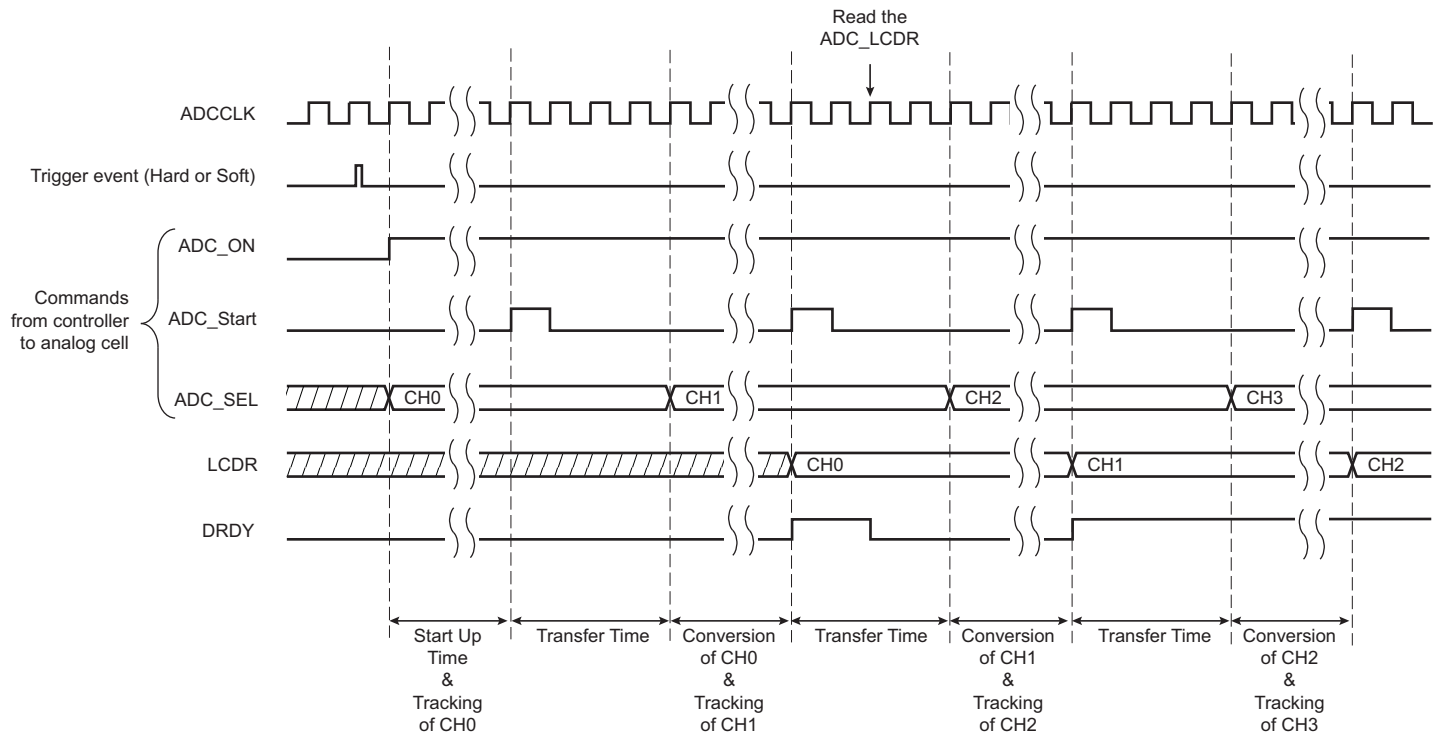


Figure 49-3: Sequence of ADC Conversions When Tracking Time < Conversion Time



49.6.2 ADC Clock

The ADC uses the ADC clock (ADCCLK) to perform conversions. The ADC clock frequency is selected in the PRESCAL field of ADC_MR. The ADC clock frequency is between $f_{\text{peripheral clock}}/2$, if PRESCAL is 0, and $f_{\text{peripheral clock}}/512$, if PRESCAL is set to 255 (0xFF). PRESCAL must be programmed to provide the ADC clock frequency parameter given in the section 'Electrical Characteristics'.

49.6.3 ADC Reference Voltage

The conversion is performed on a full range between 0V and the reference voltage pin ADVREF. Analog inputs between these voltages convert to values based on a linear conversion.

49.6.4 Conversion Resolution

The ADC analog cell features a 12-bit resolution.

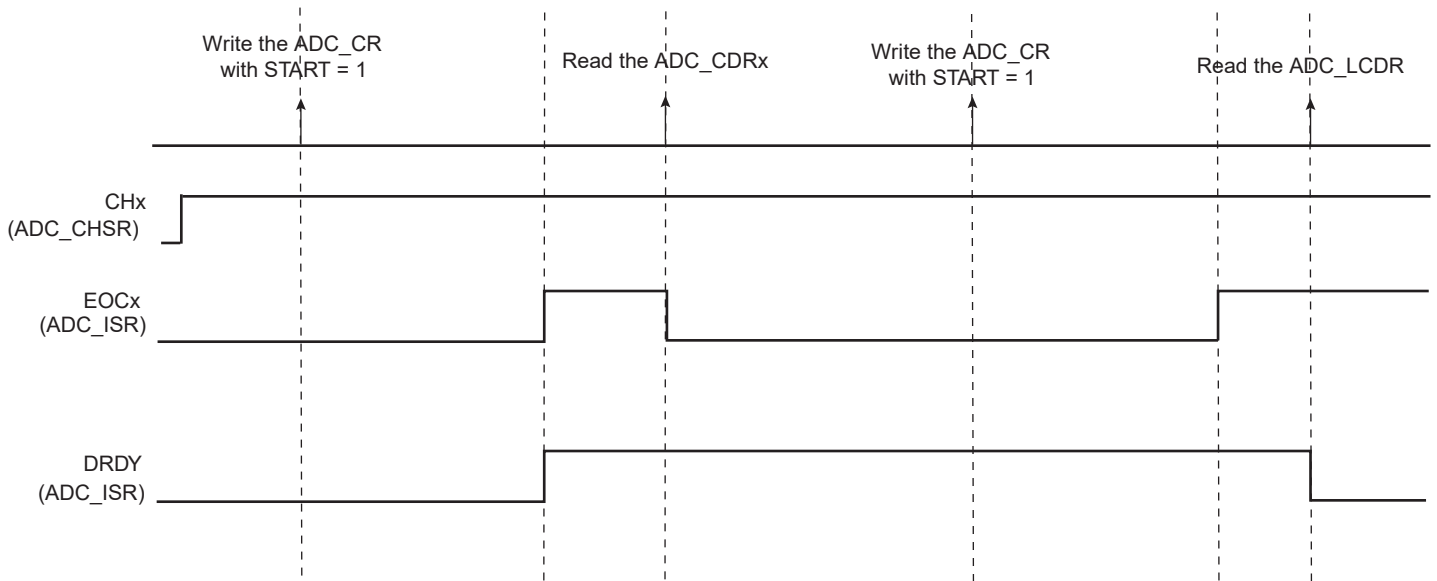
49.6.5 Conversion Results

When a conversion is completed, the resulting digital value is stored in the Channel Data register (ADC_CDRx) of the current channel and in the ADC Last Converted Data register (ADC_LCDR). By setting the TAG option in the Extended Mode Register (ADC_EMR), ADC_LCDR presents the channel number associated with the last converted data in the CHNB field.

The channel EOC bit and the DRDY bit in the Interrupt Status register (ADC_ISR) are set. In the case of a connected DMA channel, DRDY rising triggers a data request. In any case, either EOC and DRDY can trigger an interrupt.

Reading one of the ADC_CDRx clears the corresponding EOC bit. Reading ADC_LCDR clears the DRDY bit.

Figure 49-4: EOCx and DRDY Flag Behavior



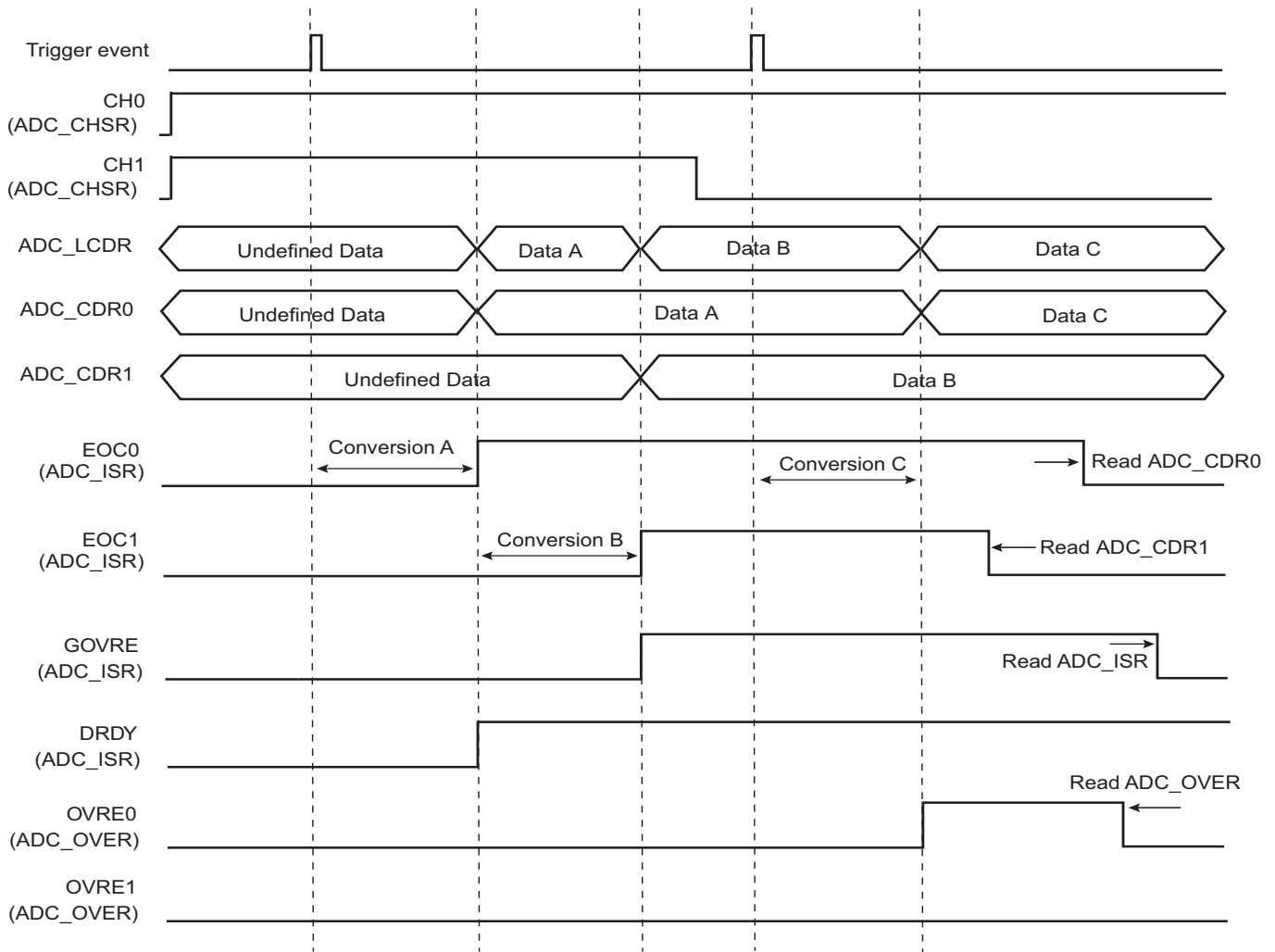
If ADC_CDR is not read before further incoming data is converted, the corresponding OVREx flag is set in the Overrun Status register (ADC_OVER).

New data converted when DRDY is high sets the GOVRE bit in ADC_ISR.

The OVREx flag is automatically cleared when ADC_OVER is read, and the GOVRE flag is automatically cleared when ADC_ISR is read.

SAMA5D3 SERIES

Figure 49-5: EOCx, OVREx and GOVREx Flag Behavior



Warning: If the corresponding channel is disabled during a conversion or if it is disabled and then reenabled during a conversion, its associated data and corresponding EOCx and GOVRE flags in ADC_ISR and OVREx flags in ADC_OVER are unpredictable.

49.6.6 Conversion Triggers

Conversions of the active analog channels are started with a software or hardware trigger. The software trigger is provided by writing the Control register (ADC_CR) with the START bit at 1.

The hardware trigger can be one of the TIOA outputs of the Timer Counter channels, PWM Event line, or the external trigger input of the ADC (ADTRG). The hardware trigger is selected with the TRGSEL field in ADC_MR. The selected hardware trigger is enabled if TRGMOD = 1, 2 or 3 in the ADC Trigger Register (ADC_TRGR).

The minimum time between two consecutive trigger events must be strictly greater than the duration of the longest conversion sequence depending on the configuration of ADC_MR, ADC_CHSR and ADC_SEQRx.

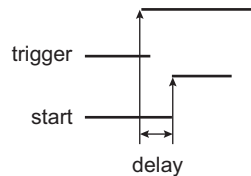
The TRGMOD field in the ADC Trigger register (ADC_TRGR) selects the hardware trigger from the following:

- any edge, either rising or falling or both, detected on the external trigger pin ADTRG
- the Pen Detect, depending on how the PENDET bit is set in the ADC Touchscreen Mode register (ADC_TSMR)
- a continuous trigger, meaning the ADC Controller restarts the next sequence as soon as it finishes the current one
- a periodic trigger, which is defined by programming the TRGPER field in ADC_TRGR

The minimum time between two consecutive trigger events must be strictly greater than the duration time of the longest conversion sequence according to configuration of registers ADC_MR, ADC_CHSR, ADC_SEQRx, ADC_TSMR.

If a hardware trigger is selected, the start of a conversion is triggered after a delay starting at each rising edge of the selected signal. Due to asynchronous handling, the delay may vary in a range of two peripheral clock periods to one ADC clock period.

Figure 49-6: Hardware Trigger Delay



If one of the TIOA outputs is selected, the corresponding Timer Counter channel must be programmed in Waveform mode.

Only one start command is necessary to initiate a conversion sequence on all the channels. The ADC hardware logic automatically performs the conversions on the active channels, then waits for a new request. The Channel Enable (ADC_CHER) and Channel Disable (ADC_CHDR) registers enable the analog channels to be enabled or disabled independently.

If the ADC is used with a DMA, only the transfers of converted data from enabled channels are performed and the resulting data buffers should be interpreted accordingly.

49.6.7 Sleep Mode and Conversion Sequencer

The ADC Sleep mode maximizes power saving by automatically deactivating the ADC when it is not being used for conversions. Sleep mode is selected by setting the SLEEP bit in ADC_MR.

Sleep mode is managed by a conversion sequencer, which automatically processes the conversions of all channels at lowest power consumption.

This mode can be used when the minimum period of time between two successive trigger events is greater than the startup period of the ADC. See the section 'ADC Characteristics' in [Section 54. Electrical Characteristics](#).

When a start conversion request occurs, the ADC is automatically activated. As the analog cell requires a startup time, the logic waits during this time and starts the conversion on the enabled channels. When all conversions are complete, the ADC is deactivated until the next trigger. Triggers occurring during the sequence are ignored.

A Fast wake-up mode is available in ADC_MR as a compromise between power-saving strategy and responsiveness. Setting the FWUP bit enables the Fast wake-up mode. In Fast wake-up mode the ADC cell is not fully deactivated while no conversion is requested, thereby providing less power saving but faster wakeup.

The conversion sequencer allows automatic processing with minimum processor intervention and optimized power consumption. Conversion sequences can be performed periodically using the internal timer (ADC_TRGR) or the PWM event line. The periodic acquisition of several samples can be processed automatically without any intervention of the processor via the DMA.

The sequence can be customized by programming the Sequence Channel Registers ADC_SEQR1 and ADC_SEQR2 and setting the USEQ bit of the Mode Register (ADC_MR). The user can choose a specific order of channels and can program up to 12 conversions by sequence. The user is free to create a personal sequence by writing channel numbers in ADC_SEQR1 and ADC_SEQR2. Not only can

SAMA5D3 SERIES

channel numbers be written in any sequence, channel numbers can be repeated several times. When the bit USEQ in ADC_MR is set, the fields USCHx in ADC_SEQR1 and ADC_SEQR2 are used to define the sequence. Only enabled USCHx fields will be part of the sequence. Each USCHx field has a corresponding enable, CHx-1, in ADC_CHER.

If all ADC channels (i.e., 12) are used on an application board, there is no restriction of usage of the user sequence. However, if some ADC channels are not enabled for conversion but rather used as pure digital inputs, the respective indexes of these channels cannot be used in the user sequence fields (see ADC_SEQRx). For example, if channel 4 is disabled (ADC_CSR[4] = 0), ADC_SEQRx fields USCH1 up to USCH12 must not contain the value 4. Thus the length of the user sequence may be limited by this behavior.

As an example, if only four channels over 12 (CH0 up to CH3) are selected for ADC conversions, the user sequence length cannot exceed four channels. Each trigger event may launch up to four successive conversions of any combination of channels 0 up to 3 but no more (i.e., in this case the sequence CH0, CH0, CH1, CH1, CH1 is impossible).

A sequence that repeats the same channel several times requires more enabled channels than channels actually used for conversion. For example, the sequence CH0, CH0, CH1, CH1 requires four enabled channels (four free channels on application boards) whereas only CH0, CH1 are really converted.

Note: The reference voltage pins always remain connected in Normal mode as in Sleep mode.

49.6.8 Comparison Window

The ADC Controller features automatic comparison functions. It compares converted values to a low threshold, a high threshold or both, depending on the value of the CMPMODE bit in ADC_EMR. The comparison can be done on all channels or only on the channel specified in the CMPSEL field of ADC_EMR. To compare all channels, the CMPALL bit of ADC_EMR must be set.

Moreover, a filtering option can be set by writing the number of consecutive comparison matches needed to raise the flag. This number can be written and read in the CMPFILTER field of ADC_EMR. The filtering option is dedicated to reinforce the detection of an analog signal overpassing a predefined threshold. The filter is cleared as soon as ADC_SR is read, so this filtering function must be used with peripheral DMA controller and works only when using Interrupt mode (no polling).

The flag can be read on the COMPE bit of the Interrupt Status register (ADC_ISR) and can trigger an interrupt.

The high threshold and the low threshold can be read/write in the Compare Window register (ADC_CWR).

49.6.9 Differential Inputs

The ADC can be used either as a single-ended ADC (DIFF bit = 0 in ADC_COR) or as a fully differential ADC (DIFF bit = 1 in ADC_COR) as shown in [Figure 49-7](#). By default, after a reset, the ADC is in Single-ended mode.

If ANACH is set in ADC_MR, the ADC can apply a different mode on each channel. Otherwise the parameters of CH0 are applied to all channels.

The same inputs are used in Single-ended or Differential mode.

In Single-ended mode, inputs are managed by a 12:1-channel analog multiplexer. In Fully Differential mode, inputs are managed by a 12/2:1-channel analog multiplexer. See [Table 49-4](#).

Table 49-4: Input Pins and Channel Numbers

Input Pin	Channel Number	
	Single-ended Mode	Differential Mode
AD0	CH0	CH0
AD1	CH1	
AD2	CH2	CH1
AD3	CH3	
AD4	CH4	CH2
AD5	CH5	
AD6	CH6	CH3
AD7	CH7	
AD8	CH8	CH4
AD9	CH9	

Table 49-4: Input Pins and Channel Numbers (Continued)

Input Pin	Channel Number	
	Single-ended Mode	Differential Mode
AD10	CH10	CH5
AD11	CH11	

49.6.10 Input Gain and Offset

The ADC has a built-in programmable gain amplifier (PGA) and programmable offset.

The programmable gain amplifier can be set to gains of 1/2, 1, 2 and 4 and can be used either for single-ended applications or for fully differential applications.

If ANACH is set in ADC_MR, the ADC can apply different gain and offset on each channel. Otherwise the parameters of CH0 are applied to all channels.

The gain is configurable through the GAIN bit of the Channel Gain register (ADC_CGR) as shown in [Table 49-5](#).

Table 49-5: Gain of the Sample and Hold Unit

GAIN[1:0]	Gain (DIFFx = 0)	Gain (DIFFx = 1)
0	1	0.5
1	1	1
2	2	2
3	4	2

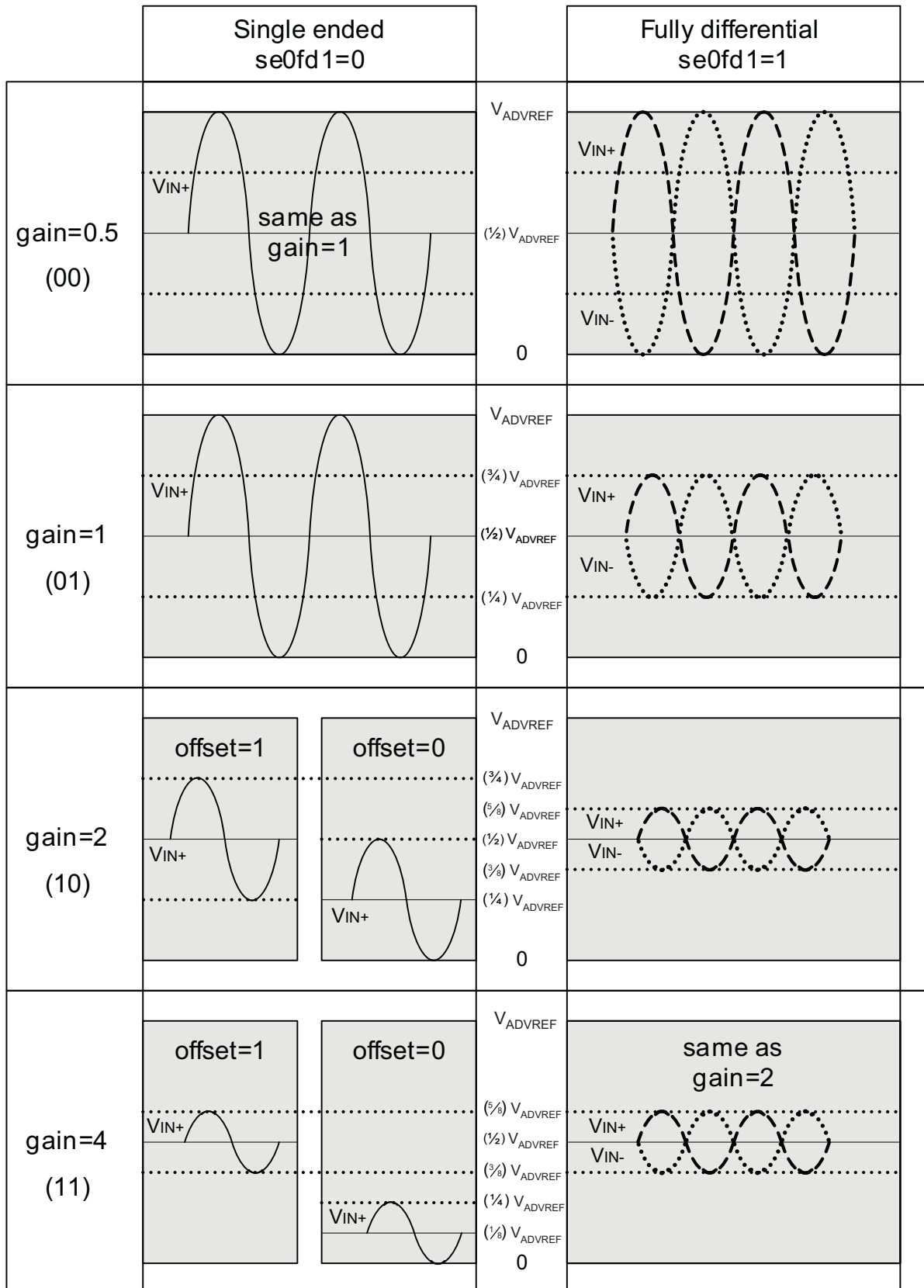
To allow the full range, the analog offset of the ADC can be configured by the OFFx bit of the Channel Offset register (ADC_COR). The offset is only available in Single-ended mode.

Table 49-6: Offset of the Sample and Hold Unit

OFFx Bit	Offset (DIFFx = 0)	Offset (DIFFx = 1)
0	0	0
1	$(G-1)V_{ADVREF}/2$	

SAMA5D3 SERIES

Figure 49-7: Analog Full Scale Ranges in Single-Ended/Differential Applications Versus Gain and Offset



49.6.11 ADC Timings

Each ADC has its own minimal startup time that is programmed through the field STARTUP in ADC_MR.

A minimal tracking time is necessary for the ADC to ensure the best converted final value between two channel selections.

When the gain, offset or differential input parameters of the analog cell change between two channels, the analog cell may need a specific settling time before starting the tracking phase. In that case, the controller automatically waits during the settling time defined in ADC_MR. Obviously, if the ANACH option is not set, this time is unused.

Warning: No input buffer amplifier to isolate the source is included in the ADC. This must be taken into consideration.

49.6.12 Automatic Calibration

The ADC features an Automatic calibration (AUTOCALIB) mode for gain errors (calibration).

The automatic calibration sequence can be started at any time by writing a '1' to the AUTOCAL bit of ADC_CR. The automatic calibration sequence requires a software reset command (SWRST in ADC_CR) prior to writing the AUTOCAL bit. The end of calibration sequence is given by the EOCAL bit in ADC_ISR, and an interrupt is generated if EOCAL interrupt has been enabled (ADC_IER).

The calibration sequence performs an automatic calibration on all enabled channels. The channels required for conversion do not need to be all enabled during the calibration process if they are programmed with the same gain. Only channels with different gain settings need to be enabled. The gain settings of all enabled channels must be set before starting the AUTOCALIB sequence. If the gain settings (ADC_CGR and ADC_COR) for a given channel are changed, the AUTOCALIB sequence must then be started again.

The calibration data on one or more enabled channels is stored in the internal ADC memory.

Then, when a new conversion is started on one or more enabled channels, the converted value (in ADC_LCDR or ADC_CDRx) is a calibrated value.

Autocalibration is for settings, not for channels. Therefore, if a specific combination of gain has already been calibrated and a new channel with the same settings is enabled after the initial calibration, there is no need to restart a calibration. If different enabled channels have different gain settings, the corresponding channels must be enabled before starting the calibration.

If a software reset is performed (bit SWRST = 1 in ADC_CR) or after power-up (or wake-up from Backup mode), the calibration data in the ADC memory is lost.

Changing the ADC reference voltage (ADVREF pin) requires a new calibration sequence.

For calibration time and gain error after calibration, refer to [Section 54.11 12-bit ADC Characteristics](#).

49.6.13 Touchscreen

49.6.13.1 Touchscreen Mode

The TSMODE parameter of the ADC Touchscreen Mode register (ADC_TSMR) is used to enable/disable the touchscreen functionality, to select the type of screen (4-wire or 5-wire) and, in the case of a 4-wire screen and to activate (or not) the pressure measurement.

In 4-wire mode, channel 0, 1, 2 and 3 must not be used for classic ADC conversions. Likewise, in 5-wire mode, channel 0, 1, 2, 3, and 4 must not be used for classic ADC conversions.

49.6.13.2 4-wire Resistive Touchscreen Principles

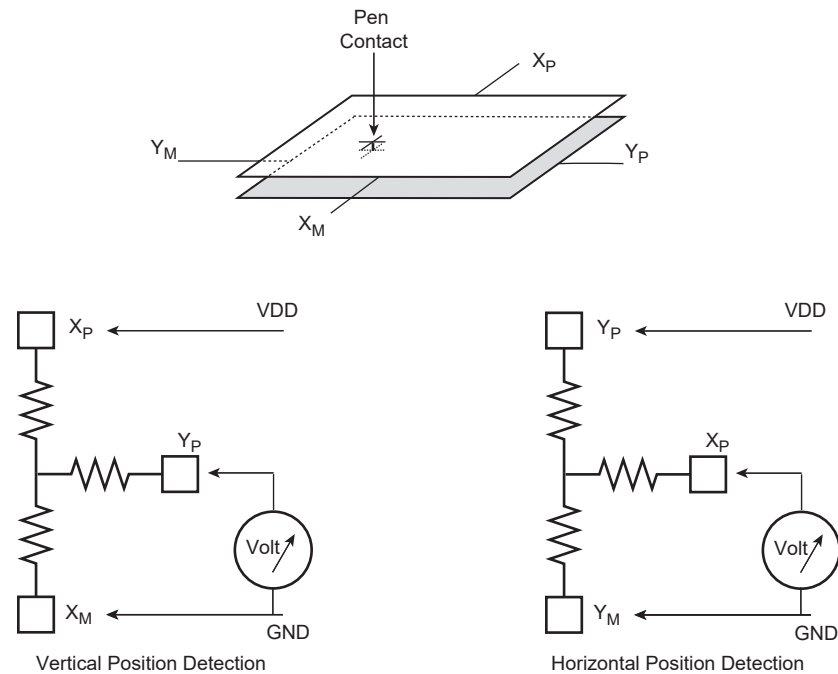
A resistive touchscreen is based on two resistive films, each one being fitted with a pair of electrodes, placed at the top and bottom on one film, and on the right and left on the other. In between, there is a layer acting as an insulator, but also enables contact when you press the screen. This is illustrated in [Figure 49-8](#).

The ADC controller has the ability to perform without external components:

- position measurement
- pressure measurement
- pen detection

SAMA5D3 SERIES

Figure 49-8: Touchscreen Position Measurement



49.6.13.3 4-wire Position Measurement Method

As shown in Figure 49-8, to detect the position of a contact, a supply is first applied from top to bottom. Due to the linear resistance of the film, there is a voltage gradient from top to bottom. When a contact is performed on the screen, the voltage propagates at the point the two surfaces come into contact with the second film. If the input impedance on the right and left electrodes sense is high enough, the film does not affect this voltage, despite its resistive nature.

For the horizontal direction, the same method is used, but by applying supply from left to right. The range depends on the supply voltage and on the loss in the switches that connect to the top and bottom electrodes.

In an ideal world (linear, with no loss through switches), the horizontal position is equal to:

$$VY_M / VDD \text{ or } VY_P / VDD.$$

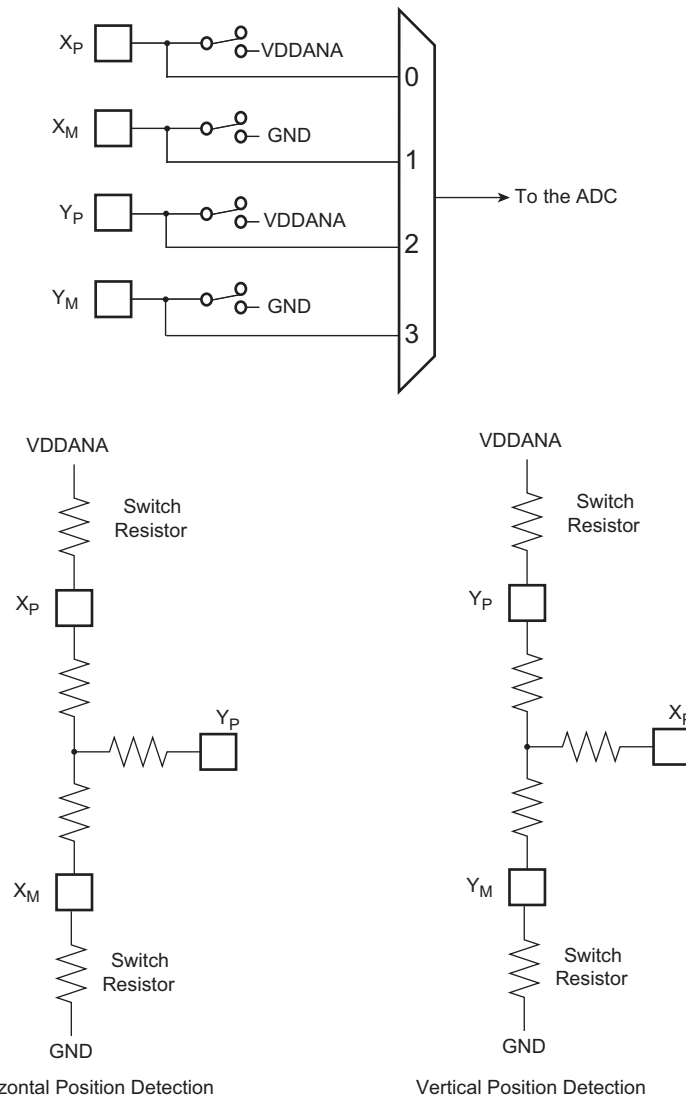
The implementation with on-chip power switches is shown in Figure 49-9. The voltage measurement at the output of the switch compensates for the switches loss.

It is possible to correct for switch loss by performing the operation:

$$[VY_P - VX_M] / [VX_P - VX_M].$$

This requires additional measurements, as shown in Figure 49-9.

Figure 49-9: Touchscreen Switches Implementation



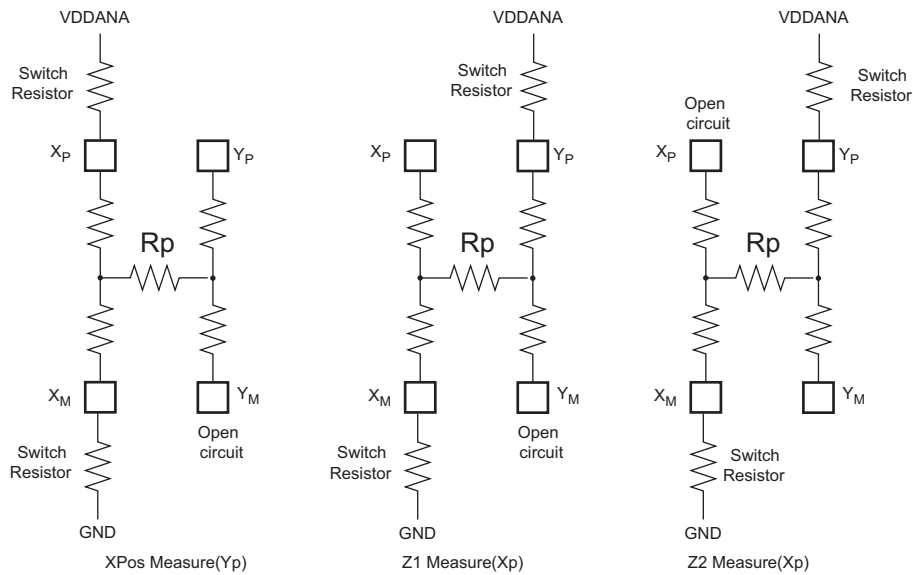
49.6.13.4 4-wire Pressure Measurement Method

The method to measure the pressure (R_p) applied to the touchscreen is based on the known resistance of the X-Panel resistance (R_{xp}). Three conversions (X_{pos}, Z₁, Z₂) are necessary to determine the value of R_p (Z_{axis} resistance).

$$R_p = R_{xp} \times (X_{pos}/1024) \times [(Z_2/Z_1)-1]$$

SAMA5D3 SERIES

Figure 49-10: Pressure Measurement



49.6.13.5 5-wire Resistive Touchscreen Principles

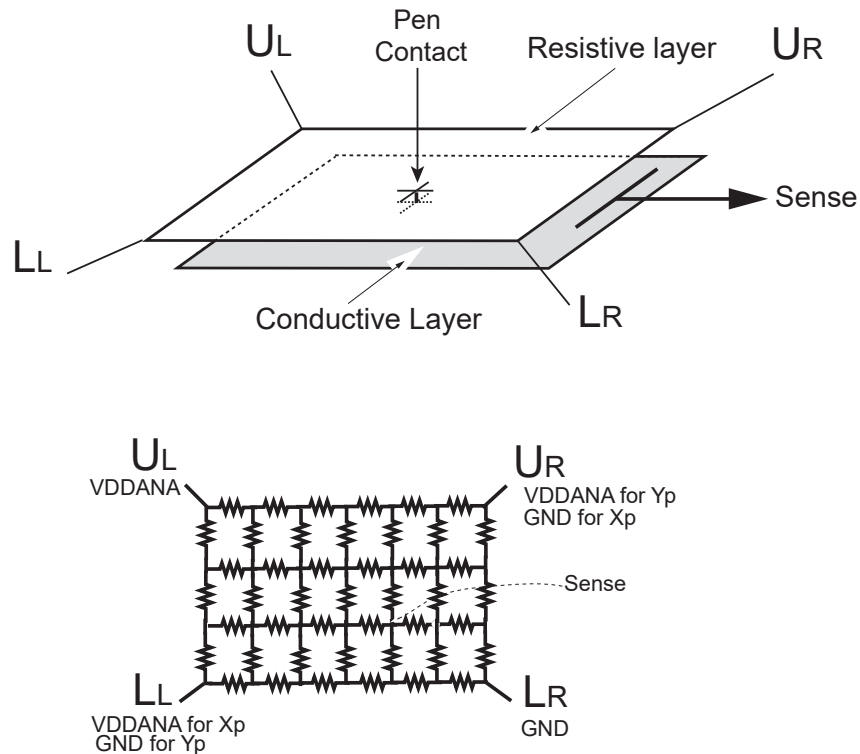
To make a 5-wire touchscreen, a resistive layer with a contact point at each corner and a conductive layer are used.

The 5-wire touchscreen differs from the 4-wire type mainly in that the voltage gradient is applied only to one layer, the resistive layer, while the other layer is the sense layer for both measurements.

The measurement of the X position is obtained by biasing the upper left corner and lower left corner to $VDDANA$ and the upper right corner and lower right to ground.

To measure along the Y axis, bias the upper left corner and upper right corner to $VDDANA$ and bias the lower left corner and lower right corner to ground.

Figure 49-11: 5-Wire Principle



49.6.13.6 5-wire Position Measurement Method

In an application only monitoring clicks, 100 points per second is typically needed. For handwriting or motion detection, the number of measurements to consider is approximately 200 points per second. This must take into account that multiple measurements are included (over sampling, filtering) to compute the correct point.

The 5-wire touchscreen panel works by applying a voltage at the corners of the resistive layer and measuring the vertical or horizontal resistive network with the sense input. The ADC converts the voltage measured at the point the panel is touched.

A measurement of the Y position of the pointing device is made by:

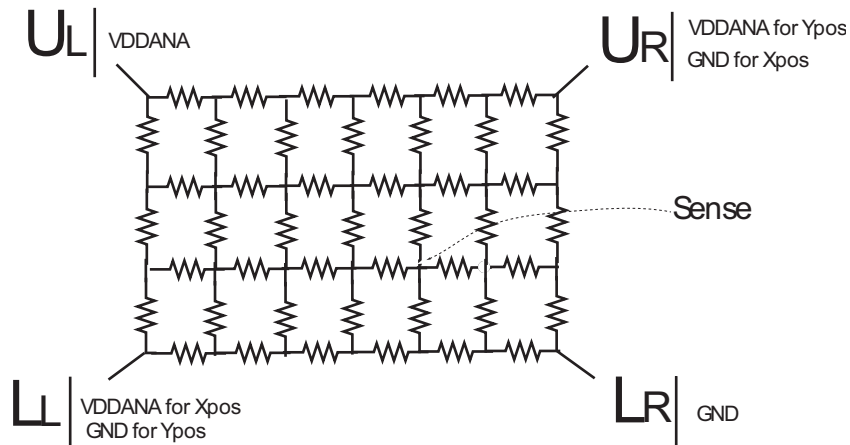
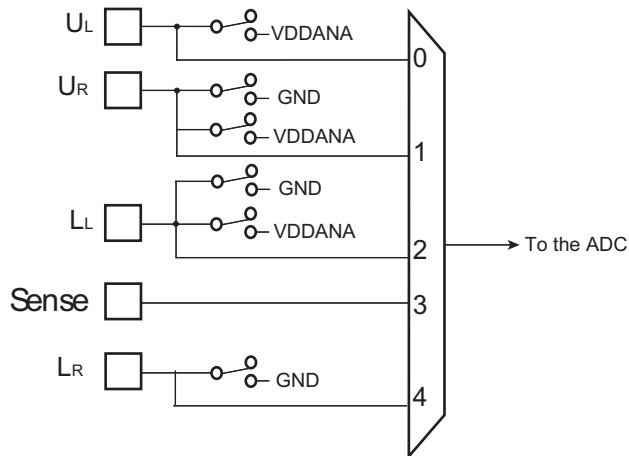
- Connecting Upper left (UL) and upper right (UR) corners to VDDANA
- Connecting Lower left (LL) and lower right (LR) corners to ground.
- The voltage measured is determined by the voltage divider developed at the point of touch (Yposition) and the SENSE input is converted by ADC.

A measurement of the X position of the pointing device is made by:

- Connecting the upper left (UL) and lower left (LL) corners to ground
- Connecting the upper right and lower right corners to VDDANA.
- The voltage measured is determined by the voltage divider developed at the point of touch (Xposition) and the SENSE input is converted by ADC.

SAMA5D3 SERIES

Figure 49-12: Touchscreen Switches Implementation

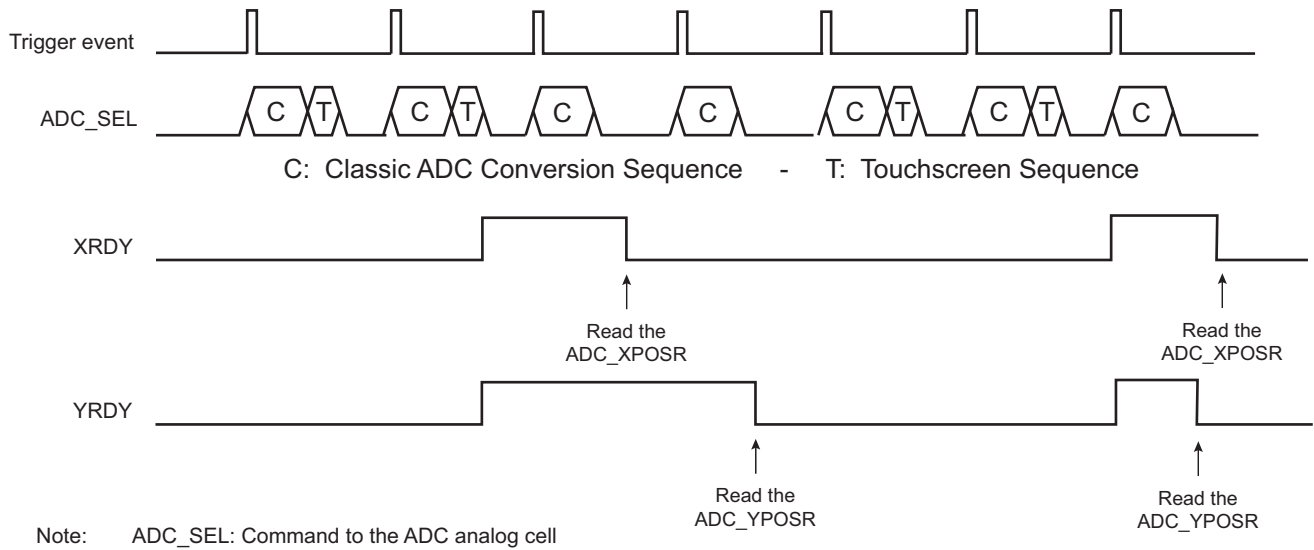


49.6.13.7 Sequence and Noise Filtering

The ADC Controller can manage ADC conversions and touchscreen measurement. On each trigger event the sequence of ADC conversions is performed as described in [Section 49.6.7 Sleep Mode and Conversion Sequencer](#). The touchscreen measure frequency can be specified in number of trigger events by writing the TSFREQ parameter in `ADC_TSMR`. An internal counter counts triggers up to TSFREQ, and every time it rolls out, a touchscreen sequence is appended to the classic ADC conversion sequence (see [Figure 49-13](#)).

Additionally the user can average multiple touchscreen measures by writing the TSAV parameter in `ADC_TSMR`. This can be 1, 2, 4 or 8 measures performed on consecutive triggers as illustrated in [Figure 49-13](#) below. Consequently, the TSFREQ parameter must be greater or equal to the TSAV parameter.

Figure 49-13: Insertion of Touchscreen Sequences (TSFREQ = 2; TSAV = 1)



49.6.13.8 Measured Values, Registers and Flags

As soon as the controller finishes the Touchscreen sequence, XRDY, YRDY and PRDY are set and can generate an interrupt. These flags can be read in the [ADC Interrupt Status register \(ADC_ISR\)](#). They are reset independently by reading in the [ADC Touchscreen X Position register \(ADC_XPOSR\)](#), the [ADC Touchscreen Y Position register \(ADC_YPOSR\)](#) and the [ADC Touchscreen Pressure register \(ADC_PRESSR\)](#).

[ADC_XPOSR](#) presents XPOS ($V_X - V_{Xmin}$) on its LSB and XSCALE ($V_{XMAX} - V_{Xmin}$) aligned on the 16th bit.

[ADC_YPOSR](#) presents YPOS ($V_Y - V_{Ymin}$) on its LSB and YSCALE ($V_{YMAX} - V_{Ymin}$) aligned on the 16th bit.

To improve the quality of the measure, the user must calculate XPOS/XSCALE and YPOS/YSCALE.

V_{XMAX} , V_{Xmin} , V_{YMAX} , and V_{Ymin} are measured at the first start up of the controller. These values can change during use, so it can be necessary to refresh them. Refresh can be done by writing '1' in the TSCALIB field of the control register (ADC_CR).

[ADC_PRESSR](#) presents Z1 on its LSB and Z2 aligned on the 16th bit. See [Section 49.6.13.4 4-wire Pressure Measurement Method](#).

49.6.13.9 Pen Detect Method

When there is no contact, it is not necessary to perform a conversion. However, it is important to detect a contact by keeping the power consumption as low as possible.

The implementation polarizes one panel by closing the switch on (X_p/U_L) and ties the horizontal panel by an embedded resistor connected to Y_M / Sense. This resistor is enabled by a fifth switch. Since there is no contact, no current is flowing and there is no related power consumption. As soon as a contact occurs, a current is flowing in the Touchscreen and a Schmitt trigger detects the voltage in the resistor.

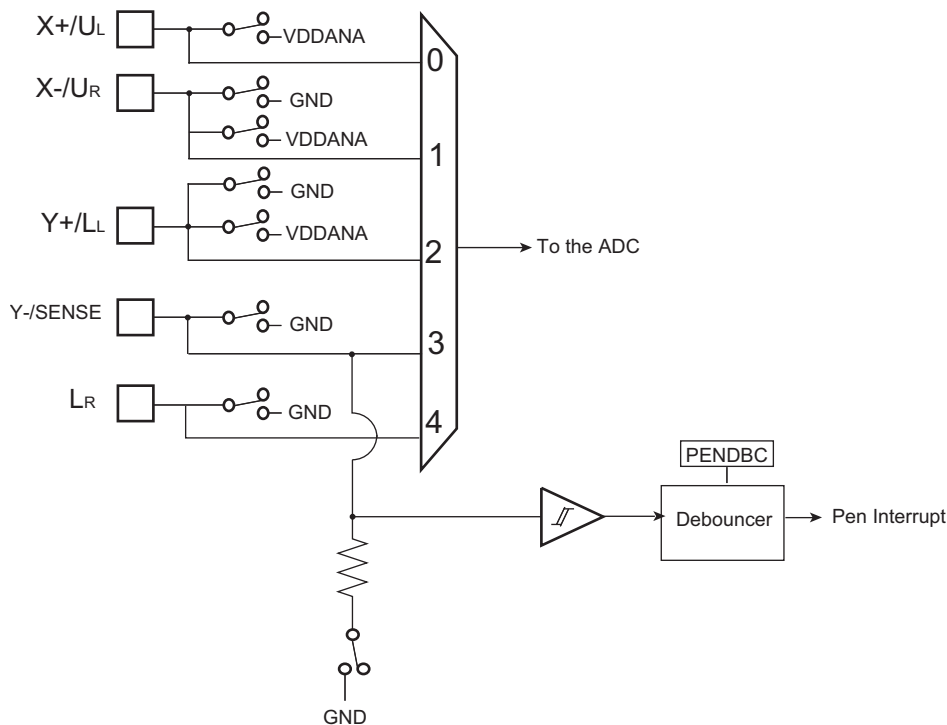
The Touchscreen Interrupt configuration is entered by programming the PENDET bit in ADC_TSMR. If this bit is written at 1, the controller samples the pen contact state when it is not converting and waiting for a trigger.

To complete the circuit, a programmable debouncer is placed at the output of the Schmitt trigger. This debouncer is programmable up to 2^{15} ADC clock periods. The debouncer length can be selected by programming the field PENDBC in ADC_TSMR.

Due to the analog switch's structure, the debouncer circuitry is only active when no conversion (touchscreen or classic ADC channels) is in progress. Thus, if the time between the end of a conversion sequence and the arrival of the next trigger event is lower than the debouncing time configured on PENDBC, the debouncer will not detect any contact.

SAMA5D3 SERIES

Figure 49-14: Touchscreen Pen Detect



The touchscreen pen detect can be used to generate an ADC interrupt to wake up the system. The pen detect generates two types of status, reported in ADC_ISR:

- the PEN bit is set as soon as a contact exceeds the debouncing time as defined by PENDBC and remains set until ADC_ISR is read.
- the NOPEN bit is set as soon as no current flows for a time over the debouncing time as defined by PENDBC and remains set until ADC_ISR is read.

Both bits are automatically cleared as soon as ADC_ISR is read, and can generate an interrupt by writing ADC_IER.

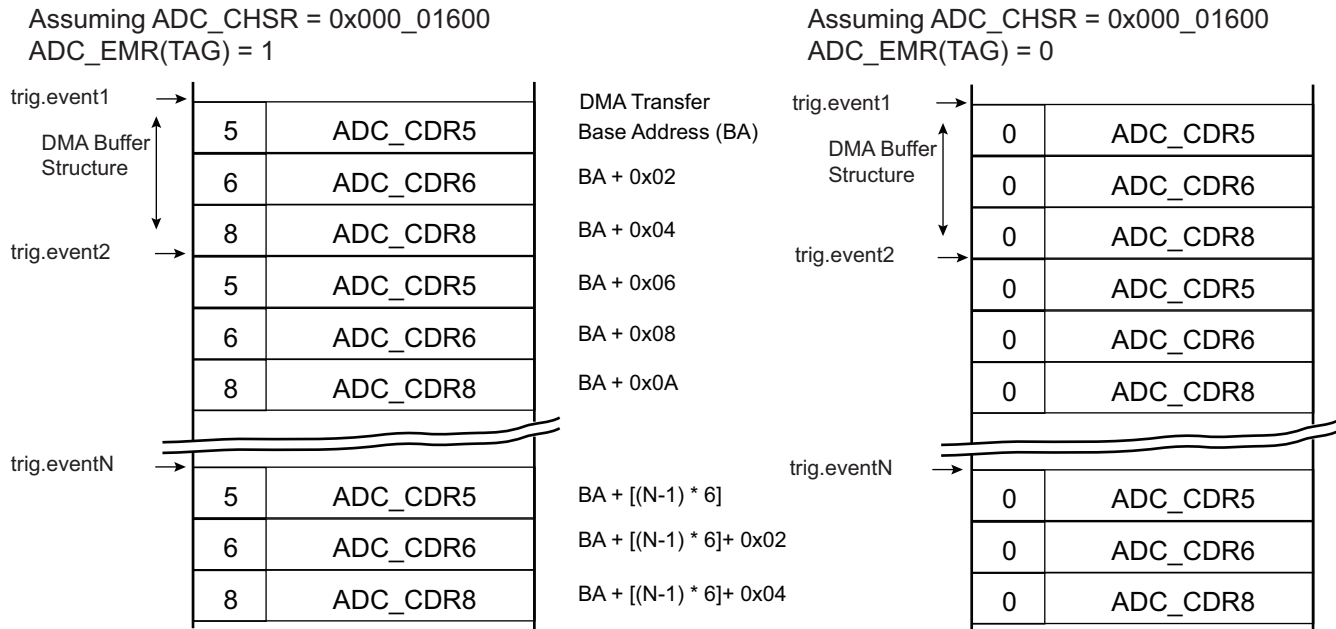
Moreover, the rising of either one of them clears the other, they cannot be set at the same time.

The PENS bit of ADC_ISR shows the current status of the pen contact.

49.6.14 Buffer Structure

The DMA read channel is triggered each time a new data is stored in ADC_LCDR. The same structure of data is repeatedly stored in ADC_LCDR each time a trigger event occurs. Depending on user mode of operation (ADC_MR, ADC_CHSR, ADC_SEQR1, ADC_SEQR2, ADC_TSMR) the structure differs. Each data read to DMA buffer, carried on a half-word (16-bit), consists of last converted data right aligned and when TAG is set in ADC_EMR, the four most significant bits are carrying the channel number thus allowing an easier post-processing in the DMA buffer or better checking the DMA buffer integrity.

Figure 49-15: Buffer Structure



As soon as touchscreen conversions are required, the pen detection function may help the post-processing of the buffer. Refer to [Section 49.6.14.4 Pen Detection Status](#).

49.6.14.1 Classical ADC Channels Only

When no touchscreen conversion is required (i.e., TSMODE = 0 in ADC_TSMR), the structure of data within the buffer is defined by ADC_MR, ADC_CHSR, ADC_SEQRx. See [Figure 49-15](#).

If the user sequence is not used (i.e., USEQ is cleared in ADC_MR) then only the value of ADC_CHSR defines the data structure. For each trigger event, enabled channels will be consecutively stored in ADC_LCDR and automatically read to the buffer.

When the user sequence is configured (i.e., USEQ is set in ADC_MR) not only does ADC_CHSR modify the data structure of the buffer, but ADC_SEQRx registers may modify the data structure of the buffer as well.

49.6.14.2 Touchscreen Channels Only

When only touchscreen conversions are required (i.e., TSMODE ≠ 0 in ADC_TSMR and ADC_CHSR equals 0), the structure of data within the buffer is defined by ADC_TSMR.

When TSMODE = 1 or 3, each trigger event adds two half-words in the buffer (assuming TSAV = 0), first half-word being XPOS of ADC_XPOSR then YPOS of ADC_YPOSR. If TSAV/TSFREQ ≠ 0, the data structure remains unchanged. Not all trigger events add data to the buffer.

When TSMODE = 2, each trigger event adds four half-words to the buffer (assuming TSAV = 0), first half-word being XPOS of ADC_XPOSR followed by YPOS of ADC_YPOSR and finally Z1 followed by Z2, both located in ADC_PRESSR.

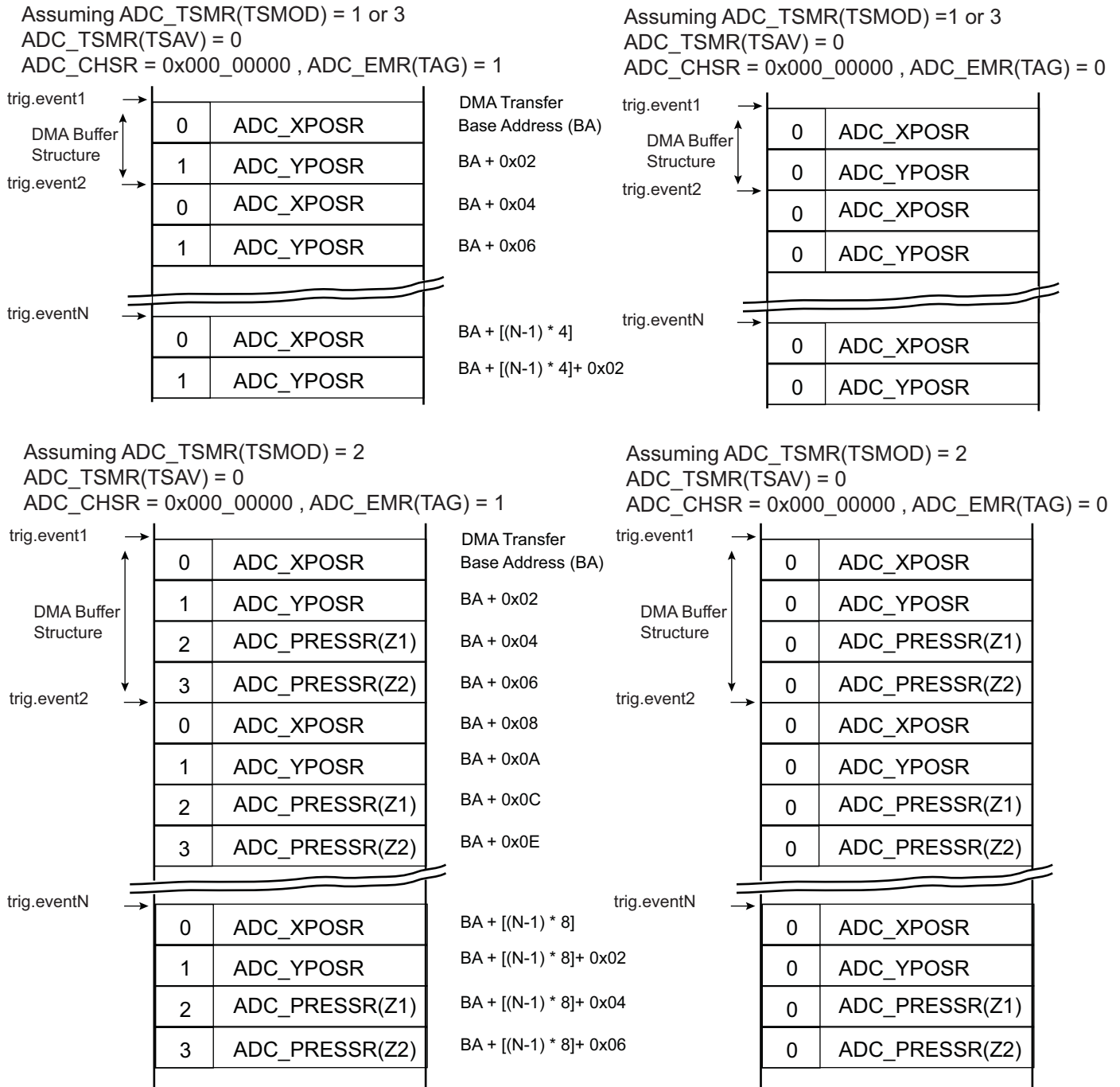
When TAG is set (ADC_EMR), the CHNB field (four most significant bits of ADC_LCDR) is cleared when XPOS is transmitted and set when YPOS is transmitted, allowing an easier post-processing of the buffer or a better checking of the buffer integrity. In case 4-wire with Pressure mode is selected, Z1 value is transmitted to the buffer along with tag set to 2 and Z2 is tagged with value 3.

XSCALE and YSCALE (calibration values) are not transmitted to the buffer because they are supposed to be constant and moreover only measured at the very first start up of the controller or upon user request.

There is no change in buffer structure whatever the value of PENDET bit configuration in ADC_TSMR but it is recommended to use the pen detection function for buffer post-processing (refer to [Section 49.6.14.4 Pen Detection Status](#)).

SAMA5D3 SERIES

Figure 49-16: Buffer Structure When Only Touchscreen Channels are Enabled



49.6.14.3 Interleaved Channels

When both classic ADC channels (CH4/CH5 up to CH12 are set in ADC_CHSR) and touchscreen conversions are required ($TSMODE \neq 0$ in ADC_TSMR) the structure of the buffer differs according to $TSAV$ and $TSFREQ$ values.

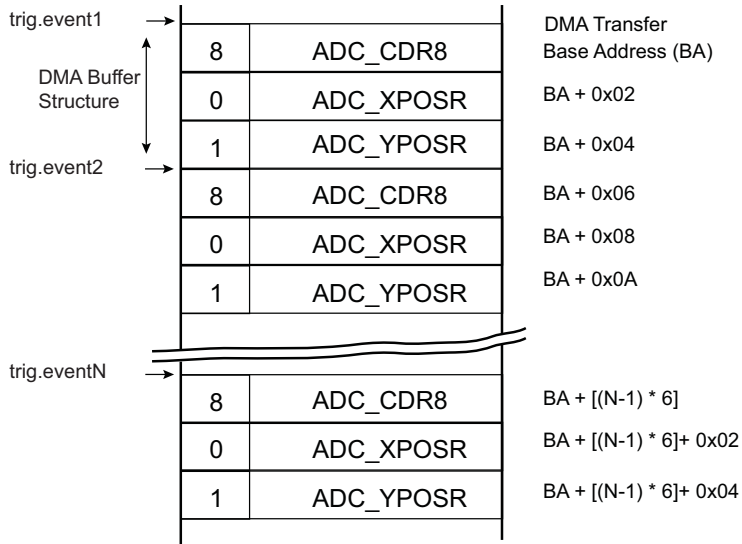
If $TSFREQ \neq 0$, not all events generate touchscreen conversions, therefore the buffer structure is based on 2^{TSFREQ} trigger events. Given a $TSFREQ$ value, the location of touchscreen conversion results depends on $TSAV$ value.

When $TSFREQ = 0$, $TSAV$ must equal 0.

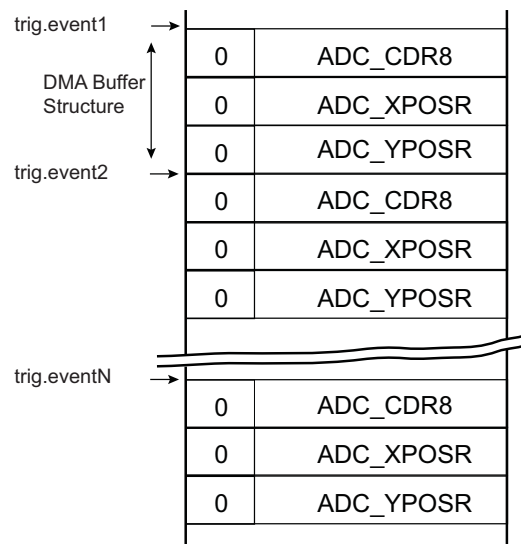
There is no change in buffer structure whatever the value of $PENDET$ bit configuration in ADC_TSMR but it is recommended to use the pen detection function for buffer post-processing (refer to [Section 49.6.14.4 Pen Detection Status](#)).

Figure 49-17: Buffer Structure When Classic ADC and Touchscreen Channels are Interleaved

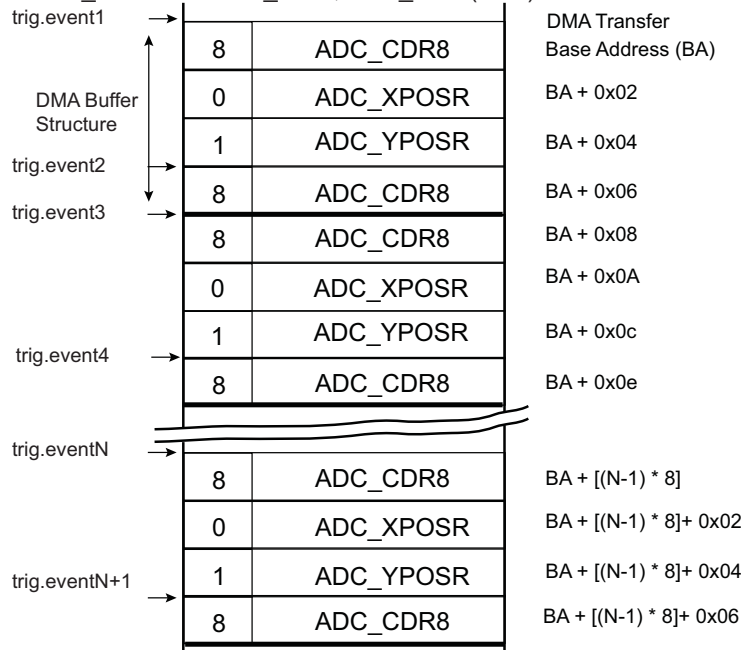
Assuming $ADC_TSMR(TSMOD) = 1$
 $ADC_TSMR(TSAV) = ADC_TSMR(TSFREQ) = 0$
 $ADC_CHSR = 0x000_0100, ADC_EMR(TAG) = 1$



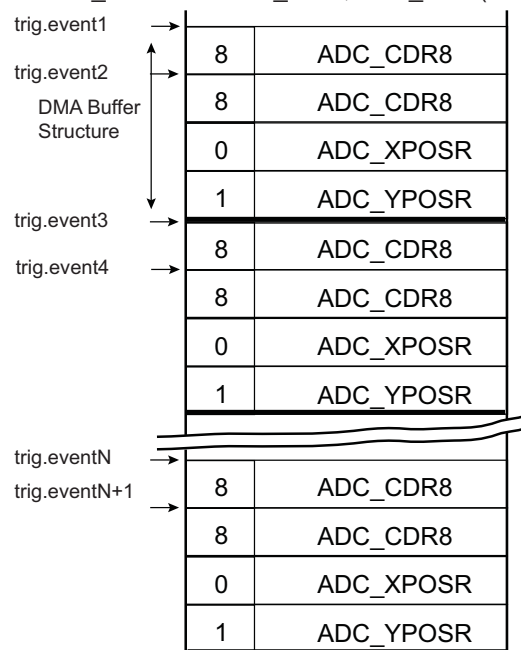
Assuming $ADC_TSMR(TSMOD) = 1$
 $ADC_TSMR(TSAV) = ADC_TSMR(TSFREQ) = 0$
 $ADC_CHSR = 0x000_0100, ADC_EMR(TAG) = 0$



Assuming $ADC_TSMR(TSMOD) = 1$
 $ADC_TSMR(TSAV) = 0, ADC_TSMR(TSFREQ) = 1$
 $ADC_CHSR = 0x000_0100, ADC_EMR(TAG) = 1$



Assuming $ADC_TSMR(TSMOD) = 1$
 $ADC_TSMR(TSAV) = 1, ADC_TSMR(TSFREQ) = 1$
 $ADC_CHSR = 0x000_0100, ADC_EMR(TAG) = 1$



49.6.14.4 Pen Detection Status

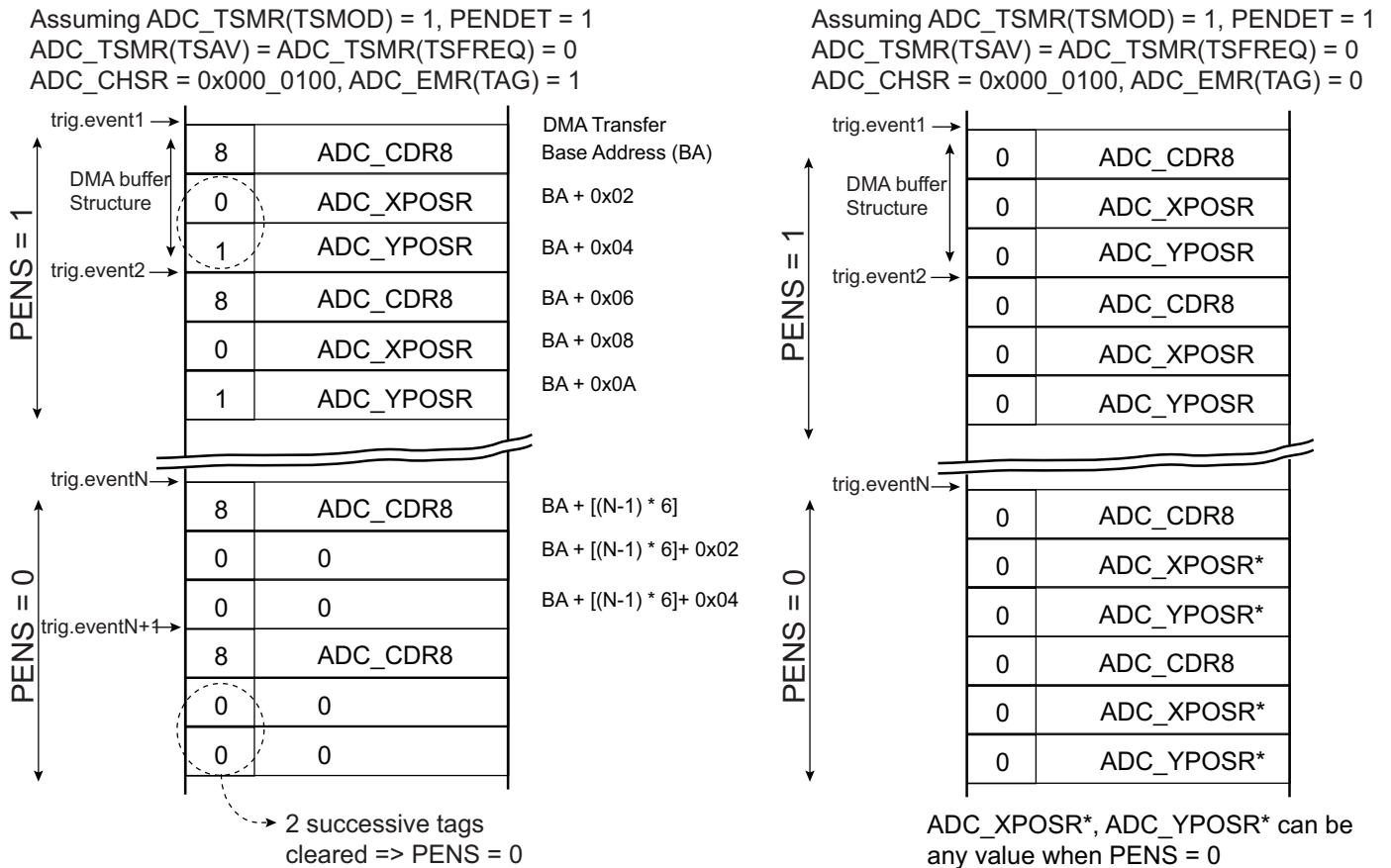
If the pen detection measure is enabled (PENDET is set in ADC_TSMR), the XPOS, YPOS, Z1, Z2 values transmitted to the buffer through ADC_LCDR are cleared (including the CHNB field), if the PENS flag of ADC_ISR is 0. When the PENS flag is set, XPOS, YPOS, Z1, Z2 are normally transmitted.

Therefore, using pen detection together with tag function eases the post-processing of the buffer, especially to determine which touchscreen converted values correspond to a period of time when the pen was in contact with the screen.

SAMA5D3 SERIES

When the pen detection is disabled or the tag function is disabled, XPOS, YPOS, Z1, Z2 are normally transmitted without tag and no relationship can be found with pen status, thus post-processing may not be easy.

Figure 49-18: Buffer Structure With and Without Pen Detection Enabled



49.6.15 Fault Output

The ADC Controller internal fault output is directly connected to PWM fault input. Fault output may be asserted depending on the configuration of ADC_EMR and ADC_CWR and converted values. When the compare occurs, the ADC fault output generates a pulse of one peripheral clock cycle to the PWM fault input. This fault line can be enabled or disabled within PWM. Should it be activated and asserted by the ADC Controller, the PWM outputs are immediately placed in a safe state (pure combinational path). Note that the ADC fault output connected to the PWM is not the COMPE bit. Thus the Fault mode (FMODE) within the PWM configuration must be FMODE = 1.

49.6.16 Register Write Protection

To prevent any single software error from corrupting ADC behavior, certain registers in the address space can be write-protected by setting the WPEN bit in the [ADC Write Protection Mode Register \(ADC_WPMR\)](#).

If a write access to the protected registers is detected, the WPVS flag in the [ADC Write Protection Status Register \(ADC_WPSR\)](#) is set and the field WPVSR indicates the register in which the write access has been attempted.

The WPVS flag is automatically reset by reading ADC_WPSR.

The following registers can be write-protected:

- [ADC Mode Register](#)
- [ADC Channel Sequence 1 Register](#)
- [ADC Channel Sequence 2 Register](#)
- [ADC Channel Enable Register](#)
- [ADC Channel Disable Register](#)
- [ADC Extended Mode Register](#)

- [ADC Compare Window Register](#)
- [ADC Channel Gain Register](#)
- [ADC Channel Offset Register](#)
- [ADC Analog Control Register](#)
- [ADC Touchscreen Mode Register](#)
- [ADC Trigger Register](#)

SAMA5D3 SERIES

49.7 Analog-to-Digital (ADC) User Interface

Table 49-7: Register Mapping

Offset	Register	Name	Access	Reset
0x00	Control Register	ADC_CR	Write-only	–
0x04	Mode Register	ADC_MR	Read/Write	0x00000000
0x08	Channel Sequence Register 1	ADC_SEQR1	Read/Write	0x00000000
0x0C	Channel Sequence Register 2	ADC_SEQR2	Read/Write	0x00000000
0x10	Channel Enable Register	ADC_CHER	Write-only	–
0x14	Channel Disable Register	ADC_CHDR	Write-only	–
0x18	Channel Status Register	ADC_CHSR	Read-only	0x00000000
0x1C	Reserved	–	–	–
0x20	Last Converted Data Register	ADC_LCDR	Read-only	0x00000000
0x24	Interrupt Enable Register	ADC_IER	Write-only	–
0x28	Interrupt Disable Register	ADC_IDR	Write-only	–
0x2C	Interrupt Mask Register	ADC_IMR	Read-only	0x00000000
0x30	Interrupt Status Register	ADC_ISR	Read-only	0x00000000
0x34	Reserved	–	–	–
0x38	Reserved	–	–	–
0x3C	Overrun Status Register	ADC_OVER	Read-only	0x00000000
0x40	Extended Mode Register	ADC_EMR	Read/Write	0x00000000
0x44	Compare Window Register	ADC_CWR	Read/Write	0x00000000
0x48	Channel Gain Register	ADC_CGR	Read/Write	0x00000000
0x4C	Channel Offset Register	ADC_COR	Read/Write	0x00000000
0x50	Channel Data Register 0	ADC_CDR0	Read-only	0x00000000
0x54	Channel Data Register 1	ADC_CDR1	Read-only	0x00000000
...
0x7C	Channel Data Register 11	ADC_CDR11	Read-only	0x00000000
0x80–0x90	Reserved	–	–	–
0x94	Analog Control Register	ADC_ACR	Read/Write	0x00000100
0x98–0xAC	Reserved	–	–	–
0xB0	Touchscreen Mode Register	ADC_TSMR	Read/Write	0x00000000
0xB4	Touchscreen X Position Register	ADC_XPOSR	Read-only	0x00000000
0xB8	Touchscreen Y Position Register	ADC_YPOSR	Read-only	0x00000000
0xBC	Touchscreen Pressure Register	ADC_PRESSR	Read-only	0x00000000
0xC0	Trigger Register	ADC_TRGR	Read/Write	0x00000000
0xC4–0xE0	Reserved	–	–	–

Table 49-7: Register Mapping (Continued)

Offset	Register	Name	Access	Reset
0xE4	Write Protection Mode Register	ADC_WPMR	Read/Write	0x00000000
0xE8	Write Protection Status Register	ADC_WPSR	Read-only	0x00000000
0xEC–0xFC	Reserved	–	–	–

Note: Any offset not listed in the table must be considered as “reserved”.

SAMA5D3 SERIES

49.7.1 ADC Control Register

Name:ADC_CR

Address:0xF8018000

Access:Write-only

31	30	29	28	27	26	25	24
–	–	–	–	–	–	–	–
23	22	21	20	19	18	17	16
–	–	–	–	–	–	–	–
15	14	13	12	11	10	9	8
–	–	–	–	–	–	–	–
7	6	5	4	3	2	1	0
–	–	–	–	AUTOCAL	TSCALIB	START	SWRST

SWRST: Software Reset

0: No effect.

1: Resets the ADC, simulating a hardware reset.

START: Start Conversion

0: No effect.

1: Begins analog-to-digital conversion.

TSCALIB: Touchscreen Calibration

0: No effect.

1: Programs screen calibration (VDD/GND measurement)

If conversion is in progress, the calibration sequence starts at the beginning of a new conversion sequence. If no conversion is in progress, the calibration sequence starts at the second conversion sequence located after the TSCALIB command (Sleep mode, waiting for a trigger event).

TSCALIB measurement sequence does not affect the Last Converted Data Register (ADC_LCDR).

AUTOCAL: Automatic Calibration of ADC

0: No effect.

1: Launches an automatic calibration of the ADC cell on the next sequence.

49.7.2 ADC Mode Register

Name: ADC_MR

Address: 0xF8018004

Access: Read/Write

31	30	29	28	27	26	25	24
USEQ	–	TRANSFER		TRACKTIM			
23	22	21	20	19	18	17	16
ANACH	–	SETTLING		STARTUP			
15	14	13	12	11	10	9	8
PRESCAL							
7	6	5	4	3	2	1	0
–	FWUP	SLEEP	–	TRGSEL			–

This register can only be written if the WPEN bit is cleared in the [ADC Write Protection Mode Register](#).

TRGSEL: Trigger Selection

Value	Name	Description
0	ADC_TRIG0	ADTRG
1	ADC_TRIG1	TIOA0
2	ADC_TRIG2	TIOA1
3	ADC_TRIG3	TIOA2
4	ADC_TRIG4	PWM event line 0
5	ADC_TRIG5	PWM_even line 1
6	ADC_TRIG6	Reserved
7	ADC_TRIG7	Reserved

Note: The trigger selection can be performed only if TRGMOD = 1, 2 or 3 in [ADC Trigger Register](#).

SLEEP: Sleep Mode

Value	Name	Description
0	NORMAL	Normal Mode: The ADC core and reference voltage circuitry are kept ON between conversions.
1	SLEEP	Sleep Mode: The wake-up time can be modified by programming FWUP bit.

FWUP: Fast Wake Up

Value	Name	Description
0	OFF	If SLEEP is 1, then both ADC core and reference voltage circuitry are OFF between conversions
1	ON	If SLEEP is 1, then Fast Wake-up Sleep mode: The voltage reference is ON between conversions and ADC core is OFF

PRESCAL: Prescaler Rate Selection

$$\text{PRESCAL} = (f_{\text{peripheral clock}} / (2 \times f_{\text{ADCCLK}})) - 1.$$

SAMA5D3 SERIES

STARTUP: Startup Time

Value	Name	Description
0	SUT0	0 periods of ADCCLK
1	SUT8	8 periods of ADCCLK
2	SUT16	16 periods of ADCCLK
3	SUT24	24 periods of ADCCLK
4	SUT64	64 periods of ADCCLK
5	SUT80	80 periods of ADCCLK
6	SUT96	96 periods of ADCCLK
7	SUT112	112 periods of ADCCLK
8	SUT512	512 periods of ADCCLK
9	SUT576	576 periods of ADCCLK
10	SUT640	640 periods of ADCCLK
11	SUT704	704 periods of ADCCLK
12	SUT768	768 periods of ADCCLK
13	SUT832	832 periods of ADCCLK
14	SUT896	896 periods of ADCCLK
15	SUT960	960 periods of ADCCLK

SETTLING: Analog Settling Time

Value	Name	Description
0	AST3	3 periods of ADCCLK
1	AST5	5 periods of ADCCLK
2	AST9	9 periods of ADCCLK
3	AST17	17 periods of ADCCLK

ANACH: Analog Change

Value	Name	Description
0	NONE	No analog change on channel switching: DIFF0, GAIN0 and OFF0 are used for all channels.
1	ALLOWED	Allows different analog settings for each channel. See ADC_CGR and ADC_COR registers.

TRACKTIM: Tracking Time

Reserved for future use. Inherent tracking time is always 15 ADC clock cycles.

TRANSFER: Transfer Time

The TRANSFER field should be set to 2 to ensure the optimal transfer time.

USEQ: Use Sequence Enable

Value	Name	Description
0	NUM_ORDER	Normal Mode: The controller converts channels in a simple numeric order depending only on the channel index.
1	REG_ORDER	User Sequence Mode: The sequence respects what is defined in ADC_SEQR1 and ADC_SEQR2 registers and can be used to convert the same channel several times.

49.7.3 ADC Channel Sequence 1 Register

Name:ADC_SEQR1

Address:0xF8018008

Access:Read/Write

31	30	29	28	27	26	25	24
USCH8				USCH7			
23	22	21	20	19	18	17	16
USCH6				USCH5			
15	14	13	12	11	10	9	8
USCH4				USCH3			
7	6	5	4	3	2	1	0
USCH2				USCH1			

This register can only be written if the WPEN bit is cleared in the [ADC Write Protection Mode Register](#).

USCHx: User Sequence Number x

The allowed range is 0 up to 11, thus only the sequencer from CH0 to CH11 can be used.

This register activates only if the USEQ field in ADC_MR field is set to '1'.

Any USCHx field is processed only if the CHx-1 in ADC_CHSR reads logical '1', else any value written in USCHx does not add the corresponding channel in the conversion sequence.

Configuring the same value in different fields leads to multiple samples of the same channel during the conversion sequence. This can be done consecutively, or not, according to user needs.

When configuring consecutive fields with the same value, the associated channel is sampled as many time as the number of consecutive values, this part of the conversion sequence being triggered by a unique event.

SAMA5D3 SERIES

49.7.4 ADC Channel Sequence 2 Register

Name:ADC_SEQR2

Address:0xF801800C

Access:Read/Write

31	30	29	28	27	26	25	24
-				-			
23	22	21	20	19	18	17	16
-				-			
15	14	13	12	11	10	9	8
-				USCH11			
7	6	5	4	3	2	1	0
USCH10				USCH9			

This register can only be written if the WPEN bit is cleared in the [ADC Write Protection Mode Register](#).

USCHx: User Sequence Number x

The sequence number x (USCHx) can be programmed by the Channel number CHy where y is the value written in this field. The allowed range is 0 up to 11. So it is only possible to use the sequencer from CH0 to CH11.

This register activates only if the USEQ field in ADC_MR is set to '1'.

Any USCHx field is processed only if the CHx-1 bit in ADC_CHSR reads logical '1'. Else, any value written in USCHx does not add the corresponding channel in the conversion sequence.

Configuring the same value in different fields leads to multiple samples of the same channel during the conversion sequence. This can be done consecutively, or not, according to user needs.

49.7.5 ADC Channel Enable Register

Name:ADC_CHER

Address:0xF8018010

Access:Write-only

31	30	29	28	27	26	25	24
–	–	–	–	–	–	–	–
23	22	21	20	19	18	17	16
–	–	–	–	–	–	–	–
15	14	13	12	11	10	9	8
–	–	–	–	CH11	CH10	CH9	CH8
7	6	5	4	3	2	1	0
CH7	CH6	CH5	CH4	CH3	CH2	CH1	CH0

This register can only be written if the WPEN bit is cleared in the [ADC Write Protection Mode Register](#).

CHx: Channel x Enable

0: No effect.

1: Enables the corresponding channel.

Note: If USEQ = 1 in ADC_MR, CHx corresponds to the enable of sequence number x+1 described in ADC_SEQR1 and ADC_SEQR2 (e.g. CH0 enables sequence number USCH1).

SAMA5D3 SERIES

49.7.6 ADC Channel Disable Register

Name:ADC_CHDR

Address:0xF8018014

Access:Write-only

31	30	29	28	27	26	25	24
–	–	–	–	–	–	–	–
23	22	21	20	19	18	17	16
–	–	–	–	–	–	–	–
15	14	13	12	11	10	9	8
–	–	–	–	CH11	CH10	CH9	CH8
7	6	5	4	3	2	1	0
CH7	CH6	CH5	CH4	CH3	CH2	CH1	CH0

This register can only be written if the WPEN bit is cleared in the [ADC Write Protection Mode Register](#).

CHx: Channel x Disable

0: No effect.

1: Disables the corresponding channel.

Warning: If the corresponding channel is disabled during a conversion or if it is disabled and then reenabled during a conversion, its associated data and corresponding EOCx and GOVRE flags in ADC_ISR and OVREx flags in ADC_OVER are unpredictable.

49.7.7 ADC Channel Status Register

Name:ADC_CHSR

Address:0xF8018018

Access:Read-only

31	30	29	28	27	26	25	24
–	–	–	–	–	–	–	–
23	22	21	20	19	18	17	16
–	–	–	–	–	–	–	–
15	14	13	12	11	10	9	8
–	–	–	–	CH11	CH10	CH9	CH8
7	6	5	4	3	2	1	0
CH7	CH6	CH5	CH4	CH3	CH2	CH1	CH0

CHx: Channel x Status

0: The corresponding channel is disabled.

1: The corresponding channel is enabled.

SAMA5D3 SERIES

49.7.8 ADC Last Converted Data Register

Name:ADC_LCDR

Address:0xF8018020

Access:Read-only

31	30	29	28	27	26	25	24
–	–	–	–	–	–	–	–
23	22	21	20	19	18	17	16
–	–	–	–	–	–	–	–
15	14	13	12	11	10	9	8
CHNB				LDATA			
7	6	5	4	3	2	1	0
LDATA							

LDATA: Last Data Converted

The analog-to-digital conversion data is placed into this register at the end of a conversion and remains until a new conversion is completed.

CHNB: Channel Number

Indicates the last converted channel when the TAG bit is set in ADC_EMR. If the TAG bit is not set, CHNB = 0.

49.7.9 ADC Interrupt Enable Register

Name:ADC_IER

Address:0xF8018024

Access:Write-only

31	30	29	28	27	26	25	24
–	NOPEN	PEN	–	–	COMPE	GOVRE	DRDY
23	22	21	20	19	18	17	16
EOCAL	PRDY	YRDY	XRDY	–	–	–	–
15	14	13	12	11	10	9	8
–	–	–	–	EOC11	EOC10	EOC9	EOC8
7	6	5	4	3	2	1	0
EOC7	EOC6	EOC5	EOC4	EOC3	EOC2	EOC1	EOC0

The following configuration values are valid for all listed bit names of this register:

0: No effect.

1: Enables the corresponding interrupt.

EOCx: End of Conversion Interrupt Enable x

XRDY: Touchscreen Measure XPOS Ready Interrupt Enable

YRDY: Touchscreen Measure YPOS Ready Interrupt Enable

PRDY: Touchscreen Measure Pressure Ready Interrupt Enable

EOCAL: End of Calibration Sequence

DRDY: Data Ready Interrupt Enable

GOVRE: General Overrun Error Interrupt Enable

COMPE: Comparison Event Interrupt Enable

PEN: Pen Contact Interrupt Enable

NOPEN: No Pen Contact Interrupt Enable

SAMA5D3 SERIES

49.7.10 ADC Interrupt Disable Register

Name:ADC_IDR

Address:0xF8018028

Access:Write-only

31	30	29	28	27	26	25	24
–	NOPEN	PEN	–	–	COMPE	GOVRE	DRDY
23	22	21	20	19	18	17	16
EOCAL	PRDY	YRDY	XRDY	–	–	–	–
15	14	13	12	11	10	9	8
–	–	–	–	EOC11	EOC10	EOC9	EOC8
7	6	5	4	3	2	1	0
EOC7	EOC6	EOC5	EOC4	EOC3	EOC2	EOC1	EOC0

The following configuration values are valid for all listed bit names of this register:

0: No effect.

1: Disables the corresponding interrupt.

EOCx: End of Conversion Interrupt Disable x

XRDY: Touchscreen Measure XPOS Ready Interrupt Disable

YRDY: Touchscreen Measure YPOS Ready Interrupt Disable

PRDY: Touchscreen Measure Pressure Ready Interrupt Disable

EOCAL: End of Calibration Sequence

DRDY: Data Ready Interrupt Disable

GOVRE: General Overrun Error Interrupt Disable

COMPE: Comparison Event Interrupt Disable

PEN: Pen Contact Interrupt Disable

NOPEN: No Pen Contact Interrupt Disable

49.7.11 ADC Interrupt Mask Register

Name:ADC_IMR

Address:0xF801802C

Access:Read-only

31	30	29	28	27	26	25	24
–	NOPEN	PEN	–	–	COMPE	GOVRE	DRDY
23	22	21	20	19	18	17	16
EOCAL	PRDY	YRDY	XRDY	–	–	–	–
15	14	13	12	11	10	9	8
–	–	–	–	EOC11	EOC10	EOC9	EOC8
7	6	5	4	3	2	1	0
EOC7	EOC6	EOC5	EOC4	EOC3	EOC2	EOC1	EOC0

The following configuration values are valid for all listed bit names of this register:

0: The corresponding interrupt is disabled.

1: The corresponding interrupt is enabled.

EOCx: End of Conversion Interrupt Mask x

XRDY: Touchscreen Measure XPOS Ready Interrupt Mask

YRDY: Touchscreen Measure YPOS Ready Interrupt Mask

PRDY: Touchscreen Measure Pressure Ready Interrupt Mask

EOCAL: End of Calibration Sequence

DRDY: Data Ready Interrupt Mask

GOVRE: General Overrun Error Interrupt Mask

COMPE: Comparison Event Interrupt Mask

PEN: Pen Contact Interrupt Mask

NOPEN: No Pen Contact Interrupt Mask

SAMA5D3 SERIES

49.7.12 ADC Interrupt Status Register

Name:ADC_ISR

Address:0xF8018030

Access:Read-only

31	30	29	28	27	26	25	24
PENS	NOPEN	PEN	–	–	COMPE	GOVRE	DRDY
23	22	21	20	19	18	17	16
EOCAL	PRDY	YRDY	XRDY	–	–	–	–
15	14	13	12	11	10	9	8
–	–	–	–	EOC11	EOC10	EOC9	EOC8
7	6	5	4	3	2	1	0
EOC7	EOC6	EOC5	EOC4	EOC3	EOC2	EOC1	EOC0

EOCx: End of Conversion x (automatically set / cleared)

0: The corresponding analog channel is disabled, or the conversion is not finished. This flag is cleared when reading the corresponding ADC_CDRx registers.

1: The corresponding analog channel is enabled and conversion is complete.

XRDY: Touchscreen XPOS Measure Ready (cleared on read)

0: No measure has been performed since the last read of ADC_XPOSR.

1: At least one measure has been performed since the last read of ADC_ISR.

YRDY: Touchscreen YPOS Measure Ready (cleared on read)

0: No measure has been performed since the last read of ADC_YPOSR.

1: At least one measure has been performed since the last read of ADC_ISR.

PRDY: Touchscreen Pressure Measure Ready (cleared on read)

0: No measure has been performed since the last read of ADC_PRESSR.

1: At least one measure has been performed since the last read of ADC_ISR.

EOCAL: End of Calibration Sequence

0: Calibration sequence is ongoing, or no calibration sequence has been requested.

1: Calibration sequence is complete.

DRDY: Data Ready (automatically set / cleared)

0: No data has been converted since the last read of ADC_LCDR.

1: At least one data has been converted and is available in ADC_LCDR.

GOVRE: General Overrun Error (cleared on read)

0: No general overrun error occurred since the last read of ADC_ISR.

1: At least one general overrun error has occurred since the last read of ADC_ISR.

COMPE: Comparison Event (cleared on read)

0: No comparison event since the last read of ADC_ISR.

1: At least one comparison event (defined in ADC_EMR and ADC_CWR) has occurred since the last read of ADC_ISR.

PEN: Pen contact (cleared on read)

0: No pen contact since the last read of ADC_ISR.

1: At least one pen contact since the last read of ADC_ISR.

NOPEN: No Pen Contact (cleared on read)

0: No loss of pen contact since the last read of ADC_ISR.

1: At least one loss of pen contact since the last read of ADC_ISR.

PENS: Pen Detect Status

0: The pen does not press the screen.

1: The pen presses the screen.

Note: PENS is not a source of interruption.

SAMA5D3 SERIES

49.7.13 ADC Overrun Status Register

Name:ADC_OVER

Address:0xF801803C

Access:Read-only

31	30	29	28	27	26	25	24
–	–	–	–	–	–	–	–
23	22	21	20	19	18	17	16
–	–	–	–	–	–	–	–
15	14	13	12	11	10	9	8
–	–	–	–	OVRE11	OVRE10	OVRE9	OVRE8
7	6	5	4	3	2	1	0
OVRE7	OVRE6	OVRE5	OVRE4	OVRE3	OVRE2	OVRE1	OVRE0

OVREx: Overrun Error x

0: No overrun error on the corresponding channel since the last read of ADC_OVER.

1: An overrun error has occurred on the corresponding channel since the last read of ADC_OVER.

49.7.14 ADC Extended Mode Register

Name:ADC_EMR

Address:0xF8018040

Access:Read/Write

31	30	29	28	27	26	25	24
–	–	–	–	–	–	–	TAG
23	22	21	20	19	18	17	16
–	–	–	–	–	–	–	–
15	14	13	12	11	10	9	8
–	–	CMPFILTER		–	–	CMPALL	–
7	6	5	4	3	2	1	0
CMPSEL				–	–	CMPMODE	

This register can only be written if the WPEN bit is cleared in the [ADC Write Protection Mode Register](#).

CMPMODE: Comparison Mode

Value	Name	Description
0	LOW	Generates an event when the converted data is lower than the low threshold of the window.
1	HIGH	Generates an event when the converted data is higher than the high threshold of the window.
2	IN	Generates an event when the converted data is in the comparison window.
3	OUT	Generates an event when the converted data is out of the comparison window.

CMPSEL: Comparison Selected Channel

If CMPALL = 0: CMPSEL indicates which channel has to be compared.

If CMPALL = 1: No effect.

CMPALL: Compare All Channels

0: Only channel indicated in CMPSEL field is compared.

1: All channels are compared.

CMPFILTER: Compare Event Filtering

Number of consecutive compare events necessary to raise the flag = CMPFILTER+1

When programmed to 0, the flag rises as soon as an event occurs.

Refer to [Section 49.6.8 Comparison Window](#) when using filtering option (CMPFILTER > 0).

TAG: Tag of ADC_LCDR

0: Sets CHNB field to zero in ADC_LCDR.

1: Appends the channel number to the conversion result in ADC_LCDR.

SAMA5D3 SERIES

49.7.15 ADC Compare Window Register

Name:ADC_CWR

Address:0xF8018044

Access:Read/Write

31	30	29	28	27	26	25	24
–	–	–	–	HIGHTHRES			
23	22	21	20	19	18	17	16
HIGHTHRES							
15	14	13	12	11	10	9	8
–	–	–	–	LOWTHRES			
7	6	5	4	3	2	1	0
LOWTHRES							

This register can only be written if the WPEN bit is cleared in the [ADC Write Protection Mode Register](#).

LOWTHRES: Low Threshold

Low threshold associated to compare settings of ADC_EMR.

HIGHTHRES: High Threshold

High threshold associated to compare settings of ADC_EMR.

49.7.16 ADC Channel Gain Register

Name:ADC_CGR

Address:0xF8018048

Access:Read/Write

31	30	29	28	27	26	25	24
-		-		-		-	
23	22	21	20	19	18	17	16
GAIN11		GAIN10		GAIN9		GAIN8	
15	14	13	12	11	10	9	8
GAIN7		GAIN6		GAIN5		GAIN4	
7	6	5	4	3	2	1	0
GAIN3		GAIN2		GAIN1		GAIN0	

This register can only be written if the WPEN bit is cleared in the [ADC Write Protection Mode Register](#).

GAINx: Gain for Channel x

Gain applied on input of analog-to-digital converter.

Value	Name	Description
0	SE1_DIFF0_5	Single-ended gain = 1 (ADC_COR.DIFFx = 0), differential gain = 0.5 (ADC_COR.DIFFx = 1)
1	SE1_DIFF1	Single-ended gain = 1 (ADC_COR.DIFFx = 0), differential gain = 1 (ADC_COR.DIFFx = 1)
2	SE2_DIFF2	Single-ended gain = 2 (ADC_COR.DIFFx = 0), differential gain = 2 (ADC_COR.DIFFx = 1)
3	SE4_DIFF2	Single-ended gain = 4 (ADC_COR.DIFFx = 0), differential gain = 2 (ADC_COR.DIFFx = 1)

The DIFFx bit in this table is described in [Section 49.7.17 ADC Channel Offset Register](#).

SAMA5D3 SERIES

49.7.17 ADC Channel Offset Register

Name:ADC_COR

Address:0xF801804C

Access:Read/Write

31	30	29	28	27	26	25	24
–	–	–	–	DIFF11	DIFF10	DIFF9	DIFF8
23	22	21	20	19	18	17	16
DIFF7	DIFF6	DIFF5	DIFF4	DIFF3	DIFF2	DIFF1	DIFF0
15	14	13	12	11	10	9	8
–	–	–	–	OFF11	OFF10	OFF9	OFF8
7	6	5	4	3	2	1	0
OFF7	OFF6	OFF5	OFF4	OFF3	OFF2	OFF1	OFF0

This register can only be written if the WPEN bit is cleared in the [ADC Write Protection Mode Register](#).

OFFx: Offset for Channel x

0: No offset.

1: Centers the analog signal on $V_{ADVREF}/2$ before the gain scaling. The offset applied is

$$(G-1)V_{ADVREF}/2$$

where G is the gain applied (see [Section 49.7.16 ADC Channel Gain Register](#)).

DIFFx: Differential Inputs for Channel x

0: Single-ended mode.

1: Fully differential mode.

49.7.18 ADC Channel Data Register

Name:ADC_CDRx [x=0..11]

Address:0xF8018050

Access:Read/Write

31	30	29	28	27	26	25	24
–	–	–	–	–	–	–	–
23	22	21	20	19	18	17	16
–	–	–	–	–	–	–	–
15	14	13	12	11	10	9	8
–	–	–	–	DATA			
7	6	5	4	3	2	1	0
DATA							

DATA: Converted Data

The analog-to-digital conversion data is placed into this register at the end of a conversion and remains until a new conversion is completed. ADC_CDRx is only loaded if the corresponding analog channel is enabled.

SAMA5D3 SERIES

49.7.19 ADC Analog Control Register

Name:ADC_ACR

Address:0xF8018094

Access:Read/Write

31	30	29	28	27	26	25	24
–	–	–	–	–	–	–	–
23	22	21	20	19	18	17	16
–	–	–	–	–	–	–	–
15	14	13	12	11	10	9	8
–	–	–	–	–	–	–	–
7	6	5	4	3	2	1	0
–	–	–	–	–	–	PENDETSSENS	

This register can only be written if the WPEN bit is cleared in the [ADC Write Protection Mode Register](#).

PENDETSSENS: Pen Detection Sensitivity

Modifies the pen detection input pull-up resistor value. See [Section 54. Electrical Characteristics](#) for further details.

49.7.20 ADC Touchscreen Mode Register

Name:ADC_TSMR

Address:0xF80180B0

Access:Read/Write

31	30	29	28	27	26	25	24
PENDBC				–	–	–	PENDET
23	22	21	20	19	18	17	16
–	NOTSDMA	–	–	TSSCTIM			
15	14	13	12	11	10	9	8
–	–	–	–	TSFREQ			
7	6	5	4	3	2	1	0
–	–	TSAV		–	–	TSMODE	

This register can only be written if the WPEN bit is cleared in the [ADC Write Protection Mode Register](#).

TSMODE: Touchscreen Mode

Value	Name	Description
0	NONE	No Touchscreen
1	4_WIRE_NO_PM	4-wire Touchscreen without pressure measurement
2	4_WIRE	4-wire Touchscreen with pressure measurement
3	5_WIRE	5-wire Touchscreen

When TSMOD equals 01 or 10 (i.e., 4-wire mode), channels 0, 1, 2 and 3 must not be used for classic ADC conversions. When TSMOD equals 11 (i.e., 5-wire mode), channels 0, 1, 2, 3, and 4 must not be used.

TSAV: Touchscreen Average

Value	Name	Description
0	NO_FILTER	No Filtering. Only one ADC conversion per measure
1	AVG2CONV	Averages 2 ADC conversions
2	AVG4CONV	Averages 4 ADC conversions
3	AVG8CONV	Averages 8 ADC conversions

TSFREQ: Touchscreen Frequency

Defines the touchscreen frequency compared to the trigger frequency.

TSFREQ must be greater or equal to TSAV.

The touchscreen frequency is:

$$\text{Touchscreen Frequency} = \text{Trigger Frequency} / 2^{\text{TSFREQ}}$$

TSSCTIM: Touchscreen Switches Closure Time

Defines closure time of analog switches necessary to establish the measurement conditions.

The closure time is:

$$\text{Switch Closure Time} = (\text{TSSCTIM} \times 4) \text{ ADCCLK periods.}$$

SAMA5D3 SERIES

PENDET: Pen Contact Detection Enable

0: Pen contact detection disabled.

1: Pen contact detection enabled.

When PENDET = 1, XPOS, YPOS, Z1, Z2 values of ADC_XPOSR, ADC_YPOSR, ADC_PRESSR are automatically cleared when PENS = 0 in ADC_ISR.

NOTSDMA: No TouchScreen DMA

0: XPOS, YPOS, Z1, Z2 are transmitted in ADC_LCDR.

1: XPOS, YPOS, Z1, Z2 are never transmitted in ADC_LCDR, therefore the buffer does not contains touchscreen values.

PENDBC: Pen Detect Debouncing Period

Debouncing period = 2^{PENDBC} ADCCLK periods.

49.7.21 ADC Touchscreen X Position Register

Name:ADC_XPOSR

Address:0xF80180B4

Access:Read-only

31	30	29	28	27	26	25	24
–	–	–	–	XSCALE			
23	22	21	20	19	18	17	16
XSCALE							
15	14	13	12	11	10	9	8
–	–	–	–	XPOS			
7	6	5	4	3	2	1	0
XPOS							

XPOS: X Position

The position measured is stored here. If XPOS = 0 or XPOS = XSIZE, the pen is on the border.

When pen detection is enabled (PENDET set to '1' in ADC_TSMR), XPOS is tied to 0 while there is no detection of contact on the touchscreen (i.e., when PENS bit is cleared in ADC_ISR).

XSCALE: Scale of XPOS

Indicates the max value that XPOS can reach. This value should be close to 2^{12} .

SAMA5D3 SERIES

49.7.22 ADC Touchscreen Y Position Register

Name:ADC_YPOSR

Address:0xF80180B8

Access:Read-only

31	30	29	28	27	26	25	24
–	–	–	–	YSCALE			
23	22	21	20	19	18	17	16
YSCALE							
15	14	13	12	11	10	9	8
–	–	–	–	YPOS			
7	6	5	4	3	2	1	0
YPOS							

YPOS: Y Position

The position measured is stored here. If YPOS = 0 or YPOS = YSIZE, the pen is on the border.

When pen detection is enabled (PENDET set to '1' in ADC_TSMR), YPOS is tied to 0 while there is no detection of contact on the touchscreen (i.e., when PENS bit is cleared in ADC_ISR).

YSCALE: Scale of YPOS

Indicates the max value that YPOS can reach. This value should be close to 2^{12} .

49.7.23 ADC Touchscreen Pressure Register

Name:ADC_PRESSR

Address:0xF80180BC

Access:Read-only

31	30	29	28	27	26	25	24
–	–	–	–	Z2			
23	22	21	20	19	18	17	16
Z2							
15	14	13	12	11	10	9	8
–	–	–	–	Z1			
7	6	5	4	3	2	1	0
Z1							

Z1: Data of Z1 Measurement

Data Z1 necessary to calculate pen pressure.

When pen detection is enabled (PENDET set to '1' in ADC_TSMR), Z1 is tied to 0 while there is no detection of contact on the touchscreen (i.e., when PENS bit is cleared in ADC_ISR).

Z2: Data of Z2 Measurement

Data Z2 necessary to calculate pen pressure.

When pen detection is enabled (PENDET set to '1' in ADC_TSMR), Z2 is tied to 0 while there is no detection of contact on the touchscreen (i.e., when PENS bit is cleared in ADC_ISR).

Note: These two values are unavailable if TSMODE is not set to 2 in ADC_TSMR.

SAMA5D3 SERIES

49.7.24 ADC Trigger Register

Name: ADC_TRGR

Address: 0xF80180C0

Access: Read/Write

31	30	29	28	27	26	25	24
TRGPER							
23	22	21	20	19	18	17	16
TRGPER							
15	14	13	12	11	10	9	8
–	–	–	–	–	–	–	–
7	6	5	4	3	2	1	0
–	–	–	–	–	TRGMOD		

TRGMOD: Trigger Mode

Value	Name	Description
0	NO_TRIGGER	No trigger, only software trigger can start conversions
1	EXT_TRIG_RISE	External trigger rising edge
2	EXT_TRIG_FALL	External trigger falling edge
3	EXT_TRIG_ANY	External trigger any edge
4	PEN_TRIG	Pen Detect Trigger (shall be selected only if PENDET is set and TSAMOD = Touchscreen only mode)
5	PERIOD_TRIG	ADC internal periodic trigger (see field TRGPER)
6	CONTINUOUS	Continuous Mode

TRGPER: Trigger Period

Effective only if TRGMOD defines a periodic trigger.

Defines the periodic trigger period, with the following equation:

$$\text{Trigger Period} = (\text{TRGPER} + 1) / \text{ADCCLK}$$

The minimum time between two consecutive trigger events must be strictly greater than the duration time of the longest conversion sequence depending on the configuration of registers ADC_MR, ADC_CHSR, ADC_SEQRx, ADC_TSMR.

When TRGMOD is set to pen detect trigger (i.e., 100) and averaging is used (i.e., field TSAV \neq 0 in ADC_TSMR) only one measure is performed. Thus, XRDY, YRDY, PRDY, DRDY will not rise on pen contact trigger. To achieve measurement, several triggers must be provided either by software or by setting the TRGMOD on continuous trigger (i.e., 110) until flags rise.

49.7.25 ADC Write Protection Mode Register

Name:ADC_WPMR

Address:0xF80180E4

Access:Read/Write

31	30	29	28	27	26	25	24
WPKEY							
23	22	21	20	19	18	17	16
WPKEY							
15	14	13	12	11	10	9	8
WPKEY							
7	6	5	4	3	2	1	0
-	-	-	-	-	-	-	WPEN

WPEN: Write Protection Enable

0: Disables the write protection if WPKEY value corresponds to 0x414443 ("ADC" in ASCII).

1: Enables the write protection if WPKEY value corresponds to 0x414443 ("ADC" in ASCII).

See [Section 49.6.16 Register Write Protection](#) for the list of write-protected registers.

WPKEY: Write Protection Key

Value	Name	Description
0x414443	PASSWD	Writing any other value in this field aborts the write operation of the WPEN bit. Always reads as 0

SAMA5D3 SERIES

49.7.26 ADC Write Protection Status Register

Name:ADC_WPSR

Address:0xF80180E8

Access:Read-only

31	30	29	28	27	26	25	24
–	–	–	–	–	–	–	–
23	22	21	20	19	18	17	16
WPVSR							
15	14	13	12	11	10	9	8
WPVSR							
7	6	5	4	3	2	1	0
–	–	–	–	–	–	–	WPVS

WPVS: Write Protection Violation Status

0: No write protection violation has occurred since the last read of ADC_WPSR.

1: A write protection violation has occurred since the last read of ADC_WPSR. If this violation is an unauthorized attempt to write a protected register, the associated violation is reported into field WPVSR.

WPVSR: Write Protection Violation Source

When WPVS = 1, WPVSR indicates the register address offset at which a write access has been attempted.

50. True Random Number Generator (TRNG)

50.1 Description

The True Random Number Generator (TRNG) passes the American *NIST Special Publication 800-22 (A Statistical Test Suite for Random and Pseudorandom Number Generators for Cryptographic Applications)* and the *Diehard Suite of Tests*.

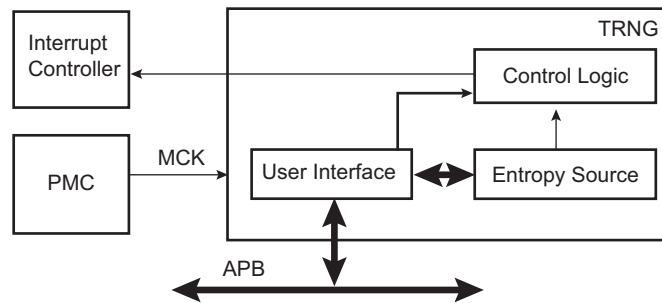
The TRNG may be used as an entropy source for seeding an NIST approved DRNG (Deterministic RNG) as required by FIPS PUB 140-2 and 140-3.

50.2 Embedded Characteristics

- Passes *NIST Special Publication 800-22* Test Suite
- Passes *Diehard Suite of Tests*
- May be used as Entropy Source for seeding an NIST approved DRNG (Deterministic RNG) as required by FIPS PUB 140-2 and 140-3
- Provides a 32-bit Random Number Every 84 Clock Cycles

50.3 Block Diagram

Figure 50-1: TRNG Block Diagram



50.4 Product Dependencies

50.4.1 Power Management

The TRNG interface may be clocked through the Power Management Controller (PMC), thus the programmer must first configure the PMC to enable the TRNG user interface clock. The user interface clock is independent from any clock that may be used in the entropy source logic circuitry. The source of entropy can be enabled before enabling the user interface clock.

50.4.2 Interrupt Sources

The TRNG interface has an interrupt line connected to the Interrupt Controller. In order to handle interrupts, the Interrupt Controller must be programmed before configuring the TRNG.

Table 50-1: Peripheral IDs

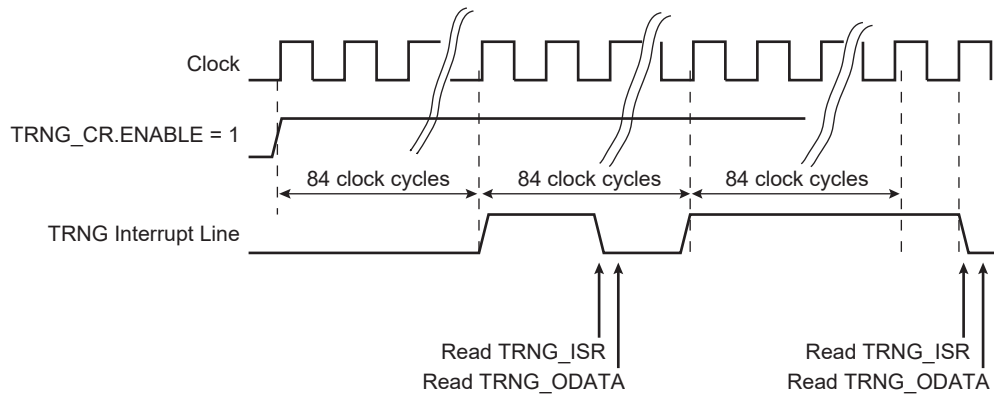
Instance	ID
TRNG	45

50.5 Functional Description

As soon as the TRNG is enabled in the control register (TRNG_CR), the generator provides one 32-bit value every 84 clock cycles. The TRNG interrupt line can be enabled in the TRNG_IER (respectively disabled in the TRNG_IDR). This interrupt is set when a new random value is available and is cleared when the status register (TRNG_ISR) is read. The flag DATRDY of the TRNG_ISR is set when the random data is ready to be read out on the 32-bit output data register (TRNG_ODATA).

The normal mode of operation checks that the status register flag equals 1 before reading the output data register when a 32-bit random value is required by the software application.

Figure 50-2: TRNG Data Generation Sequence



50.6 True Random Number Generator (TRNG) User Interface

Table 50-2: Register Mapping

Offset	Register	Name	Access	Reset
0x00	Control Register	TRNG_CR	Write-only	–
0x04–0x0C	Reserved	–	–	–
0x10	Interrupt Enable Register	TRNG_IER	Write-only	–
0x14	Interrupt Disable Register	TRNG_IDR	Write-only	–
0x18	Interrupt Mask Register	TRNG_IMR	Read-only	0x0000_0000
0x1C	Interrupt Status Register	TRNG_ISR	Read-only	0x0000_0000
0x20–0x4C	Reserved	–	–	–
0x50	Output Data Register	TRNG_ODATA	Read-only	0x0000_0000
0x54–0xFC	Reserved	–	–	–

SAMA5D3 SERIES

50.6.1 TRNG Control Register

Name:TRNG_CR

Address:0xF8040000

Access: Write-only

31	30	29	28	27	26	25	24
KEY							
23	22	21	20	19	18	17	16
KEY							
15	14	13	12	11	10	9	8
KEY							
7	6	5	4	3	2	1	0
–	–	–	–	–	–	–	ENABLE

ENABLE: Enables the TRNG to Provide Random Values

0: Disables the TRNG.

1: Enables the TRNG if 0x524E47 (“RNG” in ASCII) is written in KEY field at the same time.

KEY: Security Key

Value	Name	Description
0x524E47	PASSWD	Writing any other value in this field aborts the write operation.

50.6.2 TRNG Interrupt Enable Register

Name: TRNG_IER

Address: 0xF8040010

Access: Write-only

31	30	29	28	27	26	25	24
–	–	–	–	–	–	–	–
23	22	21	20	19	18	17	16
–	–	–	–	–	–	–	–
15	14	13	12	11	10	9	8
–	–	–	–	–	–	–	–
7	6	5	4	3	2	1	0
–	–	–	–	–	–	–	DATRDY

DATRDY: Data Ready Interrupt Enable

0: No effect.

1: Enables the corresponding interrupt.

SAMA5D3 SERIES

50.6.3 TRNG Interrupt Disable Register

Name: TRNG_IDR

Address: 0xF8040014

Access: Write-only

31	30	29	28	27	26	25	24
–	–	–	–	–	–	–	–
23	22	21	20	19	18	17	16
–	–	–	–	–	–	–	–
15	14	13	12	11	10	9	8
–	–	–	–	–	–	–	–
7	6	5	4	3	2	1	0
–	–	–	–	–	–	–	DATRDY

DATRDY: Data Ready Interrupt Disable

0: No effect.

1: Disables the corresponding interrupt.

50.6.4 TRNG Interrupt Mask Register

Name: TRNG_IMR

Address: 0xF8040018

Access: Read-only

31	30	29	28	27	26	25	24
–	–	–	–	–	–	–	–
23	22	21	20	19	18	17	16
–	–	–	–	–	–	–	–
15	14	13	12	11	10	9	8
–	–	–	–	–	–	–	–
7	6	5	4	3	2	1	0
–	–	–	–	–	–	–	DATRDY

DATRDY: Data Ready Interrupt Mask

0: The corresponding interrupt is not enabled.

1: The corresponding interrupt is enabled.

SAMA5D3 SERIES

50.6.5 TRNG Interrupt Status Register

Name: TRNG_ISR

Address: 0xF804001C

Access: Read-only

31	30	29	28	27	26	25	24
–	–	–	–	–	–	–	–
23	22	21	20	19	18	17	16
–	–	–	–	–	–	–	–
15	14	13	12	11	10	9	8
		–	–	–	–	–	–
7	6	5	4	3	2	1	0
–	–	–	–	–	–	–	DATRDY

DATRDY: Data Ready

0: Output data is not valid or TRNG is disabled.

1: New random value is completed.

DATRDY is cleared when this register is read.

50.6.6 TRNG Output Data Register

Name: TRNG_ODATA

Address: 0xF8040050

Access: Read-only

31	30	29	28	27	26	25	24
ODATA							
23	22	21	20	19	18	17	16
ODATA							
15	14	13	12	11	10	9	8
ODATA							
7	6	5	4	3	2	1	0
ODATA							

ODATA: Output Data

The 32-bit Output Data register contains the 32-bit random data.

SAMA5D3 SERIES

51. Advanced Encryption Standard (AES)

51.1 Description

The Advanced Encryption Standard (AES) is compliant with the American *FIPS (Federal Information Processing Standard) Publication 197* specification.

The AES supports all five confidentiality modes of operation for symmetrical key block cipher algorithms (ECB, CBC, OFB, CFB and CTR), as specified in the *NIST Special Publication 800-38A Recommendation*. It is compatible with all these modes via DMA Controller channels, minimizing processor intervention for large buffer transfers.

The 128-bit/192-bit/256-bit key is stored in four/six/eight 32-bit write-only AES Key Word Registers (AES_KEYWR0–3).

The 128-bit input data and initialization vector (for some modes) are each stored in four 32-bit write-only AES Input Data Registers (AES_IDATAR0–3) and AES Initialization Vector Registers (AES_IVR0–3).

As soon as the initialization vector, the input data and the key are configured, the encryption/decryption process may be started. Then the encrypted/decrypted data are ready to be read out on the four 32-bit AES Output Data Registers (AES_ODATAR0–3) or through the DMA channels.

51.2 Embedded Characteristics

- Compliant with *FIPS Publication 197, Advanced Encryption Standard (AES)*
- 128-bit/192-bit/256-bit Cryptographic Key
- 12/14/16 Clock Cycles Encryption/Decryption Processing Time with a 128-bit/192-bit/256-bit Cryptographic Key
- Double Input Buffer Optimizes Runtime
- Support of the Modes of Operation Specified in the *NIST Special Publication 800-38A*:
 - Electronic Code Book (ECB)
 - Cipher Block Chaining (CBC) including CBC-MAC
 - Cipher Feedback (CFB)
 - Output Feedback (OFB)
 - Counter (CTR)
- 8, 16, 32, 64 and 128-bit Data Sizes Possible in CFB Mode
- Last Output Data Mode Allows Optimized Message Authentication Code (MAC) Generation
- Connection to DMA Optimizes Data Transfers for all Operating Modes

51.3 Product Dependencies

51.3.1 Power Management

The AES may be clocked through the Power Management Controller (PMC), so the programmer must first to configure the PMC to enable the AES clock.

51.3.2 Interrupt Sources

The AES interface has an interrupt line connected to the Interrupt Controller.

Handling the AES interrupt requires programming the Interrupt Controller before configuring the AES.

Table 51-1: Peripheral IDs

Instance	ID
AES	43

51.4 Functional Description

The Advanced Encryption Standard (AES) specifies a FIPS-approved cryptographic algorithm that can be used to protect electronic data. The AES algorithm is a symmetric block cipher that can encrypt (encipher) and decrypt (decipher) information.

Encryption converts data to an unintelligible form called ciphertext. Decrypting the ciphertext converts the data back into its original form, called plaintext. The CIPHER bit in the AES Mode Register (AES_MR) allows selection between the encryption and the decryption processes.

The AES is capable of using cryptographic keys of 128/192/256 bits to encrypt and decrypt data in blocks of 128 bits. This 128-bit/192-bit/256-bit key is defined in the AES_KEYWRx.

The input to the encryption processes of the CBC, CFB, and OFB modes includes, in addition to the plaintext, a 128-bit data block called the initialization vector (IV), which must be set in the AES_IVRx. The initialization vector is used in an initial step in the encryption of a message and in the corresponding decryption of the message. The AES_IVRx are also used by the CTR mode to set the counter value.

51.4.1 AES Register Endianness

In ARM processor-based products, the system bus and processors manipulate data in little-endian form. The AES interface requires little-endian format words. However, in accordance with the protocol of the FIPS 197 specification, data is collected, processed and stored by the AES algorithm in big-endian form.

The following example illustrates how to configure the AES:

If the first 64 bits of a message (according to FIPS 197, i.e., big-endian format) to be processed is 0xcafedeca_01234567, then the AES_IDATAR0 and AES_IDATAR1 registers must be written with the following pattern:

- AES_IDATAR0 = 0xcafedeca
- AES_IDATAR1 = 0x67452301

51.4.2 Operation Modes

The AES supports the following modes of operation:

- ECB: Electronic Code Book
- CBC: Cipher Block Chaining
- OFB: Output Feedback
- CFB: Cipher Feedback
 - CFB8 (CFB where the length of the data segment is 8 bits)
 - CFB16 (CFB where the length of the data segment is 16 bits)
 - CFB32 (CFB where the length of the data segment is 32 bits)
 - CFB64 (CFB where the length of the data segment is 64 bits)
 - CFB128 (CFB where the length of the data segment is 128 bits)
- CTR: Counter

The data pre-processing, post-processing and data chaining for the concerned modes are automatically performed. Refer to the *NIST Special Publication 800-38A* for more complete information.

These modes are selected by setting the OPMOD field in the AES_MR.

In CFB mode, five data sizes are possible (8, 16, 32, 64 or 128 bits), configurable by means of the CFBS field in the AES_MR ([Section 51.5.2 AES Mode Register](#)).

In CTR mode, the size of the block counter embedded in the module is 16 bits. Therefore, there is a rollover after processing 1 megabyte of data. If the file to be processed is greater than 1 megabyte, this file must be split into fragments of 1 megabyte or less for the first fragment if the initial value of the counter is greater than 0. Prior to loading the first fragment into AES_IDATARx, AES_IVRx must be fully programmed with the initial counter value. For any fragment, after the transfer is completed and prior to transferring the next fragment, AES_IVRx must be programmed with the appropriate counter value.

If the initial value of the counter is greater than 0 and the data buffer size to be processed is greater than 1 megabyte, the size of the first fragment to be processed must be 1 megabyte minus $16 \times (\text{initial value})$ to prevent a rollover of the internal 1-bit counter.

To have a sequential increment, the counter value must be programmed with the value programmed for the previous fragment + 2^{16} (or less for the first fragment).

All AES_IVRx fields must be programmed to take into account the possible carry propagation.

51.4.3 Double Input Buffer

The AES_IDATARx can be double-buffered to reduce the runtime of large files.

This mode allows writing a new message block when the previous message block is being processed. This is only possible when DMA accesses are performed (SMOD = 0x2).

The DUALBUFF bit in the AES_MR must be set to '1' to access the double buffer.

51.4.4 Start Modes

The SMOD field in the AES_MR allows selection of the encryption (or decryption) Start mode.

SAMA5D3 SERIES

51.4.4.1 Manual Mode

The sequence order is as follows:

1. Write the AES_MR with all required fields, including but not limited to SMOD and OPMOD.
2. Write the 128-bit/192-bit/256-bit key in the AES_KEYWRx.
3. Write the initialization vector (or counter) in the AES_IVRx.

Note: The AES_IVRx concern all modes except ECB.

4. Set the bit DATRDY (Data Ready) in the AES Interrupt Enable Register (AES_IER), depending on whether an interrupt is required or not at the end of processing.
5. Write the data to be encrypted/decrypted in the authorized AES_IDATARx (see [Table 51-2](#)).
6. Set the START bit in the AES Control Register (AES_CR) to begin the encryption or the decryption process.
7. When processing completes, the DATRDY flag in the AES Interrupt Status Register (AES_ISR) is raised. If an interrupt has been enabled by setting the DATRDY bit in the AES_IER, the interrupt line of the AES is activated.
8. When software reads one of the AES_ODATARx, the DATRDY bit is automatically cleared.

Table 51-2: Authorized Input Data Registers

Operation Mode	Input Data Registers to Write
ECB	All
CBC	All
OFB	All
128-bit CFB	All
64-bit CFB	AES_IDATAR0 and AES_IDATAR1
32-bit CFB	AES_IDATAR0
16-bit CFB	AES_IDATAR0
8-bit CFB	AES_IDATAR0
CTR	All

Note: In 64-bit CFB mode, writing to AES_IDATAR2 and AES_IDATAR3 is not allowed and may lead to errors in processing.

Note: In 32, 16, and 8-bit CFB modes, writing to AES_IDATAR1, AES_IDATAR2 and AES_IDATAR3 is not allowed and may lead to errors in processing.

51.4.4.2 Auto Mode

The Auto Mode is similar to the manual one, except that in this mode, as soon as the correct number of AES_IDATARx is written, processing is automatically started without any action in the AES_CR.

51.4.4.3 DMA Mode

The DMA Controller can be used in association with the AES to perform an encryption/decryption of a buffer without any action by software during processing.

The SMOD field in the AES_MR must be configured to 0x2 and the DMA must be configured with non-incremental addresses.

The start address of any transfer descriptor must be configured with the address of AES_IDATAR0.

The DMA chunk size configuration depends on the AES mode of operation and is listed in [Table 51-3 DMA Data Transfer Type for the Different Operation Modes](#).

When writing data to AES with a first DMA channel, data are first fetched from a memory buffer (source data). It is recommended to configure the size of source data to “words” even for CFB modes. On the contrary, the destination data size depends on the mode of operation. When reading data from the AES with the second DMA channel, the source data is the data read from AES and data destination is the memory buffer. In this case, the source data size depends on the AES mode of operation and is listed in [Table 51-3](#).

Table 51-3: DMA Data Transfer Type for the Different Operation Modes

Operation Mode	Chunk Size	Destination/Source Data Transfer Type
ECB	4	Word
CBC	4	Word
OFB	4	Word
CFB 128-bit	4	Word
CFB 64-bit	1	Word
CFB 32-bit	1	Word
CFB 16-bit	1	Half-word
CFB 8-bit	1	Byte
CTR	4	Word

51.4.5 Last Output Data Mode

This mode is used to generate cryptographic checksums on data (MAC) by means of cipher block chaining encryption algorithm (CBC-MAC algorithm for example).

After each end of encryption/decryption, the output data are available either on the AES_ODATARx for Manual and Auto mode or at the address specified in the receive buffer pointer for DMA mode (see [Table 51-4 Last Output Data Mode Behavior versus Start Modes](#)).

The Last Output Data (LOD) bit in the AES_MR allows retrieval of only the last data of several encryption/decryption processes.

Therefore, there is no need to define a read buffer in DMA mode.

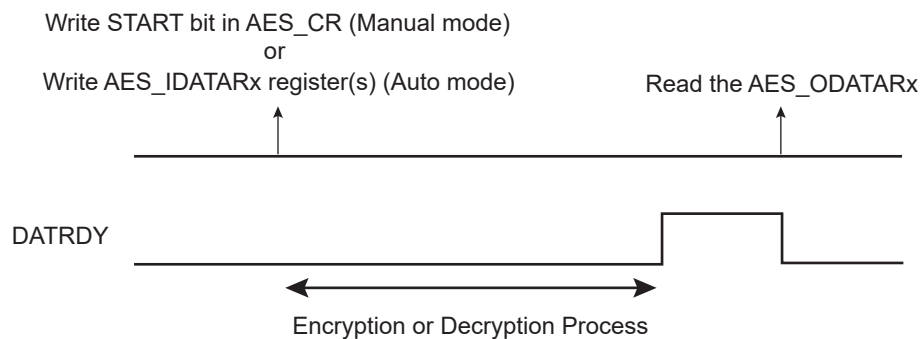
This data are only available on the AES_ODATARx.

51.4.5.1 Manual and Auto Modes

If AES_MR.LOD = 0

The DATRDY flag is cleared when at least one of the AES_ODATARx is read (see [Figure 51-1](#)).

Figure 51-1: Manual and Auto Modes with AES_MR.LOD = 0



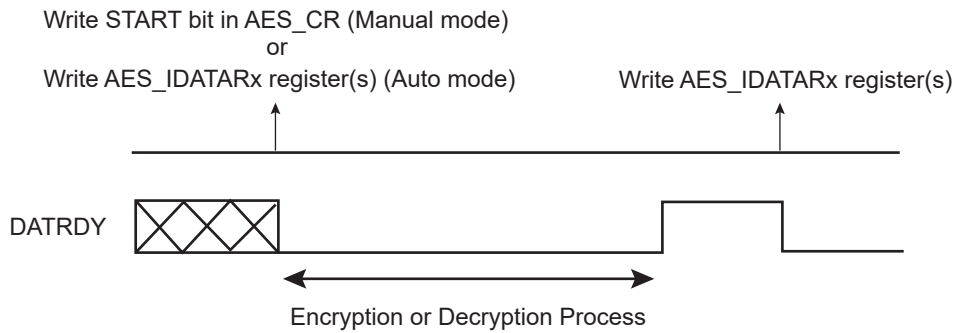
If the user does not want to read the AES_ODATARx between each encryption/decryption, the DATRDY flag will not be cleared. If the DATRDY flag is not cleared, the user cannot know the end of the following encryptions/decryptions.

If AES_MR.LOD = 1

This mode is optimized to process AES CPC-MAC operating mode.

The DATRDY flag is cleared when at least one AES_IDATAR is written (see [Figure 51-2](#)). No more AES_ODATAR reads are necessary between consecutive encryptions/decryptions.

Figure 51-2: Manual and Auto Modes with AES_MR.LOD = 1



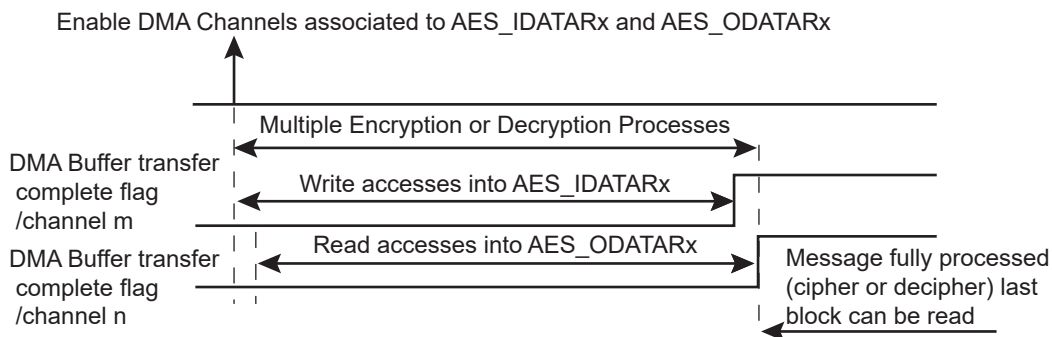
51.4.5.2 DMA Mode

If AES_MR.LOD = 0

This mode may be used for all AES operating modes except CBC-MAC where AES_MR.LOD = 1 mode is recommended.

The end of the encryption/decryption is indicated by the end of DMA transfer associated to AES_ODATARx (see Figure 51-3). Two DMA channels are required: one for writing message blocks to AES_IDATARx and one to obtain the result from AES_ODATARx.

Figure 51-3: DMA Transfer with AES_MR.LOD = 0



If AES_MR.LOD = 1

This mode is optimized to process AES CBC-MAC operating mode.

The user must first wait for the DMA buffer transfer complete flag, then for the flag DATRDY to rise to ensure that the encryption/decryption is completed (see Figure 51-4).

In this case, no receive buffers are required.

The output data are only available on the AES_ODATARx.

Figure 51-4: DMA Transfer with AES_MR.LOD = 1

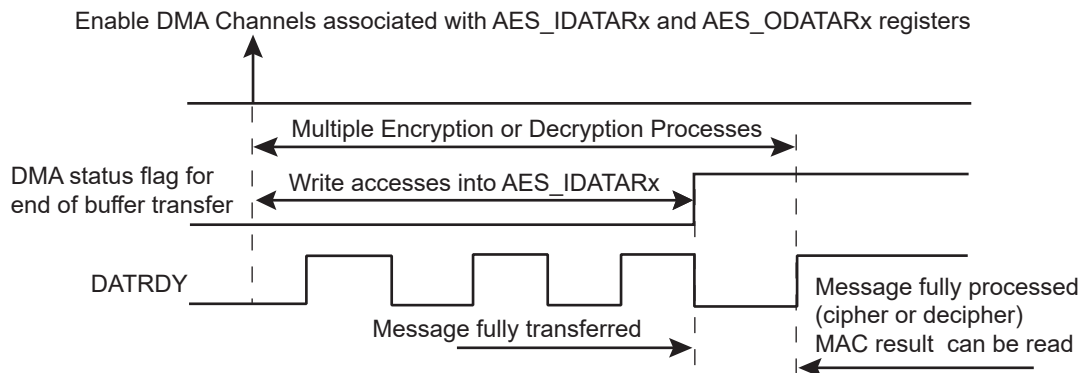


Table 51-4 summarizes the different cases.

Table 51-4: Last Output Data Mode Behavior versus Start Modes

Sequence	Manual and Auto Modes		DMA Transfer	
	AES_MR.LOD = 0	AES_MR.LOD = 1	AES_MR.LOD = 0	AES_MR.LOD = 1
DATRDY Flag Clearing Condition ⁽¹⁾	At least one AES_ODATAR must be read	At least one AES_IDATAR must be written	Not used	Managed by the DMA
End of Encryption/Decryption Notification	DATRDY	DATRDY	2 DMA Buffer transfer complete flags (channel m and channel n)	DMA buffer transfer complete flag, then AES DATRDY flag
Encrypted/Decrypted Data Result Location	In the AES_ODATARx	In the AES_ODATARx	At the address specified in the Channel Buffer Transfer Descriptor	In the AES_ODATARx

Note 1: Depending on the mode, there are other ways of clearing the DATRDY flag. See [Section 51.5.6 AES Interrupt Status Register](#).

Warning: In DMA mode, reading the AES_ODATARx before the last data transfer may lead to unpredictable results.

SAMA5D3 SERIES

51.4.6 Security Features

51.4.6.1 Unspecified Register Access Detection

When an unspecified register access occurs, the URAD flag in the AES_ISR is raised. Its source is then reported in the Unspecified Register Access Type (URAT) field. Only the last unspecified register access is available through the URAT field.

Several kinds of unspecified register accesses can occur:

- Input Data Register written during the data processing when SMOD = IDATAR0_START
- Output Data Register read during data processing
- Mode Register written during data processing
- Output Data Register read during sub-keys generation
- Mode Register written during sub-keys generation
- Write-only register read access

The URAD bit and the URAT field can only be reset by the SWRST bit in the AES_CR.

51.5 Advanced Encryption Standard (AES) User Interface

Table 51-5: Register Mapping

Offset	Register	Name	Access	Reset
0x00	Control Register	AES_CR	Write-only	–
0x04	Mode Register	AES_MR	Read/Write	0x0
0x08–0x0C	Reserved	–	–	–
0x10	Interrupt Enable Register	AES_IER	Write-only	–
0x14	Interrupt Disable Register	AES_IDR	Write-only	–
0x18	Interrupt Mask Register	AES_IMR	Read-only	0x0
0x1C	Interrupt Status Register	AES_ISR	Read-only	0x0
0x20	Key Word Register 0	AES_KEYWR0	Write-only	–
0x24	Key Word Register 1	AES_KEYWR1	Write-only	–
0x28	Key Word Register 2	AES_KEYWR2	Write-only	–
0x2C	Key Word Register 3	AES_KEYWR3	Write-only	–
0x30	Key Word Register 4	AES_KEYWR4	Write-only	–
0x34	Key Word Register 5	AES_KEYWR5	Write-only	–
0x38	Key Word Register 6	AES_KEYWR6	Write-only	–
0x3C	Key Word Register 7	AES_KEYWR7	Write-only	–
0x40	Input Data Register 0	AES_IDATAR0	Write-only	–
0x44	Input Data Register 1	AES_IDATAR1	Write-only	–
0x48	Input Data Register 2	AES_IDATAR2	Write-only	–
0x4C	Input Data Register 3	AES_IDATAR3	Write-only	–
0x50	Output Data Register 0	AES_ODATAR0	Read-only	0x0
0x54	Output Data Register 1	AES_ODATAR1	Read-only	0x0
0x58	Output Data Register 2	AES_ODATAR2	Read-only	0x0
0x5C	Output Data Register 3	AES_ODATAR3	Read-only	0x0
0x60	Initialization Vector Register 0	AES_IVR0	Write-only	–
0x64	Initialization Vector Register 1	AES_IVR1	Write-only	–
0x68	Initialization Vector Register 2	AES_IVR2	Write-only	–
0x6C	Initialization Vector Register 3	AES_IVR3	Write-only	–
0x70–0xAC	Reserved	–	–	–
0xB0–0xFC	Reserved	–	–	–

SAMA5D3 SERIES

51.5.1 AES Control Register

Name: AES_CR

Address: 0xF8038000

Access: Write-only

31	30	29	28	27	26	25	24
–	–	–	–	–	–	–	–
23	22	21	20	19	18	17	16
–	–	–	–	–	–	–	–
15	14	13	12	11	10	9	8
–	–	–	–	–	–	–	SWRST
7	6	5	4	3	2	1	0
–	–	–	–	–	–	–	START

START: Start Processing

0: No effect.

1: Starts manual encryption/decryption process.

SWRST: Software Reset

0: No effect.

1: Resets the AES. A software-triggered hardware reset of the AES interface is performed.

51.5.2 AES Mode Register

Name: AES_MR

Address: 0xF8038004

Access: Read/Write

31	30	29	28	27	26	25	24
–	–	–	–	–	–	–	–
23	22	21	20	19	18	17	16
CKEY				–	CFBS		
15	14	13	12	11	10	9	8
LOD	OPMOD			KEYSIZE		SMOD	
7	6	5	4	3	2	1	0
PROCDLY				DUALBUFF	–	–	CIPHER

CIPHER: Processing Mode

0: Decrypts data.

1: Encrypts data.

DUALBUFF: Dual Input Buffer

Value	Name	Description
0	INACTIVE	AES_IDATARx cannot be written during processing of previous block.
1	ACTIVE	AES_IDATARx can be written during processing of previous block when SMOD = 2. It speeds up the overall runtime of large files.

PROCDLY: Processing Delay

Processing Time = $N \times (\text{PROCDLY} + 1)$

where

$N = 10$ when KEYSIZE = 0

$N = 12$ when KEYSIZE = 1

$N = 14$ when KEYSIZE = 2

The processing time represents the number of clock cycles that the AES needs in order to perform one encryption/decryption.

Note: The best performance is achieved with PROCDLY equal to 0.

SMOD: Start Mode

Value	Name	Description
0	MANUAL_START	Manual Mode
1	AUTO_START	Auto Mode
2	IDATAR0_START	AES_IDATAR0 access only Auto Mode (DMA)

Values which are not listed in the table must be considered as “reserved”.

If a DMA transfer is used, configure SMOD to 0x2. Refer to [Section 51.4.4.3 DMA Mode](#) for more details.

SAMA5D3 SERIES

KEYSIZE: Key Size

Value	Name	Description
0	AES128	AES Key Size is 128 bits
1	AES192	AES Key Size is 192 bits
2	AES256	AES Key Size is 256 bits

Values which are not listed in the table must be considered as “reserved”.

OPMOD: Operation Mode

Value	Name	Description
0	ECB	ECB: Electronic Code Book mode
1	CBC	CBC: Cipher Block Chaining mode
2	OFB	OFB: Output Feedback mode
3	CFB	CFB: Cipher Feedback mode
4	CTR	CTR: Counter mode (16-bit internal counter)

Values which are not listed in the table must be considered as “reserved”.

For CBC-MAC operating mode, set OPMOD to CBC and LOD to 1.

LOD: Last Output Data Mode

0: No effect.

After each end of encryption/decryption, the output data are available either on the output data registers (Manual and Auto modes) or at the address specified in the Channel Buffer Transfer Descriptor for DMA mode.

In Manual and Auto modes, the DATRDY flag is cleared when at least one of the Output Data registers is read.

1: The DATRDY flag is cleared when at least one of the Input Data Registers is written.

No more Output Data Register reads is necessary between consecutive encryptions/decryptions (see [Section 51.4.5 Last Output Data Mode](#)).

Warning: In DMA mode, reading to the Output Data registers before the last data encryption/decryption process may lead to unpredictable results.

CFBS: Cipher Feedback Data Size

Value	Name	Description
0	SIZE_128BIT	128-bit
1	SIZE_64BIT	64-bit
2	SIZE_32BIT	32-bit
3	SIZE_16BIT	16-bit
4	SIZE_8BIT	8-bit

Values which are not listed in table must be considered as “reserved”.

CKEY: Key

Value	Name	Description
0xE	PASSWD	This field must be written with 0xE the first time the AES_MR is programmed. For subsequent programming of the AES_MR, any value can be written, including that of 0xE. Always reads as 0.

51.5.3 AES Interrupt Enable Register

Name: AES_IER

Address: 0xF8038010

Access: Write-only

31	30	29	28	27	26	25	24
–	–	–	–	–	–	–	–
23	22	21	20	19	18	17	16
–	–	–	–	–	–	–	–
15	14	13	12	11	10	9	8
–	–	–	–	–	–	–	URAD
7	6	5	4	3	2	1	0
–	–	–	–	–	–	–	DATRDY

The following configuration values are valid for all listed bit names of this register:

0: No effect.

1: Enables the corresponding interrupt.

DATRDY: Data Ready Interrupt Enable

URAD: Unspecified Register Access Detection Interrupt Enable

SAMA5D3 SERIES

51.5.4 AES Interrupt Disable Register

Name: AES_IDR

Address: 0xF8038014

Access: Write-only

31	30	29	28	27	26	25	24
–	–	–	–	–	–	–	–
23	22	21	20	19	18	17	16
–	–	–	–	–	–	–	–
15	14	13	12	11	10	9	8
–	–	–	–	–	–	–	URAD
7	6	5	4	3	2	1	0
–	–	–	–	–	–	–	DATRDY

The following configuration values are valid for all listed bit names of this register:

0: No effect.

1: Disables the corresponding interrupt.

DATRDY: Data Ready Interrupt Disable

URAD: Unspecified Register Access Detection Interrupt Disable

51.5.5 AES Interrupt Mask Register

Name: AES_IMR

Address: 0xF8038018

Access: Read-only

31	30	29	28	27	26	25	24
–	–	–	–	–	–	–	–
23	22	21	20	19	18	17	16
–	–	–	–	–	–	–	–
15	14	13	12	11	10	9	8
–	–	–	–	–	–	–	URAD
7	6	5	4	3	2	1	0
–	–	–	–	–	–	–	DATRDY

The following configuration values are valid for all listed bit names of this register:

0: The corresponding interrupt is not enabled.

1: The corresponding interrupt is enabled.

DATRDY: Data Ready Interrupt Mask

URAD: Unspecified Register Access Detection Interrupt Mask

SAMA5D3 SERIES

51.5.6 AES Interrupt Status Register

Name: AES_ISR

Address: 0xF803801C

Access: Read-only

31	30	29	28	27	26	25	24
–	–	–	–	–	–	–	–
23	22	21	20	19	18	17	16
–	–	–	–	–	–	–	–
15	14	13	12	11	10	9	8
URAT				–	–	–	URAD
7	6	5	4	3	2	1	0
–	–	–	–	–	–	–	DATRDY

DATRDY: Data Ready (cleared by setting bit START or bit SWRST in AES_CR or by reading AES_ODATARx)

0: Output data not valid.

1: Encryption or decryption process is completed.

Note: If AES_MR.LOD = 1: In Manual and Auto mode, the DATRDY flag can also be cleared by writing at least one AES_IDATARx.

URAD: Unspecified Register Access Detection Status (cleared by writing SWRST in AES_CR)

0: No unspecified register access has been detected since the last SWRST.

1: At least one unspecified register access has been detected since the last SWRST.

URAT: Unspecified Register Access (cleared by writing SWRST in AES_CR)

Value	Name	Description
0	IDR_WR_PROCESSING	Input Data Register written during the data processing when SMOD = 0x2 mode.
1	ODR_RD_PROCESSING	Output Data Register read during the data processing.
2	MR_WR_PROCESSING	Mode Register written during the data processing.
3	ODR_RD_SUBKGEN	Output Data Register read during the sub-keys generation.
4	MR_WR_SUBKGEN	Mode Register written during the sub-keys generation.
5	WOR_RD_ACCESS	Write-only register read access.

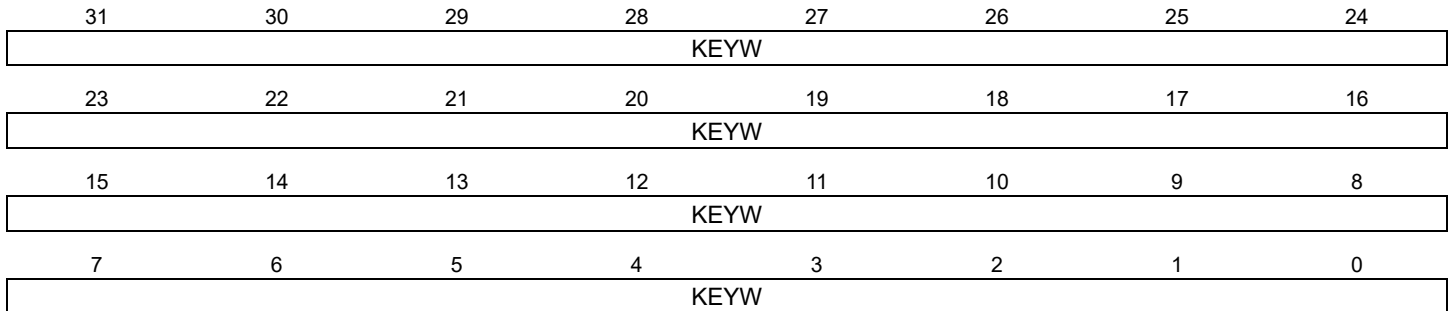
Only the last Unspecified Register Access Type is available through the URAT field.

51.5.7 AES Key Word Register x

Name: AES_KEYWRx [x=0..7]

Address: 0xF8038020

Access: Write-only



KEYW: Key Word

The four/six/eight 32-bit Key Word Registers set the 128-bit/192-bit/256-bit cryptographic key used for AES encryption/decryption. AES_KEYWR0 corresponds to the first word of the key and respectively AES_KEYWR3/AES_KEYWR5/AES_KEYWR7 to the last one. These registers are write-only to prevent the key from being read by another application.

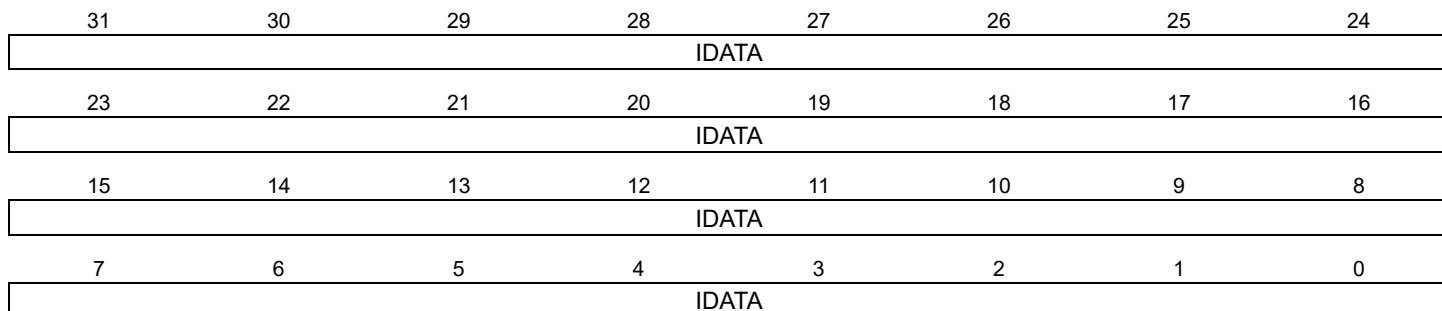
SAMA5D3 SERIES

51.5.8 AES Input Data Register x

Name: AES_IDATARx [x=0..3]

Address: 0xF8038040

Access: Write-only



IDATA: Input Data Word

The four 32-bit Input Data registers set the 128-bit data block used for encryption/decryption.

AES_IDATAR0 corresponds to the first word of the data to be encrypted/decrypted, and AES_IDATAR3 to the last one.

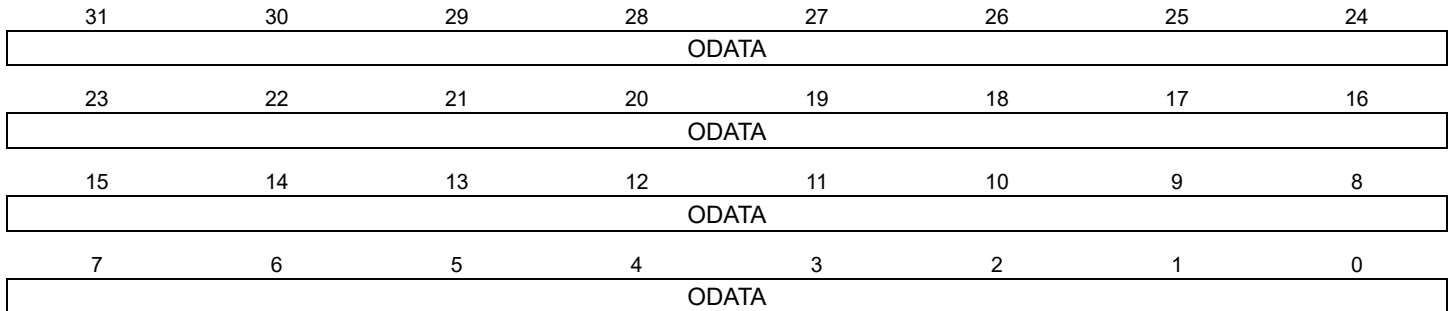
These registers are write-only to prevent the input data from being read by another application.

51.5.9 AES Output Data Register x

Name: AES_ODATARx [x=0..3]

Address: 0xF8038050

Access: Read-only



ODATA: Output Data

The four 32-bit Output Data registers contain the 128-bit data block that has been encrypted/decrypted.

AES_ODATAR0 corresponds to the first word, AES_ODATAR3 to the last one.

SAMA5D3 SERIES

51.5.10 AES Initialization Vector Register x

Name: AES_IVRx [x=0..3]

Address: 0xF8038060

Access: Write-only

31	30	29	28	27	26	25	24
IV							
23	22	21	20	19	18	17	16
IV							
15	14	13	12	11	10	9	8
IV							
7	6	5	4	3	2	1	0
IV							

IV: Initialization Vector

The four 32-bit Initialization Vector Registers set the 128-bit Initialization Vector data block that is used by some modes of operation as an additional initial input.

AES_IVR0 corresponds to the first word of the Initialization Vector, AES_IVR3 to the last one.

These registers are write-only to prevent the Initialization Vector from being read by another application.

For CBC, OFB and CFB modes, the IV input value corresponds to the initialization vector.

For CTR mode, the IV input value corresponds to the initial counter value.

Note: These registers are not used in ECB mode and must not be written.

52. Triple Data Encryption Standard (TDES)

52.1 Description

The Triple Data Encryption Standard (TDES) is compliant with the American *FIPS (Federal Information Processing Standard) Publication 46-3* specification.

The TDES supports the four different confidentiality modes of operation (ECB, CBC, OFB and CFB), specified in the *FIPS (Federal Information Processing Standard) Publication 81* and is compatible with the Peripheral Data Controller channels for all of these modes, minimizing processor intervention for large buffer transfers.

The 64-bit long keys and input data (and initialization vector for some modes) are each stored in two corresponding 32-bit write-only registers:

Key x Word Registers TDES_KEYxWR0 and TDES_KEYxWR1

Input Data Registers TDES_IDATAR0 and TDES_IDATAR1

Initialization Vector Registers TDES_IVR0 and TDES_IVR1

As soon as the initialization vector, the input data and the key are configured, the encryption/decryption process may be started. Then the encrypted/decrypted data is ready to be read out on the two 32-bit Output Data registers (TDES_ODATARx) or through the DMA channels.

52.2 Embedded Characteristics

- Supports Single Data Encryption Standard (DES) and Triple Data Encryption Algorithm (TDEA or TDES)
- Compliant with *FIPS Publication 46-3, Data Encryption Standard (DES)*
- 64-bit Cryptographic Key for TDES
- Two-key or Three-key Algorithms for TDES
- 18-clock Cycles Encryption/Decryption Processing Time for DES
- 50-clock Cycles Encryption/Decryption Processing Time for TDES
- Supports eXtended Tiny Encryption Algorithm (XTEA)
- 128-bit key for XTEA and Programmable Round Number up to 64
- Supports the Four Standard Modes of Operation specified in the *FIPS Publication 81, DES Modes of Operation*
 - Electronic Code Book (ECB)
 - Cipher Block Chaining (CBC)
 - Cipher Feedback (CFB)
 - Output Feedback (OFB)
- 8-, 16-, 32- and 64-bit Data Sizes Possible in CFB Mode
- Last Output Data Mode Allowing Optimized Message (Data) Authentication Code (MAC) Generation
- Connection to DMA Optimizes Data Transfers for all Operating Modes

52.3 Product Dependencies

52.3.1 Power Management

The TDES may be clocked through the Power Management Controller (PMC), so the programmer must first configure the PMC to enable the TDES clock.

52.3.2 Interrupt Sources

The TDES interface has an interrupt line connected to the interrupt controller. Handling the TDES interrupt requires programming the interrupt controller before configuring the TDES.

Table 52-1: Peripheral IDs

Instance	ID
TDES	44

SAMA5D3 SERIES

52.4 Functional Description

The Data Encryption Standard (DES) and the Triple Data Encryption Algorithm (TDES) specify FIPS-approved cryptographic algorithms that can be used to protect electronic data. The TDES bit in the TDES Mode Register (TDES_MR) is used to select either the single DES or the Triple DES mode.

Encryption (enciphering) converts data to an unintelligible form called ciphertext. Decrypting (deciphering) the ciphertext converts the data back into its original form, called plaintext. The CIPHER bit in TDES_MR is used to choose between encryption and decryption.

A DES is capable of using cryptographic keys of 64 bits to encrypt and decrypt data in blocks of 64 bits. This 64-bit key is defined in the Key 1 Word Registers (TDES_KEY1WRx).

A TDES key consists of three DES keys, which is also referred to as a key bundle. These three 64-bit keys are defined, respectively, in the Key 1, 2 and 3 Word Registers (TDES_KEY1WRx, TDES_KEY2WRx and TDES_KEY3WRx). In Triple DES mode (TDESMOD = 1 in TDES_MR), the KEYMOD bit in TDES_MR is used to choose between a two- and a three-key algorithm, as summarized in [Table 52-2](#).

Table 52-2: TDES Algorithms Summary

Algorithm	Mode	Data Processing Sequence Steps		
		First	Second	Third
Three-key	Encryption	Encryption with Key 1	Decryption with Key 2	Encryption with Key 3
	Decryption	Decryption with Key 3	Encryption with Key 2	Decryption with Key 1
Two-key	Encryption	Encryption with Key 1	Decryption with Key 2	Encryption with Key 1
	Decryption	Decryption with Key 1	Encryption with Key 2	Decryption with Key 1

The input to the encryption processes of the CBC, CFB, and OFB modes includes, in addition to the plaintext, a 64-bit data block called the initialization vector (IV), which must be set in the Initialization Vector Registers (TDES_IVRx). The initialization vector is used in an initial step in the encryption of a message and in the corresponding decryption of the message.

The XTEA algorithm can be used instead of DES/TDES by configuring the TDESMOD field in TDES_MR with the appropriate value 0x2. An XTEA key consists of a 128-bit key. They are defined in the Key 1 and 2 Word Registers (TDES_KEY1WRx, TDES_KEY2WRx).

The number of rounds of XTEA is defined in TDES_XTEA_RNDR and can be programmed up to 64 (1 round = 2 Feistel network rounds).

All the start and operating modes of the TDES algorithm can be applied to the XTEA algorithm.

52.4.1 Operating Modes

The TDES supports the following operating modes:

- ECB—Electronic Code Book
- CBC—Cipher Block Chaining
- OFB—Output Feedback
- CFB—Cipher Feedback
 - CFB8 (CFB where the length of the data segment is 8 bits)
 - CFB16 (CFB where the length of the data segment is 16 bits)
 - CFB32 (CFB where the length of the data segment is 32 bits)
 - CFB64 (CFB where the length of the data segment is 64 bits)

The data pre-processing, post-processing and data chaining for each mode are automatically performed. Refer to the *FIPS Publication 81* for more complete information.

These modes are selected by setting the OPMOD field in TDES_MR.

In CFB mode, four data sizes are possible (8, 16, 32 and 64 bits), configurable by means of the CFBS field in TDES_MR (see [Section 52.5.2 TDES Mode Register](#)).

The OFB and CFB modes of operation are only available if 2-key mode is selected (KEYMOD = 1 in TDES_MR).

52.4.2 Start Modes

The SMOD field in TDES_MR selects the Encryption (or Decryption) start mode.

52.4.2.1 Manual Mode

The sequence is as follows:

1. Write the TDES_MR register with all required fields, including but not limited to SMOD and OPMOD.
2. Write the 64-bit key(s) in the different Key Word Registers (TDES_KEYxWRx), depending on whether one, two or three keys are required.
3. Write the initialization vector (or counter) in the Initialization Vector Registers (TDES_IVRx).

Note: The Initialization Vector Registers concern all modes except ECB.

4. Set the bit DATRDY (Data Ready) in the TDES Interrupt Enable register (TDES_IER), depending on whether an interrupt is required or not at the end of processing.
5. Write the data to be encrypted/decrypted in the authorized Input Data Registers (see [Table 52-3](#)).

Note: In 32-, 16- and 8-bit CFB modes, writing to TDES_IDATAR1 is not allowed and may lead to processing errors.

6. Set the START bit in the TDES Control Register (TDES_CR) to begin the encryption or decryption process.
7. When the processing completes, the bit DATRDY in the TDES Interrupt Status Register (TDES_ISR) rises. If an interrupt has been enabled by setting the bit DATRDY in TDES_IER, the interrupt line of the TDES is activated.
8. When the software reads one of the Output Data Registers (TDES_ODATARx), the DATRDY bit is automatically cleared.

Table 52-3: Authorized Input Data Registers

Operating Mode	Input Data Registers to Write
ECB	All
CBC	All
OFB	All
CFB 64-bit	All
CFB 32-bit	TDES_IDATAR0
CFB 16-bit	TDES_IDATAR0
CFB 8-bit	TDES_IDATAR0

52.4.2.2 Auto Mode

The Auto Mode is similar to the Manual Mode, except that as soon as the correct number of Input Data registers is written, processing is automatically started without any action in TDES_CR.

52.4.2.3 DMA Mode

The DMA Controller can be used in association with the TDES to perform an encryption/decryption of a buffer without any action by the software during processing.

The SMOD field of TDES_MR must be set to 0x2 and the DMA must be configured with non-incremental addresses.

The start address of any transfer descriptor must be set in TDES_IDATAR0.

The DMA chunk size configuration depends on the TDES mode of operation and is listed in [Table 52-4](#).

When writing data to TDES with the first DMA channel, data will be fetched from a memory buffer (source data). It is recommended to configure the size of source data to “words” even for CFB modes. On the contrary, the destination data size depends on the mode of operation. When reading data from the TDES with the second DMA channel, the source data is the data read from TDES and data destination is the memory buffer. In this case, source data size depends on the TDES mode of operation and is listed in [Table 52-4](#).

Table 52-4: DMA Data Transfer Type for the Different Operating Modes

Operating Mode	Chunk Size	Destination/Source Data Transfer Type
ECB	1	Word
CBC	1	Word
OFB	1	Word
CFB 64-bit	1	Word

SAMA5D3 SERIES

Table 52-4: DMA Data Transfer Type for the Different Operating Modes (Continued)

Operating Mode	Chunk Size	Destination/Source Data Transfer Type
CFB 32-bit	1	Word
CFB 16-bit	1	Half-word
CFB 8-bit	1	Byte

52.4.3 Last Output Data Mode

This mode is used to generate cryptographic checksums on data (MAC) using a CBC-MAC or a CFB encryption algorithm (See *FIPS Publication 81 Appendix F*).

After each end of encryption/decryption, the output data is available either on the output data registers for Manual and Auto modes or at the address specified in the receive buffer pointer for DMA mode (See [Table 52-5 Last Output Data Mode Behavior versus Start Modes](#)).

The Last Output Data bit (LOD) in TDES_MR can be used to retrieve only the last data of several encryption/decryption processes.

This data is only available on the Output Data Registers (TDES_ODATARx).

No more Output Data Register reads are necessary between consecutive encryptions/decryptions (see [Section 52.4.3 Last Output Data Mode](#)).

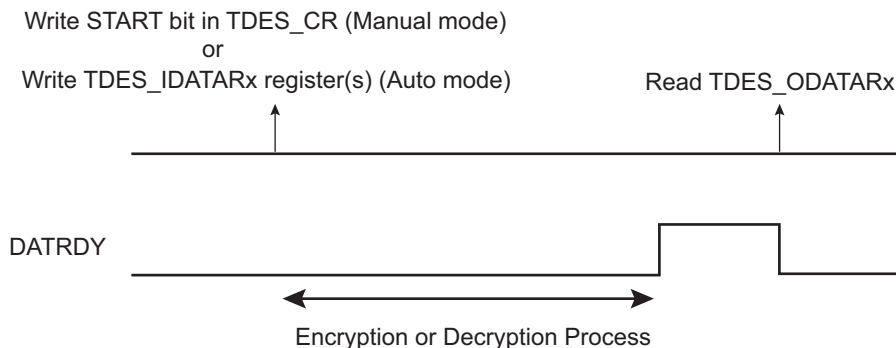
Therefore, there is no need to define a read buffer in DMA mode.

52.4.3.1 Manual and Auto Modes

- TDES_MR.LOD = 0

The DATRDY flag is cleared when at least one of the Output Data Registers is read. See [Figure 52-1](#).

Figure 52-1: Manual and Auto Modes with LOD = 0

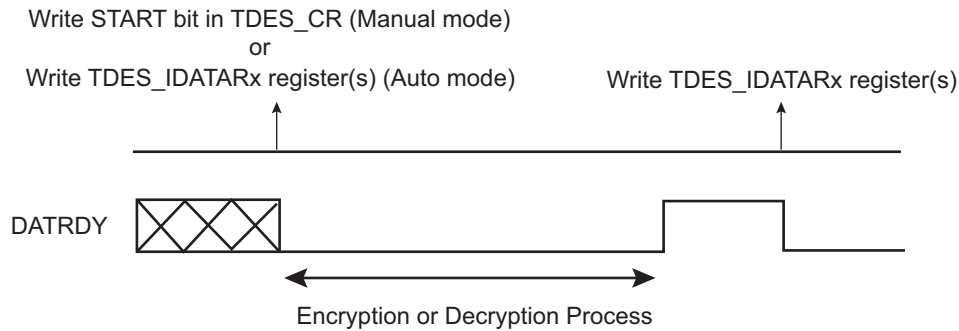


If the user does not want to read the output data registers between each encryption/decryption, the DATRDY flag will not be cleared. If the DATRDY flag is not cleared, the user will not be informed of the end of the encryptions/decryptions that follow.

- TDES_MR.LOD = 1

The DATRDY flag is cleared when at least one Input Data Register is written, before the start of a new transfer. See [Figure 52-2](#). No further Output Data Register reads are necessary between consecutive encryptions/decryptions.

Figure 52-2: Manual and Auto Modes with LOD = 1



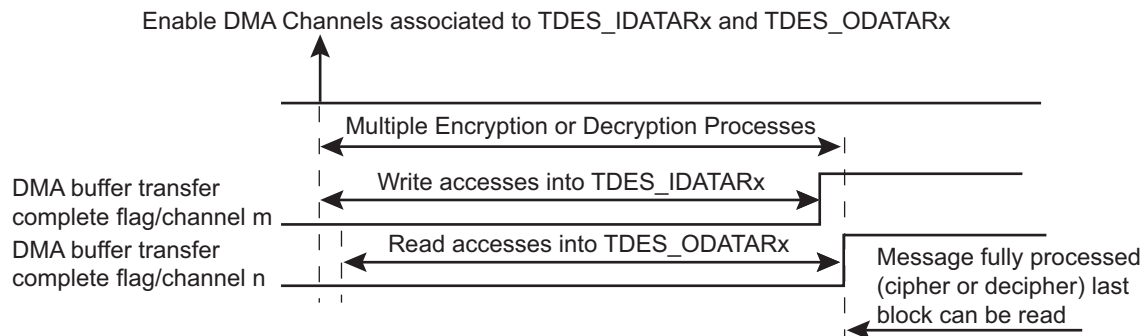
52.4.3.2 DMA Mode

- TDES_MR.LOD = 0

This mode may be used for all TDES operating modes except CBC-MAC where LOD = 1 mode is recommended.

The end of the encryption/decryption is indicated by the end of DMA transfer associated to TDES_ODATARx (see [Figure 52-3](#)). Two DMA channels are required: one for writing message blocks to TDES_IDATARx and one to obtain the result from TDES_ODATARx.

Figure 52-3: DMA Transfer with LOD = 0



- TDES_MR.LOD = 1

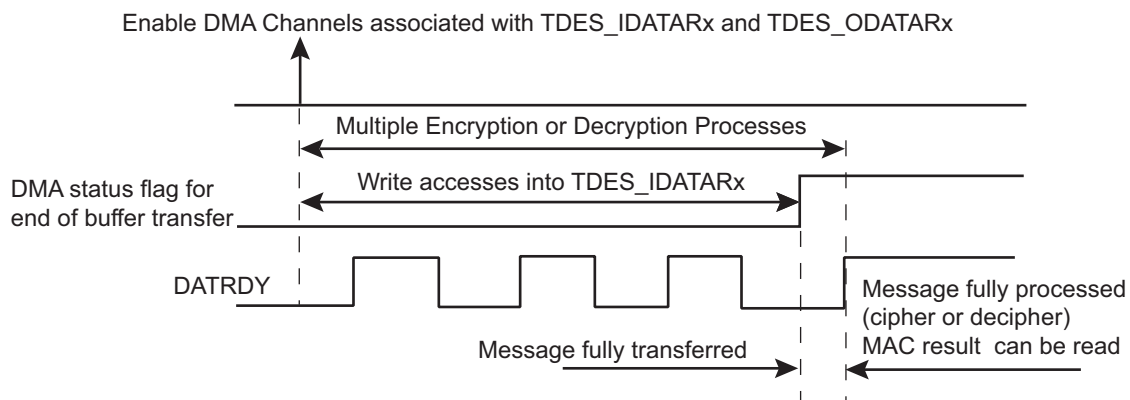
This mode is optimized to process the TDES CBC-MAC operating mode.

The user must first wait for the DMA buffer transfer complete flag, then for the flag DATRDY to rise to ensure that the encryption/decryption is completed (see [Figure 52-4](#)).

In this case, no receive buffers are required.

The output data is only available on TDES_ODATARx.

Figure 52-4: DMA Transfer with LOD = 1



SAMA5D3 SERIES

Table 52-5 summarizes the different cases.

Table 52-5: Last Output Data Mode Behavior versus Start Modes

Sequence	Manual and Auto Modes		DMA Transfer	
	LOD = 0	LOD = 1	LOD = 0	LOD = 1
DATRDY Flag Clearing Condition ⁽¹⁾	At least one Output Data Register must be read	At least one Input Data Register must be written	Not used	Managed by the DMA
End of Encryption/Decryption	DATRDY	DATRDY	2 DMA Buffer transfer complete flags (channel m and channel n)	DMA buffer transfer complete flag, then TDES DATRDY flag
Encrypted/Decrypted Data Result Location	In the Output Data Registers	In the Output Data Registers	Not available	In the Output Data Registers

Note 1: Depending on the mode, there are other ways of clearing the DATRDY flag. See: [Section 52.5.6 TDES Interrupt Status Register](#).

Warning: In DMA mode, reading to the Output Data registers before the last data transfer may lead to unpredictable results.

52.4.4 Security Features

52.4.4.1 Unspecified Register Access Detection

When an unspecified register access occurs, the URAD bit in TDES_ISR is set. Its source is then reported in the Unspecified Register Access Type field (URAT). Only the last unspecified register access is available through the URAT field.

Several kinds of unspecified register accesses can occur:

- Input Data Register written during the data processing in DMA mode
- Output Data Register read during the data processing
- Mode Register written during the data processing
- Write-only register read access

The URAD bit and the URAT field can only be reset by the SWRST bit in TDES_CR.

52.5 Triple Data Encryption Standard (TDES) User Interface

Table 52-6: Register Mapping

Offset	Register	Name	Access	Reset
0x00	Control Register	TDES_CR	Write-only	–
0x04	Mode Register	TDES_MR	Read/Write	0x2
0x08–0x0C	Reserved	–	–	–
0x10	Interrupt Enable Register	TDES_IER	Write-only	–
0x14	Interrupt Disable Register	TDES_IDR	Write-only	–
0x18	Interrupt Mask Register	TDES_IMR	Read-only	0x0
0x1C	Interrupt Status Register	TDES_ISR	Read-only	0x0000001E
0x20	Key 1 Word Register 0	TDES_KEY1WR0	Write-only	–
0x24	Key 1 Word Register 1	TDES_KEY1WR1	Write-only	–
0x28	Key 2 Word Register 0	TDES_KEY2WR0	Write-only	–
0x2C	Key 2 Word Register 1	TDES_KEY2WR1	Write-only	–
0x30	Key 3 Word Register 0	TDES_KEY3WR0	Write-only	–
0x34	Key 3 Word Register 1	TDES_KEY3WR1	Write-only	–
0x38–0x3C	Reserved	–	–	–
0x40	Input Data Register 0	TDES_IDATAR0	Write-only	–
0x44	Input Data Register 1	TDES_IDATAR1	Write-only	–
0x48–0x4C	Reserved	–	–	–
0x50	Output Data Register 0	TDES_ODATAR0	Read-only	0x0
0x54	Output Data Register 1	TDES_ODATAR1	Read-only	0x0
0x58–0x5C	Reserved	–	–	–
0x60	Initialization Vector Register 0	TDES_IVR0	Write-only	–
0x64	Initialization Vector Register 1	TDES_IVR1	Write-only	–
0x68–0x6C	Reserved	–	–	–
0x70	XTEA Rounds Register	TDES_XTEA_RNDR	Read/Write	0x0
0x74–0xFC	Reserved	–	–	–

SAMA5D3 SERIES

52.5.1 TDES Control Register

Name: TDES_CR

Address: 0xF803C000

Access: Write-only

31	30	29	28	27	26	25	24
–	–	–	–	–	–	–	–
23	22	21	20	19	18	17	16
–	–	–	–	–	–	–	–
15	14	13	12	11	10	9	8
–	–	–	–	–	–	–	SWRST
7	6	5	4	3	2	1	0
–	–	–	–	–	–	–	START

- **START: Start Processing**

0: No effect

1: Starts Manual encryption/decryption process.

- **SWRST: Software Reset**

0: No effect

1: Resets the TDES. A software triggered hardware reset of the TDES interface is performed.

52.5.2 TDES Mode Register

Name: TDES_MR

Address: 0xF803C004

Access: Read/Write

31	30	29	28	27	26	25	24
–	–	–	–	–	–	–	–
23	22	21	20	19	18	17	16
–	–	–	–	–	–	CFBS	
15	14	13	12	11	10	9	8
LOD	–	OPMOD		–	–	SMOD	
7	6	5	4	3	2	1	0
–	–	–	KEYMOD	–	TDESMOD		CIPHER

CIPHER: Processing Mode

0 (DECRYPT): Decrypts data.

1 (ENCRYPT): Encrypts data.

TDESMOD: ALGORITHM Mode

Value	Name	Description
0x0	SINGLE_DES	Single DES processing using TDES_KEY1WRx registers
0x1	TRIPLE_DES	Triple DES processing using TDES_KEY1WRx, TDES_KEY2WRx and TDES_KEY3WRx registers
0x2	XTEA	XTEA processing using TDES_KEY1WRx, TDES_KEY2WRx

Values which are not listed in the table must be considered as “reserved”.

KEYMOD: Key Mode

0: Three-key algorithm is selected.

1: Two-key algorithm is selected. There is no need to write TDES_KEY3WRx registers.

SMOD: Start Mode

Value	Name	Description
0x0	MANUAL_START	Manual Mode
0x1	AUTO_START	Auto Mode
0x2	IDATAR0_START	TDES_IDATAR0 accesses only Auto Mode

Values which are not listed in the table must be considered as “reserved”.

If a DMA transfer is used, 0x2 must be configured. Refer to [Section 52.4.3.2 DMA Mode](#) for more details.

SAMA5D3 SERIES

OPMOD: Operating Mode

Value	Name	Description
0x0	ECB	Electronic Code Book mode
0x1	CBC	Cipher Block Chaining mode
0x2	OFB	Output Feedback mode
0x3	CFB	Cipher Feedback mode

For CBC-MAC operating mode, please set OPMOD to CBC and LOD to 1.

The OFB and CFB modes of operation are only available if 2-key mode is selected (KEYMOD = 1).

LOD: Last Output Data Mode

0: No effect.

After each end of encryption/decryption, the output data is available either on the output data registers (Manual and Auto modes) .

In Manual and Auto modes, the DATRDY flag is cleared when at least one of the Output Data registers is read.

1: The DATRDY flag is cleared when at least one of the Input Data Registers is written.

No more Output Data Register reads are necessary between consecutive encryptions/decryptions (see [Section 52.4.3 Last Output Data Mode](#)).

Warning: In DMA mode, reading to the Output Data registers before the last data encryption/decryption process may lead to unpredictable result.

CFBS: Cipher Feedback Data Size

Value	Name	Description
0x0	SIZE_64BIT	64-bit
0x1	SIZE_32BIT	32-bit
0x2	SIZE_16BIT	16-bit
0x3	SIZE_8BIT	8-bit

52.5.3 TDES Interrupt Enable Register

Name: TDES_IER

Address: 0xF803C010

Access: Write-only

31	30	29	28	27	26	25	24
–	–	–	–	–	–	–	–
23	22	21	20	19	18	17	16
–	–	–	–	–	–	–	–
15	14	13	12	11	10	9	8
–	–	–	–	–	–	–	URAD
7	6	5	4	3	2	1	0
–	–	–	–	–	–	–	DATRDY

DATRDY: Data Ready Interrupt Enable

0: No effect.

1: Enables the corresponding interrupt.

URAD: Unspecified Register Access Detection Interrupt Enable

0: No effect.

1: Enables the corresponding interrupt.

SAMA5D3 SERIES

52.5.4 TDES Interrupt Disable Register

Name: TDES_IDR

Address: 0xF803C014

Access: Write-only

31	30	29	28	27	26	25	24
–	–	–	–	–	–	–	–
23	22	21	20	19	18	17	16
–	–	–	–	–	–	–	–
15	14	13	12	11	10	9	8
–	–	–	–	–	–	–	URAD
7	6	5	4	3	2	1	0
–	–	–	–	–	–	–	DATRDY

DATRDY: Data Ready Interrupt Disable

0: No effect.

1: Disables the corresponding interrupt.

URAD: Unspecified Register Access Detection Interrupt Disable

0: No effect.

1: Disables the corresponding interrupt.

52.5.5 TDES Interrupt Mask Register

Name: TDES_IMR

Address: 0xF803C018

Access: Read-only

31	30	29	28	27	26	25	24
–	–	–	–	–	–	–	–
23	22	21	20	19	18	17	16
–	–	–	–	–	–	–	–
15	14	13	12	11	10	9	8
–	–	–	–	–	–	–	URAD
7	6	5	4	3	2	1	0
–	–	–	–	–	–	–	DATRDY

DATRDY: Data Ready Interrupt Mask

0: The corresponding interrupt is not enabled.

1: The corresponding interrupt is enabled.

URAD: Unspecified Register Access Detection Interrupt Mask

0: The corresponding interrupt is not enabled.

1: The corresponding interrupt is enabled.

SAMA5D3 SERIES

52.5.6 TDES Interrupt Status Register

Name: TDES_ISR

Address: 0xF803C01C

Access: Read-only

31	30	29	28	27	26	25	24
–	–	–	–	–	–	–	–
23	22	21	20	19	18	17	16
–	–	–	–	–	–	–	–
15	14	13	12	11	10	9	8
		URAT		–	–	–	URAD
7	6	5	4	3	2	1	0
–	–	–	–	–	–	–	DATRDY

DATRDY: Data Ready (cleared by setting bit START or bit SWRST in TDES_CR or by reading TDES_ODATARx)

0: Output data is not valid.

1: Encryption or decryption process is completed.

Note: If TDES_MR.LOD = 1: In Manual and Auto modes, the DATRDY flag can also be cleared by writing at least one TDES_IDATARx.

URAD: Unspecified Register Access Detection Status (cleared by setting bit TDES_CR.SWRST)

0: No unspecified register access has been detected since the last write of bit TDES_CR.SWRST.

1: At least one unspecified register access has been detected since the last write of bit TDES_CR.SWRST.

URAT: Unspecified Register Access (cleared by setting bit TDES_CR.SWRST)

Value	Name	Description
0x0	IDR_WR_PROCESSING	Input Data Register written during data processing when SMOD = 0x2 mode.
0x1	ODR_RD_PROCESSING	Output Data Register read during data processing.
0x2	MR_WR_PROCESSING	Mode Register written during data processing.
0x3	WOR_RD_ACCESS	Write-only register read access.

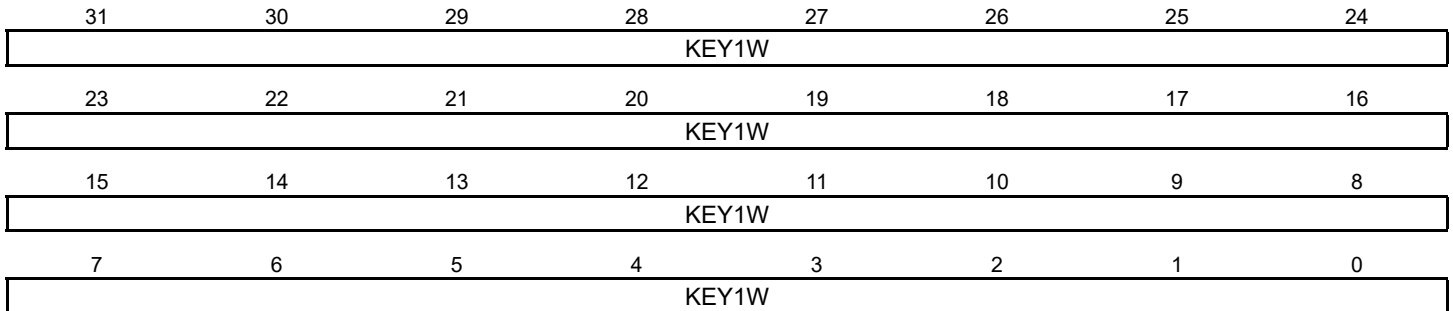
Only the last Unspecified Register Access Type is available through the URAT field.

52.5.7 TDES Key 1 Word Register x

Name: TDES_KEY1WRx

Address: 0xF803C020

Access: Write-only



KEY1W: Key 1 Word

The two 32-bit Key 1 Word registers are used to set the 64-bit cryptographic key used for encryption/decryption.

KEY1W0 refers to the first word of the key and KEY1W1 to the last one.

These registers are write-only to prevent the key from being read by another application.

In XTEA mode, the key is defined on 128 bits. These registers contain the 64 LSB bits of the encryption/decryption key.

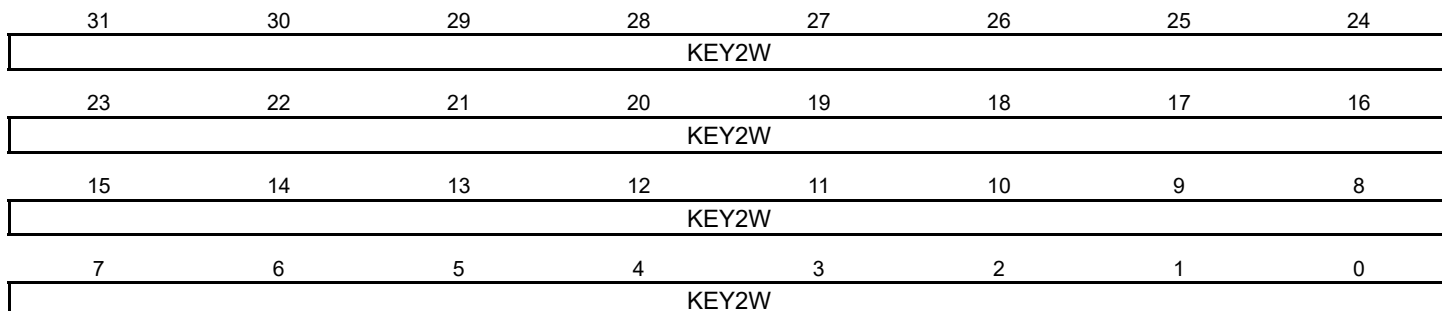
SAMA5D3 SERIES

52.5.8 TDES Key 2 Word Register x

Name: TDES_KEY2WRx

Address: 0xF803C028

Access: Write-only



KEY2W: Key 2 Word

The two 32-bit Key 2 Word registers are used to set the 64-bit cryptographic key used for encryption/decryption.

KEY2W0 refers to the first word of the key and KEY2W1 to the last one.

These registers are write-only to prevent the key from being read by another application.

Note: KEY2WRx registers are not used in DES mode.

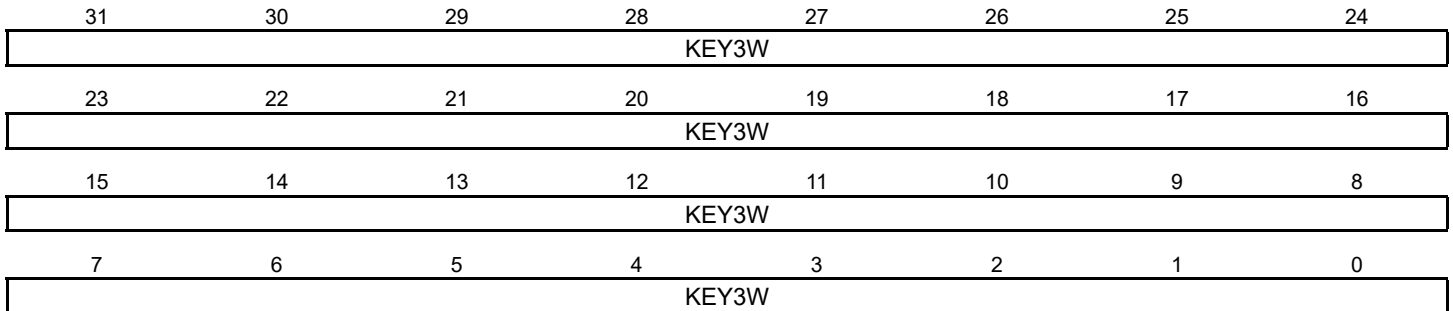
In XTEA mode, the key is defined on 128 bits. These registers contain the 64 MSB bits of the encryption/decryption key.

52.5.9 TDES Key 3 Word Register x

Name: TDES_KEY3WRx

Address: 0xF803C030

Access: Write-only



KEY3W: Key 3 Word

The two 32-bit Key 3 Word registers are used to set the 64-bit cryptographic key used for encryption/decryption.

KEY3W0 refers to the first word of the key and KEY3W1 to the last one.

These registers are write-only to prevent the key from being read by another application.

Note: KEY3WRx registers are not used in DES mode, TDES with two-key algorithm selected and XTEA mode.

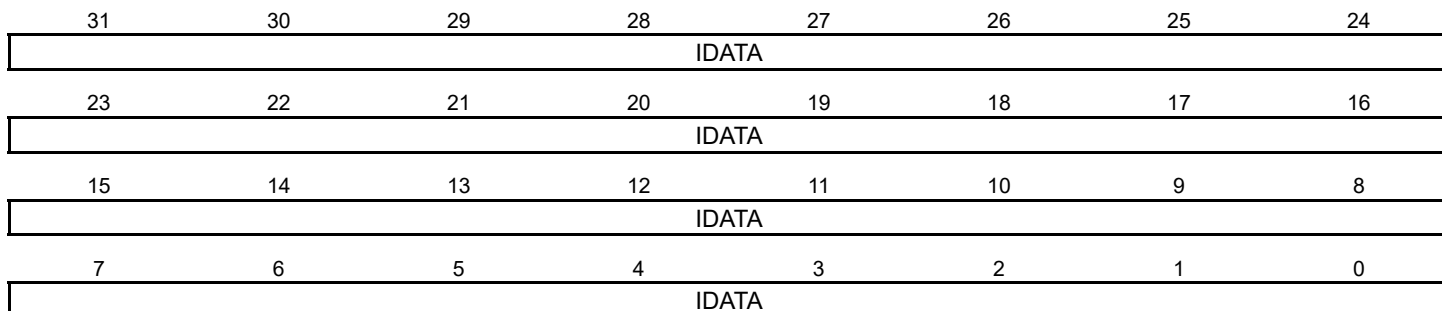
SAMA5D3 SERIES

52.5.10 TDES Input Data Register x

Name: TDES_IDATARx

Address: 0xF803C040

Access: Write-only



IDATA: Input Data

The two 32-bit Input Data registers are used to set the 64-bit data block used for encryption/decryption.

IDATA0 refers to the first word of the data to be encrypted/decrypted, and IDATA1 to the last one.

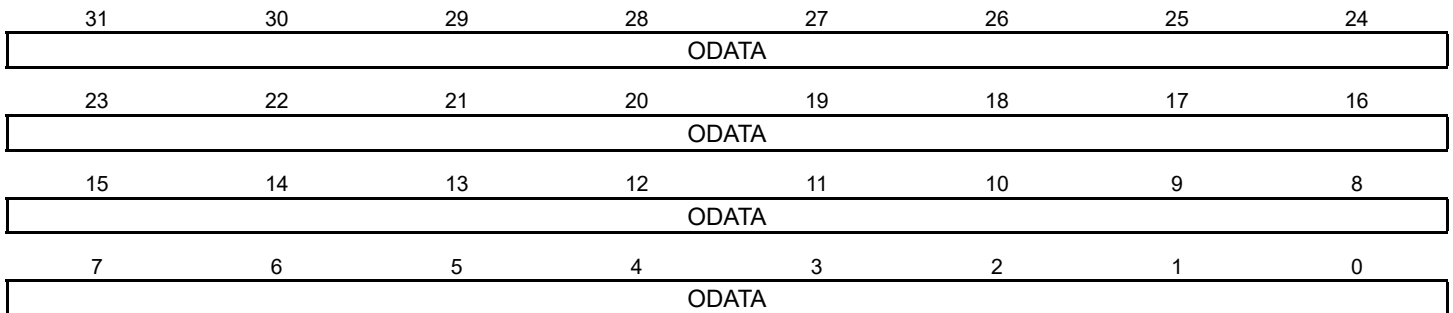
These registers are write-only to prevent the input data from being read by another application.

52.5.11 TDES Output Data Register x

Name: TDES_ODATARx

Address: 0xF803C050

Access: Read-only



ODATA: Output Data

The two 32-bit Output Data registers contain the 64-bit data block which has been encrypted/decrypted.

ODATA1 refers to the first word, ODATA2 to the last one.

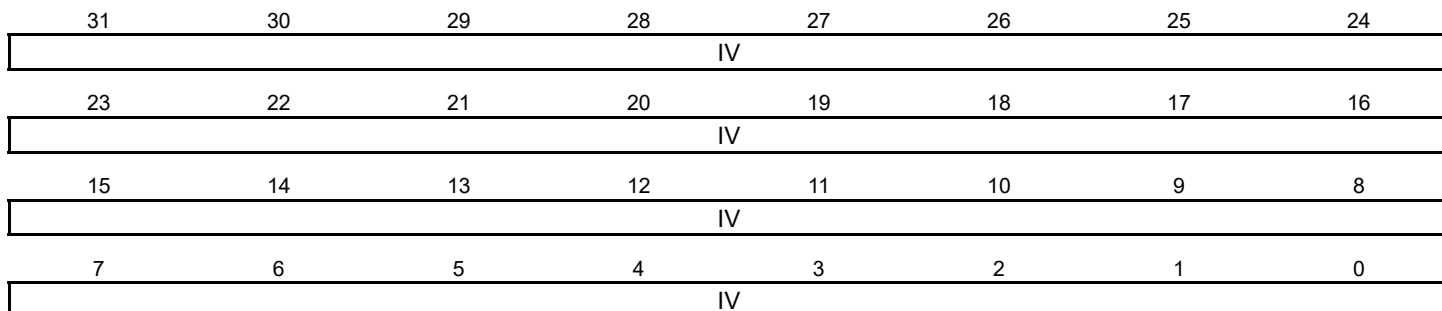
SAMA5D3 SERIES

52.5.12 TDES Initialization Vector Register x

Name: TDES_IVRx

Address: 0xF803C060

Access: Write-only



IV: Initialization Vector

The two 32-bit Initialization Vector registers are used to set the 64-bit initialization vector data block, which is used by some modes of operation as an additional initial input.

IV1 refers to the first word of the Initialization Vector, IV2 to the last one.

These registers are write-only to prevent the Initialization Vector from being read by another application.

Note: These registers are not used for the ECB mode and must not be written.

52.5.13 TDES XTEA Rounds Register

Name: TDES_XTEA_RNDR

Address: 0xF803C070

Access: Read/Write

31	30	29	28	27	26	25	24
–	–	–	–	–	–	–	–
23	22	21	20	19	18	17	16
–	–	–	–	–	–	–	–
15	14	13	12	11	10	9	8
–	–	–	–	–	–	–	–
7	6	5	4	3	2	1	0
–	–	XTEA_RNDS					

XTEA_RNDS: Number of Rounds

This 6-bit field is used to define the number of complete rounds (1 complete round = 2 Feistel rounds) processed in XTEA algorithm.

The value of XTEA_RNDS has no effect if the TDESMOD field in TDES_MR is set to 0x0 or 0x1.

Note: 0x00 corresponds to 1 complete round, 0x01 corresponds to 2 complete rounds, etc.

SAMA5D3 SERIES

53. Secure Hash Algorithm (SHA)

53.1 Description

The Secure Hash Algorithm (SHA) is compliant with the American *FIPS (Federal Information Processing Standard) Publication 180-2* specification.

The 512/1024-bit block of message is respectively stored in 16/32 x 32-bit registers, (SHA_IDATARx/SHA_IODATARx) which are write-only.

As soon as the input data is written, the hash processing may be started. The registers comprising the block of a padded message must be entered consecutively. Then the message digest is ready to be read out on the 5 up to 8/16 x 32-bit output data registers (SHA_IODATARx) or through the DMA channels.

53.2 Embedded Characteristics

- Supports Secure Hash Algorithm (SHA1, SHA224, SHA256, SHA384, SHA512)
- Compliant with *FIPS Publication 180-2*
- Configurable Processing Period:
 - 85 Clock Cycles to obtain a fast SHA1 runtime, 88 clock cycles for SHA384, SHA512 or 209 Clock Cycles for Maximizing Bandwidth of Other Applications
 - 72 Clock Cycles to obtain a fast SHA224, SHA256 runtime or 194 Clock Cycles for Maximizing Bandwidth of Other Applications
- Connection to DMA Channel Capabilities Optimizes Data Transfers
- Double Input Buffer Optimizes Runtime

53.3 Product Dependencies

53.3.1 Power Management

The SHA may be clocked through the Power Management Controller (PMC), so the programmer must first configure the PMC to enable the SHA clock.

53.3.2 Interrupt Sources

The SHA interface has an interrupt line connected to the Interrupt Controller.

Handling the SHA interrupt requires programming the interrupt controller before configuring the SHA.

Table 53-1: Peripheral IDs

Instance	ID
SHA	42

53.4 Functional Description

The Secure Hash Algorithm (SHA) module requires a padded message according to FIPS180-2 specification. The first block of the message must be indicated to the module by a specific command. The SHA module produces an N-bit message digest each time a block is written and processing period ends, where N is 160 for SHA1, 224 for SHA224, 256 for SHA256, 384 for SHA384, 512 for SHA512.

53.4.1 SHA Algorithm

The SHA can process SHA1, SHA224, SHA256, SHA384, SHA512 by configuring the ALGO field in the SHA Mode register (SHA_MR).

53.4.2 Processing Period

The processing period can be configured.

The short processing period allocates bandwidth to the SHA module, whereas the long processing period allocates more bandwidth on the system bus to other applications. An example is DMA channels not associated with SHA.

In SHA1 mode, the shortest processing period is 85 clock cycles + 2 clock cycles for start command synchronization. The longest period is 209 clock cycles + 2 clock cycles.

In SHA384, SHA512 mode, the shortest processing period is 88 clock cycles + 2 clock cycles for start command synchronization. The longest period is 209 clock cycles + 2 clock cycles.

In SHA256 and SHA224 mode, the shortest processing period is 72 clock cycles + 2 clock cycles for start command synchronization. The longest period is 194 clock cycles + 2 clock cycles.

53.4.3 Double Input Buffer

The SHA Input Data registers (SHA_IDATARx) can be double-buffered to reduce the runtime of large files.

Double-buffering allows a new message block to be written while the previous message block is being processed. This is only possible when DMA accesses are performed (SMOD = 2).

The DUALBUFF bit in the SHA_MR must be set to have double input buffer access.

53.4.4 Start Modes

The SMOD field in the SHA_MR is used to select the Hash Processing Start mode.

53.4.4.1 Manual Mode

In Manual mode, the sequence is as follows:

1. Set the bit DATRDY (Data Ready) in the SHA_IER, depending on whether an interrupt is required at the end of processing.
2. For the first block of a message, the FIRST command must be set by writing a 1 into the corresponding bit of the SHA Control Register (SHA_CR). For the other blocks, there is nothing to write.
3. Write the block to be processed in the SHA_IDATARx.
4. To begin processing, set the START bit in the SHA_CR.
5. When processing is completed, the bit DATRDY in the Interrupt Status register (SHA_ISR) raises. If an interrupt has been enabled by setting the bit DATRDY in SHA_IER, the interrupt line of the SHA is activated.
6. Repeat the write procedure for each block, start procedure and wait for the interrupt procedure up to the last block of the entire message. Each time the start procedure is complete, the DATRDY flag is cleared.
7. After the last block is processed (DATRDY flag is set, if an interrupt has been enabled by setting the bit DATRDY in SHA_IER, the interrupt line of the SHA is activated), read the message digest in the Output Data Registers. The DATRDY flag is automatically cleared when reading the SHA_IODATARx registers.

53.4.4.2 Auto Mode

In Auto mode, processing starts as soon as the correct number of SHA_IDATARx is written. No action in the SHA_CR is necessary.

53.4.4.3 DMA Mode

The DMA can be used in association with the SHA to perform the algorithm on a complete message without any action by the software during processing.

The SMOD field in SHA_MR must be configured to 2.

The DMA must be configured with non-incremental addresses.

The start address of any transfer descriptor must be set to point to the SHA_IDATAR0.

The DMA chunk size must be set to transfer, for each trigger request, 16 words of 32 bits.

The FIRST bit of the SHA_CR must be set before starting the DMA when the first block is transferred.

The DMA generates an interrupt when the end of buffer transfer is completed but the SHA processing is still in progress. The end of SHA processing is indicated by the flag DATRDY in the SHA_SR.

The end of SHA processing requires two interrupts to be verified. The DMA end of transfer interrupt must be verified first, then the SHA DATRDY interrupt must be enabled and verified (see [Figure 53-1](#)).

53.4.5 Security Features

When an unspecified register access occurs, the URAD bit in the SHA_ISR is set. Its source is then reported in the Unspecified Register Access Type field (URAT). Only the last unspecified register access is available through the URAT field.

Several kinds of unspecified register accesses can occur:

- SHA_IDATARx written during data processing in DMA mode
- SHA_IODATARx read during data processing
- SHA_MR written during data processing
- Write-only register read access

The URAD bit and the URAT field can only be reset by the SWRST bit in the SHA_CR.

SAMA5D3 SERIES

53.5 Secure Hash Algorithm (SHA) User Interface

Table 53-2: Register Mapping

Offset	Register	Name	Access	Reset
0x00	Control Register	SHA_CR	Write-only	–
0x04	Mode Register	SHA_MR	Read/Write	0x0000100
0x08–0x0C	Reserved	–	–	–
0x10	Interrupt Enable Register	SHA_IER	Write-only	–
0x14	Interrupt Disable Register	SHA_IDR	Write-only	–
0x18	Interrupt Mask Register	SHA_IMR	Read-only	0x0
0x1C	Interrupt Status Register	SHA_ISR	Read-only	0x0
0x20–0x3C	Reserved	–	–	–
0x40	Input Data 0 Register	SHA_IDATAR0	Write-only	–
...
0x7C	Input Data 15 Register	SHA_IDATAR15	Write-only	–
0x80	Input/Output Data 0 Register	SHA_IODATAR0	Read/Write	0x0
...
0x9C	Input/Output Data 7 Register	SHA_IODATAR7	Read/Write	0x0
0xA0	Input/Output Data 8 Register	SHA_IODATAR8	Read/Write	0x0
...
0xBC	Input/Output Data 15 Register	SHA_IODATAR15	Read/Write	0x0
0xC0–0xFC	Reserved	–	–	–

53.5.1 SHA Control Register

Name: SHA_CR

Address: 0xF8034000

Access: Write-only

31	30	29	28	27	26	25	24
–	–	–	–	–	–	–	–
23	22	21	20	19	18	17	16
–	–	–	–	–	–	–	–
15	14	13	12	11	10	9	8
–	–	–	–	–	–	–	SWRST
7	6	5	4	3	2	1	0
–	–	–	FIRST	–	–	–	START

- **START: Start Processing**

0: No effect.

1: Starts manual hash algorithm process.

- **FIRST: First Block of a Message**

0: No effect.

1: Indicates that the next block to process is the first one of a message.

- **SWRST: Software Reset**

0: No effect.

1: Resets the SHA. A software-triggered hardware reset of the SHA interface is performed.

SAMA5D3 SERIES

53.5.2 SHA Mode Register

Name: SHA_MR

Address: 0xF8034004

Access: Read/Write

31	30	29	28	27	26	25	24
–	–	–	–	–	–	–	–
23	22	21	20	19	18	17	16
–	–	–	–	–	–	–	DUALBUFF
15	14	13	12	11	10	9	8
–	–	–	–	ALGO			
7	6	5	4	3	2	1	0
–	–	–	PROCDLY	–	–	SMOD	

SMOD: Start Mode

Value	Name	Description
0	MANUAL_START	Manual Mode
1	AUTO_START	Auto Mode
2	IDATAR0_START	SHA_IDATAR0 access only Auto Mode

Values not listed in the table must be considered as “reserved”.

If a DMA transfer is used, configure the SMOD value with 1 or 2. Refer to [Section 53.4.4.3 DMA Mode](#) for more details.

PROCDLY: Processing Delay

Value	Name	Description
0	SHORTEST	SHA processing runtime is the shortest one
1	LONGEST	SHA processing runtime is the longest one (reduces the SHA bandwidth requirement, reduces the system bus overload)

When SHA1 algorithm is processed, runtime period is either 85 or 209 clock cycles.

When SHA256 or SHA224 algorithm is processed, runtime period is either 72 or 194 clock cycles.

When SHA384 or SHA512 algorithm is processed, runtime period is either 88 or 209 clock cycles.

ALGO: SHA Algorithm

Value	Name	Description
0	SHA1	SHA1 algorithm processed
1	SHA256	SHA256 algorithm processed
2	SHA384	SHA384 algorithm processed
3	SHA512	SHA512 algorithm processed
4	SHA224	SHA224 algorithm processed

Values not listed in the table must be considered as “reserved”.

DUALBUFF: Dual Input Buffer

Value	Name	Description
0	INACTIVE	SHA_IDATARx and SHA_IODATARx cannot be written during processing of previous block.
1	ACTIVE	SHA_IDATARx and SHA_IODATARx can be written during processing of previous block when SMOD value = 2. It speeds up the overall runtime of large files.

SAMA5D3 SERIES

53.5.3 SHA Interrupt Enable Register

Name: SHA_IER

Address: 0xF8034010

Access: Write-only

31	30	29	28	27	26	25	24
–	–	–	–	–	–	–	–
23	22	21	20	19	18	17	16
–	–	–	–	–	–	–	–
15	14	13	12	11	10	9	8
–	–	–	–	–	–	–	URAD
7	6	5	4	3	2	1	0
–	–	–	–	–	–	–	DATRDY

The following configuration values are valid for all listed bit names of this register:

0: No effect.

1: Enables the corresponding interrupt.

DATRDY: Data Ready Interrupt Enable

URAD: Unspecified Register Access Detection Interrupt Enable

53.5.4 SHA Interrupt Disable Register

Name: SHA_IDR

Address: 0xF8034014

Access: Write-only

31	30	29	28	27	26	25	24
–	–	–	–	–	–	–	–
23	22	21	20	19	18	17	16
–	–	–	–	–	–	–	–
15	14	13	12	11	10	9	8
–	–	–	–	–	–	–	URAD
7	6	5	4	3	2	1	0
–	–	–	–	–	–	–	DATRDY

The following configuration values are valid for all listed bit names of this register:

0: No effect.

1: Disables the corresponding interrupt.

DATRDY: Data Ready Interrupt Disable

URAD: Unspecified Register Access Detection Interrupt Disable

SAMA5D3 SERIES

53.5.5 SHA Interrupt Mask Register

Name: SHA_IMR

Address: 0xF8034018

Access: Read-only

31	30	29	28	27	26	25	24
–	–	–	–	–	–	–	–
23	22	21	20	19	18	17	16
–	–	–	–	–	–	–	–
15	14	13	12	11	10	9	8
–	–	–	–	–	–	–	URAD
7	6	5	4	3	2	1	0
–	–	–	–	–	–	–	DATRDY

The following configuration values are valid for all listed bit names of this register:

0: The corresponding interrupt is not enabled.

1: The corresponding interrupt is enabled.

DATRDY: Data Ready Interrupt Mask

URAD: Unspecified Register Access Detection Interrupt Mask

53.5.6 SHA Interrupt Status Register

Name: SHA_ISR

Address: 0xF803401C

Access: Read-only

31	30	29	28	27	26	25	24
–	–	–	–	–	–	–	–
23	22	21	20	19	18	17	16
–	–	–	–	–	–	–	–
15	14	13	12	11	10	9	8
	URAT			–	–	–	URAD
7	6	5	4	3	2	1	0
–	–	–	–	–	–	–	DATRDY

DATRDY: Data Ready (cleared by writing a 1 to bit SWRST or START in SHA_CR, or by reading SHA_IODATARx)

0: Output data is not valid.

1: 512/1024-bit block process is completed.

DATRDY is cleared when one of the following conditions is met:

- Bit START in SHA_CR is set.
- Bit SWRST in SHA_CR is set.
- The hash result is read.

URAD: Unspecified Register Access Detection Status (cleared by writing a 1 to SWRST bit in SHA_CR)

0: No unspecified register access has been detected since the last SWRST.

1: At least one unspecified register access has been detected since the last SWRST.

URAT: Unspecified Register Access Type (cleared by writing a 1 to SWRST bit in SHA_CR)

Value	Description
0	SHA_IDATAR0 to SHA_IDATAR15 written during the data processing in DMA mode (URAD = 1 and URAT = 0 can occur only if DUALBUFF is cleared in SHA_MR).
1	Output Data Register read during the data processing.
2	SHA_MR written during the data processing.
3	Write-only register read access.

Only the last Unspecified Register Access Type is available through the URAT field.

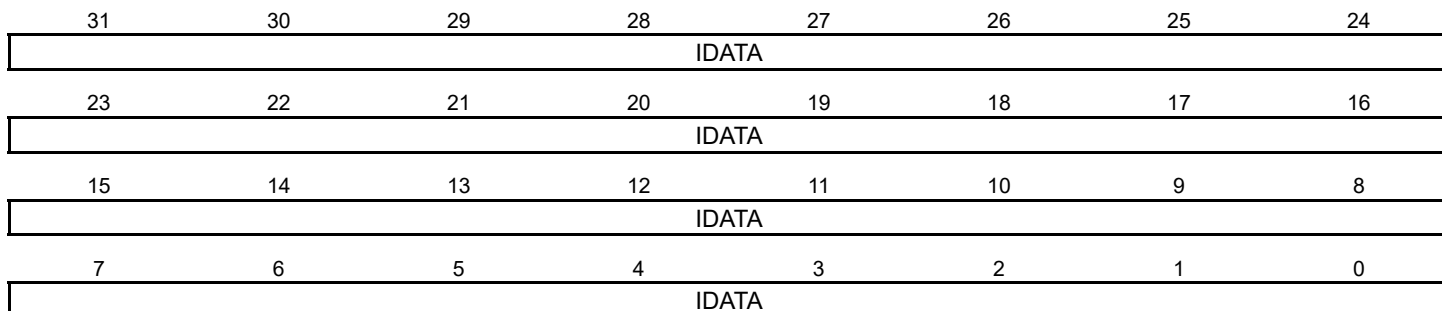
SAMA5D3 SERIES

53.5.7 SHA Input Data x Register

Name: SHA_IDATARx [x=0..15]

Address: 0xF8034040

Access: Write-only



IDATA: Input Data

The 32-bit Input Data registers allow to load the data block used for hash processing.

These registers are write-only to prevent the input data from being read by another application.

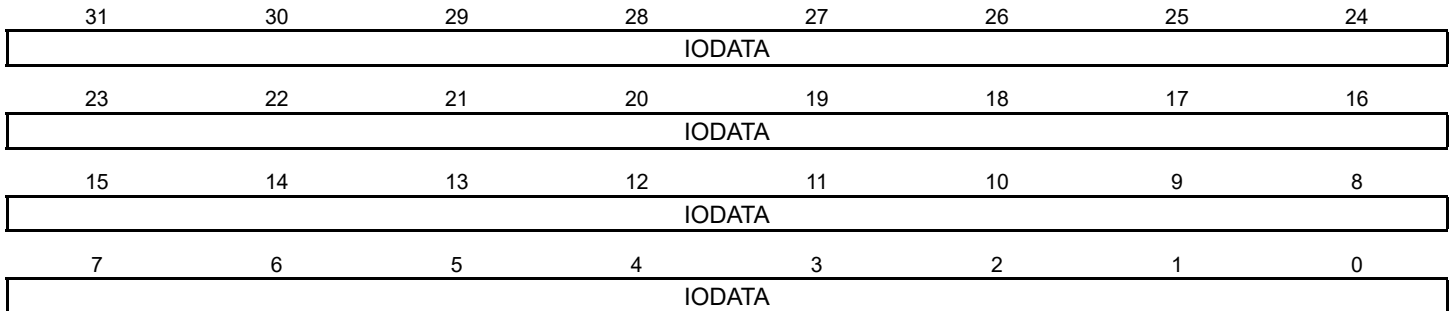
SHA_IDATAR0 corresponds to the first word of the block, SHA_IDATAR15 to the last word of the last block in case SHA algorithm is set to SHA1, SHA224, SHA256 or SHA_IODATA15R to the last word of the block if SHA algorithm is SHA384 or SHA512 (refer to [Section 53.5.8 SHA Input/Output Data Register x](#)).

53.5.8 SHA Input/Output Data Register x

Name: SHA_IODATARx [x=0..15]

Address: 0xF8034080

Access: Read/Write



IODATA: Input/Output Data

These registers can be used to read the resulting message digest and to write the second part of the message block when the SHA algorithm is SHA-384 or SHA-512.

SHA_IODATA0R to SHA_IODATA15R can be written or read but reading these offsets does not return the content of corresponding parts (words) of the message block. Only results from SHA calculation can be read through these registers.

When SHA processing is in progress, these registers return 0x0000.

SHA_IODATAR0 corresponds to the first word of the message digest; SHA_IODATAR4 to the last one in SHA1 mode, SHA_ODATAR6 in SHA224, SHA_IODATAR7 in SHA256, SHA_IODATAR11 in SHA384 or SHA_IODATAR15 in SHA512.

When SHA224 is selected, the content of SHA_ODATAR7 must be ignored.

When SHA384 is selected, the content of SHA_IODATAR12 to SHA_IODATAR15 must be ignored.

SAMA5D3 SERIES

54. Electrical Characteristics

54.1 Absolute Maximum Ratings

Table 54-1: Absolute Maximum Ratings*

Junction Temperature.....	125°C
Storage Temperature.....	-60°C to +150°C
Voltage on Input Pins with Respect to Ground...-	0.3V to VDDIO + 0.3V (+ 4V max)
Maximum Operating Voltage (VDDCORE, VDDPLLA, VDDUTMIC).....	1.5V
(VDDIODDR).....	2.0V
(VDDIOM, VDDIOPx, VDDUTMII, VDDOSC, VDDANA and VDDBU).....	4.0V
(VDDFUSE).....	3.3V
Total DC Output Current on all I/O lines.....	350 mA

*Notice: Stresses beyond those listed under “Absolute Maximum Ratings” may cause permanent damage to the device. This is a stress rating only and functional operation of the device at these or other conditions beyond those indicated in the operational sections of this specification is not implied. Exposure to absolute maximum rating conditions for extended periods may affect device reliability.

54.2 DC Characteristics

The following characteristics are applicable to the operating temperature range $T_A = -40^{\circ}\text{C}$ to $+105^{\circ}\text{C}$, unless otherwise specified.

Table 54-2: DC Characteristics

Symbol	Parameter	Conditions	Min	Typ	Max	Unit
T_A	Operating Temperature	—	-40		+105	°C
V_{DDCORE}	Core DC Supply Voltage	—	1.08	1.2	1.32	V
$V_{DDUTMIC}$	UDPHS and UPHPS UTMI+ Core DC Supply Voltage	—	1.08	1.2	1.32	V
$V_{DDUTMII}$	UDPHS and UPHPS UTMI+ Interface DC Supply Voltage	—	3.0	3.3	3.6	V
V_{DDBU}	Backup DC Supply Voltage	—	1.65	—	3.6	V
V_{DDPLLA}	PLLA DC Supply Voltage	—	1.08	1.2	1.32	V
V_{DDOSC}	Oscillator and PLL UTMI DC Supply Voltage	If PLL UTMI or USB is used, the V_{DDOSC} range is to be 3.0V to 3.6V	1.65	—	3.6	V
V_{DDIOM}	EBI I/Os DC Supply Voltage	—	1.65/3.0	1.8/3.3	1.95/3.6	V
$V_{DDIODDR}$	SDRAM I/Os DC Supply Voltage	DDR2 or LPDDR usage	1.7	1.8	1.95	V
		LPDDR2 usage	1.14	1.2	1.30	
V_{DDIOP0}	Peripheral I/Os DC Supply Voltage	—	1.65	—	3.6	V
V_{DDIOP1}	Peripheral I/Os DC Supply Voltage	—	1.65	—	3.6	V
V_{DDFUSE}	Fuse Box DC Supply Voltage	For FUSE programming only	2.25	2.5	2.75	V
$I_{VDDFUSE}$	VDDFUSE Current	During FUSE programming	—	—	40	mA
V_{DDANA}	Analog DC Supply Voltage	—	3.0	3.3	3.6	V

Table 54-2: DC Characteristics (Continued)

Symbol	Parameter	Conditions	Min	Typ	Max	Unit
V _{IL}	Input Low-level Voltage	V _{DDIO} in 3.3V range	-0.3	—	0.8	V
		V _{DDIO} in 1.8V range	-0.3	—	0.3 × V _{DDIO}	
V _{IH}	Input High-level Voltage	V _{DDIO} in 3.3V range	2	—	V _{DDIO} + 0.3	V
		V _{DDIO} in 1.8V range	0.7 × V _{DDIO}	—	V _{DDIO} + 0.3	
V _{hys}	Schmitt trigger Hysteresis	All PIO lines V _{DDIOx} in 3.3V range	0.34	—	—	V
		All PIO lines V _{DDIOx} in 1.8V range	0.21	—	—	
V _{OL}	Output Low-level Voltage	I _O Max	—	—	0.4	V
V _{OH}	Output High-level Voltage	I _O Max	V _{DDIO} - 0.4	—	—	V
R _{PULL}	Pull-up/Pull-down Resistance	All PIO lines V _{DDIOx} in 1.8V range	100	160	310	kΩ
		All PIO lines NTRST and NRST V _{DDIOx} in 3.3V range	45	70	130	
		GMAC pads VDDIO = 2.5V for PB0-PB26 signals	70	100	180	
I _O	Output Current	TDI, TCK, NTRST, BMS, TMS, TDO, NRST, NANDRDY, PA0–PA27, PA29–PA31, PB28–PB31, PC0– PC14, PC16–PC23, PC25–PC31, PD0–PD8, PD10–PD11, PD13– PD31 V _{DDIOPx} in 1.8V range	5 (LO_DRIVE)	16 (ME_DRIVE)	22 (HI_DRIVE)	mA
		TDI, TCK, NTRST, BMS, TMS, TDO, NRST, NANDRDY, PA0–PA27, PA29–PA31, PB28–PB31, PC0– PC14, PC16–PC23, PC25–PC31, PD0–PD8, PD10–PD11, PD13– PD31 V _{DDIOPx} in 3.3V range	8 (LO_DRIVE)	26 (ME_DRIVE)	38 (HI_DRIVE)	
		NCS3, NRD, NWE, PA28, PB0– PB27, PC15, PC24, PD9, PD12, PE0–PE31, D0–D15	3 (LO_DRIVE)	6 (ME_DRIVE)	7 (HI_DRIVE)	
R _S	Series Resistor	TMS, TDO, NRST, NANDRDY, PA0– PA27, PA29–PA31, PB28–PB31, PC0–PC14, PC16–PC23, PC25– PC31, PD0–PD8, PD10–PD11, PD13–PD19	—	30	—	Ω
		NCS3, NRD, NWE, PA28, PB0– PB27, PC15, PC24, PD9, PD12, PE0–PE31, D0–D15	—	13	—	

SAMA5D3 SERIES

Table 54-2: DC Characteristics (Continued)

Symbol	Parameter	Conditions	Min	Typ	Max	Unit	
I _{SC}	Static Current	On V _{DDCORE} = 1.1V, MCK = 0 Hz, excluding POR All inputs driven TMS, TDI, TCK, NRST = 1	T _A = 25°C	—	0.4	—	mA
			T _A = 85°C	—	—	4.3	
			T _A = 105°C	—	—	8.2	
		On V _{DDBU} = 3.3V, Logic cells consumption, excluding POR All inputs driven WKUP = 0	T _A = 25°C	—	1.2	—	μA
			T _A = 85°C	—	1.4	—	
			T _A = 105°C	—	1.8	2.6	

54.3 Power Consumption

- Typical power consumption of PLLs, slow clock and main oscillator
- Power consumption of power supply in four different modes: Active, Idle, Ultra Low-power and Backup
- Power consumption by peripheral: calculated as the difference in current measurement after having enabled then disabled the corresponding clock
- Software used for power consumption measurements: DHRYSTONE
- Instruction and data caches are enabled. The Memory Management Unit (MMU) is enabled.

54.3.1 Static Current

Static current, or leakage current, is measured when the system has no activity at all. Static current is very sensitive to process and operating temperatures and the value may fluctuate considerably between two different devices, and vary according to the operating temperature. Figures are given in [Table 54-2](#).

This variation explains the differences between two measurements done on different devices or at different temperatures.

54.3.2 Active Mode

Active Mode is the normal running mode with the core clock running from a PLL. The power management controller can be used to adapt the frequency and to disable the peripheral clocks.

Note: Active power consumption may vary by ±5% depending on the compiler used and the process.

54.3.3 Low-power Modes

54.3.3.1 Backup Mode

Backup mode achieves the lowest power consumption possible in a system which is performing periodic wake-ups to perform tasks but not requiring fast startup time.

The Zero-power Power-on Reset, RTC, Backup registers and 32 kHz oscillator (RC or crystal oscillator selected by software in the Supply Controller) are running. The core supply is off.

The system can be awakened from this mode through the WKUP0 pin or an RTC wake-up event.

Backup mode is entered with the help of the Shutdown Controller that asserts the SHDN output pin. The SHDN pin is to be connected to the enable pin of the VDDCORE regulator.

Exit from Backup mode happens if one of the following enable wake-up events occurs:

- WKUP0 pin (level transition, configurable debouncing)
- RTC alarm

The system will restart as for a reset event.

54.3.3.2 Idle Mode

Idle mode optimizes power consumption of the device versus response time. In Idle mode, only the core clock is stopped. The peripheral clocks, including the DDR Controller clock, can be enabled. The current consumption in this mode is application dependent.

Idle mode is entered via the Wait for Interrupt (WFI) instruction and PCK disabling.

The processor can be awakened from an interrupt. The system will resume where it was before entering in WFI mode.

Note: The power consumption includes the static current.

54.3.3.3 Ultra Low-power Mode

Ultra low-power mode reduces the power consumption of the device to a minimum without disconnecting VDDCORE power supply. It is a combination of very low frequency operations and Idle mode.

12 MHz, 750 kHz and 187 kHz Ultra low-power modes are entered via the following steps:

1. Set the DDR to Self Refresh mode.
2. Reduce the system clock (PCK and MCK) to 12 MHz, 750 kHz and 187 kHz with the help of the PMC:
 - Main Clock (12 MHz RC or 12 MHz crystal oscillator) is to be used as system clock.
 - PCK and MCK configuration is to be defined regarding the expected power consumption and wake-up time. Refer to [Table 54-3 Low-power Mode Configuration Summary](#) for details.
 - PLLs are disabled. CKGR_PLLAR (if applicable, CKGR_PLLBR) is set to 0x3F00. CKGR_UCKR is set to 0.
 - If using 12 MHz crystal oscillator as clock source, 12 MHz RC oscillator is disabled. MOSRCEN is set to 0 in CKGR_MOR.
 - If using 12 MHz RC oscillator as clock source, 12 MHz Crystal Oscillator is disabled. MOSCXEN is set to 0 in CKGR_MOR.
3. Enter Wait for Interrupt (WFI) mode and disable the PCK clock.

The processor can be awakened from an interrupt.

Once revived, the system must reprogram the system clocks (OSC, PLL, PCK, MCK, DDRCK) to recover the previous state. Data is maintained in the external memory.

32 kHz Ultra low-power mode is entered via the following steps:

1. Set the DDR to Self Refresh mode.
2. Reduce the system clock (PCK and MCK) to 32 kHz with the help of the PMC.
 - 32 kHz RC or crystal oscillator must be started with RCEN or OSC32EN.
 - Slow Clock is to be used as system clock.
 - PLLs are disabled. CKGR_PLLAR (if applicable, CKGR_PLLBR) is set to 0x3F00. CKGR_UCKR is set to 0.
 - Eventually 12 MHz crystal oscillator is disabled. MOSCXEN is set to 0 in CKGR_MOR.
 - Eventually 12 MHz RC oscillator is disabled. MOSRCEN is set to 0 in CKGR_MOR.
3. Enter Wait for Interrupt (WFI) mode and disable the PCK clock.

The processor can be awakened from an interrupt.

Once revived, the system must reprogram the system clocks (OSC, PLL, PCK, MCK, DDRCK) to recover the previous state. Data is maintained in the external memory.

54.3.3.4 Low-power Mode Summary Table

Backup, Idle and Ultra low-power modes are the main low-power modes. Each part can be set to on or off separately, and wake-up sources can be individually configured. [Table 54-3 on page 1692](#) shows a summary of the configurations of the low-power modes.

Table 54-3: Low-power Mode Configuration Summary

Mode	32K RC, 12 MHz RC, 32 kHz Osc., RTC, GPBR, POR (Backup Region)	VDDCORE External Regulator	Core Memory Peripherals	Mode Entry	Potential Wake-up Sources	Core at Wake-up	PIO State while in Low- power Mode	PIO State at Wake-up	Consumption ⁽²⁾	Wake-up Time ⁽¹⁾
Backup	ON	OFF	OFF (not powered)	SHDWC	WKUP0 pin RTC alarm	Reset	Reset	Inputs with pull-ups	1.2 μ A typ ⁽³⁾	Start-up time
Idle	ON	ON	Powered (not clocked)	WFI	Any interrupt	Clocked back at full speed	Previous state saved	Unchanged	See Table 54-7 10 mA for each PLL ⁽⁴⁾	285 ns @ 132 MHz
Ultra Low-power	ON	ON	Powered (not clocked)	DDR in Self-refresh PMC WFI	Any interrupt	Clocked back at previous one	Previous state saved	Unchanged	See Table 54-8	See Table 54-8

Note 1: When considering wake-up time, the time required to start the PLL is not taken into account. Once started, the device works with the Main Oscillator. The user has to add the PLL start-up time if it is needed in the system. The wake-up time is defined as the time taken for wake up until the first instruction is fetched.

- 2:** The external loads on PIOs are not taken into account in the calculation.
- 3:** Total current consumption
- 4:** Depends on PLL frequency

54.3.4 Power Consumption versus Modes

The values in [Table 54-4](#), [Table 54-5](#), [Table 54-6](#), [Table 54-7](#), and [Table 54-8](#) are measured values of the power consumption under the following operating conditions:

- Parts are from typical process
- $V_{DDIOM} = 1.8\text{ V}$
- $V_{DDIOP0\text{ and }1} = 3.3\text{ V}$
- $V_{DDPLLA} = 1.2\text{ V}$
- $V_{DDCORE} = 1.2\text{ V}$ unless specified otherwise in the table
- $V_{DDBU} = 3.3\text{ V}$
- $T_A =$ as specified in the table
- No consumption on the I/Os of the device
- All peripheral clocks disabled

Figure 54-1: Measures Schematics

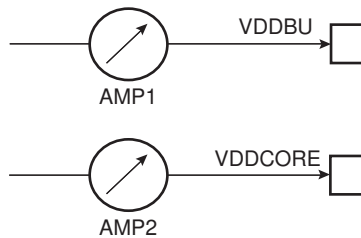


Table 54-4: VDDCORE Power Consumption in Active Mode (AMP2)

Mode	Conditions	VDDCORE	Consumption			Unit
			$T_A\ 25^\circ\text{C}$	$T_A\ 85^\circ\text{C}$	$T_A\ 105^\circ\text{C}$	
Active	ARM Core clock is 396 MHz. MCK is 132 MHz.	1.2 V	90	95	101	mA
Active	ARM Core clock is 498 MHz. MCK is 166 MHz.	1.26 V	117	124	129	mA
Active	ARM Core clock is 528 MHz. MCK is 132 MHz.	1.26 V	117	124	129	mA

Table 54-5: Power Consumption by Peripheral in Active Mode ($T_A\ 25^\circ\text{C}$, $T_A\ 85^\circ\text{C}$ and $T_A\ 105^\circ\text{C}$)

Peripheral	Max Frequency (MHz) ⁽¹⁾	Consumption $\mu\text{A}/\text{MHz}$ ⁽²⁾	Conditions
PIO Controller	MCK	4.5	—
USART	MCK/2	3.0	—
UART	MCK/2	1.0	—
DBGU	MCK	1.0	—
UHPS	MCK	12	No activity
		98	The SAMA5D3 board is connected as USB Host to another SAMA5D3 board as USB Device, writing a file into USB key @ 10 MB/s, CPU usage 24%. This includes DDR2 controller power consumption on VDDCORE. Power consumption = $9.6 \times \text{transfer speed (MB/s)} + 12$

SAMA5D3 SERIES

Table 54-5: Power Consumption by Peripheral in Active Mode (T_A 25°C, T_A 85°C and T_A 105°C) (Continued)

Peripheral	Max Frequency (MHz) ⁽¹⁾	Consumption μ A/MHz ⁽²⁾	Conditions
UDPHS	MCK	31	No activity
		88	The SAMA5D3 board is connected to PC. Read/write a file into DDR2 memory @ 14 MB/s, CPU usage = 17%. Power consumption = 4.1 × transfer speed (MB/s) + 31
ADC	MCK/2	4.0	—
TWI	MCK/4	1.3	—
SPI	MCK	2.5	—
PWM	MCK	6.5	—
HSMCI	MCK	14.5	—
SSC	MCK/2	3.5	—
TC Channels	MCK	3.0	—
DMA	MCK	50	No activity
		66	Data transfer from IF0 to IF1 with 64-byte full FIFO. Bandwidth usage is about 51%. Power consumption = 32.2 × bandwidth usage + 50.
SMD	24	5.5	—
ISI	MCK	30	—
EMAC	MCK	7	No activity
		174	The SAMA5D3 board is acting as a server. CPU usage is 16%. Power consumption = 4.2 × transfer speed (Mb/s) + 7. This includes DDR2 controller power consumption on VDDCORE.
GMAC	MCK	36	No activity
		160	The SAMA5D3 board is acting as a server. CPU usage is 24%. Power consumption = 1.2 × transfer speed (Mb/s) + 36. This includes DDR2 controller power consumption on VDDCORE.
LCDC	MCK	13.0	No activity
		160	Frame rate is 43 fps, 5 layers (Base 800px*600px, Ovr1 640px*480px, Ovr2 640px*480px, HEO 32px*48px, Cur 128px*128px), 24-bit data path, pixel clock is 44 MHz. This includes DDR2 controller power consumption on VDDCORE.
		230	Frame rate is maximum (85 fps), 5 layers (Base 800px*600px, Ovr1 640px*480px, Ovr2 640px*480px, HEO 32px*48px, Cur 128px*128px), 24-bit data path, pixel clock is 44 MHz. This includes DDR2 controller power consumption on VDDCORE.
CAN	MCK/2	4.5	—
SHA	MCK	4.0	—
AES	MCK	2.0	—
TDES	MCK	1.0	—
TRNG	MCK	0.2	—

Note 1: In order to reduce power consumption, each peripheral clock has been timed to an optimum value. The peripheral frequency is programmable with the help of a divider in the PMC_PCR. Programming a divider giving higher frequency than required will lead to an unpredictable behavior.

2: Reference frequency is the peripheral frequency. It can be a division (1, 2, 4, 8) of MCK. Refer to [Section 26. Power Management Controller \(PMC\)](#) for more details.

Table 54-6: VDDBU Power Consumption in Backup Mode (AMP1)

Mode	Conditions	VDDBU	Consumption			Unit
			T _A 25°C	T _A 85°C	T _A 105°C	
Backup	Backup Mode	3.3V	1.2 typ 1.4 max	1.4 typ 1.8 max	1.9 typ 2.6 max	μA

Table 54-7: VDDCORE Power Consumption in Idle Mode (AMP2)

Mode	Conditions	VDDCORE	Typical Consumption (mA)			Wakeup Time (ns)
			T _A 25°C	T _A 85°C	T _A 105°C	
Idle	ARM Core clock is disabled. MCK is 132 MHz.	1.2V	24	29	33	285

Table 54-8: VDDCORE Power Consumption in Ultra Low-Power Mode (AMP2)

Mode	Conditions	VDDCORE	Typical Consumption (mA)			Wakeup Time (μs)
			T _A 25°C	T _A 85°C	T _A 105°C	
ULP 12 MHz	ARM Core clock is disabled. MCK is 12 MHz.	1.2V	1.68	5.5	9.6	3.80
ULP 750 kHz	ARM Core clock is disabled. MCK is 750 kHz.	1.2V	0.5	4.3	8.4	60.8
ULP 187 kHz	ARM Core clock is disabled. MCK is 187.5 kHz.	1.2V	0.43	4.3	8.3	246
ULP 32 kHz	ARM Core clock is disabled. MCK is 32 kHz.	1.2V	0.40	4.2	8.2	1390

SAMA5D3 SERIES

54.4 Clock Characteristics

54.4.1 Processor Clock Characteristics

Table 54-9: Processor Clock Waveform Parameters

Symbol	Parameter	Conditions	Min	Max	Unit
1/ (t _{CPPCK})	Processor Clock Frequency	VDDCORE[1.08V, 1.32V], T _A = 105°C	250 ⁽¹⁾	400	MHz
		VDDCORE[1.2V, 1.32V], T _A = 105°C	250 ⁽¹⁾	536	

Note 1: Limitation for DDR2 usage only. There are no limitations to LPDDR and LPDDR2. Ratio between PCK and MCK must be DIV2, DIV3 or DIV4.

54.4.2 Master Clock Characteristics

The master clock is the maximum clock at which the system is able to run. It is given by the smallest value of the internal bus clock and EBI clock.

Table 54-10: Master Clock Waveform Parameters

Symbol	Parameter	Conditions	Min	Max	Unit
1/ (t _{CPMCK})	Master Clock Frequency	VDDCORE[1.08V, 1.32V], T _A = 105°C	125 ⁽¹⁾	134	MHz
		VDDCORE[1.2V, 1.32V], VDDIODDR[1.75V, 1.9V], DDR2 mode only, T _A = 105°C	125	166	
		VDDCORE[1.2V, 1.32V], VDDIODDR[1.75V, 1.9V], LPDDR mode only, T _A = 105°C	–	156	
		VDDCORE[1.2V, 1.32V], VDDIODDR[1.2V, 1.3V], LPDDR2 mode only, T _A = 105°C	–	145	

Note 1: Limitation for DDR2 usage only. There are no limitations to LPDDR and LPDDR2.

54.5 Main Oscillator Characteristics

Table 54-11: Main Oscillator Characteristics

Symbol	Parameter	Conditions	Min	Typ	Max	Unit
f_{osc}	Operating Frequency	SFR_UTMICKTRIM.FREQ = 00, 01 ⁽²⁾	8	—	16	MHz
		SFR_UTMICKTRIM.FREQ = 10	20	—	24	
		SFR_UTMICKTRIM.FREQ = 11	44	—	48	
C_{LOAD}	Load Capacitance	SFR_UTMICKTRIM.FREQ = 00, 01	12.5	—	17.5	pF
		SFR_UTMICKTRIM.FREQ = 10	4	—	8	
		SFR_UTMICKTRIM.FREQ = 11	4	—	6	
C_{LEXT} ⁽¹⁾	External Load Capacitance	—	—	—	pF	
C_{PARA}	Parasitic Load Capacitance	—	0.6	0.7	0.8	pF
—	Duty Cycle	—	40	—	60	%
t_{START}	Startup Time	—	—	—	2	ms
$I_{DD(standby)}$	Standby Current Consumption	Standby mode	—	—	0.1	μ A
P_{ON}	Drive Level	SFR_UTMICKTRIM.FREQ = 00, 01	—	—	150	μ W
		SFR_UTMICKTRIM.FREQ = 10	—	—	300	
		SFR_UTMICKTRIM.FREQ = 11	—	—	400	
$I_{DD ON}$	Current Dissipation	@ 12 MHz	—	0.5	1	mA

Note 1: The external capacitors value can be determined by using the following formula:

$$C_{LEXT} = (2 \times C_{LOAD}) - C_{BOARD} - C_{ROUTING} - C_{PACKAGE} - (C_{PARA} \times 2)$$

where

C_{LEXT} : external capacitor value which must be soldered from XIN to GND and XOUT to GND

C_{LOAD} : crystal targeted load. (Refer to C_{LOAD} parameter.)

C_{BOARD} : external calculated (or measured) parasitic value due to board

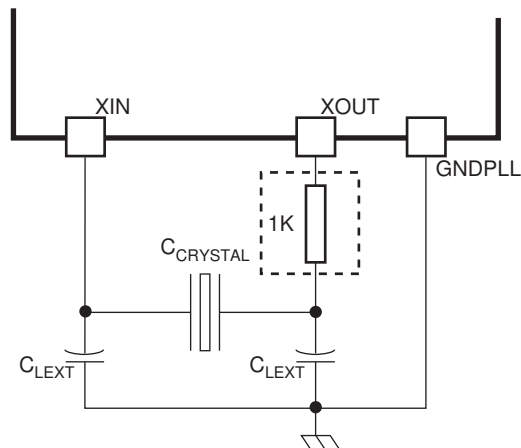
$C_{ROUTING}$: parasitic capacitance due to internal chip routing, typically 1.5 pF

$C_{PACKAGE}$: parasitic capacitance due to package and bonding, typically 0.75 pF

C_{PARA} : internal parasitic load due to internal structure.

2: The SFR_UTMICKTRIM.FREQ field defines the input frequency for the UTMI and the main oscillator. It is important to select the correct FREQ value because this has a direct influence on USB frequency.

Figure 54-2: Main Oscillator Schematics



SAMA5D3 SERIES

54.5.1 Crystal Oscillator Characteristics

The following characteristics are applicable to the operating temperature range $T_A = -40^{\circ}\text{C}$ to $+105^{\circ}\text{C}$ and worst case of power supply, unless otherwise specified.

Table 54-12: Crystal Characteristics

Symbol	Parameter	Conditions	Min	Typ	Max	Unit
ESR	Equivalent Series Resistance	@12 MHz, SFR_UTMICKTRIM.FREQ = 00, 01	—	—	120	Ω
		@16 MHz, SFR_UTMICKTRIM.FREQ = 00, 01			80	
		@24 MHz, SFR_UTMICKTRIM.FREQ = 10			150	
		@48 MHz, SFR_UTMICKTRIM.FREQ = 11			100	
C_m	Motional Capacitance	SFR_UTMICKTRIM.FREQ = 00, 01 ⁽¹⁾	5	—	9	fF
		SFR_UTMICKTRIM.FREQ = 10 with ESRmax = 150 Ω	1.3		2	
		SFR_UTMICKTRIM.FREQ = 11 with ESRmax = 100 Ω	2		3.2	
C_{SHUNT}	Shunt Capacitance	SFR_UTMICKTRIM.FREQ = 00, 01	—	—	7	pF
		SFR_UTMICKTRIM.FREQ = 10 with ESRmax = 150 Ω			1	
		SFR_UTMICKTRIM.FREQ = 11 with ESRmax = 100 Ω			1.3	

Note 1: The SFR_UTMICKTRIM.FREQ field defines the input frequency for the UTMI and the main oscillator. It is important to select the correct FREQ value because this has a direct influence on USB frequency.

54.5.2 XIN Clock Characteristics

Table 54-13: XIN Clock Electrical Characteristics

Symbol	Parameter	Conditions	Min	Max	Unit
$1/t_{CPXIN}$	XIN Clock Frequency	—	—	50	MHz
t_{CPXIN}	XIN Clock Period	—	20	—	ns
t_{CHXIN}	XIN Clock High Half-period	—	$0.4 \times t_{CPXIN}$	$0.6 \times t_{CPXIN}$	ns
t_{CLXIN}	XIN Clock Low Half-period	—	$0.4 \times t_{CPXIN}$	$0.6 \times t_{CPXIN}$	ns
C_i	XIN Input Capacitance	Main oscillator in Bypass mode (i.e., when MOSCXTEN = 0 and MOSCXTBY = 1 in CKGR_MOR). See Section 26.17.8 PMC Clock Generator Main Oscillator Register .	—	25	pF
R_I	XIN Pull-down Resistor		—	500	k Ω
V_I	XIN Voltage		V_{DDOSC}	V_{DDOSC}	V

54.6 12 MHz RC Oscillator Characteristics

Table 54-14: 12 MHz RC Oscillator Characteristics

Symbol	Parameter	Conditions	Min	Typ	Max	Unit
$F_{0_{nom}}$	Nominal Frequency	—	11.4	12	12.6	MHz
Duty	Duty Cycle	—	45	50	55	%
I_{DD_ON}	Power Consumption Oscillation	—	—	220	—	μA
t_{START}	Startup time	—	—	—	10	μs
$I_{DD(standby)}$	Standby consumption	—	—	—	22	μA

54.7 32 kHz Oscillator Characteristics

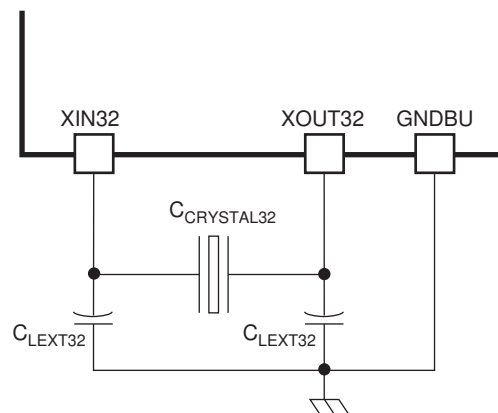
Table 54-15: 32 kHz Oscillator Characteristics

Symbol	Parameter	Conditions	Min	Typ	Max	Unit	
$1/t_{CP32KHz}$	Crystal Oscillator Frequency	—	—	32 768	—	kHz	
$C_{CRYSTAL32}$	Load Capacitance	Crystal @ 32.768 kHz	6	—	12.5	pF	
$C_{LEXT32}^{(2)}$	External Load Capacitance	$C_{CRYSTAL32} = 6$ pF	—	6	—	pF	
		$C_{CRYSTAL32} = 12.5$ pF	—	19	—	pF	
	Duty Cycle	—	40	50	60	%	
t_{START}	Startup Time	$R_S = 50$ k $\Omega^{(1)}$	$C_{CRYSTAL32} = 6$ pF	—	—	400	ms
			$C_{CRYSTAL32} = 12.5$ pF	—	—	900	ms
		$R_S = 100$ k $\Omega^{(1)}$	$C_{CRYSTAL32} = 6$ pF	—	—	600	ms
			$C_{CRYSTAL32} = 12.5$ pF	—	—	1200	ms
P_{ON}	Drive Level	—	—	—	0.2	μW	

Note 1: R_S is the equivalent series resistance.

2: C_{LEXT32} is determined by taking into account internal, parasitic and package load capacitance.

Figure 54-3: 32 kHz Oscillator Schematics



SAMA5D3 SERIES

54.7.1 32 kHz Crystal Characteristics

Table 54-16: 32 kHz Crystal Characteristics

Symbol	Parameter	Conditions	Min	Typ	Max	Unit
ESR	Equivalent Series Resistor R_S	Crystal @ 32.768 kHz	—	50	100	k Ω
C_m	Motional Capacitance	Crystal @ 32.768 kHz	0.6	—	3	fF
C_{SHUNT}	Shunt Capacitance	Crystal @ 32.768 kHz	0.6	—	2	pF
I_{DD_ON}	Current dissipation	$R_S = 50\text{ k}\Omega$, $C_{CRYSTAL32} = 6\text{ pF}$	—	0.3	0.65	μA
		$R_S = 50\text{ k}\Omega$, $C_{CRYSTAL32} = 12.5\text{ pF}$	—	0.45	0.7	μA
		$R_S = 100\text{ k}\Omega$, $C_{CRYSTAL32} = 6\text{ pF}$	—	0.45	0.75	μA
		$R_S = 100\text{ k}\Omega$, $C_{CRYSTAL32} = 12.5\text{ pF}$	—	0.45	0.65	μA
$I_{DD(standby)}$	Standby consumption	—	—	5	10	nA

54.7.2 XIN32 Clock Characteristics

Table 54-17: XIN32 Clock Characteristics

Symbol	Parameter	Conditions	Min	Max	Unit
$1/(t_{CPXIN32})$	XIN32 Clock Frequency	—	—	44	kHz
$t_{CPXIN32}$	XIN32 Clock Period	—	22	—	μs
$t_{CHXIN32}$	XIN32 Clock High Half-period	—	11	—	μs
$t_{CLXIN32}$	XIN32 Clock Low Half-period	—	11	—	μs
t_{CLCH32}	XIN32 Clock Rise time	—	400	—	ns
t_{CLCL32}	XIN32 Clock Fall time	—	400	—	ns
C_{IN32}	XIN32 Input Capacitance	32.768 kHz oscillator in Bypass mode (i.e., when RCEN = 0, OSC32EN = 0, OSCSEL = 1 and OSC32BYP = 1 in SCKC_CR). See Section 23.5.1 Slow Clock Controller Configuration Register .	—	6	pF
R_{IN32}	XIN32 Pull-down Resistor		—	4	M Ω
V_{IN32}	XIN32 Voltage		V_{DDBU}	V_{DDBU}	V
V_{INIL32}	XIN32 Input Low Level Voltage		-0.3	$0.3 \times V_{DDBU}$	V
V_{INIH32}	XIN32 Input High Level Voltage		$0.7 \times V_{DDBU}$	$V_{DDBU} + 0.3$	V

54.8 32 kHz RC Oscillator Characteristics

Table 54-18: 32 kHz RC Oscillator Characteristics

Symbol	Parameter	Conditions	Min	Typ	Max	Unit
$1/(t_{CPRCz})$	Crystal Oscillator Frequency	—	30.4	32	33.6	kHz
—	Duty Cycle	—	45	—	55	%
t_{START}	Startup Time	—	—	290	500	μ s
I_{DD_ON}	Power Consumption Oscillation	After startup time	—	1.1	2.1	μ A
$I_{DD(standby)}$	Standby consumption	—	—	—	0.2	μ A

54.9 PLL Characteristics

Table 54-19: PLLA Characteristics

Symbol	Parameter	Conditions	Min	Typ	Max	Unit
f_{OUT}	Output Frequency	VDDPLLA[1.08V, 1.32V] ICPLLA = 0 OUTA = 0	400	—	800	MHz
		VDDPLLA[1.2V, 1.32V] ICPLLA = 0 OUTA = 0	400	—	1000	
f_{IN}	Input Frequency	—	8	—	50	MHz
I_{PLL}	Current Consumption	Active mode @ 800 MHz	—	10	14	mA
		Standby mode	—	1	200	μ A
t_{START}	Startup Time	—	—	25	100	μ s

54.9.1 UTMI PLL Characteristics

Table 54-20: Phase Lock Loop Characteristics

Symbol	Parameter	Conditions	Min	Typ	Max	Unit
f_{IN}	Input Frequency	—	—	12	—	MHz
f_{OUT}	Output Frequency	—	—	480	—	MHz
I_{PLL}	Current Consumption	Active mode	—	5	8	mA
		Standby mode	—	—	1.5	μ A
t_{START}	Startup Time	—	—	—	50	μ s

SAMA5D3 SERIES

54.10 USB HS Characteristics

54.10.1 USB HS Electrical Characteristics

Table 54-21: Electrical Parameters

Symbol	Parameter	Conditions	Min	Typ	Max	Unit
R_{PUI}	Bus Pull-up Resistor on Upstream Port (idle bus)	In LS or FS Mode	—	1.5	—	k Ω
R_{PUA}	Bus Pull-up Resistor on Upstream Port (upstream port receiving)	In LS or FS Mode	—	15	—	k Ω
$t_{s(BIAS)}$	Bias settling time	—	—	—	20	μ s
$t_{s(OSC)}$	Oscillator settling time	With crystal 12 MHz	—	—	2	ms
t_s	Settling time	$f_{IN} = 12$ MHz	—	0.3	0.5	ms

54.10.2 USB HS Static Power Consumption

Table 54-22: Static Power Consumption

Symbol	Parameter	Conditions	Min	Typ	Max	Unit
I_{BIAS}	Bias current consumption on VBG	—	—	—	1	μ A
$I_{VDDUTMI}$ I	HS Transceiver and I/O current consumption	—	—	—	8	μ A
	LS / FS Transceiver and I/O current consumption	No connection ⁽¹⁾	—	—	3	μ A
$I_{VDDUTMI}$ C	Core, PLL, and Oscillator current consumption	—	—	—	2	μ A

Note 1: If cable is connected, add 200 μ A (typical) due to pull-up/pull-down current consumption.

54.10.3 USB HS Dynamic Power Consumption

Table 54-23: Dynamic Power Consumption

Symbol	Parameter	Conditions	Min	Typ	Max	Unit
I_{BIAS}	Bias current consumption on VBG	—	—	0.7	0.8	mA
$I_{VDDUTMI}$ I	HS Transceiver current consumption	HS transmission	—	47	60	mA
	HS Transceiver current consumption	HS reception	—	18	27	mA
	LS / FS Transceiver current consumption	FS transmission 0m cable ⁽¹⁾	—	4	6	mA
	LS / FS Transceiver current consumption	FS transmission 5m cable ⁽¹⁾	—	26	30	mA
	LS / FS Transceiver current consumption	FS reception ⁽¹⁾	—	3	4.5	mA
$I_{VDDUTMI}$ C	PLL, Core and Oscillator current consumption	—	—	5.5	9	mA

Note 1: Including 1 mA due to pull-up/pull-down current consumption.

54.11 12-bit ADC Characteristics

Electrical data are in accordance with the following standard conditions unless otherwise specified:

- Operating temperature range from -40°C to +105°C
- Min and max data are defined as three times the standard deviation of the manufacturing process

54.11.1 ADC Power Supply

Table 54-24: Analog Power Supply Characteristics

Symbol	Parameter	Conditions	Min	Typ	Max	Unit
V_{DDINR}	Supply Voltage Range	Full operational	2.4	—	3.6	V
I_{VDDIN}	Analog Current Consumption	ADC Sleep Mode ⁽¹⁾	—	2	8	μA
		ADC Fast Wake-up Mode ⁽²⁾	—	2.2	3.4	mA
		ADC Normal Mode	—	4.4	6.4	mA
$I_{VDDcore}$	Digital Current Consumption	ADC Sleep Mode (all off) ⁽¹⁾	—	—	0.1	μA
		ADC Normal Mode	—	0.2	0.4	mA

Note 1: In Sleep mode the ADC core, sample and hold, and internal reference operational amplifier are off.

2: In Fast Wake-up mode, only the ADC core is off.

54.11.2 External Reference Voltage

V_{ADVREF} is an external reference voltage applied on the pin ADVREF. The quality of the reference voltage V_{ADVREF} is critical to the performance of the ADC. A DC variation of the reference voltage V_{ADVREF} is converted to a gain error by the ADC. The noise generated by V_{ADVREF} is converted by the ADC to count noise.

Table 54-25: ADVREF Electrical Characteristics

Symbol	Parameter	Conditions	Min	Typ	Max	Unit
$V_{ADVREFR}$	ADVREF Voltage Range	Full operational ⁽¹⁾	2.4	—	3.6	V
V_n	Input Voltage Noise ⁽¹⁾	Gain = 0.5, DIFF ⁽²⁾ mode	—	—	1100	μVrms
		Gain = 1, SE ⁽³⁾ and DIFF ⁽²⁾	—	—	550	
		Gain = 2, SE ⁽³⁾ and DIFF ⁽²⁾	—	—	274	
		Gain = 4, SE ⁽³⁾ mode	—	—	137	
R_{ADVREF}	ADVREF Input DC Impedance	ADC reference resistor bridge ⁽⁴⁾	6	8	10	kΩ

Note 1: Over a bandwidth from 20 Hz to 20 MHz.

2: DIFF is Differential mode.

3: SE is Single-ended mode.

4: When the ADC is in Sleep mode, the ADVREF impedance has a minimum of 10 MΩ.

SAMA5D3 SERIES

54.11.3 ADC Timings

Table 54-26: ADC Timing Characteristics

Symbol	Parameter	Conditions	Min	Typ	Max	Unit
f_{ADC}	Clock Frequency	—	1	20	22	MHz
t_{CP_ADC}	Clock Period	—	45	50	1000	ns
f_S	Sampling Frequency	—	0.05	1	1.1	MHz
t_{START}	ADC Startup time	Sleep mode to Normal mode Fast Wake-up mode to Normal mode	20 4	30 8	40 12	μ s
t_{TRACK}	Track Time	$f_{ADC} = \text{max value}$	160	—	—	ns
t_{CONV}	Conversion Time	Number of ADC clock pulses to perform a conversion	—	20	—	t_{CP_ADC}
t_s	Settling Time	Settling time to change offset and gain	200	—	—	ns
t_{CAL}	Calibration time	—	200	—	—	ns

54.11.4 ADC Transfer Function

The first operation of the ADC is a sampling function relative to a common mode voltage. The common mode voltage (V_C) is equal to $V_{ADVREF}/2$ when the bits $OFFx = 1$, in Differential and in Single-ended mode. When the bits $OFFx = 0$, sampling is done versus $V_{ADVREF}/4$ for gain = 2, and $V_{ADVREF}/8$ for gain = 4, in Single-ended mode only.

The code in ADC_CDRx is a 12-bit positive integer.

54.11.4.1 Differential Mode

A differential input voltage $V_I = V_{I+} - V_{I-}$ can be applied between two selected differential pins, e.g. AD0 and AD1. The ideal code C_i is calculated by using the following formula and rounding the result to the nearest positive integer.

$$C_i = \frac{4096}{V_{ADVREF}} \times V_I \times \text{Gain} + 2047$$

Table 54-27 is a computation example for the above formula, where $V_{ADVREF} = 3V$.

Table 54-27: Input Voltage Values in Differential Mode

C_i	Gain = 0.5	Gain = 1	Gain = 2
0	-3	-1.5	-0.75
2047	0	0	0
4095	3	1.5	0.75

54.11.4.2 Single-ended Mode

A single input voltage V_I can be applied to selected pins, e.g. AD0 or AD1. The ideal code C_i is calculated by using the following formula and rounding the result to the nearest positive integer.

The single-ended ideal code conversion formula for $OFFx = 1$ is:

$$C_i = \frac{4096}{V_{ADVREF}} \times \left(V_I - \frac{V_{ADVREF}}{2} \right) \times \text{Gain} + 2047$$

Table 54-28 is a computation example for the above formula, where $V_{ADVREF} = 3V$.

Table 54-28: Input Voltage Values in Single-ended Mode, OFFx = 1

Ci	Gain = 1	Gain = 2	Gain = 4
0	0	0.75	1.125
2047	1.5	1.5	1.5
4095	3	2.25	1.875

The single-ended ideal code conversion formula for OFFx = 0 is:

$$C_i = V_i \times \text{Gain} \times \frac{4096}{V_{\text{ADVREF}}} - 1$$

Table 54-29 is a computation example for the above formula, where $V_{\text{ADVREF}} = 3\text{V}$.

Table 54-29: Input Voltage Values in Single-ended Mode, OFFx = 0

Ci	Gain = 1	Gain = 2	Gain = 4
0	0	0	0
2047	1.5	0.75	0.375
4095	3	1.5	0.75

54.11.4.3 Example of LSB Computation

The LSB is relative to the analog scale V_{ADVREF} .

The term LSB expresses the quantization step in volts, also used for one ADC code variation.

- Single-ended (SE) (ex: $V_{\text{ADVREF}} = 3.0\text{V}$)
 - Gain = 1, $\text{LSB} = (3.0\text{V} / 4096) = 732 \mu\text{V}$
 - Gain = 2, $\text{LSB} = (1.5\text{V} / 4096) = 366 \mu\text{V}$
 - Gain = 4, $\text{LSB} = (750 \text{ mV} / 4096) = 183 \mu\text{V}$
- Differential (DIFF) (ex: $V_{\text{ADVREF}} = 3.0\text{V}$)
 - Gain = 0.5, $\text{LSB} = (6.0\text{V} / 4096) = 1465 \mu\text{V}$
 - Gain = 1, $\text{LSB} = (3.0\text{V} / 4096) = 732 \mu\text{V}$
 - Gain = 2, $\text{LSB} = (1.5\text{V} / 4096) = 366 \mu\text{V}$

54.11.5 ADC Electrical Characteristics

The gain error depends on the gain value and the OFFx bit. The data are given with and without autocorrection at 27°C. The data include the ADC performances as the PGA and ADC core cannot be separated. The temperature and voltage dependency are given as separate parameters.

Table 54-30: Voltage and Temperature Dependencies

Symbol	Parameter	Conditions	Min	Typ	Max	Unit
α_G	Gain Temperature Dependency	-40°C to 105°C	—	—	5	ppm/°C
V_{GK}	Gain Supply Dependency	V_{DDIN}	—	—	0.025	%/V
α_O	Offset Temperature Dependency	-40°C to 105°C	—	—	5	ppm/°C
V_{OK}	Offset Supply Dependency	V_{DDIN}	—	—	0.025	%/V

SAMA5D3 SERIES

54.11.5.1 Gain and Offset Errors

For:

- a given gain error: E_G (%)
- a given ideal code (C_i)
- a given offset error: E_O (LSB)

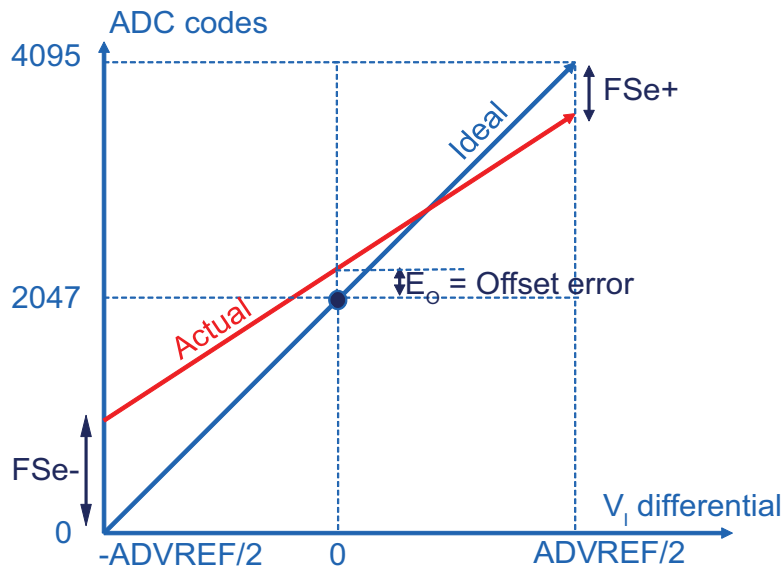
the actual code (C_a) is calculated using the following formula

$$C_a = \left(1 + \frac{E_G}{100}\right) \times (C_i - 2047) + 2047 + E_O$$

- Differential Mode

In differential mode, the offset is defined when the differential input voltage is zero.

Figure 54-4: Gain and Offset Errors in Differential Mode



where:

- $FSe = (FSe+) - (FSe-)$ is for full-scale error, unit is LSB code
- Offset error E_O is the offset error measured for $V_I = 0V$
- Gain error $E_G = 100 \times FSe / 4096$, unit in %

The error values in [Table 54-31](#) and [Table 54-32](#) include the sample and hold error as well as the PGA gain error.

Table 54-31: Differential Gain Error E_G

Gain Mode	0.5		1		2	
	No	Yes	No	Yes	No	Yes
Auto Correction						
Average Gain Error (%)	-0.32	-0.14	-0.11	-0.118	0.016	-0.016
Standard Deviation (%)	0.29	0.20	0.29	0.16	0.3	0.24
Gain Min Value (%)	-1.2	-0.74	-0.98	-0.6	-0.9	-0.5
Gain Max Value (%)	0.56	0.46	0.76	0.37	0.9	0.5

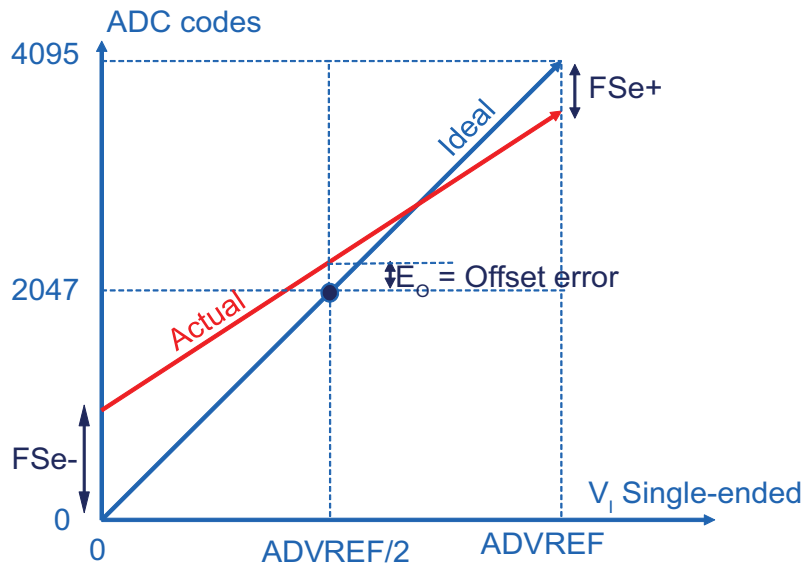
Table 54-32: Differential Output Offset Error E_O

Gain	0.5	1	2
Average Offset Error (LSB)	-0.2	-0.33	-0.8
Standard Deviation (LSB)	0.45	0.58	0.45
Offset Min value (LSB)	-1.54	-2.07	-0.54
Offset Max value (LSB)	1.14	1.4	2.14

- Single-ended Mode

Figure 54-5 illustrates the ADC output code relative to an input voltage V_I between 0V (Ground) and V_{ADVREF} . The ADC is configured in Single-ended mode by connecting internally the negative differential input to $V_{ADVREF}/2$. As the ADC continues to work internally in Differential mode, the offset is measured at $V_{ADVREF}/2$.

Figure 54-5: Gain and Offset Errors in Single-ended Mode



where:

- $FSe = (FSe+) - (FSe-)$ is for full-scale error, unit is LSB code
- Offset error E_O is the offset error measured for $V_I = ADVREF/2$
- Gain error $E_G = 100 \times FSe / 4096$, unit in %

The error values in Table 54-33 and Table 54-34 include the sample and hold error as well as the PGA gain error.

Table 54-33: Single-ended Gain Error

Offset Mode	OFFx = 0		OFFx = 0		OFFx = 1		OFFx = 0		OFFx = 1	
	1		2		2		4		4	
Gain Mode	1		2		2		4		4	
AutoCorrection	No	Yes	No	Yes	No	Yes	No	Yes	No	Yes
Average Gain Error (%)	-0.12	-0.08	0.05	0.04	0.065	0.05	0.18	0.02	0.19	0.02
Standard Deviation (%)	0.3	0.12	0.31	0.09	0.33	0.18	0.31	0.12	0.31	0.2
Min Value (%)	-1.02	-0.44	-0.88	-0.23	-0.925	-0.5	-0.75	-0.34	-0.74	-0.58
Max Value (%)	0.78	0.28	0.98	0.31	1.055	0.6	1.11	0.38	1.12	0.62

SAMA5D3 SERIES

Table 54-34: Single-ended Output Offset Error

Offset Mode	OFFx = 0	OFFx = 0	OFFx = 1	OFFx = 0	OFFx = 1
Gain	1	2	2	4	4
Average Offset Error (LSB)	2.6	-7.6	5	19.2	9.2
Standard Deviation (LSB)	2.3	2.5	4	6	7.9
Min Value (LSB)	-4.3	0.07	-7	1.4	-14.5
Max Value (LSB)	9.5	15	17	37	33

54.11.5.2 ADC Electrical Performances

- Single-ended Static Performances

Table 54-35: Single-ended Static Electrical Characteristics

Symbol	Parameter	Conditions	Min	Typ	Max	Unit
INL	ADC Integral Non-linearity		-2	+/-1	2	LSB
DNL	ADC Differential Non-linearity		-1	-+/-0.5	1	LSB

- Single-ended Dynamic Performances

Table 54-36: Single-ended Dynamic Electrical Characteristics ⁽¹⁾

Symbol	Parameter	Conditions	Min	Typ	Max	Unit
SNR	Signal to Noise Ratio	(1)	54		63	dB
THD	Total Harmonic Distortion	(1)	-82		-73	dB
SINAD	Signal to Noise and Distortion	(1)	54		63	dB
ENOB	Effective Number of Bits	(1)	8.6		10.2	bits

Note 1: ADC Clock (f_{ADC}) = 20 MHz, f_S = 1 MHz, f_{IN} = 127 kHz, Frequency band = [1 kHz, 500 kHz] – Nyquist conditions fulfilled.

- Differential Static Performances

Table 54-37: Differential Static Electrical Characteristics

Symbol	Parameter	Conditions	Min	Typ	Max	Unit
INL	Integral Non-linearity		-2	±1	2	LSB
DNL	Differential Non-linearity		-1	±0.5	1	LSB

- Differential Dynamic Performances

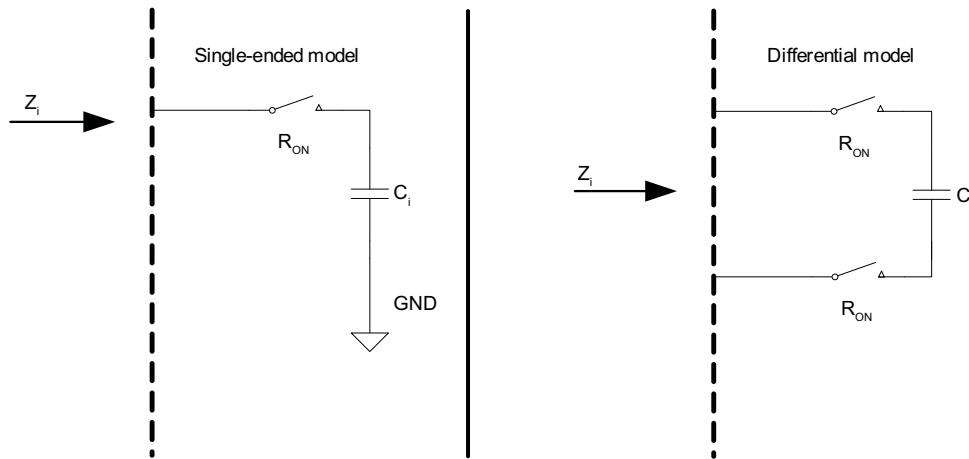
Table 54-38: Differential Dynamic Electrical Characteristics ⁽¹⁾

Symbol	Parameter	Conditions	Min	Typ	Max	Unit
SNR	Signal to Noise Ratio	(1)	57		65	dB
THD	Total Harmonic Distortion	(1)	-83		-74	dB
SINAD	Signal to Noise and Distortion	(1)	57		65	dB
ENOB	Effective Number of Bits	(1)	9.2		10.4	bits

Note 1: ADC Clock (f_{ADC}) = 20 MHz, f_S = 1 MHz, f_{IN} = 127 kHz, Frequency band = [1 kHz, 500 kHz] – Nyquist conditions fulfilled.

54.11.5.3 ADC Channel Input Impedance

Figure 54-6: Input Channel Model



where:

- Z_i is input impedance in single-ended or differential mode
- C_i = 1 to 8 pF $\pm 20\%$ depending on the gain value and mode (SE or DIFF); temperature dependency is negligible
- R_{ON} is typical 2 k Ω and 8 k Ω max (worst case process and high temperature)
- R_{ON} is negligible regarding the value of Z_i

The following formula is used to calculate input impedance:

$$Z_i = \frac{1}{f_S \times C_i}$$

where:

- f_S is the sampling frequency of the ADC channel
- Typ values are used to compute ADC input impedance Z_i

Table 54-39: Input Capacitance Values

Gain Selection	Single-ended	Differential
0.5	–	2 pF
1	2 pF	4 pF
2	2 pF	8 pF
4	4 pF	–

SAMA5D3 SERIES

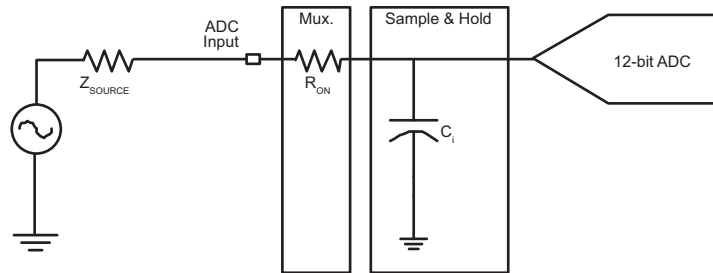
Table 54-40: Z_i Input Impedance

f_s (MHz)	1	0.5	0.25	0.125	0.0625	0.03125	0.015625	0.007813
$C_i = 2$ pF								
Z_i (M Ω)	0.5	1	2	4	8	16	32	64
$C_i = 4$ pF								
Z_i (M Ω)	0.25	0.5	1	2	4	8	16	32
$C_i = 8$ pF								
Z_i (M Ω)	0.125	0.25	0.5	1	2	4	8	16

- Track and Hold Time versus Source Output Impedance

Figure 54-7 shows a simplified acquisition path.

Figure 54-7: Simplified Acquisition Path



In 12-bit mode, during the tracking phase, the ADC must track the input signal during the tracking time shown below:

$$t_{TRACK} = 0.054 \times Z_{SOURCE} + 205$$

with t_{TRACK} expressed in ns and Z_{SOURCE} expressed in Ω .

The ADC already includes a tracking time of $15 t_{CP_ADC}$

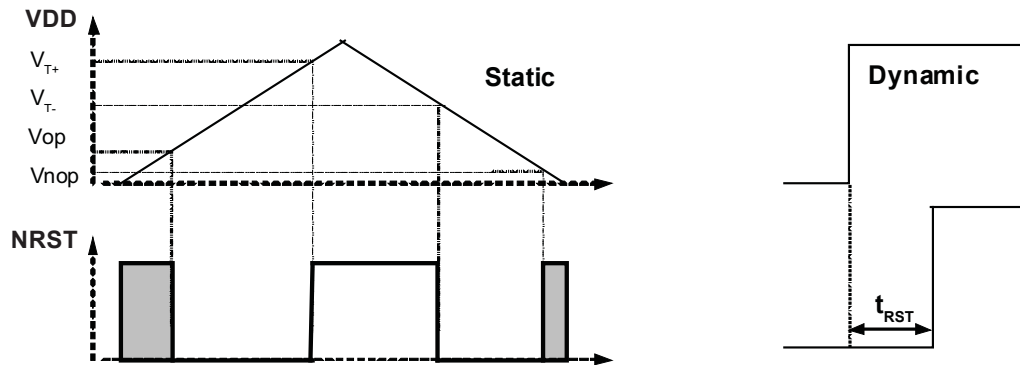
Two cases must be considered:

1. If the calculated tracking time (t_{TRACK}) is lower than $15 t_{CP_ADC}$, then `ADC_MR.TRACKTIM` can be set to 0.
2. If the calculated tracking time (t_{TRACK}) is higher than $15 t_{CP_ADC}$, then `ADC_MR.TRACKTIM` must be set to the correct value.

54.12 POR Characteristics

A general presentation of Power-On Reset (POR) characteristics is provided in [Figure 54-8](#).

Figure 54-8: General Presentation of POR Behavior



When a very slow (versus t_{RST}) supply rising slope is applied on the POR VDD pin, the reset time becomes negligible and the reset signal is released when V_{DD} rises higher than V_{T+} .

When a very fast (versus t_{RST}) supply rising slope is applied on the POR VDD pin, the voltage threshold becomes negligible and the reset signal is released after t_{RST} . It is the smallest possible reset time.

54.12.1 Core Power Supply POR Characteristics

Table 54-41: Core Power Supply POR Characteristics

Symbol	Parameter	Conditions	Min	Typ	Max	Unit
V_{T+}	Threshold Voltage Rising	Minimum slope of +2.3 V/ms	0.85	1.02	1.08	V
V_{T-}	Threshold Voltage Falling	Minimum slope of +2.3 V/ms	0.8	0.96	1.06	V
t_{RST}	Reset Time	—	100	260	600	μ s
I_{DD}	Current Consumption	After t_{RST}	—	250	500	nA

Table 54-42: Power-up Timing Specification

Symbol	Parameter	Conditions	Min	Max	Unit
t_1	Group 2 to Group 1 delay	Delay from the last Group 2 established ⁽¹⁾ supply to the first Group 1 supply turn-on	1	—	ms
t_2	Group 1 delay ⁽²⁾	Delay from the first group 1 established supply to the last Group 1 established supply	—	1	
t_{RSTPU}	Reset Delay at Power-Up	From the last Group 1 established supply to NRST high	1	—	

Note 1: In the whole table, an “established” supply refers to a power supply established to 90% of its final value.

2: Also applies to VDDIODDR when considered as part of Group 1.

Table 54-43: Power-down Timing Specification

Symbol	Parameter	Conditions	Min	Max	Unit
t_{RSTPD}	Reset Delay at Power-Down	From NRST low to the first supply turn-off	0	—	ms

SAMA5D3 SERIES

54.12.2 Backup Power Supply POR Characteristics

Table 54-44: Backup Power Supply POR Characteristics

Symbol	Parameter	Conditions	Min	Typ	Max	Unit
V_{T+}	Threshold Voltage Rising	Minimum slope of +1.9 V/ms	1.50	1.54	1.60	V
V_{T-}	Threshold Voltage Falling	Minimum slope of +1.9 V/ms	1.39	1.46	1.53	V
t_{RST}	Reset Time	—	80	180	600	μ s
I_{DD}	Current Consumption	After t_{RST}	—	300	500	nA

54.13 SMC Timings

54.13.1 Timing Conditions

SMC timings are given in MAX corners.

Timings are given assuming a capacitance load on data, control and address pads as defined in [Table 54-45](#).

Table 54-45: Capacitance Load

Supply	Corner	
	Max	Min
3.3V	50 pF	50 pF
1.8V	30 pF	30 pF

In the tables that follow, t_{CPMCK} is the MCK period.

54.13.2 Timing Extraction

54.13.2.1 Read Timings

Table 54-46: SMC Read Signals - NRD Controlled (READ_MODE = 1)

Symbol	Parameter	VDDCORE in [1.08V, 1.32V]		VDDCORE in [1.2V, 1.32V]		Type	Unit
		1.8V	3.3V	1.8V	3.3V		
NO HOLD SETTINGS (NRD_HOLD = 0)							
SMC ₁	Data Setup before NRD High	10.6	8.4	8.6	6.7	Min	ns
SMC ₂	Data Hold after NRD High	0	0	0	0	Min	ns
HOLD SETTINGS (NRD_HOLD ≠ 0)							
SMC ₃	Data Setup before NRD High	10.4	8.1	8.4	6.5	Min	ns
SMC ₄	Data Hold after NRD High	0	0	0	0	Min	ns
HOLD or NO HOLD SETTINGS (NRD_HOLD ≠ 0, NRD_HOLD = 0)							
SMC ₅	NBS0/A0, NBS1, NBS2/A1, NBS3, A2–A25 Valid before NRD High	$(NRD_SETUP + NRD_PULSE) \times t_{CPMCK} - 3.0$	$(NRD_SETUP + NRD_PULSE) \times t_{CPMCK} - 2.9$	$(NRD_SETUP + NRD_PULSE) \times t_{CPMCK} - 2.4$	$(NRD_SETUP + NRD_PULSE) \times t_{CPMCK} - 2.2$	Min	ns
SMC ₆	NCS low before NRD High	$(NRD_SETUP + NRD_PULSE - NCS_RD_SETUP) \times t_{CPMCK} - 3.2$	$(NRD_SETUP + NRD_PULSE - NCS_RD_SETUP) \times t_{CPMCK} - 3.1$	$(NRD_SETUP + NRD_PULSE - NCS_RD_SETUP) \times t_{CPMCK} - 2.8$	$(NRD_SETUP + NRD_PULSE - NCS_RD_SETUP) \times t_{CPMCK} - 2.8$	Min	ns
SMC ₇	NRD Pulse Width	$NRD_PULSE \times t_{CPMCK} - 0.1$	$NRD_PULSE \times t_{CPMCK} - 0.5$	$NRD_PULSE \times t_{CPMCK}$	$NRD_PULSE \times t_{CPMCK} - 0.6$	Min	ns

Table 54-47: SMC Read Signals - NCS Controlled (READ_MODE = 0)

Symbol	Parameter	VDDCORE in [1.08V, 1.32V]		VDDCORE in [1.2V, 1.32V]		Type	Unit
		1.8V	3.3V	1.8V	3.3V		
NO HOLD SETTINGS (NCS_RD_HOLD = 0)							
SMC ₈	Data Setup before NCS High	11.1	8.9	9.0	7.0	Min	ns
SMC ₉	Data Hold after NCS High	0	0	0	0	Min	ns
HOLD SETTINGS (NCS_RD_HOLD ≠ 0)							
SMC ₁₀	Data Setup before NCS High	10.8	8.7	8.8	6.9	Min	ns

SAMA5D3 SERIES

Table 54-47: SMC Read Signals - NCS Controlled (READ_MODE = 0) (Continued)

Symbol	Parameter	VDDCORE in [1.08V, 1.32V]		VDDCORE in [1.2V, 1.32V]		Type	Unit
		1.8V	3.3V	1.8V	3.3V		
SMC ₁₁	Data Hold after NCS High	0	0	0	0	Min	ns
HOLD or NO HOLD SETTINGS (NCS_RD_HOLD ≠ 0, NCS_RD_HOLD = 0)							
SMC ₁₂	NBS0/A0, NBS1, NBS2/A1, NBS3, A2–A25 valid before NCS High	(NCS_RD_SETUP + NCS_RD_PULSE) × t _{CPMCK} - 2.6	(NCS_RD_SETUP + NCS_RD_PULSE) × t _{CPMCK} - 2.6	(NCS_RD_SETUP + NCS_RD_PULSE) × t _{CPMCK} - 2.2	(NCS_RD_SETUP + NCS_RD_PULSE) × t _{CPMCK} - 2.0	Min	ns
SMC ₁₃	NRD low before NCS High	(NCS_RD_SETUP + NCS_RD_PULSE - NRD_SETUP) × t _{CPMCK} - 2.9	(NCS_RD_SETUP + NCS_RD_PULSE - NRD_SETUP) × t _{CPMCK} - 2.8	(NCS_RD_SETUP + NCS_RD_PULSE - NRD_SETUP) × t _{CPMCK} - 2.6	(NCS_RD_SETUP + NCS_RD_PULSE - NRD_SETUP) × t _{CPMCK} - 2.6	Min	ns
SMC ₁₄	NCS Pulse Width	NCS_RD_PULSE length × t _{CPMCK} - 3.7	NCS_RD_PULSE length × t _{CPMCK} - 3.6	NCS_RD_PULSE length × t _{CPMCK} - 3.2	NCS_RD_PULSE length × t _{CPMCK} - 3.2	Min	ns

54.13.2.2 Write Timings

Table 54-48: SMC Write Signals - NWE Controlled (WRITE_MODE = 1)

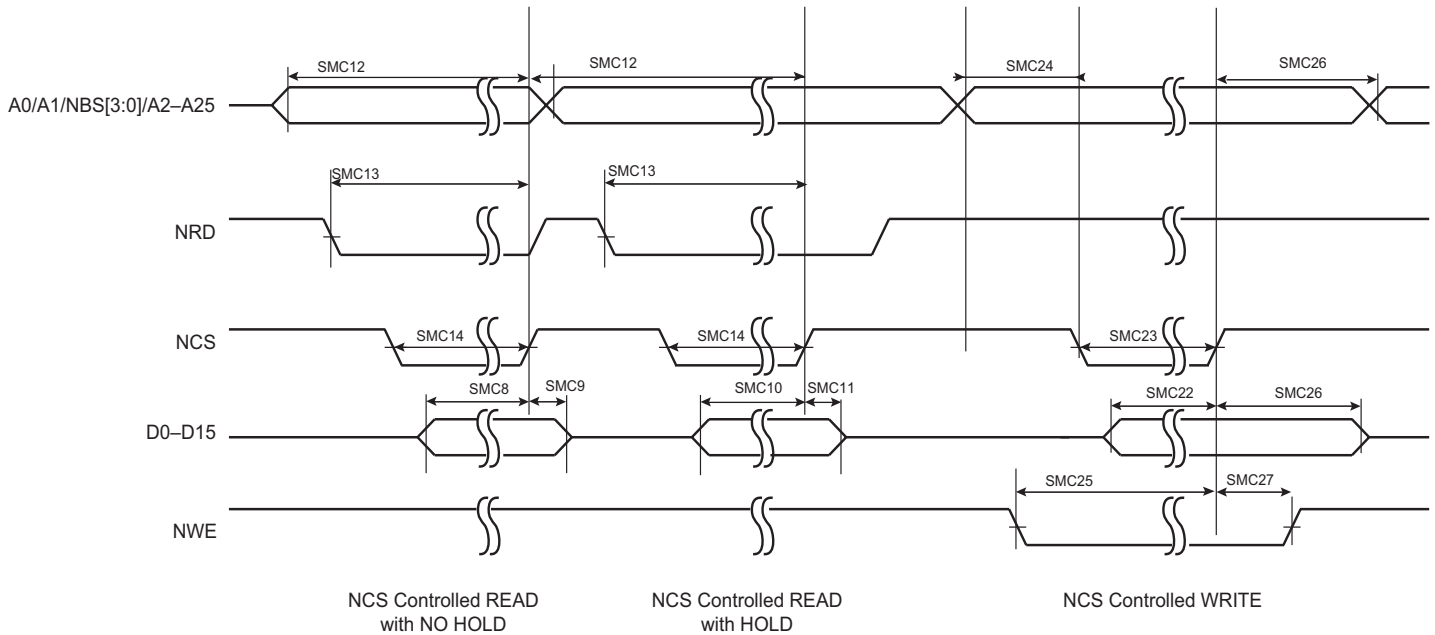
Symbol	Parameter	VDDCORE in [1.08V, 1.32V]		VDDCORE in [1.2V, 1.32V]		Type	Unit
		1.8V Supply	3.3V Supply	1.8V Supply	3.3V Supply		
HOLD or NO HOLD SETTINGS (NWE_HOLD ≠ 0, NWE_HOLD = 0)							
SMC ₁₅	Data Out Valid before NWE High	NWE_PULSE × t _{CPMCK} - 3.5	NWE_PULSE × t _{CPMCK} - 3.4	NWE_PULSE × t _{CPMCK} - 3.4	NWE_PULSE × t _{CPMCK} - 2.9	Min	ns
SMC ₁₆	NWE Pulse Width	NWE_PULSE × t _{CPMCK}	NWE_PULSE × t _{CPMCK} - 0.5	NWE_PULSE × t _{CPMCK}	NWE_PULSE × t _{CPMCK} - 0.6	Min	ns
SMC ₁₇	NBS0/A0 NBS1, NBS2/A1, NBS3, A2–A25 valid before NWE low	NWE_SETUP × t _{CPMCK} - 3.2	NWE_PULSE × t _{CPMCK} - 2.8	NWE_PULSE × t _{CPMCK} - 2.6	NWE_PULSE × t _{CPMCK} - 2.2	Min	ns
SMC ₁₈	NCS low before NWE high	(NWE_SETUP - NCS_WR_SETUP + NWE_PULSE) × t _{CPMCK} - 3.1	(NWE_SETUP - NCS_WR_SETUP + NWE_PULSE) × t _{CPMCK} - 3.0	(NWE_SETUP - NCS_WR_SETUP + NWE_PULSE) × t _{CPMCK} - 3.8	(NWE_SETUP - NCS_WR_SETUP + NWE_PULSE) × t _{CPMCK} - 2.7	Min	ns
HOLD SETTINGS (NWE_HOLD ≠ 0)							
SMC ₁₉	NWE high to Data OUT, NBS0/A0 NBS1, NBS2/A1, NBS3, A2–A25 change	NWE_HOLD × t _{CPMCK} - 3.3	NWE_HOLD × t _{CPMCK} - 2.5	NWE_HOLD × t _{CPMCK} - 3.0	NWE_HOLD × t _{CPMCK} - 2.0	Min	ns
SMC ₂₀	NWE high to NCS inactive ⁽¹⁾	(NWE_HOLD - NCS_WR_HOLD) × t _{CPMCK} - 2.6	(NWE_HOLD - NCS_WR_HOLD) × t _{CPMCK} - 2.4	(NWE_HOLD - NCS_WR_HOLD) × t _{CPMCK} - 2.4	(NWE_HOLD - NCS_WR_HOLD) × t _{CPMCK} - 1.9	Min	ns
NO HOLD SETTINGS (NWE_HOLD = 0)							
SMC ₂₁	NWE high to Data OUT, NBS0/A0 NBS1, NBS2/A1, NBS3, A2–A25, NCS change	0.8	0.3	0.8	0.3	Min	ns

Note 1: hold length = total cycle duration - setup duration - pulse duration. “hold length” means “NCS_WR_HOLD length” or “NWE_HOLD length”.

Table 54-49: SMC Write NCS Controlled (WRITE_MODE = 0)

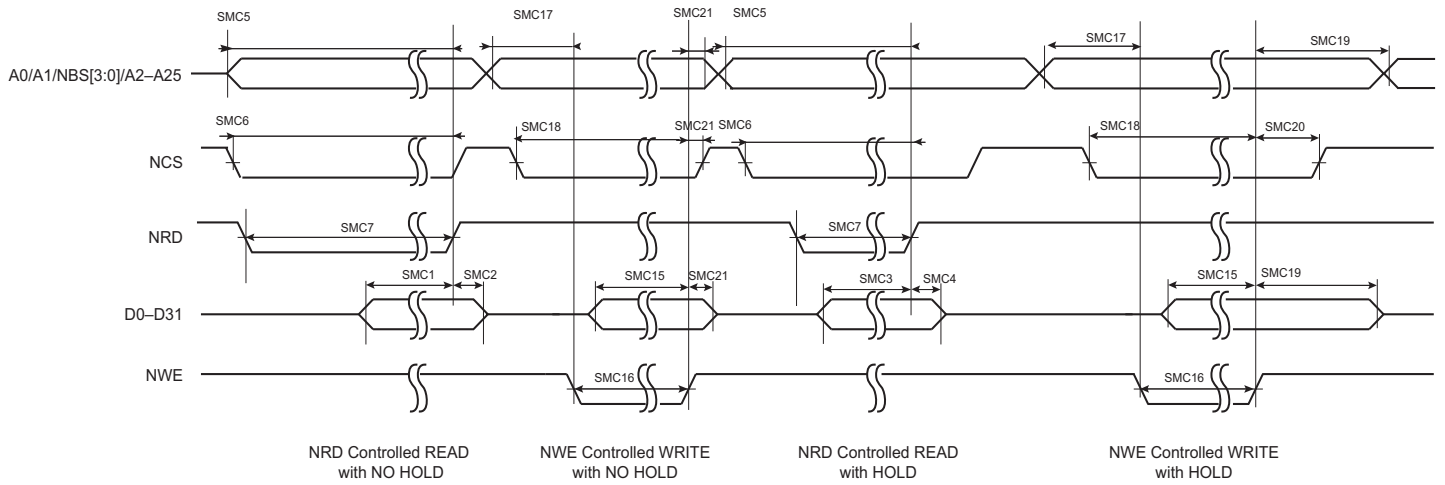
Symbol	Parameter	VDDCORE in [1.08V, 1.32V]		VDDCORE in [1.2V, 1.32V]		Type	Unit
		1.8V Supply	3.3V Supply	1.8V Supply	3.3V Supply		
SMC ₂₂	Data Out Valid before NCS High	NCS_WR_PULSE × t _{CPMCK} - 3.4	NCS_WR_PULSE × t _{CPMCK} - 3.3	NCS_WR_PULSE × t _{CPMCK} - 3.0	NCS_WR_PULSE × t _{CPMCK} - 2.9	Min	ns
SMC ₂₃	NCS Pulse Width	NCS_WR_PULSE × t _{CPMCK} - 3.7	NCS_WR_PULSE × t _{CPMCK} - 3.6	NCS_WR_PULSE × t _{CPMCK} - 3.2	NCS_WR_PULSE × t _{CPMCK} - 3.2	Min	ns
SMC ₂₄	NBS0/A0 NBS1, NBS2/A1, NBS3, A2–A25 valid before NCS low	NCS_WR_SETUP × t _{CPMCK} - 3.1	NCS_WR_SETUP × t _{CPMCK} - 2.8	NCS_WR_SETUP × t _{CPMCK} - 2.6	NCS_WR_SETUP × t _{CPMCK} - 2.2	Min	ns
SMC ₂₅	NWE low before NCS high	(NCS_WR_SETUP - NWE_SETUP + NCS pulse) × t _{CPMCK} - 1.8	(NCS_WR_SETUP - NWE_SETUP + NCS pulse) × t _{CPMCK} - 2.0	(NCS_WR_SETUP - NWE_SETUP + NCS pulse) × t _{CPMCK} - 1.4	(NCS_WR_SETUP - NWE_SETUP + NCS pulse) × t _{CPMCK} - 1.6	Min	ns
SMC ₂₆	NCS High to Data Out, NBS0/A0, NBS1, NBS2/A1, NBS3, A2–A25, change	NCS_WR_HOLD × t _{CPMCK} - 3.7	NCS_WR_HOLD × t _{CPMCK} - 2.7	NCS_WR_HOLD × t _{CPMCK} - 3.4	NCS_WR_HOLD × t _{CPMCK} - 2.4	Min	ns
SMC ₂₇	NCS high to NWE inactive	(NCS_WR_HOLD - NWE_HOLD) × t _{CPMCK} - 3.4	(NCS_WR_HOLD - NWE_HOLD) × t _{CPMCK} - 2.7	(NCS_WR_HOLD - NWE_HOLD) × t _{CPMCK} - 3.0	(NCS_WR_HOLD - NWE_HOLD) × t _{CPMCK} - 2.3	Min	ns

Figure 54-9: SMC Timings - NCS Controlled Read and Write



SAMA5D3 SERIES

Figure 54-10: SMC Timings - NRD Controlled Read and NWE Controlled Write



54.13.2.3 FPGA Timings

SMC and PCK2 can be used to interface to an FPGA. PCK2 is to be programmed to output MCK. READ_MODE and WRITE_MODE are to be configured to 0.

Figure 54-11: FPGA Timings

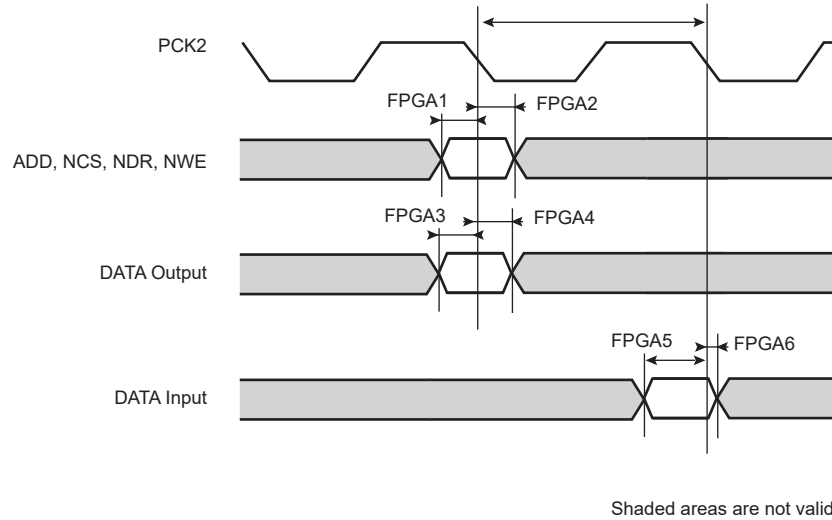


Table 54-50: FPGA Timings versus PCK2

Symbol	Parameter	VDDIOM Supply		VDDCORE Supply		VDDCORE Supply		Unit
		1.65–1.95V	3.0–3.6V	3.0–3.6V	1.65–1.95V	3.0–3.6V	3.0–3.6V	
		1.08–1.32V	1.08–1.32V	1.2–1.32V	1.08–1.32V	1.08–1.32V	1.2–1.32V	
		Min			Max			
FPGA ₁	Address, NCS, NRD, NWE Setup before PCK2 falling edge	1.78	2.07	1.78	—	—	—	ns
FPGA ₂	Address, NCS, NRD, NWE Hold after PCK2 falling edge	0.29	0.35	1.22	—	—	—	ns
FPGA ₃	Data Out Setup before PCK2 falling edge	1.46	1.77	1.59	—	—	—	ns
FPGA ₄	Data Out Hold after PCK2 falling edge	0	0.27	1.10	—	—	—	ns
FPGA ₅	Data In Setup before PCK2 falling edge	—	—	—	14.15	12.08	10.39	ns
FPGA ₆	Data In Hold after PCK2 falling edge	—	—	—	0	0	0	ns

SAMA5D3 SERIES

54.14 SPI Timings

54.14.1 Maximum SPI Frequency

The following formulas give maximum SPI frequency in Master read and write modes and in Slave read and write modes.

- Master Write Mode

The SPI is only sending data to a slave device such as an LCD, for example. The limit is given by SPI₂ (or SPI₅) timing. Since it gives a maximum frequency above the maximum pad speed, the maximum SPI frequency is the one from the pad.

- Master Read Mode

$$f_{\text{SPCK}}^{\text{Max}} = \frac{1}{\text{SPI}_0(\text{or SPI}_3) + t_{\text{valid}}}$$

t_{valid} is the slave time response to output data after deleting an SPCK edge. For a non-volatile memory with t_{valid} (or t_{v}) = 12 ns Max, $f_{\text{SPCK}}^{\text{Max}} = 48 \text{ MHz @ } V_{\text{DDIO}} = 3.3\text{V}$.

- Slave Read Mode

In slave mode, SPCK is the input clock for the SPI. The max SPCK frequency is given by setup and hold timings SPI₇/SPI₈ (or SPI₁₀/SPI₁₁). Since this gives a frequency well above the pad limit, the limit in slave read mode is given by SPCK pad.

- Slave Write Mode

$$f_{\text{SPCK}}^{\text{Max}} = \frac{1}{\text{SPI}_6(\text{or SPI}_9) + t_{\text{su}}}$$

t_{su} is the setup time from the master before sampling data (12 ns).

This gives $f_{\text{SPCK}}^{\text{Max}} = 48 \text{ MHz @ } V_{\text{DDIO}} = 3.3\text{V}$.

54.14.2 SPI Timing Conditions

Timings are given assuming a capacitance load on MISO, SPCK and MOSI as defined in [Table 54-51](#).

Table 54-51: Capacitance Load for MISO, SPCK and MOSI (Product Dependent)

Supply	Corner	
	Max	Min
3.3V	40 pF	40 pF
1.8V	20 pF	40 pF

54.14.3 Timing Extraction

In [Figure 54-13 "SPI Master Mode 1 and 2"](#) and [Figure 54-14 "SPI Master Mode 0 and 3"](#), the MOSI line shifting edge is represented with a hold time = 0. However, it is important to note that for this device, the MISO line is sampled prior to the MOSI line shifting edge. As shown in [Figure 54-12 "MISO Capture in Master Mode"](#), the device sampling point extends the propagation delay (t_p) for slave and routing delays to more than half the SPI clock period, whereas the common sampling point allows only less than half the SPI clock period.

As an example, an SPI Slave working in Mode 0 is safely driven if the SPI Master is configured in Mode 0.

Figure 54-12: MISO Capture in Master Mode

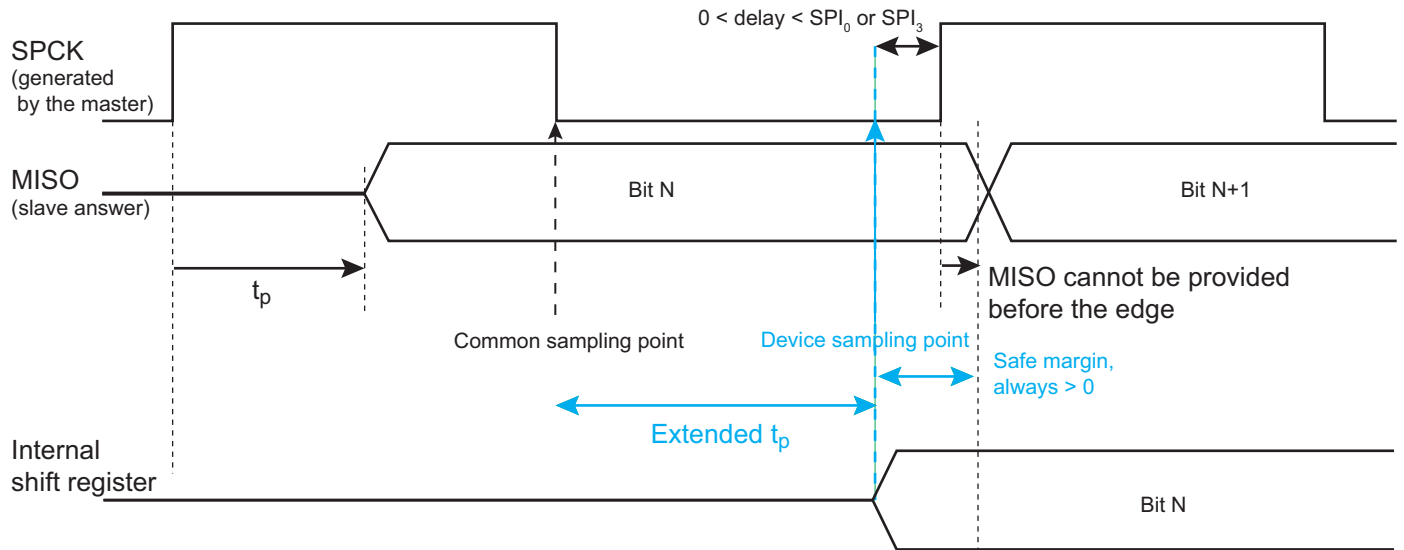


Figure 54-13: SPI Master Mode 1 and 2

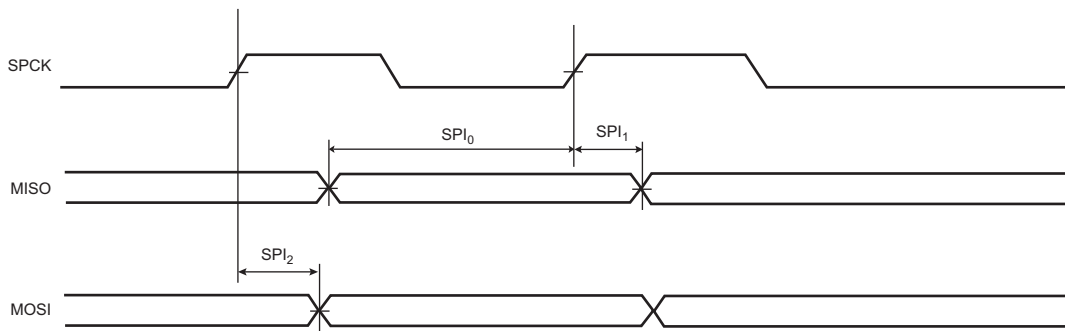
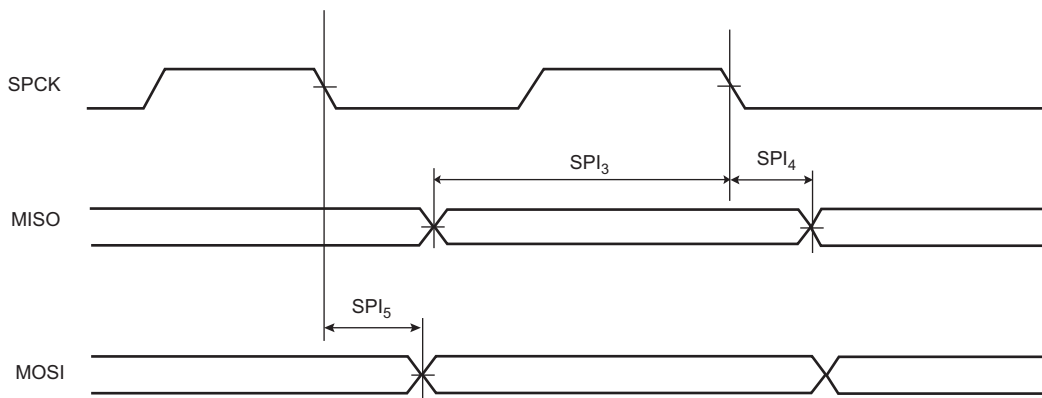


Figure 54-14: SPI Master Mode 0 and 3



SAMA5D3 SERIES

Figure 54-15: SPI Slave Mode 0 and 3

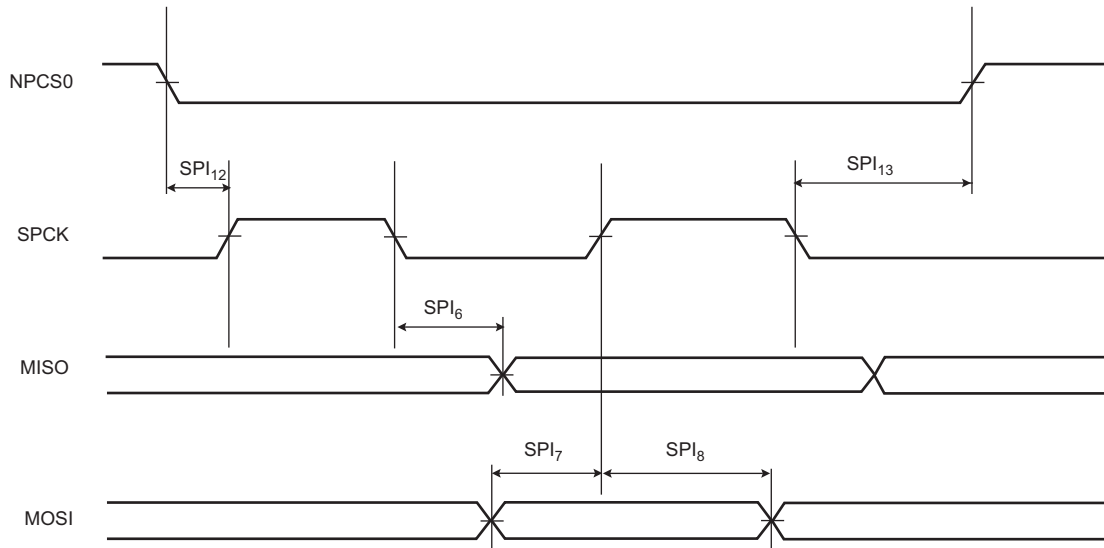


Figure 54-16: SPI Slave Mode 1 and 2

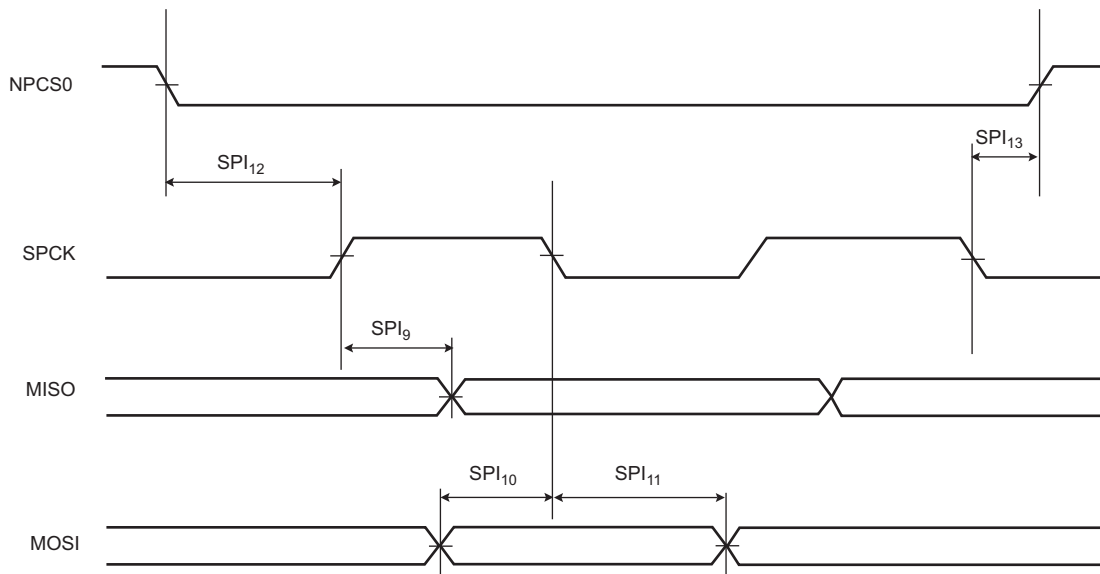


Figure 54-17: SPI Slave Mode - NPCS Timings

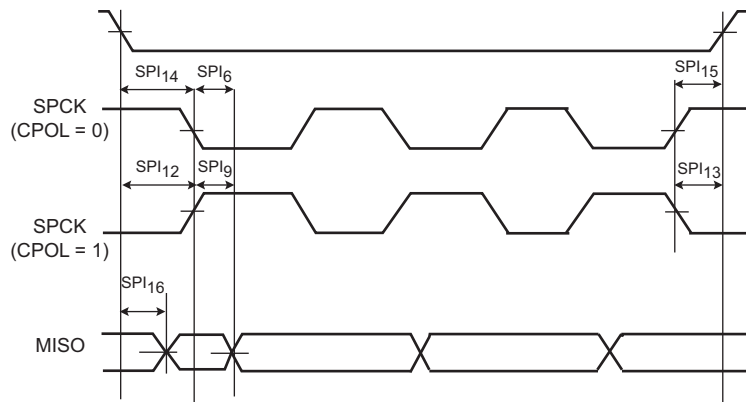


Table 54-52: SPI Timings with 3.3V Peripheral Supply and VDDCORE in [1.08V, 1.32V] Range

Symbol	Parameter	Conditions	Min	Max	Unit
Master Mode					
SPI ₀	MISO Setup time before SPCK rises	—	8.8	—	ns
SPI ₁	MISO Hold time after SPCK rises	—	0	—	ns
SPI ₂	SPCK rising to MOSI	—	0 ⁽¹⁾	3.9 ⁽¹⁾	ns
SPI ₃	MISO Setup time before SPCK falls	—	9.1	—	ns
SPI ₄	MISO Hold time after SPCK falls	—	0	—	ns
SPI ₅	SPCK falling to MOSI	—	0 ⁽¹⁾	3.9 ⁽¹⁾	ns
Slave Mode					
SPI ₆	SPCK falling to MISO	—	2.5 ⁽¹⁾	9.4 ⁽¹⁾	ns
SPI ₇	MOSI Setup time before SPCK rises	—	2.1	—	ns
SPI ₈	MOSI Hold time after SPCK rises	—	0.4	—	ns
SPI ₉	SPCK rising to MISO	—	2.4 ⁽¹⁾	9.1 ⁽¹⁾	ns
SPI ₁₀	MOSI Setup time before SPCK falls	—	1.8	—	ns
SPI ₁₁	MOSI Hold time after SPCK falls	—	0.9	—	ns
SPI ₁₂	NPCS0 setup to SPCK rising	—	3.6	—	ns
SPI ₁₃	NPCS0 hold after SPCK falling	—	1.3	—	ns
SPI ₁₄	NPCS0 setup to SPCK falling	—	3.3	—	ns
SPI ₁₅	NPCS0 hold after SPCK rising	—	0.7	—	ns
SPI ₁₆	NPCS0 falling to MISO valid	—	—	8.8	ns

Note 1: For output signals, min and max access time must be extracted. The min access time is the time between the SPCK rising or falling edge and the signal change. The max access timing is the time between the SPCK rising or falling edge and the signal stabilizes. Figure 54-17 illustrates min and max accesses for SPI₂. The same applies for SPI₅, SPI₆, and SPI₉.

SAMA5D3 SERIES

Table 54-53: SPI Timings with 1.8V Peripheral Supply and VDDCORE in [1.08V, 1.32V] Range

Symbol	Parameter	Conditions	Min	Max	Unit
Master Mode					
SPI ₀	MISO Setup time before SPCK rises	—	10.9	—	ns
SPI ₁	MISO Hold time after SPCK rises	—	0	—	ns
SPI ₂	SPCK rising to MOSI	—	0 ⁽¹⁾	3.7 ⁽¹⁾	ns
SPI ₃	MISO Setup time before SPCK falls	—	10.9	—	ns
SPI ₄	MISO Hold time after SPCK falls	—	0	—	ns
SPI ₅	SPCK falling to MOSI	—	0 ⁽¹⁾	3.5 ⁽¹⁾	ns
Slave Mode					
SPI ₆	SPCK falling to MISO	—	2.9 ⁽¹⁾	11.1 ⁽¹⁾	ns
SPI ₇	MOSI Setup time before SPCK rises	—	2.4	—	ns
SPI ₈	MOSI Hold time after SPCK rises	—	0.6	—	ns
SPI ₉	SPCK rising to MISO	—	2.8 ⁽¹⁾	10.9 ⁽¹⁾	ns
SPI ₁₀	MOSI Setup time before SPCK falls	—	1.9	—	ns
SPI ₁₁	MOSI Hold time after SPCK falls	—	1.1	—	ns
SPI ₁₂	NPCS0 setup to SPCK rising	—	3.8	—	ns
SPI ₁₃	NPCS0 hold after SPCK falling	—	1.4	—	ns
SPI ₁₄	NPCS0 setup to SPCK falling	—	3.4	—	ns
SPI ₁₅	NPCS0 hold after SPCK rising	—	0.8	—	ns
SPI ₁₆	NPCS0 falling to MISO valid	—	—	10.6	ns

Note 1: For output signals, min and max access time must be extracted. The min access time is the time between the SPCK rising or falling edge and the signal change. The max access timing is the time between the SPCK rising or falling edge and the signal stabilizes. [Figure 54-17](#) illustrates min and max accesses for SPI₂. The same applies for SPI₅, SPI₆, and SPI₉.

Table 54-54: SPI Timings with 3.3V Peripheral Supply and VDDCORE in [1.2V, 1.32V] Range

Symbol	Parameter	Conditions	Min	Max	Unit
Master Mode					
SPI ₀	MISO Setup time before SPCK rises	—	7.1	—	ns
SPI ₁	MISO Hold time after SPCK rises	—	0	—	ns
SPI ₂	SPCK rising to MOSI	—	0 ⁽¹⁾	3.3 ⁽¹⁾	ns
SPI ₃	MISO Setup time before SPCK falls	—	7.4	—	ns
SPI ₄	MISO Hold time after SPCK falls	—	0	—	ns
SPI ₅	SPCK falling to MOSI	—	0 ⁽¹⁾	3.3 ⁽¹⁾	ns
Slave Mode					
SPI ₆	SPCK falling to MISO	—	2.5 ⁽¹⁾	7.6 ⁽¹⁾	ns
SPI ₇	MOSI Setup time before SPCK rises	—	1.9	—	ns
SPI ₈	MOSI Hold time after SPCK rises	—	0.4	—	ns
SPI ₉	SPCK rising to MISO	—	2.4 ⁽¹⁾	7.4 ⁽¹⁾	ns
SPI ₁₀	MOSI Setup time before SPCK falls	—	1.5	—	ns
SPI ₁₁	MOSI Hold time after SPCK falls	—	0.9	—	ns
SPI ₁₂	NPCS0 setup to SPCK rising	—	2.6	—	ns
SPI ₁₃	NPCS0 hold after SPCK falling	—	1.2	—	ns
SPI ₁₄	NPCS0 setup to SPCK falling	—	2.2	—	ns
SPI ₁₅	NPCS0 hold after SPCK rising	—	0.6	—	ns
SPI ₁₆	NPCS0 falling to MISO valid	—	—	7.7	ns

Note 1: For output signals, min and max access time must be extracted. The min access time is the time between the SPCK rising or falling edge and the signal change. The max access timing is the time between the SPCK rising or falling edge and the signal stabilizes. [Figure 54-17](#) illustrates min and max accesses for SPI₂. The same applies for SPI₅, SPI₆, and SPI₉.

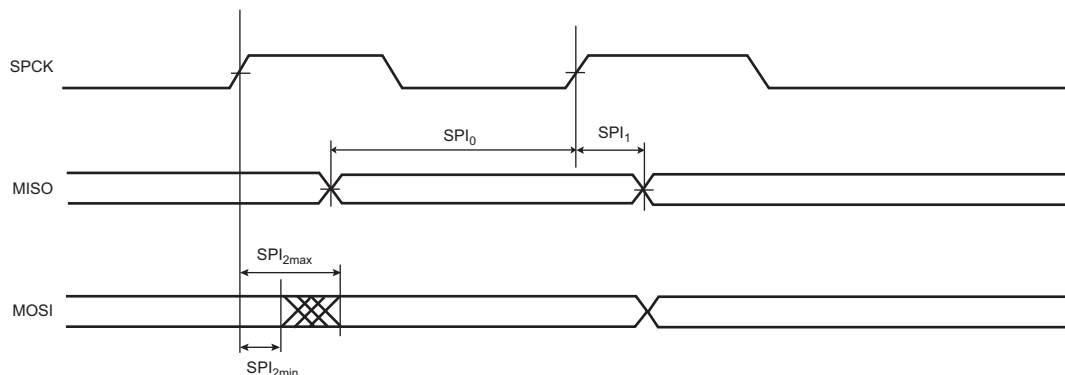
SAMA5D3 SERIES

Table 54-55: SPI Timings with 1.8V Peripheral Supply and VDDCORE in [1.2V, 1.32V] Range

Symbol	Parameter	Conditions	Min	Max	Unit
Master Mode					
SPI ₀	MISO Setup time before SPCK rises	—	9.1	—	ns
SPI ₁	MISO Hold time after SPCK rises	—	0	—	ns
SPI ₂	SPCK rising to MOSI	—	0 ⁽¹⁾	3.3 ⁽¹⁾	ns
SPI ₃	MISO Setup time before SPCK falls	—	9.1	—	ns
SPI ₄	MISO Hold time after SPCK falls	—	0	—	ns
SPI ₅	SPCK falling to MOSI	—	0 ⁽¹⁾	2.9 ⁽¹⁾	ns
Slave Mode					
SPI ₆	SPCK falling to MISO	—	2.9 ⁽¹⁾	9.3 ⁽¹⁾	ns
SPI ₇	MOSI Setup time before SPCK rises	—	2.0	—	ns
SPI ₈	MOSI Hold time after SPCK rises	—	0.5	—	ns
SPI ₉	SPCK rising to MISO	—	2.8 ⁽¹⁾	9.0 ⁽¹⁾	ns
SPI ₁₀	MOSI Setup time before SPCK falls	—	1.6	—	ns
SPI ₁₁	MOSI Hold time after SPCK falls	—	1.1	—	ns
SPI ₁₂	NPCS0 setup to SPCK rising	—	2.8	—	ns
SPI ₁₃	NPCS0 hold after SPCK falling	—	1.2	—	ns
SPI ₁₄	NPCS0 setup to SPCK falling	—	2.3	—	ns
SPI ₁₅	NPCS0 hold after SPCK rising	—	0.7	—	ns
SPI ₁₆	NPCS0 falling to MISO valid	—	—	9.5	ns

Note 1: For output signals, min and max access time must be extracted. The min access time is the time between the SPCK rising or falling edge and the signal change. The max access timing is the time between the SPCK rising or falling edge and the signal stabilizes. Figure 54-17 illustrates min and max accesses for SPI₂. The same applies for SPI₅, SPI₆, and SPI₉.

Figure 54-18: Min and Max Access Time for SPI Output Signal



54.15 MPDDRC Timings

54.15.1 Board Design Constraints

As the SAMA5D3 series embeds impedance calibrated pads, there are no capacitive constraints on DDR signals. However, a board must be designed and equipped in order to respect DQS setup times, including propagation time and intrinsic delay in SDRAM device. In all cases, line length to memory device must not exceed 5 cm.

54.15.2 DDR2-SDRAM

Table 54-56: System Clock Waveform Parameters

Symbol	Parameter	Conditions	Min	Max	Unit
t_{DDRCK}	DDRCK Cycle Time	VDDCORE[1.08V, 1.32V], $T_A = 85^\circ\text{C}$	7.5	8.0	ns
		VDDCORE[1.2V, 1.32V], VDDIODDR[1.75V, 1.9V], $T_A = 85^\circ\text{C}$	6.0	8.0	ns
t_{SDQS}	DQS Setup Time	VDDCORE[1.08V, 1.32V], $T_A = 85^\circ\text{C}$	—	0.6	ns
		VDDCORE[1.2V, 1.32V], VDDIODDR[1.75V, 1.9V], $T_A = 85^\circ\text{C}$	—	0.7	ns

54.15.3 LPDDR1-SDRAM

Table 54-57: System Clock Waveform Parameters

Symbol	Parameter	Conditions	Min	Max	Unit
t_{DDRCK}	DDRCK Cycle Time	VDDCORE[1.08V, 1.32V], $T_A = 85^\circ\text{C}$	7.5	—	ns
t_{DDRCK}	DDRCK Cycle Time	VDDCORE[1.2V, 1.32V], VDDIODDR[1.75V, 1.9V], $T_A = 85^\circ\text{C}$	6.4	—	ns
t_{SDQS}	DQS Setup Time	VDDCORE[1.08V, 1.32V], $T_A = 85^\circ\text{C}$	—	0.6	ns

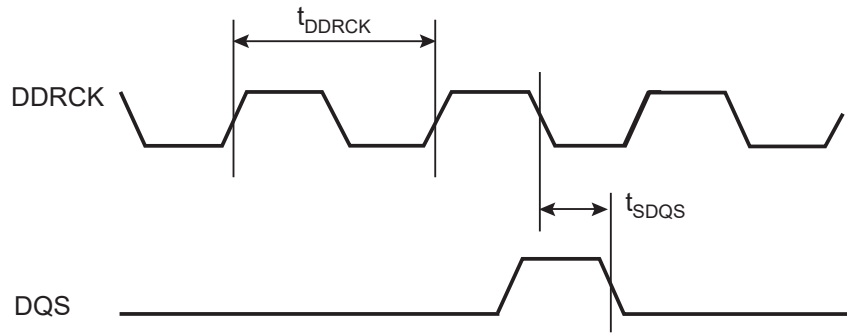
54.15.4 LPDDR2-SDRAM

Table 54-58: System Clock Waveform Parameters

Symbol	Parameter	Conditions	Min	Max	Unit
t_{DDRCK}	DDRCK Cycle Time	VDDCORE[1.08V, 1.32V], $T_A = 85^\circ\text{C}$	7.5	—	ns
t_{DDRCK}	DDRCK Cycle Time	VDDCORE[1.08V, 1.32V], VDDIODDR[1.18V, 1.3V], $T_A = 85^\circ\text{C}$	6.9	—	ns
t_{SDQS}	DQS Setup Time	VDDCORE[1.08V, 1.32V], $T_A = 85^\circ\text{C}$	—	0.6	ns

SAMA5D3 SERIES

Figure 54-19: DQS Timings



54.16 SSC Timings

54.16.1 SSC Timing Conditions

Timings are given assuming a capacitance load as defined in [Table 54-59](#).

Table 54-59: Capacitance Load

Supply	Corner	
	Max	Min
3.3V	30 pF	30 pF
1.8V	20 pF	20 pF

54.16.2 Timing Extraction

Figure 54-20: SSC Transmitter, TK and TF as Output

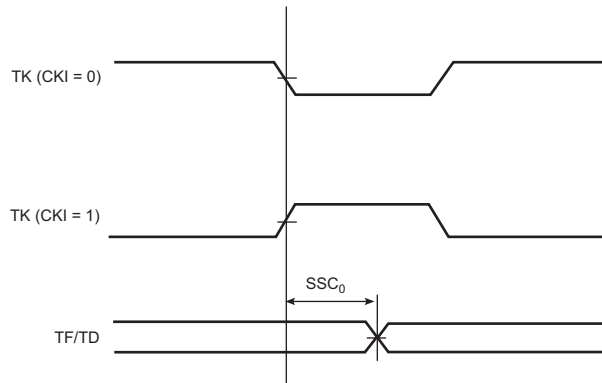


Figure 54-21: SSC Transmitter, TK as Input and TF as Output

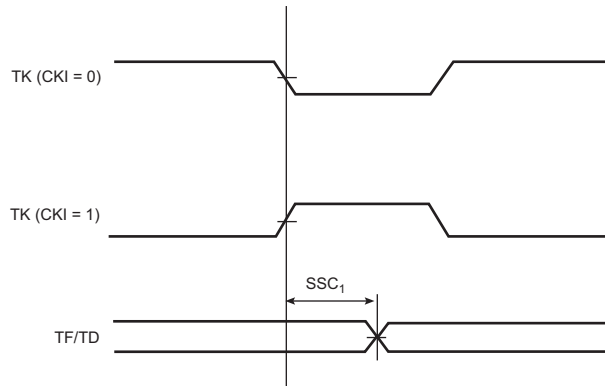


Figure 54-22: SSC Transmitter, TK as Output and TF as Input

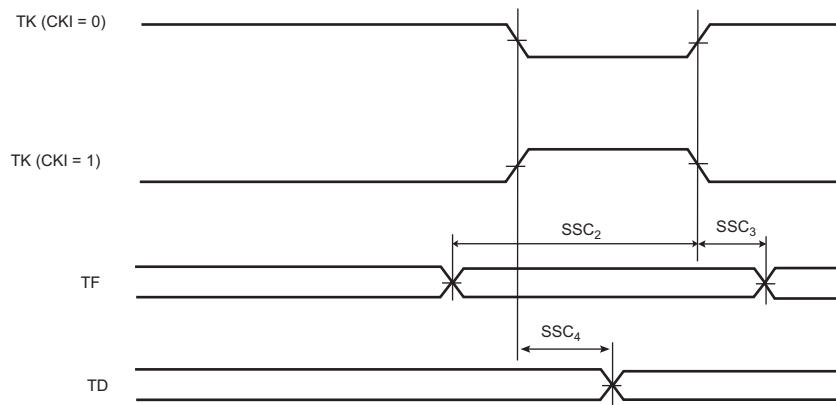
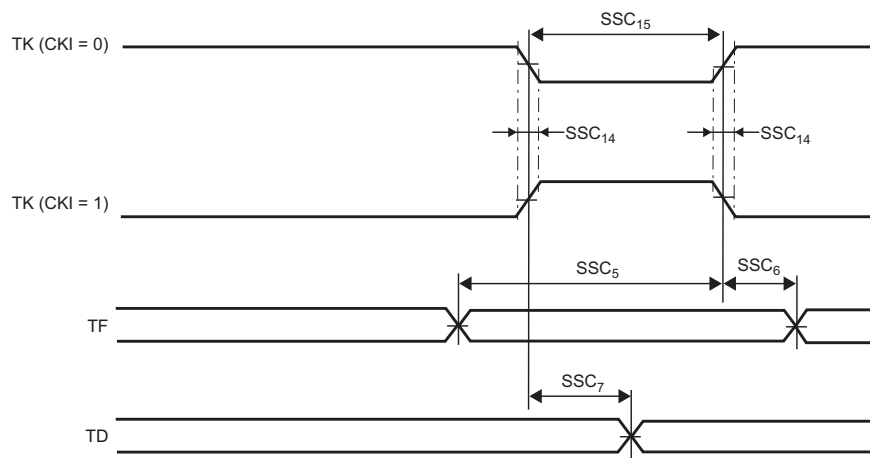


Figure 54-23: SSC Transmitter, TK and TF in Input



SAMA5D3 SERIES

Figure 54-24: SSC Receiver RK and RF as Input

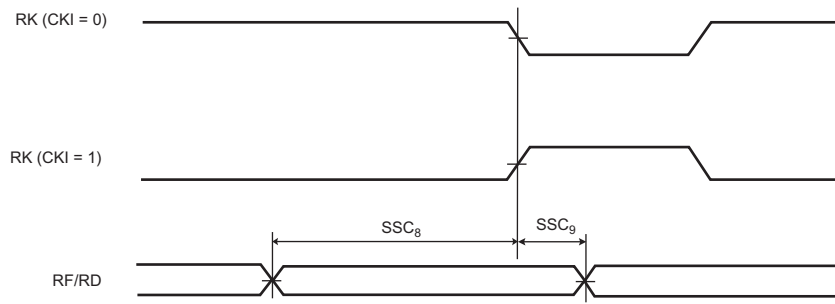


Figure 54-25: SSC Receiver, RK as Input and RF as Output

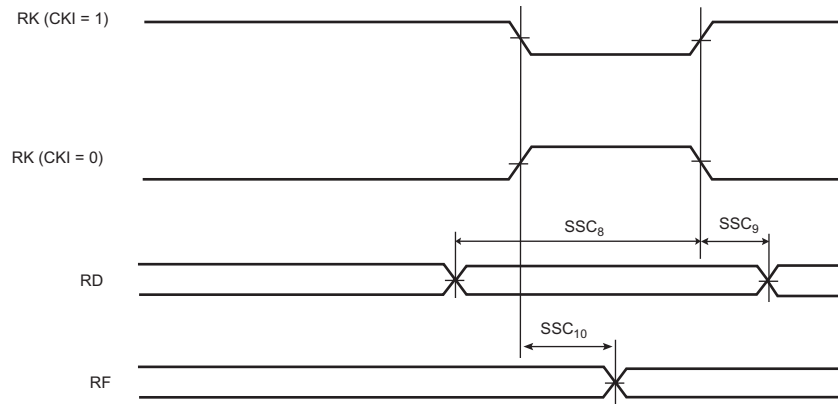


Figure 54-26: SSC Receiver, RK and RF as Output

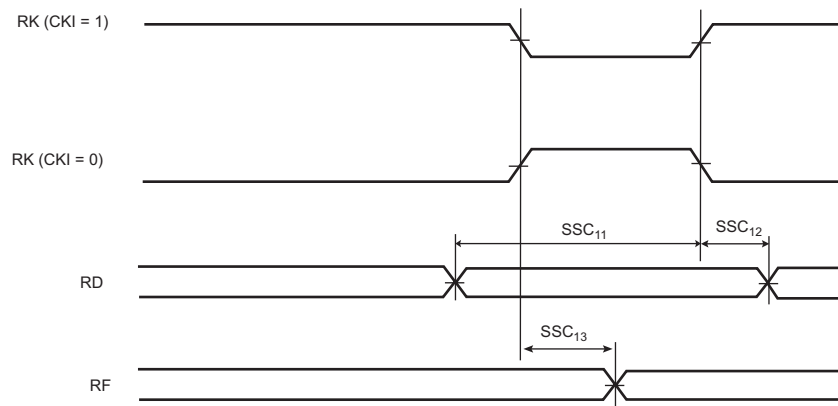
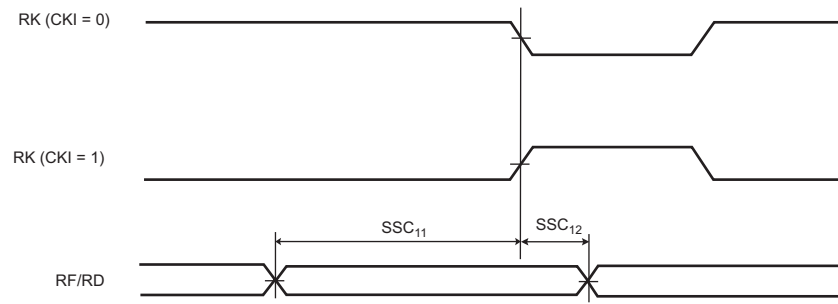


Figure 54-27: SSC Receiver, RK as Output and RF as Input



SAMA5D3 SERIES

Table 54-60: SSC Timings with 3.3V Peripheral Supply

Symbol	Parameter	Conditions	Min	Max	Unit
Transmitter					
SSC ₀	TK edge to TF/TD (TK output, TF output)	—	1.2 ⁽¹⁾	3.8 ⁽¹⁾	ns
SSC ₁	TK edge to TF/TD (TK input, TF output)	—	2.3 ⁽¹⁾	10.6 ⁽¹⁾	ns
SSC ₂	TF setup time before TK edge (TK output)	—	7.7	—	ns
SSC ₃	TF hold time after TK edge (TK output)	—	7.3	—	ns
SSC ₄	TK edge to TF/TD (TK output, TF input)	—	1.2 ⁽¹⁾	2.1 ⁽¹⁾	ns
		STTDLY = 0, START = 4, 5 or 7	$1.2 + (2 \times t_{CPMCK})^{(1)}$	$2.1 + (2 \times t_{CPMCK})^{(1)}$	
SSC ₅	TF setup time before TK edge (TK input)	—	0	—	ns
SSC ₆	TF hold time after TK edge (TK input)	—	t_{CPMCK}	—	ns
SSC ₇	TK edge to TF/TD (TK input, TF input)	—	2.4 ⁽¹⁾	8.8 ⁽¹⁾	ns
		STTDLY = 0, START = 4, 5 or 7	$2.4 + (3 \times t_{CPMCK})^{(1)}$	$8.8 + (3 \times t_{CPMCK})^{(1)}$	
Receiver					
SSC ₈	RF/RD setup time before RK edge (RK input)	—	0	—	ns
SSC ₉	RF/RD hold time after RK edge (RK input)	—	t_{CPMCK}	—	ns
SSC ₁₀	RK edge to RF (RK input)	—	2.5 ⁽¹⁾	8.8 ⁽¹⁾	ns
SSC ₁₁	RF/RD setup time before RK edge (RK output)	—	$7.6 - t_{CPMCK}$	—	ns
SSC ₁₂	RF/RD hold time after RK edge (RK output)	—	$t_{CPMCK} - 2.2$	—	ns
SSC ₁₃	RK edge to RF (RK output)	—	0.7 ⁽¹⁾	2.2 ⁽¹⁾	ns
SSC ₁₄ ⁽²⁾	TK rise time or fall time	10 to 90%	—	10	ns
SSC ₁₅ ⁽²⁾	TK low or high time	$V_{TK} > V_{IH}$ or $V_{TK} < V_{IL}$	$3.4 + (3 \times t_{CPMCK})$	—	ns

Note 1: For output signals (TF, TD, RF), min and max access times are defined. The min access time is the time between the TK (or RK) edge and the signal change. The max access timing is the time between the TK edge and the signal stabilization. [Figure 54-28](#) illustrates min and max accesses for SSC₀. The same applies for SSC₁, SSC₄, and SSC₇, SSC₁₀ and SSC₁₃.

2: Timings SSC₁₄ and SSC₁₅ also apply when RK is used instead of TK (SSC_TCMR.CKS = RK).

Table 54-61: SSC Timings with 1.8V Peripheral Supply

Symbol	Parameter	Conditions	Min	Max	Unit
Transmitter					
SSC ₀	TK edge to TF/TD (TK output, TF output)	—	1.2 ⁽¹⁾	3.8 ⁽¹⁾	ns
SSC ₁	TK edge to TF/TD (TK input, TF output)	—	2.3 ⁽¹⁾	10.6 ⁽¹⁾	ns
SSC ₂	TF setup time before TK edge (TK output)	—	7.7	—	ns
SSC ₃	TF hold time after TK edge (TK output)	—	7.3	—	ns
SSC ₄	TK edge to TF/TD (TK output, TF input)	—	1.2 ⁽¹⁾	2.1 ⁽¹⁾	ns
		STTDLY = 0, START = 4, 5 or 7	$1.2 + (2 \times t_{CPMCK})^{(1)}$	$2.1 + (2 \times t_{CPMCK})^{(1)}$	

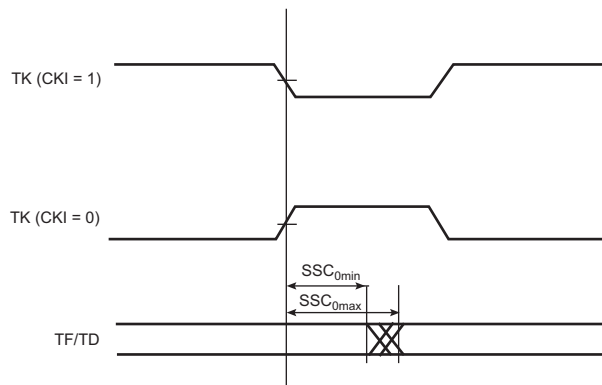
Table 54-61: SSC Timings with 1.8V Peripheral Supply (Continued)

Symbol	Parameter	Conditions	Min	Max	Unit
SSC ₅	TF setup time before TK edge (TK input)	—	0	—	ns
SSC ₆	TF hold time after TK edge (TK input)	—	t_{CPMCK}	—	ns
SSC ₇	TK edge to TF/TD (TK input, TF input)	—	2.4 ⁽¹⁾	8.8 ⁽¹⁾	ns
		STTDLY = 0, START = 4, 5 or 7	$2.4 + (3 \times t_{CPMCK})^{(1)}$	$8.8 + (3 \times t_{CPMCK})^{(1)}$	
Receiver					
SSC ₈	RF/RD setup time before RK edge (RK input)	—	0	—	ns
SSC ₉	RF/RD hold time after RK edge (RK input)	—	t_{CPMCK}	—	ns
SSC ₁₀	RK edge to RF (RK input)	—	2.5 ⁽¹⁾	8.8 ⁽¹⁾	ns
SSC ₁₁	RF/RD setup time before RK edge (RK output)	—	$7.6 - t_{CPMCK}$	—	ns
SSC ₁₂	RF/RD hold time after RK edge (RK output)	—	$t_{CPMCK} - 2.2$	—	ns
SSC ₁₃	RK edge to RF (RK output)	—	0.7 ⁽¹⁾	2.2 ⁽¹⁾	ns
SSC ₁₄ ⁽²⁾	TK rise time or fall time	10 to 90%	—	10	ns
SSC ₁₅ ⁽²⁾	TK low or high time	$V_{TK} > V_{IH}$ or $V_{TK} < V_{IL}$	$3.6 + (3 \times t_{CPMCK})$	—	ns

Note 1: For output signals (TF, TD, RF), min and max access times are defined. The min access time is the time between the TK (or RK) edge and the signal change. The max access timing is the time between the TK edge and the signal stabilization. [Figure 54-28](#) illustrates min and max accesses for SSC₀. The same applies for SSC₁, SSC₄, and SSC₇, SSC₁₀ and SSC₁₃.

2: Timings SSC₁₄ and SSC₁₅ also apply when RK is used instead of TK (SSC_TCMR.CKS = RK).

Figure 54-28: Min and Max Access Time of Output Signals



SAMA5D3 SERIES

54.17 ISI Timings

54.17.1 ISI Timing Conditions

Timings are given assuming capacitance loads as defined in [Table 54-62](#).

Table 54-62: Capacitance Load

Supply	Corner	
	Max	Min
3.3V	30 pF	30 pF
1.8V	20 pF	20 pF

54.17.2 Timing Extraction

Figure 54-29: ISI Timing Diagram

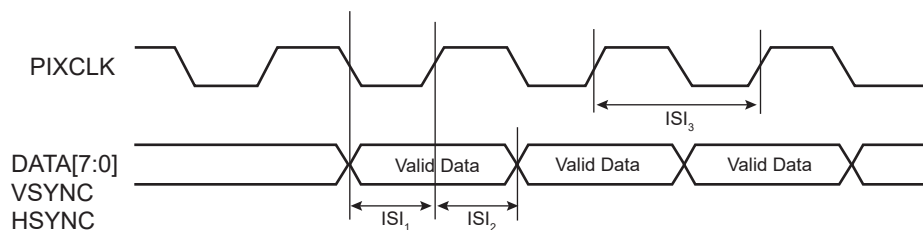


Table 54-63: ISI Timings with Peripheral Supply 3.3V and VDDCORE in [1.08V, 1.32V] Range

Symbol	Parameter	Min	Max	Unit
ISI ₁	DATA/VSYNC/HSYNC setup time	3.4	—	ns
ISI ₂	DATA/VSYNC/HSYNC hold time	1.1	—	ns
ISI ₃	PIXCLK frequency	—	80	MHz

Table 54-64: ISI Timings with Peripheral Supply 1.8V and VDDCORE in [1.08V, 1.32V] Range

Symbol	Parameter	Min	Max	Unit
ISI ₁	DATA/VSYNC/HSYNC setup time	3.5	—	ns
ISI ₂	DATA/VSYNC/HSYNC hold time	1.3	—	ns
ISI ₃	PIXCLK frequency	—	80	MHz

Table 54-65: ISI Timings with Peripheral Supply 3.3V and VDDCORE in [1.2V, 1.32V] Range

Symbol	Parameter	Min	Max	Unit
ISI ₁	DATA/VSYNC/HSYNC setup time	2.4	—	ns
ISI ₂	DATA/VSYNC/HSYNC hold time	1.0	—	ns
ISI ₃	PIXCLK frequency	—	80	MHz

Table 54-66: ISI Timings with Peripheral Supply 1.8V and VDDCORE in [1.2V, 1.32V] Range

Symbol	Parameter	Min	Max	Unit
ISI ₁	DATA/VSYNC/HSYNC setup time	2.5	—	ns
ISI ₂	DATA/VSYNC/HSYNC hold time	1.1	—	ns
ISI ₃	PIXCLK frequency	—	80	MHz

54.18 MCI Timings

The High Speed MultiMedia Card Interface (HSMCI) supports the MultiMedia Card (MMC) Specification V4.3, the SD Memory Card Specification V2.0, the SDIO V2.0 specification, and CE-ATA V1.1.

54.19 EMAC/GMAC Timings

54.19.1 EMAC/GMAC Timing Conditions

Timings are given assuming a capacitance load on data and clock as defined in [Table 54-67](#).

Table 54-67: Capacitance Load on Data, Clock Pads

Supply	Corner	
	Max	Min
3.3V	20 pF	0 pF
1.8V	20 pF	0 pF

54.19.2 Timing Constraints

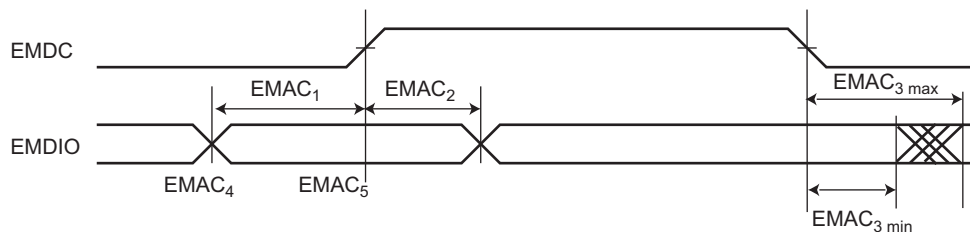
Timings given in [Table 54-68](#) and [Table 54-69](#) are compliant with the IEEE 802.3 EMAC standard.

Table 54-68: EMAC Signals Relative to EMDC

Symbol	Parameter	Min	Max	Unit
EMAC ₁	Setup for EMDIO from EMDC rising	10	—	ns
EMAC ₂	Hold for EMDIO from EMDC rising	10	—	ns
EMAC ₃	EMDIO toggling from EMDC rising	0 ⁽¹⁾	300 ⁽¹⁾	ns

Note 1: For EMAC output signals, min and max access time are defined. The min access time is the time between the EMDC rising edge and the signal change. The max access time is the time between the EMDC rising edge and the signal stabilizes. [Figure 54-30](#) illustrates min and max accesses for EMAC₃.

Figure 54-30: Min and Max Access Time of EMAC Output Signals



54.19.2.1 MII Mode

Table 54-69: EMAC MII Specific Signals

Symbol	Parameter	Min	Max	Unit
EMAC ₄	Setup for ECOL from ETXCK rising	10	—	ns
EMAC ₅	Hold for ECOL from ETXCK rising	10	—	ns
EMAC ₆	Setup for ECRS from ETXCK rising	10	—	ns
EMAC ₇	Hold for ECRS from ETXCK rising	10	—	ns
EMAC ₈	ETXER toggling from ETXCK rising	10 ⁽¹⁾	25 ⁽¹⁾	ns
EMAC ₉	ETXEN toggling from ETXCK rising	10 ⁽¹⁾	25 ⁽¹⁾	ns

SAMA5D3 SERIES

Table 54-69: EMAC MII Specific Signals (Continued)

Symbol	Parameter	Min	Max	Unit
EMAC ₁₀	ETX toggling from ETXCK rising	10 ⁽¹⁾	25 ⁽¹⁾	ns
EMAC ₁₁	Setup for ERX from ERXCK	10	—	ns
EMAC ₁₂	Hold for ERX from ERXCK	10	—	ns
EMAC ₁₃	Setup for ERXER from ERXCK	10	—	ns
EMAC ₁₄	Hold for ERXER from ERXCK	10	—	ns
EMAC ₁₅	Setup for ERXDV from ERXCK	10	—	ns
EMAC ₁₆	Hold for ERXDV from ERXCK	10	—	ns

Note 1: See Note ⁽¹⁾ of Table 54-68.

Figure 54-31: EMAC MII Mode

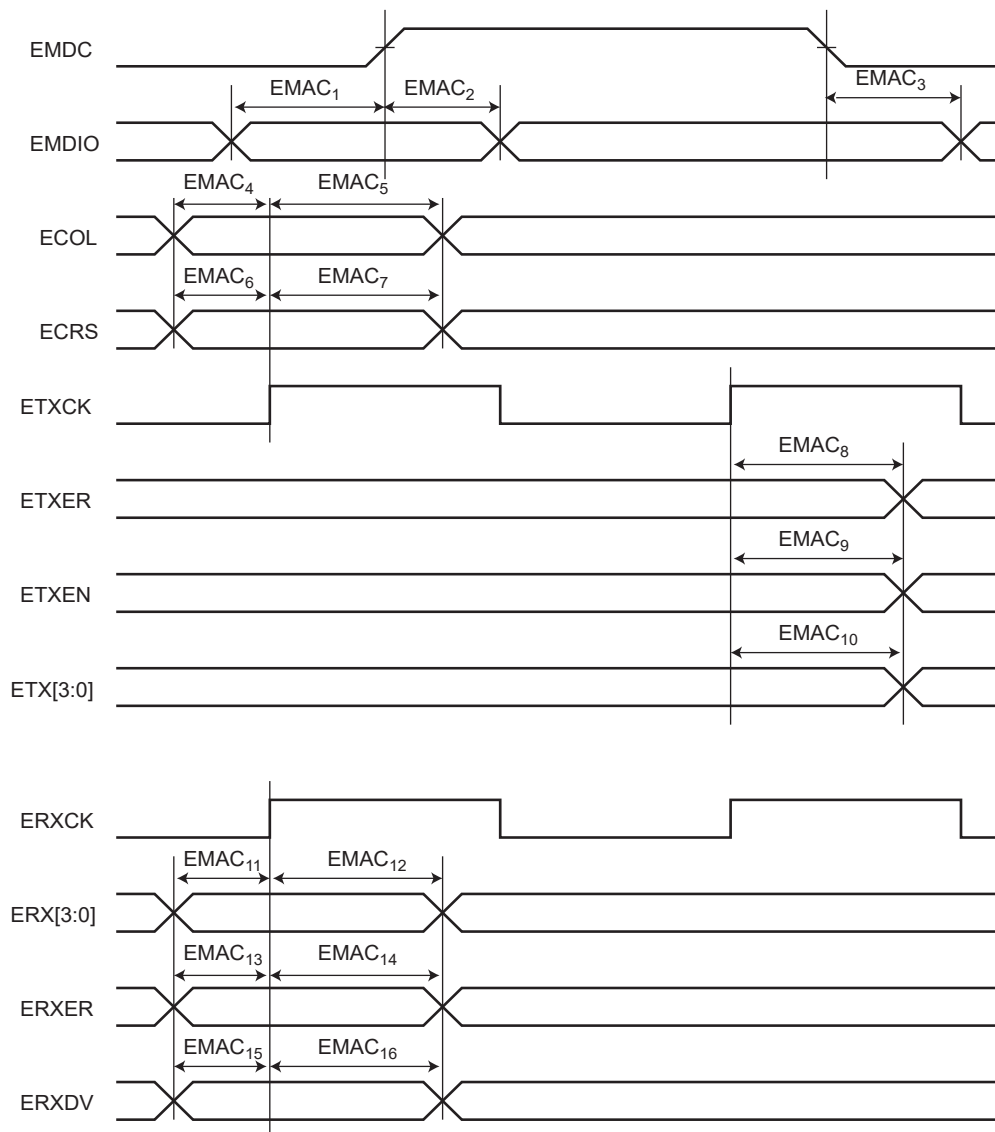
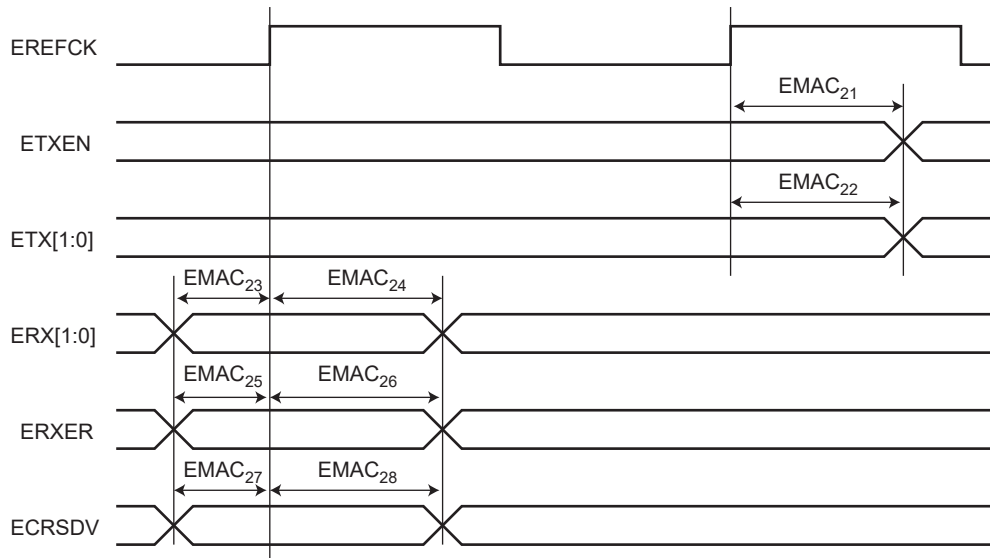


Table 54-70: RMII Mode

Symbol	Parameter	Min	Max	Unit
EMAC ₂₁	ETXEN toggling from EREFCK rising	2 ⁽¹⁾	16 ⁽¹⁾	ns
EMAC ₂₂	ETX toggling from EREFCK rising	2 ⁽¹⁾	16 ⁽¹⁾	ns
EMAC ₂₃	Setup for ERX from EREFCK rising	4	—	ns
EMAC ₂₄	Hold for ERX from EREFCK rising	2	—	ns
EMAC ₂₅	Setup for ERXER from EREFCK rising	4	—	ns
EMAC ₂₆	Hold for ERXER from EREFCK rising	2	—	ns
EMAC ₂₇	Setup for ECRSDV from EREFCK rising	4	—	ns
EMAC ₂₈	Hold for ECRSDV from EREFCK rising	2	—	ns

Note 1: See Note ⁽¹⁾ of Table 54-68.

Figure 54-32: EMAC RMII Timings



SAMA5D3 SERIES

54.20 USART in Asynchronous Modes

In Asynchronous modes, the maximum baud rate that can be achieved is $MCK/8$, if the bit `USART_MR.OVER=1`.

Example: if $MCK = 133 \text{ MHz}$, the baud rate is 16.6 MBit/s .

54.21 USART in SPI Mode Timings

54.21.1 USART Timing Conditions

Timings are given assuming a capacitance load on MISO, SPCK and MOSI as defined in [Table 54-71](#).

Table 54-71: Capacitance Load for MISO, SPCK and MOSI (product dependent)

Supply	Corner	
	Max	Min
3.3V	40 pF	40 pF
1.8V	20 pF	40 pF

54.21.2 Timing Extraction

Figure 54-33: USART SPI Master Mode

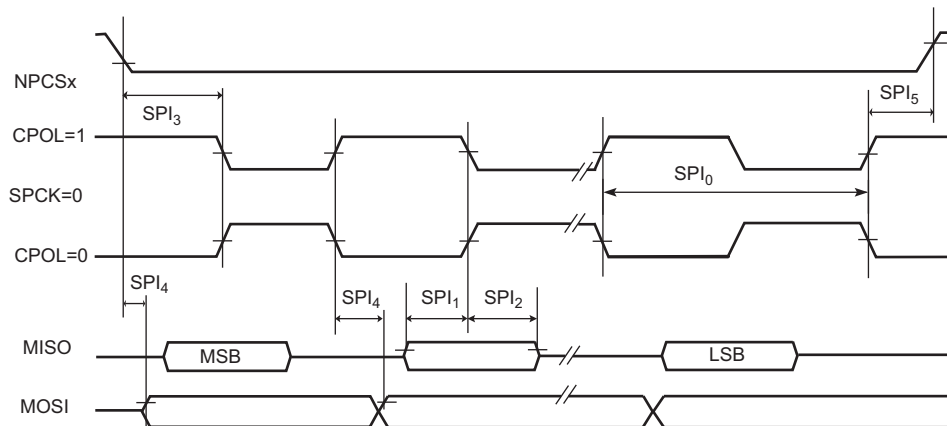


Figure 54-34: USART SPI Slave Mode (Mode 1 or 2)

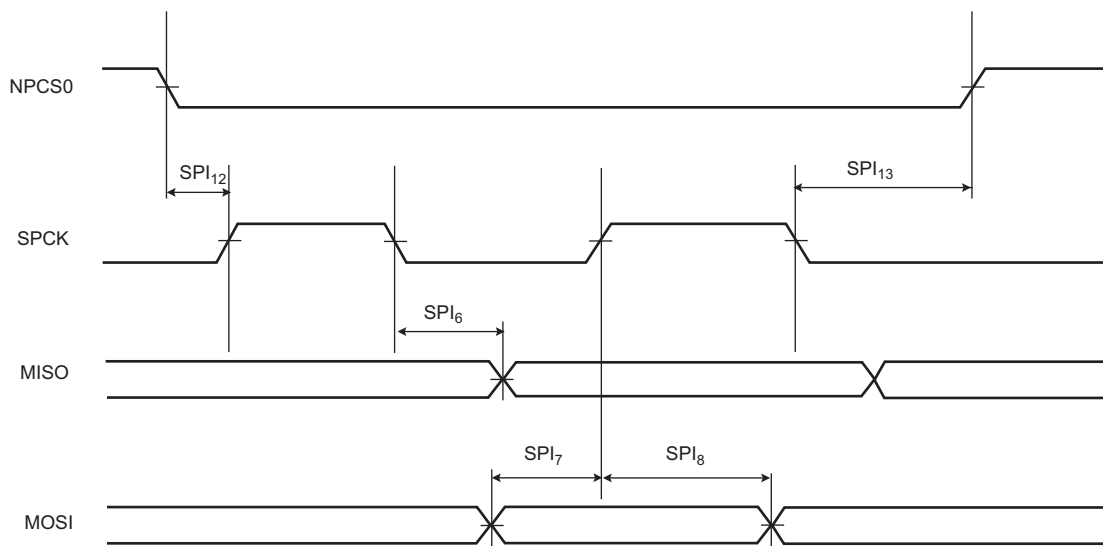


Figure 54-35: USART SPI Slave Mode (Mode 0 or 3)

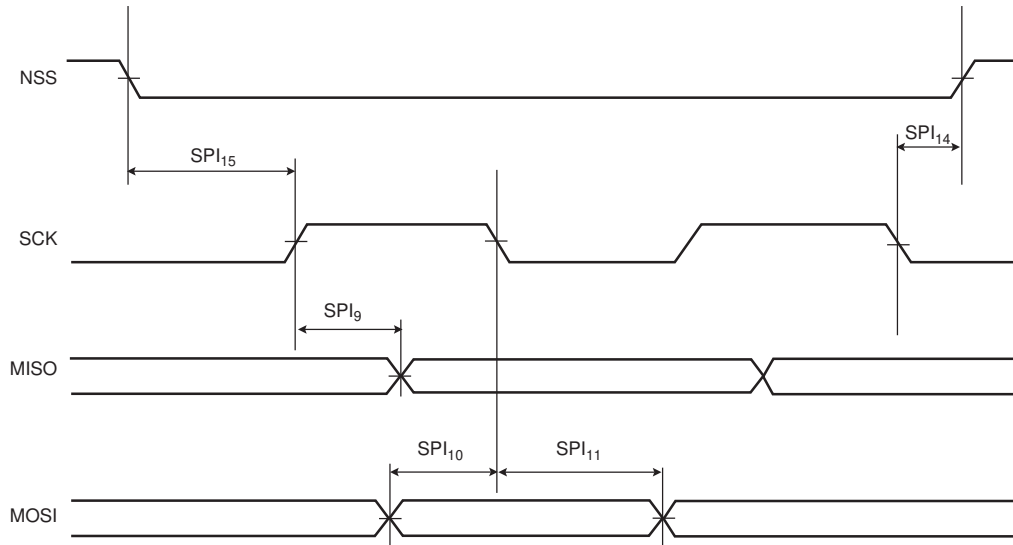


Table 54-72: USART SPI Timings 3.3V Peripheral Supply

Symbol	Parameter	Conditions	Min	Max	Unit
Master Mode					
SPI ₀	SPCK Period	—	MCK/6	—	ns
SPI ₁	Input Data Setup Time	—	2.4	—	ns
SPI ₂	Input Data Hold Time	—	0.4	—	ns
SPI ₃	Chip Select Active to Serial Clock	—	—	1.1	ns
SPI ₄	Output Data Setup Time	—	—	6.5	ns
SPI ₅	Serial Clock to Chip Select Inactive	—	—	0.6	ns
Slave Mode					
SPI ₆	SPCK falling to MISO	—	2.2 ⁽¹⁾	8.7 ⁽¹⁾	ns
SPI ₇	MOSI Setup time before SPCK rises	—	—	—	ns
SPI ₈	MOSI Hold time after SPCK rises	—	0.1	—	ns
SPI ₉	SPCK rising to MISO	—	5.6 ⁽¹⁾	8 ⁽¹⁾	ns
SPI ₁₀	MOSI Setup time before SPCK falls	—	2	—	ns
SPI ₁₁	MOSI Hold time after SPCK falls	—	0.5	—	ns
SPI ₁₂	NPCS0 setup to SPCK rising	—	1	—	ns
SPI ₁₃	NPCS0 hold after SPCK falling	—	0.9	—	ns
SPI ₁₄	NPCS0 setup to SPCK falling	—	0.8	—	ns
SPI ₁₅	NPCS0 hold after SPCK rising	—	0.4	—	ns
SPI ₁₆	NPCS0 falling to MISO valid	—	—	7.6	ns

Note 1: For output signals, min and max access time must be extracted. The min access time is the time between the SPCK rising or falling edge and the signal change. The max access timing is the time between the SPCK rising or falling edge and the signal stabilizes. Figure 54-17 illustrates min and max accesses for SPI₂. The same applies for SPI₅, SPI₆, and SPI₉.

SAMA5D3 SERIES

54.22 Two-wire Interface Characteristics

Table 54-73 describes the requirements for devices connected to the Two-wire Serial Bus.

For timing symbols, refer to Figure 54-36.

Table 54-73: Two-wire Serial Bus Requirements

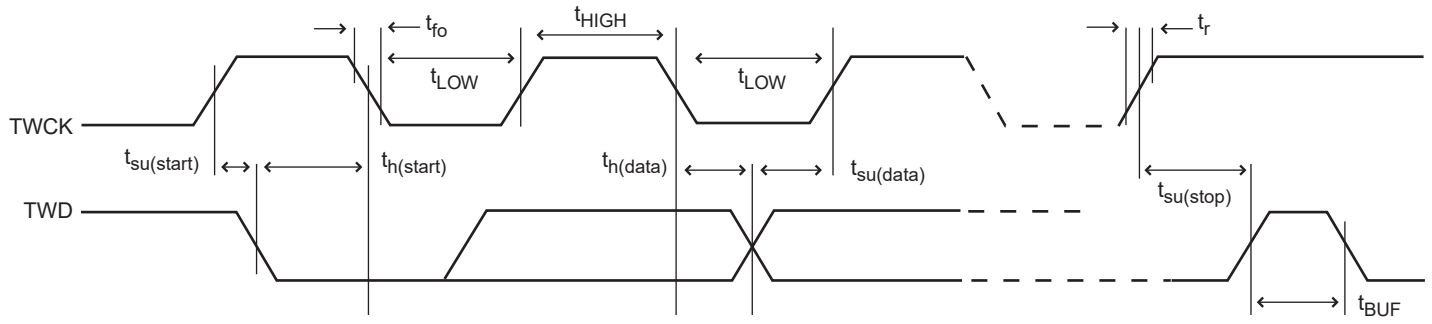
Symbol	Parameter	Conditions	Min	Max	Unit
V_{IL}	Input Low-voltage	—	-0.3	$0.3 \times V_{DDIO}$	V
V_{IH}	Input High-voltage	—	$0.7 \times V_{DDIO}$	$V_{CC} + 0.3$	V
V_{hys}	Hysteresis of Schmitt Trigger Inputs	—	0.150	—	V
V_{OL}	Output Low-voltage	3 mA sink current	—	0.4	V
t_r	Rise Time for both TWD and TWCK	—	$20 + 0.1C_b^{(1)(2)}$	300	ns
t_{fo}	Output Fall Time from V_{IHmin} to V_{ILmax}	$10 \text{ pF} < C_b < 400 \text{ pF}$ Figure 54-36	$20 + 0.1C_b^{(1)(2)}$	250	ns
$C_i^{(1)}$	Capacitance for each I/O Pin	—	—	10	pF
f_{TWCK}	TWCK Clock Frequency	—	0	400	kHz
R_p	Value of Pull-up Resistor	$f_{TWCK} \leq 100 \text{ kHz}$	$(V_{DDIO} - 0.4V) \div 3mA$	$1000ns \div C_b$	Ω
		$f_{TWCK} > 100 \text{ kHz}$	$(V_{DDIO} - 0.4V) \div 3mA$	$300ns \div C_b$	Ω
t_{LOW}	Low Period of the TWCK Clock	$f_{TWCK} \leq 100 \text{ kHz}$	(2)	—	μs
		$f_{TWCK} > 100 \text{ kHz}$	(2)	—	μs
t_{HIGH}	High Period of the TWCK Clock	$f_{TWCK} \leq 100 \text{ kHz}$	(2)	—	μs
		$f_{TWCK} > 100 \text{ kHz}$	(2)	—	μs
$t_{h(start)}$	Hold Time (repeated) START Condition	$f_{TWCK} \leq 100 \text{ kHz}$	t_{HIGH}	—	μs
		$f_{TWCK} > 100 \text{ kHz}$	t_{HIGH}	—	μs
$t_{su(start)}$	Set-up Time for a Repeated START Condition	$f_{TWCK} \leq 100 \text{ kHz}$	t_{HIGH}	—	μs
		$f_{TWCK} > 100 \text{ kHz}$	t_{HIGH}	—	μs
$t_{h(data)}$	Data Hold Time	$f_{TWCK} \leq 100 \text{ kHz}$	0	$3 \times t_{CPMCK}^{(3)}$	μs
		$f_{TWCK} > 100 \text{ kHz}$	0	$3 \times t_{CPMCK}^{(3)}$	μs
$t_{su(data)}$	Data Setup Time	$f_{TWCK} \leq 100 \text{ kHz}$	$t_{LOW} - 3 \times t_{CPMCK}^{(3)}$	—	ns
		$f_{TWCK} > 100 \text{ kHz}$	$t_{LOW} - 3 \times t_{CPMCK}^{(3)}$	—	ns
$t_{su(stop)}$	Setup Time for STOP Condition	$f_{TWCK} \leq 100 \text{ kHz}$	t_{HIGH}	—	μs
		$f_{TWCK} > 100 \text{ kHz}$	t_{HIGH}	—	μs
t_{BUF}	Bus free time between a STOP and START condition	$f_{TWCK} \leq 100 \text{ kHz}$	t_{LOW}	—	μs
		$f_{TWCK} > 100 \text{ kHz}$	t_{LOW}	—	μs

Note 1: Required only for $f_{TWCK} > 100 \text{ kHz}$.

2: C_b = capacitance of one bus line in pF. Per I2C standard, $C_b \text{ max} = 400 \text{ pF}$
 The TWCK low period is defined as follows: $t_{LOW} = ((CLDIV \times 2^{CKDIV}) + 3) \times t_{MCK}$
 The TWCK high period is defined as follows: $t_{HIGH} = ((CHDIV \times 2^{CKDIV}) + 3) \times t_{MCK}$

3: t_{CPMCK} = MCK bus period.

Figure 54-36: Two-wire Serial Bus Timing



SAMA5D3 SERIES

55. Mechanical Characteristics

55.1 324-ball LFBGA Mechanical Characteristics

For the most current package drawings, please see the Microchip Packaging Specification located at <http://www.microchip.com/packaging>.

Figure 55-1: 324-ball LFBGA Package Drawing

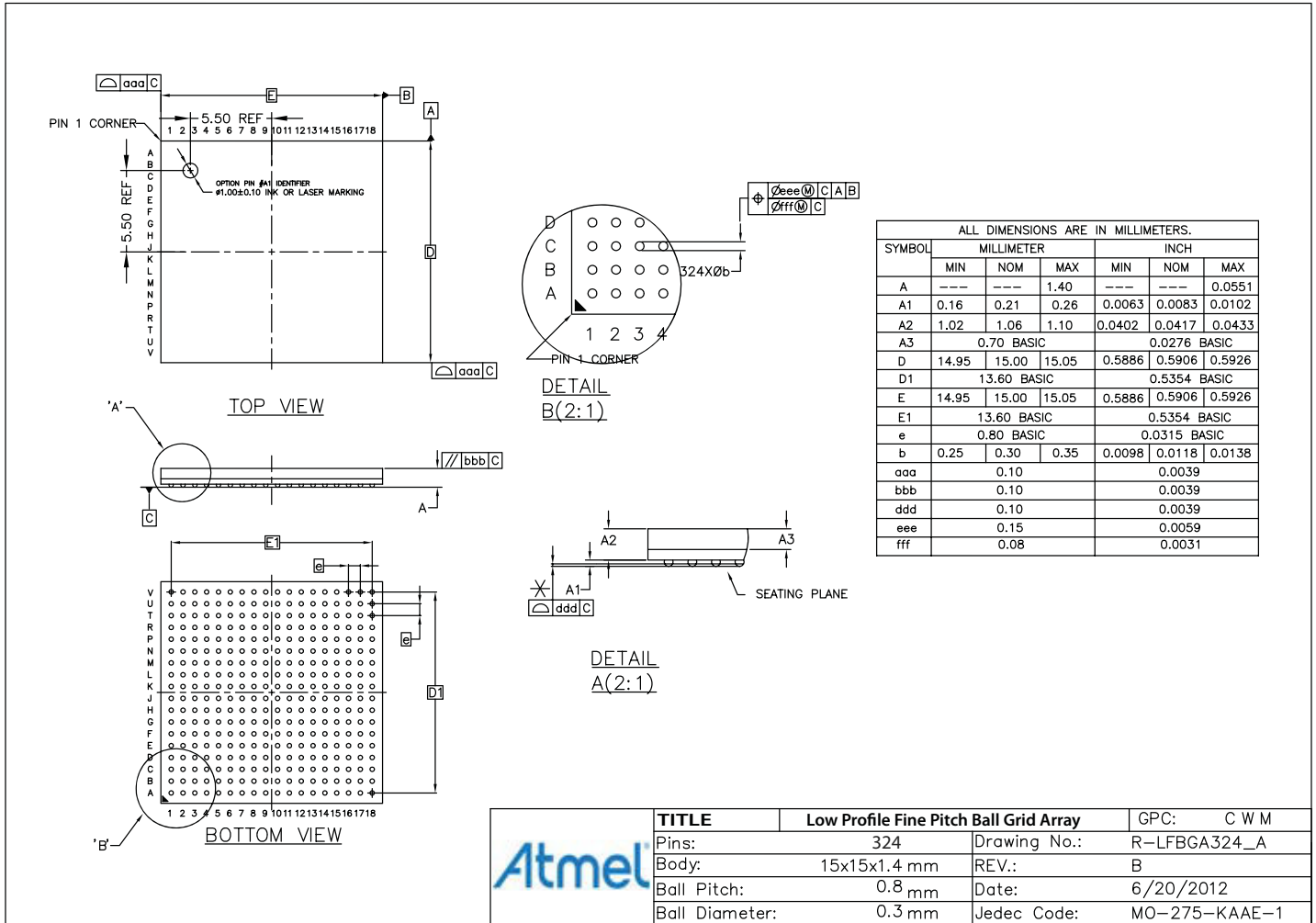


Table 55-1: 324-ball LFBGA Package Characteristics

Moisture Sensitivity Level	3
----------------------------	---

Table 55-2: Device and 324-ball LFBGA Package Maximum Weight

400	mg
-----	----

Table 55-3: 324-ball LFBGA Package Reference

JEDEC Drawing Reference	MO-275-KAAE-1
JESD97 Classification	e8

Table 55-4: 324-ball LFBGA Package Information

Ball Land	0.350 mm \pm 0.05
Nominal Ball Diameter	0.30 mm
Solder Mask Opening	0.275 mm \pm 0.05
Solder Mask Definition	SMD
Solder	SAC105

SAMA5D3 SERIES

55.2 324-ball TFBGA Mechanical Characteristics

For the most current package drawings, please see the Microchip Packaging Specification located at <http://www.microchip.com/packaging>.

Figure 55-2: 324-ball TFBGA Package Drawing

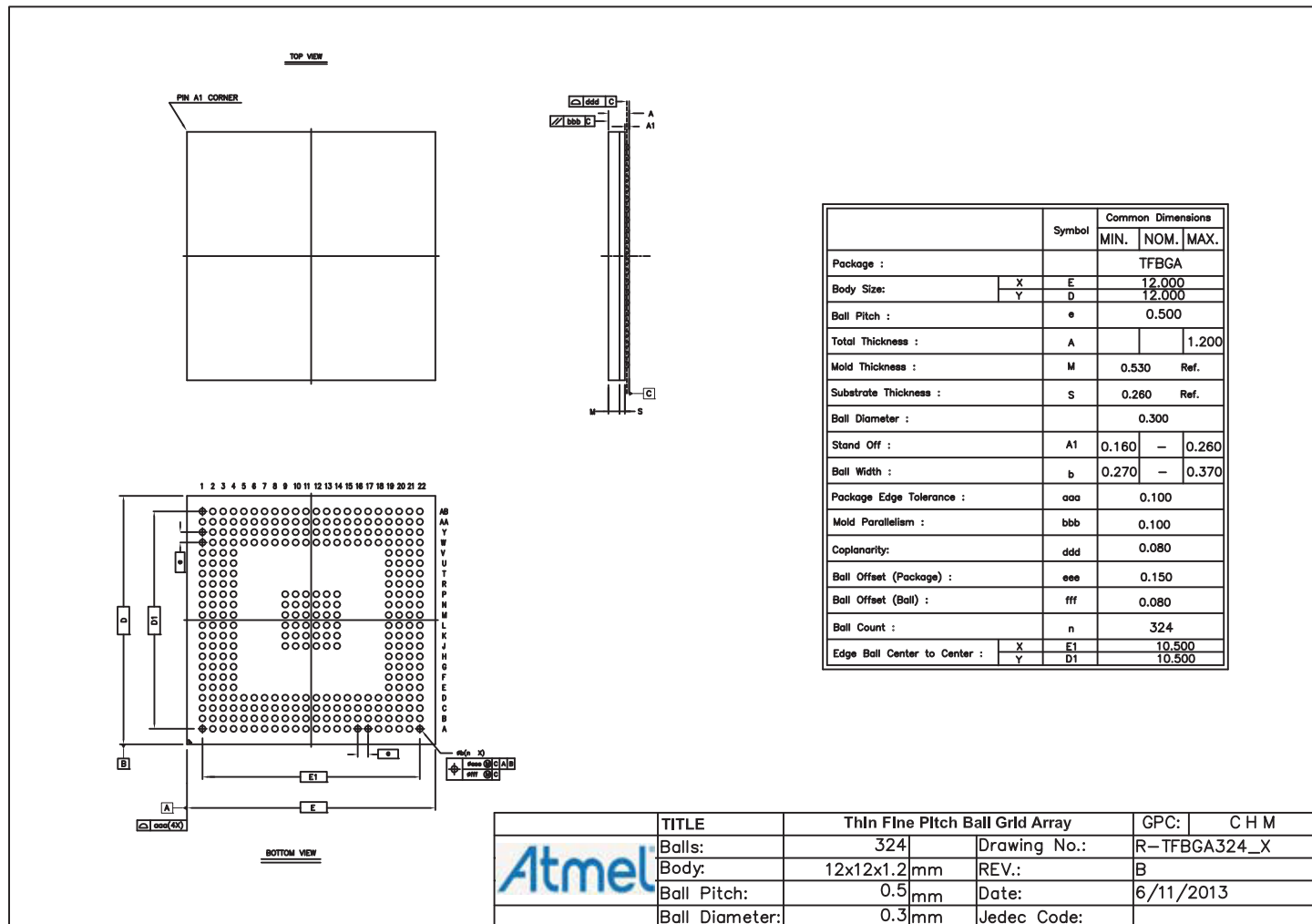


Table 55-5: 324-ball TFBGA Package Characteristics

Moisture Sensitivity Level	3
----------------------------	---

Table 55-6: Device and 324-ball TFBGA Package Maximum Weight

280	mg
-----	----

Table 55-7: 324-ball TFBGA Package Reference

JEDEC Drawing Reference	—
JESD97 Classification	—

Table 55-8: 324-ball TFBGA Package Information

Ball Land	0.350 mm ± 0.05
-----------	-----------------

Table 55-8: 324-ball TFBGA Package Information

Nominal Ball Diameter	0.30 mm
Solder Mask Opening	0.275 mm \pm 0.05
Solder Mask Definition	SMD
Solder	LF35

56. Schematic Checklist

The schematic checklist provides the user with the requirements regarding the different pin connections that must be considered before starting any new board design. It also provides information on the minimum hardware resources required to quickly develop an application with the SAMA5D3. It does not consider PCB layout constraints.

It also provides recommendations regarding low-power design constraints to minimize power consumption.

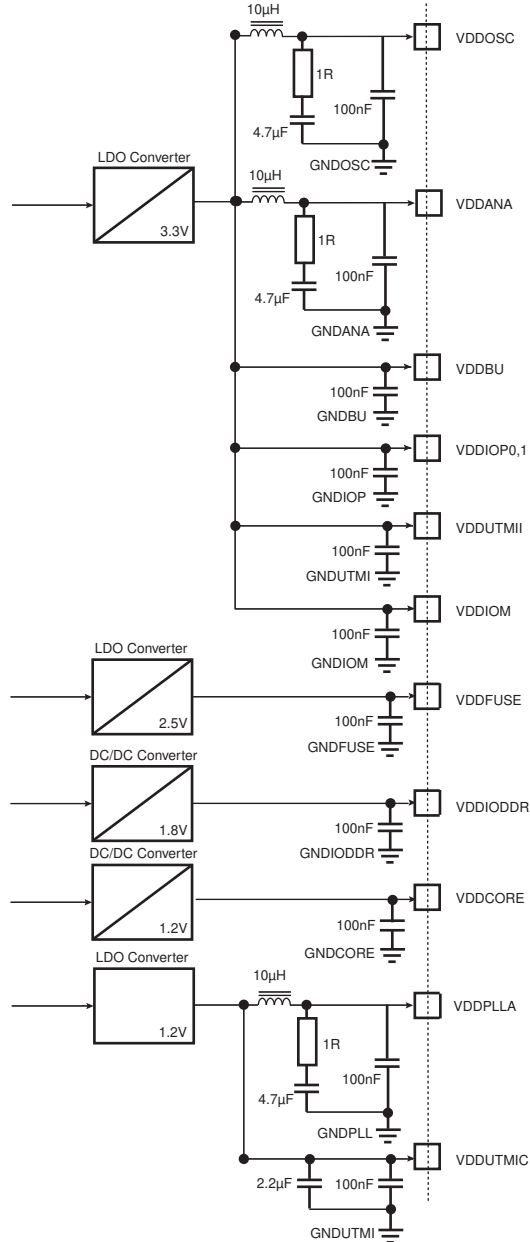
This information is not intended to be exhaustive. Its objective is to cover as many configurations of use as possible.

The checklist contains a column for use by designers, making it easy to track and verify each line item.

56.1 Power Supply

Caution: The board design must comply with power-up and power-down sequence guidelines provided in [Section 4.2 Power Sequence Requirements](#) to ensure reliable operation of the device.

Figure 56-1: 1.2V, 1.8V, 2.5V, 3.3V Power Supplies Schematics ⁽¹⁾



Note 1: These values are given only as a typical example.

SAMA5D3 SERIES

Table 56-1: Power Supply Connections

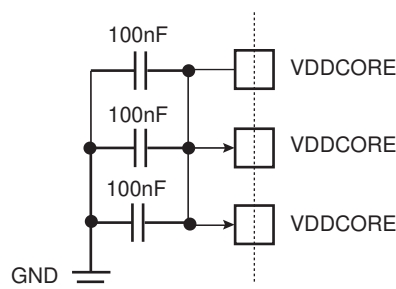
Signal Name	Recommended Pin Connection	Description
VDDCORE	1.2V Decoupling capacitor (100 nF) ⁽¹⁾⁽²⁾	Powers the device. Decoupling/filtering capacitors must be added to improve start-up stability and reduce source voltage drop. Supply ripple must not exceed 20 mVrms.
VDDIODDR	1.8V 1.2V Decoupling capacitor (100 nF) ⁽¹⁾⁽²⁾	Powers the DDR2/LPDDR Interface I/O lines. Powers the LPDDR2 Interface I/O lines. Decoupling/filtering capacitors must be added to improve start-up stability and reduce source voltage drop.
VDDIOM	1.65V to 1.95V 3.0V to 3.6V Decoupling capacitor (100 nF) ⁽¹⁾⁽²⁾	Powers the External Memory Interface I/O lines. Dual voltage range is supported. The I/O drives are selected by programming the DRIVE0 and DRIVE1 fields in SFR_EBICFG. Decoupling/filtering capacitors must be added to improve start-up stability and reduce source voltage drop.
VDDIOP0 VDDIOP1	1.65V to 3.6V Decoupling/filtering capacitors (100 nF) ⁽¹⁾⁽²⁾	Powers the peripheral I/O lines. Decoupling/filtering capacitors must be added to improve start-up stability and reduce source voltage drop.
VDDBU	1.65V to 3.6V Decoupling capacitor (100 nF) ⁽¹⁾⁽²⁾	Powers the Backup unit. (Slow Clock Oscillator, On-chip RC and a part of the System Controller).
VDDUTMIC	1.2V Decoupling/filtering capacitors (100 nF and 2.2 μ F) ⁽¹⁾⁽²⁾	Powers the USB device, host UTMI+ core and part of the UTMI PLL. Must always be connected even if the USB is not used. Decoupling/filtering capacitors must be added to improve start-up stability and reduce source voltage drop.
VDDUTMII	3.0V to 3.6V Decoupling capacitor (100 nF) ⁽¹⁾⁽²⁾	Powers the USB device and host UTMI+ interface. Must always be connected even if the USB is not used. Decoupling/filtering capacitors must be added to improve start-up stability and reduce source voltage drop.
VDDPLLA	1.2V Decoupling/filtering RLC circuit ⁽¹⁾	Powers the PLLA cell. The VDDPLLA power supply pin draws small current, but it is noise sensitive. Care must be taken in VDDPLLA power supply routing, decoupling and also on bypass capacitors. Supply ripple must not exceed 10 mVrms.
VDDOSC	1.65V to 3.6V Decoupling/filtering RLC circuit ⁽¹⁾	Powers the main oscillator cell and PLL UTMI. If PLL UTMI or USB is used, the range is to be 3.0V to 3.6V. The VDDOSC power supply pin is noise-sensitive. Care must be taken in VDDOSC power supply routing, decoupling and also on bypass capacitors. Supply ripple must not exceed 30 mVrms.
VDDANA	3.0V to 3.6V Decoupling/filtering RLC circuit ⁽¹⁾ Application dependent	Powers the Analog-to-Digital Converter (ADC).

Table 56-1: Power Supply Connections (Continued)

Signal Name	Recommended Pin Connection	Description
VDDFUSE	2.25V to 2.75V	Powers the fuse box for programming. It can be tied to ground with a 100Ω resistor for fuse reading only.
GNDCORE	Core Chip ground	GNDCORE pins are common to VDDCORE pins. GNDCORE pins should be connected as shortly as possible to the system ground plane.
GNDIODDR	DDR/LPDDR/LPDDR2 interface I/O lines ground	GNDIODDR pins should be connected as shortly as possible to the system ground plane.
GNDIOM	NAND and SMC Interface I/O lines ground	GNDIOM pins should be connected as shortly as possible to the system ground plane.
GNDIOP	Peripherals and ISI I/O lines ground	GNDIOP pins are common to VDDIOP0, VDDIOP1 pins. GNDIOP pins should be connected as shortly as possible to the system ground plane.
GNDBU	Backup ground	GNDBU pin is provided for VDDBU pins. GNDBU pin should be connected as shortly as possible to the system ground plane.
GNDUTMI	UDPHS and UPHS UTMI+ Core and interface ground	GNDUTMI pins are common to VDDUTMII and VDDUTMIC pins. GNDUTMI pins should be connected as shortly as possible to the system ground plane.
GNDPLL	PLLA cell ground	GNDPLL pin is provided for VDDPLLA pin. GNDPLL pin should be connected as shortly as possible to the system ground plane.
GNDOSC	PLLUTMI and Oscillator ground	GNDOSC pin is provided for VDDOSC pin. GNDOSC pin should be connected as shortly as possible to the system ground plane.
GNDANA	Analog ground	GNDANA pins are common to VDDANA pins. GNDANA pins should be connected as shortly as possible to the system ground plane.
GNDFUSE	Fuse box ground	GNDFUSE pins are common to VDDFUSE pins. GNDFUSE pins should be connected as shortly as possible to the system ground plane.

Note 1: These values are given only as a typical example.

2: Decoupling capacitors must be connected as close as possible to the microcontroller and on each concerned pin.



For more information, see [Section 54.12.1 Core Power Supply POR Characteristics](#).

SAMA5D3 SERIES

56.2 Clock, Oscillator and PLL

Table 56-2: Clock, Oscillator and PLL Connections

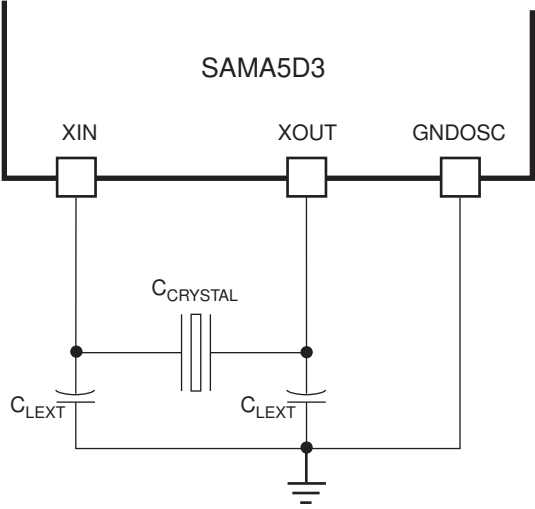
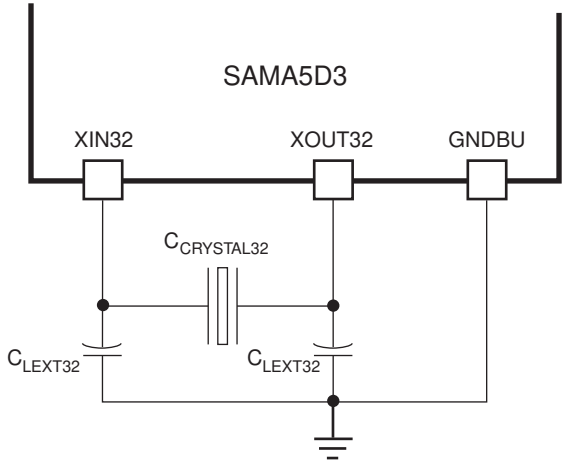
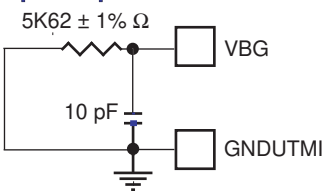
Signal Name	Recommended Pin Connection	Description
<p>XIN</p> <p>XOUT</p> <p>12 MHz Main Oscillator in Normal Mode</p>	<p>Crystals between 8 and 16 MHz</p> <p>USB High Speed (not Full Speed)</p> <p>Host and Device peripherals need a 12 MHz clock.</p> <p>Capacitors on XIN and XOUT (Crystal Load Capacitance dependent)</p>	<p>Crystal Load Capacitance to check ($C_{CRYSTAL}$).</p>  <p>Example: for a 12 MHz crystal with a load capacitance of $C_{CRYSTAL} = 15$ pF, external capacitors are required: $C_{LEXT} = 20$ pF.</p> <p>Refer to Section 54. Electrical Characteristics.</p>
<p>XIN</p> <p>XOUT</p> <p>12 MHz Main Oscillator in Bypass Mode</p>	<p>XIN: external clock source</p> <p>XOUT: can be left unconnected</p> <p>USB High speed (not Full Speed)</p> <p>Host and Device peripherals need a 12 MHz clock.</p>	<p>VDDOSC square wave signal</p> <p>External clock source up to 50 MHz</p> <p>Duty Cycle: 40 to 60%</p> <p>Refer to Section 54. Electrical Characteristics.</p>
<p>XIN</p> <p>XOUT</p> <p>12 MHz Main Oscillator Disabled</p>	<p>XIN: can be left unconnected</p> <p>XOUT: can be left unconnected</p> <p>USB High Speed (not Full Speed)</p> <p>Host and Device peripherals need a 12 MHz clock.</p>	<p>Typical nominal frequency 12 MHz (Internal 12 MHz RC Oscillator)</p> <p>Duty Cycle: 45 to 55%</p> <p>Refer to Section 54. Electrical Characteristics.</p>

Table 56-2: Clock, Oscillator and PLL Connections (Continued)

Signal Name	Recommended Pin Connection	Description
XIN32 XOUT32 Slow Clock Oscillator	32.768 kHz Crystal Capacitors on XIN32 and XOUT32 (Crystal Load Capacitance dependent)	<p>Crystal load capacitance to check ($C_{CRYSTAL32}$).</p>  <p>Example: for a 32.768 kHz crystal with a load capacitance of $C_{CRYSTAL32} = 12.5$ pF, external capacitors are required: $C_{LEXT32} = 19$ pF. Refer to Section 54. Electrical Characteristics.</p>
XIN32 XOUT32 Slow Clock Oscillator in Bypass Mode	XIN32: external clock source XOUT32: can be left unconnected	<p>VDDBU square wave signal External clock source up to 44 kHz Duty Cycle: 40 to 60% Refer to Section 54. Electrical Characteristics.</p>
XIN32 XOUT32 Slow Clock Oscillator Disabled	XIN32: can be left unconnected XOUT32: can be left unconnected	<p>Typical nominal frequency 32 kHz (internal 32 kHz RC oscillator) Duty Cycle: 45 to 55% Refer to Section 54. Electrical Characteristics.</p>
VBG	0.9–1.1V ⁽¹⁾	<p>Bias Voltage Reference for USB To reduce as much as possible the noise on VBG pin please check the Layout consideration below: - VBG path as short as possible - ground connection to GNDUTMI</p>  <p>VBG can be left unconnected if USB is not used. Refer to Section 54. Electrical Characteristics.</p>

SAMA5D3 SERIES

56.3 ICE and JTAG

Table 56-3: ICE and JTAG Connections⁽¹⁾

Signal Name	Recommended Pin Connection	Description
TCK	Pull-up (100 kΩ) ⁽²⁾	This pin is a Schmitt trigger input. No internal pull-up resistor.
TMS	Pull-up (100 kΩ) ⁽²⁾	This pin is a Schmitt trigger input. No internal pull-up resistor.
TDI	Pull-up (100 kΩ) ⁽²⁾	This pin is a Schmitt trigger input. No internal pull-up resistor.
TDO	Floating	Output driven at up to V _{DDIOP0}
NTRST	Refer to the pin description section.	This pin is a Schmitt trigger input. Internal pull-up resistor to V _{DDIOP0} (100 kΩ).
JTAGSEL	In harsh environments ⁽³⁾ , it is strongly recommended to tie this pin to GNDBU if not used or to add an external low-value resistor (such as 1 kΩ).	Internal pull-down resistor to GNDBU (15 kΩ). Must be tied to V _{DDBU} to enter JTAG Boundary Scan.

Note 1: It is recommended to establish accessibility to a JTAG connector for debug in any case.

2: These values are given only as a typical example.

3: In a well-shielded environment subject to low magnetic and electric field interference, the pin may be left unconnected. In noisy environments, a connection to ground is recommended.

56.4 Reset and Test

Table 56-4: Reset and Test Connections

Signal Name	Recommended Pin Connection	Description
NRST	Application dependent Can be connected to a push button for hardware reset.	NRST is a bidirectional pin (Schmitt trigger input). It is handled by the on-chip reset controller and can be driven low to provide a reset signal to the external components or asserted low externally to reset the microcontroller. By default, the user reset is enabled after a general reset so that it is possible for a component to assert low and reset the microcontroller. An internal pull-up resistor to V _{DDIOP0} (100 kΩ) is available for user reset and external reset control.
TST	In harsh environments ⁽¹⁾ , it is strongly recommended to tie this pin to GNDBU if not used or to add an external low-value resistor (such as 10 kΩ).	This pin is a Schmitt trigger input. Internal pull-down resistor to GNDBU (15 kΩ).
BMS	Application dependent	Must be tied to V _{DDIOP0} to boot from Embedded ROM. Must be tied to GNDIOP to boot from external memory (EBI Chip Select 0).

Note 1: In a well-shielded environment subject to low magnetic and electric field interference, the pin may be left unconnected. In noisy environments, a connection to ground is recommended.

56.5 Shutdown/Wake-up Logic

Table 56-5: Shutdown/Wake-up Logic Connections

Signal Name	Recommended Pin Connection	Description
SHDN	Application dependent. A typical application connects the pin SHDN to the shutdown input of the DC/DC Converter providing the main power supplies.	This pin is a push-pull output. SHDN pin is driven low to GNDBU by the Shutdown Controller (SHDWC).
WKUP	0V to V_{DDBU}	This pin is an input-only. WKUP behavior can be configured through the Shutdown Controller (SHDWC).

56.6 Parallel Input/Output (PIO)

Table 56-6: PIO Connections

Signal Name	Recommended Pin Connection	Description
PAx PBx PCx PDx PEx	Application dependent.	All PIOs are pulled-up inputs (100 k Ω) at reset except those which are multiplexed with the Address Bus signals that require to be enabled as peripherals: In " Section 3.2 324-ball LFBGA Package Pinout ", refer to the column 'Reset State' of Table 3-1 SAMA5D3 Pinout for 324-ball LFBGA Package . Schmitt trigger on all inputs. To reduce power consumption if not used, the concerned PIO can be configured as an output, driven at '0' with internal pull-up disabled.

56.7 Analog-to-Digital Converter (ADC)

Table 56-7: ADC Connections

Signal Name	Recommended Pin Connection	Description
ADVREF	3.3V to VDDANA Decoupling/filtering capacitors Application dependent.	ADVREF is a pure analog input. To reduce power consumption if the ADC is not used, connect ADVREF to GNDANA.

56.8 External Bus Interface (EBI)

Table 56-8: EBI Connections

Signal Name	Recommended Pin Connection	Description
D0–D15	Application dependent.	Data Bus (D0 to D15) All data lines are pull-up inputs to V_{DDIOM} at reset.
A0–A25	Application dependent.	Address Bus (A0 to A25) All address lines are driven to '0' at reset.

56.9 High-Speed MultiMedia Card Interface (HSMCI) - DDR2/LPDDR/LPDDR2 Controller - NAND Flash Support

See [Section 56.11 EBI and DDR2/LPDDR/LPDDR2 Hardware Interface](#).

SAMA5D3 SERIES

56.10 USB High-Speed Host (UHPHS)/USB High-Speed Device (UDPHS)

Table 56-9: UHPHS/UDPHS Connections

Signal Name	Recommended Pin Connection	Description
HHSDPA/DHSDP HHSDMA/DHSDM	Application dependent ⁽¹⁾⁽²⁾	Pull-down output at reset
HHSDPB/HHSDMB		
HHSDPC/HHSDMC		

Note 1: Example of USB High Speed Host connection: Refer to [Section 35. USB Host High Speed Port \(UHPHS\)](#).

Note 2: Typical USB High Speed Device connection: Refer to [Section 34. USB High Speed Device Port \(UDPHS\)](#).

Figure 56-2: Example of USB High Speed Host Connection

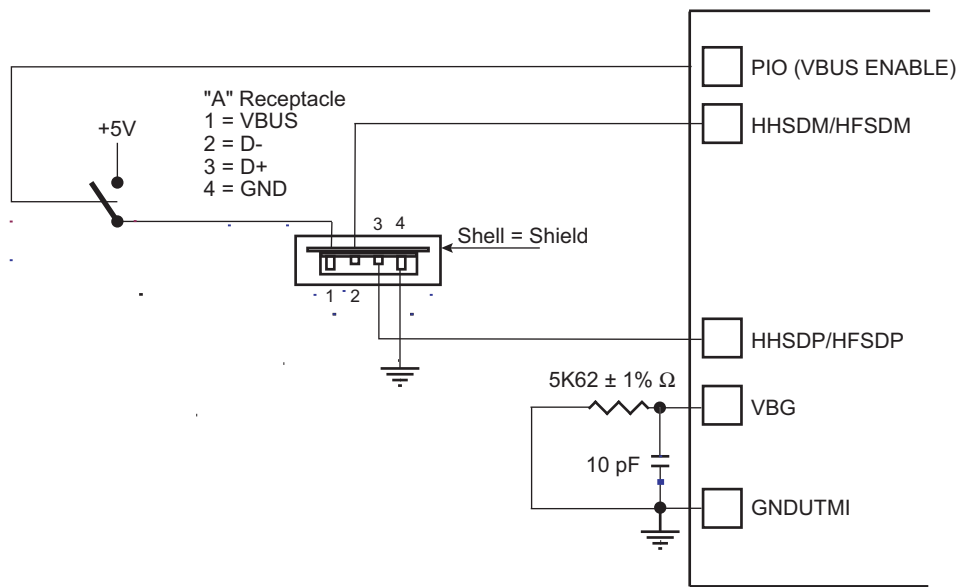
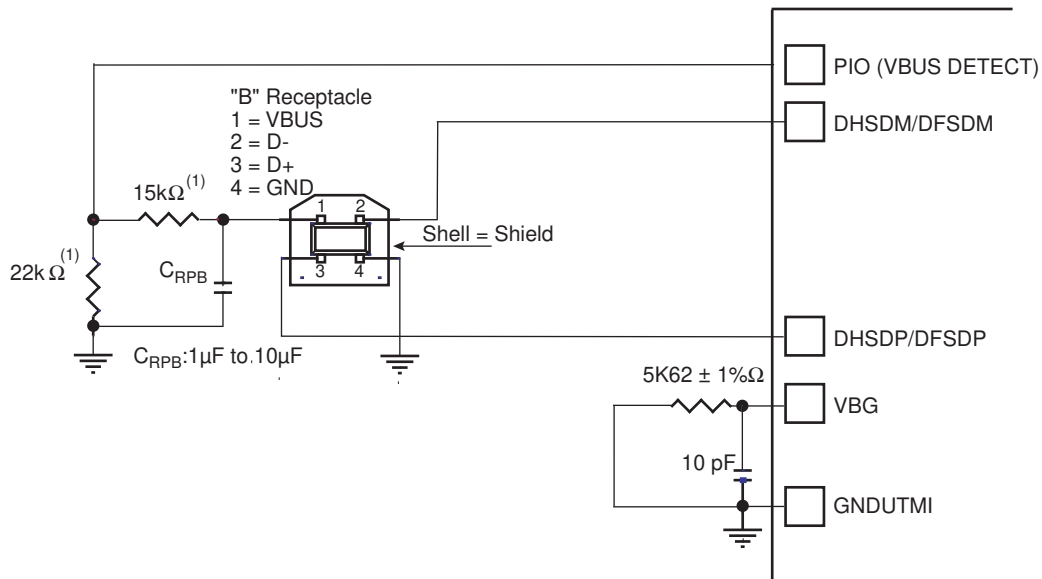


Figure 56-3: Typical USB High Speed Device Connection



Note 1: The values shown on the 22 kΩ and 15 kΩ resistors are only valid with 3.3V supplied PIOs.

56.11 EBI and DDR2/LPDDR/LPDDR2 Hardware Interface

Table 56-10, Table 56-11 and Table 56-12 detail the connections to be applied between the EBI/DDR2 pins and the external devices for each Memory Controller.

Table 56-10: EBI Pins and External Static Devices Connections

Signals: EBI_	Pins of the SMC Interfaced Device		
	8-bit Static Device	2 x 8-bit Static Devices	16-bit Static Device
D0–D7	D0–D7	D0–D7	D0–D7
D8–D15	–	D8–D15	D8–D15
A0/NBS0	A0	–	NLB
A1	A1	A0	A0
A2–A22	A[2:22]	A[1:21]	A[1:21]
A23–A25	A[23:25]	A[22:24]	A[22:24]
NCS0	CS	CS	CS
NCS1	CS	CS	CS
NCS2	CS	CS	CS
NCS3/NANDCS	CS	CS	CS
NRD/NANDOE	OE	OE	OE
NWE/NWR0/NANDWE	WE	WE ⁽¹⁾	WE
NWR1/NBS1	–	WE ⁽¹⁾	NUB

Note 1: NWR0 enables lower byte writes. NWR1 enables upper byte writes.

Table 56-11: EBI Pins and External Device Connections

Signals: EBI_	Pins of the NFC Interfaced Device	
	8-bit NAND Flash	16-bit NAND Flash
D0–D7	NFD0–NFD7	NFD0–NFD7
D8–D15	–	NFD8–NFD15
A21/NANDALE	ALE	ALE
A22/NANDCLE	CLE	CLE
NRD/NANDOE	RE	RE
NWE/NWR0/NANDWE	WE	WE
NCS3/NANDCS	CE	CE
NANDRDY	R/B#	R/B#
A0/NBS0	–	–
A1–A20	–	–
A23–A25	–	–
NWR1/NBS1	–	–
NCS0	–	–
NCS1	–	–
NCS2	–	–

SAMA5D3 SERIES

Table 56-11: EBI Pins and External Device Connections

Signals: EBI_	Pins of the NFC Interfaced Device	
	8-bit NAND Flash	16-bit NAND Flash
NWAIT	–	–

Table 56-12: DDR2 I/O Lines Usage vs Operating Modes

Signal Name	DDR2 Mode	LPDDR2 Mode	LPDDR
DDR_VREF	VDDIODDR/2	VDDIODDR/2	VDDIODDR/2
DDR_CALP	GND via 200Ω resistor	GND via 240Ω resistor	GND via 200Ω resistor
DDR_CALN	VDDIODDR via 200Ω resistor	VDDIODDR via 240Ω resistor	VDDIODDR via 200Ω resistor
DDR_CK, DDR_CKN	CLK and CLKN	CLK and CLKN	CLK and CLKN
DDR_CKE	CLKE	CLKE	CLKE
DDR_CS	CS	CS	CS
DDR_BA[2..0]	BA[2..0]	BA[2..0]	BA[2..0]
DDR_WE	WE	CA2	WE
DDR_RAS–DDR_CAS	RAS, CAS	CA0, CA1	RAS, CAS
DDR_A[13..0]	A[13:0]	CAx, with x>2	A[13:0]
DDR_D[31..0]	D[31:0]	D[31:0]	D[31:0]
DQS[3..0], DQSN[3..0]	DQS[3:0] DQSN connected to DDR_VREF	DQS[3:0] DQSN[3:0]	DQS[3:0] DQSN connected to DDR_VREF
DQM[3..0]	DQM[3..0]	DQM[3..0]	DQM[3..0]

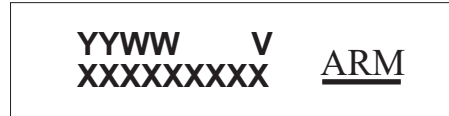
56.12 Boot Program Hardware Constraints

Refer to [Section 11. Standard Boot Strategies](#).

57. Marking

All devices are marked with the company logo and the ordering code.

Additional marking may be in one of the following formats:



where

- “YY”: manufactory year
- “WW”: manufactory week
- “V”: revision
- “XXXXXXXXX”: lot number

SAMA5D3 SERIES

58. Ordering Information

Table 58-1: SAMA5D3 Ordering Information

Ordering Code	Package	Carrier Type	Operating Temperature Range
ATSAMA5D31A-CU	LFBGA324	Tray	Industrial -40°C to 85°C
ATSAMA5D31A-CUR		Tape and Reel	
ATSAMA5D31A-CFU	TFBGA324	Tray	
ATSAMA5D31A-CFUR		Tape and Reel	
ATSAMA5D33A-CU	LFBGA324	Tray	
ATSAMA5D33A-CUR		Tape and Reel	
ATSAMA5D34A-CU		Tray	
ATSAMA5D34A-CUR		Tape and Reel	
ATSAMA5D35A-CU		Tray	
ATSAMA5D35A-CUR		Tape and Reel	
ATSAMA5D36A-CU		Tray	
ATSAMA5D36A-CUR		Tape and Reel	
ATSAMA5D35A-CN		Tray	Industrial -40°C to 105°C
ATSAMA5D35A-CNR		Tape and Reel	
ATSAMA5D36A-CN		Tray	
ATSAMA5D36A-CNR		Tape and Reel	

59. Errata

The present errata provide information on SAMA5D3 series Rev. A parts.

59.1 Standard Boot Strategies

59.1.1 Boot ROM: Xmodem is not working

Due to a bug in the ROM code, Xmodem is not working.

Problem Fix/Workaround

None.

59.1.2 Boot ROM: Boot on MCI1 is not working

Boot on MCI1 is not working.

Problem Fix/Workaround

Use a different boot media.

59.1.3 Boot ROM: NAND Flash detection using ONFI parameters does not work

During NAND Flash initialization, the ONFI parameter detection may not work correctly. This can lead to incorrect configuration of ECC settings and to reading wrong data from the NAND flash memory, thus making it impossible to boot from this memory.

Problem Fix/Workaround

When programming the bootable program in the NAND Flash, always use the header method, with any NAND flash memory, ONFI compliant or not.

59.2 Advanced Interrupt Controller (AIC)

59.2.1 AIC: Interrupt vectoring

The AIC_IVR mapping (mapped at absolute address 0xFFFF_F010) does not allow to use the single instruction "LDR PC,[PC,# -&F20]" to branch to the interrupt handler.

Problem Fix/Workaround

Load the PC with the absolute address of the interrupt handler.

59.3 Watchdog Timer (WDT)

59.3.1 WDT: WDRPROC = 1 leads to unpredictable behavior

A Processor Reset not generated in conjunction with PERRST leads to Unpredictable Behavior. That is the reason why the Watchdog must not activate the processor reset only. WDRPROC bit must not be set in WDT_MR.

Problem Fix/Workaround

Use only WDRPROC = 0, leading to activate all resets on Watchdog fault if WDRRSTEN is set.

59.4 Multi-port DDR-SDRAM Controller (MPDDRC)

59.4.1 MPDDRC: LPDDR2 Refresh per bank is not working

The refresh per bank function for 8-bank LPDDR2 memories is not functional.

The bit REF_PB in the MPDDRC_RTR must be set to 0 (reset value).

Problem Fix/Workaround

None.

59.4.2 MPDDRC: Self-refresh mode is not working with LPDDR1-SDRAM

Self-refresh mode cannot be entered when MPDDRC is configured for LPDDR1-SDRAM (MPDDRC_MD.MD = 3).

Problem Fix/Workaround

The sequence of steps to enter self-refresh mode with LPDDR1-SDRAM is the following:

1. User must ensure there will be no activity on LPDDR1-SDRAM before to program self-refresh mode
2. Program self-refresh mode (MPDDRC_LPR.LPCB = 1)
3. Configure MPDDRC for DDR2-SDRAM (MPDDRC_MD.MD = 6)
4. Configure MPDDRC for LPDDR1-SDRAM (MPDDRC_MD.MD = 3)

Self-refresh mode is active, CKE is driven low.

5. To exit self-refresh mode, before any access to LPDDR1-SDRAM, Self-refresh must be disabled (MPDDRC_LPR.LPCB = 0) .

59.4.3 MPDDRC: The automatic self-refresh of the DDR controller is not working

The automatic self-refresh mode (MPDDRC_LPR.LPCB = 1) is not working.

The problem happens when a DDR access occurs while the memory is entering the self-refresh mode.

In that case, the MPDDRC generates a power down sequence to optimize the access but the sequence is wrong.

Problem Fix/Workaround

The only way to work around the automatic self-refresh when the chip is in run mode is by using the POWER DOWN mode.

The self-refresh mode can be used when entering one of the low power modes of the chip. The code allowing to enter and resume from self-refresh mode must be located in internal SRAM and the user must ensure that no access is performed on DDR memory.

MPDDRC_LPR.LPCB must be set when entering the low power mode and reset when resuming.

59.5 Static Memory Controller (SMC)

59.5.1 SMC: ECC Value after ERASE is not correct

When ERASE page command is issued, the NAND Flash page resets to "ALL_ONE" pattern. The ECC value of ALL_ONE is a fixed but non-zero pattern leading to error detection after page erase.

Problem Fix/Workaround

None.

59.6 DMA Controller (DMAC)

59.6.1 DMAC: Not possible to enable write protection on DMAC0 and DMAC1

Writing DMAC_WPMR has no effect, so it is not possible to enable write protection on DMAC0 and DMAC1.

Problem Fix/Workaround

None.

59.6.2 DMAC: Not possible to transfer data with DMA to the SHA when SHA384 or SHA512 algorithm is selected

It is not possible to transfer data with the DMA to the SHA when the selected algorithms are SHA384 and SHA512.

Other SHA algorithms (SHA1 to SHA256) are not affected.

Problem Fix/Workaround

None.

59.7 LCD Controller (LCDC)

59.7.1 LCDC: LCDC PWM is not usable with DIV_1

When PWMPS field is set to DIV_1 value, the PWM output is stuck.

It works fine for every other divider (DIV_2 up to DIV_64).

Problem Fix/Workaround

None.

59.8 USB Host High Speed Port (UHPHS)

59.8.1 UHPHS: USB Host Power Consumption in EHCI Mode

When the USB host ports are used in high speed mode (EHCI), it is not possible to suspend the ports if no device is attached on each port. This leads to increased power consumption even if the system is in a low power mode.

This issue is not present in full speed mode (OHCI).

Problem Fix/Workaround

None.

59.9 Gigabit Ethernet MAC (GMAC)

59.9.1 GMAC: TX packet buffer DMA lockup when reading used status

In the following conditions:

- Frame N-1 has completed the transmission on GMII and its post-transmit status has been passed from the MAC to DMA.
- The descriptor write back for frame N-1 has been requested on AHB and is awaiting completion.
- Frame N has completed the transmission on GMII and its post-transmit status has been passed from the MAC to DMA.
- A “used” bit has been read from the buffer descriptor queue after the descriptors associated with frame N. This means a buffer descriptor with bit [31] set in word 1 of the descriptor pair.
- Status associated with this used bit is passed from MAC to DMA on the exact AHB clock cycle that the writeback request for frame N-1 completes (either; BREADY high in the case of HREADY or high in the data phase in the case of AHB).

When this precise sequence occurs, the AHB write back request for frame N never actually occurs, but the TX DMA state machine waits in the DMA_MANWR state, awaiting the AHB response for the write. This response never happens since the request was never sent.

Problem Fix/Workaround

1. Avoid the issue by sending only one frame at a time.

To send only a single frame at a time, each frame queued in the descriptor buffers must be followed by a buffer descriptor with the used bit set. GEM will send the frame and then halt and update status. Once frame status indicates that the frame has completed, then a new frame may be queued and transmit DMA restarted.

2. Avoid issue by changing used bit status to exhausted mid-frame status.

For this workaround the buffer descriptors with used bit set, that mark the end of the queues are replaced with two zero length descriptors with particular bits set or clear. The effect is an exhausted mid-frame status instead of the usual used bit read status.

This requires changes to SW for adding new frames to queues.

For this discussion, assume that the last descriptor associated with the last valid frame queued is descriptor N, which is at address offset X from the queue base pointer.

Currently the end of the queue is marked with descriptor N+1 with its used bit set as follows:

- descriptor N:
 - X+0x00: FC800000
 - X+0x04: 0000803C - Last frame queued
- descriptor N+1:
 - X+0x08: xxxxxxxx
 - +0x0C: 8xxxxxxx - Used bit set ('x' is a don't care value)

For the workaround buffer descriptor N+1 and also N+2 should be replaced with the following:

- descriptor N:
 - X+0x00: FC800000
 - X+0x04: 0000803C - Last frame queued
- descriptor N+1:
 - X+0x08: 00000000
 - X+0x0C: 00000000
- descriptor N+2:
 - X+0x10: 00000000
 - X+0x14: 80008000 - last buffer and used bit set

SAMA5D3 SERIES

59.9.2 GMAC: TX packet buffer DMA writeback status overflow

The issue occurs due to an overflow of the pipeline for the post-transmit status that is returned from the read side of the packet buffer memory back to the write side.

Problem Fix/Workaround

As there are four pipeline stages, having only three outstanding frames at any one time will avoid the issue.

59.9.3 GMAC: Bad association of timestamps and PTP packets

An issue in the association mechanism between event registers and queued PTP packets may lead to timestamps incorrectly associated with these packets.

Even if it is highly unlikely to queue consecutive packets of the same type, there is no way to know to which frame the content of the PTP event registers refers.

Problem Fix/Workaround

None.

59.10 PWM Controller (PWM)

59.10.1 PWM: Wrong counter event

A synchronous channel (but not channel 0) can generate a wrong counter event, which does not match the alignment configuration of the channel 0.

The issue occurs if the alignment configuration of the channel is different from that of channel 0.

Problem Fix/Workaround

None.

59.11 Universal Synchronous Asynchronous Receiver Transmitter (USART)

59.11.1 USART: USART Framing error not detected if last data bit is 1

If a bad frame is received (incorrect baud rate) with the last data bit being sampled at 1, there is no detection of frame error.

Problem Fix/Workaround

There is no general fix. When performing baud rate detection with receive part, the transmit frame must be sent with a parity bit set to 0.

60. Revision History

In the tables that follow, the most recent version of the document appears first.

Table 60-1: SAMA5D3 Datasheet Rev. DS60001609A Revision History

Date	Comments
Feb-2020	<ul style="list-style-type: none"> – Template update: Moved from Atmel to Microchip template. – The datasheet is assigned a new document number (DS60001609) and revision letter is reset to A. --- Document number DS60001609 revision A corresponds to what would have been 11121 revision G. – ISBN number assigned.
	<p>Section 3. Package and Pinout: Table 3-1 SAMA5D3 Pinout for 324-ball LFBGA Package and Table 3-2 SAMA5D3 Pinout for 324-ball TFBGA Package: modified detail on Reset State for PE26. Added table note on Reset State. Added GMAC to Table 3-3 SAMA5D3 I/O Type Description.</p>
	<p>Section 4. Power Considerations: updated description of Table 4-1 SAMA5D3 Power Supplies. Updated Section 4.2 Power Sequence Requirements.</p>
	<p>Section 8. Peripherals: updated 'Reserved' PIDs in Table 8-1 Peripheral Identifiers.</p>
	<p>Section 10. Debug and Test: updated Figure 10-1 Debug and Test Block Diagram.</p>
	<p>Section 11. Standard Boot Strategies: updated nbSectorPerPage description in section NAND Flash Specific Header Detection.</p>
	<p>Section 14. Bus Matrix (MATRIX): updated Matrix slaves.</p>
	<p>Section 22. Real-time Clock (RTC): deleted all references to Register Write Protection.</p>
	<p>Section 25. Clock Generator: added CAL field detail in Section 25.5.2 12 MHz RC Oscillator Clock Frequency Adjustment.</p>
	<p>Section 29. Multi-port DDR-SDRAM Controller (MPDDRC): modified row range in Table 29-8 Interleaved Mapping DDR-SDRAM Configuration Mapping: 8K Rows, 512/1024/2048 Columns, 4 banks.</p>
	<p>Section 33. Image Sensor Interface (ISI): added important note to Section 33.4.2 Power Management.</p>
	<p>Section 36. Gigabit Ethernet MAC (GMAC): updated Section 36.9.10 GMAC Interrupt Status Register, Section 36.9.11 GMAC Interrupt Enable Register, Section 36.9.12 GMAC Interrupt Disable Register, Section 36.9.13 GMAC Interrupt Mask Register with TSUTIMCOMP bit (index 29).</p>
	<p>Section 37. Ethernet 10/100 MAC (EMAC): updated Section 37.4.14 Physical Interface with support for RMII only.</p>
	<p>Section 39. Serial Peripheral Interface (SPI): deleted REQCLR bit in Section 39.8.1 SPI Control Register.</p>
	<p>Section 40. Two-wire Interface (TWI): updated Figure 40-25 Master Performs a General Call. Updated bit descriptions CHDIV, CLDIV in Section 40.8.5 TWI Clock Waveform Generator Register.</p>
	<p>Section 54. Electrical Characteristics: Table 54-2 DC Characteristics: added R_{PULL} for GMAC pads. Section 54.16 SSC Timings: updated Figure 54-23 SSC Transmitter, TK and TF in Input; updated Table 54-60 SSC Timings with 3.3V Peripheral Supply and Table 54-61 SSC Timings with 1.8V Peripheral Supply. Added Section 54.20 USART in Asynchronous Modes. Table 54-73 Two-wire Serial Bus Requirements: updated formulae in Note ⁽²⁾.</p>
	<p>Section 55. Mechanical Characteristics: added reference to Microchip Packaging Specification.</p>
<p>Section 56. Schematic Checklist: updated Description for VDDIOM in Table 56-1 Power Supply Connections.</p>	
<p>Section 59. Errata: Added errata: Section 59.6.2 DMAC: Not possible to transfer data with DMA to the SHA when SHA384 or SHA512 algorithm is selected Section 59.9.3 GMAC: Bad association of timestamps and PTP packets Section 59.11.1 USART: USART Framing error not detected if last data bit is 1</p>	

SAMA5D3 SERIES

Table 60-2: SAMA5D3 Datasheet Rev. 11121F Revision History

Date	Comments
02-Feb-16	General formatting and editorial changes throughout
	<p>Section “Features”:</p> <p>Under “Memories”, updated description of 32-bit Multi-port Dynamic RAM Controller to specify support for 32-bit or 2x16-bit memories</p>
	<p>Section 1. “Block Diagram”</p> <p>Figure 1-1 “SAMA5D3 Block Diagram⁽¹⁾”: added “Backup Section” label; pin name “TSADTRIG” corrected to “ADTRG”; pin name “TSADVREF” corrected to “ADVREF”</p>
	<p>Section 3. “Package and Pinout”</p> <p>Table 3-4 “SAMA5D3 I/O Type Assignment and Frequency”: in SYSC row, corrected “WKUP, SHDN, JTAGSEL, TST, SHDN” to “WKUP, SHDN, JTAGSEL, TST”</p>
	<p>Section 4. “Power Considerations”</p> <p>Table 4-1 “SAMA5D3 Power Supplies”: in VDDIOM row, acronym ‘HSMC’ changed to ‘SMC’</p> <p>Transferred Table 54-42 “Power-up Timing Specification” and Table 54-43 “Power-down Timing Specification” to Section 54.12.1 “Core Power Supply POR Characteristics”</p>
	<p>Section 5. “Memories”</p> <p>Section 5.2.2 “Static Memories and NAND Flash”: acronym ‘HSMC’ changed to ‘SMC’</p> <p>Figure 5-1 “Memory Mapping”:</p> <ul style="list-style-type: none"> - under Peripheral Mapping, acronym ‘TSADC’ changed to ‘ADC’ - under System Controller Mapping, acronym ‘HSMC’ changed to ‘SMC’
	<p>Section 8. “Peripherals”</p> <p>Table 8-1 “Peripheral Identifiers”: for ID 5, acronym ‘HSMC’ changed to ‘SMC’</p>
	<p>Section 11. “Standard Boot Strategies”</p> <p>Section 11.1 “Description”:</p> <ul style="list-style-type: none"> - corrected application note title “Secure Boot on SAMA5D3 Series” to “SAMA5D3x Secure Boot Strategy” - instances of “BMS_EBI bit” and “BMS_BIT” corrected to “BMS bit” <p>Section 11.3 “Chip Setup”: updated step 5 (“PLLA Initialization”)</p> <p>Section 11.4.3.1 “ARM Exception Vectors Check”: updated example at end of section</p>
	<p>Section 14. “Bus Matrix (MATRIX)”</p> <p>Section 14.1 “Description”: restored Section 14.1.1 “Matrix Masters”, Section 14.1.2 “Matrix Slaves”, and Section 14.1.3 “Master to Slave Access” (inadvertently removed in the SAMA5D3 datasheet Rev. E)</p> <p>Updated Table 14-3 “Master to Slave Access”</p>
	<p>Section 15. “Special Function Registers (SFR)”</p> <p>Table 15-1 “Register Mapping”: added footnote “If an offset is not listed in the table it must be considered as reserved.”</p>
<p>Section 16. “Advanced Interrupt Controller (AIC)”</p> <p>Section 16.8.3 “Normal Interrupt”: removed section “Interrupt Vectoring”; updated Section 16.8.3.3 “Interrupt Handlers”</p> <p>Section 16.8.4 “Fast Interrupt”: removed section “Fast Interrupt Vectoring”; updated Section 16.8.4.3 “Fast Interrupt Handlers”</p>	

Table 60-2: SAMA5D3 Datasheet Rev. 11121F Revision History (Continued)

Date	Comments
02-Feb-16	<p>Section 17. “Watchdog Timer (WDT)”</p> <p>Section 17.1 “Description”: in last sentence, “debug mode or idle mode” changed to “Debug mode or Sleep mode (Idle mode)”</p> <p>Section 17.4 “Functional Description”:</p> <ul style="list-style-type: none"> - inserted sentence “When setting the WDDIS bit, and while it is set, the fields WDV and WDD must not be modified.” - in last sentence, “debug state or in idle mode” changed to “debug state or in Sleep mode” <p>Section 17.5.1 “Watchdog Timer Control Register”: added note on modification of WDT_CR values</p> <p>Section 17.5.2 “Watchdog Timer Mode Register”: updated note on modification of WDT_MR values; added note to WDDIS bit description</p>
	<p>Section 19. “Shutdown Controller (SHDWC)”</p> <p>Updated Section 19.2 “Embedded Characteristics”</p>
	<p>Section 20. “General Purpose Backup Registers (GPBR)”</p> <p>Updated Section 20.1 “Description” and Section 20.2 “Embedded Characteristics”</p>
	<p>Section 22. “Real-time Clock (RTC)”</p> <p>Section 22.1 “Description”: in second paragraph, “a two-hundred-year Gregorian calendar” changed to “a Gregorian calendar”</p> <p>Updated Section 22.2 “Embedded Characteristics”</p> <p>Section 22.5 “Functional Description”: “The valid year range is 1900 to 2099 in Gregorian mode, a two-hundred-year calendar” changed to “The valid year range is up to 2099 in Gregorian mode”</p> <p>Table 22-2 “Register Mapping”: added offset 0xCC as reserved</p> <p>Section 22.6.1 “RTC Control Register”: updated descriptions of bits UPDTIM, UPDCAL and CALEVSEL</p> <p>Section 22.6.3 “RTC Time Register”: deleted sentence “All non-significant bits read zero.”</p> <p>Section 22.6.4 “RTC Calendar Register”: updated CENT field description; deleted sentence “All non-significant bits read zero.”</p>
	<p>Section 23. “Slow Clock Controller (SCKC)”</p> <p>Updated Section 23.1 “Description”</p> <p>Updated Section 23.4 “Functional Description”</p>
	<p>Section 25. “Clock Generator”</p> <p>Updated Section 25.2 “Embedded Characteristics”</p> <p>Figure 25-1 “Clock Generator Block Diagram”: updated oscillator descriptions</p> <p>Figure 25-3 “Main Clock Block Diagram”: removed “MOSCRCF” block</p> <p>Removed section “Main Clock Selection”</p> <p>Added Section 25.4 “Slow Clock”</p> <p>Revised Section 25.5 “Main Clock”</p> <p>Section 25.7 “UTMI Phase Lock Loop Programming”: updated first and second paragraphs</p>
	<p>Section 26. “Power Management Controller (PMC)”</p> <p>Section 26.2 “Embedded Characteristics”: in Processor Clock bullet, “when entering the processor in Sleep Mode” changed to “when processor is entering Idle mode”</p> <p>Figure 26-1 “General Clock Block Diagram”: added signal from PMC_MCKR to DDRCK</p> <p>Section 26.4 “Master Clock Controller”: inserted note relative to modification of fields MDIV and CSS</p> <p>Updated Section 26.5 “Processor Clock Controller”</p> <p>Revised Section 26.6 “LCDC Clock Controller”</p>

SAMA5D3 SERIES

Table 60-2: SAMA5D3 Datasheet Rev. 11121F Revision History (Continued)

Date	Comments
	<p>Section 26. “Power Management Controller (PMC)” (cont’d)</p> <p>Section 26.13 “Main Clock Failure Detector”: changed title (was “Main Crystal Clock Failure Detector”) and updated text</p> <p>Updated Section 26.14 “Programming Sequence”</p> <p>Section 26.16 “Register Write Protection”: added PMC Clock Generator Main Oscillator Register to list of protectable registers</p> <p>Updated LCDCK bit description in Section 26.17.1 “PMC System Clock Enable Register”, Section 26.17.2 “PMC System Clock Disable Register” and Section 26.17.3 “PMC System Clock Status Register”</p> <p>Section 26.17.8 “PMC Clock Generator Main Oscillator Register”: added sentence about disabling write protection; updated field descriptions</p> <p>Section 26.17.10 “PMC Clock Generator PLLA Register”: removed warning text about setting bit 29</p> <p>Section 26.17.11 “PMC Master Clock Register”: updated descriptions of fields CSS and MDIV</p> <p>Added MOSCRCS bit in Section 26.17.15 “PMC Interrupt Enable Register”, Section 26.17.16 “PMC Interrupt Disable Register”, Section 26.17.17 “PMC Status Register” and Section 26.17.18 “PMC Interrupt Mask Register”</p> <p>Section 26.17.26 “PMC Peripheral Control Register”: updated descriptions of fields PID and DIV</p>
	<p>Section 28. “External Memories”</p> <p>Static Memory Controller acronym “HSMC” changed to “SMC”</p> <p>Updated second paragraph to specify support for 32-bit or 2x16-bit memories</p>
02-Feb-16	<p>Section 29. “Multi-port DDR-SDRAM Controller (MPDDRC)”</p> <p>Section 29.2 “Embedded Characteristics”:</p> <ul style="list-style-type: none"> - in third bullet, changed “Supports low-power DDR2-SDRAM-S4” to “Supports 32-bit or 2x16-bit low-power low-power DDR2-SDRAM-S4” - under configurations supported, inserted “DDR-SDRAM with two or four internal banks (low-power DDR1-SDRAM)” <p>Updated Figure 29-1 “MPDDRC Module Diagram”</p> <p>Updated Section 29.4.1 “Low-power DDR1-SDRAM Initialization”, Section 29.4.2 “DDR2-SDRAM Initialization” and Section 29.4.3 “Low-power DDR2-SDRAM Initialization”</p> <p>Added Table 29-1 “CAS Write Latency” and Table 29-2 “CAS Read Latency”</p> <p>Figure 29-2 “Single Write Access, Row Closed, DDR-SDRAM Devices” to Figure 29-8 “SINGLE Write Access Followed by a Read Access, DDR2-SDRAM Devices”: “D[15:0]” changed to “DATA”</p> <p>Updated Section 29.5.3.2 “Power-down Mode”</p> <p>Table 29-5 “Sequential Mapping DDR-SDRAM Configuration Mapping: 4K Rows, 256/512/1024/2048 Columns, 4 banks”: updated to add “256” to possible number of columns</p> <p>Table 29-6 “Interleaved Mapping DDR-SDRAM Configuration Mapping: 4K Rows, 256/512/1024/2048 Columns, 4 banks”: updated to add “256” to possible number of columns</p> <p>Section 29.7.3 “MPDDRC Configuration Register”: modified NC bit description</p> <p>Section 29.7.7 “MPDDRC Low-power Register”: updated description of fields DS, TIMEOUT and UPD_MR</p> <p>Section 29.7.8 “MPDDRC Memory Device Register”: updated DBW field description</p> <p>Section 29.7.10 “MPDDRC Low-power DDR2 Low-power Register”: updated DS field description; deleted “SR: Slew Rate” field description</p> <p>Section 29.7.13 “MPDDRC I/O Calibration Register”: updated RDIV field description</p> <p>Section 29.7.19 “MPDDRC DLL Master Offset Register”: inserted sentence about required key; updated descriptions of fields MOFF, CLK90OFF and SELOFF</p>

Table 60-2: SAMA5D3 Datasheet Rev. 11121F Revision History (Continued)

Date	Comments
02-Feb-16	<p>Section 30. “Static Memory Controller (SMC)”</p> <p>Removed acronym HSMC from full register names (e.g., “HSMC NFC Configuration Register” now “NFC Configuration Register”; “HSMC_CFG” remains unchanged)</p> <p>Section 30.2 “Embedded Characteristics”: added bullet “8 Kbytes NFC SRAM”</p> <p>Figure 30-1 “Block Diagram”: deleted “(8 Kbytes)” from NFC Internal SRAM block</p> <p>Added Table 30-3 “I/O Lines”</p> <p>Section 30.7.3 “Interrupt Sources”: changed title (was “Interrupt”) and added Table 30-4 “Peripheral IDs”</p> <p>Section 30.17.4.1 “NFC SRAM Mapping”: in second paragraph, deleted sentence “The NFC SRAM size is 8 Kbytes”</p> <p>Table 30-21 “Register Mapping”:</p> <ul style="list-style-type: none"> - removed reset value from HSMC_CTRL (register is write-only) - for HSMC_SIGMA0, access “Read/Write” changed to “Read-only” - for HSMC_ELSR, HSMC_ELIMR, and HSMC_ELISR, access “Read” corrected to “Read-only” <p>Added Section 30.20.30 “PMECC Error Location SIGMA0 Register”</p> <p>Section 30.20.31 “PMECC Error Location SIGMAx Register”: changed index “[x=0..24]” to “[x=1..24]”</p>
	<p>Section 31. “DMA Controller (DMAC)”</p> <p>Transferred “Register Write Protection” into Section 31.6 “Functional Description”</p> <p>Section 31.6.5 “Programming a Channel”: corrected register names in second paragraph</p> <p>Section • “Multi-buffer Transfer with Source Address Auto-reloaded and Linked List Destination Address (Row 6)”: corrected register names in Step 8., in Step 12., and in note below Step 15.</p> <p>Section 31.6.6 “Disabling a Channel Prior to Transfer Completion”: in third paragraph, “DMAC_CTLx.DST_WIDTH” corrected to “DMAC_CTRLAx.DST_WIDTH”</p> <p>Section 31.7 “DMAC Software Requirements”: deleted bullet referencing “hardware handshake interface protocol”</p>
	<p>Section 32. “LCD Controller (LCDC)”</p> <p>Figure 32-1 “Block Diagram”: added “OVRx: Overlay” in legend</p> <p>Section 32.5.3 “Interrupt Sources”: “Advanced Interrupt Controller” and “AIC” changed to “interrupt controller”</p>
	<p>Section 34. “USB High Speed Device Port (UDPHS)”</p> <p>Updated Figure 34-2 “Board Schematic”</p>
	<p>Section 35. “USB Host High Speed Port (UHPHS)”</p> <p>Section 35.5.2 “Power Management”: deleted instances of “bit (1 << AT91C_ID_UHPHS)” in High-speed and OHCI Full-speed sequence lists</p> <p>Added Section 35.7 “USB Host High Speed Port (UHPHS) User Interface”</p>
	<p>Section 36. “Gigabit Ethernet MAC (GMAC)”</p> <p>Section 36.1 “Description”: deleted “The GMAC comprises two constituent components:” and associated two bullets</p> <p>Section 36.5.2 “Power Management”: deleted instance of “(PMC_PCER)” from end of text</p> <p>Section 36.5.3 “Interrupt Sources”: “Advanced Interrupt Controller” changed to “interrupt controller”</p> <p>Section 36.6.14 “IEEE 1588 Support”:</p> <ul style="list-style-type: none"> - in 2nd paragraph, “GMAC output pins indicate” changed to “The GMAC indicates” - in 7th paragraph, deleted instance of “GMAC_TSSx” <p>Updated Section 36.6.15 “Timestamp Unit”</p>
	<p>Section 37. “Ethernet 10/100 MAC (EMAC)”</p> <p>Section 37.4.13 “PHY Maintenance”: at end of section, “For a description of MDC generation, see Section 38.6.1 “Network Control Register.”” corrected to “For a description of MDC generation, see Section 37.6.2 “Network Configuration Register.””</p>

SAMA5D3 SERIES

Table 60-2: SAMA5D3 Datasheet Rev. 11121F Revision History (Continued)

Date	Comments
02-Feb-16	<p>Section 39. “Serial Peripheral Interface (SPI)”</p> <p>Table 39-5 “Register Mapping”: for chip select registers, replaced fixed offsets with single equation</p> <p>Section 39.7.3 “Master Mode Operations”: in third paragraph, modified transmission condition description</p> <p>Section 39.8.1 “SPI Control Register”: added REQCLR bit</p>
	<p>Section 40. “Two-wire Interface (TWI)”</p> <p>Section 40.7.3 “Master Mode”: removed section “Application Block Diagram”</p> <p>Section 40.7.3.3 “Master Transmitter Mode” and Section • “Read Sequence”: added note on clearing TXRDY flag</p> <p>Section • “10-bit Slave Addressing”: removed reference to “Atmel AT24LC512 EEPROM”</p> <p>Section 40.7.3.6 “Using the DMA Controller”: replaced two instances of “DMA BTC flag” with “DMA buffer transfer complete flag”</p> <p>Section 40.7.5 “Slave Mode”: removed section “Application Block Diagram”</p> <p>Section 40.7.5.5 “Using the DMA Controller”: replaced two instances of “DMA BTC flag” with “DMA buffer transfer complete flag”</p> <p>Section 40.8.5 “TWI Clock Waveform Generator Register”: in CKDIV field description, changed “The TWCK is used to increase both SCL high and low periods” to “The CKDIV field is used to increase both TWCK high and low periods”</p>
	<p>Section 42. “Debug Unit (DBGU)”</p> <p>Table 42-3 “Register Mapping”: added reset value 0x8A5C07C2 to DBGU_CIDR</p>
	<p>Section 44. “Universal Synchronous Asynchronous Receiver Transmitter (USART)”</p> <p>Section 44.5.1 “I/O Lines”: Deleted paragraph “To prevent the TXD line ...”</p> <p>Figure 44-2 “Baud Rate Generator”: added caption “Selected Clock” to USCLKS mux output</p> <p>Section • “Baud Rate Calculation Example”: in baud rate calculation formula, replaced “$f_{\text{peripheral clock}}$” with “Selected Clock”</p> <p>Figure 44-3 “Fractional Baud Rate Generator”: added caption “Selected Clock” to USCLKS mux output</p> <p>Section 44.6.1.2 “Fractional Baud Rate in Asynchronous Mode”: added warning to end of section</p> <p>Section 44.6.1.3 “Baud Rate in Synchronous Mode or SPI Mode”: updated content in 2nd paragraph</p> <p>Section 44.6.3.4 “Manchester Decoder”: in 5th paragraph, “MANE flag” corrected to “MANERR” flag</p> <p>Figure “Receiver Behavior when Operating with Hardware Handshaking” replaced by Figure 44-27 “RTS Line Software Control when US_MR.USART_MODE = 2”</p> <p>Section 44.6.7.5 “Character Transmission”:</p> <ul style="list-style-type: none"> - after 1st paragraph, inserted “The chip select line is de-asserted for a period equivalent to three bits between the transmission of two data.” - in 6th paragraph, bit name RTSEN corrected to RCS and bit name RTSDIS corrected to FCS <p>Section 44.7.3 “USART Mode Register”: updated descripiton for value 0xE, SPI_MASTER</p> <p>Added bit NSSE (register bit 19) in Section 44.7.6 “USART Interrupt Enable Register (SPI_MODE)”, Section 44.7.8 “USART Interrupt Disable Register (SPI_MODE)” and Section 44.7.10 “USART Interrupt Mask Register (SPI_MODE)”</p> <p>Section 44.7.12 “USART Channel Status Register (SPI_MODE)”: added bits NSSE (register bit 19) and NSS (register bit 23)</p> <p>Section 44.7.15 “USART Baud Rate Generator Register”: added warning to FP field description</p>
	<p>Section 45. “CAN Controller”</p> <p>Throughout, modified write protection naming:</p> <ul style="list-style-type: none"> - “Write Protected Registers” now “Register Write Protection” - “Write Protect Mode Register” now “Write Protection Mode Register” - “Write Protect Status Register” now “Write Protection Status Register”

Table 60-2: SAMA5D3 Datasheet Rev. 11121F Revision History (Continued)

Date	Comments
02-Feb-16	<p>Section 45. "CAN Controller" (cont'd)</p> <p>Section 45.6.3 "Interrupt Sources": "Advanced Interrupt Controller" changed to "interrupt controller"</p> <p>Section 45.9.1 "CAN Mode Register": removed field RXSYNC (register bits 26:24 now reserved)</p> <p>Section 45.9.5 "CAN Status Register": updated bit descriptions</p> <p>Section 45.9.12 "CAN Write Protection Mode Register": updated descriptions of WPEN bit and WPKEY field</p> <p>Section 45.9.13 "CAN Write Protection Status Register": updated description of WPVSRC field</p> <p>Section 45.9.15 "CAN Message Acceptance Mask Register": updated descriptions of fields MIDvB and MIDvA</p> <p>Section 45.9.18 "CAN Message Status Register":</p> <ul style="list-style-type: none"> - below bitmap, deleted "MMI is cleared by reading the CAN_MSRx. MRDY, MABT are cleared by writing MTCR or MACR in the CAN_MCRx." - updated descriptions of bits MABT and MRDY <p>Section 45.9.21 "CAN Message Control Register": updated MACR bit description</p>
	<p>Section 47. "Timer Counter (TC)"</p> <p>Section 47.2 "Embedded Characteristics":</p> <ul style="list-style-type: none"> - "Total number of TC channels" changed to "Total number of TC channels implemented on this device" - added bullet "Compare event fault generation for PWM" <p>Updated Figure 47-1 "Timer Counter Block Diagram"</p> <p>Reformatted and renamed Table 47-2 "Channel Signal Description"</p> <p>Added Section 47.5.4 "Fault Output"</p> <p>Section 47.6.3 "Clock Selection": updated footnotes</p> <p>Added Section 47.6.15 "Fault Mode"</p> <p>Section 47.6.16 "Register Write Protection": added "TC Fault Mode Register" to list of protectable registers</p> <p>Table 47-6 "Register Mapping": added Fault Mode Register (TC_FMR)</p> <p>Added Section 47.7.15 "TC Fault Mode Register"</p>
	<p>Section 48. "Pulse Width Modulation Controller (PWM)"</p> <p>Section 48.2 "Embedded Characteristics": added bullet "Timer/Counter Driven through Configurable Comparison Function"</p> <p>Section 48.5.3 "Interrupt Sources": deleted sentence "Note that it is not recommended to use the PWM interrupt line in Edge-sensitive mode."</p> <p>Table 48-2 "I/O Lines": deleted row 'PWM / PWMH1 / PB27 / C'</p> <p>Section 48.5.4 "Fault Inputs": added "Timer/Counters" to fault inputs</p> <p>Updated Section 48.6.2.2 "Comparator"</p> <p>Section 48.6.5.1 "Initialization": modified bullet "Enable of the interrupts..."</p> <p>Added reference to Section 48.5.4 "Fault Inputs" in Section 48.7.23 "PWM Fault Mode Register", Section 48.7.24 "PWM Fault Status Register", Section 48.7.25 "PWM Fault Clear Register", Section 48.7.26 "PWM Fault Protection Value Register", and Section 48.7.27 "PWM Fault Protection Enable Register"</p> <p>Corrected PWM period formulas in Section 48.7.39 "PWM Channel Period Register" and Section 48.7.40 "PWM Channel Period Update Register"</p>
	<p>Section 49. "Analog-to-Digital Converter (ADC)"</p> <p>Section 49.2 "Embedded Characteristics": "MHz" corrected to "mSPS" for Conversion Rate</p> <p>Section 49.5 "Product Dependencies": removed section "Analog Inputs"</p> <p>Updated text in Section 49.5.3 "I/O Lines"</p> <p>Section 49.6 "Functional Description": "hold time" renamed to "transfer time"</p>

SAMA5D3 SERIES

Table 60-2: SAMA5D3 Datasheet Rev. 11121F Revision History (Continued)

Date	Comments
	<p>Section 49. “Analog-to-Digital Converter (ADC)” (cont’d)</p> <p>Section 49.6.6 “Conversion Triggers”: pin name “TSADTRG” corrected to “ADTRG”</p> <p>Section 49.6.7 “Sleep Mode and Conversion Sequencer”: deleted “(USCHx field with the lowest x index is associated with bit CHx of the lowest index)” from end of 7th paragraph</p> <p>Updated Section 49.6.9 “Differential Inputs”</p> <p>Section 49.7.2 “ADC Mode Register”: updated descriptions of fields TRACKTIM and TRANSFER</p> <p>Section 49.7.3 “ADC Channel Sequence 1 Register”: updated USCHx field description</p> <p>Section 49.7.4 “ADC Channel Sequence 2 Register”: updated USCHx field description</p> <p>Section 49.7.5 “ADC Channel Enable Register”: updated CHx field description</p>
02-Feb-16	<p>Section 50. “True Random Number Generator (TRNG)”</p> <p>Updated names of referenced test suites in Section 50.1 “Description” and Section 50.2 “Embedded Characteristics”</p> <p>Updated Section 50.5 “Functional Description”</p> <p>Table 50-2 “Register Mapping”: defined offset ranges 0x04–0x0C, 0x20–0x4C and 0x54–0xFC as reserved</p> <p>Removed reset value in Section 50.6.4 “TRNG Interrupt Mask Register”, Section 50.6.5 “TRNG Interrupt Status Register” and Section 50.6.6 “TRNG Output Data Register” (reset values are provided in Table 50-2 “Register Mapping”)</p>
	<p>Section 51. “Advanced Encryption Standard (AES)”</p> <p>Section 51.4.5.2 “DMA Mode”: replaced references to ‘BTC’ with generic terminology</p>
	<p>Section 52. “Triple Data Encryption Standard (TDES)”</p> <p>Updated Section 52.4.2.3 “DMA Mode”</p>
	<p>Section 54. “Electrical Characteristics”</p> <p>Acronym ‘HSMC’ changed to ‘SMC’</p> <p>Table 54-2 “DC Characteristics”: “V_{DDIO}” corrected to “V_{DDOSC}” in conditions for “V_{DDOSC}”</p> <p>Revised Section 54.3.3.3 “Ultra Low-power Mode”</p> <p>Table 54-9 “Processor Clock Waveform Parameters”: in conditions, “T_A = 85°C” corrected to “T_A = 105°C”</p> <p>Table 54-10 “Master Clock Waveform Parameters”: in conditions, “T_A = 85°C” corrected to “T_A = 105°C”</p> <p>Added Table 54-42 “Power-up Timing Specification” and Table 54-43 “Power-down Timing Specification”</p> <p>Table 54-48 “SMC Write Signals - NWE Controlled (WRITE_MODE = 1)”: for SMC₁₈, parameter “NCS_RD_SETUP” corrected to “NCS_WR_SETUP”</p> <p>Section 54.14.3 “Timing Extraction”: added content relative to MISO and MOSI sampling; inserted Figure 54-12 “MISO Capture in Master Mode”</p>
	<p>Section 55. “Mechanical Characteristics”</p> <p>Figure 55-1 “324-ball LFBGA Package Drawing”: dimension ‘E’ minimum value 0.5866 inches corrected to 0.5886 inches</p>
	<p>Section 56. “Schematic Checklist”</p> <p>Table 56-7 “ADC Connections”: pin name “TSADVREF” corrected to “ADVREF”</p> <p>Section 56.12 “Boot Program Hardware Constraints”: removed content redundant with Section 11. “Standard Boot Strategies”</p>
	<p>Section 59. “Errata”</p> <p>Section 59.5 “Static Memory Controller (SMC)”: acronym ‘HSMC’ changed to ‘SMC’</p> <p>Added Section 59.4.3 “MPDDRC: The automatic self-refresh of the DDR controller is not working”</p>

Table 60-3: SAMA5D3 Datasheet Rev. 11121E Revision History

Issue Date	Comments
03-Feb-15	Formatting, spelling and editorial changes throughout document
	Section "Description": no substantive changes
	Section 1. "Features" In GMAC and EMAC bullets, replaced "MAC Controller" with "Ethernet Media Access Controller" Added detail to USART feature
	Section 2. "Block Diagram" Figure 2-1. "SAMA5D3 Block Diagram": added DMA to DBGU block
	Section 3. "Signal Description": no substantive changes
	Section 4. "Package and Pinout" Table 4-1 "SAMA5D3 Pinout for 324-ball LFBGA Package": for ball R5, corrected direction of GTXCK signal from input to output Table 4-2 "SAMA5D3 Pinout for 324-ball TFBGA Package": for ball AB1, corrected direction of GTXCK signal from input to output
	Section 5. "Power Considerations" Table 5-1 "SAMA5D3 Power Supplies": - in VDDUTMIC "Powers" comments, deleted instance of "The UTMI PLL" - updated VDDANA voltage range - in VDDFUSE "Powers" comments, added sentence "It must be powered for Fuse programming and to switch in Secure Mode." Revised Section 5.2 "Power-Up Considerations" Revised Section 5.3 "Power-Down Considerations"
	Section 6. "Memories": Section 6.1.2 "Internal ROM": in last paragraph, corrected register name "Boot Select Control Register" to "Boot Sequence Controller Configuration Register" Section 6.1.3 "Boot Strategies": corrected application note title "Secure Boot on SAMA5D3 Series" to "SAMA5D3x Secure Boot Strategy"
	Section 7. "Real-time Event Management": no substantive changes
	Section 8. "System Controller" Section 8-1 "SAMA5D3 System Controller Block Diagram": corrected PMC output "pck[0-1]" to "pck[0-2]" Section 8.2 "Backup Section": - changed bullet "SCKR register" to "Slow Clock Controller Configuration Register (SCKC_CR)" - changed bullet "Boot Select Control Register" to "Sequence Controller Configuration (BSC_CR)"
	Section 9. "Peripherals": no substantive changes
	Section 10. "ARM Cortex-A5" Replaced instances of "ARM Architecture Reference Manual" with "ARM Architecture Reference Manual, ARMv7-A and ARMv7-R edition"

SAMA5D3 SERIES

Table 60-3: SAMA5D3 Datasheet Rev. 11121E Revision History (Continued)

Issue Date	Comments
03-Feb-15	<p>Section 10. "ARM Cortex-A5" (cont'd)</p> <p>Section 10.1 "Description":</p> <ul style="list-style-type: none"> - deleted sentence "The design can include the FPU only, in which case the Media Processing Engine (MPE) is not included." - at end of section, added "Note: All ARM publications referenced in this datasheet can be found at www.arm.com." (hyperlink to www.arm.com replaces previous multiple links to individual ARM publications)
	<p>Section 10. "Debug and Test": no substantive changes</p>
	<p>Section 11. "Standard Boot Strategies"</p> <p>Section 11.1 "Description":</p> <ul style="list-style-type: none"> - "If BMS signal is tied to 0, BMS_BIT is read at 1" changed to "If BMS signal is tied to 0, BMS_BIT is read at 0" - "If BMS signal is tied to 1, BMS_BIT is read at 0" changed to "If BMS signal is tied to 1, BMS_BIT is read at 1" <p>Section 11.4.1 "NVM Boot Sequence": corrected register name "Boot Sequence Configuration Register" to "Boot Sequence Controller Configuration Register"</p> <p>At end of Section 11.4.3.1 "ARM Exception Vectors Check", inserted a space after each "B" in the example of valid vectors</p> <p>Section 11.4.4.4 "SPI Flash Boot": replaced sentence "The SPI Flash Boot program supports all Atmel DataFlash devices" with "The SPI Flash Boot program supports the DataFlash devices listed in Table 11-2"</p> <p>Table 11-2 "DataFlash Devices": added device AT45DB641</p> <p>Section 11.5.3.2 "USB Class": in first paragraph, replaced phrase "from Windows 98SE® to Windows 7®" with "beginning with Windows 98SE®"</p>
	<p>Section 13. "Boot Sequence Controller (BSC)"</p> <p>Throughout, corrected register name "Boot Sequence Configuration Register" to "Boot Sequence Controller Configuration Register"</p> <p>Section 13.1 "Description": reworded first paragraph</p> <p>Section 13.4.1 "Boot Sequence Controller Configuration Register": updated BOOT field description</p>
	<p>Section 14. "AXI Bus Matrix (AXIMX)"</p> <p>Updated Section 14.2 "Embedded Characteristics"</p> <p>Revised Section 14.3.1 "Remap"</p>
	<p>Section 15. "Bus Matrix (MATRIX)"</p> <p>Throughout, changed "securizable" to "secured" or "securable" as required by context</p> <p>Section 15.2 "Embedded Characteristics": replaced bullet "Write Protection of User Interface Registers" with "Register Write Protection"</p> <p>Section 15.3 "Memory Mapping": deleted redundant/duplicated sentence "The Bus Matrix user interface provides Master Remap Control Register (MATRIX_MRCR) that performs remap action for every master independently" from end of section</p> <p>Latency Quality of Service text added in Section 15.8.2 "Arbitration Priority Scheme"</p> <p>Table 15-2 "Register Mapping": reset value of PRAS and PRBS registers changed to 0x00000000</p> <p>Section 15.9 "Register Write Protection": updated title (was "Write Protect Registers") and revised content</p> <p>Section 15.10.1 "Bus Matrix Master Configuration Registers": reformatted ULBT field description as table</p> <p>Section 15.10.2 "Bus Matrix Slave Configuration Registers": reformatted DEFMSTR_TYPE field description as table</p> <p>LQOSENx bits added in Section 15.10.3 "Bus Matrix Priority Registers A For Slaves" and Section 15.10.4 "Bus Matrix Priority Registers B For Slaves"</p> <p>Section 15.10.7 "Write Protection Mode Register": updated title; updated content below bitmap</p> <p>Section 15.10.8 "Write Protection Status Register": updated title; updated content below bitmap</p>

Table 60-3: SAMA5D3 Datasheet Rev. 11121E Revision History (Continued)

Issue Date	Comments
03-Feb-15	<p>Section 16. “Special Function Registers (SFR)”: no substantive changes</p>
	<p>Section 17. “Advanced Interrupt Controller (AIC)” Harmonized description of AIC_FVR where needed (is “FIQ Vector Register”) Section 17.2 “Embedded Characteristics”: renamed bullet “Write Protected Registers” to “Register Write Protection” Section 17.8.3.3 “Interrupt Vectoring”: deleted last two paragraphs Section 17.8.8 “Register Write Protection”: changed title (was “Write Protected Registers” and revised content Table 17-3 “Register Mapping”: defined offset ranges 0x60–0x68 and 0x70–0xE0 as reserved Deleted reset values from individual register description sections (register reset values are provided in Table 17-3 “Register Mapping”)</p>
	<p>Section 17.9.2 “AIC Source Mode Register”: - below bitmap, inserted sentence “This register can only be written if the WPEN bit is cleared in the AIC Write Protection Mode Register” - deleted table with headers “Value/Internal Interrupt/External Interrupt” from SRCTYPE field description</p>
	<p>Section 17.9.3 “AIC Source Vector Register”: below bitmap, inserted sentence “This register can only be written if the WPEN bit is cleared in the AIC Write Protection Mode Register”</p>
	<p>Section 17.9.4 “AIC Interrupt Vector Register”: below bitmap, inserted sentence “This register can only be written if the WPEN bit is cleared in the AIC Write Protection Mode Register”</p>
	<p>Section 17.9.22 “AIC Debug Control Register”: below bitmap, inserted sentence “This register can only be written if the WPEN bit is cleared in the AIC Write Protection Mode Register”; renamed bit “GMSK: General Mask” to “GMSK: General Interrupt Mask”</p>
	<p>Section 17.9.23 “AIC Write Protection Mode Register”: updated WPEN bit description</p>
	<p>Section 17.9.24 “AIC Write Protection Status Register”: updated WPVSRC field description</p>
	<p>Section 18. “Watchdog Timer (WDT)” Figure 18-2. “Watchdog Behavior”: “WDT_CR = WDRSTT” replaced with “WDT_CR.WDRSTT=1” Section 18.5.2 “Watchdog Timer Mode Register”: moved WDDIS bit from end of listed descriptions to precede WDD field description Section 18.5.3 “Watchdog Timer Status Register”: appended names of bits WDUNF and WDERR with “(cleared on read)”</p>
	<p>Section 19. “Reset Controller (RSTC)” Table 19-1 “Register Mapping”: corrected RSTC_SR reset value and replaced single footnote with two separate footnotes Section 19.4 “Functional Description”: deleted redundant Section 19.4.6 “Reset Controller Status Register” (register is described in Section 19.5.2 “Reset Controller Status Register”) Section 19.5.2 “Reset Controller Status Register”: updated bit and field descriptions</p>
<p>Section 20. “Shutdown Controller (SHDWC)” Section 20.2 “Embedded Characteristics”: renamed “SHDW Output Pin” to “Shutdown Output Pin (SHDN)” Section 20.5.1 “Power Management”: added slow clock acronym “SLCK” to end of first sentence Section 20.6 “Functional Description”: inserted subsection heading “Wake-up Inputs”</p>	
<p>Section 21. “General Purpose Backup Registers (GPBR)” Table 21-1 “Register Mapping”: added reset value 0x00000000 for all registers SYS_GPBRx Section 21.3.1 “General Purpose Backup Register x”: below bitmap, inserted sentence “These registers are reset at first power-up and on each loss of VDDBU”</p>	
<p>Section 22. “Periodic Interval Timer (PIT)”: no substantive changes</p>	

SAMA5D3 SERIES

Table 60-3: SAMA5D3 Datasheet Rev. 11121E Revision History (Continued)

Issue Date	Comments
03-Feb-15	<p>Section 23. “Real-time Clock (RTC)”</p> <p>Section 23.1 “Description”: updated to explain need for accurate external 32.768 kHz clock</p> <p>Section 23.2 “Embedded Characteristics”: added feature “Register Write Protection”</p> <p>Section 23.5.5 “Updating Time/Calendar”: reworded second paragraph for clarity</p> <p>Section 23.6.1 “RTC Control Register”:</p> <ul style="list-style-type: none"> - added sentence “This register can only be written if the WPEN bit is cleared in the System Controller Write Protection Mode Register (SYSC_WPMR)” - updated description of UPDCAL bit <p>Section 23.6.2 “RTC Mode Register”: added sentence “This register can only be written if the WPEN bit is cleared in the System Controller Write Protection Mode Register (SYSC_WPMR)”</p> <p>Section 23.6.5 “RTC Time Alarm Register”: added sentence “This register can only be written if the WPEN bit is cleared in the System Controller Write Protection Mode Register (SYSC_WPMR)”</p> <p>Section 23.6.6 “RTC Calendar Alarm Register”: added sentence “This register can only be written if the WPEN bit is cleared in the System Controller Write Protection Mode Register (SYSC_WPMR)”</p>
	<p>Section 24. “Slow Clock Controller (SCKC)”</p> <p>Inserted heading Section 24.4 “Functional Description”</p>
	<p>Section 25. “Fuse Controller (FUSE)”: no substantive changes</p>
	<p>Section 26. “Clock Generator”</p> <p>Section 26.2 “Embedded Characteristics”: replaced “32768 Hz Slow Clock Oscillator” with “32.768 kHz Slow Clock Oscillator”; added “(HCLOCK and PCLOCK)” to end of bullet describing programmable PLL</p> <p>Updated Figure 26-1. “Clock Generator Block Diagram”</p> <p>Figure 26-2. “Main Clock Selection”: reformatted to unhide hidden characters and improve readability</p> <p>Section 26.4.2 “Switch from Internal 12 MHz Fast RC Oscillator to the 8 to 48 MHz Crystal Oscillator”: edited content and numbered sequence steps (were previously bullets); in second step corrected status flag name from “MAINRDY” to “MOSCXTS”</p> <p>Section 26.4.3 “Bypass the 8 to 48 MHz Crystal Oscillator”: edited content and numbered listed steps (were previously bullets)</p> <p>Section 26.4.4 “Switch from the 8 to 48 MHz Crystal Oscillator to internal 12 MHz Fast RC Oscillator”: numbered listed steps (were previously bullets)</p> <p>Updated Figure 26-4. “Main Clock Block Diagram”</p> <p>Section 26.5.3 “8 to 48 MHz Crystal Oscillator”: replaced three instances of “MOSCXTCNT” with “MOSCXTST”</p> <p>Figure 26-5. “Divider and PLLA Block Diagram”: added arrowhead to line from MAINCK to Divider</p> <p>Section 26.6.1 “Divider and Phase Lock Loop Programming”: changed sentence “The PLLA clock must be divided by 2 by writing the PLLADIV2 bit in the PMC_MCKR” to “The PLLA clock must be divided by 2 by writing the PLLADIV2 bit in the PMC_MCKR, if ratio between Processor Clock (PCK) and MCK is 3 (MDIV = 3).”</p>
	<p>Section 27. “Power Management Controller (PMC)”</p> <p>Updated Figure 27-1. “General Clock Block Diagram”</p> <p>Relocated Section 27.4 “Master Clock Controller” to appear after Section 27.3 “Block Diagram”; in first paragraph, changed “MCK is the clock provided to all the peripherals and the memory controller” to “MCK is the source clock of the peripheral clocks”; reformatted Figure 27-2. “Master Clock Controller” to unhide hidden characters and improve readability</p> <p>Section 27.5 “Processor Clock Controller”: replaced instance of “The processor clock PCK” with “The processor clock HCLK”</p> <p>Added Section 27.6 “LCDC Clock Controller”</p> <p>Section 27.10 “Peripheral Clock Controller”: updated content explaining how to apply and read the division factor; deleted code examples</p>

Table 60-3: SAMA5D3 Datasheet Rev. 11121E Revision History (Continued)

Issue Date	Comments
03-Feb-15	<p>Section 27. "Power Management Controller (PMC)" (cont'd)</p> <p>Section 27.11 "Programmable Clock Controller": in first sentence, changed "The PMC controls two signals" to read "The PMC controls three signals"</p> <p>Revised Section 27.12 "Main Crystal Clock Failure Detector"</p> <p>Section 27.13 "Programming Sequence":</p> <ul style="list-style-type: none"> - in Step 8. "Selecting Master Clock and Processor Clock", removed "3" from listed prescaler divisors (divisors now read "(1, 2, 4, 8, 16, 32, 64)"); changed sentence "The PMC PLLA Clock input must be divided by 2 by writing the PLLADIV2 bit" to "The PMC PLLA Clock input must be divided by 2 by writing the PLLADIV2 bit if MDIV is set to 3."; below "Code Example", replaced "The master clock is main clock divided by 16" with "The master clock is main clock divided by 2" - in Step 9. "Selecting Programmable Clocks", replaced "different values (1, 2, 4, 8, 16, 32, 64)" with "different values (from 1 to 256)" <p>Section 27.15 "Register Write Protection": in last sentence, replaced "registers can be protected" with "registers can be write-protected"; removed PMC Peripheral Clock Enable Register 0 and PMC Peripheral Clock Disable Register 0 from list of protectable registers; added PMC Peripheral Clock Disable Register 0 and PMC Peripheral Clock Enable Register 1 to list of protectable registers</p> <p>Table 27-3 "Register Mapping": added PMC Fast Startup Polarity Register (PMC_FSPR) and PMC Fast Startup Mode Register (PMC_FSMR)</p> <p>Section 27.16.1 "PMC System Clock Enable Register": below register bitmap, added sentence "This register can only be written if the WPEN bit is cleared in the PMC Write Protection Mode Register"</p> <p>Section 27.16.2 "PMC System Clock Disable Register": below register bitmap, added sentence "This register can only be written if the WPEN bit is cleared in the PMC Write Protection Mode Register"</p> <p>Section 27.16.8 "PMC Clock Generator Main Oscillator Register": added note "When Main Oscillator Bypass is disabled (MOSCXTBY = 0), the MOSCXTS flag must be read as 0 in PMC_SR prior to enabling Main Crystal Oscillator (MOSCXTEN = 1)" to end of MOSCXTBY bit description</p> <p>Section 27.16.9 "PMC Clock Generator Main Clock Frequency Register":</p> <ul style="list-style-type: none"> - below register bitmap, added sentence "This register can only be written if the WPEN bit is cleared in the PMC Write Protection Mode Register" - changed bit name description from "MAINFRDY: Main Clock Ready" to "MAINFRDY: Main Clock Frequency Measure Ready" <p>Section 27.16.10 "PMC Clock Generator PLLA Register": below register bitmap, added sentence "This register can only be written if the WPEN bit is cleared in the PMC Write Protection Mode Register"</p> <p>Section 27.16.11 "PMC Master Clock Register": below register bitmap, added sentence "This register can only be written if the WPEN bit is cleared in the PMC Write Protection Mode Register"</p> <p>Section 27.16.12 "PMC USB Clock Register": below register bitmap, added sentence "This register can only be written if the WPEN bit is cleared in the PMC Write Protection Mode Register"</p> <p>Section 27.16.14 "PMC Programmable Clock Register": below register bitmap, added sentence "This register can only be written if the WPEN bit is cleared in the PMC Write Protection Mode Register"</p> <p>Section 27.16.15 "PMC Interrupt Enable Register": added bit values</p> <p>Section 27.16.17 "PMC Status Register": added GCKRDY bit (register bit 24)</p> <p>Section 27.16.20 "PLL Charge Pump Current Register":</p> <ul style="list-style-type: none"> - below register bitmap, added sentence "This register can only be written if the WPEN bit is cleared in the PMC Write Protection Mode Register" - changed field description "ICP_PLLA: Charge Pump Current PLLA" to "ICP_PLLA: Must Be Written to Zero" <p>Section 27.16.21 "PMC Write Protection Mode Register" and Section 27.16.22 "PMC Write Protection Status Register": removed reset value line above bitmap (register reset values are found in Table 27-3 "Register Mapping")</p> <p>Section 27.16.26 "PMC Peripheral Control Register": updated descriptions of fields PID and DIV</p>

SAMA5D3 SERIES

Table 60-3: SAMA5D3 Datasheet Rev. 11121E Revision History (Continued)

Issue Date	Comments
	<p>Section 28. "Parallel Input/Output Controller (PIO)"</p> <p>Replaced instances of "div_slclk" with "div_slck"; replaced instances of "slow_clock" with "slck"</p> <p>Section 28.3 "Block Diagram":</p> <ul style="list-style-type: none"> - removed figure "Application Block Diagram" - modified Figure 28-1. "Block Diagram" to replace maximum number of pins (32) with "x" integer <p>Section 28.4.4 "Interrupt Sources": modified title (was "Interrupt Generation") and added Table 28-1 "Peripheral IDs"</p> <p>Fixed error in Section 28.5.3 "Peripheral A or B or C or D Selection": replaced "the corresponding bit at level zero in PIO_ABCDSR2 means peripheral D is selected" with "the corresponding bit at level one in PIO_ABCDSR2 means peripheral D is selected"</p> <p>Table 28-4 "Register Mapping": corrected reserved offset range (was 0x00EC–0x00F8; is 0x00EC–0x00FC)</p> <p>Section 28.5.15 "Register Write Protection": in list of protectable registers, replaced "PIO Pad Pull-Down Status Register" with "PIO Pad Pull-Down Enable Register"</p> <p>Section 28.6.32 "PIO Pad Pull-Down Status Register": deleted sentence "This register can only be written if the WPEN bit is cleared in the PIO Write Protection Mode Register."</p> <p>Section 28.6.38 "PIO Additional Interrupt Modes Mask Register": modified P0–P31 bit description</p>
	<p>Section 28. "External Memories"</p> <p>Changed bullet first bullet "Multiport DDR Controller (MPDDRC)" to "Multi-port DDR-SDRAM Controller (MPDDRC)"</p> <p>Section 28.1 "Multi-port DDR-SDRAM Controller (MPDDRC)": changed title (was "MPDDRC Multi-port DDRSDR Controller"); removed subsection "Embedded Characteristics"</p> <p>Section 28.2.1 "Description": removed three subsections "External Bus Interface (EBI)", "Static Memory Controller (HSMC)" and "NAND Flash Controller (NFC)"</p>
03-Feb-15	<p>Section 30. "Multi-port DDR-SDRAM Controller (MPDDRC)"</p> <p>Section 30.4.3 "Low-power DDR2-SDRAM Initialization": added new step No. 14 "A Normal mode command is provided. Program the normal mode in the MPDDRC_MR and perform a write access to any low-power DDR2-SDRAM address to acknowledge this command" (sequence now comprises 15 steps)</p> <p>Replaced instance of "SDCK" or "SDCLK" with "DDRCK" in Figure 30-2 to Figure 30-19</p> <p>Table 30-13 "Register Mapping": deleted reset value from write-only registers MPDDRC_OCMS_KEY1 and MPDDRC_OCMS_KEY2</p> <p>Replaced instance of "SDCK" or "SDCLK" with "DDRCK" in following sections:</p> <ul style="list-style-type: none"> - Section 30.7.4 "MPDDRC Timing Parameter 0 Register" - Section 30.7.5 "MPDDRC Timing Parameter 1 Register" - Section 30.7.6 "MPDDRC Timing Parameter 2 Register" - Section 30.7.12 "MPDDRC Low-power DDR2 Timing Calibration Register" - Section 30.7.13 "MPDDRC I/O Calibration Register" <p>Section 30.7.13 "MPDDRC I/O Calibration Register": updated formula in TZQIO field description and added configuration example</p>
	<p>Section 31. "Static Memory Controller (SMC)"</p> <p>Section 31.2 "Embedded Characteristics":</p> <ul style="list-style-type: none"> - replaced bullet "Supports NAND Flash Devices with 8-bit Data Path" with "Supports NAND Flash Devices with 8 or 16-bit Data Paths" - replaced bullet "Multibit Error Correcting Code (ECC)" with "Multibit Error Correcting Code (ECC) supporting NAND Flash devices with 8-bit only Data Path" - added bullet "Register Write Protection"

Table 60-3: SAMA5D3 Datasheet Rev. 11121E Revision History (Continued)

Issue Date	Comments
03-Feb-15	<p>Section 31. “Static Memory Controller (SMC)” (cont’d)</p> <p>Section 31.7.3 “Interrupt”:</p> <ul style="list-style-type: none"> - replaced “connected to the Nested Vector Interrupt Controller (NVIC)” with “connected to the interrupt controller” - replaced “programming the NVIC” with “programming the interrupt controller” <p>Section 31.9.1 “Data Bus Width”:</p> <ul style="list-style-type: none"> - replaced instances of “512K” with “512KB” - corrected second cross-reference link (was Figure 31.9.2; is Figure 31-5) <p>Transferred Figure 31-4 “Memory Connection for an 8-bit Data Bus” and Figure 31-5 “Memory Connection for a 16-bit Data Bus” from Section 31.9.2 “Byte Write or Byte Select Access” to Section 31.9.1 “Data Bus Width”</p> <p>Section 31.10.1.3 “Read Cycle”: rewrote content to simplify understanding</p> <p>Section 31.10.3.3 “Write Cycle”: rewrote content to simplify understanding</p> <p>Section 31.11 “Scrambling/Unscrambling Function”:</p> <ul style="list-style-type: none"> - revised content to simplify understanding of how scrambling function is enabled - replaced instance of “SMSC field” with “SMSE bit” - in last sentence, replaced “on-chip SRAM page buffer” with “on-chip NFC SRAM page buffer” <p>Section 31.13.1 “READ_MODE”: replaced instance of “TDF field” with “TDF_CYCLES field in HSMC_MODEx”</p> <p>Table 31-2 “Static Memory Controller (SMC) Multiplexed Signals”: reformatted and updated cross-reference links</p> <p>Section 31.20 “Static Memory Controller (SMC) User Interface”: removed reset values from register description sections (register reset values are provided in Table 31-20 “Register Mapping”)</p> <p>Table 31-20 “Register Mapping”:</p> <ul style="list-style-type: none"> - listed registers HSMC_SIGMA1 to HSMC_SIGMA23 (offsets 0x52C to 0x584) to display HSMC_SIGMAx reset values (HSMC_SIGMA0 reset value is 0x1; 0x0 is reset value for HSMC_SIGMA1 to HSMC_SIGMA24) - replaced offset range “0x524–0x52C” with “0x524” as reserved - replaced reset value “0x0” with “–” for all write-only registers - defined offset range 0x6EC–0x6FC as reserved <p>Section 31.20.33 “HSMC Pulse Register”: increased size of each of the following fields from six to seven bits: NWE_PULSE, NCS_WR_PULSE, NRD_PULSE, and NCS_RD_PULSE</p> <p>Section 31.20.36 “HSMC Mode Register”: transferred selected bit descriptions to table format</p> <p>Section 31.20.37 “HSMC Off Chip Memory Scrambling Register”: updated SRSE bit description</p>

SAMA5D3 SERIES

Table 60-3: SAMA5D3 Datasheet Rev. 11121E Revision History (Continued)

Issue Date	Comments
	<p>Section 32. “DMA Controller (DMAC)”</p> <p>Removed reset values above the bitmaps from individual register description sections (register reset values are provided in the register mapping table)</p> <p>Section 32.2 “Embedded Characteristics”: added bullet “Register Write Protection”</p> <p>Added Section 32.5 “Product Dependencies”</p> <p>Section 32.6.3.1 “Software Handshaking”: replaced instance of “last transaction register” with “Software Last Transfer Flag Register”</p> <p>Section 32.6.4.3 “Ending Multi-buffer Transfers”: in second paragraph, corrected “automatic mode is disabled by writing a ‘1’ in DMAC_CTRLBx.AUTO bit” to “automatic mode is disabled by clearing the DMAC_CTRLBx.AUTO bit”</p> <p>Section 32.6.6 “Disabling a Channel Prior to Transfer Completion”: in last paragraph, corrected “by writing a ‘1’ to the DMAC_CHER.RESx field register” to read “by setting the DMAC_CHDR.RESx bit”</p> <p>Section 32.6.6.1 “Abnormal Transfer Termination”:</p> <ul style="list-style-type: none"> - in first sentence, corrected “the channel enable bit, DMAC_CHDR.ENAx” to read “the channel enable bit, DMAC_CHER.ENAx” - in second paragraph, corrected “the global enable bit in the DMAC Configuration Register (DMAC_EN.ENABLE bit)” to read “the general enable bit in the DMAC Enable Register (DMAC_EN.ENABLE)” <p>Section 32.8 “Register Write Protection”: modified title (was “Write Protection Registers”) and updated content</p> <p>Table 32-5 “Register Mapping”: replaced reserved offset range “0x01EC-0x1FC” with “0x1EC-0x1FC”</p> <p>Updated Section 32.9.21 “DMAC Write Protection Mode Register”</p> <p>Section 32.9.22 “DMAC Write Protection Status Register”: updated description of field WPVSR</p>
03-Feb-15	<p>Section 33. “LCD Controller (LCDC)”</p> <p>Section 33.6.3.2 “Color Attributes”: replaced instance of “color lookup mode” with “Color Lookup Table Mode”</p> <p>Section 33.6.3.3 “Window Position, Size, Scaling and Striding Attributes”: replaced two instances of “color lookup mode” with “Color Lookup Table Mode”</p> <p>Section 33.6.3.4 “Overlay Blender Attributes”: in bullet list, added description to ITER bit</p> <p>Section 33.6.11.2 “Base Layer with Window Overlay Optimization”: replaced “LCDC_CFG” to “LCDC_BASECFG” in list of register names</p> <p>Section 33.6.11.6 “Color Keying”:</p> <ul style="list-style-type: none"> - at end of Section “Source Color Keying”, replaced “When the Mask register is set to zero” with “When the field RMASK, GMASK, or BMASK is set to zero” - at end of Section “Destination Color Keying”, replaced “When the Mask register is set to zero” with “When the field RMASK, GMASK, or BMASK is set to zero” <p>Section 33.7 “LCD Controller (LCDC) User Interface”:</p> <ul style="list-style-type: none"> - deleted reset values from register description sections (register reset values are found in Table 33-55 “Register Mapping”) - harmonized register naming between names in Table 33-55 “Register Mapping” and individual register description sections - in CLUTEN bit descriptions, replaced “Color Lookup Table” with “Color Lookup Table Mode” - in RGBMODE field descriptions, replaced “RGB Input Mode Selection” with “RGB Mode Input Selection” - CLUTMODE field descriptions, replaced “Color Lookup Table Input Mode Selection” with “Color Lookup Table Mode Input Selection” <p>Table 33-55 “Register Mapping”:</p> <ul style="list-style-type: none"> - deleted reset values for write-only registers - changed range of reserved offsets from 0x1A00-0x1FE4 to 0x1A00-0x1FFC

Table 60-3: SAMA5D3 Datasheet Rev. 11121E Revision History (Continued)

Issue Date	Comments
03-Feb-15	<p>Section 33. "LCD Controller (LCDC)" (cont'd)</p> <p>Section 33.7.14 "LCD Controller Interrupt Status Register": updated bit descriptions</p> <p>Section 33.7.15 "LCD Controller Attribute Register": updated descriptions of bits BASEA2Q, OVR1A2Q, OVR2A2Q, HEOA2Q, HCRA2Q, and PPA2Q</p> <p>Section 33.7.16 "Base Layer Channel Enable Register": updated A2QEN bit description</p> <p>Section 33.7.17 "Base Layer Channel Disable Register": updated bit descriptions</p> <p>Section 33.7.18 "Base Layer Channel Status Register": updated bit descriptions</p> <p>Section 33.7.22 "Base Layer Interrupt Status Register": updated bit descriptions</p> <p>Section 33.7.34 "Overlay 1 Channel Enable Register": updated A2QEN bit description</p> <p>Section 33.7.35 "Overlay 1 Channel Disable Register": updated bit descriptions</p> <p>Section 33.7.36 "Overlay 1 Channel Status Register": updated bit descriptions</p> <p>Section 33.7.40 "Overlay 1 Interrupt Status Register": updated bit descriptions</p> <p>Section 33.7.55 "Overlay 2 Channel Enable Register": updated A2QEN bit description</p> <p>Section 33.7.56 "Overlay 2 Channel Disable Register": updated bit descriptions</p> <p>Section 33.7.57 "Overlay 2 Channel Status Register": updated bit descriptions</p> <p>Section 33.7.61 "Overlay 2 Interrupt Status Register": updated bit descriptions</p> <p>Section 33.7.76 "High End Overlay Channel Enable Register": updated A2QEN bit description</p> <p>Section 33.7.77 "High End Overlay Channel Disable Register": updated bit descriptions</p> <p>Section 33.7.78 "High End Overlay Channel Status Register": updated bit descriptions</p> <p>Section 33.7.82 "High End Overlay Interrupt Status Register": updated bit descriptions</p> <p>Section 33.7.96 "High End Overlay Configuration Register 1": updated descriptions of bits YUV422ROT and YUV422SWP</p> <p>Section 33.7.137 "Hardware Cursor Channel Enable Register": updated A2QEN bit description</p> <p>Section 33.7.138 "Hardware Cursor Channel Disable Register": updated bit descriptions</p> <p>Section 33.7.139 "Hardware Cursor Channel Status Register": updated bit descriptions</p> <p>Section 33.7.143 "Hardware Cursor Interrupt Status Register": updated bit descriptions</p> <p>Section 33.7.157 "Post Processing Channel Enable Register": updated A2QEN bit description</p> <p>Section 33.7.158 "Post Processing Channel Disable Register": updated bit descriptions</p> <p>Section 33.7.159 "Post Processing Channel Status Register": updated bit descriptions</p> <p>Section 33.7.163 "Post Processing Interrupt Status Register": updated bit descriptions</p>

SAMA5D3 SERIES

Table 60-3: SAMA5D3 Datasheet Rev. 11121E Revision History (Continued)

Issue Date	Comments
03-Feb-15	<p>Section 34. “Image Sensor Interface (ISI)”</p> <p>Section 34.2 “Embedded Characteristics”: deleted Preview Path subbullet “Up to 2048*2048 in Grayscale Mode”; added bullet “Codec Path up to 2048 × 2048”</p> <p>Added Section 34.4 “Product Dependencies”</p> <p>Reorganized contents of Section 34.5.1 “Data Timing” (separated into Section 34.5.1.1 “VSYNC/HSYNC Data Timing” and Section 34.5.1.2 “SAV/EAV Data Timing”)</p> <p>Figure 34-3 “HSYNC and VSYNC Synchronization” and Figure 34-4 “SAV and EAV Sequence Synchronization”: corrected bus name from DATA[7..0] to ISI_DATA[7..0]</p> <p>Section 34.5.4.3 “Memory Interface”: revised content</p> <p>Section 34.6 “Image Sensor Interface (ISI) User Interface”: removed line ‘Reset:’ and the reset value from register descriptions to avoid redundancy with Table 34-13 “Register Mapping”</p> <p>Table 34-13 “Register Mapping”: removed reset value from write-only registers; updated register name from “ISI Write Protection Control Register / ISI_WPCR” to “ISI Write Protection Mode Register / ISI_WPMR”</p> <p>Section 34.6.2 “ISI Configuration 2 Register”: inverted equations in IM_VSIZE and IM_HSIZE descriptions; updated IM_HSIZE bit description</p> <p>Section 34.6.3 “ISI Preview Size Register”: inverted equations in PREV_VSIZE and PREV_HSIZE descriptions.</p> <p>Section 34.6.11 “ISI Status Register”:</p> <ul style="list-style-type: none"> - removed “This is a status bit.’ from bit descriptions ENABLE, CDC_PND, SIP - added ‘(cleared on read)’ to bit descriptions DIS_DONE, SRST, VSYNC, PXFR_DONE, CXFR_DONE, P_OVR, C_OVR, CRC_ERR, FR_OVR - removed ‘This flag is reset...’ from bit descriptions PXFR_DONE, CXFR_DONE, P_OVR, C_OVR, CRC_ERR, FR_OVR - added ‘...since the last read of ISI_ISR.’ to bit descriptions PXFR_DONE, CXFR_DONE, P_OVR, C_OVR, CRC_ERR, FR_OVR <p>Section 34.6.14 “ISI Interrupt Mask Register”:</p> <ul style="list-style-type: none"> - updated bit names and descriptions - VSYNC value 0 now = disabled and 1 = enabled - PXFR_DONE value 0 now = disabled and 1 = enabled - CXFR_DONE value 0 now = disabled and 1 = enabled <p>Section 34.6.24 “ISI Write Protection Mode Register”: changed register name (was “ISI Write Protection Control Register”)</p> <p>Section 34.6.25 “ISI Write Protection Status Register”: updated WPVS bit description</p>
	<p>Section 35. “USB High Speed Device Port (UDPHS)”</p> <p>Figure 35-1 “Block Diagram”:</p> <ul style="list-style-type: none"> - updated signal line configuration between UTMI and DP - updated signal line configuration between UTMI and DM <p>Section 35.5.2 “Interrupt Sources”: modified title (was “Interrupt”)</p> <p>Table 35-4 “UDPHS Endpoint Description”: corrected cross-reference in “Endpoint Type” column to point to table footnote No. ⁽¹⁾ (previously pointed to Section 35.3 “Block Diagram”)</p> <p>Reorganized hierarchy of subsections in Section 35.6.10 “Handling Transactions with USB V2.0 Device Peripheral”</p> <p>Figure 35-6 “Example of DPRAM Allocation and Reorganization”: updated diagram to indicate sequence of four steps; inserted “DPRAM allocation sequence:” below figure</p> <p>Table 35-6 “Register Mapping”: defined offset range 0xE4–0xFC as reserved</p> <p>Section 35.7.1 “UDPHS Control Register”: added “(cleared upon USB reset)” to relevant bit/field descriptions</p> <p>Section 35.7.2 “UDPHS Frame Number Register”: added “(cleared upon USB reset)” to field descriptions</p>

Table 60-3: SAMA5D3 Datasheet Rev. 11121E Revision History (Continued)

Issue Date	Comments
	<p>Section 35. “USB High Speed Device Port (UDPHS)” (cont’d)</p> <p>Section 35.7.3 “UDPHS Interrupt Enable Register”: added “(cleared upon USB reset)” to bit descriptions</p> <p>Section 35.7.4 “UDPHS Interrupt Status Register”: added “(cleared upon USB reset)” to description of bits EPT_x</p> <p>Section 35.7.8 “UDPHS Endpoint Configuration Register”: added “(cleared upon USB reset)” to bit/field descriptions</p> <p>Section 35.7.13 “UDPHS Endpoint Control Register (Control, Bulk, Interrupt Endpoints)”: added “(cleared upon USB reset)” to bit descriptions</p> <p>Section 35.7.14 “UDPHS Endpoint Control Register (Isochronous Endpoint)”: added “(cleared upon USB reset)” to bit descriptions</p> <p>Section 35.7.19 “UDPHS Endpoint Status Register (Control, Bulk, Interrupt Endpoints)”: updated BUSY_BANK_STA field configuration values; added “(cleared upon USB reset)” to bit/field descriptions</p> <p>Section 35.7.20 “UDPHS Endpoint Status Register (Isochronous Endpoint)”: updated BUSY_BANK_STA field configuration values; added “(cleared upon USB reset)” to bit/field descriptions</p>
	<p>Section 36. “USB Host High Speed Port (UHPHS)”</p> <p>Section 36.2 “Embedded Characteristics”: corrected named high speed hosts (were “A and B” ; are “A, B, and C”)</p> <p>Figure 36-1 “Block Diagram”: added “PORT S/M 2”</p> <p>Section 36.5.3 “Interrupt Sources”: changed title (was “Interrupt”); replaced instance of “Advanced Interrupt Controller (AIC)” with “interrupt controller”; replaced instance of “AIC” with “interrupt controller”</p> <p>Section 36.6.2 “EHCI”: replaced hypertext link “http://www.intel.com/technology/usb/ehcispec.htm” with “www.usb.org”</p> <p>Section 36.6.3 “OHCI”: replaced hypertext link “http://h18000.www1.hp.com/productinfo/development/openhci.html” with “www.usb.org”</p>
03-Feb-15	<p>Section 37. “Gigabit Ethernet MAC (GMAC)”</p> <p>Section 37.2 “Embedded Characteristics”:</p> <ul style="list-style-type: none"> - replaced “RGMII” with “RGMIIv1.3” in fifth bullet - added ‘and other events’ to bullet starting with “Interrupt generation to signal ...” <p>Figure 37-1 “Block Diagram”: added block ‘Packet Buffer Memories’</p> <p>Added Section 37.5 “Product Dependencies”</p> <p>Updated Section 37.7.2 “1588 Time Stamp Unit”</p> <p>Section 37.7.3 “AHB Direct Memory Access Interface”: reworded and replaced three paragraphs with two paragraphs</p> <p>Section 37.7.3.1 “Packet Buffer DMA”: updated content of first bullet</p> <p>Section 37.7.3.2 “Partial Store and Forward Using Packet Buffer DMA”: modified first sentence from ‘When the DMA is configured to use SRAM-based packet buffers, it can be programmed...’ to ‘The DMA uses SRAM-based packet buffers and can be programmed...’</p> <p>Section 37.7.3.3 “Receive AHB Buffers”: modified last paragraph from ‘When the DMA is configured for packet buffer mode,...’ to ‘In any packet buffer mode,...’.</p> <p>Section 37.7.3.4 “Transmit AHB Buffers”: in third paragraph, deleted “...or through the control bus of FIFO”; in eleventh paragraph, replaced “If the DMA is configured for internal FIFO mode, or for packet buffer partial store and forward mode” with “If the DMA is configured for packet buffer Partial Store and Forward mode...”</p> <p>Table 37-5 “Transmit Buffer Descriptor Entry”:</p> <ul style="list-style-type: none"> - bit 28: modified content of column ‘Function’ - bit 27: changed from ‘Also set in DMA packet buffer mode if single frame is...’ to ‘Also set if single frame is...’ <p>Section 37.7.3.6 “DMA Packet Buffer”: in first sentence, removed “can be configured”; changed the paragraph beginning “As described above,...”.</p> <p>Section 37.7.3.8 “Receive Packet Buffer”: changed ‘FIFO’ to ‘FIFO write interface’ in second paragraph; changed ‘FIFO’ to ‘packet buffer’ in fifth paragraph and in last paragraph</p>

SAMA5D3 SERIES

Table 60-3: SAMA5D3 Datasheet Rev. 11121E Revision History (Continued)

Issue Date	Comments
03-Feb-15	<p>Section 37. “Gigabit Ethernet MAC (GMAC)” (cont’d)</p> <p>Section 37.7.4 “MAC Transmit Block”: in second paragraph, removed fragment ‘...depending on the DMA bus width...’; added ‘interface’ to references to FIFO</p> <p>Section 37.7.5 “MAC Receive Block”:</p> <ul style="list-style-type: none"> - added ‘interface’ to references to FIFO. - in fourth paragraph, removed reference to FIFO - in sixth paragraph, removed ‘...configured to use the DMA and...’ <p>Section 37.7.6.2 “Transmitter Checksum Offload”: in first paragraph, removed ‘...GMAC is configured to use...’</p> <p>Section 37.7.7 “MAC Filtering Block”:</p> <ul style="list-style-type: none"> - changed first paragraph. - in fifth paragraph, added ‘interface’ to reference to FIFO and removed ‘if used’ regarding DMA <p>Section 37.7.14 “IEEE 1588 Support”: added paragraph beginning ‘IEEE 802.1AS is mostly a subset of 1588’</p> <p>Section 37.7.18 “PHY Interface”: replaced “RGMII” with “RGMIIv1.3” in listed PHY interfaces</p> <p>Section 37.8.1.6 “Interrupts”: modified second sentence</p> <p>Table 37-17 “Register Mapping”:</p> <ul style="list-style-type: none"> - corrected access “Read-only” to “Read/Write” for Interrupt Mask Register / GMAC_IMR - added RX Jumbo Frame Max Length Register / GMAC_RJFML - removed [31:0] from Hash Register Bottom / GMAC_HRB - removed [63:32] from Hash Register Top / GMAC_HRT - added 1588 Timer Nanosecond Comparison Register / GMAC_NSC - added 1588 Timer Second Comparison Low Register / GMAC_SCL - added 1588 Timer Second Comparison High Register / GMAC_SCH - added PTP Event Frame Transmitted Seconds High Register / GMAC_EFTSH - added PTP Event Frame Received Seconds High Register / GMAC_EFRSH - added PTP Peer Event Frame Transmitted Seconds High Register / GMAC_PEFTSH - added PTP Peer Event Frame Received Seconds High Register / GMAC_PEFRSH - removed 1588 Timer Sync Strobe Seconds Register / GMAC_TSSS - removed 1588 Timer Sync Strobe Nanoseconds Register / GMAC_TSSN - added 1588 Timer Increment Sub-nanoseconds Register / GMAC_TISUBN - removed 1588 Timer Seconds Register / GMAC_TS - added 1588 Timer Seconds High Register / GMAC_TSH - added 1588 Timer Seconds Low Register / GMAC_TSL - removed PTP Event Frame Transmitted Seconds / GMAC_EFTS - added PTP Event Frame Transmitted Seconds Low Register / GMAC_EFTSL - removed PTP Event Frame Received Seconds / GMAC_EFRS - added PTP Event Frame Received Seconds Low Register / GMAC_EFRSL - removed PTP Peer Event Frame Transmitted Seconds / GMAC_PEFTS - added PTP Peer Event Frame Transmitted Seconds Low Register / GMAC_PEFTSL - removed PTP Peer Event Frame Received Seconds / GMAC_PEFRS - added PTP Peer Event Frame Received Seconds Low Register / GMAC_PEFRSL - removed bit ranges from the register names, replacing them with ‘Low’ or ‘High’: (changed all ‘xxx [31:0] Register’ to ‘xxx Low Register’; changed all ‘xxx [47:32] Register’ to ‘xxx High Register’)

Table 60-3: SAMA5D3 Datasheet Rev. 11121E Revision History (Continued)

Issue Date	Comments
03-Feb-15	<p>Section 37. "Gigabit Ethernet MAC (GMAC)" (cont'd)</p> <p>Table 37-17 "Register Mapping":</p> <ul style="list-style-type: none"> - updated reserved space allocations <p>In register description sections, removed the bit ranges from the register names, replacing them with 'Low' or 'High':</p> <ul style="list-style-type: none"> - changed all 'xxx [31:0] Register' to 'xxx Low Register' - changed all 'xxx [47:32] Register' to 'xxx High Register' - removed [63:32] from Hash Register Top <p>Section 37.9.5 "GMAC DMA Configuration Register": bit FBLDO: updated bit description</p> <p>Section 37.9.6 "GMAC Transmit Status Register": updated TXGO bit description; removed UND bit</p> <p>Section 37.9.9 "GMAC Receive Status Register": bit RXOVR: updated bit description.</p> <p>Section 37.9.10 "GMAC Interrupt Status Register": removed bit 4 'TUR' and bit description</p> <p>Section 37.9.11 "GMAC Interrupt Enable Register": reformatted and reorganized bit descriptions</p> <p>Section 37.9.12 "GMAC Interrupt Disable Register": reformatted and reorganized bit descriptions</p> <p>Section 37.9.13 "GMAC Interrupt Mask Register": corrected access "Read-only" to "Read/Write"; reformatted and reorganized bit descriptions; deleted sentence "A write to this register directly affects the state of the corresponding bit in the Interrupt Status Register, causing an interrupt to be generated if a 1 is written" from each bit description and inserted single instance of same sentence at end of second paragraph below the register bitmap</p> <p>Section 37.9.14 "GMAC PHY Maintenance Register": at end of fourth paragraph ("The MDIO interface ... rather than a 1"), added sentence "To write clause 45 PHYs, bits 31:28 should be written as 0x0001"; added table detailing values of bits 31:28 for Clause 22 and Clause 45 PHYs read/write access; updated CLTTO bit description</p> <p>Added Section 37.9.19 "GMAC RX Jumbo Frame Max Length Register"</p> <p>Section 37.9.20 "GMAC Hash Register Bottom": changed title (was "Hash Register Bottom [31:0]")</p> <p>Section 37.9.21 "GMAC Hash Register Top": changed title (was "Hash Register Top [63:32]")</p> <p>Section 37.9.30 "GMAC Type ID Match 1 Register": added bit 'ENID1' (register bit 31)</p> <p>Section 37.9.31 "GMAC Type ID Match 2 Register": added bit 'ENID2' (register bit 31)</p> <p>Section 37.9.32 "GMAC Type ID Match 3 Register": added bit 'ENID3' (register bit 31)</p> <p>Section 37.9.33 "GMAC Type ID Match 4 Register": added bit 'ENID4' (register bit 31)</p> <p>Added Section 37.9.40 "GMAC 1588 Timer Nanosecond Comparison Register"</p> <p>Added Section 37.9.41 "GMAC 1588 Timer Second Comparison Low Register"</p> <p>Added Section 37.9.42 "GMAC 1588 Timer Second Comparison High Register"</p> <p>Added Section 37.9.43 "GMAC PTP Event Frame Transmitted Seconds High Register"</p> <p>Added Section 37.9.44 "GMAC PTP Event Frame Received Seconds High Register"</p> <p>Added Section 37.9.45 "GMAC PTP Peer Event Frame Transmitted Seconds High Register"</p> <p>Added Section 37.9.46 "GMAC PTP Peer Event Frame Received Seconds High Register"</p> <p>Section 37.9.52 "GMAC Pause Frames Transmitted Register": changed PFTX field description</p> <p>Removed section 37.7.84 "1588 Timer Sync Strobe Seconds Register"</p> <p>Removed section 37.7.85 "1588 Timer Sync Strobe Nanoseconds Register"</p> <p>Added Section 37.9.92 "GMAC 1588 Timer Increment Sub-nanoseconds Register"</p> <p>Added Section 37.9.93 "GMAC 1588 Timer Seconds High Register"</p> <p>Section 37.9.94 "GMAC 1588 Timer Seconds Low Register": changed title (was "1588 Timer Seconds Register")</p> <p>Section 37.9.98 "GMAC PTP Event Frame Transmitted Seconds Low Register": changed title (was "PTP Event Frame Transmitted Seconds Register"); modified RUD field description</p> <p>Section 37.9.99 "GMAC PTP Event Frame Transmitted Nanoseconds Register": changed RUD field description</p>

SAMA5D3 SERIES

Table 60-3: SAMA5D3 Datasheet Rev. 11121E Revision History (Continued)

Issue Date	Comments
03-Feb-15	<p>Section 37. “Gigabit Ethernet MAC (GMAC)” (cont’d)</p> <p>Section 37.9.100 “GMAC PTP Event Frame Received Seconds Low Register”: changed title (was “PTP Event Frame Received Seconds Register”)</p> <p>Section 37.9.102 “GMAC PTP Peer Event Frame Transmitted Seconds Low Register”: changed title (was “PTP Peer Event Frame Transmitted Seconds Register”)</p> <p>Section 37.9.104 “GMAC PTP Peer Event Frame Received Seconds Low Register”: changed title (was “PTP Peer Event Frame Received Seconds Register”)</p> <hr/> <p>Section 38. “Ethernet 10/100 MAC (EMAC)”</p> <p>Corrected and harmonized referenced register and bit names throughout</p> <p>Section 38.4 “Functional Description”: in first sentence, changed “MACB” to “EMAC”</p> <p>Section 38.4.13 “PHY Maintenance”:</p> <ul style="list-style-type: none"> - in last paragraph, inserted sentence “To write clause 45 PHYs, bits 31:28 should be written as 0x0001.” - added Table 38-5 “Clause 22/Clause 45 PHYs Read/Write Access Configuration” <p>Section 38.4.14 “Physical Interface”: deleted MII-only content</p> <p>Table 38-6 “Pin Configuration”:</p> <ul style="list-style-type: none"> - removed unused signals - in “Pin Name” column, renamed ERX0–ERX3: is now ERX0–ERX1 - in “Pin Name” column, renamed ETX0–ETX3: is now ETX0–ETX1 <p>Table 38-7 “Register Mapping”:</p> <ul style="list-style-type: none"> - inserted reserved space at offsets 0x8C and 0xBC - added reset value for Network Status Register <p>Section 38.6.2 “Network Configuration Register”:</p> <ul style="list-style-type: none"> - updated EFRHD bit description - deleted sentence “The value of this pin is reflected on the speed pin” from description of SPD bit - deleted phrase “Also controls the half_duplex pin” from description of FD bit <p>Section 38.6.3 “Network Status Register”: updated bit descriptions</p> <p>Section 38.6.9 “Interrupt Enable Register”: updated MFD and TXERR bit descriptions</p> <p>Section 38.6.10 “Interrupt Disable Register”: updated MFD and TXERR bit descriptions</p> <p>Section 38.6.11 “Interrupt Mask Register”: updated MFD and TXERR bit descriptions</p> <p>Section 38.6.12 “PHY Maintenance Register”:</p> <ul style="list-style-type: none"> - below bitmap, added note “To read clause 45 PHYs, bits[31:28] should be written as 0x0011. This overlaps the SOF and RW fields.” - updated descriptions of DATA, CODE, REGA, RW, and SOF <p>Section 38.6.14 “Hash Register Bottom”: updated ADDR field description</p> <p>Section 38.6.15 “Hash Register Top”: updated ADDR field description</p> <p>Section 38.6.16 “Specific Address 1 Bottom Register”: updated ADDR field description</p> <p>Section 38.6.17 “Specific Address 1 Top Register”: updated ADDR field description</p> <p>Section 38.6.18 “Specific Address 2 Bottom Register”: updated ADDR field description</p> <p>Section 38.6.19 “Specific Address 2 Top Register”: updated ADDR field description</p> <p>Section 38.6.20 “Specific Address 3 Bottom Register”: updated ADDR field description</p> <p>Section 38.6.21 “Specific Address 3 Top Register”: updated ADDR field description</p> <p>Section 38.6.22 “Specific Address 4 Bottom Register”: updated ADDR field description</p> <p>Section 38.6.23 “Specific Address 4 Top Register”: updated ADDR field description</p>

Table 60-3: SAMA5D3 Datasheet Rev. 11121E Revision History (Continued)

Issue Date	Comments
03-Feb-15	<p>Section 39. “High Speed Multimedia Card Interface (HSMCI)”</p> <p>Section 39.1 “Description”: in fourth paragraph, removed sentence “Only one slot can be selected at a time (slots are multiplexed)”</p> <p>Section 39.6.3 “Interrupt Sources”: changed title (was “Interrupt”)</p> <p>Section 39.14.12 “HSMCI Status Register”: reworded means of clearing a bit in relevant bit descriptions</p>
	<p>Section 40. “Serial Peripheral Interface (SPI)”</p> <p>Instances of “master clock (MCK)” or “MCK” replaced with “peripheral clock”</p> <p>Section 40.2 “Embedded Characteristics”: reorganized bullet list; added bullet “Register Write Protection”</p> <p>Updated Figure 40-1 “Block Diagram”</p> <p>Section 40.7.1 “Modes of Operation”: updated text relating to Slave mode</p> <p>Updated Figure 40-3 “SPI Transfer Format (NCPHA = 1, 8 bits per transfer)”</p> <p>Updated Figure 40-4 “SPI Transfer Format (NCPHA = 0, 8 bits per transfer)”</p> <p>Updated Section 40.7.3 “Master Mode Operations”</p> <p>Corrected Figure 40-7 “Master Mode Flow Diagram”</p> <p>Section 40.7.3.5 “Peripheral Selection”: in last paragraph, replaced “If LASTXFER is used, the command must be issued before writing the last character” with “If LASTXFER is used, the command must be issued after writing the last character”</p> <p>Section 40.7.3.8 “Peripheral Deselection without DMA”: in last paragraph, replaced “the Last Transfer (LASTXFER) bit in the SPI_MR must be set to 1 before writing the last data to transmit into the SPI_TDR” with “the Last Transfer (LASTXFER) bit in SPI_CR must be set after writing the last data to transmit into SPI_TDR”</p> <p>Section 40.7.5 “Register Write Protection”: changed title (was “Write Protected Registers”); reworded content</p> <p>Table 40-5 “Register Mapping”: modified SPI_SR reset value from 0x000000F0 to 0x0</p> <p>Section 40.8.1 “SPI Control Register”: modified description of bit SPIDIS</p> <p>Section 40.8.2 “SPI Mode Register”: in DLYBCS field description, replaced “If DLYBCS is less than or equal to six” with “If DLYBCS is lower than six”</p> <p>Section 40.8.5 “SPI Status Register”: added “(automatically set / cleared)” or “(cleared on read)” to relevant bit descriptions</p> <p>Section 40.8.9 “SPI Chip Select Register”: updated CSNAAT bit description and SCBR, DLYBS, and DLYBCT field descriptions</p> <p>Section 40.8.10 “SPI Write Protection Mode Register”: updated WPEN bit description</p> <p>Section 40.8.11 “SPI Write Protection Status Register”: updated WPVSR field description</p>
	<p>Section 41. “Two-wire Interface (TWI)”</p> <p>Replaced instances of “shift register” with “internal shifter”</p> <p>Section 41.1 “Description”: deleted sentence “Arbitration of the bus is performed internally and puts the TWI in slave mode automatically if the bus arbitration is lost.”</p> <p>Table 41-1 “Atmel TWI Compatibility with I2C Standard” : added clock synchronization as a supported feature</p> <p>Section 41.2 “Embedded Characteristics”: deleted bullet “3 TWIs”; added bullet “Register Write Protection”</p> <p>Figure 41-1 “Block Diagram”: renamed “APB Bridge” to “Peripheral Bridge”; renamed “MCK” to “Peripheral clock”; reorganized connectivity to add “Bus clock”</p> <p>Replaced Section 41.5. “Application Block Diagram” with updated Section 41.5 “I/O Lines Description”</p> <p>Renamed Section 41.6.3 “Interrupt Sources” (was “Interrupt”)</p> <p>Moved Section 41.7.3 “Master Mode”, Section 41.7.4 “Multi-master Mode”, Section 41.7.5 “Slave Mode”, and Section 41.7.6 “Register Write Protection” into Section 41.7 “Functional Description”</p> <p>Figure 41-4 “Master Mode Typical Application Block Diagram”: renamed lines from host with SDA and SCL; placed TWD and TWCK in host block</p>

SAMA5D3 SERIES

Table 60-3: SAMA5D3 Datasheet Rev. 11121E Revision History (Continued)

Issue Date	Comments
03-Feb-15	<p>Section 41. “Two-wire Interface (TWI)” (cont’d)</p> <p>Section 41.7.3.3 “Programming Master Mode”: added note “If the TWI is already in Master mode, the device address (DADR) can be configured without disabling the Master mode” to end of section</p> <p>Updated Section 41.7.3.4 “Master Transmitter Mode”</p> <p>Section 41.7.3.5 “Master Receiver Mode”:</p> <ul style="list-style-type: none"> - removed “after the STOP condition” from end of second sentence in second paragraph - removed reference to clock stretching in the “Warning” (clock stretching is a slave-only mechanism) <p>Figure 41-10 “Master Read Wait State with Multiple Data Bytes”: changed title and figure to remove references to clock stretching reference (slave-only mechanism)</p> <p>Section 41.7.3.7 “Using the DMA Controller”: in data transmit and receive procedures, replaced instances of “(Optional) Wait for the TXCOMP flag in TWI_SR before disabling the peripheral clock if required” with “(Only if peripheral clock must be disabled) Wait for the TXCOMP flag to be raised in TWI_SR”</p> <p>Section 41.7.3.9 “Read/Write Flowcharts”: reworded first sentence to remove unneeded links to figures</p> <p>Figure 41-24 “Slave Mode Typical Application Block Diagram”: renamed host output lines as “SDA” and “SCL”; placed “TWD” and “TWCK” in host block</p> <p>Section “Clock Synchronization Sequence”: removed reference to TWI_THR</p> <p>Section “Clock Stretching Sequence”: added section which refers only to TWI_THR</p> <p>Figure 41-25 “Read Access Ordered by a Master” and Figure 41-26 “Write Access Ordered by a Master”: replaced EOSVACC with EOSACC)</p> <p>Figure 41-27 “Master Performs a General Call”: replaced GCACC with GACC</p> <p>Section “Clock Synchronization/Stretching”: changed the section name, added some details, corrected clock synchronization/stretching usage errors.</p> <p>Section “Clock Synchronization in Write Mode”: at end of last sentence, changed “in Read mode” to “in Write mode”</p> <p>Figure 41-29 “Clock Synchronization in Write Mode”: replaced “SCL is stretched” with “TWCK is stretched”</p> <p>Section 41.7.5.6 “Using the DMA Controller”: in data transmit and receive procedures, replaced instances of “(Optional) Wait for the TXCOMP flag in TWI_SR before disabling the peripheral clock if required” with “(Only if peripheral clock must be disabled) Wait for the TXCOMP flag to be raised in TWI_SR”</p> <p>Figure 41-32 “Read Write Flowchart in Slave Mode”: replaced “RXRDY= 0 ?” with “RXRDY= 1 ?”; changed “SVREAD = 0” to “SVREAD = 1”</p> <p>Section 41.7.6 “Register Write Protection”: changed title (was “Write Protection System”); updated content</p> <p>Section 41.8 “Two-wire Interface (TWI) User Interface”: removed line “Reset:” from register description sections (redundant with Table 41-7 “Register Mapping”)</p> <p>Table 41-7 “Register Mapping”: replaced TWI_THR reset value “0x00000000” with “–”</p> <p>Section 41.8.1 “TWI Control Register”: removed reset value from this write-only register; updated descriptions of bits MSEN and SVEN</p> <p>Section 41.8.2 “TWI Master Mode Register”: in START bit description, replaced “defined in the mode register” with “defined in the TWI Master Mode Register (TWI_MMR)”</p> <p>Section 41.8.5 “TWI Clock Waveform Generator Register”: replaced “SCL” with “TWCK in descriptions of fields CLDIV, CHDIV, and CKDIV; replaced t_{mck} with $t_{\text{peripheral clock}}$ in CLDIV and CHDIV field descriptions</p> <p>Section 41.8.6 “TWI Status Register”: updated flag clearing descriptions in relevant bit descriptions</p> <p>Section 41.8.7 “TWI Interrupt Enable Register”: removed reset value from this write-only register</p> <p>Section 41.8.8 “TWI Interrupt Disable Register”: removed reset value from this write-only register</p> <p>Section 41.8.11 “TWI Transmit Holding Register”: removed reset value from this write-only register</p> <p>Section 41.8.12 “TWI Write Protection Mode Register”: replaced list of protectable registers with link to Section 41.7.6 “Register Write Protection”</p> <p>Section 41.8.13 “TWI Write Protection Status Register”: updated WPVSRC field description</p>

Table 60-3: SAMA5D3 Datasheet Rev. 11121E Revision History (Continued)

Issue Date	Comments
03-Feb-15	<p>Section 42. “Synchronous Serial Controller (SSC)”</p> <p>Figure 42-1 “Block Diagram”: renamed “APB Bridge” to “Peripheral Bridge”; renamed “MCK” to “Peripheral clock”; added “Bus Clock” from PMC to Peripheral Bridge and to DMA</p> <p>Moved Section 42.5 “SSC Application Examples” to follow Section 42.4 “Application Block Diagram”</p> <p>Figure 42-5 “Time Slot Application Block Diagram”: removed arrowhead going into “CODEC Second Time Slot” from “Data In” line</p> <p>Section 42.8 “Functional Description”: replaced instances of “Master Clock” with “peripheral clock”</p> <p>Moved Section 42.8.10 “Register Write Protection” into Section 42.8 “Functional Description”</p> <p>Figure 42-6 “SSC Functional Block Diagram”: renamed “MCK” to “Peripheral Clock”</p> <p>Figure 42-7 “Divided Clock Block Diagram”: renamed “MCK” to “Peripheral Clock”</p> <p>Figure 42-8 “Divided Clock Generation”: renamed “Master Clock” to “Peripheral Clock”; replaced “MCK” with “peripheral clock”</p> <p>Section 42.8.5.1 “Frame Sync Data”: replaced “has a maximum value of 16” with “has a maximum value of 256” at end of second paragraph</p> <p>Figure 42-15 “Receive Compare Modes”: deleted instance of “Up to 16 bits (4 in this example)” under FSLEN label</p> <p>Section 42.8.6.1 “Compare Functions”: replaced “maximum value of 16 bits” with “maximum value of 256 bits” at end of first sentence</p> <p>Table 42-4 “Data Frame Registers”: replaced “Up to 16” with “Up to 256” as length for field FSLEN</p> <p>Section 42.9 “Synchronous Serial Controller (SSC) User Interface”: changed title (was “Write Protection Registers”) and revised content</p> <p>Table 42-5 “Register Mapping”: corrected reserved space (was offsets 0x50–0xFC; is now offsets 0x50–0xE0 and 0xEC–0xFC)</p> <p>Section 42.9.2 “SSC Clock Mode Register”: in DIV field description, renamed “Master Clock” to “peripheral clock”; replaced “MCK” with “peripheral clock”</p> <p>Section 42.9.6 “SSC Transmit Frame Mode Register”: in FSOS field description, replaced three instances of RF pin with TF pin</p> <p>Section 42.9.17 “SSC Write Protection Mode Register”: removed reset value (register reset values are provided in Table 42-5 “Register Mapping”); updated WPEN bit description</p> <p>Section 42.9.18 “SSC Write Protection Status Register”: removed reset value (register reset values are provided in Table 42-5 “Register Mapping”); updated WPVSR field description</p>
	<p>Section 43. “Debug Unit (DBGU)”</p> <p>Minor format and content updates; “master clock” or “MCK” replaced with “peripheral clock”</p> <p>Added digital filter description</p> <p>Updated Figure 43-1 “Debug Unit Functional Block Diagram”</p> <p>Updated EPROC and ARCH descriptions in Section 43.6.10 “Debug Unit Chip ID Register”</p>
	<p>Section 44. “Universal Asynchronous Receiver Transmitter (UART)”</p> <p>Figure 44-1 “UART Block Diagram”: changed ‘MCK’ to ‘peripheral clock’; added ‘bus clock’ to diagram</p> <p>Added Table 44-3 “Peripheral IDs”</p> <p>Section 44.5.1 “Baud Rate Generator”: deleted equation for Baud Rate calculation (now in Section 44.6.9 “UART Baud Rate Generator Register”)</p> <p>Figure 44-2 “Baud Rate Generator”: changed ‘MCK’ to ‘peripheral clock’</p> <p>Section 44.5.2.4 “Receiver Overrun”: replaced “(or the Peripheral Data Controller or DMA Controller)” with “(or the DMA Controller)”</p> <p>Section 44.6.9 “UART Baud Rate Generator Register”: added equation to CD bit description</p>

SAMA5D3 SERIES

Table 60-3: SAMA5D3 Datasheet Rev. 11121E Revision History (Continued)

Issue Date	Comments
03-Feb-15	<p>Section 45. “Universal Synchronous Asynchronous Receiver Transceiver (USART)” Replaced all instances of ‘master clock’ / ‘MCK’ with ‘peripheral clock’</p> <p>Section 45.2 “Embedded Characteristics”: - added bullet “Digital Filter on Receive Line” - added bullet “Register Write Protection”</p> <p>Section 45.3 “Block Diagram”: removed table “SPI Operating Mode” (information is already present in Table 45-1 “I/O Line Description”)</p> <p>Revised Figure 45-1 “USART Block Diagram”</p> <p>Removed section 45.4 “Application Block Diagram”</p> <p>Section 45.5.3 “Interrupt Sources”: changed title (was “Interrupt”); deleted sentence “Note that it is not recommended to use the USART interrupt line in edge sensitive mode”</p> <p>Section 45.6 “Functional Description”: removed list of peripheral characteristics that was redundant with Section 45.2 “Embedded Characteristics”</p> <p>Section 45.6.1 “Baud Rate Generator”: updated text and Figure 45-2 “Baud Rate Generator”: Section 45.6.1.3 “Baud Rate in Synchronous Mode or SPI Mode”: replaced “CLK0” with “CLKO”</p> <p>Figure 45-3 “Fractional Baud Rate Generator”: added CLK0 = 0 and CLK0 = 1 to SCK pins</p> <p>Table 45-7 “Possible Values for the Fi/Di Ratio”: in top row, replaced “774” with “744”</p> <p>Section 45.6.3.3 “Asynchronous Receiver”: reworded third paragraph</p> <p>Section 45.6.3.4 “Manchester Decoder”: deleted paragraph referencing “RXIDLV bit in the US_MAN register”</p> <p>Section 45.6.3.8 “Parity”: reworded third paragraph</p> <p>Section 45.6.3.15 “Hardware Handshaking”: in third paragraph, deleted sentence “Using this mode requires using the DMAC channel for reception”</p> <p>Added Figure 45-27 “Receiver Behavior when Operating with Hardware Handshaking”</p> <p>Section 45.6.4.2 “Protocol T = 0”: - “Transmit Character Repetition”: updated third and fourth paragraphs - “Disable Successive Receive NACK”: updated last sentence</p> <p>Figure 45-36 “Example of RTS Drive with Timeguard”: updated to reposition RTS rising edge waveform</p> <p>Section 45.6.7.5 “Character Transmission”: INACK replaced by WRDBT</p> <p>Section 45.6.9 “Register Write Protection”: changed section title (was “Write Protection Registers”) and reworked text</p> <p>Table 45-14 “Register Mapping”: - added reset value ‘0x0’ for US_MR, US_CSR, and US_NER - changed US_MAN register description from “Manchester Encoder Decoder Register” to “Manchester Configuration Register” and corrected reset value to 0x30011004 (was 0xB0011004)</p> <p>Section 45.7.1 “USART Control Register”: updated descriptions of bits STTTO, RETTO, RTSEN, and RTSDIS</p> <p>Section 45.7.3 “USART Mode Register”: updated descriptions of USART_MODE field, USCLKS field, DSNACK bit, and FILTER bit</p> <p>Section 45.7.4 “USART Mode Register (SPI_MODE)”: deleted CHMODE field description (CHMODE field is not present in bitmap); added CLKO bit</p> <p>Section 45.7.11 “USART Channel Status Register”: updated all bit descriptions</p> <p>Rephrased clearing of flags in Section 45.7.12 “USART Channel Status Register (SPI_MODE)”</p> <p>Section 45.7.12 “USART Channel Status Register (SPI_MODE)”: updated all bit descriptions</p> <p>Section 45.7.15 “USART Baud Rate Generator Register”: restructured equations in CD field description</p> <p>Section 45.7.16 “USART Receiver Time-out Register”: restructured equation in TO field description</p>

Table 60-3: SAMA5D3 Datasheet Rev. 11121E Revision History (Continued)

Issue Date	Comments
03-Feb-15	<p>Section 45. “Universal Synchronous Asynchronous Receiver Transceiver (USART)” (cont’d)</p> <p>Section 45.7.17 “USART Transmitter Timeguard Register”: restructured equation in TG bit description</p> <p>Section 45.7.18 “USART FI DI RATIO Register”: modified width of FI_DI_RATIO field from 16 bits to 11 bits and updated descriptions of field values 1 and 2 as “Do not use”</p> <p>Section 45.7.22 “USART Write Protection Mode Register”: removed reset value (register reset values are found in Table 45-14 “Register Mapping”); changed register name and modified bit and field descriptions</p> <p>Section 45.7.23 “USART Write Protection Status Register”: removed reset value (register reset values are found in Table 45-14 “Register Mapping”); changed register name and modified bit and field descriptions</p>
	<p>Section 46. “Controller Area Network (CAN)”</p> <p>Replaced instances of “MCK” with “peripheral clock”</p>
	<p>Section 47. “Software Modem Device (SMD)”: no substantive changes</p> <p>Section 48. “Timer Counter (TC)”</p> <p>Section 48.1 “Description”: modified first paragraph to read “A Timer Counter (TC) module includes three identical TC channels. The number of implemented TC modules is device specific.”</p> <p>Section 48.2 “Embedded Characteristics”: deleted “Two global registers that act on all TC channels” from bullet list</p> <p>Moved Table 48-1 “Timer Counter Clock Assignment” from Section 48.1 “Description” to Section 48.3 “Block Diagram”</p> <p>Section 48.5.3 “Interrupt Sources”: changed title (was “Interrupt”); rephrased text and added Table 48-5 “Peripheral IDs”</p> <p>Section 48.6.15 “Register Write Protection”: inserted sentence “The Timer Counter clock of the first channel must be enabled to access TC_WPMR.”</p> <p>Section 48.7.2 “TC Channel Mode Register: Capture Mode”: in ‘Name’ line, replaced “(WAVE = 0)” with “(CAPTURE_MODE)”</p> <p>Section 48.7.3 “TC Channel Mode Register: Waveform Mode”: in ‘Name’ line, replaced “(WAVE = 1)” with “(WAVEFORM_MODE)”</p> <p>Section 48.7.9 “TC Status Register”: added “(cleared on read)” to relevant bit descriptions</p> <p>Section 48.7.15 “TC Write Protection Mode Register”: updated WPEN bit description</p>
<p>Section 49. “Pulse Width Modulation Controller (PWM)”</p> <p>Throughout: replaced instances of “Master Clock (MCK)”, standalone instances of “MCK” or “master clock” with “peripheral clock”; corrected instances of register name “PWM_CPRx” to “PWM_CPRDx” (PWM_CPRx does not exist)</p> <p>Section 49.1 “Description”: minor rewording of text</p> <p>Section 49.2 “Embedded Characteristics”: renamed bullet “Programmable Fault/Break Inputs ... Outputs” to “Programmable Fault Inputs ... Outputs”</p> <p>Section 49.5.2 “Power Management”: deleted sentence “In the PWM description, Master Clock (MCK) is the clock of the peripheral bus to which the PWM is connected.”</p> <p>Section 49.6 “Functional Description”: replaced two instances of “PWM macrocell” with “PWM controller”</p> <p>Figure 49-5 “Waveform Properties”: corrected the Output Waveform OCx signal polarity for CPOL(PWM_CM Rx) = 1</p> <p>Section 49.6.2.7 “Synchronous Channels”: corrected references to bits, fields and registers in fourth paragraph</p> <p>Table 49-5 “Summary of the Update of Registers of Synchronous Channels”: inserted “Register” as header for left-hand column</p> <p>Added Figure 49-15 “Event Line Generation Waveform (Example)”</p> <p>Table 49-6 “Register Mapping”: deleted reset value from PWM_SCUPUPD (this register is write-only)</p> <p>Section 49.7.23 “PWM Fault Mode Register”: minor rewording in FPOL, FMOD, and FFIL field descriptions</p> <p>Section 49.7.24 “PWM Fault Status Register”: minor rewording in FIV and FS field descriptions</p>	

SAMA5D3 SERIES

Table 60-3: SAMA5D3 Datasheet Rev. 11121E Revision History (Continued)

Issue Date	Comments
03-Feb-15	<p>Section 49. "Pulse Width Modulation Controller (PWM)" (cont'd)</p> <p>Section 49.7.25 "PWM Fault Clear Register": minor rewording in FCLR field description</p> <p>Section 49.7.27 "PWM Fault Protection Enable Register": minor rewording in FPEX field description</p> <p>Section 49.7.30 "PWM Write Protection Control Register": removed reset value; below bitmap, inserted sentence "See Section 49.6.6 "Register Write Protection" for the list of registers that can be write-protected"; removed list of register groups</p> <p>Section 49.7.31 "PWM Write Protection Status Register": removed reset value; updated WPVSR field description; deleted two notes "The two LSBs of the address offset of the write-protected register are not reported" and "Reading PWM_WPSR automatically clears WPVS and WPVSR fields"</p> <p>Section 49.7.36 "PWM Channel Mode Register": changed CPRE field values from binary to decimal format</p> <p>Section 50. "Analog-to-Digital Converter (ADC)"</p> <p>Replaced instances of "ADCClock" with "ADC clock" or acronym "ADCCLK"</p> <p>Replaced all references to "MCK" with "peripheral clock"</p> <p>Replaced references to "vrefin" with "V_{ADVREF}"</p> <p>Revised Section 50.6.1 "Analog-to-Digital Conversion"</p> <p>Figure 50-1 "Analog-to-Digital Converter Block Diagram": added bus clock; added ADCClock output from Control Logic block</p> <p>Added Section 50.6.2 "ADC Clock"</p> <p>Section 50.6.3 "ADC Reference Voltage": changed title (was "Conversion Reference")</p> <p>Section 50.6.4 "Conversion Resolution": changed "The ADC supports 12-bit resolutions" to read "The ADC analog cell features 12-bit resolution"</p> <p>Section 50.6.5 "Conversion Results": reworded content and corrected instances of "ADC_SR" to "ADC_ISR"</p> <p>Figure 50-5 "EOCx, OVREx and GOVREx Flag Behavior": changed title (was "GOVRE and OVREx Flag Behavior") and modified warning text below diagram</p> <p>Section 50.6.6 "Conversion Triggers": removed redundant content from first bullet</p> <p>Added note to clarify ADC_SEL in Figure 50-13 "Insertion of Touchscreen Sequences (TSFREQ = 2; TSAV = 1)"</p> <p>Section 50.6.13.9 "Pen Detect Method": corrected instances of "ADC_SR" to "ADC_ISR"</p> <p>Section 50.6.8 "Comparison Window": reworked text; removed paragraph on LOWRES bit use</p> <p>Section 50.6.9 "Differential Inputs": replaced two tables "Input Pins and Channel Number in Single-ended Mode" and "Input Pins and Channel Number In Differential Mode" with single Table 50-4 "Input Pins and Channel Numbers"</p> <p>Section 50.6.10 "Input Gain and Offset": all references to "OFFSET" bit changed to "OFFx"</p> <p>Table 50-5 "Gain of the Sample and Hold Unit" and Table 50-6 "Offset of the Sample and Hold Unit" modified for clarity</p> <p>Section 50.6.12 "Automatic Calibration": removed sentence on ADC running mode</p> <p>Section 50.6.13.8 "Measured Values, Registers and Flags": deleted rogue text fragment "for classic ADC conversions" from end of first paragraph; in fifth paragraph, corrected bit name to CALIB to TSCALIB</p> <p>Added Figure 50-15 "Buffer Structure"</p> <p>Reworked Section 50.6.16 "Register Write Protection"</p> <p>Section 50.7.1 "ADC Control Register": in TSCALIB bit description, corrected "last data converted register (ADC_LDCR)" to "ADC Last Converted Data Register (ADC_LCDR)"</p> <p>Section 50.7.2 "ADC Mode Register"</p> <ul style="list-style-type: none"> - added name 'ADC_TRG7' in TRGSEL field values table - updated equation in PRESCAL field description - updated equation in TRANSFER field description <p>Section 50.7.6 "ADC Channel Disable Register": modified warning text below CHx bit description</p>

Table 60-3: SAMA5D3 Datasheet Rev. 11121E Revision History (Continued)

Issue Date	Comments
03-Feb-15	<p>Section 50. “Analog-to-Digital Converter (ADC)” (cont’d)</p> <p>Section 50.7.12 “ADC Interrupt Status Register”: updated descriptions of all bits except EOCAL and PENS</p> <p>Section 50.7.13 “ADC Overrun Status Register”: removed note “An overrun error does not always mean ... for details.”</p> <p>Section 50.7.14 “ADC Extended Mode Register”: updated CMPFILTER field description; in TAG bit description, corrected “ADC_LDCCR” to “ADC_LCDCR”</p> <p>Section 50.7.16 “ADC Channel Gain Register”: updated GAINx field description</p> <p>Section 50.7.24 “ADC Trigger Register”: updated TRGMOD field description</p> <p>Reworked Section 50.7.25 “ADC Write Protection Mode Register”</p> <p>Reworked Section 50.7.26 “ADC Write Protection Status Register”</p>
	<p>Section 51. “True Random Number Generator (TRNG)”: no substantive changes</p>
	<p>Section 52. “Advanced Encryption Standard (AES)”</p> <p>Section 52.1 “Description”: in second paragraph, replaced “Peripheral DMA Controller channels” with “DMA Controller channels”</p> <p>Added Section 52.4.1 “AES Register Endianism”</p> <p>Section 52.4.2 “Operation Modes”: updated content relative to 1 megabyte limitation when initialization vector is other than 0; updated text at end of section</p> <p>Restructured Section 52.4.4 “Start Modes” to include Section 52.4.4.3 “DMA Mode”</p> <p>Restructured Section 52.4.5 “Last Output Data Mode” to include Section 52.4.5.1 “Manual and Auto Modes” and Section 52.4.5.2 “DMA Mode”</p> <p>Section 52.4.5.1 “Manual and Auto Modes”: under “If AES_MR.LOD = 1”, deleted “so before the start of a new transfer” in first sentence</p> <p>Section 52.4.5.2 “DMA Mode”: under “If AES_MR.LOD = 1”, in first sentence, replaced “This mode is recommended” with “This mode is optimized”</p> <p>Figure 52-4 “DMA transfer with AES_MR.LOD = 1”: repositioned rising edge of BTC (channel 0)</p> <p>Migrated Section 52.4.6 “Security Features” into to Section 52.4 “Functional Description”</p> <p>Section 52.5.2 “AES Mode Register”: updated formula in PROCDLY field description</p> <p>Section 52.5.6 “AES Interrupt Status Register”: updated DATRDY, URAD, and URAT bit descriptions</p>
<p>Section 53. “Triple Data Encryption Standard (TDES)”</p> <p>Section 53.1 “Description”: added detail on referenced storage registers in third paragraph</p> <p>Section 53.2 “Embedded Characteristics”: added bullets “Supports eXtended Tiny Encryption Algorithm (XTEA)” and “128-bit key for XTEA and Programmable Round Number up to 64”</p> <p>Section 53.4 “Functional Description”:</p> <ul style="list-style-type: none"> - transferred TDES algorithm descriptions from bullet list to new Table 53-2 “TDES Algorithms Summary” - added XTEA content below fifth paragraph <p>Section 53.4.2.1 “Manual Mode”: numbered sequence steps (were previously bullets)</p> <p>Section 53.3.2 “Interrupt Sources”: changed title (was “Interrupt”); replaced instance of “Advanced Interrupt Controller (AIC)” with “interrupt controller”; replaced instance of “AIC” with “interrupt controller”</p> <p>Table 53-6 “Register Mapping”:</p> <ul style="list-style-type: none"> - added XTEA Rounds Register (TDES_XTEA_RNDR) - defined offset ranges 0x68–0x6C and 0x74–0xFC as “Reserved” <p>Section 53.5.2 “TDES Mode Register”: changed TDESMOD width from one to two bits and updated field description</p> <p>Section 53.5.6 “TDES Interrupt Status Register”: updated descriptions of DATRDY bit, URAD bit and URAT field</p> <p>Section 53.5.7 “TDES Key 1 Word Register x”: updated KEY1W field description with XTEA mode content</p>	

SAMA5D3 SERIES

Table 60-3: SAMA5D3 Datasheet Rev. 11121E Revision History (Continued)

Issue Date	Comments
03-Feb-15	<p>Section 53. “Triple Data Encryption Standard (TDES)” (cont’d)</p> <p>Section 53.5.8 “TDES Key 2 Word Register x”: updated KEY2W field description with XTEA mode content</p> <p>Section 53.5.9 “TDES Key 3 Word Register x”: updated note with XTEA mode content</p> <p>Added Section 53.5.13 “TDES XTEA Rounds Register”</p>
	<p>Section 54. “Secure Hash Algorithm (SHA)”</p> <p>Changed hexadecimal bit and field configuration values to decimal values</p> <p>Section 54.3.2 “Interrupt Sources”: modified title (was “Interrupt”)</p> <p>Section 54.4.4.1 “Manual Mode”: numbered sequence steps (were previously bullets)</p> <p>Revised Section 54.4.4.3 “DMA Mode”</p> <p>Section 54.4.4.4 “SHA Register Endianism”: rephrased first part of section; fixed typos (corrected values in the examples, corrected number of IO registers)</p> <p>Modified offset of reserved space in Table 54-2 “Register Mapping”</p> <p>Section 54.5.6 “SHA Interrupt Status Register”: updated descriptions of bits DATRDY and URAD and field URAT</p> <p>Section 54.5.8 “SHA Input/Output Data Register x”: in IODATA field description, replaced two instances of “must not be taken into account” with “must be ignored”</p>
	<p>Section 54. “Electrical Characteristics”</p> <p>Updated and harmonized use of symbols throughout</p> <p>Table 54-5 “Power Consumption by Peripheral in Active Mode (TA 25°C, TA 85°C and TA 105°C)”: corrected DBGU max frequency from MCK/2 to MCK</p> <p>Table 54-8 “VDDCORE Power Consumption in Ultra Low-Power Mode (AMP2)”: removed row for “ULP 512 Hz” mode</p> <p>Table 54-11 “Main Oscillator Characteristics”: removed link to table footnote 1 from symbol C_{LOAD}</p> <p>Table 54-13 “XIN Clock Electrical Characteristics”: in table note, replaced “when MOSCEN = 0 and OSCBYPASS = 1) in the CKGR_MOR” with “when MOSCXTEN = 0 and MOSCXTBY = 1) in the CKGR_MOR”</p> <p>Table 54-16 “32 kHz Crystal Characteristics”: corrected instances of “32768 kHz” to “32.768 kHz”</p> <p>Table 54-17 “XIN32 Clock Characteristics”: in table footnote, corrected instance of “32768 kHz” to “32.768 kHz”</p> <p>Figure 54-7. “Simplified Acquisition Path”: added caption “ADC Input” between Z_{SOURCE} and R_{ON}; replaced caption “12-bit ADC Core” with “12-bit ADC”</p> <p>Section 54.14.1 “Maximum SPI Frequency”: under “Master Read Mode”, replaced “For Atmel SPI DataFlash (AT45DB642D), t_{valid} (or t_v) is 12 ns Max. This gives” with “For a non-volatile memory with t_{valid} (or t_v) = 12 ns Max,”</p> <p>Section 54.14.2 “SPI Timing Conditions”: deleted sentence “These values may be product dependent and should be confirmed by the specification” from end of section</p> <p>Section 54.16.1 “SSC Timing Conditions”: deleted sentence “These values may be product dependant and should be confirmed by the specification” from end of section</p> <p>Table 54-60 “SSC Timings with 3.3V Peripheral Supply”:</p> <ul style="list-style-type: none"> - removed footnote “Timings SSC4 and SSC7 depend...” - updated conditions and values for SSC4 and SSC7 <p>Table 54-61 “SSC Timings with 1.8V Peripheral Supply”:</p> <ul style="list-style-type: none"> - removed links to footnote “Timings SSC4 and SSC7 depend...” - updated conditions and values for SSC4 and SSC7 <p>Section 54.17.1 “ISI Timing Conditions”: deleted sentence “These values may be product dependant and should be confirmed by the specification” from end of section</p> <p>Section 54.19.1 “EMAC/GMAC Timing Conditions”: deleted sentence “These values may be product dependant and should be confirmed by the specification” from end of section</p>

Table 60-3: SAMA5D3 Datasheet Rev. 11121E Revision History (Continued)

Issue Date	Comments
03-Feb-15	<p>Section 54. "Electrical Characteristics" (cont'd)</p> <p>Section 54.21.1 "USART Timing Conditions": deleted sentence "These values may be product dependant and should be confirmed by the specification" from end of section</p> <p>Figure 54-36. "Two-wire Serial Bus Timing": renamed "SCL" to "TWCK"; renamed "SDA" to "TWD"</p> <p>Table 54-73 "Two-wire Serial Bus Requirements": updated symbol and min values for parameter "Bus free time between a STOP and START condition"</p>
	<p>Section 55. "Mechanical Characteristics": no substantive changes</p>
	<p>Section 56. "Schematic Checklist": no substantive changes</p>
	<p>Section 57. "Marking": no substantive changes</p>
	<p>Section 58. "Ordering Information"</p> <p>Table 58-1 "SAMA5D3 Ordering Information": corrected column header "Carrier Type" to "Package"; corrected column header "Packing" to "Carrier Type"; removed "Package Type" column (package type information is provided on the Atmel website)</p>
	<p>Section 59. "Errata"</p> <p>Reorganized order of errata sections</p> <p>Added Section 59.2 "Advanced Interrupt Controller (AIC)"</p> <p>Added Section 59.4.2 "MPDDRC: Self-refresh mode is not working with LPDDR1-SDRAM"</p> <p>Added Section 59.6.1 "DMAC: Not possible to enable write protection on DMAC0 and DMAC1"</p> <p>Added Section 59.8 "USB Host High Speed Port (UHPHS)"</p>

SAMA5D3 SERIES

Table 60-4: SAMA5D3 Datasheet Rev. 11121D Revision History

Issue Date	Comments
31-Mar-14	<p>Section 3. "Signal Description" Table 3-1 "Signal Description List": Corrected GTXCK type to output.</p>
	<p>Section 4. "Package and Pinout" Table 4-1 "SAMA5D3 Pinout for 324-ball LFBGA Package": Changed reset state for signals PE26 to PE31. Table 4-3 "SAMA5D3 I/O Type Description": Changed GPIO pull-up and pull-down typ values. Changed voltage range for RSTJTAG I/O type.</p>
	<p>Section 5. "Power Considerations" Table 5-1 "SAMA5D3 Power Supplies": for VDDOSC, added USB to column "Powers".</p>
	<p>Section 10. "Debug and Test" Updated content in Section 10.6.4 "Chip Access Using JTAG Connection".</p>
	<p>Section 11. "Standard Boot Strategies" Section 11.1 "Description": 3rd paragraph: Modified email address for information requests. Updated content of Note.</p>
	<p>Section 16. "Special Function Registers (SFR)" Added "DDR Configuration Register" in Table 16-1 "Register Mapping" and Section 16.3.1. Removed APB Bridge Configuration Register (not in product).</p>
	<p>Section 28. "Parallel Input/Output Controller (PIO)" Section 28.5.1 "Pull-up and Pull-down Resistor Control": Changed information to specify that pull-up or pull-down can be set. Section 28.5.3 "Peripheral A or B or C or D Selection": added two sentences on products that do not have A, B, C or D peripherals, beginning with "If the software selects a peripheral A,B,C or D which does not exist for a pin..." Table 28-3 "Register Mapping": changed reset value from 0x00000000 to 0xAAAAAAAA for two registers I/O Drive Register 1 and I/O Drive Register 2. Replaced all instances of "PIO clock" and "PIO controller clock" with "peripheral clock" In graphics, renamed "MCK" waveforms to "Peripheral clock" waveforms as needed</p>
	<p>Section 30. "Multi-port DDR-SDRAM Controller (MPDDRC)" Section 30.1 "Description": In 2nd paragraph, removed reference to 16-bit DDR-SDRAM. Section 30.2 "Embedded Characteristics": Removed redundant bullet 'Bus transfer: word, half word, byte access' Section 30.2 "Embedded Characteristics": In bullet 'Numerous configurations...', removed sub-bullet with information on 16-bit data path. and bullet with information on 256-Mbyte address space. Section 30.4.1 "Low-power DDR1-SDRAM Initialization": Step 9: Removed the sentence: "For example, with a 16-bit 128 Mbits SDRAM..." data path. Section 30.4.2 "DDR2-SDRAM Initialization": Steps 7, 8, 9, 16, 20: Removed the sentence: "For example, with a 16-bit 128 Mbits DDR2-SDRAM..." In Table 30-13 "Register Mapping" : - Changed offset of reserved space to 0x90-0xE0 from 0x94-0xE0. - Changed offset of reserved space to 0xEC-0x1FC from 0xEC-0xFC.</p>
	<p>Section 40. "Serial Peripheral Interface (SPI)" Section 40.7.3.9 "Peripheral Deselection with DMAC": Removed 2nd paragraph beginning with: "If chip select must be deasserted..." Table 40-5 "Register Mapping": Removed row with offset 0x100 - 0x124.</p>

Table 60-4: SAMA5D3 Datasheet Rev. 11121D Revision History (Continued)

Issue Date	Comments
	<p>Section 48. "Timer Counter (TC)"</p> <p>Replaced all occurrences of 'master clock' or 'MCK' with 'peripheral clock'.</p> <p>Removed all information on DMA capture as the feature is not embedded in SAMA5D3.</p> <ul style="list-style-type: none"> - 6th bullet in "Embedded Characteristics" - Section "Transfer with DMAC" and following figure. <p>Removed all information on quadrature decoder logic as the feature is not embedded in SAMA5D3:</p> <ul style="list-style-type: none"> - 8th sub-bullet in "Embedded Characteristics" - Section "Quadrature Decoder Logic" and all sub-sections and related figures - in Table 48-5 "Register Mapping", rows with TC_QIER, TC_QIDR, TC_QIMR and TC_QISR - registers 'TC QDEC Interrupt Enable Register', 'TC QDEC Interrupt Disable Register', 'TC QDEC Interrupt Mask Register' and 'TC QDEC Interrupt Status Register'. <p>Section 48.6.2 "32-bit Counter": replaced "0xFFFF" with "$2^{32}-1$" in first paragraph.</p> <p>Section 48.6.11.1 "WAVSEL = 00": replaced "0xFFFF" with "$2^{32}-1$" in first paragraph.</p> <p>Figure 48-9. WAVSEL = 10 without Trigger, Figure 48-10. WAVSEL = 10 with Trigger: replaced "0xFFFF" with "2^n-1".</p> <p>Section 48.6.11.3 "WAVSEL = 01": replaced "0xFFFF" with "$2^{32}-1$" in first paragraph</p> <p>Figure 48-13. WAVSEL = 11 without Trigger, Figure 48-14. WAVSEL = 11 with Trigger: replaced "0xFFFF" with "2^n-1".</p> <p>Section 48.7.3 "TC Channel Mode Register: Waveform Mode": Added addresses for all instances of the register.</p>
31-Mar-14	<p>Section 54. "Secure Hash Algorithm (SHA)"</p> <p>Changed from SHA_IODATAxR to SHA_IDATARx throughout.</p> <p>Changed from SHA_IDATAxR to SHA_IDATARx throughout.</p> <p>Section 54.5.8 "SHA Input/Output Data Register x": In IODATA bit description, 4th paragraph, corrected reference to IODATAR4 from IODATAR5.</p>
	<p>Section 54. Electrical Characteristics</p> <p>Table 54-2 "DC Characteristics": for VDDOSC, added USB in Conditions column.</p> <p>Table 54-5 "Power Consumption by Peripheral in Active Mode (TA 25°C, TA 85°C and TA 105°C)": Max Frequency column values now expressed as a function of MCK. Added UART and DBGU timings.</p> <p>Table 54-7 "VDDCORE Power Consumption in Idle Mode (AMP2)" and Table 54-8 "VDDCORE Power Consumption in Ultra Low-Power Mode (AMP2)": values are typical consumption</p> <p>Table 54-10 "Master Clock Waveform Parameters": added max values for two additional cases.</p> <p>Table 54-12 "Crystal Characteristics": added ESR max value for @ 12MHz condition.</p> <p>Section 54.11 12-bit ADC Characteristics: section updated throughout.</p> <p>Table 54-41 "Core Power Supply POR Characteristics", Table 54-13 "XIN Clock Electrical Characteristics": added condition for V_{th} parameter.</p> <p>In Section 54.13 SMC Timings, updated table columns and values in Table 54-46 "SMC Read Signals - NRD Controlled (READ_MODE = 1)", Table 54-47 "SMC Read Signals - NCS Controlled (READ_MODE = 0)", Table 54-48 "SMC Write Signals - NWE Controlled (WRITE_MODE = 1)", Table 54-49 "SMC Write NCS Controlled (WRITE_MODE = 0)".</p> <p>In Section 54.14 SPI Timings, added Section 54.14.1 Maximum SPI Frequency and updated values in Table 54-52 "SPI Timings with 3.3V Peripheral Supply and VDDCORE in [1.08V, 1.32V] Range", Table 54-53 "SPI Timings with 1.8V Peripheral Supply and VDDCORE in [1.08V, 1.32V] Range", Table 54-54 "SPI Timings with 3.3V Peripheral Supply and VDDCORE in [1.2V, 1.32V] Range" and Table 54-55 "SPI Timings with 1.8V Peripheral Supply and VDDCORE in [1.2V, 1.32V] Range".</p> <p>In Section 54.14.1 Maximum SPI Frequency: changed f_{SPCK} Max values to 48 MHz from 39 MHz .</p>

SAMA5D3 SERIES

Table 60-4: SAMA5D3 Datasheet Rev. 11121D Revision History (Continued)

Issue Date	Comments
31-Mar-14	In Section 54.15 MPDDRC Timings , updated values in Table 54-56 "System Clock Waveform Parameters" , Table 54-57 "System Clock Waveform Parameters" and Table 54-58 "System Clock Waveform Parameters" .
	In Section 54.17 ISI Timings , updated values in Table 54-63 "ISI Timings with Peripheral Supply 3.3V and VDDCORE in [1.08V, 1.32V] Range" to Table 54-66 "ISI Timings with Peripheral Supply 1.8V and VDDCORE in [1.2V, 1.32V] Range" .
	Added new Section 56. "Schematic Checklist"
	Section 59. "Errata" Added Section 59.1.1 "Boot ROM: Xmodem is not working" . Added Section 59.4.1 MPDDRC: LPDDR2 Refresh per bank is not working .

Doc. Rev. 11121C	Comments	Change Request Ref.
	"Description" - minor editorial changes - added SAMA5D36 device reference ("four SAMA5D3 devices" --> "five SAMA5D3 devices")	rfo 8822
	Section 1. "Features" Minor editorial and formatting changes Bullet "Memories": - replaced "Boot on NAND Flash" with "Boot on 8-bit NAND Flash" in first subbullet - replaced "DDR2/LPDDR/LPDDR2" with "DDR2/LPDDR/LPDDR2 with datapath scrambling" in third subbullet - replaced "Controller with SLC/MLC NAND Support" with "Controller with datapath scrambling and SLC/MLC NAND Support" in fourth subbullet Bullet "System running up to 166 MHz": deleted "Power-on Reset Cells" from first subbullet Bullet "Peripherals: deleted subbullet "Write Protected Registers" Inserted new bullet "Safety" (includes six subfeatures) Bullet "Security": deleted subbullet "SHA: Supports Secure Hash Algorithm (SHA1, SHA224, SHA256, SHA384, SHA512)" Introduced 324-ball TFBGA package Table 1-1 "SAMA5D3 Device Differences" : changed table title (was "SAMA5D3 Devices"); reorganized table content; added SAMA5D36 device	rfo rfo rfo rfo rfo rfo rfo 9035 rfo 8822
	Section 2. "Block Diagram" : added a note on peripheral bridges APB0/APB1 and updated Figure 2-1 "SAMA5D3 Block Diagram"	8956
	Section 3. "Signal Description" Table 3-1 "Signal Description List" : - removed empty columns "Frequency" and "Comments" - in DDR2/LPDDR Controller signals, replaced instances of "I/O/-PD" and "I/O- PD" with "I/O" - minor punctuation and formatting changes	rfo

Doc. Rev. 11121C	Comments	Change Request Ref.
	<p>Section 4. “Package and Pinout”</p> <p>Editorial changes and formatting changes; inserted dashes in all empty table cells</p> <p>Added Section 4.3 “324-ball TFBGA Package (12 x 12 x 1.2 mm, pitch 0.5 mm)”</p> <p>Added Section 4.4 “324-ball TFBGA Package Pinout”</p> <p>Table 4-1 “SAMA5D3 Pinout for 324-ball LFBGA Package”: inserted “Reference voltage” as “I/O Type” for pin C13</p> <p>Table 4-3 “SAMA5D3 I/O Type Description”: added column headers</p> <p>Table 4-4 “SAMA5D3 I/O Type Assignment and Frequency”: changed column header “I/O Frequency (MHz)” to read “Max I/O Frequency (MHz)”</p>	<p>rfo</p> <p>9035</p> <p>9035</p> <p>rfo</p> <p>rfo</p> <p>rfo</p>
	<p>Section 5. “Power Considerations”</p> <p>Minor punctuation and formatting changes</p> <p>Table 5-1 “SAMA5D3 Power Supplies”: updated “Powers” information for VDDOSC</p>	<p>rfo</p> <p>8818/rfo</p>
	<p>Section 6. “Memories”</p> <p>Minor editorial changes</p> <p>Figure 6-1 “Memory Mapping”: corrected register name (was SCKCR; is SCKC_CR)</p>	<p>rfo</p> <p>rfo</p>
	<p>Section 7. “Real-time Event Management”: minor formatting changes</p>	<p>rfo</p>
	<p>Section 8. “System Controller”</p> <p>Minor punctuation and formatting changes</p> <p>Figure 8-1 “SAMA5D3 System Controller Block Diagram”: corrected register name (was SCKCR; is SCKC_CR)</p> <p>Table 8-1 “Chip Identification of SAMA5D3 Devices”: added SAMA5D36 device</p>	<p>rfo</p> <p>rfo</p> <p>8822</p>
	<p>Section 9. “Peripherals”</p> <p>Minor editorial and formatting changes</p> <p>Section 9.3 “Peripheral Signal Multiplexing on I/O Lines”: updated content to reference additional multiplexing table for TFBGA324</p>	<p>rfo</p> <p>rfo</p>
	<p>Section 10. “ARM Cortex-A5 Processor”</p> <p>Minor formatting and editorial changes throughout</p> <p>Amended Section 10.1.1 “Power Management” with bullet list of main levels of power management</p> <p>Table 10-4 “CP15 Registers”: for register No. 12, replaced empty row with row “Interrupts management / Read/Write”</p> <p>Section 10.5.2 “Memory Management System”: deleted content “When the processor is put into dormant mode ... in the Cortex-A5 Technical Reference Manual, DDI0433” from end of section</p>	<p>8978</p> <p>rfo</p> <p>rfo</p>
	<p>Section 10. “Debug and Test”</p> <p>Removed RTCK references in Figure 10-1 “Debug and Test Block Diagram”, Table 10-1 “Debug and Test Pin List”, and Section 10.6.3 JTAG Signal Description (removed the last paragraph)</p>	<p>rfo</p>
	<p>Section 11. “Standard Boot Strategies”</p> <p>Minor editorial and formatting changes</p> <p>Updated note “JTAG access is disabled...”</p> <p>Table 11-1 Values of the Boot Sequence Controller Configuration Register: replaced column header “NAND Flash” with “8-bit NAND Flash”</p> <p>Section 11.4.4.1 “NAND Flash Boot: NAND Flash Detection”: added note “Booting on 16-bit NAND Flash is not possible; only 8-bit NAND Flash memories are supported” below bullet “Through the ONFI parameters...” and below “NAND Flash Specific Header Detection” bitmap</p>	<p>rfo</p> <p>rfo</p> <p>rfo</p> <p>rfo</p>

SAMA5D3 SERIES

Doc. Rev. 11121C	Comments	Change Request Ref.
	<p>Section 13. “Boot Sequence Controller (BSC)” Minor editorial and formatting changes throughout</p> <p>Section 13.4.1 “Boot Sequence Configuration Register”: - in description of field BOOT, replaced instance of BOOTKEY with WPKEY - changed name of field BOOTKEY to WPKEY and updated field description</p>	9006
	Section 14. “AXI Bus Matrix (AXIMX)” : No changes	
	Section 15. “Bus Matrix (MATRIX)” : No changes	
	<p>Section 16. “Special Function Registers (SFR)” Minor punctuation changes</p> <p>Table 16-1 “Register Mapping”: inserted reserved row for offsets 0x20–0x24</p>	8539
	<p>Section 17. “Advanced Interrupt Controller (AIC)” Minor formatting changes throughout</p> <p>Section 17.8.4.4 “Fast Interrupt Handlers”: replaced 6-step sequence with 5-step sequence (step 3 updated)</p> <p>Section 17.9.23 “AIC Write Protect Mode Register”: updated KEY field description</p>	rfo rfo
	<p>Section 18. “Watchdog Timer (WDT)” Section 18.1 “Description”: replaced “(slow clock at 32768 kHz)” with “(slow clock around 32 kHz)”</p> <p>Section 18.2 “Embedded Characteristics”: added “Watchdog Clock is independent from Processor Clock”</p> <p>Section 18.4 “Functional Description”: replaced “(with a typical Slow Clock of 32768 kHz)” with “(with a typical Slow Clock of 32.768 kHz)”</p> <p>Section 18.5.1 “Watchdog Timer Control Register”: updated KEY field description</p> <p>Section 18.5.2 “Watchdog Timer Mode Register”: - added note “The first write access prevents any further modification of the value of this register, read accesses remain possible” - added note “The WDD and WDV values must not be modified within a period of time of 3 slow clock periods following a restart of the watchdog performed by means of a write access in the WDT_CR register, else the watchdog may trigger an end of period earlier than expected.”</p> <p>Section 18.5.3 “Watchdog Timer Status Register”: deleted note “The WDD and WDV values ... of period earlier than expected.”</p>	rfo rfo rfo 8844 rfo rfo

Doc. Rev. 11121C	Comments	Change Request Ref.
	<p>Section 19. “Reset Controller (RSTC)”</p> <p>Minor editorial and formatting changes throughout</p> <p>Section 19.4.4.1 “General Reset”: replaced “remain valid for Y cycles” with “remain valid for 3 cycles”</p> <p>Section 19.4.4.4 “Software Reset”: removed phrase “Except for Debug purposes,” from “PERRST” bullet</p> <p>Section 19.5.1 “Reset Controller Control Register”: updated KEY field description</p> <p>Section 19.5.2 “Reset Controller Status Register”, in ‘RSTTYP’ field configuration table:</p> <ul style="list-style-type: none"> - replaced column headers “RSTTYP Reset/Type/Comments” with “Value/Name/Description” and replaced binary configuration values with decimal values’ - updated reset type names in ‘RSTTYP’ field description: <ul style="list-style-type: none"> -- was “General Reset”; is “GENERAL_RST” -- was “Wake Up Reset”; is “WKUP_RST” -- was “Watchdog Reset”; is “WDT_RST” -- was “Software Reset”; is “SOFT_RST” -- was “User Reset”; is “USER_RST” <p>Section 19.5.3 “Reset Controller Mode Register”: updated KEY field description</p>	<p>rfo</p> <p>rfo</p> <p>9017</p> <p>9043</p> <p>9043</p> <p>rfo</p> <p>9043</p>
	<p>Section 20. “Shutdown Controller (SHDWC)”</p> <p>Table 20-2 Register Mapping: added “0x0000_0003” as a reset value of SHDW_MR</p> <p>Section 20.7.1 “Shutdown Control Register”: updated KEY field description</p> <p>Section 20.7.2 “Shutdown Mode Register”: updated WKMODE0 and CPTWK0 field descriptions</p> <p>Section 20.7.3 “Shutdown Status Register”: updated WAKEUP0 field description</p>	<p>8828</p> <p>8869</p> <p>8432</p> <p>8432</p>
	<p>Section 21. “General-Purpose Backup Registers (GPBR)”: No changes</p>	
	<p>Section 22. “Periodic Interval Timer (PIT)”: No changes</p>	
	<p>Section 23. “Real-time Clock (RTC)”</p> <p>Section 23.2 “Embedded Characteristics”: added new bullet “Safety/security features” (includes “Valid Time and Date Programmation Check” as subbullet)</p> <p>Updated Section 23.5.3 “Alarm”</p> <p>Added note in Section 23.6.5 “RTC Time Alarm Register” and Section 23.6.6 “RTC Calendar Alarm Register”</p>	<p>8544</p> <p>8900/9027</p> <p>9027</p>
	<p>Section 24. “Slow Clock Controller (SCKC)”</p> <p>Minor editorial changes throughout</p> <p>Replaced all instances of “Read-write” with “Read/Write”</p> <p>Section 24.3 “Block Diagram”: corrected referenced register name (was “Slow Clock Configuration Register”; is “Slow Clock Controller Configuration Register”)</p> <p>Table 24-1 “Register Mapping”: corrected register name (was “Slow Clock Configuration Register”; is “Slow Clock Controller Configuration Register”)</p> <p>Section 24.5.1 “Slow Clock Controller Configuration Register”: corrected register name (was “Slow Clock Configuration Register”)</p>	<p>rfo</p> <p>rfo</p> <p>rfo</p> <p>rfo</p> <p>rfo</p>

SAMA5D3 SERIES

Doc. Rev. 11121C	Comments	Change Request Ref.
	<p>Section 25. "Fuse Controller (FUSE)" (relocated—was previously section 51)</p> <p>Minor editorial changes throughout</p> <p>Reformatted Table 25-1 "FUSE Bit Mapping"</p> <p>Section 25.4.2 "Fuse Programming":</p> <ul style="list-style-type: none">- in step 1, replaced "using the SWEL field" with "using the WSEL field"- in step 5, replaced "Check the WS bit of FUSE_SRx" with "Check the WS bit of FUSE_IR" <p>Reformatted register description sections</p> <p>Section 25.5.1 "Fuse Control Register": updated field descriptions</p>	rfo rfo rfo rfo rfo
	<p>"Clock Generator" section is now a subsection of Section 27. "Power Management Controller (PMC)"</p>	rfo

Doc. Rev. 11121C	Comments	Change Request Ref.
	<p>Section 27. “Power Management Controller (PMC)”</p> <p>Minor editorial and formatting changes throughout (including replacing instances of “Read-write” with “Read/Write”)</p>	rfo
	<p>Section 26.4 “Main Clock Selection”: removed “SAMA5D3” reference in first sentence</p>	8983
	<p>Updated Section 26.5.2 “12 MHz Fast RC Oscillator Clock Frequency Adjustment”</p>	8852
	<p>Updated Section 26.5.4 “Main Clock Oscillator Selection”</p>	rfo
	<p>Added Section 26.5.5 “Switching Main Clock between the Main RC Oscillator and Fast Crystal Oscillator”</p>	9425
	<p>Section 26.5.6 “Software Sequence to Detect the Presence of Fast Crystal”:</p> <ul style="list-style-type: none"> - updated register names (PLL_MCKR → PMC_MCKR, PLL_SR → PMC_SR) 	rfo
	<ul style="list-style-type: none"> - added “during this sequence the Main RC oscillator must be kept enabled (MOSCRGEN = 1)” to sequence introduction 	9245
	<p>Updated Figure 27-2 “General Clock Block Diagram”</p>	9022
	<p>Updated Section 27.6 “DDR2/LPDDR/LPDDR2 Clock”</p>	rfo
	<p>Section 27.11 “Programming Sequence”: revised content (changed total number of steps—was 6; is 10)</p>	rfo
	<p>Added Section 27.13 “Register Write Protection”</p>	rfo
	<p>Table 27-3 “Register Mapping”:</p> <ul style="list-style-type: none"> - changed PMC_PLLICPR access from “Write-only” to “Read/Write” - changed reset value (was 0x0100_0100; is 0x0000_0000) 	rfo
	<p>Section 27.14.8 “PMC Clock Generator Main Oscillator Register”:</p> <ul style="list-style-type: none"> - corrected order of field descriptions 	rfo
	<ul style="list-style-type: none"> - updated KEY field description 	8837
	<p>Added note in Section 27.14.9 “PMC Clock Generator Main Clock Frequency Register”</p>	8852
	<p>Section 27.14.14 “PMC Programmable Clock Register”: appended name PMC_PCKx with “[x = 0..2]”</p>	9071
	<p>Section 27.14.17 “PMC Status Register”: replaced “of the main on-chip RC oscillator clock” with “of the fast crystal oscillator clock” in the description of fields CFDEV and CFDS</p>	rfo
	<p>Section 27.14.20 “PLL Charge Pump Current Register”:</p> <ul style="list-style-type: none"> - changed access from “Write-only” to “Read/Write” - replaced “Should be written to 0” with “Should be written to 3” in description of field IPLL_PLLA 	rfo
	<p>Section 27.14.21 “PMC Write Protection Mode Register”:</p> <ul style="list-style-type: none"> - modified register name (was PMC Write Protect Mode Register) 	rfo
	<ul style="list-style-type: none"> - updated WPKEY field description 	8838
	<ul style="list-style-type: none"> - replaced list of protectable registers with cross-reference to section “Register Write Protection” 	rfo
	<p>Section 27.14.22 “PMC Write Protection Status Register”: modified register name (was PMC Write Protect Status Register) and updated description of field WPVSR</p>	rfo
	<p>Section 27.14.26 “PMC Peripheral Control Register”:</p> <ul style="list-style-type: none"> - changed access from “Write-only” to “Read-Write” - updated PID field description 	9085

SAMA5D3 SERIES

Doc. Rev. 11121C	Comments	Change Request Ref.
	Section 28. "Parallel Input/Output Controller (PIO)"	
	Figure 28-3 "I/O Line Control Logic" : added pull-down resistor and registers	rfo
	Section 28.5.14 "Register Write Protection" : Changed section title and revised content	rfo
	Section 28.7.29 "PIO Slow Clock Divider Debouncing Register" : below bitmap, replaced name "DIVx" with "DIV"	rfo
	Section 28.7.46 "PIO Write Protection Mode Register" : modified register name and aligned bit descriptions; replaced list of protectable registers with cross-reference to Section 28.5.14 "Register Write Protection"	8522/rfo rfo
	Section 28.7.47 "PIO Write Protection Status Register" : modified register name and aligned bit descriptions; removed note	rfo
	Section 28.7.48 "PIO Schmitt Trigger Register" : updated SCHMITTx field description	rfo
	Section 28. "External Memories" : No changes	

Doc. Rev. 11121C	Comments	Change Request Ref.
	<p>Section 29. “Multi-port DDR-SDRAM Controller (MPDDRC)” Formatting and editorial changes throughout</p>	
	<p>Updated Section 29.1 “Description”</p>	rfo
	<p>Section 29.2 “Embedded Characteristics”: - replaced “CAS Latency of 2, 3, 4, 5, 6 Supported” with “CAS Latency of 2, 3 Supported” - replaced “OCD (Off-chip Driver) Mode Not Supported” with “OCD (Off-chip Driver) mode, ODT (On-die Termination) are not supported” - added new bullet “Dynamic Scrambling with user key (no impact on bandwidth)”</p>	rfo rfo 9223
	<p>Section 29.5.1 “DDR-SDRAM Controller Write Cycle”: replaced “fixed to 2/3/4/5 in case of DDR2-SDRAM” with “fixed to 2 in case of DDR2-SDRAM”</p>	rfo
	<p>Section 29.5.2 “DDR-SDRAM Controller Read Cycle”: updated latency range (was 2 to 6; is 2 to 3) and corresponding number of anticipated read accesses</p>	rfo
	<p>Section 29.5.4 “Multi-port Functionality”: replaced “set at 2 or 6 cycles (CAS latency)” with “set at 2 or 3 cycles (CAS latency)”</p>	rfo
	<p>Added new Section 29.6 “Scrambling/Unscrambling Function”</p>	9223
	<p>Section 29.8 “AHB Multi-port DDR-SDRAM Controller (MPDDRC) User Interface”: changed all instances of “Read-write” to “Read/Write”</p>	rfo
	<p>Table 29-25 “Register Mapping”: corrected the offset values of MPDDRC DLL Status MASTERx registers</p>	8884
	<p>Section 29.8.1 “MPDDRC Mode Register”: updated format of field description tables and replaced some descriptions with tables</p>	8883
	<p>Updated Section 29.8.3 “MPDDRC Configuration Register”</p>	8883
	<p>Section 29.8.4 “MPDDRC Timing Parameter 0 Register”: added a note on SDCK</p>	rfo
	<p>Section 29.8.5 “MPDDRC Timing Parameter 1 Register”: - added a note on SDCK - updated size of field TRFC in bitmap (TRFC now spans bits 4:0) - updated TRFC field description</p>	rfo rfo 9058 rfo
	<p>Section 29.8.6 “MPDDRC Timing Parameter 2 Register”: added a note on SDCK</p>	rfo
	<p>Section 29.8.7 “MPDDRC Low-power Register”: updated format of field description tables and replaced some descriptions with tables</p>	8883
	<p>Section 29.8.10 “MPDDRC Low-power DDR2 Timing Calibration Register”: added a note on SDCK</p>	rfo
	<p>Section 29.8.11 “MPDDRC I/O Calibration Register”: - added a note on SDCK - updated RDIV field description</p>	rfo 8883
	<p>Section 29.8.15 “MPDDRC Memory Device Register”: updated format of field description tables and replaced some descriptions with tables</p>	8883
	<p>Section 29.8.17 “MPDDRC Write Protect Mode Register”: - updated the register name from “MPDDRC Write Protect Control Register” (MPDDRC_WPCR) to “MPDDRC Write Protect Mode Register” (MPDDRC_WPMR) - updated WPEN and WPKEY field descriptions</p>	8883

SAMA5D3 SERIES

Doc. Rev. 11121C	Comments	Change Request Ref.
	<p>Section 31. “Static Memory Controller (SMC)”</p> <p>Editorial and formatting changes throughout</p> <p>Replaced all instances of “HSMC” with “SMC” (except in register names)</p> <p>Replaced instances of “Read-write” with “Read/Write”</p> <p>Section 31.1 “Description”: deleted first paragraph “The External Bus Interface is designed ... a Static Memory Controller (HSMC).”</p> <p>Section 31.2 “Embedded Characteristics”:</p> <ul style="list-style-type: none"> - removed following bullets: -- Programmable Flash Data Width 8 bits or 16 bits -- Supports NAND Flash and SmartMedia™ Devices with 8- or 16-bit Data Path -- Supports NAND Flash with Page Sizes of 528, 1056, 2112 and 4224 Bytes, Specified by Software -- Supports 1-bit Correction for a Page of 512, 1024, 2048 and 4096 Bytes with 8- or 16-bit Data Path -- Supports 1-bit Correction per 512 Bytes of Data for a Page Size of 512, 2048 and 4096 Bytes with 8-bit Data Path -- Supports 1-bit Correction per 256 Bytes of Data for a Page Size of 512, 2048 and 4096 Bytes with 8-bit Data Path -- Programmable Spare Area Size <p>- added bullet “Supports NAND Flash Devices with 8-bit Data Path”</p> <p>Added Section 31.16 “Register Write Protection”</p> <p>Section 31.17.4 “NFC SRAM”: replaced single mapping table with five mapping tables</p> <p>Section 31.17.4.1 “NFC SRAM Mapping”: updated second paragraph</p> <p>Figure 31-40 “NAND Write Operation with Spare Encoding”: reformatted to unhide caption “Write NAND operation with SPAREEN set to one” in upper portion of figure</p> <p>Figure 31-41 “NAND Write Operation”: reformatted to unhide caption “Write NAND operation with SPAREEN set to zero” in upper portion of figure</p> <p>Table 31-19 “Register Mapping”:</p> <ul style="list-style-type: none"> - changed names of following four registers: -- HSMC_OCMS (was “HSMC OCMS Register”; is “HSMC Off Chip Memory Scrambling Register”) -- HSMC_KEY1 (was “HSMC OCMS KEY1 Register”; is “HSMC Off Chip Memory Scrambling Key1 Register”) -- HSMC_KEY2 (was “HSMC OCMS KEY2 Register”; is “HSMC Off Chip Memory Scrambling Key2 Register”) -- “HSMC Write Protection Control Register (HSMC_WPCR)” changed to “HSMC Write Protection Mode Register (HSMC_WPMR)” <ul style="list-style-type: none"> - changed access of HSMC_WPMR (was write-only; is read-write) - updated access for registers HSMC_KEY1 and HSMC_KEY2: (was Write-only; is Write-once) <p>Section 31.20.1 “HSMC NFC Configuration Register”: updated PAGESIZE field description</p> <p>Section 31.20.8 “HSMC NFC Bank Register”: updated BANK bit description</p> <p>Section 31.20.32 “HSMC Setup Register”—added following sentence below bitmap: “This register can only be written if the WPEN bit is cleared in the HSMC Write Protection Control Register”</p> <p>Section 31.20.33 “HSMC Pulse Register”—added following sentence below bitmap: “This register can only be written if the WPEN bit is cleared in the HSMC Write Protection Control Register”</p> <p>Section 31.20.34 “HSMC Cycle Register”—added following sentence below bitmap: “This register can only be written if the WPEN bit is cleared in the HSMC Write Protection Control Register”</p> <p>Section 31.20.35 “HSMC Timings Register”—added following sentence below bitmap: “This register can only be written if the WPEN bit is cleared in the HSMC Write Protection Control Register”</p>	<p>rfo</p> <p>rfo</p> <p>rfo</p> <p>rfo</p> <p>9352</p> <p>9089</p> <p>rfo</p> <p>rfo</p> <p>rfo</p> <p>rfo</p> <p>9089</p> <p>9089</p> <p>rfo</p> <p>8986</p> <p>rfo</p> <p>9089</p> <p>9089</p> <p>9089</p> <p>9089</p> <p>9089</p>

Doc. Rev. 11121C	Comments	Change Request Ref.
	<p>Section 31. “Static Memory Controller (SMC)” (continued)</p> <p>Section 31.20.36 “HSMC Mode Register”: - added following sentence below bitmap: “This register can only be written if the WPEN bit is cleared in the HSMC Write Protection Control Register” - updated READ_MODE and WRITE_MODE field descriptions</p> <p>Changed name of Section 31.20.37 “HSMC Off Chip Memory Scrambling Register” (was “HSMC OCMS Register”)</p> <p>Changed name of Section 31.20.38 “HSMC Off Chip Memory Scrambling Key1 Register” (was “HSMC OCMS KEY1 Register”)</p> <p>Changed name of Section 31.20.39 “HSMC Off Chip Memory Scrambling Key2 Register” (was “HSMC OCMS KEY2 Register”)</p> <p>Section 31.20.40 “HSMC Write Protection Mode Register”: changed section name (was “HSMC Write Protection Control Register”); changed access from write-only to read-write; updated field names (were “WP_EN” and “WP_KEY”; are “WPEN” and “WPKEY”) and updated descriptions of same</p> <p>Section 31.20.41 “HSMC Write Protection Status Register”: updated field names (were “WP_VS” and “WP_VSRC”; are “WPVS” and “WPVSRC”); corrected size of field WPVS (was 4 bits; is 1 bit)</p>	<p>9089</p> <p>rfo</p> <p>rfo</p> <p>rfo</p> <p>rfo</p> <p>rfo</p>
	<p>Section 32. “DMA Controller (DMAC)”</p> <p>Updated introduction text in Section 32.3.1 “DMA Controller 0” and Section 32.3.2 “DMA Controller 1”</p> <p>Section 32.8.1 “DMAC Global Configuration Register”: updated ARB_CFG field description</p> <p>Section 32.8.15 “DMAC Channel x [x = 0..7] Descriptor Address Register”: added DMA Master Interface references to DSCR_IF field description</p> <p>Section 32.8.17 “DMAC Channel x [x = 0..7] Control B Register”: added DMA Master Interface references to DIF and SIF field descriptions</p> <p>Section 32.8.21 “DMAC Write Protect Mode Register”: updated WPKEY field description</p>	<p>8955/rfo</p> <p>8835</p> <p>rfo</p> <p>rfo</p> <p>8834</p>
	<p>Section 33. “AHB LCD Controller (LCDC)”</p> <p>Section 33.2 “Embedded Characteristics”: updated “Display Size” (was “up to 2048x2048”; is “up to 2048x2048, or up to 720p in video format”)</p> <p>In Section 33.6.7.1 “Line Striding” and in Section 33.6.7.2 “Pixel Striding”: inserted formula for pixel address calculation</p> <p>Section 33.7 “LCD Controller (LCDC) User Interface”: changed “name” on Overlay registers in the corresponding register sections (“LCDC_OVR1CHER” --> “LCDC_OVRCHER1”, etc.)</p> <p>Updated Table 33-54 “Register Mapping”: - changed “name” on Overlay registers (“LCDC_OVR1CHER” --> “LCDC_OVRCHER1”, etc.) - added new register LCDC_ATTR</p> <p>Section 33.7.10 “LCD Controller Status Register”: updated SIPSTS bit description</p> <p>Added Section 33.7.15 “LCD Controller Attribute Register”</p> <p>Section 33.7.96 “High End Overlay Layer Configuration 1 Register”: added detail on rotation angle to YUV422ROT bit description</p>	<p>8808</p> <p>9019</p> <p>8812</p> <p>8812</p> <p>9024</p> <p>9008</p> <p>9024</p> <p>9019</p>

SAMA5D3 SERIES

Doc. Rev. 11121C	Comments	Change Request Ref.
	<p>Section 34. “Image Sensor Interface (ISI)” Formatting and editorial changes throughout document (including harmonization of register names)</p> <p>Section 34.2 “Embedded Characteristics”: updated “Preview Path” bullet to specify “Up to 2048*2048 in Grayscale mode” and “Up to 640*480 in RGB mode”</p> <p>Section 34.5.2 “ISI Configuration 2 Register”: updated field descriptions</p> <p>Section 34.5.11 “ISI Status Register”: updated field descriptions</p> <p>Section 34.5.12 “ISI Interrupt Enable Register”: added missing bit configuration values</p> <p>Section 34.5.13 “ISI Interrupt Disable Register”: added missing bit configuration values</p> <p>Section 34.5.16 “DMA Channel Disable Register”: updated field descriptions</p> <p>Section 34.5.17 “DMA Channel Status Register”: updated field descriptions</p> <p>Section 34.5.19 “DMA Preview Control Register”: updated field descriptions</p> <p>Section 34.5.22 “DMA Codec Control Register”: updated field descriptions</p> <p>Section 34.5.24 “ISI Write Protection Control Register”: updated field names in bitmap and updated field descriptions</p>	<p>9078</p> <p>8988</p> <p>8988</p> <p>rfo</p> <p>rfo</p> <p>8988</p> <p>8988</p> <p>8988</p> <p>8988</p> <p>8886</p>
	<p>Section 35. “USB High Speed Device Port (UDPHS)” Improved readability of graphics</p> <p>Minor formatting and editorial changes throughout</p> <p>Figure 35-2 “Board Schematic”: replaced resistor 6K8 with 5K62</p> <p>Section 35.5.1 “Power Management”: corrected names of referenced registers</p> <p>Figure 35-3 “USB Transfer Events”:</p> <ul style="list-style-type: none"> - added column headers - in CONTROL row, replaced two diameter symbols with arrow symbols 	<p>9004</p> <p>rfo</p> <p>rfo</p> <p>rfo</p> <p>rfo</p>
	<p>Section 36. “USB Host High Speed Port (UHPHS)” Minor formatting and editorial changes throughout</p> <p>Figure 36-2 “Board Schematic to Interface UHP High-speed Host Controller”: replaced resistor 6K8 with 5K62</p> <p>Section 36.5.2 “Power Management”: corrected names of referenced registers and bits</p>	<p>rfo</p> <p>rfo</p> <p>rfo</p>
	<p>Section 37. “Gigabit Ethernet MAC (GMAC)” Minor editorial and formatting changes throughout</p> <p>Section 37.6.1.6 “Interrupts”: in first paragraph, deleted content “Depending on the overall system ... CPU enters the interrupt handler” and “Note that in the default ... be write-one-to-clear if desired”</p> <p>Section 37.6.2 “Statistics Registers”: deleted sentence “In order to reduce overall design area, the Statistics Registers may be optionally removed in the configuration file if they are deemed unnecessary for a particular design.”</p> <p>Section 37.7.1 “Network Control Register”: removed bit RDS (“Read Snapshot” function not supported)</p> <p>Section 37.7.35 “Stacked VLAN Register”: added missing description to field ESVLAN</p>	<p>rfo</p> <p>8865</p> <p>rfo</p> <p>rfo</p>
	<p>Section 38. “Ethernet MAC 10/100 (EMAC)”: No changes</p>	

Doc. Rev. 11121C	Comments	Change Request Ref.
	<p>Section 39. “High Speed MultiMedia Card Interface (HSMCI)” Minor formatting and editorial changes throughout</p> <p>Harmonized register access type naming throughout (“Read-write” change to “Read/Write”, “Read” changed to “Read-only”, “Write” changed to “Write-only”)</p> <p>Figure 39-1 “Block Diagram (8-bit configuration)”: added “(8-bit configuration)” to title</p> <p>Figure 39-2 “Block Diagram (4-bit configuration)”: added “(4-bit configuration)” to title; added missing note below figure</p> <p>Section 39.8.1 “Command - Response Operation”: reorganized table content in ALL_SEND_CID command example</p> <p>Figure 39-9 “Read Functional Flow Diagram”: corrected HSMCI_MR to HSMCI_BLKCR when referring to Block Length field that is not available in HSMCI_MR; deleted note “This field is also accessible in the HSMCI Block Register (HSMCI_BLKCR)”</p> <p>Figure 39-10 “Write Functional Flow Diagram”: corrected HSMCI_MR to HSMCI_BLKCR when referring to Block Length field that is not available in HSMCI_MR; deleted note “This field is also accessible in the HSMCI Block Register (HSMCI_BLKCR)”</p> <p>Figure 39-11 “Read Multiple Block and Write Multiple Block”: corrected HSMCI_MR to HSMCI_BLKCR when referring to Block Length field that is not available in HSMCI_MR</p> <p>Section 39.13 “Register Write Protection”: changed title (was “Write Protection Registers”); revised content</p> <p>Section 39.14.7 “HSMCI Block Register”: deleted sentence “This field is also accessible in the HSMCI Mode Register (HSMCI_MR)” from BLKLEN field description</p> <p>Section 39.14.18 “HSMCI Write Protection Mode Register”:</p> <ul style="list-style-type: none"> - modified register name (was HSMCI Write Protect Mode Register) - updated field names in bitmap and updated field descriptions - replaced list of protectable registers with cross-reference to section “Register Write Protection” <p>Section 39.14.19 “HSMCI Write Protection Status Register”: modified register name (was HSMCI Write Protect Status Register) and updated register description</p>	<p>rfo</p> <p>rfo</p> <p>9012</p> <p>9012</p> <p>9012</p> <p>rfo</p> <p>rfo</p> <p>rfo</p> <p>8827/8868</p> <p>rfo</p> <p>rfo</p>
	<p>Section 39. “Serial Peripheral Interface (SPI)” Minor editorial and formatting changes</p> <p>Section 40.7.4 “SPI Slave Mode”: in paragraph beginning with “Then, a new data is loaded...”, replaced “the Shift Register is not modified and the last received character is retransmitted” with “the SPI_TDR is retransmitted”</p> <p>Table 40-5 “Register Mapping”:</p> <ul style="list-style-type: none"> - replaced offset range 0x4C–0xE0 with 0x40–0xE0 - replaced offset range 0x00E8–0x00F8 with 0x00EC–0x00F8 <p>Section 40.8.10 “SPI Write Protection Mode Register”: updated WPKEY field description</p>	<p>8792</p> <p>8840</p> <p>8840</p>

SAMA5D3 SERIES

Doc. Rev. 11121C	Comments	Change Request Ref.
	<p>Section 41. “Two-wire Interface (TWI)” Formatting and minor editorial changes throughout Replaced “N” with “NA” as acronym for “Not Acknowledge” where needed Section 41.6.2 “Power Management”: deleted rogue bullet “Enable the peripheral clock” below section heading Added missing “yes” and “no” in following figures: - Figure 41-18 “TWI Write Operation with Multiple Data Bytes with or without Internal Address” - Figure 41-20 “TWI Read Operation with Single Data Byte and Internal Address” - Figure 41-21 “TWI Read Operation with Multiple Data Bytes with or without Internal Address” Section 41.10 “Slave Mode”: added Section 41.10.6 “Using the DMA Controller” Changed register acronym in Section 41.11 “Write Protection System” and renamed referenced field and flag names Table 41-7 “Register Mapping”: inserted reserved offset range 0x38–0xE0 Section 41.12.6 “TWI Status Register”: updated NACK (used in Master mode) bit description Section 41.12.11 “TWI Transmit Holding Register”: corrected access (was Read-write; is Write-only) Changed register acronym in Section 41.12.12 “TWI Write Protection Mode Register” and updated filed names and field descriptions Changed register acronym in Section 41.12.13 “TWI Write Protection Status Register” and updated filed names and field descriptions</p>	<p>rfo rfo 8944/rfo 9055 8845 8944 9145 9050 8845 8845</p>
	<p>Section 42. “Synchronous Serial Controller (SSC)” Minor editorial and formatting changes throughout Section 42.9.17 “SSC Write Protect Mode Register”: updated WPKEY field description</p>	<p>8841</p>
	<p>Section 43. “Debug Unit (DBGU)”: No changes</p>	
	<p>Section 44. “Universal Asynchronous Receiver Transmitter (UART)” Minor editorial and formatting changes throughout Changed register bit configuration value notations from ‘0 =’ to ‘0:’ and from ‘1 =’ to ‘1:’ Table 44-3 “Register Mapping”: - inserted offset range 0x0040 - 0x00E8 (reserved) - changed access from Read-write to Read/Write where applicable</p>	<p>rfo 8537 rfo</p>

Doc. Rev. 11121C	Comments	Change Request Ref.
	<p>Section 45. “Universal Synchronous Asynchronous Receiver Transceiver (USART)”</p> <p>Minor formatting and editorial changes throughout</p> <p>Corrected Figure 45-22 “Parity Error” for stop bit value</p> <p>Table 45-10 “Maximum Timeguard Length Depending on Baud Rate”: replaced baud rate 33400 bit/s with 38400 bit/s</p> <p>Table 45-11 “Maximum Time-out Period”: replaced baud rate 33400 bit/s with 38400 bit/s</p> <p>Table 45-13 “IrDA Baud Rate Error”: added missing units of measure to column headers (“Bit/s” for Baud Rate and “µs” for Pulse Time)</p> <p>Section 45.7.5.3 “IrDA Demodulator”: replaced instances of “T” with “t” when used to express time</p> <p>Table 45-15 “Register Mapping”:</p> <ul style="list-style-type: none"> - inserted offset range 0x0054–0x005C (reserved) - inserted offset range 0x0060–0x00E0 (reserved) - replaced range 0x5C–0xFC with range 0x00EC–0x00FC (reserved) <p>Section 45.8.22 “USART Write Protect Mode Register”: updated WPKEY field description</p>	<p></p> <p>8943</p> <p>8943</p> <p>8943</p> <p>rfo</p> <p>rfo</p> <p>8943</p> <p></p> <p>8791</p>
	<p>Section 46. “Controller Area Network (CAN)”</p> <p>Minor editorial formatting changes throughout</p> <p>Section 46.6.3 “Interrupt”: replaced “AIC” occurrences with “interrupt controller”</p> <p>Table 46-4 “Receive Mailbox Objects”: added missing title</p> <p>Table 46-5 “Transmit Mailbox Objects”: added missing title</p> <p>Section 46.7.4.1 “CAN Bit Timing Configuration”: moved three bullets describing the phase segments to precede the bullet “TIME QUANTAM”</p> <p>Section 46.8.1 “CAN Controller Initialization”: replaced “AIC” occurrences with “interrupt controller”</p> <p>Figure 46-10 “Possible Initialization Procedure”: replaced instance of “AIC” with “Interrupt Controller”</p> <p>WPMR register reformat using WPKEY table in Section 46.9.12 “CAN Write Protection Mode Register”</p>	<p></p> <p>8594</p> <p>rfo</p> <p>rfo</p> <p>rfo</p> <p>8594</p> <p>8594</p> <p>8867</p>
	<p>Section 47. “Software Modem Device (SMD)”</p> <p>Section 47.1 “Description”: replaced acronym HLSD with LSD</p> <p>Added Section 47.4 “Software Modem Device (SMD) User Interface” (includes Section 47.4.1 “SMD Drive Register”)</p>	<p></p> <p>9014</p> <p>8950</p>

SAMA5D3 SERIES

Doc. Rev. 11121C	Comments	Change Request Ref.
	<p>Section 47. “Timer Counter (TC)” Editorial and formatting changes throughout</p> <p>Section 47.1 “Description”: replaced “and TIOA1 inputs” with “and TIOB1 inputs”</p> <p>Figure 47-5 “Example of Transfer with DMAC” replaced “Internal PDC trigger” with “Peripheral trigger”</p> <p>Section 47.6.15.3 “Direction Status and Change Detection”: rewrote sixth paragraph for clarity</p> <p>Section 47.6.15.4 “Position and Rotation Measurement”: rewrote first paragraph for clarity</p> <p>Section 47.6.15.5 “Speed Measurement”: replaced sentence “The speed can be read on TC_RA0 register in TC_CMRO” with “The speed can be read on field RA in register TC_RA0”</p> <p>Section 47.6.17 “Register Write Protection”: changed title (was “Write Protection System”); revised content</p> <p>Section 47.7.2 “TC Channel Mode Register: Capture Mode”: updated TCCLKS field description (values 0 to 4)</p> <p>Section 47.7.3 “TC Channel Mode Register: Waveform Mode”:</p> <ul style="list-style-type: none"> - updated ENETRNG bit description - updated TCCLKS field description (values 0 to 4) <p>Section 47.7.15 “TC Block Mode Register”:</p> <ul style="list-style-type: none"> - updated FILTER bit description - corrected TC2XC2S field configuration values: value 2 is TIOA0 (was TIOA1); value 3 is TIOA1 (was TIOA2) <p>Section 47.7.20 “TC Write Protection Mode Register”: modified register name (was “TC Write Protect Mode Register”); updated field descriptions</p>	<p></p> <p>8885</p> <p>9325</p> <p>rfo</p> <p>rfo</p> <p>rfo</p> <p>rfo</p> <p>9107</p> <p></p> <p>8885</p> <p>9107</p> <p>rfo</p> <p>9353</p> <p>rfo/8842</p>
	<p>Section 49. “Pulse Width Modulation Controller (PWM)” Editorial and formatting changes throughout; replaced instances of “Read-write” with “Read/Write”</p> <p>Section 49.6.2.2 “Comparator”: corrected PWM waveform period formulas</p> <p>Table 6-1 “Fault Inputs”: in “Polarity Level” column, replaced all instances of “1” with “To be configured to 1”</p> <p>Section 49.6.5.4 “Changing the Synchronous Channels Update Period”: removed cross-reference to section “Method 3: Automatic write of duty-cycle values and automatic trigger of the update” from first paragraph</p> <p>Section 49.6.1 “PWM Clock Generator”: replaced instances of “F” with “f” when used to represent frequency</p> <p>Section 49.6.5.7 “Register Write Protection”: at end of section, replaced sentence “The WPVS and PWM_WPSR fields are automatically reset after reading the PWM_WPSR register” with “The WPVS and WPVSR fields are automatically cleared after reading the PWM_WPSR”</p> <p>Section 49.7.9 “PWM Sync Channels Mode Register”: removed table row for value 3 “reserved” in UPDM field description</p> <p>Section 49.7.30 “PWM Write Protection Control Register”: updated WPKEY and WPCMD field descriptions</p>	<p>rfo</p> <p>9123</p> <p>rfo</p> <p>rfo</p> <p>rfo</p> <p>rfo</p> <p>rfo</p> <p>8849</p>
	<p>Section 50. “Analog-to-Digital Converter (ADC)” Editorial and formatting changes throughout</p> <p>Added title to Figure 50-6 “Hardware Trigger Delay”</p> <p>Section 50.5.8 “Conversion Performances”: updated wording (‘see the product DC Characteristics section’ --> ‘see the product electrical characteristics’)</p> <p>Section 50.8.25 “ADC Write Protect Mode Register”: updated WPKEY field description</p>	<p></p> <p>8997</p> <p>9184</p> <p>8856</p>
	<p>Section 51. “True Random Number Generator (TRNG)” Figure 51-1 “TRNG Block Diagram”: reformatted graphics to improve readability</p> <p>Section 51.4.1 “Power Management”: minor editorial changes</p> <p>Section 51.5 “Functional Description”: minor editorial changes</p> <p>Section 51.6.1 “TRNG Control Register”: updated KEY field description</p>	<p></p> <p>9001</p> <p>rfo</p> <p>rfo</p> <p>8843</p>

Doc. Rev. 11121C	Comments	Change Request Ref.
	<p>Section 52. “Advanced Encryption Standard (AES)” Editorial and minor formatting changes throughout</p> <p>Section 52.2 “Embedded Characteristics”: added bullet “Double Input Buffer Optimizes Runtime”</p> <p>Added Section 52.4.2 “Double Input Buffer”</p> <p>Table 52-4 “Last Output Data Mode Behavior versus Start Modes” - reorganized order of rows - replaced “Not available” with “At the address specified in the Channel Buffer Transfer Descriptor” in row Encrypted/Decrypted Data Result Location at DMA Transfer LOD = 0</p> <p>Section 52.6.2 “AES Mode Register”: - updated CKEY field description - updated LOD field description - added field DUALBUFF</p> <p>Section 52.6.10 “AES Initialization Vector Register x”: updated IV field description</p>	<p></p> <p>9076</p> <p>9076</p> <p>9103</p> <p></p> <p></p> <p>8859</p> <p>9103</p> <p>9076</p> <p>8892</p>
	<p>Section 53. “Triple Data Encryption Standard (Triple DES)”: No changes</p>	
	<p>Section 54. “Secure Hash Algorithm (SHA)”: No changes</p>	

Doc. Rev. 11121B	Comments	Change Request Ref.
	<p>Introduction:</p> <p>Section 8.1 “Chip Identification”, updated Chip ID: “0x8A5C07C1” --> “0x8A5C07C2”.</p> <p>“Description”, added a cross-reference to Table 1-1 “SAMA5D3 Device Differences” in the last paragraph.</p> <p>Replaced “Cortex™” references with “Cortex®” in “Description” and further on in the entire document.</p> <p>Removed “AT91SAM” from the document title.</p>	<p>rfo</p> <p>rfo</p> <p>rfo</p>
	<p>Standard Boot Strategies:</p> <p>Section 11.4.4.1 NAND Flash Boot: NAND Flash Detection, added the eccBitReq field description in “NAND Flash Specific Header Detection”.</p>	8796
	<p>SFR:</p> <p>Added a row for SFR_UTMICKTRIM register (offset value “0x30”) in Table 16-1 “Register Mapping” and the corresponding Table 16.3.5 “UTMI Clock Trimming Register”.</p>	8683
	<p>External Memories:</p> <p>Section 28.1.4 Product Dependencies, updated LPDDR2 Mode data in Table 28-2 “DDR2 I/O Lines Usage vs Operating Modes” (DDR_WE, DDR_RAS - DDR_CAS, and DDR_A[13..0]).</p> <p>Section 28.1.5.2 2x16-bit LPDDR2, added references on CAx LP-DDR2 signals and Table 28-3 “CAx LPDDR2 Signal Connection”.</p>	rfo
	<p>USART:</p> <p>Added a paragraph on IRDA_FILTER programming criteria in Section 45.7.5.3 “IrDA Demodulator” and in the corresponding field description in Section 45.8.20 “USART IrDA FILTER Register”.</p> <p>Section 45.8.18 “USART FI DI RATIO Register”, expanded FI_DI_RATIO field to 16 bits in the register table.</p>	<p>8508</p> <p>8643</p>
	<p>FUSE:</p> <p>Section 50.2 “Embedded Characteristics”, added references on FUSE bits.</p> <p>Added Section 50.2.1 “FUSE Bit Mapping” and Section 50.2.2 “Special Functions”.</p>	8785
	<p>Electrical Characteristics:</p> <p>Section 54.6 “12 MHz RC Oscillator Characteristics”, updated the I_{DDON} value in Table 54-12.</p> <p>Section 54.7 “32 kHz Oscillator Characteristics”, added a row on P_{ON} in Table 54-13.</p> <p>Section 54.11 “12-Bit ADC Characteristics”, updated data in:</p> <ul style="list-style-type: none"> - Table 54-22 “Analog Power Supply Characteristics” - Table 54-23 “Channel Conversion Time and ADC Clock” - Table 54-24 “External Voltage Reference Input” - Table 54-25 “INL, DNL, 12-bit mode, VDDANA 2.4V to 3.6V supply voltage conditions” - Table 54-26 “Gain Error, 12-bit Mode, VDDANA 2.4V to 3.6V supply voltage conditions” - Table 54-27 “Error offset with or without calibration, 12-bit Mode, VDDANA 2.4V to 3.6V supply voltage conditions” - Table 54-28 “Dynamic Performance Characteristics in Single ended and 12 bits mode (1)”; and - Table 54-29 “Dynamic Performance Characteristics in Differential and 12 bits mode(1)” <p>Added Section 54.15 “MPDDRC Timings”</p> <p>Section 54.16 “SSC Timings”, updated PIXCLK frequency maximum value and fixed transmitter parameter data for SSC₇ in Table 54-47 “SSC Timings with 3.3V Peripheral supply” and Table 54-48 “SSC Timing with 1V8 Peripheral supply”</p>	<p>rfo</p> <p>rfo</p> <p>rfo</p>

SAMA5D3 SERIES

Doc. Rev. 11121B	Comments	Change Request Ref.
	Mechanical Characteristics: Added "Nominal Ball Diameter" and "Solder" rows in Table 55-4 "Package Information" .	rfo
	Errata: Added the introduction paragraph in Section 59. Errata . Added Section 59.1.3 Boot ROM: NAND Flash detection using ONFI parameters does not work .	rfo 8785

Doc. Rev. 11121A	Comments	Change Request Ref.
	First Issue	

SAMA5D3 SERIES

The Microchip Web Site

Microchip provides online support via our web site at www.microchip.com. This web site is used as a means to make files and information easily available to customers. Accessible by using your favorite Internet browser, the web site contains the following information:

- **Product Support** – Data sheets and errata, application notes and sample programs, design resources, user's guides and hardware support documents, latest software releases and archived software
- **General Technical Support** – Frequently Asked Questions (FAQ), technical support requests, online discussion groups, Microchip consultant program member listing
- **Business of Microchip** – Product selector and ordering guides, latest Microchip press releases, listing of seminars and events, listings of Microchip sales offices, distributors and factory representatives

Customer Change Notification Service

Microchip's product change notification service helps keep customers current on Microchip products. Subscribers will receive e-mail notification whenever there are changes, updates, revisions or errata related to a specified product family or development tool of interest.

To register, go to <http://www.microchip.com/pcn> and follow the registration instructions.

Customer Support

Users of Microchip products can receive assistance through several channels:

- Distributor or Representative
- Local Sales Office
- Field Application Engineer (FAE)
- Technical Support

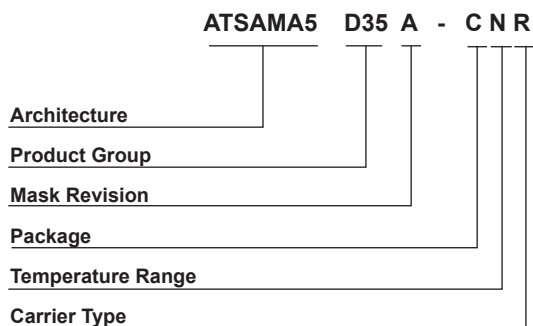
Customers should contact their distributor, representative or ESE for support. Local sales offices are also available to help customers. A listing of sales offices and locations is included in the back of this document.

Technical support is available through the web site at: <http://microchip.com/support>

SAMA5D3 SERIES

Product Identification System

To order or obtain information, e.g., on pricing or delivery, refer to the factory or the listed sales office.



Architecture:	ATSAMA5 = ARM Cortex-A5 CPU
Product Group:	D3x = 324-ball general-purpose microprocessor family
Mask Revision:	A
Package:	C, CF = BGA
Temperature Range:	U = -40°C to +85°C (Industrial) N = -40°C to +105°C (Industrial)
Carrier Type:	Blank = Standard Packaging (tube or tray) R = Tape and Reel ⁽¹⁾

Example:

- a) ATSAMA5D35A-CNR = ARM Cortex-A5 general-purpose microprocessor, 324-ball, Industrial (-40°C to +105°C) temperature, BGA Package.

- Note 1:** Tape and Reel identifier only appears in the catalog part number description. This identifier is used for ordering purposes and is not printed on the device package. Check with your Microchip Sales Office for package availability with the Tape and Reel option.
- 2:** Small form-factor packaging options may be available. Please check www.microchip.com/packaging for small-form factor package availability, or contact your local Sales Office.

SAMA5D3 SERIES

Microchip Devices Code Protection Feature

Note the following details of the code protection feature on Microchip devices:

- Microchip products meet the specification contained in their particular Microchip Data Sheet.
- Microchip believes that its family of products is one of the most secure families of its kind on the market today, when used in the intended manner and under normal conditions.
- There are dishonest and possibly illegal methods used to breach the code protection feature. All of these methods, to our knowledge, require using the Microchip products in a manner outside the operating specifications contained in Microchip's Data Sheets. Most likely, the person doing so is engaged in theft of intellectual property.
- Microchip is willing to work with the customer who is concerned about the integrity of their code.
- Neither Microchip nor any other semiconductor manufacturer can guarantee the security of their code. Code protection does not mean that we are guaranteeing the product as "unbreakable."

Code protection is constantly evolving. We at Microchip are committed to continuously improving the code protection features of our products. Attempts to break Microchip's code protection feature may be a violation of the Digital Millennium Copyright Act. If such acts allow unauthorized access to your software or other copyrighted work, you may have a right to sue for relief under that Act.

Legal Notice

Information contained in this publication regarding device applications and the like is provided only for your convenience and may be superseded by updates. It is your responsibility to ensure that your application meets with your specifications. MICROCHIP MAKES NO REPRESENTATIONS OR WARRANTIES OF ANY KIND WHETHER EXPRESS OR IMPLIED, WRITTEN OR ORAL, STATUTORY OR OTHERWISE, RELATED TO THE INFORMATION, INCLUDING BUT NOT LIMITED TO ITS CONDITION, QUALITY, PERFORMANCE, MERCHANTABILITY OR FITNESS FOR PURPOSE. Microchip disclaims all liability arising from this information and its use. Use of Microchip devices in life support and/or safety applications is entirely at the buyer's risk, and the buyer agrees to defend, indemnify and hold harmless Microchip from any and all damages, claims, suits, or expenses resulting from such use. No licenses are conveyed, implicitly or otherwise, under any Microchip intellectual property rights unless otherwise stated.

Trademarks

The Microchip name and logo, the Microchip logo, Adaptec, AnyRate, AVR, AVR logo, AVR Freaks, BesTime, BitCloud, chipKIT, chipKIT logo, CryptoMemory, CryptoRF, dsPIC, FlashFlex, flexPWR, HELDO, IGLOO, JukeBlox, KeeLoq, Kleer, LANCheck, LinkMD, maXStylus, maXTouch, MediaLB, megaAVR, Microsemi, Microsemi logo, MOST, MOST logo, MPLAB, OptoLyzer, PackeTime, PIC, picoPower, PICSTART, PIC32 logo, PolarFire, Prochip Designer, QTouch, SAM-BA, SenGenuity, SpyNIC, SST, SST Logo, SuperFlash, Symmetricom, SyncServer, Tachyon, TempTrackr, TimeSource, tinyAVR, UNI/O, Vectron, and XMEGA are registered trademarks of Microchip Technology Incorporated in the U.S.A. and other countries.

APT, ClockWorks, The Embedded Control Solutions Company, EtherSynch, FlashTec, Hyper Speed Control, HyperLight Load, IntelIMOS, Libero, motorBench, mTouch, Powermite 3, Precision Edge, ProASIC, ProASIC Plus, ProASIC Plus logo, Quiet-Wire, SmartFusion, SyncWorld, Temux, TimeCesium, TimeHub, TimePictra, TimeProvider, Vite, WinPath, and ZL are registered trademarks of Microchip Technology Incorporated in the U.S.A.

Adjacent Key Suppression, AKS, Analog-for-the-Digital Age, Any Capacitor, AnyIn, AnyOut, BlueSky, BodyCom, CodeGuard, CryptoAuthentication, CryptoAutomotive, CryptoCompanion, CryptoController, dsPICDEM, dsPICDEM.net, Dynamic Average Matching, DAM, ECAN, EtherGREEN, In-Circuit Serial Programming, ICSP, INICnet, Inter-Chip Connectivity, JitterBlocker, KleerNet, KleerNet logo, memBrain, Mindi, MiWi, MPASM, MPF, MPLAB Certified logo, MPLIB, MPLINK, MultiTRAK, NetDetach, Omniscient Code Generation, PICDEM, PICDEM.net, PICKit, PICtail, PowerSmart, PureSilicon, QMatrix, REAL ICE, Ripple Blocker, SAM-ICE, Serial Quad I/O, SMART-I.S., SQI, SuperSwitcher, SuperSwitcher II, Total Endurance, TSHARC, USBCheck, VariSense, ViewSpan, WiperLock, Wireless DNA, and ZENA are trademarks of Microchip Technology Incorporated in the U.S.A. and other countries.

SQTP is a service mark of Microchip Technology Incorporated in the U.S.A.

The Adaptec logo, Frequency on Demand, Silicon Storage Technology, and Symmcom are registered trademarks of Microchip Technology Inc. in other countries.

GestIC is a registered trademark of Microchip Technology Germany II GmbH & Co. KG, a subsidiary of Microchip Technology Inc., in other countries.

All other trademarks mentioned herein are property of their respective companies.

© 2020, Microchip Technology Incorporated, Printed in the U.S.A., All Rights Reserved.

ISBN: 978-1-5224-5564-6

AMBA, Arm, Arm7, Arm7TDMI, Arm9, Arm11, Artisan, big.LITTLE, Cordio, CoreLink, CoreSight, Cortex, DesignStart, DynamIQ, Jazelle, Keil, Mali, Mbed, Mbed Enabled, NEON, POP, RealView, SecurCore, Socrates, Thumb, TrustZone, ULINK, ULINK2, ULINK-ME, ULINK-PLUS, ULINKpro, μ Vision, Versatile are trademarks or registered trademarks of Arm Limited (or its subsidiaries) in the US and/or elsewhere.

Quality Management System

For information regarding Microchip's Quality Management Systems, please visit <http://www.microchip.com/quality>.



Worldwide Sales and Service

AMERICAS

Corporate Office
2355 West Chandler Blvd.
Chandler, AZ 85224-6199
Tel: 480-792-7200
Fax: 480-792-7277
Technical Support:
[http://www.microchip.com/
support](http://www.microchip.com/support)
Web Address:
www.microchip.com

Atlanta
Duluth, GA
Tel: 678-957-9614
Fax: 678-957-1455

Austin, TX
Tel: 512-257-3370

Boston
Westborough, MA
Tel: 774-760-0087
Fax: 774-760-0088

Chicago
Itasca, IL
Tel: 630-285-0071
Fax: 630-285-0075

Dallas
Addison, TX
Tel: 972-818-7423
Fax: 972-818-2924

Detroit
Novi, MI
Tel: 248-848-4000

Houston, TX
Tel: 281-894-5983

Indianapolis
Noblesville, IN
Tel: 317-773-8323
Fax: 317-773-5453
Tel: 317-536-2380

Los Angeles
Mission Viejo, CA
Tel: 949-462-9523
Fax: 949-462-9608
Tel: 951-273-7800

Raleigh, NC
Tel: 919-844-7510

New York, NY
Tel: 631-435-6000

San Jose, CA
Tel: 408-735-9110
Tel: 408-436-4270

Canada - Toronto
Tel: 905-695-1980
Fax: 905-695-2078

ASIA/PACIFIC

Australia - Sydney
Tel: 61-2-9868-6733

China - Beijing
Tel: 86-10-8569-7000

China - Chengdu
Tel: 86-28-8665-5511

China - Chongqing
Tel: 86-23-8980-9588

China - Dongguan
Tel: 86-769-8702-9880

China - Guangzhou
Tel: 86-20-8755-8029

China - Hangzhou
Tel: 86-571-8792-8115

China - Hong Kong SAR
Tel: 852-2943-5100

China - Nanjing
Tel: 86-25-8473-2460

China - Qingdao
Tel: 86-532-8502-7355

China - Shanghai
Tel: 86-21-3326-8000

China - Shenyang
Tel: 86-24-2334-2829

China - Shenzhen
Tel: 86-755-8864-2200

China - Suzhou
Tel: 86-186-6233-1526

China - Wuhan
Tel: 86-27-5980-5300

China - Xian
Tel: 86-29-8833-7252

China - Xiamen
Tel: 86-592-2388138

China - Zhuhai
Tel: 86-756-3210040

ASIA/PACIFIC

India - Bangalore
Tel: 91-80-3090-4444

India - New Delhi
Tel: 91-11-4160-8631

India - Pune
Tel: 91-20-4121-0141

Japan - Osaka
Tel: 81-6-6152-7160

Japan - Tokyo
Tel: 81-3-6880-3770

Korea - Daegu
Tel: 82-53-744-4301

Korea - Seoul
Tel: 82-2-554-7200

Malaysia - Kuala Lumpur
Tel: 60-3-7651-7906

Malaysia - Penang
Tel: 60-4-227-8870

Philippines - Manila
Tel: 63-2-634-9065

Singapore
Tel: 65-6334-8870

Taiwan - Hsin Chu
Tel: 886-3-577-8366

Taiwan - Kaohsiung
Tel: 886-7-213-7830

Taiwan - Taipei
Tel: 886-2-2508-8600

Thailand - Bangkok
Tel: 66-2-694-1351

Vietnam - Ho Chi Minh
Tel: 84-28-5448-2100

EUROPE

Austria - Wels
Tel: 43-7242-2244-39
Fax: 43-7242-2244-393

Denmark - Copenhagen
Tel: 45-4450-2828
Fax: 45-4485-2829

Finland - Espoo
Tel: 358-9-4520-820

France - Paris
Tel: 33-1-69-53-63-20
Fax: 33-1-69-30-90-79

Germany - Garching
Tel: 49-8931-9700

Germany - Haan
Tel: 49-2129-3766400

Germany - Heilbronn
Tel: 49-7131-67-3636

Germany - Karlsruhe
Tel: 49-721-625370

Germany - Munich
Tel: 49-89-627-144-0
Fax: 49-89-627-144-44

Germany - Rosenheim
Tel: 49-8031-354-560

Israel - Ra'anana
Tel: 972-9-744-7705

Italy - Milan
Tel: 39-0331-742611
Fax: 39-0331-466781

Italy - Padova
Tel: 39-049-7625286

Netherlands - Drunen
Tel: 31-416-690399
Fax: 31-416-690340

Norway - Trondheim
Tel: 47-7288-4388

Poland - Warsaw
Tel: 48-22-3325737

Romania - Bucharest
Tel: 40-21-407-87-50

Spain - Madrid
Tel: 34-91-708-08-90
Fax: 34-91-708-08-91

Sweden - Gothenberg
Tel: 46-31-704-60-40

Sweden - Stockholm
Tel: 46-8-5090-4654

UK - Wokingham
Tel: 44-118-921-5800
Fax: 44-118-921-5820