

# LQW18ASR10J00#

“#” indicates a package specification code.

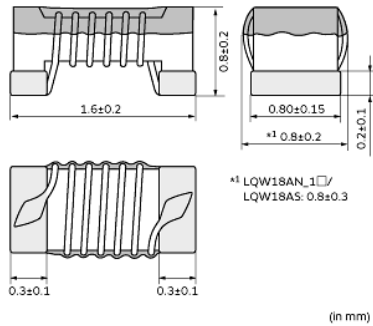
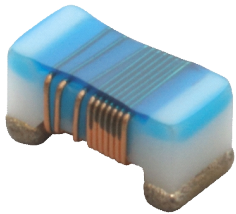
Designed under Industrial Global Standard



< List of part numbers with package codes >

LQW18ASR10J00B LQW18ASR10J00J LQW18ASR10J00D

## Appearance & Shape



## References

| Packaging | Specifications   | Minimum Order Quantity |
|-----------|------------------|------------------------|
| B         | Bulk(Bag)        | 500                    |
| J         | 330mm Paper Tape | 10000                  |
| D         | 180mm Paper Tape | 4000                   |

| Mass (typ.) |        |
|-------------|--------|
| 1 piece     | 0.003g |

### Attention

1.This datasheet is downloaded from the website of Murata Manufacturing Co., Ltd. Therefore, it's specifications are subject to change or our products in it may be discontinued without advance notice. Please check with our sales representatives or product engineers before ordering.

2.This datasheet has only typical specifications because there is no space for detailed specifications.

Therefore, please review our product specifications or consult the approval sheet for product specifications before ordering.

# LQW18ASR10J00#

“#” indicates a package specification code.

## Specifications

|   |                |
|---|----------------|
| L size  | 1.6±0.2mm      |
| W size  | 0.8±0.3mm      |
| T size  | 0.8±0.2mm      |
| Size code inch (mm)   | 0603 (1608)    |
| Inductance  | 100nH±5%       |
| Inductance Test Frequency                                       | 150MHz         |
| Rated current (Itemp) (Based on Temperature rise)               | 400mA          |
| Max. of DC resistance   | 0.58Ω          |
| Operating Temperature Range (Self-temperature rise is included) | -40°C to 125°C |
| Q(min.)   | 34             |
| Q Test Frequency  | 150MHz         |
| Self resonance frequency (min.)                                 | 1400MHz        |
| Series  | LQW18AS_00     |

### Attention

1.This datasheet is downloaded from the website of Murata Manufacturing Co., Ltd. Therefore, it's specifications are subject to change or our products in it may be discontinued without advance notice. Please check with our sales representatives or product engineers before ordering.

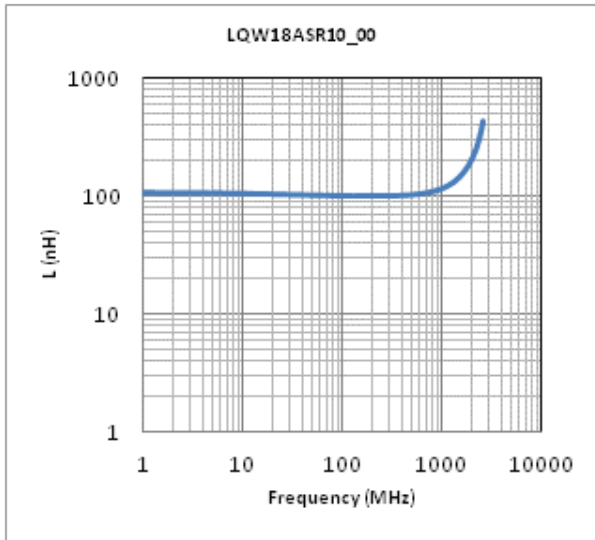
2.This datasheet has only typical specifications because there is no space for detailed specifications.

Therefore, please review our product specifications or consult the approval sheet for product specifications before ordering.

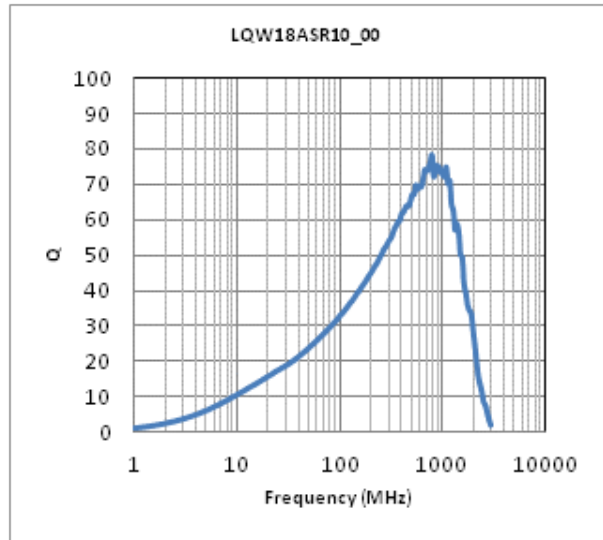
# LQW18ASR10J00#

“#” indicates a package specification code.

## Product Data



Inductance - Frequency Characteristics



Q-Frequency Characteristics

**Attention**

- 1.This datasheet is downloaded from the website of Murata Manufacturing Co., Ltd. Therefore, it's specifications are subject to change or our products in it may be discontinued without advance notice. Please check with our sales representatives or product engineers before ordering.
  - 2.This datasheet has only typical specifications because there is no space for detailed specifications.
- Therefore, please review our product specifications or consult the approval sheet for product specifications before ordering.