

Cleaning:

- > Clean this light fitting only with a soft dry cloth
- > The diffuser may be removed and washed in a mild detergent solution. Make sure the diffuser is completely dry before putting back on your light fitting.
- > Do not use any chemical or abrasive cleaners.

Lamp replacement:

- > Switch off the electricity at the mains.
- > Lift off the diffuser.
- > Rotate the lamp through approximately 90° and withdraw from the tube holders.
- > Insert new lamp and rotate to lock in position.
- > Restore power supply and turn on.

Replacement lamp type:

Wattage: 8 W, 13 W, 21 W, 28 W
Supply Voltage: 240 V
Size: T5

Eventually, you may want to replace this light fitting:

When your light fitting comes to the end of its life or you choose to update or upgrade it by replacing it, please do not dispose of it with your normal household waste, please recycle where facilities exist. When you need to dispose of this fitting, check with your retailer or local authority for suitable options. New regulations will encourage the recycling of Waste from Electrical and Electronic Equipment (European "WEEE Directive" effective August 2005).



If you experience problems:

If your light is defective or develops a fault, please return it to the place where you bought it. You can call our Helpline for advice. The Helpline will gladly give advice on any aspect of any Eterna Lighting product but may not be able to give specific instructions regarding individual installations.

If in doubt, consult a qualified electrician.

Help line:

Tel: 01933 673 144 Fax: 01933 678 083 Email: sales@eterna-lighting.co.uk
For answers to frequently asked questions (FAQs) and other information visit our web-site
www.eterna-lighting.co.uk



IMPORTANT!

Safety and Installation instructions

T5 electronic fluorescent fitting Link&Light®

Model(s)
T58LS2W, T513LS2W, T521LS2W, T528LS2W

Pack contents:

Electronic fluorescent fitting	1
Fixing pack	1
21W and 28W versions:	
"C" mounting clip	2
"F" mounting clip	2

**PLEASE READ THESE INSTRUCTIONS BEFORE
INSTALLING YOUR NEW FITTING**

PLEASE RETAIN FOR FUTURE REFERENCE

Read this first:

- > **This light fitting must be installed in accordance with the Building Regulations.** These may be obtained from HMSO or viewed and downloaded from www.odpm.gov.uk following the link for Building Regulations.
- > **If in any doubt, consult a qualified electrician.**
- > Switch off the mains before commencing installation and remove the appropriate circuit fuse.
- > Disconnect the fitting from the electrical supply before flash or high voltage testing.
- > Do not connect to a circuit which also has inductive loads connected as spikes generated switching inductive loads may damage electronic components within your fitting.
- > Suitable for indoor use only.
- > This product is suitable for installation on surfaces with normal flammability (indicated by the "F" in a triangle) e.g. wood, plasterboard, masonry. It is not suitable for use on highly flammable surfaces (e.g. polystyrene, textiles).
- > Before making fixing hole(s), check that there are no obstructions hidden beneath the mounting surface such as pipes or cables.
- > Do not attach to surfaces which are damp, freshly painted or otherwise electrically conductive (e.g. metallic surfaces).
- > If the location of your new fitting requires the provision of a new electrical supply, the supply must conform with the requirements of the Building Regulations.
- > This product is designed for permanent connection to fixed wiring: this should be either a suitable lighting circuit (protected with a 5 or 6 Amp MCB or fuse) or a fused spur (with a 3 Amp fuse) via a fused connection unit. We

recommend that the supply incorporates a switch for ease of operation.

- > Make connections to the electrical supply in accordance with the following code:
 - Live - Brown or Red
 - Neutral - Blue or Black
- > This fitting is double insulated, do not connect any part to earth.
- > You are advised at every stage of your installation to double-check any electrical connections you have made. After you have completed your installation there are electrical tests that should be carried out: these tests are specified in the Wiring Regulations (BS7671) referred to in the Building Regulations. If in doubt, consult a qualified electrician.

Installation:

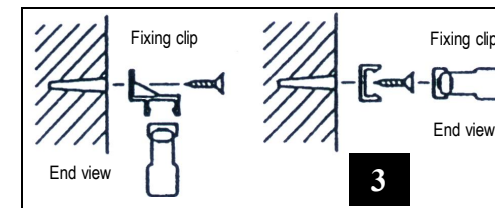
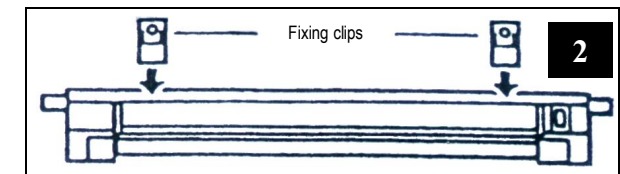
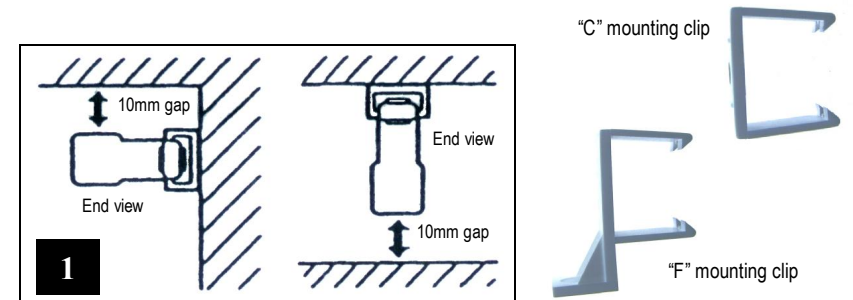
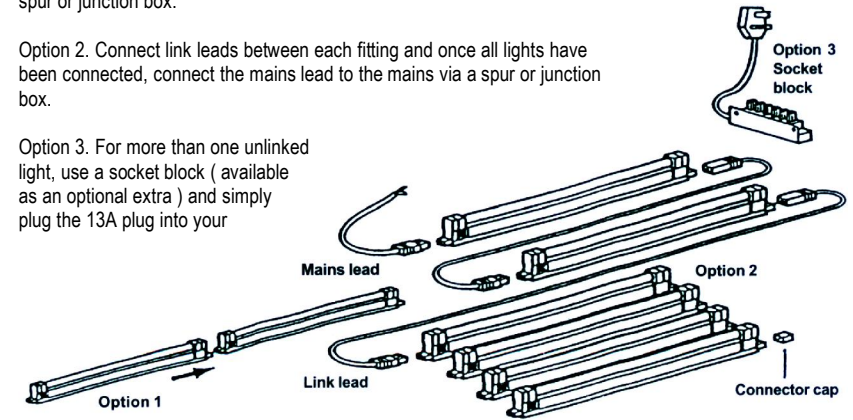
- 1) When positioning the fitting, make sure there is a gap of at least 10mm between the lamp and any adjacent surface. See figure 1, opposite.
- 2) Select the type of brackets you need to use and mark off the fixing points. If fixing to a shelf or under a cupboard, check the screw size required and screw into place. See figures 2 and 3, opposite.
- 3) If fixing directly to the wall, drill holes using a N° 5 / 8mm drill bit to a depth of 30mm and insert wall plugs.
- 4) Secure the selected brackets in place using the screws supplied.
- 5) Attach the fitting to the clips.
- 6) Connect the mains lead or link lead to the socket on your fitting.
- 7) Restore the power supply and switch on.

How to link multiple fittings together.

Option 1. The light fittings can be butted together to form a line of up to a maximum of 6 fittings. Simply remove the connector caps and push the fittings together. Use the mains lead cable to connect the first fitting and the mains via a spur or junction box.

Option 2. Connect link leads between each fitting and once all lights have been connected, connect the mains lead to the mains via a spur or junction box.

Option 3. For more than one unlinked light, use a socket block (available as an optional extra) and simply plug the 13A plug into your



Warning:

The leads supplied with your light fitting and the sockets incorporated in your fitting are designed to give protection against any possible electrical hazard. The mains lead is terminated in a socket marked NLS and this lead should be used to supply mains to your fitting or chain of fittings. Under no circumstances should you attempt to adapt the link lead to supply power to the opposite end of your fitting as this will leave live pins exposed at the mains input end of the fitting. Altering or adapting any of the leads, other than shortening the mains supply lead, will invalidate your guarantee and could present a severe electrical shock hazard.

Safety markings:

