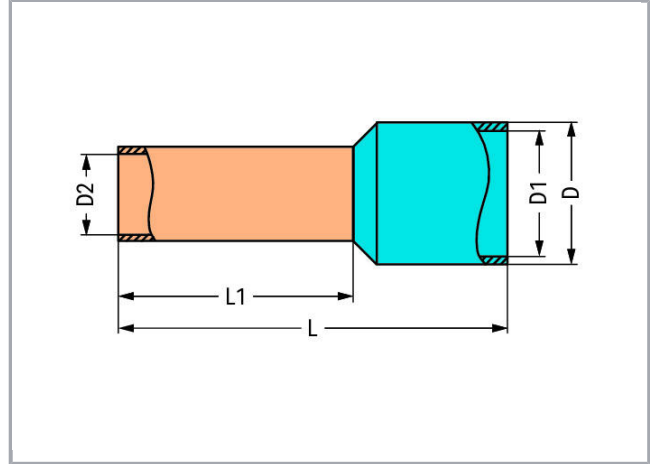


Data sheet | Item number: 216-243

Ferrule; Sleeve for 1 mm² / AWG 18; insulated; electro-tin plated; electrolytic copper; gastight crimped; acc. to DIN 46228, Part 4/09.90; red



www.wago.com/216-243



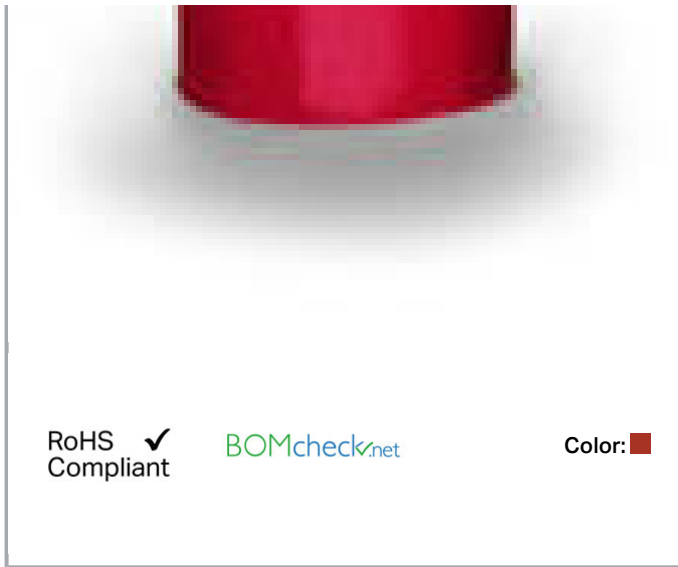
Subject to changes. Please also observe the further product documentation!

WAGO Kontakttechnik GmbH & Co. KG
Hansastr. 27
32423 Minden
Phone: +49571 887-0 | Fax: +49571 887-169
Email: info.de@wago.com | Web: www.wago.com

Do you have any questions about our products?
We are always happy to take your call at +49 (571) 887-44222.



Subject to changes. Please also observe the further product documentation!



Data

Technical Data

| | |
|----------------------------|-------------------|
| Main product function | Ferrule |
| Sleeve cross-section (AWG) | 18 AWG |
| Sleeve for | 1 mm ² |

Connection data

| | |
|--------------|-------------------|
| Strip length | 12 mm / 0.47 inch |
|--------------|-------------------|

Geometrical Data

| | |
|------------|--------|
| Length | 16 mm |
| Length | 16 mm |
| Length 1 | 10 mm |
| Diameter | 3.5 mm |
| Diameter | 3.5 mm |
| Diameter 1 | 3 mm |
| Diameter 2 | 1.4 mm |

Material Data

| | |
|--------|-------|
| Color | red |
| Weight | 0.1 g |

Subject to changes. Please also observe the further product documentation!

Commercial data

| | |
|-----------------------|--------------------------------|
| Product Group | 2 (Terminal Block Accessories) |
| Packaging type | BOX |
| Country of origin | DE |
| GTIN | 4044918016339 |
| Customs tariff number | 85369010000 |

Counterpart

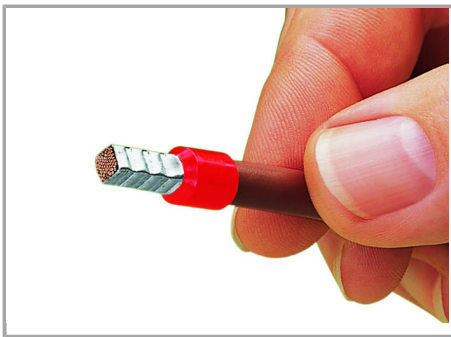
Downloads

Documentation

Bid Text

| | | | |
|-----------------------------|--------------|----------------|----------|
| 216-243 doc - Datei | Sep 11, 2017 | doc 24.1 kB | Download |
| 216-243 GAEB X81 - Datei | Feb 19, 2019 | xml 2.9 kB | Download |

Handling Instructions



A perfect gas-tight crimp – both electrically and mechanically reliable

Subject to changes. Please also observe the further product documentation!

WAGO Kontakttechnik GmbH & Co. KG
Hansastr. 27
32423 Minden
Phone: +49571 887-0 | Fax: +49571 887-169
Email: info.de@wago.com | Web: www.wago.com

Do you have any questions about our products?
We are always happy to take your call at +49 (571) 887-44222.