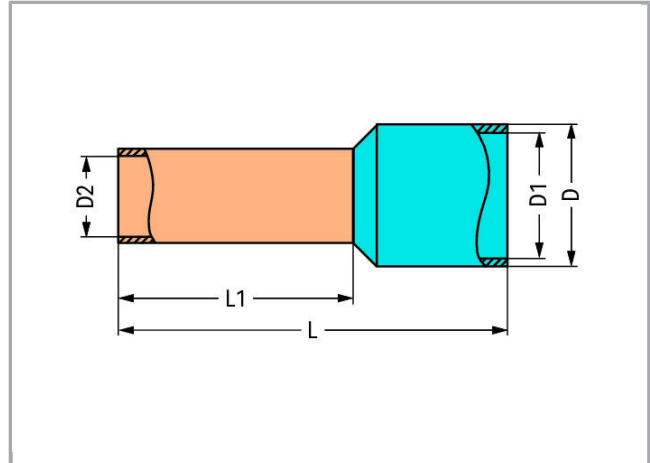


**Data sheet | Item number: 216-322**

Ferrule; Sleeve for 0.34 mm<sup>2</sup> / 22 AWG; insulated; electro-tin plated; green

[www.wago.com/216-322](http://www.wago.com/216-322)



Subject to changes. Please also observe the further product documentation!

WAGO Kontakttechnik GmbH & Co. KG  
Hansastr. 27  
32423 Minden  
Phone: +49571 887-0 | Fax: +49571 887-169  
Email: [info.de@wago.com](mailto:info.de@wago.com) | Web: [www.wago.com](http://www.wago.com)

Do you have any questions about our products?  
We are always happy to take your call at +49 (571) 887-44222.



Subject to changes. Please also observe the further product documentation!

RoHS   
Compliant

BOMcheck.net

Color: **Data****Technical Data**

|                            |                      |
|----------------------------|----------------------|
| Main product function      | Ferrule              |
| Sleeve cross-section (AWG) | 22 AWG               |
| Sleeve for                 | 0.34 mm <sup>2</sup> |

**Connection data**

|              |                  |
|--------------|------------------|
| Strip length | 7 mm / 0.28 inch |
|--------------|------------------|

**Geometrical Data**

|            |        |
|------------|--------|
| Length     | 10 mm  |
| Length     | 10 mm  |
| Length 1   | 6 mm   |
| Diameter   | 2.5 mm |
| Diameter   | 2.5 mm |
| Diameter 1 | 2 mm   |
| Diameter 2 | 0.5 mm |

**Material Data**

|           |          |
|-----------|----------|
| Color     | green    |
| Fire load | 0.001 MJ |
| Weight    | 0.1 g    |

**Commercial data**

|                       |                                |
|-----------------------|--------------------------------|
| Product Group         | 2 (Terminal Block Accessories) |
| Packaging type        | BOX                            |
| Country of origin     | DE                             |
| GTIN                  | 4017332277402                  |
| Customs tariff number | 85369010000                    |

Subject to changes. Please also observe the further product documentation!

WAGO Kontakttechnik GmbH & Co. KG  
 Hansastr. 27  
 32423 Minden  
 Phone: +49571 887-0 | Fax: +49571 887-169  
 Email: [info.de@wago.com](mailto:info.de@wago.com) | Web: [www.wago.com](http://www.wago.com)

Do you have any questions about our products?  
 We are always happy to take your call at +49 (571) 887-44222.

## Counterpart

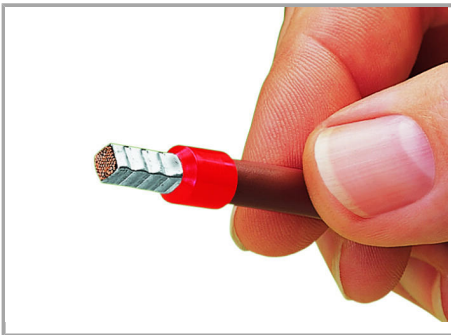
## Downloads

### Documentation

#### Bid Text

|                             |              |                |          |
|-----------------------------|--------------|----------------|----------|
| 216-322<br>doc - Datei      | Sep 11, 2017 | doc<br>24.1 kB | Download |
| 216-322<br>GAEB X81 - Datei | Feb 19, 2019 | xml<br>2.9 kB  | Download |

## Handling Instructions



A perfect gas-tight crimp – both electrically and mechanically reliable

Subject to changes. Please also observe the further product documentation!