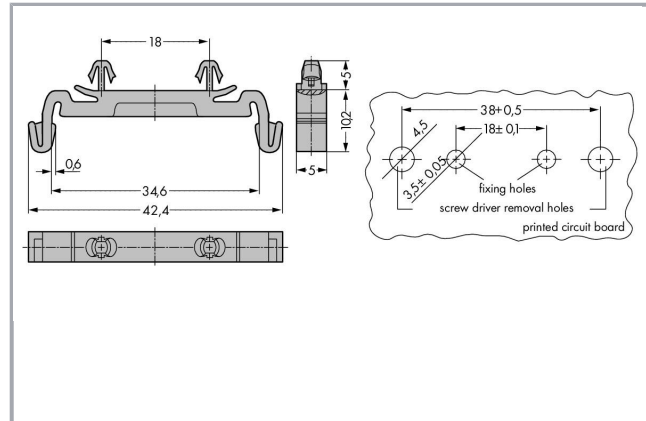


Data sheet | Item number: 209-188

Mounting foot; can be assembled on terminal blocks with fixing flange; gray

www.wago.com/209-188



Data

Geometrical Data

Width	5 mm / 0.197 inch
Height from upper-edge of DIN-rail	5,1 mm / 0.201 inch
Depth	42,4 mm / 1.669 inch

Material Data

Color	gray
Fire load	0.029 MJ
Weight	1 g

Commercial data

Product Group	2 (Terminal Block Accessories)
Packaging type	bag
Country of origin	DE
GTIN	4017332200998
Customs tariff number	39269097900

Subject to changes. Please also observe the further product documentation!

WAGO Kontakttechnik GmbH & Co. KG
Hansastr. 27
32423 Minden
Phone: +49571 887-0 | Fax: +49571 887-169
Email: info.de@wago.com | Web: www.wago.com

Do you have any questions about our products?
We are always happy to take your call at +49 (571) 887-44222.



Counterpart

Downloads

CAD/CAE-Data

CAD data

	URL	Download
2D/3D Models 209-188		

CAE data

EPLAN Data Portal 209-188	URL	Download
---------------------------	-----	----------

WSCAD Universe 209-188	URL	Download
------------------------	-----	----------

Handling Instructions

Subject to changes. Please also observe the further product documentation!

WAGO Kontakttechnik GmbH & Co. KG
Hansastr. 27
32423 Minden
Phone: +49571 887-0 | Fax: +49571 887-169
Email: info.de@wago.com | Web: www.wago.com

Do you have any questions about our products?
We are always happy to take your call at +49 (571) 887-44222.