

FRWS 5 SC 8 OHM

Art. No. 2220

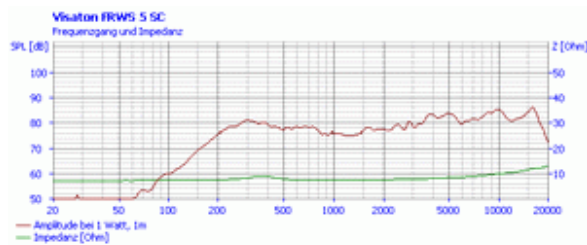
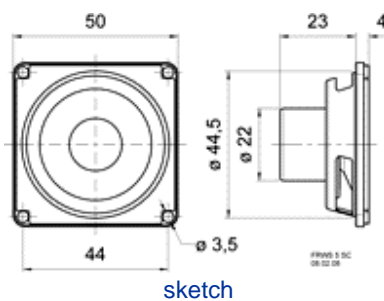
Magnetically shielded 5 cm (2") full-range driver with highly compact construction due to light-weight alnico magnet. Features balanced [frequency response](#) from 350 Hz and good omnidirectional [sound](#) distribution. Particularly suitable for music and voice reproduction in multimedia applications such as TV's, PC's etc.

Typical applications:

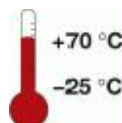
- Video monitoring screens
- TVs
- Control speaker for electronic devices
- Model construction

Attributes :

- Moisturised [cone](#)
- Metal basket
- Magnetically shielded



[frequency- and impedance response](#)

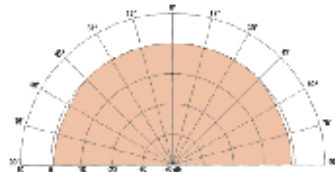


Technical Data:

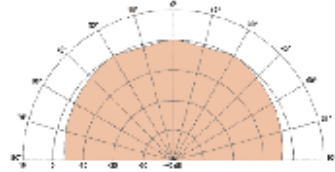
Rated power	2 W
Maximum power	5 W
Nominal impedance Z	8 Ohm
Frequency response	200–20000 Hz
Mean sound pressure level	80 dB (1 W/1 m)
Maximum cone displacement	4 mm
Resonance frequency fs	350 Hz
Voice coil diameter	14 mm
Height of winding	3,5 mm
Cutout diameter	45 mm
Net weight	0,052 kg
D.C. resistance Rdc	7,2 Ohm
Mechanical Q factor Qms	4,1
Electrical Q factor Qes	9,35
Total Q factor Qts	2,85
Equivalent volume Vas	0,2 l
Effective piston area Sd	12 cm ²
Dynamically moved mass Mms	0,5 g
Force factor Bxl	1 T m
Inductance of the voice coil L	0,1 mH
Heat resistance	–25 ... 70 °C

Similar Products

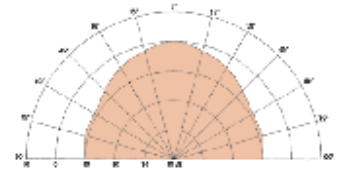
FRS 5 8 OHM	FRWS 5 4 OHM
FRWS 5 8 OHM	FRWS 5 R 8 OHM
K 50 8 OHM	K 50 SQ 8 OHM
K 50 WP 50 OHM	K 50 WP 8 OHM



[radiation pattern 2000 Hz](#)



[radiation pattern 5000 Hz](#)



[radiation pattern 10000 Hz](#)