



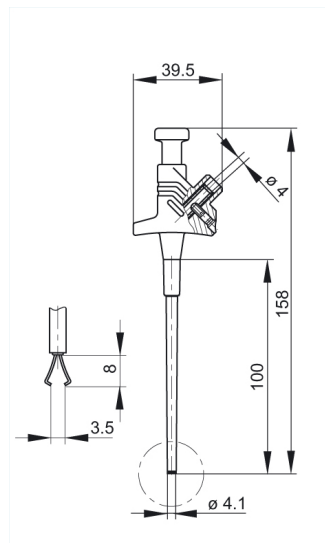
## KLEPS 30 schwarz/black

Measuring and Testing Equipment: Clamp-type test probes: 4 mm system

### Product description

Description	Clamp-type test probe with rotating grip jaws and flexible shaft. The special form of the grip jaws allows clamping of pins and wires up to a maximum of 4 mm diameter. 4 mm diameter brass socket connection with side screw, grip jaws additionally nickel-plated.
Type	KLEPS 30 schwarz/black
Order No.	930 113-100
System	4 mm system
Clamping range	4 mm
Clamp type	rotating grip jaws
Housing Color	black
Other standard types	red color, Order-No. 930 113-101

### Drawing



### Technical data

Type of contact	socket, screw connection
Type of termination	4 mm socket, screw
Rated voltage	DC 60 V
Contact resistance	50 mOhm

### Material

Contact material	spring steel wire
Contact surface material	nickel-plated
Housing material	PF

### Environmental conditions

Temperature range	-25 °C to +80 °C
-------------------	------------------

### Inflammability class

