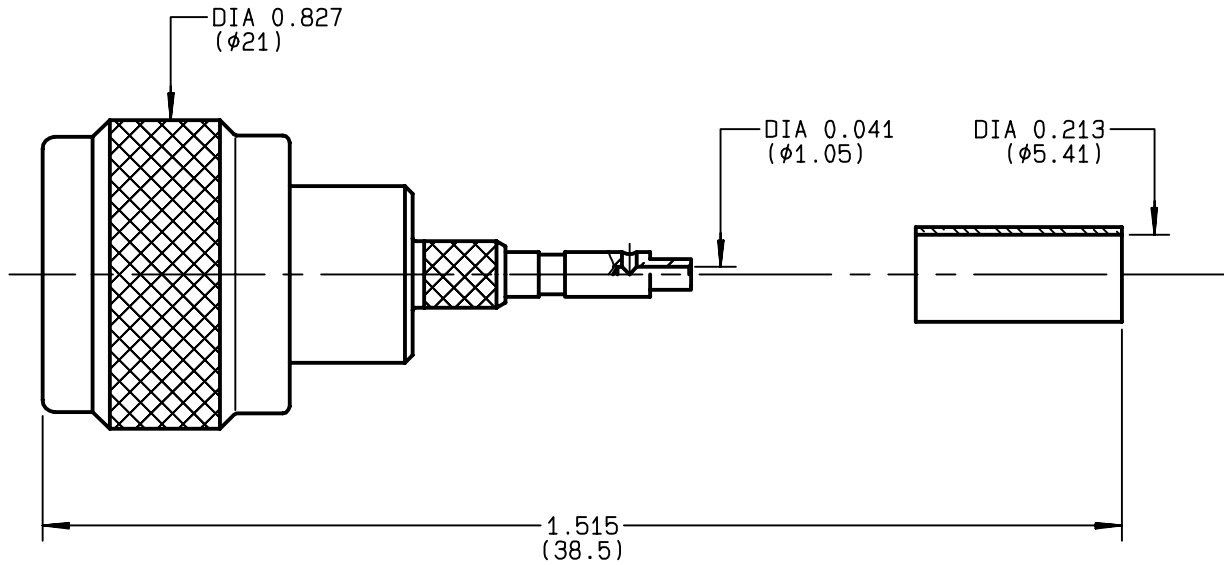


**STRAIGHT PLUG FULL CRIMP-TYPE
CABLE 5/50 S**

R161.082.000
SERIES N



NOMINAL IMPEDANCE	50 Ω	CABLES : BSSM 742 KX 15 RG 141 RG 58
FREQUENCY RANGE	0-11 GHz	
TEMPERATURE RATING	-55/+155 °C	
V.S.W.R	1.30 + 0 x F(GHz)Maxi	
RF INSERTION LOSS	0.048 √F(GHz) dB Maxi	
VOLTAGE RATING	850 Veff Maxi	
DIELECTRIC WITHSTANDING VOLTAGE	1500 Veff Mini	
INSULATION RESISTANCE	5000 MΩMini	
HERMETIC SEAL	NA Atm.cm ³ /s	
LEAKAGE (pressurized only)	NA	
MECHANICAL DURABILITY	500 Cycles	OTHERS CHARACTERISTICS
WEIGHT	0 gr	CABLE RETENTION 150 N Mini
SPECIFICATION		CENTER CONTACT RETENTION
		Axial force - mating end 27 N Mini
		Axial force - opposite end 27 N Mini
		Torque NA cm.N Mini
		RECOMMENDED TORQUES
		Mating 130 cm.N
		Panel nut NA cm.N
		Clamp nut NA cm.N

CONNECTOR PARTS	MATERIALS	FINISH	(all values are given in micrometers)
BODY	BRASS	BBR 2	
OUTER CONTACT	BRASS	BBR 2	
CENTER CONTACT	BRASS	GOLD 0.5 OVER NICKEL 2	
INSULATOR	PTFE	-	
GASKET	SILICONE RUBBER	-	
OTHERS PIECES	BRASS	BBR 2	

ISSUE	CREATION DATE	FILE PART-NUMBER
9812E03	21/07/1993	EPC 96-07



BONOMINI

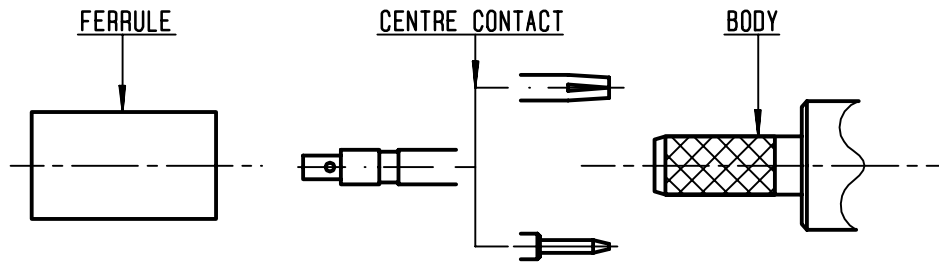
The information given here is subject to change without notice.
Design changes may be in order to improve the product .

Connect to the future



R161.082.000

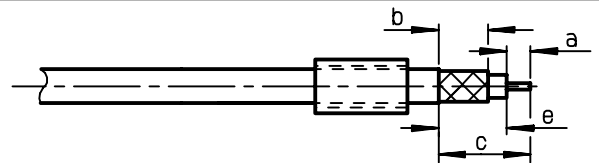
ISSUE **9812E03** SERIES **N**



①

Slide onto the cable the ferrule .
Strip the cable .

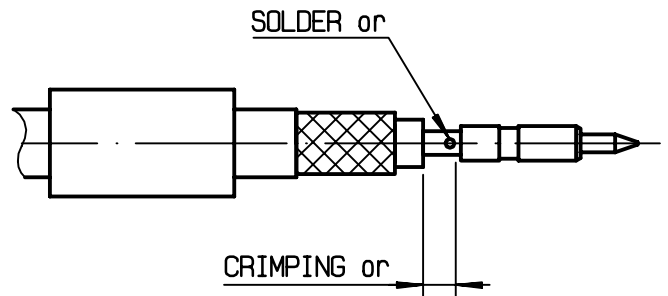
-
-
-



Stripping	a	b	c	d	e
inch	0.177	0.315	0.551	0	0.374
mm	4.5	8	14	0	9.5

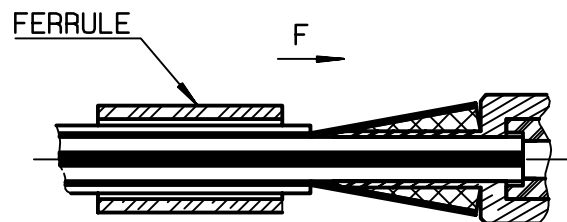
②

Slide on center contact until it bottoms against cable dielectric .
Solder or crimp center contact .
Crimping tool :R 282 223 000 (hex:.068)
or R282 293 000 (M22520/5-01) +
dies R282 235 011 (M22520/5-11)
(We advice to solder center contact
to improve electrical performances only
with the cable to PTFE dielectric.)



③

Fan the braid.
Slide cable into the body until
bottoms against insulator .
Slide ferrule over the braid .
(In direction F)



④

Crimp the ferrule with crimping tool
R 282 223 000 (Hex. : .213) or
crimping tool M22520/5-01 (R 282 293 000)
+ dies M22520/5-11 (R 282 235 011)
Cut the excess of braid .
Slide sleeve over ferrule
in place .

