



Specifications

Polycarbonate material

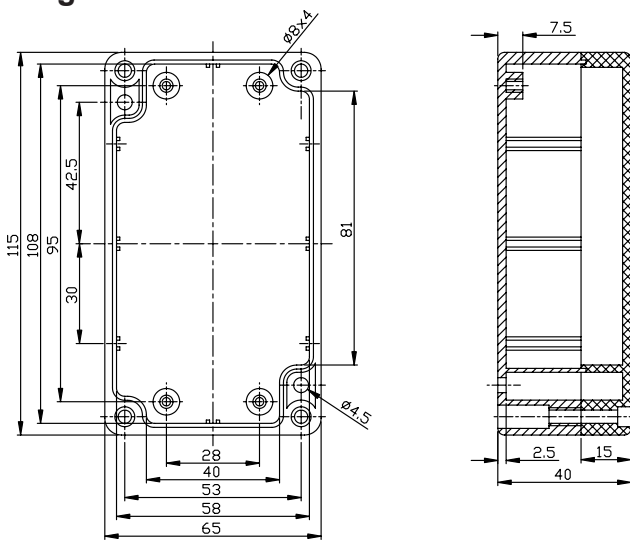
Moulded in : Light grey.
 Operating Temperature : -40°C to 120°C.
 Clear lid is available on request.

High impact ABS material

Moulded in : Dark grey.
 Suggested operating Temperature : -20°C to 80°C.

The lid and base incorporate a tongue and groove sealing system with a neoprene gasket.
 Wall mounting holes and lid fixing screws are outside the sealing area thus preventing the ingress of moisture and dust.
 Designed to IP 65 of IEC 529 and nema 4 (dust and hoseproof).
 Available with clear or light grey LIDS.
 Internal guide slots for mounting PCB assemblies vertically.
 Bosses on internal base allow fixing of PCB's horizontally or connection of terminals, etc into threaded brass inserts.
 Lid fixing screw are M-4 stainless steel (nonmagnetic) into threaded brass inserts.

Diagram



Dimensions : Millimetres

Part Number Table

Description	Colour	Material	External Dimensions (mm)	Part Number
Box, ABS, IP65, Grey	Dark Grey	ABS	115 × 65 × 40	G304

Important Notice : This data sheet and its contents (the "Information") belong to the members of the AVNET group of companies (the "Group") or are licensed to it. No licence is granted for the use of it other than for information purposes in connection with the products to which it relates. No licence of any intellectual property rights is granted. The Information is subject to change without notice and replaces all data sheets previously supplied. The Information supplied is believed to be accurate but the Group assumes no responsibility for its accuracy or completeness, any error in or omission from it or for any use made of it. Users of this data sheet should check for themselves the Information and the suitability of the products for their purpose and not make any assumptions based on information included or omitted. Liability for loss or damage resulting from any reliance on the Information or use of it (including liability resulting from negligence or where the Group was aware of the possibility of such loss or damage arising) is excluded. This will not operate to limit or restrict the Group's liability for death or personal injury resulting from its negligence. Multicomp Pro is the registered trademark of Premier Farnell Limited 2019.