

# EPIC® H-A 3 Housings

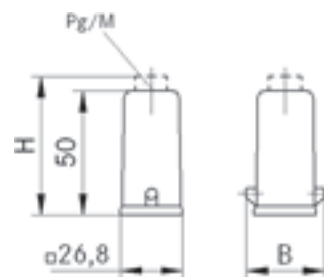
Innovative metal and plastic housing design



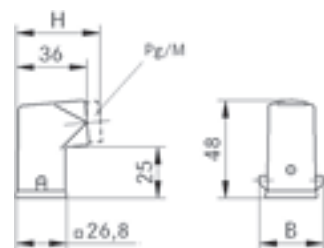
## H-A Hood straight cable entry

### Suitable inserts:

- EPIC® H-A 3 see page 430
- EPIC® H-D 7 see page 437
- EPIC® H-Q 5 see page 436
- EPIC® STA 6 Screw termination see page 433
- EPIC® H-A 4 see page 430
- EPIC® H-D 8 see page 437
- EPIC® STA 6 Solder termination see page 433



## H-A Hood side cable entry



Part number	Part	PG	M	Material	Colour	Cable gland	B	H
<b>H-A housing: Hood (straight cable entry)</b>								
10512100	H-A 3 M Tgv	11		Zinc die-casting	grey		33,5	
10425500	H-A 3 Tgv	11		Thermoplastic	black		36	
10426000	H-A 3 Tgv	11		Thermoplastic	grey		36	
10426500	H-A 3 M Tgv	11		Zinc die-casting	grey	yes	33,5	57
10426700	H-A 3 Tgv	11		Thermoplastic	black	yes	36	62
10426400	H-A 3 Tgv	11		Thermoplastic	grey	yes	36	62
19512100	H-A 3 M Tgv M20		20	Zinc die-casting	grey		33,5	
19425500	H-A 3 Tgv M20		20	Thermoplastic	black		36	
19426000	H-A 3 Tgv M20		20	Thermoplastic	grey		36	
19426500	H-A 3 M Tgv M20		20	Zinc die-casting	grey	yes	33,5	57
<b>H-A housing: Hood (side cable entry)</b>								
10512300	H-A 3 M Ts	11		Zinc die-casting	grey		33,5	
10427300	H-A 3 Ts	11		Thermoplastic	black		36	
10427000	H-A 3 Ts	11		Thermoplastic	grey		36	
10427500	H-A 3 M Ts	11		Zinc die-casting	grey	yes	33,5	43
10620600	H-A 3 Ts	11		Thermoplastic	black	yes	36	48
10427100	H-A 3 Ts	11		Thermoplastic	grey	yes	36	48
19512300	H-A 3 M Ts		20	Zinc die-casting	grey		33,5	
19427300	H-A 3 Ts		20	Thermoplastic	black		36	
19427000	H-A 3 Ts		20	Thermoplastic	grey		36	
19427500	H-A 3 M Ts		20	Zinc die-casting	grey	yes	33,5	43

# EPIC® H-A Inserts

H-A Inserts with screw termination up to 2.5 mm<sup>2</sup> wire cross section

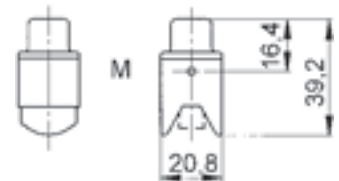
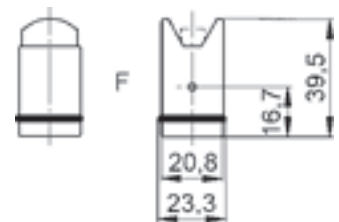


## H-A 3 screw termination

The H-A 3 are used wherever space is at a minimum. Screw termination with straight cable insertion from the rear  
 Ranges of application:  
 Machine and apparatus construction, control technology

### Suitable housing:

EPIC® H-A 3 Housings see page 472

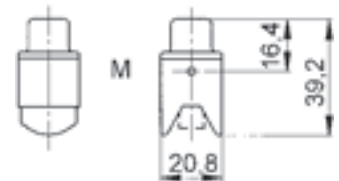
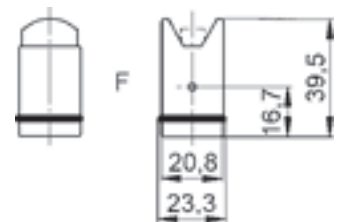


## H-A 4 screw termination

The small H-A 4 are used wherever space is at a minimum. Screw termination with straight cable insertion from the rear  
 Ranges of application:  
 Machine and apparatus construction, control technology

### Suitable housing:

EPIC® H-A 3 Housings see page 472



## Technical Data

Rated voltage  
 IEC: 400 V  
 UL: 600 V  
 CSA: 600 V

Rated impulse Voltage  
 4 kV

Rated current  
 IEC: 23 A  
 UL: 10 A  
 CSA: 10 A

Pollution degree  
 3; according to DIN EN 61984  
 sect. 6.19.2.2, at least one  
 protection degree of IP 54 must  
 be complied with

Contact resistance  
 1.5 - 4 mOhm

Contacts  
 Copper alloy, hard silver plated

Numbers of contacts  
 EPIC® H-A 3  
 3 + PE  
 EPIC® H-A 4  
 4 + PE

Termination methods  
 Screw termination: 0.5 - 2.5 mm<sup>2</sup>  
 (2.5 mm<sup>2</sup> only without conductor  
 end sleeves)

Cycle of mechanical operation  
 100

Range of temperature  
 -40°C - +100°C, temporary up  
 to +125°C

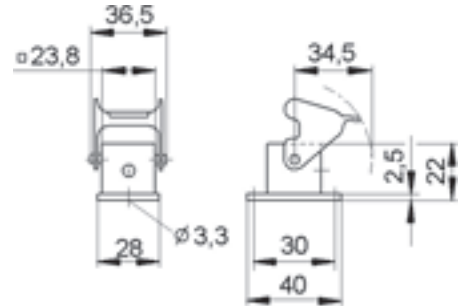
Part number	Part	Version	Contacts
<b>H-A 3 screw termination</b>			
10420000	H-A 3 SS		male 1 - 3
10421000	H-A 3 BS		female 1 - 3
<b>H-A 4 screw termination</b>			
10431000	H-A 4 SS		male 1 - 4
10432000	H-A 4 BS		female 1 - 4



## H-A Panel Mount Base

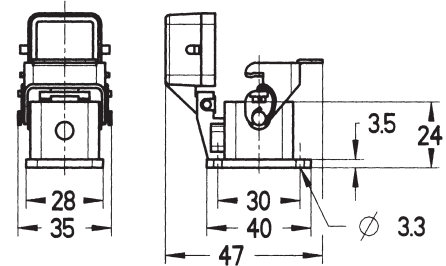
### Suitable inserts:

- EPIC® H-A 3 see page 430
- EPIC® H-D 7 see page 437
- EPIC® H-Q 5 see page 436
- EPIC® STA 6 Screw termination see page 433
- EPIC® H-A 4 see page 430
- EPIC® H-D 8 see page 437
- EPIC® STA 6 Solder termination see page 433

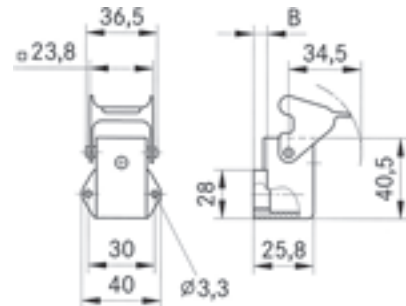


## H-A Panel Mount Base with cover

(with sealing, for female inserts)



## H-A Panel Mount Base angled



Part number	Part	Material	Colour	B
<b>H-A housing: Panel mount base (straight)</b>				
10422500	H-A 3 MAg	Zinc die-casting	grey	-
10422200	H-A 3 Ag	Thermoplastic	black	-
10422000	H-A 3 Ag	Thermoplastic	grey	-
<b>H-A housing: Panel mount base with cover</b>				
44429015	H-A 3 MAg	Aluminium die-casting	grey	-
<b>H-A housing: Panel mount base (angled)</b>				
10423500	H-A 3 MAgs	Zinc die-casting	grey	3,5
10423100	H-A 3 Ags	Thermoplastic	black	3,5
10423000	H-A 3 Ags	Thermoplastic	grey	3,5