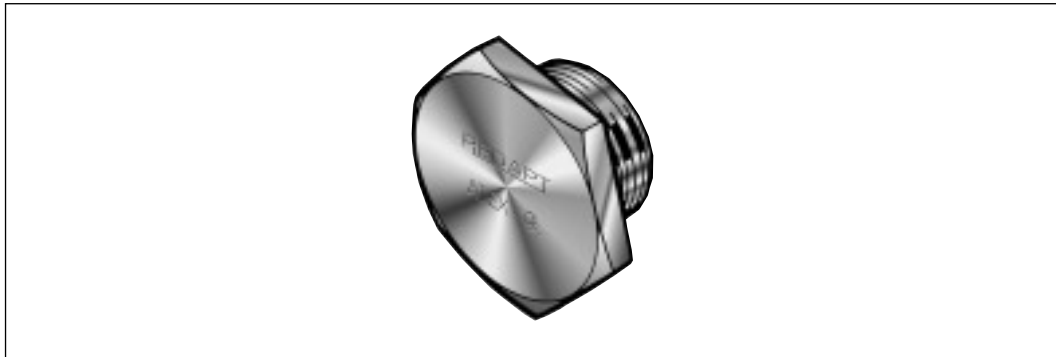


Increased Safety Hex Head Stopping Plugs IP54 & NEMA 3



PH-E Series Increased Safety Hex Head Stopping Plugs provide a method of filling unused entries in Ex equipment, maintaining the certification and integrity of the equipment.

CENELEC

Sira 00ATEX3092
II 2DG E Ex e II

CSA / A Ex

Class I, Zone 1, Ex e II
Class I Division 2 ABCD
Class II EFG, Class III

Ingress Protection:	IP54, CSA Enclosure Type (NEMA) 3
Impact Resistance:	7Nm
Ambient Temperature:	-50 to +85°C
Threadforms:	Metric, NPT, NPSM, ISO Pipe (BSP), PG, ET
Materials:	Brass, 316 Stainless Steel, Aluminium
Plating:	Nickel, Zinc, other on application
Part Number:	Please refer to <i>Part Numbering System</i>

Sizes Available & Dimension References

Metric	Dim Ref	NPT	Dim Ref	ISO Pipe	Dim Ref	PG	Dim Ref
M16	A					PG7	A
M20	B	½"	E	½"	B	PG9	A
M25	B	¾"	E	¾"	B	PG11	B
M32	B	1"	F	1"	B	PG13.5	B
M40	C	1¼"	F	1¼"	C	PG16	B
M50	C	1½"	F	1½"	C	PG21	B
M63	D	2"	F	2"	D	PG29	C
M75	D	2½"	G	2½"	D	PG36	C
		3"	G	3"	D	PG42	C
						PG48	D
				*			

* ISO Pipe taper dims as NPT sizes

Dimensions

	A	B	C	D	E	F	G
Hexagon A/F	Minimum 5.5mm larger than the major thread diameter						
Total Length	14.5	15.0	15.5	16.0	14.0	16.0	18.0
Thread Length	10.0	10.0	10.0	10.0	18.0	21.5	24.5

For full material specifications and options please refer to *Material Specifications*.