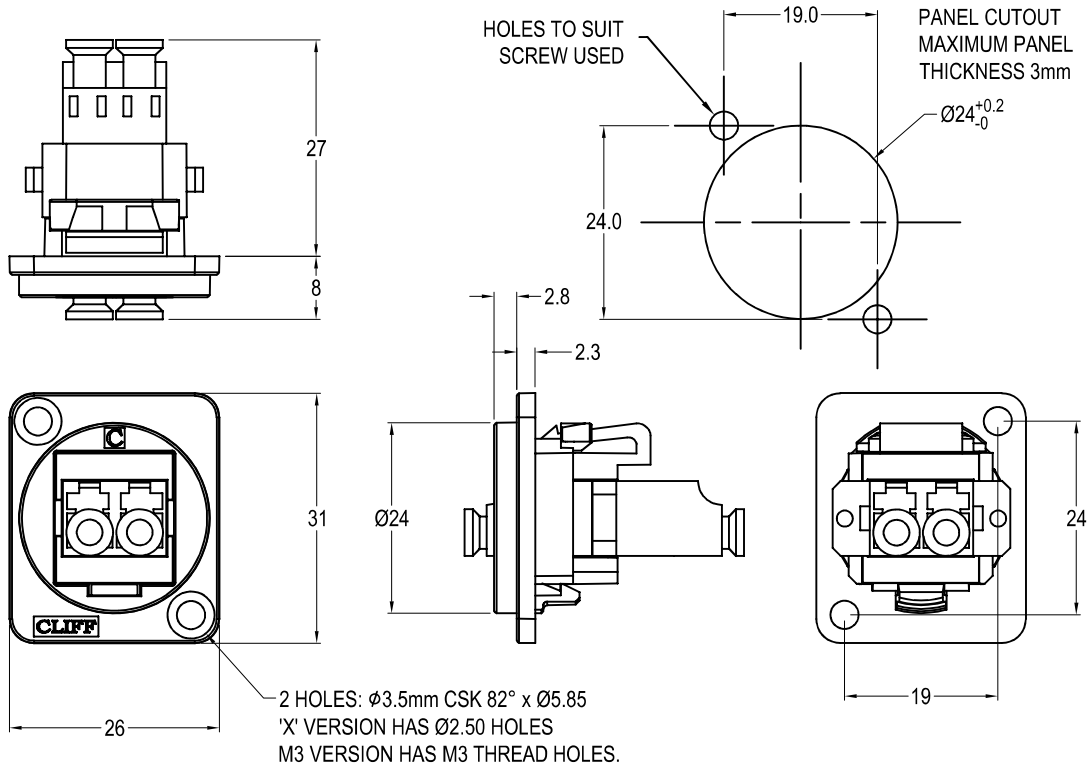
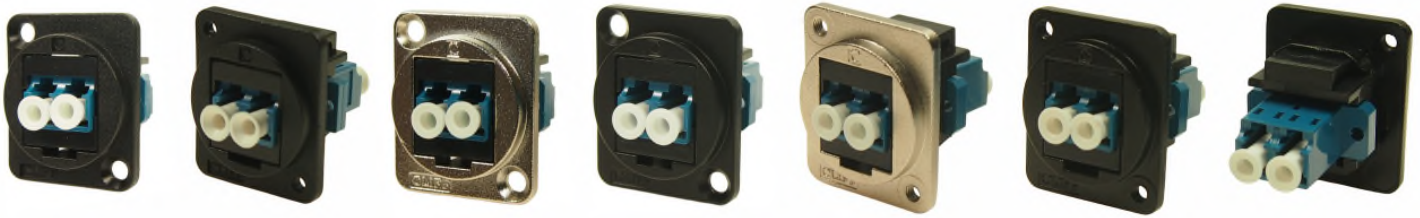


# CLIFF

## LC DUPLEX SM FEEDTHROUGH CONNECTOR



### Feedthrough Features

- Fits standard XLR Ø24mm cutout.
- No soldering or punch termination. Use standard cable for each connector style.
- Front or rear mounted.
- Low rear profile

### General:

Please note: Functionality is affected by cable quality, length and cable wiring configuration.

### VARIANTS

#### Part No.

<b>CP30213</b>	LC Duplex SM Black plastic frame, CSK holes
<b>CP30213M</b>	LC Duplex SM Nickel plated metal frame, CSK holes
<b>CP30213M3</b>	LC Duplex SM Nickel plated metal frame, M3 holes
<b>CP30213MB</b>	LC Duplex SM Black metal frame, CSK holes
<b>CP30213M3B</b>	LC Duplex SM Black metal frame, M3 holes
<b>CP30213X</b>	LC Duplex SM Black plastic frame, PLAIN holes

### Material:

1. Coupler Body: PEI
2. Plastic Frame: Polyamide UL94 V-2
3. Metal Frame: Diecast, Black or Nickel plated
4. Sleeve: Ceramic
5. Dust Cover: PE
6. Insert: ABS/PC

### Notes:

1. Insertion Loss: ≤0.3dB