

Capacity module - QUINT4-CAP/24DC/3.8/1KJ/PT - 2320526


Please be informed that the data shown in this PDF Document is generated from our Online Catalog. Please find the complete data in the user's documentation. Our General Terms of Use for Downloads are valid (<http://phoenixcontact.com/download>)



QUINT capacity module with maintenance-free double-layer capacitor-based energy storage for DIN rail mounting, input: 24 V DC, output: 24 V DC / 3.8 A / 1 kJ



Key Commercial Data

Packing unit	1 pc
GTIN	 4 055626 246925
GTIN	4055626246925
Weight per Piece (excluding packing)	445.000 g
Custom tariff number	85322900

Technical data

Dimensions

Width	85 mm
Height	102.5 mm
Depth	90 mm

Ambient conditions

Degree of protection	IP20
Ambient temperature (operation)	-25 °C ... 60 °C
Ambient temperature (start-up type tested)	-40 °C
Ambient temperature (storage/transport)	-40 °C ... 60 °C
Max. permissible relative humidity (operation)	≤ 95 %
Climatic class	3K3 (in acc. with EN 60721)
Degree of pollution	2
Installation height	≤ 4000 m

Input data

Input voltage	24 V DC (SELV)
Input voltage range	22.5 V DC ... 30 V DC

Capacity module - QUINT4-CAP/24DC/3.8/1KJ/PT - 2320526

Technical data

Input data

Current consumption (maximum)	4.3 A (max.)
Current consumption (idle)	0.08 A (No-load)
Current consumption (charging process)	0.43 A (charging process)
Fixed backup threshold	< 22 V DC

Output data

Nominal output voltage	24 V DC (depending on the input voltage)
Nominal output current (I _N)	3.8 A
Connection in parallel	Yes, up to 2 modules with decoupling module
Connection in series	No
Power loss nominal load max.	< 2 W

General

Net weight	0.48 kg
Memory medium	Dual layer capacitor
Efficiency	> 97 % (with charged energy storage device)
MTBF (IEC 61709, SN 29500)	996550 h (40 °C)
	1631804 h (25 °C)
	449865 h (60 °C)
Degree of protection	IP20
Protection class	III
Mounting position	Any, on NS 35 DIN rail
Assembly instructions	alignable: horizontally 0 mm, vertically 50 mm

Connection data, input

Connection method	Push-in connection
Conductor cross section solid min.	0.2 mm ²
Conductor cross section solid max.	2.5 mm ²
Conductor cross section flexible min.	0.2 mm ²
Conductor cross section flexible max.	2.5 mm ²
Conductor cross section AWG min.	24
Conductor cross section AWG max.	14
Stripping length	10 mm

Connection data, output

Connection method	Push-in connection
Conductor cross section solid min.	0.2 mm ²
Conductor cross section solid max.	2.5 mm ²
Conductor cross section flexible min.	0.2 mm ²
Conductor cross section flexible max.	2.5 mm ²
Conductor cross section AWG min.	24
Conductor cross section AWG max.	14
Stripping length	10 mm

Capacity module - QUINT4-CAP/24DC/3.8/1KJ/PT - 2320526

Technical data

Signaling

Signalization designation	U _{in} OK
Output name	Transistor output, active
Output voltage	24 V (U _N - 1 V (typical))
Continuous load current	20 mA
Status display	LED
Conductor cross section solid min.	0.2 mm ²
Conductor cross section solid max.	2.5 mm ²
Conductor cross section flexible min.	0.2 mm ²
Conductor cross section flexible max.	2.5 mm ²
Conductor cross section AWG min.	24
Conductor cross section AWG max.	14
Signalization designation	Ready
Output name	Transistor output, active
Output voltage	24 V (U _N - 1 V (typical))
Continuous load current	20 mA
Status display	LED
Signalization designation	Reference potential for Ready, U _{in} OK, and Remote

EMC data

Electromagnetic compatibility	Conformance with EMC Directive 2014/30/EU
Low Voltage Directive	Conformance with Low Voltage Directive 2014/35/EC
Noise emission	EN 61000-6-3
Electrostatic discharge	EN 61000-4-2
Contact discharge	6 kV (Test Level 3)
Discharge in air	8 kV (Test Level 3)
Electromagnetic HF field	EN 61000-4-3
Frequency range	80 MHz ... 6 GHz
Test field strength	10 V/m
Comments	Criterion A
Fast transients (burst)	EN 61000-4-4
Input	2 kV (Test Level 3 - asymmetrical)
Output	2 kV (Test Level 3 - asymmetrical)
Signal	2 kV (Test Level 4 - asymmetrical)
Comments	Criterion B
Surge voltage load (surge)	EN 61000-4-5
Input	1 kV (Test Level 3 - symmetrical)
	2 kV (Test Level 3 - asymmetrical)
Output	1 kV (Test Level 3 - symmetrical)
	2 kV (Test Level 3 - asymmetrical)
Signal	1 kV (Test Level 1 - asymmetrical)
Comments	Criterion B

Capacity module - QUINT4-CAP/24DC/3.8/1KJ/PT - 2320526

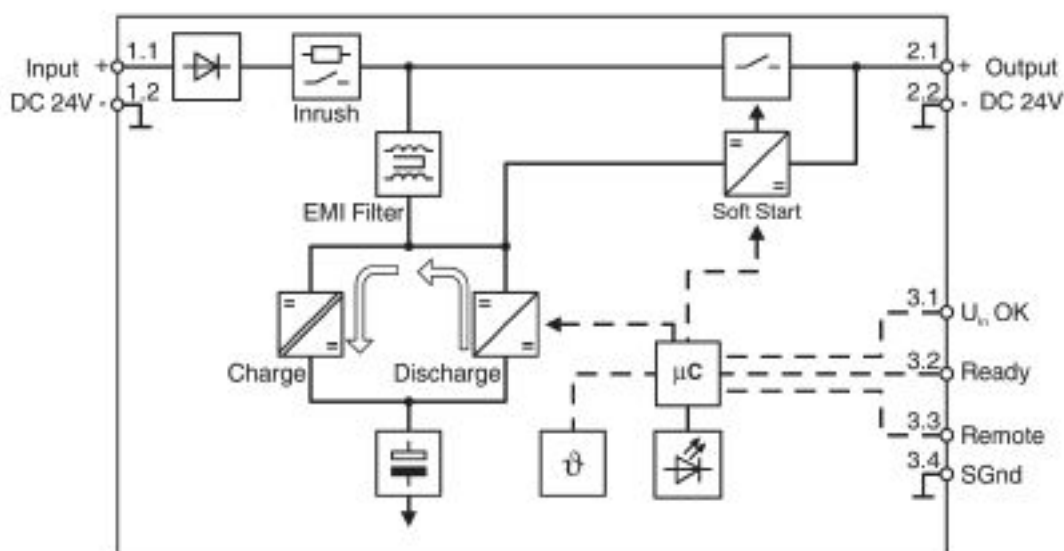
Technical data

EMC data

Frequency range	0.15 MHz ... 80 MHz
Voltage	10 V
Comments	Criterion A
Criterion A	Normal operating behavior within the specified limits.
Criterion B	Temporary impairment to operational behavior that is corrected by the device itself.

Drawings

Block diagram



Classifications

eCl@ss

eCl@ss 5.1	27242213
eCl@ss 8.0	27049201
eCl@ss 9.0	27049201

ETIM

ETIM 5.0	EC000382
ETIM 6.0	EC000382
ETIM 7.0	EC000382

UNSPSC

UNSPSC 13.2	39121004
UNSPSC 18.0	26111710
UNSPSC 19.0	26111710

Capacity module - QUINT4-CAP/24DC/3.8/1KJ/PT - 2320526

Classifications

UNSPSC

UNSPSC 20.0	26111710
UNSPSC 21.0	26111710

Approvals

Approvals

Approvals

UL Listed / cUL Listed / cULus Listed

Ex Approvals

UL Listed / cUL Listed / cULus Listed

Approval details

UL Listed		http://database.ul.com/cgi-bin/XYV/template/LISEXT/1FRAME/index.htm	FILE E 123528
-----------	--	---	---------------

cUL Listed		http://database.ul.com/cgi-bin/XYV/template/LISEXT/1FRAME/index.htm	FILE E 123528
------------	--	---	---------------

cULus Listed			
--------------	--	--	--

Accessories

Accessories

Base element

Base element - CB 1/6-2/4 PT-BE - 2800929



Base element with push-in connection technology for CB ... device circuit breakers

Fuse

Capacity module - QUINT4-CAP/24DC/3.8/1KJ/PT - 2320526

Accessories

Fuse - SI FORM C 7,5 A DIN 72581 - 0913702



Flat-type plug-in fuse, type C, color code: brown, nominal current: 7.5 A

Fuse terminal block

Fuse modular terminal block - PT 6-FSI/C - 3212166



Fuse modular terminal block, fuse type: Flat, connection method: Push-in connection, cross section: 0.5 mm²- 10 mm², AWG: 20 - 8, nominal current: 25 A, nom. voltage: 400 V, width: 8.2 mm, fuse type: Type C / max. 2.2 W, mounting type: NS 35/7,5, NS 35/15, color: black

Thermomagnetic device circuit breakers

Thermomagnetic device circuit breaker - CB TM1 8A SFB P - 2800842



Thermomagnetic device circuit breaker, 1-pos., tripping characteristic SFB, 1 PDT contact, plug for base element.