



## Product Change Notification - SYST-23AJLK047

---

**Date:**

24 Apr 2020

**Product Category:**

Linear Regulators

**Affected CPNs:****Notification subject:**

Data Sheet - MCP1811A/11B/12A/12B Family Data Sheet

**Notification text:**

SYST-23AJLK047

Microchip has released a new Product Documents for the MCP1811A/11B/12A/12B Family Data Sheet of devices. If you are using one of these devices please read the document located at [MCP1811A/11B/12A/12B Family Data Sheet](#).

**Notification Status:** Final

**Description of Change:**

- 1) Updated Package Marking Information.
- 2) Updated Product Identification System.

**Impacts to Data Sheet:** None

**Reason for Change:** To Improve Manufacturability

**Change Implementation Status:** Complete

**Date Document Changes Effective:** 24 Apr 2020

**NOTE:** Please be advised that this is a change to the document only the product has not been changed.

**Markings to Distinguish Revised from Unrevised Devices:** N/A

**Attachment(s):**

[MCP1811A/11B/12A/12B Family Data Sheet](#)

Please contact your local [Microchip sales office](#) with questions or concerns regarding this notification.

**Terms and Conditions:**

If you wish to receive Microchip PCNs via email please register for our PCN email service at our [PCN home page](#) select register then fill in the required fields. You will find instructions about registering for Microchips PCN email service in the [PCN FAQ](#) section.

If you wish to change your PCN profile, including opt out, please go to the [PCN home page](#) select login and sign into your myMicrochip account. Select a profile option from the left navigation bar and make the applicable selections.

Affected Catalog Part Numbers (CPN)

MCP1811AT-010/HCA  
MCP1811AT-010/LB  
MCP1811AT-010/LT  
MCP1811AT-010/OT  
MCP1811AT-010/TT  
MCP1811AT-012/HCA  
MCP1811AT-012/LB  
MCP1811AT-012/LT  
MCP1811AT-012/OT  
MCP1811AT-012/TT  
MCP1811AT-018/HCA  
MCP1811AT-018/LB  
MCP1811AT-018/LT  
MCP1811AT-018/OT  
MCP1811AT-018/TT  
MCP1811AT-020/HCA  
MCP1811AT-020/LB  
MCP1811AT-020/LT  
MCP1811AT-020/OT  
MCP1811AT-020/TT  
MCP1811AT-025/HCA  
MCP1811AT-025/LB  
MCP1811AT-025/LT  
MCP1811AT-025/OT  
MCP1811AT-025/TT  
MCP1811AT-028/HCA  
MCP1811AT-028/LB  
MCP1811AT-028/LT  
MCP1811AT-028/OT  
MCP1811AT-028/TT  
MCP1811AT-030/HCA  
MCP1811AT-030/LB  
MCP1811AT-030/LT  
MCP1811AT-030/OT  
MCP1811AT-030/TT  
MCP1811AT-033/HCA  
MCP1811AT-033/LB  
MCP1811AT-033/LT  
MCP1811AT-033/OT  
MCP1811AT-033/TT  
MCP1811AT-040/HCA  
MCP1811AT-040/LB  
MCP1811AT-040/LT  
MCP1811AT-040/OT  
MCP1811AT-040/TT  
MCP1811BT-010/HCA

MCP1811BT-010/LB  
MCP1811BT-010/LT  
MCP1811BT-010/OT  
MCP1811BT-010/TT  
MCP1811BT-012/HCA  
MCP1811BT-012/LB  
MCP1811BT-012/LT  
MCP1811BT-012/OT  
MCP1811BT-012/TT  
MCP1811BT-018/HCA  
MCP1811BT-018/LB  
MCP1811BT-018/LT  
MCP1811BT-018/OT  
MCP1811BT-018/TT  
MCP1811BT-020/HCA  
MCP1811BT-020/LB  
MCP1811BT-020/LT  
MCP1811BT-020/OT  
MCP1811BT-020/TT  
MCP1811BT-025/HCA  
MCP1811BT-025/LB  
MCP1811BT-025/LT  
MCP1811BT-025/OT  
MCP1811BT-025/TT  
MCP1811BT-028/HCA  
MCP1811BT-028/LB  
MCP1811BT-028/LT  
MCP1811BT-028/OT  
MCP1811BT-028/TT  
MCP1811BT-030/HCA  
MCP1811BT-030/LB  
MCP1811BT-030/LT  
MCP1811BT-030/OT  
MCP1811BT-030/TT  
MCP1811BT-033/HCA  
MCP1811BT-033/LB  
MCP1811BT-033/LT  
MCP1811BT-033/OT  
MCP1811BT-033/TT  
MCP1811BT-040/HCA  
MCP1811BT-040/LB  
MCP1811BT-040/LT  
MCP1811BT-040/OT  
MCP1811BT-040/TT  
MCP1812AT-010/HCA  
MCP1812AT-010/LB  
MCP1812AT-010/LT  
MCP1812AT-010/OT  
MCP1812AT-010/TT

MCP1812AT-012/HCA  
MCP1812AT-012/LB  
MCP1812AT-012/LT  
MCP1812AT-012/OT  
MCP1812AT-012/TT  
MCP1812AT-018/HCA  
MCP1812AT-018/LB  
MCP1812AT-018/LT  
MCP1812AT-018/OT  
MCP1812AT-018/TT  
MCP1812AT-020/HCA  
MCP1812AT-020/LB  
MCP1812AT-020/LT  
MCP1812AT-020/OT  
MCP1812AT-020/TT  
MCP1812AT-025/HCA  
MCP1812AT-025/LB  
MCP1812AT-025/LT  
MCP1812AT-025/OT  
MCP1812AT-025/TT  
MCP1812AT-028/HCA  
MCP1812AT-028/LB  
MCP1812AT-028/LT  
MCP1812AT-028/OT  
MCP1812AT-028/TT  
MCP1812AT-030/HCA  
MCP1812AT-030/LB  
MCP1812AT-030/LT  
MCP1812AT-030/OT  
MCP1812AT-030/TT  
MCP1812AT-033/HCA  
MCP1812AT-033/LB  
MCP1812AT-033/LT  
MCP1812AT-033/OT  
MCP1812AT-033/TT  
MCP1812AT-040/HCA  
MCP1812AT-040/LB  
MCP1812AT-040/LT  
MCP1812AT-040/OT  
MCP1812AT-040/TT  
MCP1812BT-010/HCA  
MCP1812BT-010/LB  
MCP1812BT-010/LT  
MCP1812BT-010/OT  
MCP1812BT-010/TT  
MCP1812BT-012/HCA  
MCP1812BT-012/LB  
MCP1812BT-012/LT  
MCP1812BT-012/OT

MCP1812BT-012/TT  
MCP1812BT-018/HCA  
MCP1812BT-018/LB  
MCP1812BT-018/LT  
MCP1812BT-018/OT  
MCP1812BT-018/TT  
MCP1812BT-020/HCA  
MCP1812BT-020/LB  
MCP1812BT-020/LT  
MCP1812BT-020/OT  
MCP1812BT-020/TT  
MCP1812BT-025/HCA  
MCP1812BT-025/LB  
MCP1812BT-025/LT  
MCP1812BT-025/OT  
MCP1812BT-025/TT  
MCP1812BT-028/HCA  
MCP1812BT-028/LB  
MCP1812BT-028/LT  
MCP1812BT-028/OT  
MCP1812BT-028/TT  
MCP1812BT-030/HCA  
MCP1812BT-030/LB  
MCP1812BT-030/LT  
MCP1812BT-030/OT  
MCP1812BT-030/TT  
MCP1812BT-033/HCA  
MCP1812BT-033/LB  
MCP1812BT-033/LT  
MCP1812BT-033/OT  
MCP1812BT-033/TT  
MCP1812BT-040/HCA  
MCP1812BT-040/LB  
MCP1812BT-040/LT  
MCP1812BT-040/OT  
MCP1812BT-040/TT



**MICROCHIP**

# MCP1811A/11B/12A/12B

## Ultra-Low Quiescent Current LDO Regulator for Long-Life Battery-Powered Applications

### Features

- Ultra-Low Quiescent Current: 250 nA (typical)
- Ultra-Low Shutdown Supply Current:
  - 10 nA typical for MCP1811A/12A
  - 5 nA typical for MCP1811B/12B
- Output Current Capability:
  - 150 mA for MCP1811X (**Note 1**)
  - 300 mA for MCP1812X
- Input Voltage Range: 1.8V to 5.5V
- Standard Output Voltages ( $V_R$ ): 1V, 1.2V, 1.8V, 2.0V, 2.5V, 2.8V, 3.0V, 3.3V and 4.0V; for any other voltage options (between 1V to 4V), please contact your local sales office
- Stable with Ceramic Output Capacitor: 1.0  $\mu$ F (MCP1811X) and 2.2  $\mu$ F (MCP1812X)
- Overcurrent Protection
- Output Discharge (Shutdown mode,  $\overline{\text{SHDN}} = \text{GND}$ ) MCP1811A/12A
- Available for the Following Packages:
  - 3-Lead SOT-23
  - 3-Lead SC70
  - 4-Lead 1 x 1 mm UDFN
  - 5-Lead SOT-23
  - 5-Lead SC70

### Applications

- Energy Harvesting
- Long-Life, Battery-Powered Applications
- Smart Cards
- Ultra-Low Consumption “Green” Products
- Wearable Electronics (smart watches, bracelets, headsets)
- Medical Devices (hearing aids)

### Description

The MCP1811X/12X devices are 150 mA (MCP1811X) and 300 mA (MCP1812X) Low Dropout (LDO) linear regulators that provide high-current and low output voltages while maintaining an ultra-low 250 nA of quiescent current during device operation. In addition, the MCP1811B/12B can be shut down for 5 nA (typical) supply current draw.

The MCP1811X/12X family comes in nine standard fixed output voltage versions: 1V, 1.2V, 1.8V, 2.0V, 2.5V, 2.8V, 3.0V, 3.3V and 4.0V.

The 150/300 mA output current capability, combined with the low output voltage capability, make the MCP1811X/12X device family a good choice for new ultra-long life LDO applications that have high-current demands, but require ultra-low power consumption during Sleep periods.

The MCP1811X/12X devices are stable with ceramic output capacitors that inherently provide lower output noise, and reduce the size and cost of the entire regulator solution. Only 1  $\mu$ F (2.2  $\mu$ F for MCP1812X) of output capacitance is needed to assure the stability of the system with a low noise output.

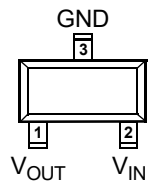
The MCP1811X/12X family can be paired with other ultra-low current devices, such as Microchip’s eXtreme Low-Power (XLP) technology devices, for a complete ultra-low power solution.

**Note 1:** The MCP1811X and MCP1812X designations refer to MCP1811A/11B and MCP1812A/12B, respectively.

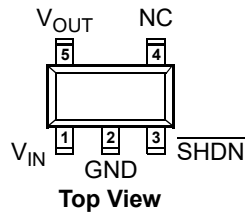
# MCP1811A/11B/12A/12B

## Package Types

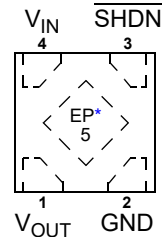
3-Lead SOT-23/SC70



5-Lead SOT-23/SC70



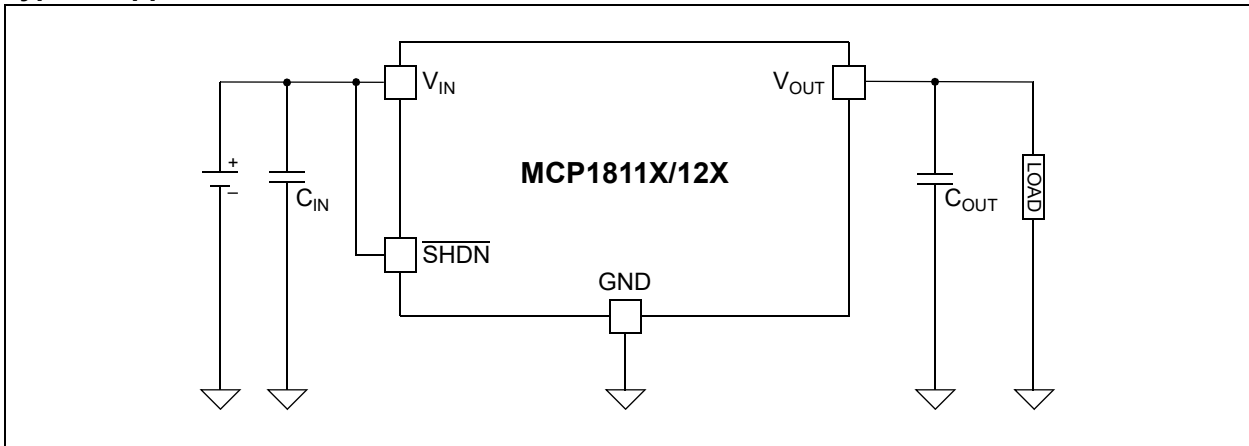
4-Lead 1x1 mm UDFN



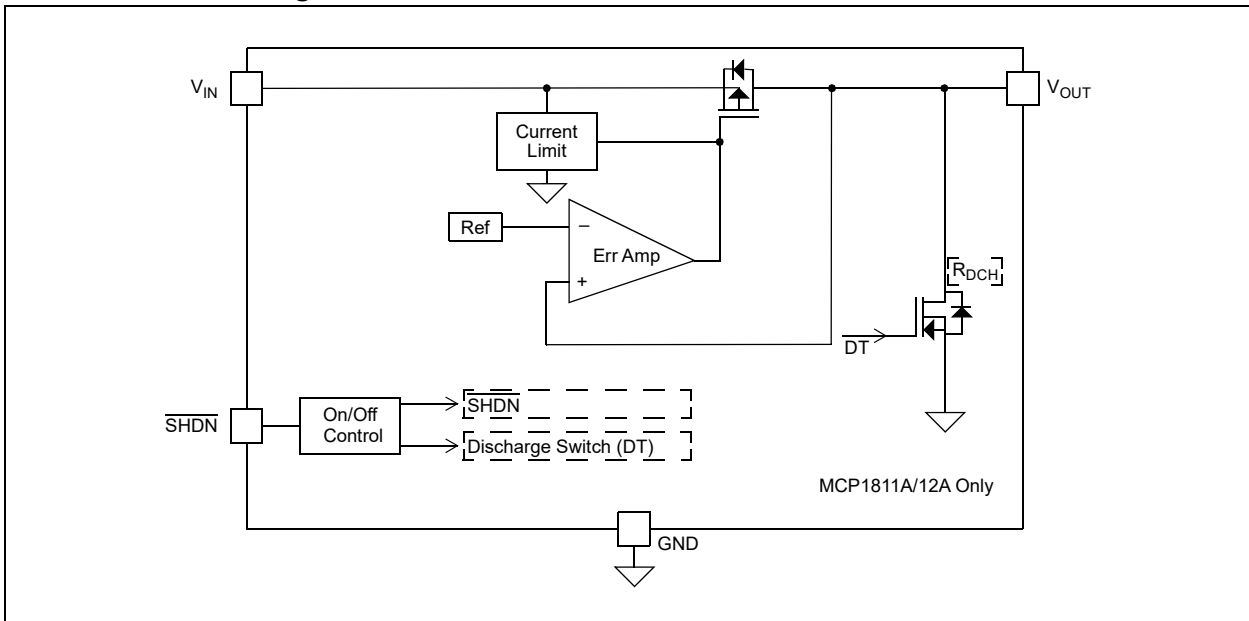
\* Includes Exposed Thermal Pad (see [Table 3-1](#)).

# MCP1811A/11B/12A/12B

## Typical Application



## Functional Block Diagram



**TABLE 1: MCP1811X/12X FAMILY MEMBERS**

Device	Description
MCP1811A	Ultra-Low Quiescent Current LDO Regulator with Output Discharge and 150 mA Output Current
MCP1811B	Ultra-Low Quiescent Current LDO Regulator with No Output Discharge and 150 mA Output Current
MCP1812A	Ultra-Low Quiescent Current LDO Regulator with Output Discharge and 300 mA Output Current
MCP1812B	Ultra-Low Quiescent Current LDO Regulator with No Output Discharge and 300 mA Output Current



# MCP1811A/11B/12A/12B

## 1.0 ELECTRICAL CHARACTERISTICS

### Absolute Maximum Ratings†

Input Voltage, $V_{IN}$ .....	+6.0V
Maximum Voltage on Any Pin.....	GND – 0.3V to $V_{IN} + 0.3V$
Output Short-Circuit Duration.....	Unlimited ( <b>Note 1</b> )
Storage Temperature.....	-55°C to +150°C
Maximum Junction Temperature, $T_J$ .....	+125°C
Operating Junction Temperature, $T_J$ .....	-40°C to +85°C
ESD Protection on All Pins (HBM).....	≥ 4 kV

† **Notice:** Stresses above those listed under “Absolute Maximum Ratings” may cause permanent damage to the device. This is a stress rating only and functional operation of the device at those or any other conditions above those indicated in the operational listings of this specification is not intended. Exposure to maximum rating conditions for extended periods may affect device reliability.

### AC/DC CHARACTERISTICS

**Electrical Specifications:** Unless otherwise indicated,  $V_{IN} = V_R + 1V$  (**Note 2**),  $I_{OUT} = 1\text{ mA}$ ,  $C_{IN} = C_{OUT} = 1\text{ }\mu\text{F}$  (MCP1811X) or  $2.2\text{ }\mu\text{F}$  (MCP1812X) ceramic (X7R),  $T_A = +25^\circ\text{C}$ ,  $\text{SHDN} > 1.4V$ . **Boldface** type applies for junction temperatures  $T_J$  of -40°C to +85°C (**Note 4**).

Parameters	Sym.	Min.	Typ.	Max.	Units	Conditions
Input Operating Voltage	$V_{IN}$	<b>1.8</b>	—	<b>5.5</b>	V	$I_{OUT} \leq 50\text{ mA}$ (MCP1811X, MCP1812X)
		<b>2.0</b>	—	<b>5.5</b>	V	$I_{OUT} \leq 150\text{ mA}$ (MCP1811X, MCP1812X)
		<b>2.4</b>	—	<b>5.5</b>	V	$I_{OUT} \leq 300\text{ mA}$ (MCP1812X)
Output Voltage Range	$V_{OUT}$	<b><math>V_R - 4\%</math></b>	$V_R$	<b><math>V_R + 4\%</math></b>		(MCP1811X, MCP1812X) ( <b>Note 2</b> )
Input Quiescent Current	$I_Q$	—	250	<b>500</b>	nA	$I_{OUT} = 0$ (MCP1811X, MCP1812X)
Input Quiescent Current for SHDN Mode	$I_{\text{SHDN}}$	—	10	<b>250</b>	nA	$\text{SHDN} = \text{GND}$ (MCP1811A/12A)
		—	5	<b>125</b>	nA	$\text{SHDN} = \text{GND}$ (MCP1811B/12B)
Ground Current	$I_{\text{GND}}$	—	90	<b>110</b>	$\mu\text{A}$	$I_{OUT} = 0$ to 150 mA (MCP1811X)
		—	180	<b>220</b>		$I_{OUT} = 0$ to 300 mA (MCP1812X)
Maximum Continuous Output Current	$I_{OUT}$	<b>150</b>	—	—	mA	MCP1811X
		<b>300</b>	—	—		MCP1812X
Current Limit	$I_{\text{LIMIT}}$	—	250	<b>420</b>	mA	MCP1811X
		—	500	<b>840</b>		MCP1812X

- 1: The maximum allowable power dissipation is a function of ambient temperature, the maximum allowable junction temperature and the thermal resistance from junction to air (i.e.,  $T_A$ ,  $T_J$ ,  $\theta_{JA}$ ). Exceeding the maximum allowable power dissipation will cause the operating junction temperature to exceed the maximum +85°C rating. Sustained junction temperatures above +85°C can impact device reliability.
- 2:  $V_R$  is a nominal regulator output voltage. The minimum  $V_{IN}$  must meet two conditions:  $V_{IN} \geq V_{IN(\text{MIN})}$  and  $V_{IN} \geq V_R + V_{\text{DROPOUT}(\text{MAX})}$ .
- 3: Load regulation is measured at a constant junction temperature using low duty cycle pulse testing. Load regulation is tested over a load range from 1 mA to the maximum specified output current.
- 4: The junction temperature is approximated by soaking the device under test at an ambient temperature equal to the desired junction temperature. The test time is small enough such that the rise in the junction temperature over the ambient temperature is not significant.
- 5: Dropout voltage is defined as the input-to-output voltage differential at which the output voltage drops 2% below its nominal value that was measured with an input voltage of  $V_{IN} = V_R + 1V$ .

# MCP1811A/11B/12A/12B

## AC/DC CHARACTERISTICS (CONTINUED)

**Electrical Specifications:** Unless otherwise indicated,  $V_{IN} = V_R + 1V$  (**Note 2**),  $I_{OUT} = 1\text{ mA}$ ,  $C_{IN} = C_{OUT} = 1\text{ }\mu\text{F}$  (MCP1811X) or  $2.2\text{ }\mu\text{F}$  (MCP1812X) ceramic (X7R),  $T_A = +25^\circ\text{C}$ ,  $\overline{\text{SHDN}} > 1.4V$ . **Boldface** type applies for junction temperatures  $T_J$  of  $-40^\circ\text{C}$  to  $+85^\circ\text{C}$  (**Note 4**).

Parameters	Sym.	Min.	Typ.	Max.	Units	Conditions
Foldback Current		—	50	—	mA	$R_{LOAD} = 1\Omega$ (MCP1811X)
		—	100	—		$R_{LOAD} = 1\Omega$ (MCP1812X)
Start-up Voltage Overshoot	$V_{OVER}$	—	5	<b>10</b>	% $V_{OUT}$	$V_{IN} = 0V$ to $5.5V$
Line Regulation	$\Delta V_{OUT}$	—	$\pm 20$	—	mV	$1.8V < V_{IN} < 5.5V$ (MCP1811X), $2.4V < V_{IN} < 5.5V$ (MCP1812X)
Load Regulation	$\Delta V_{OUT}$	—	$\pm 25$	—	mV	$I_{OUT} = 1\text{ mA}$ to $150\text{ mA}$ (MCP1811X) ( <b>Note 3</b> )
		—	$\pm 50$	—		$I_{OUT} = 1\text{ mA}$ to $300\text{ mA}$ (MCP1812X) ( <b>Note 3</b> )
Dropout Voltage	$V_{DROPOUT}$	—	400	<b>600</b>	mV	$I_{OUT} = 150\text{ mA}$ (MCP1811X), $I_{OUT} = 300\text{ mA}$ (MCP1812X) ( <b>Note 5</b> )
<b>Shutdown Input</b>						
Logic High Input	$V_{SHDN-HIGH}$	<b>70</b>	—	—	% $V_{IN}$	
Logic Low Input	$V_{SHDN-LOW}$	—	—	<b>20</b>	% $V_{IN}$	
Shutdown Input Leakage Current	$\overline{\text{SHDN}}_{ILK}$	—	0.100	<b>0.500</b>	nA	$\overline{\text{SHDN}} = \text{GND}$
		—	1.0	<b>20.0</b>	nA	$\overline{\text{SHDN}} = 5.5V$
Discharge Transistor	$R_{DCH}$	—	100	—	$\Omega$	MCP1811A/12A
<b>AC Performance</b>						
Start-up Delay from $\overline{\text{SHDN}}$	$T_{DELAY}$	—	400	—	$\mu\text{s}$	$\overline{\text{SHDN}} = \text{GND}$ to $V_{IN}$ , $V_{OUT} = \text{GND}$ to $10\% V_R$ , $V_{IN} = V_R + 1V$ to $5.5V$
Start-up Rise Time	$T_{RISE}$	200	—	1000	$\mu\text{s}$	$\overline{\text{SHDN}} = \text{GND}$ to $V_{IN}$ , $V_{OUT} = 10\% V_R$ to $95\% V_R$ , $V_{IN} = V_R + 1V$ to $5.5V$
Power Supply Ripple Rejection Ratio	PSRR	—	-50	—	dB	$C_{IN} = 0\text{ }\mu\text{F}$ , $V_{IN} = V_R + 1V + V_{INAC}/2$ or $V_{IN} = V_{IN\_Min} + 1V + V_{INAC}/2$ , $I_{OUT} = 10\text{ mA}$ and Full Load, $V_{INAC} = 0.2V_{pk-pk}$ , $f = 1\text{ kHz}$

- 1: The maximum allowable power dissipation is a function of ambient temperature, the maximum allowable junction temperature and the thermal resistance from junction to air (i.e.,  $T_A$ ,  $T_J$ ,  $\theta_{JA}$ ). Exceeding the maximum allowable power dissipation will cause the operating junction temperature to exceed the maximum  $+85^\circ\text{C}$  rating. Sustained junction temperatures above  $+85^\circ\text{C}$  can impact device reliability.
- 2:  $V_R$  is a nominal regulator output voltage. The minimum  $V_{IN}$  must meet two conditions:  $V_{IN} \geq V_{IN(MIN)}$  and  $V_{IN} \geq V_R + V_{DROPOUT(MAX)}$ .
- 3: Load regulation is measured at a constant junction temperature using low duty cycle pulse testing. Load regulation is tested over a load range from  $1\text{ mA}$  to the maximum specified output current.
- 4: The junction temperature is approximated by soaking the device under test at an ambient temperature equal to the desired junction temperature. The test time is small enough such that the rise in the junction temperature over the ambient temperature is not significant.
- 5: Dropout voltage is defined as the input-to-output voltage differential at which the output voltage drops 2% below its nominal value that was measured with an input voltage of  $V_{IN} = V_R + 1V$ .

# MCP1811A/11B/12A/12B

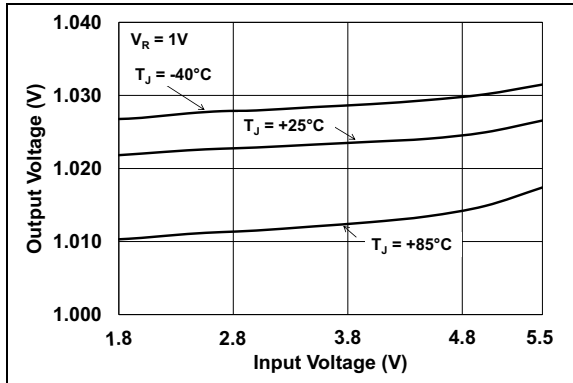
## TEMPERATURE SPECIFICATIONS

Parameters	Sym.	Min.	Typ.	Max.	Units	Conditions
<b>Temperature Ranges</b>						
Operating Junction Temperature Range	$T_J$	-40	—	+85	°C	Steady state
Maximum Junction Temperature	$T_J$	—	—	+125	°C	Transient
Storage Temperature Range	$T_A$	-65	—	+150	°C	
<b>Thermal Package Resistances</b>						
Thermal Resistance, 4-Lead 1x1 mm UDFN	$\theta_{JA}$	—	91.05	—	°C/W	JEDEC standard 4-layer FR4 board with 1 oz. copper and thermal vias
	$\theta_{JC(Top)}$	—	285.89	—	°C/W	
Thermal Resistance, 3-Lead SOT-23	$\theta_{JA}$	—	211.33	—	°C/W	JEDEC standard 4-layer FR4 board with 1 oz. copper
	$\theta_{JC(Top)}$	—	138.72	—	°C/W	
Thermal Resistance, 5-Lead SOT-23	$\theta_{JA}$	—	184.82	—	°C/W	
	$\theta_{JC(Top)}$	—	151.05	—	°C/W	
Thermal Resistance, 3-Lead SC70	$\theta_{JA}$	—	300.6	—	°C/W	
	$\theta_{JC(Top)}$	—	130.03	—	°C/W	
Thermal Resistance, 5-Lead SC70	$\theta_{JA}$	—	237.83	—	°C/W	
	$\theta_{JC(Top)}$	—	144.91	—	°C/W	

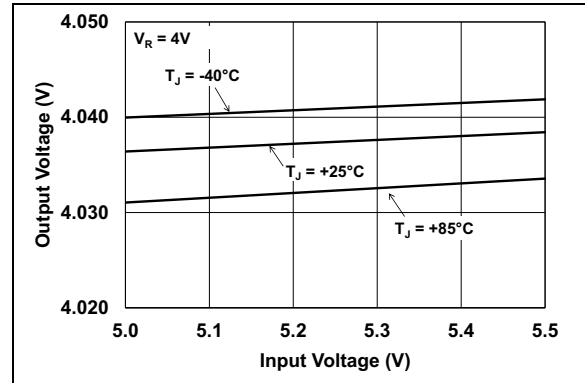
## 2.0 TYPICAL PERFORMANCE CURVES

**Note:** The graphs and tables provided following this note are a statistical summary based on a limited number of samples and are provided for informational purposes only. The performance characteristics listed herein are not tested or guaranteed. In some graphs or tables, the data presented may be outside the specified operating range (e.g., outside specified power supply range) and therefore outside the warranted range.

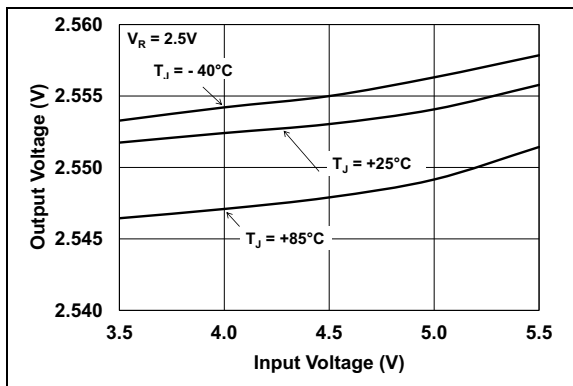
**Note:** Unless otherwise indicated,  $C_{IN} = C_{OUT} = 1 \mu\text{F}$  (MCP1811X) or  $2.2 \mu\text{F}$  (MCP1812X) ceramic type (X7R),  $I_{OUT} = 1 \text{ mA}$ ,  $T_A = +25^\circ\text{C}$ ,  $V_{IN} = V_R + 1\text{V}$ , SHDN = 1 M $\Omega$  pull-up to  $V_{IN}$ .



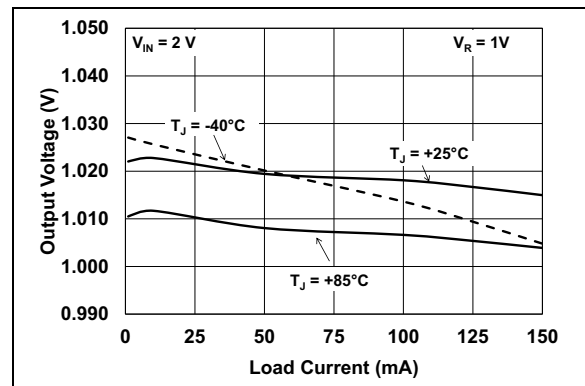
**FIGURE 2-1:** Output Voltage vs. Input Voltage (MCP1811X,  $V_R = 1.0\text{V}$ ).



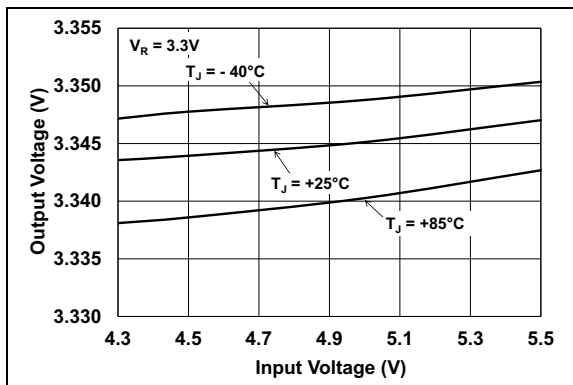
**FIGURE 2-4:** Output Voltage vs. Input Voltage (MCP1811X,  $V_R = 4.0\text{V}$ ).



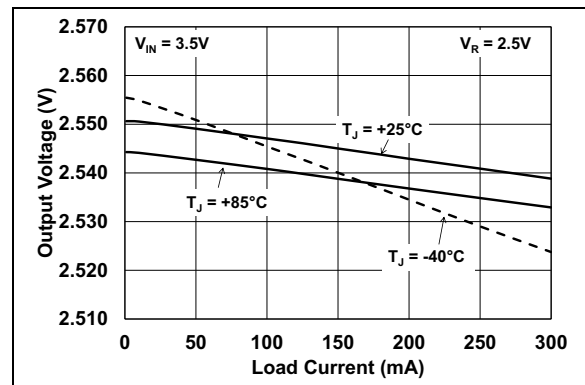
**FIGURE 2-2:** Output Voltage vs. Input Voltage (MCP1812X,  $V_R = 2.5\text{V}$ ).



**FIGURE 2-5:** Output Voltage vs. Load Current (MCP1811X,  $V_R = 1.0\text{V}$ ).



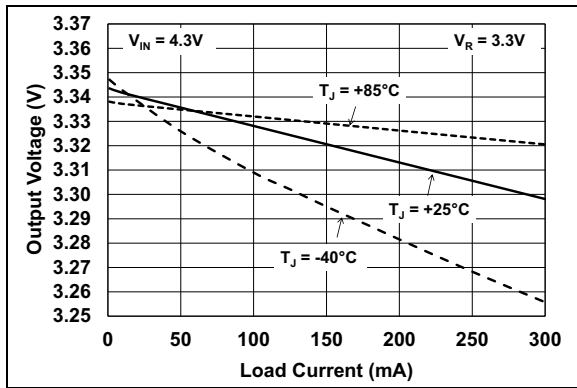
**FIGURE 2-3:** Output Voltage vs. Input Voltage (MCP1812X,  $V_R = 3.3\text{V}$ ).



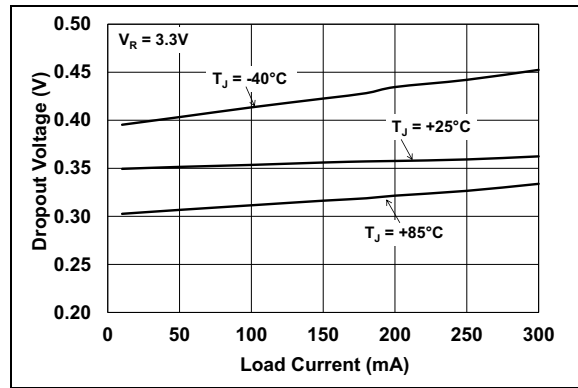
**FIGURE 2-6:** Output Voltage vs. Load Current (MCP1812X,  $V_R = 2.5\text{V}$ ).

# MCP1811A/11B/12A/12B

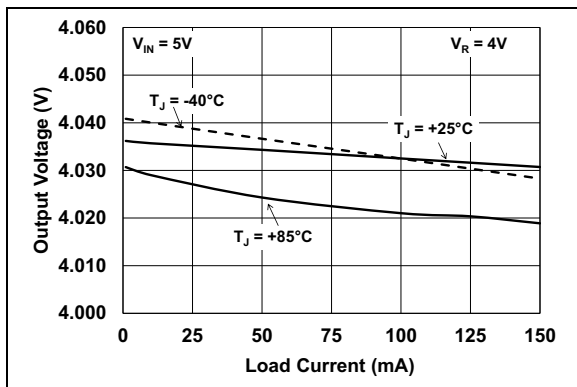
**Note:** Unless otherwise indicated,  $C_{IN} = C_{OUT} = 1 \mu F$  (MCP1811X) or  $2.2 \mu F$  (MCP1812X) ceramic type (X7R),  $I_{OUT} = 1 \text{ mA}$ ,  $T_A = +25^\circ\text{C}$ ,  $V_{IN} = V_R + 1\text{V}$ ,  $\text{SHDN} = 1 \text{ M}\Omega$  pull-up to  $V_{IN}$ .



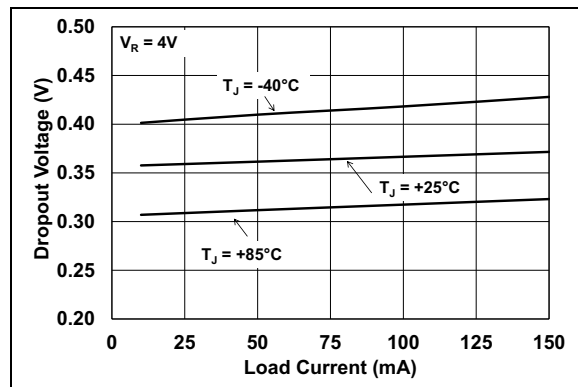
**FIGURE 2-7:** Output Voltage vs. Load Current (MCP1812X,  $V_R = 3.3\text{V}$ ).



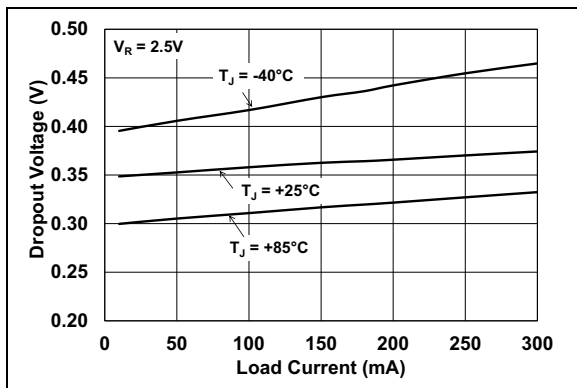
**FIGURE 2-10:** Dropout Voltage vs. Load Current (MCP1812X,  $V_R = 3.3\text{V}$ ).



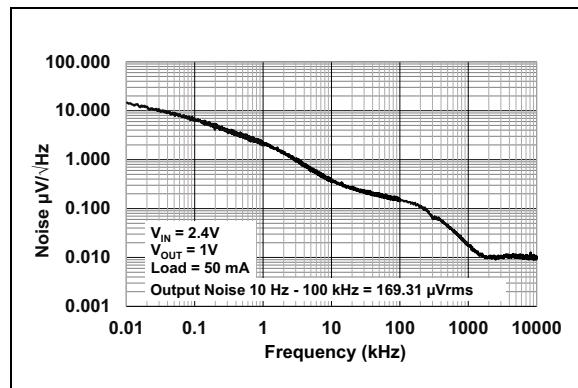
**FIGURE 2-8:** Output Voltage vs. Load Current (MCP1811X,  $V_R = 4.0\text{V}$ ).



**FIGURE 2-11:** Dropout Voltage vs. Load Current (MCP1811X,  $V_R = 4.0\text{V}$ ).



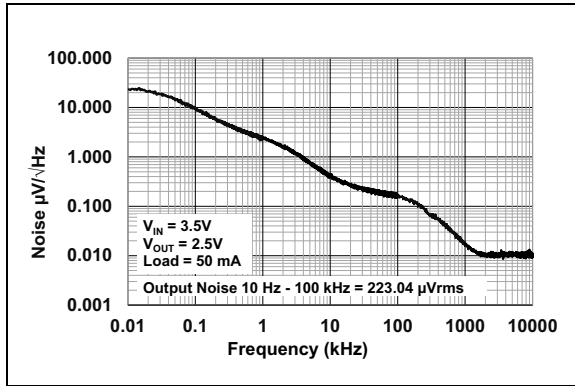
**FIGURE 2-9:** Dropout Voltage vs. Load Current (MCP1812X,  $V_R = 2.5\text{V}$ ).



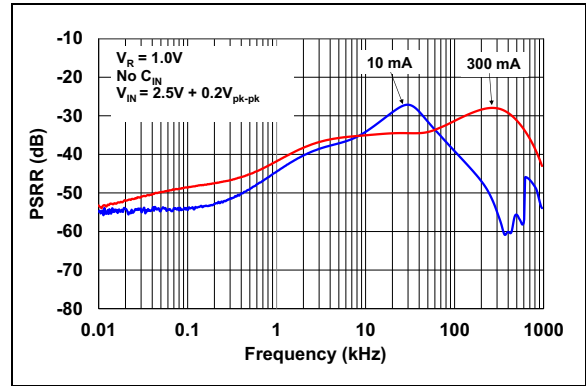
**FIGURE 2-12:** Noise vs. Frequency (MCP1812X,  $V_R = 1.0\text{V}$ ).

# MCP1811A/11B/12A/12B

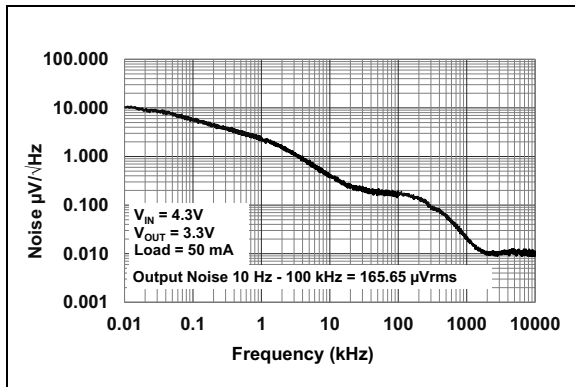
**Note:** Unless otherwise indicated,  $C_{IN} = C_{OUT} = 1 \mu\text{F}$  (MCP1811X) or  $2.2 \mu\text{F}$  (MCP1812X) ceramic type (X7R),  $I_{OUT} = 1 \text{ mA}$ ,  $T_A = +25^\circ\text{C}$ ,  $V_{IN} = V_R + 1\text{V}$ ,  $\text{SHDN} = 1 \text{ M}\Omega$  pull-up to  $V_{IN}$ .



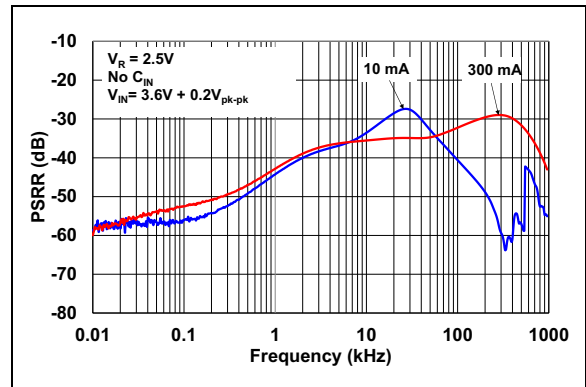
**FIGURE 2-13:** Noise vs. Frequency (MCP1812X,  $V_R = 2.5\text{V}$ ).



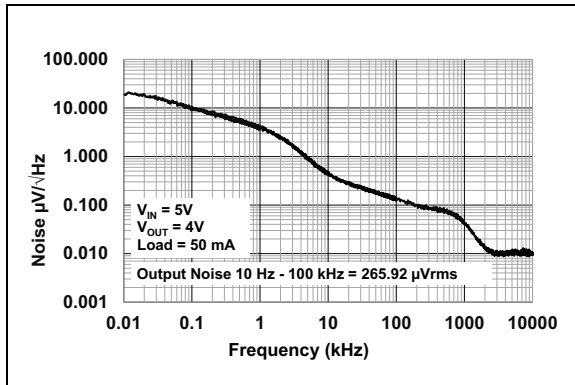
**FIGURE 2-16:** Power Supply Ripple Rejection vs. Frequency (MCP1812X,  $V_R = 1.0\text{V}$ ).



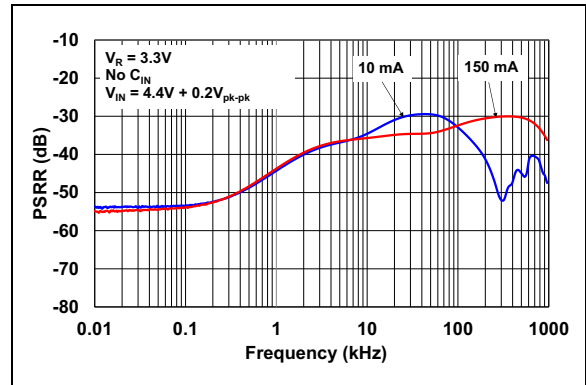
**FIGURE 2-14:** Noise vs. Frequency (MCP1811X,  $V_R = 3.3\text{V}$ ).



**FIGURE 2-17:** Power Supply Ripple Rejection vs. Frequency (MCP1812X,  $V_R = 2.5\text{V}$ ).



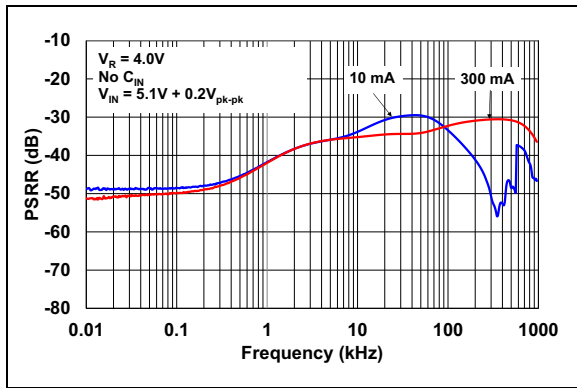
**FIGURE 2-15:** Noise vs. Frequency (MCP1811X,  $V_R = 4.0\text{V}$ ).



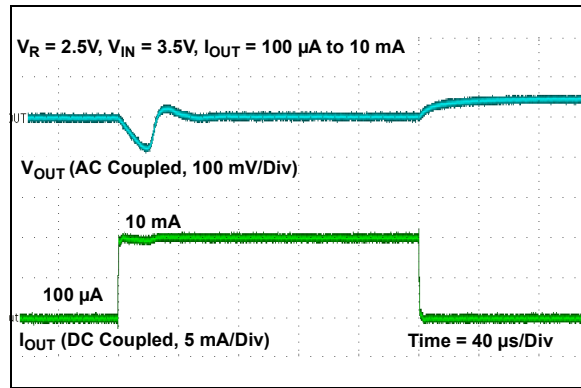
**FIGURE 2-18:** Power Supply Ripple Rejection vs. Frequency (MCP1811X,  $V_R = 3.3\text{V}$ ).

# MCP1811A/11B/12A/12B

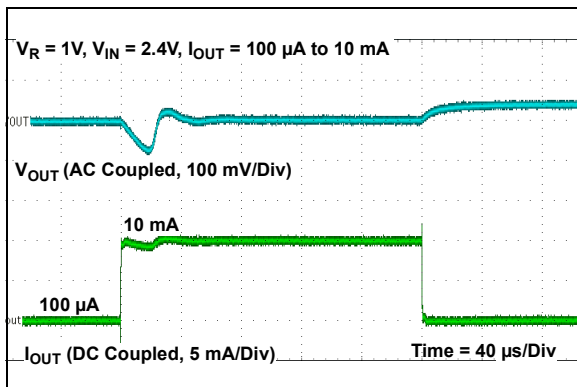
**Note:** Unless otherwise indicated,  $C_{IN} = C_{OUT} = 1 \mu\text{F}$  (MCP1811X) or  $2.2 \mu\text{F}$  (MCP1812X) ceramic type (X7R),  $I_{OUT} = 1 \text{ mA}$ ,  $T_A = +25^\circ\text{C}$ ,  $V_{IN} = V_R + 1\text{V}$ ,  $\text{SHDN} = 1 \text{ M}\Omega$  pull-up to  $V_{IN}$ .



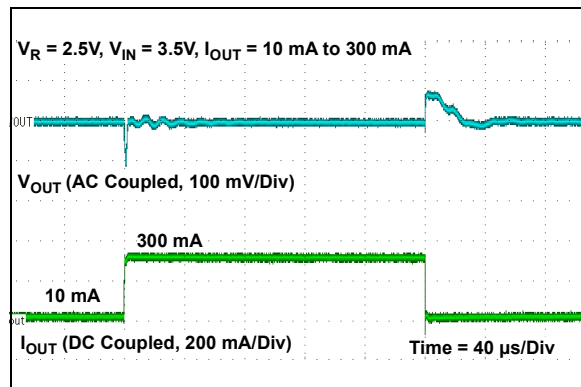
**FIGURE 2-19:** Power Supply Ripple Rejection vs. Frequency (MCP1812X,  $V_R = 4.0\text{V}$ ).



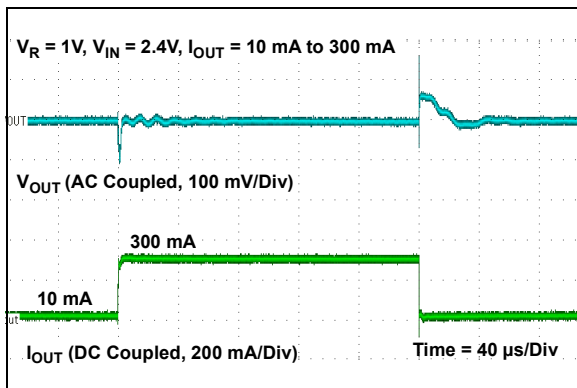
**FIGURE 2-22:** Dynamic Load Step (MCP1812X,  $V_R = 2.5\text{V}$ ).



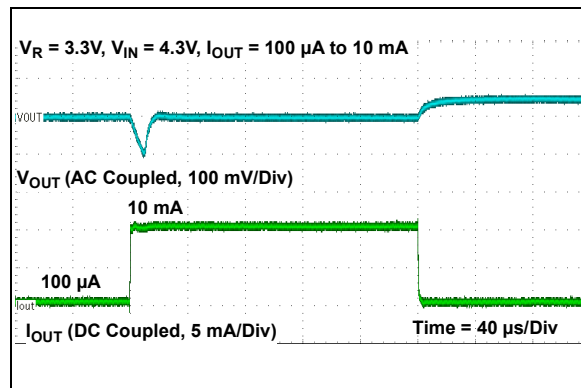
**FIGURE 2-20:** Dynamic Load Step (MCP1812X,  $V_R = 1.0\text{V}$ ).



**FIGURE 2-23:** Dynamic Load Step (MCP1812X,  $V_R = 2.5\text{V}$ ).



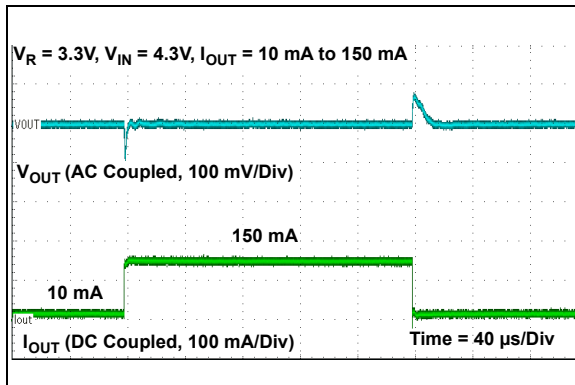
**FIGURE 2-21:** Dynamic Load Step (MCP1812X,  $V_R = 1.0\text{V}$ ).



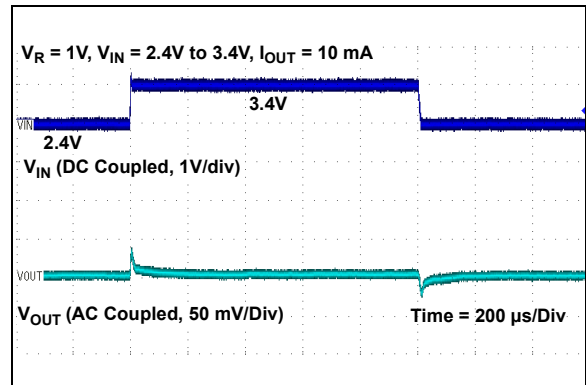
**FIGURE 2-24:** Dynamic Load Step (MCP1811X,  $V_R = 3.3\text{V}$ ).

# MCP1811A/11B/12A/12B

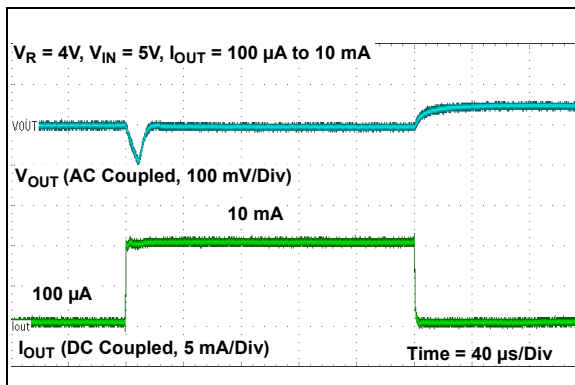
**Note:** Unless otherwise indicated,  $C_{IN} = C_{OUT} = 1 \mu F$  (MCP1811X) or  $2.2 \mu F$  (MCP1812X) ceramic type (X7R),  $I_{OUT} = 1 \text{ mA}$ ,  $T_A = +25^\circ\text{C}$ ,  $V_{IN} = V_R + 1\text{V}$ , SHDN =  $1 \text{ M}\Omega$  pull-up to  $V_{IN}$ .



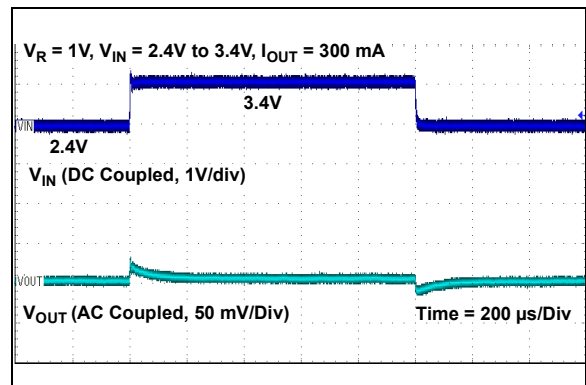
**FIGURE 2-25:** Dynamic Load Step (MCP1811X,  $V_R = 3.3\text{V}$ ).



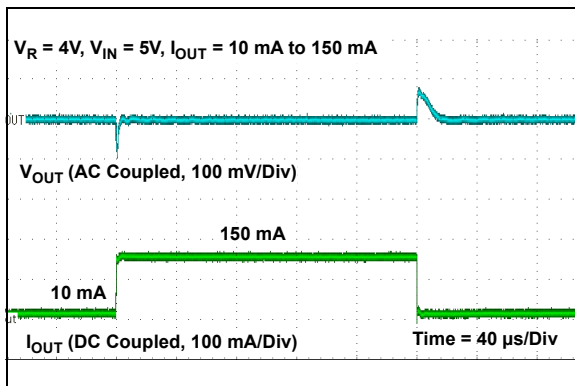
**FIGURE 2-28:** Dynamic Line Step (MCP1812X,  $V_R = 1.0\text{V}$ ).



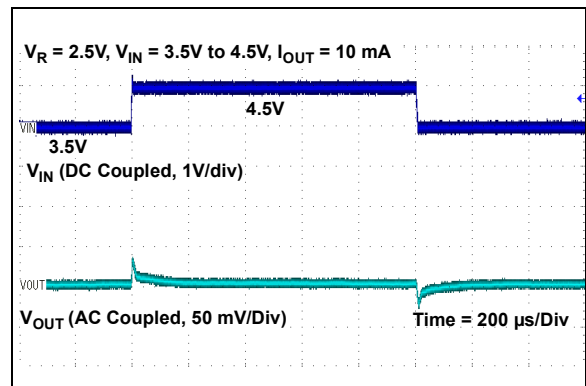
**FIGURE 2-26:** Dynamic Load Step (MCP1811X,  $V_R = 4.0\text{V}$ ).



**FIGURE 2-29:** Dynamic Line Step (MCP1812X,  $V_R = 1.0\text{V}$ ).



**FIGURE 2-27:** Dynamic Load Step (MCP1811X,  $V_R = 4.0\text{V}$ ).

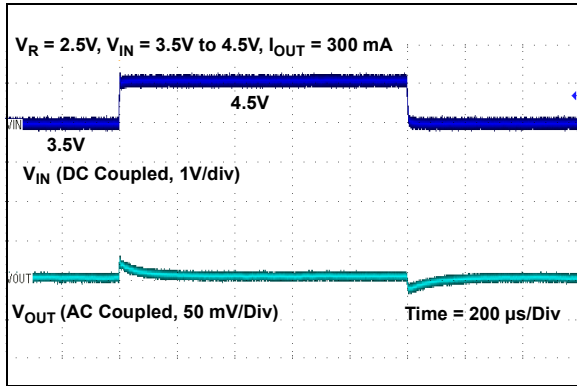


**FIGURE 2-30:** Dynamic Line Step (MCP1812X,  $V_R = 2.5\text{V}$ ).

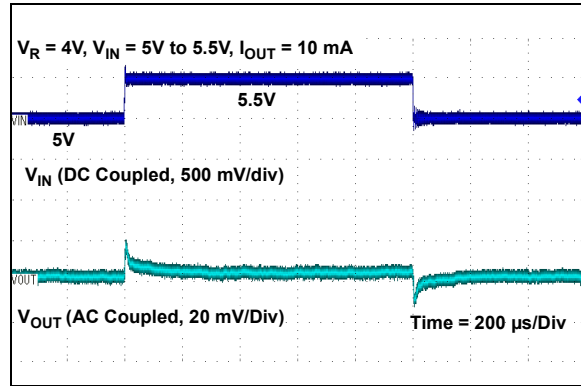


# MCP1811A/11B/12A/12B

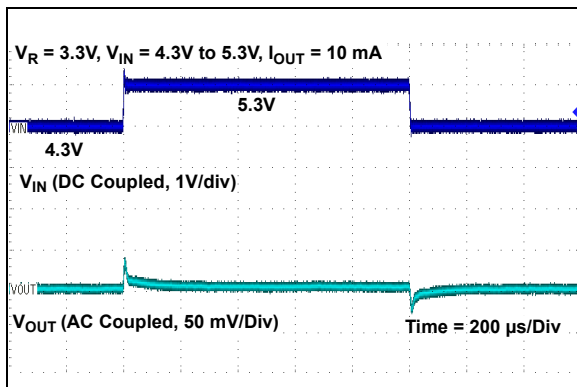
**Note:** Unless otherwise indicated,  $C_{IN} = C_{OUT} = 1 \mu\text{F}$  (MCP1811X) or  $2.2 \mu\text{F}$  (MCP1812X) ceramic type (X7R),  $I_{OUT} = 1 \text{ mA}$ ,  $T_A = +25^\circ\text{C}$ ,  $V_{IN} = V_R + 1\text{V}$ ,  $\text{SHDN} = 1 \text{ M}\Omega$  pull-up to  $V_{IN}$ .



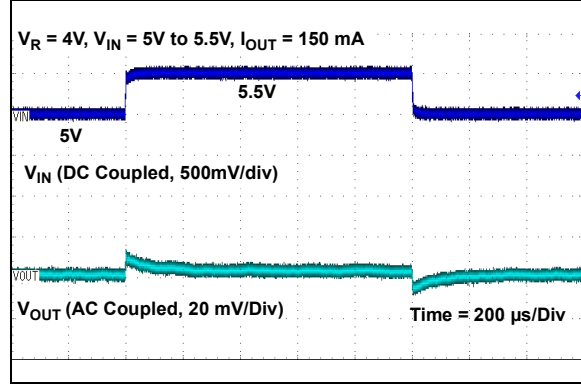
**FIGURE 2-31:** Dynamic Line Step (MCP1812X,  $V_R = 2.5\text{V}$ ).



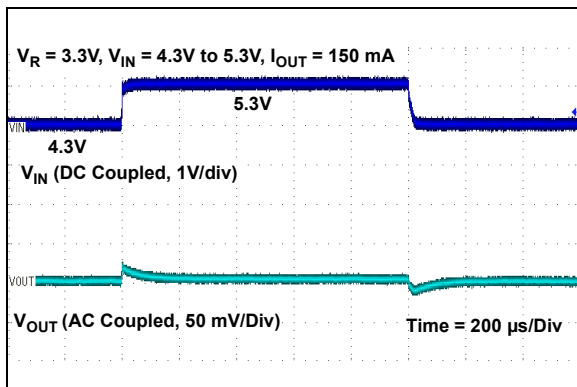
**FIGURE 2-34:** Dynamic Line Step (MCP1811X,  $V_R = 4.0\text{V}$ ).



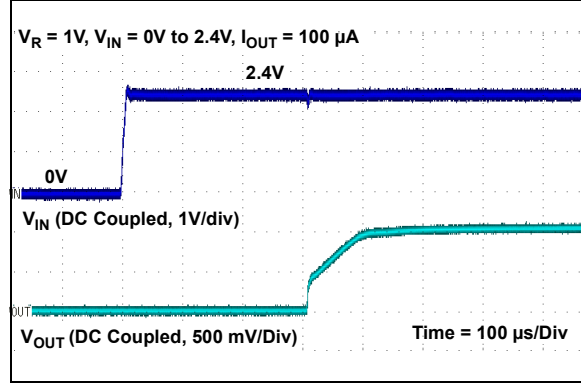
**FIGURE 2-32:** Dynamic Line Step (MCP1811X,  $V_R = 3.3\text{V}$ ).



**FIGURE 2-35:** Dynamic Line Step (MCP1811X,  $V_R = 4.0\text{V}$ ).



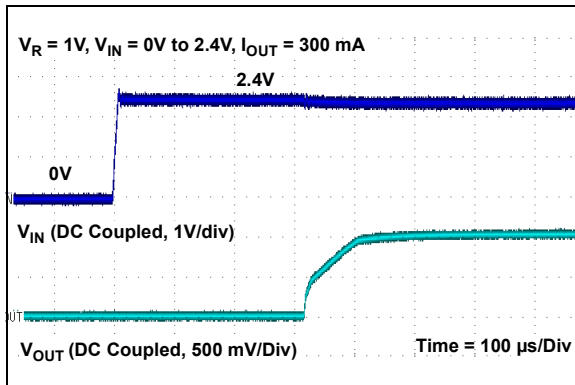
**FIGURE 2-33:** Dynamic Line Step (MCP1811X,  $V_R = 3.3\text{V}$ ).



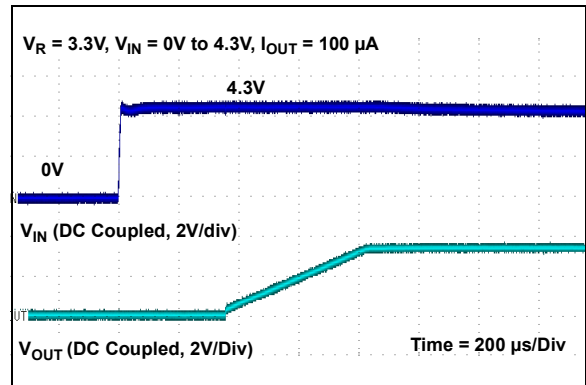
**FIGURE 2-36:** Start-up from  $V_{IN}$  (MCP1812X,  $V_R = 1.0\text{V}$ ).

# MCP1811A/11B/12A/12B

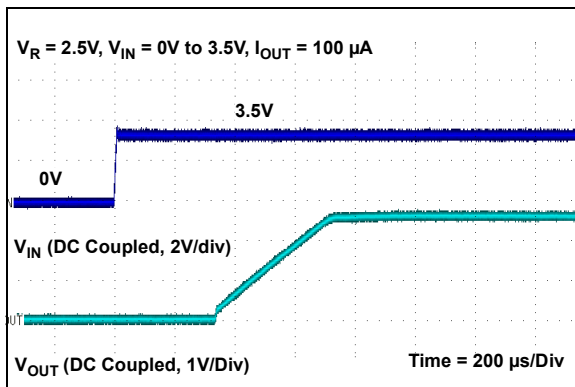
**Note:** Unless otherwise indicated,  $C_{IN} = C_{OUT} = 1 \mu\text{F}$  (MCP1811X) or  $2.2 \mu\text{F}$  (MCP1812X) ceramic type (X7R),  $I_{OUT} = 1 \text{ mA}$ ,  $T_A = +25^\circ\text{C}$ ,  $V_{IN} = V_R + 1\text{V}$ , SHDN =  $1 \text{ M}\Omega$  pull-up to  $V_{IN}$ .



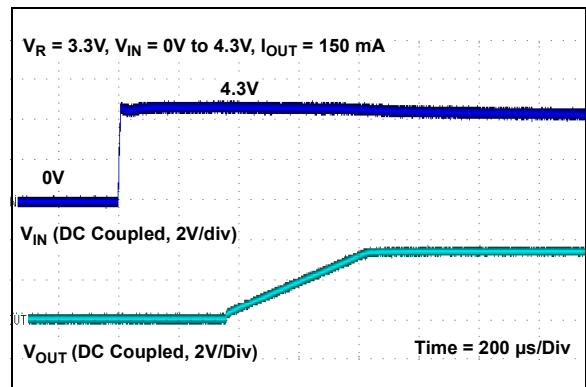
**FIGURE 2-37:** Start-up from  $V_{IN}$  (MCP1812X,  $V_R = 1.0\text{V}$ ).



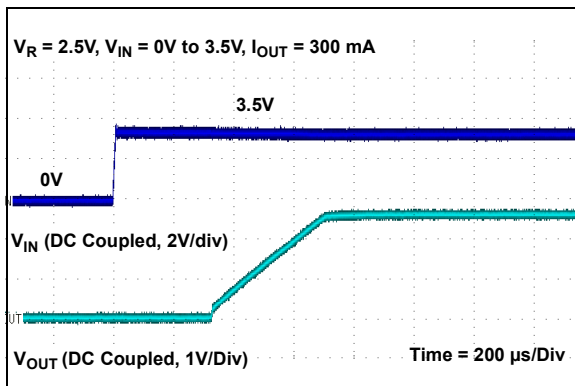
**FIGURE 2-40:** Start-up from  $V_{IN}$  (MCP1811X,  $V_R = 3.3\text{V}$ ).



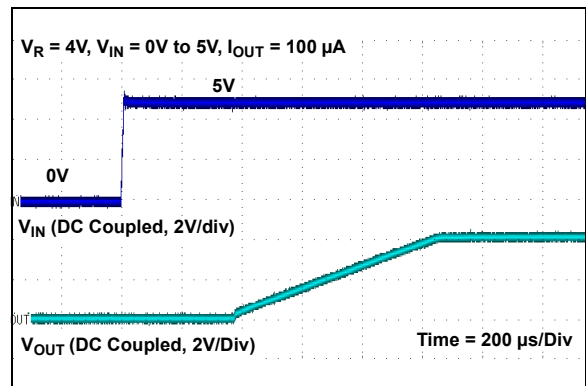
**FIGURE 2-38:** Start-up from  $V_{IN}$  (MCP1812X,  $V_R = 2.5\text{V}$ ).



**FIGURE 2-41:** Start-up from  $V_{IN}$  (MCP1811X,  $V_R = 3.3\text{V}$ ).



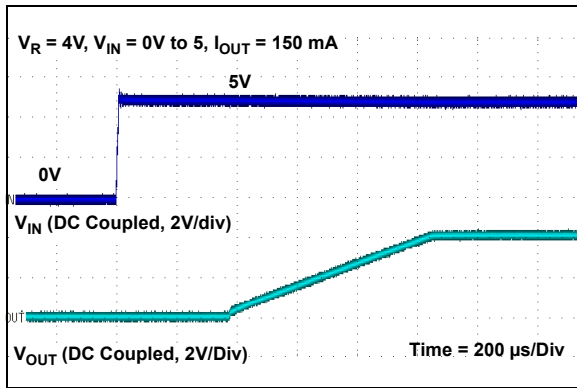
**FIGURE 2-39:** Start-up from  $V_{IN}$  (MCP1812X,  $V_R = 2.5\text{V}$ ).



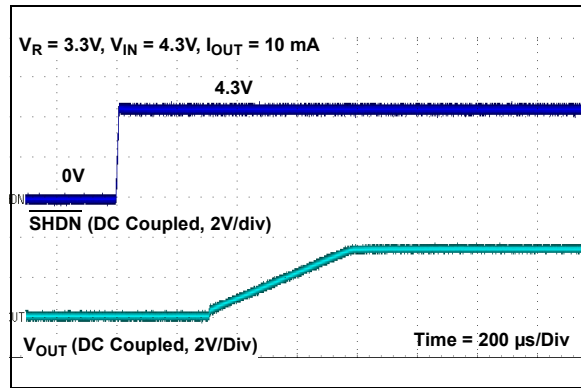
**FIGURE 2-42:** Start-up from  $V_{IN}$  (MCP1811X,  $V_R = 4.0\text{V}$ ).

# MCP1811A/11B/12A/12B

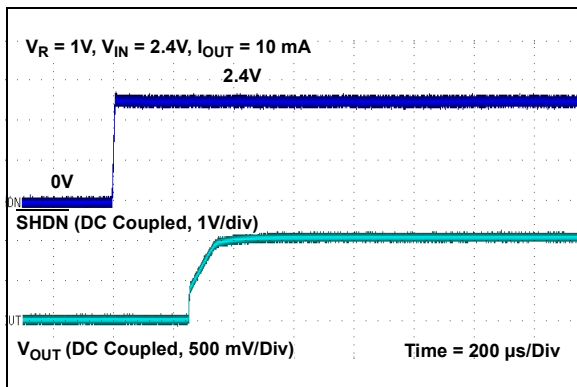
**Note:** Unless otherwise indicated,  $C_{IN} = C_{OUT} = 1 \mu F$  (MCP1811X) or  $2.2 \mu F$  (MCP1812X) ceramic type (X7R),  $I_{OUT} = 1 \text{ mA}$ ,  $T_A = +25^\circ\text{C}$ ,  $V_{IN} = V_R + 1\text{V}$ ,  $\overline{\text{SHDN}} = 1 \text{ M}\Omega$  pull-up to  $V_{IN}$ .



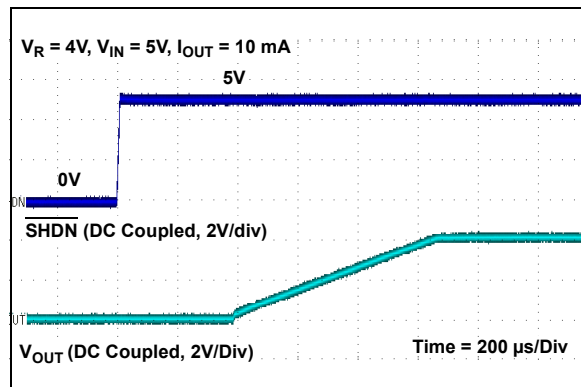
**FIGURE 2-43:** Start-up from  $V_{IN}$  (MCP1811X,  $V_R = 4.0\text{V}$ ).



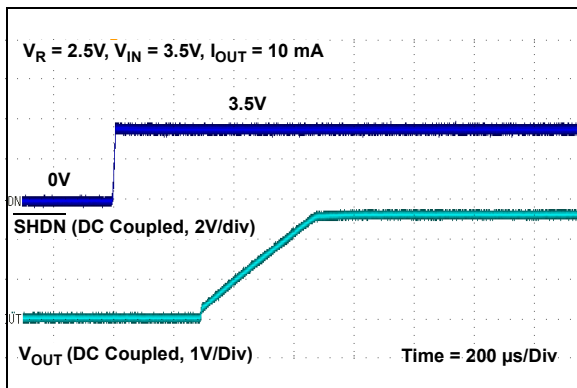
**FIGURE 2-46:** Start-up from  $\overline{\text{SHDN}}$  (MCP1811X,  $V_R = 3.3\text{V}$ ).



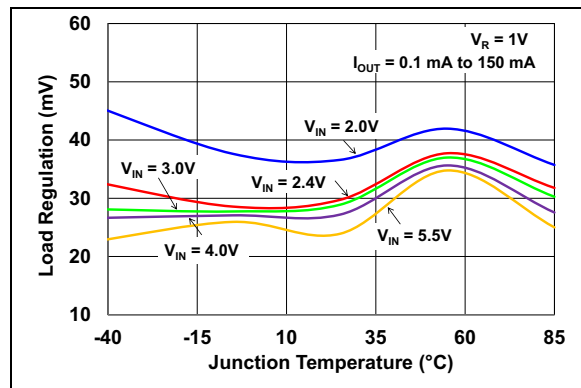
**FIGURE 2-44:** Start-up from  $\overline{\text{SHDN}}$  (MCP1812X,  $V_R = 1.0\text{V}$ ).



**FIGURE 2-47:** Start-up from  $\overline{\text{SHDN}}$  (MCP1811X,  $V_R = 4.0\text{V}$ ).



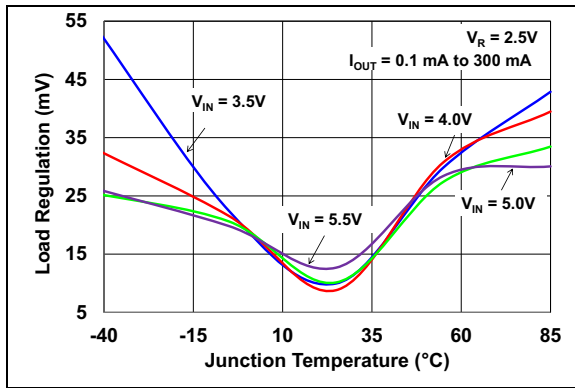
**FIGURE 2-45:** Start-up from  $\overline{\text{SHDN}}$  (MCP1812X,  $V_R = 2.5\text{V}$ ).



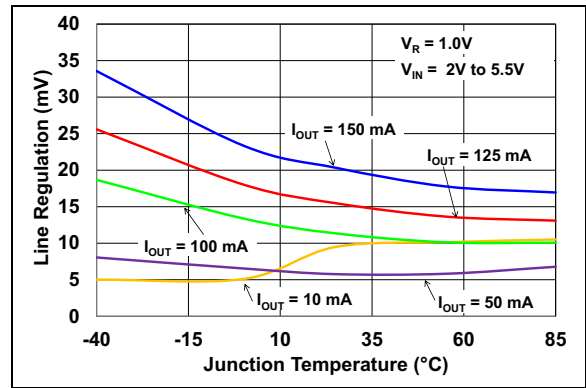
**FIGURE 2-48:** Load Regulation vs. Junction Temperature (MCP1811X,  $V_R = 1.0\text{V}$ ).

# MCP1811A/11B/12A/12B

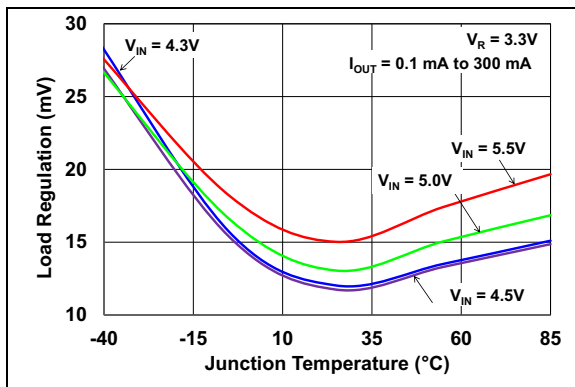
**Note:** Unless otherwise indicated,  $C_{IN} = C_{OUT} = 1 \mu\text{F}$  (MCP1811X) or  $2.2 \mu\text{F}$  (MCP1812X) ceramic type (X7R),  $I_{OUT} = 1 \text{ mA}$ ,  $T_A = +25^\circ\text{C}$ ,  $V_{IN} = V_R + 1\text{V}$ , SHDN =  $1 \text{ M}\Omega$  pull-up to  $V_{IN}$ .



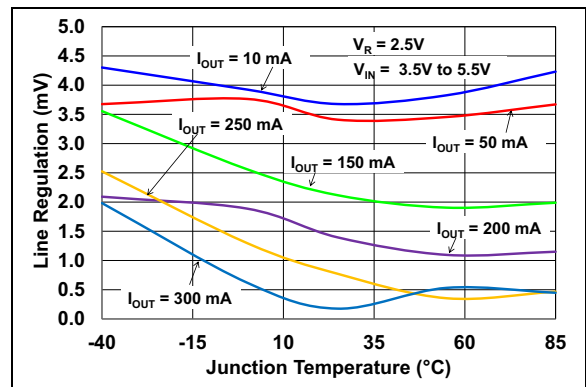
**FIGURE 2-49:** Load Regulation vs. Junction Temperature (MCP1812X,  $V_R = 2.5\text{V}$ ).



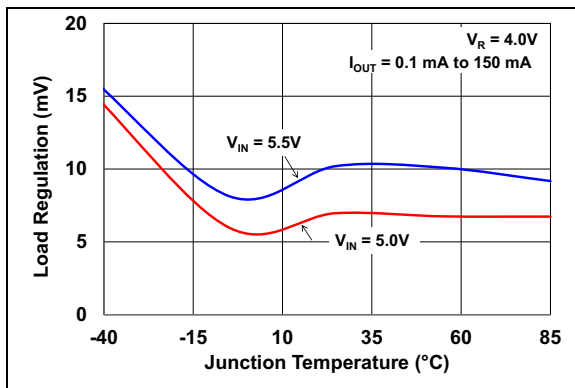
**FIGURE 2-52:** Line Regulation vs. Junction Temperature (MCP1811X,  $V_R = 1.0\text{V}$ ).



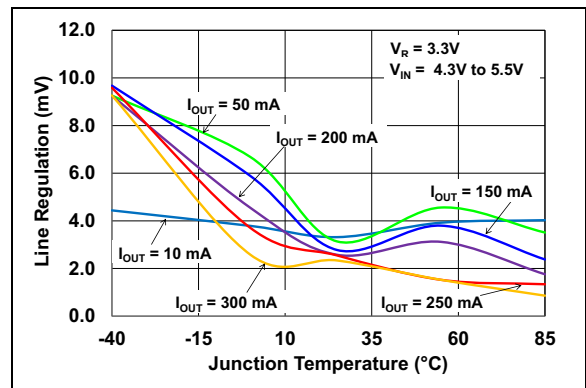
**FIGURE 2-50:** Load Regulation vs. Junction Temperature (MCP1812X,  $V_R = 3.3\text{V}$ ).



**FIGURE 2-53:** Line Regulation vs. Junction Temperature (MCP1812X,  $V_R = 2.5\text{V}$ ).



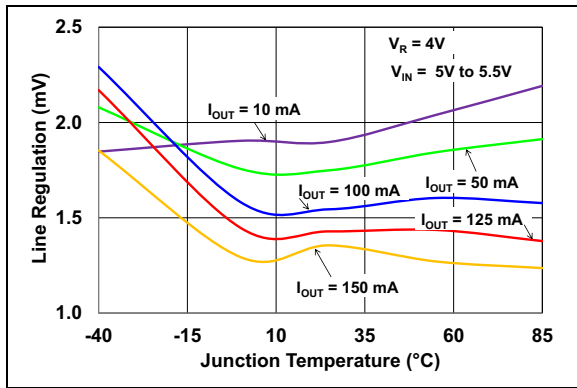
**FIGURE 2-51:** Load Regulation vs. Junction Temperature (MCP1811X,  $V_R = 4.0\text{V}$ ).



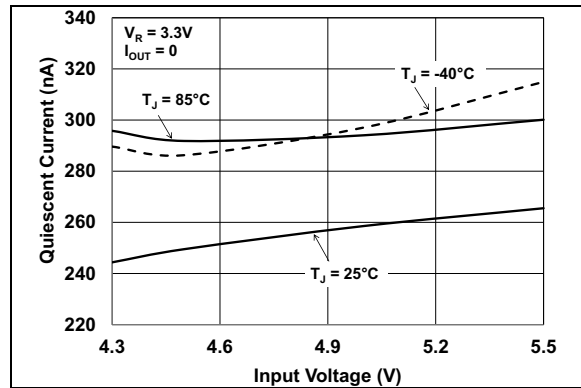
**FIGURE 2-54:** Line Regulation vs. Junction Temperature (MCP1812X,  $V_R = 3.3\text{V}$ ).

# MCP1811A/11B/12A/12B

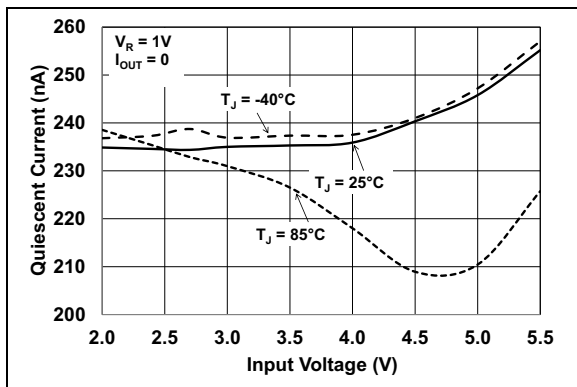
**Note:** Unless otherwise indicated,  $C_{IN} = C_{OUT} = 1 \mu\text{F}$  (MCP1811X) or  $2.2 \mu\text{F}$  (MCP1812X) ceramic type (X7R),  $I_{OUT} = 1 \text{ mA}$ ,  $T_A = +25^\circ\text{C}$ ,  $V_{IN} = V_R + 1\text{V}$ ,  $\text{SHDN} = 1 \text{ M}\Omega$  pull-up to  $V_{IN}$ .



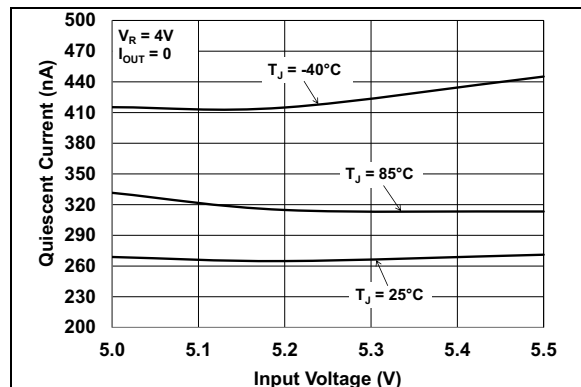
**FIGURE 2-55:** Line Regulation vs. Junction Temperature (MCP1811X,  $V_R = 4.0\text{V}$ ).



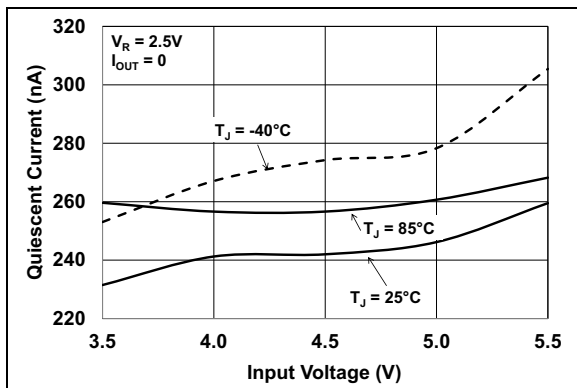
**FIGURE 2-58:** Quiescent Current vs. Input Voltage (MCP1812X,  $V_R = 3.3\text{V}$ ).



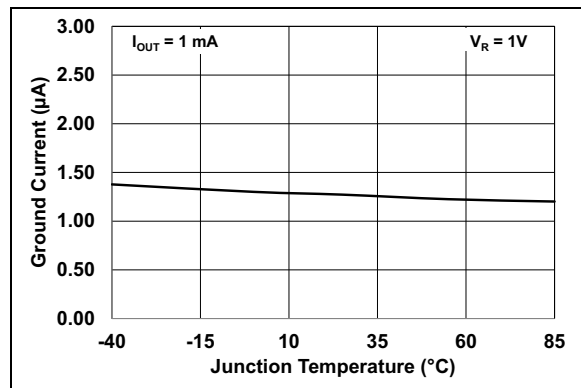
**FIGURE 2-56:** Quiescent Current vs. Input Voltage (MCP1811X,  $V_R = 1.0\text{V}$ ).



**FIGURE 2-59:** Quiescent Current vs. Input Voltage (MCP1811X,  $V_R = 4.0\text{V}$ ).



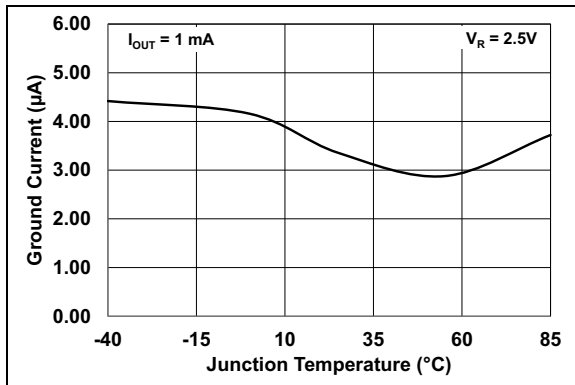
**FIGURE 2-57:** Quiescent Current vs. Input Voltage (MCP1812X,  $V_R = 2.5\text{V}$ ).



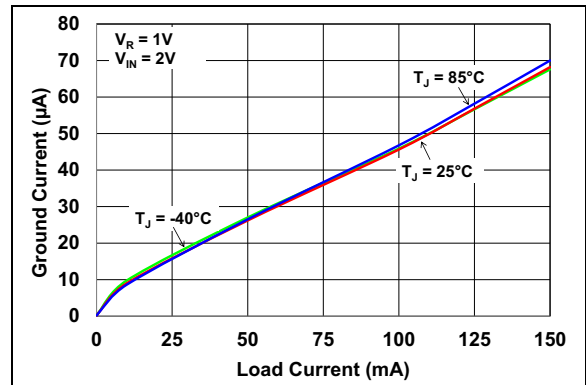
**FIGURE 2-60:** Ground Current vs. Temperature (MCP1811X,  $V_R = 1.0\text{V}$ ).

# MCP1811A/11B/12A/12B

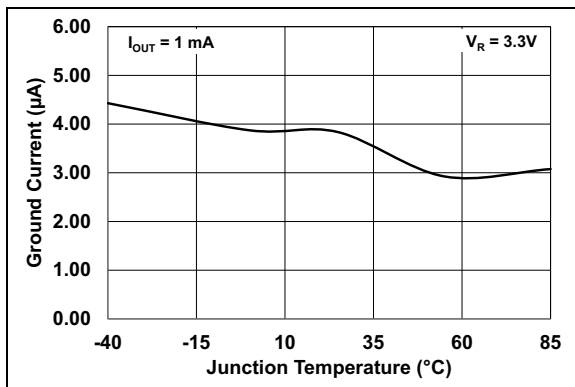
**Note:** Unless otherwise indicated,  $C_{IN} = C_{OUT} = 1 \mu\text{F}$  (MCP1811X) or  $2.2 \mu\text{F}$  (MCP1812X) ceramic type (X7R),  $I_{OUT} = 1 \text{ mA}$ ,  $T_A = +25^\circ\text{C}$ ,  $V_{IN} = V_R + 1\text{V}$ , SHDN = 1 M $\Omega$  pull-up to  $V_{IN}$ .



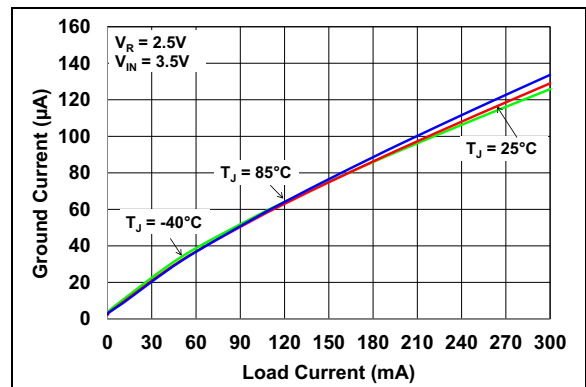
**FIGURE 2-61:** Ground Current vs. Temperature (MCP1812X,  $V_R = 2.5\text{V}$ ).



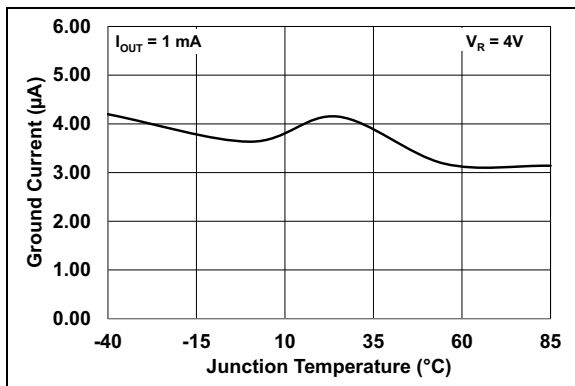
**FIGURE 2-64:** Ground Current vs. Load Current (MCP1811X,  $V_R = 1.0\text{V}$ ).



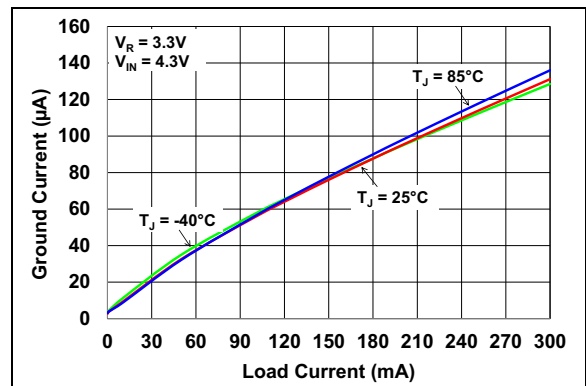
**FIGURE 2-62:** Ground Current vs. Temperature (MCP1812X,  $V_R = 3.3\text{V}$ ).



**FIGURE 2-65:** Ground Current vs. Load Current (MCP1812X,  $V_R = 2.5\text{V}$ ).



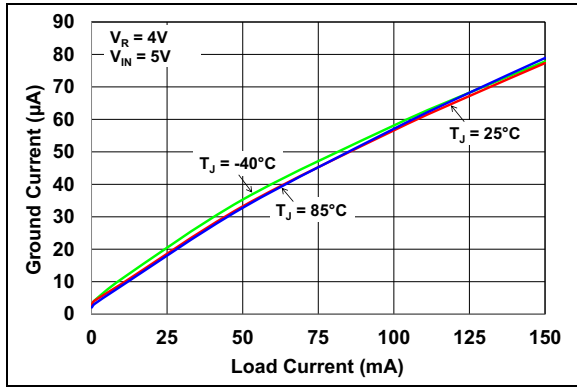
**FIGURE 2-63:** Ground Current vs. Temperature (MCP1811X,  $V_R = 4.0\text{V}$ ).



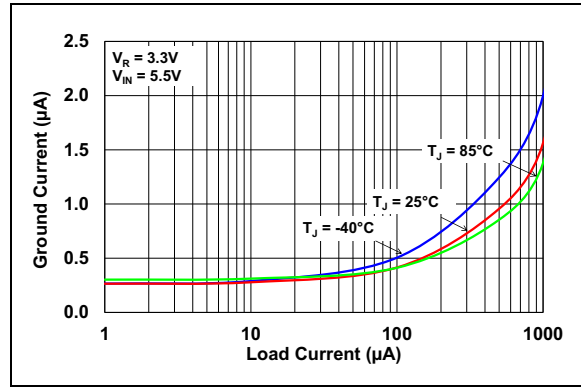
**FIGURE 2-66:** Ground Current vs. Load Current (MCP1812X,  $V_R = 3.3\text{V}$ ).

# MCP1811A/11B/12A/12B

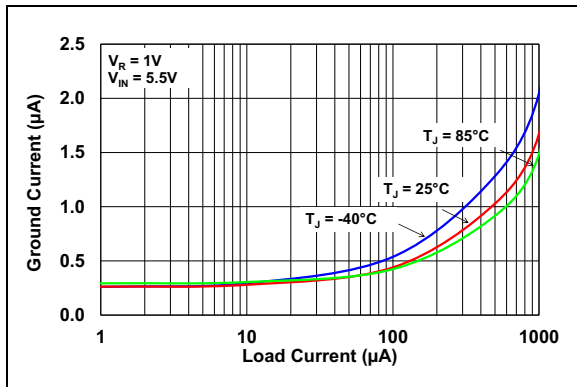
**Note:** Unless otherwise indicated,  $C_{IN} = C_{OUT} = 1 \mu F$  (MCP1811X) or  $2.2 \mu F$  (MCP1812X) ceramic type (X7R),  $I_{OUT} = 1 \text{ mA}$ ,  $T_A = +25^\circ\text{C}$ ,  $V_{IN} = V_R + 1\text{V}$ ,  $\text{SHDN} = 1 \text{ M}\Omega$  pull-up to  $V_{IN}$ .



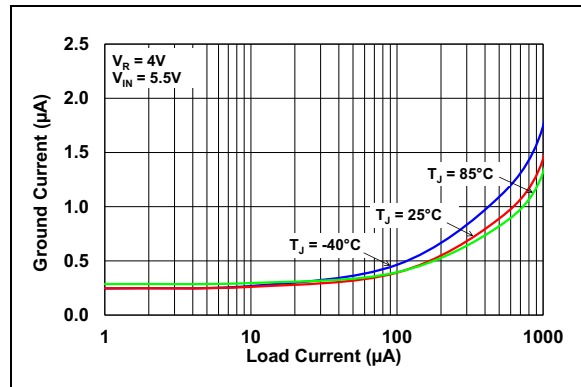
**FIGURE 2-67:** Ground Current vs. Load Current (MCP1811X,  $V_R = 4.0\text{V}$ ).



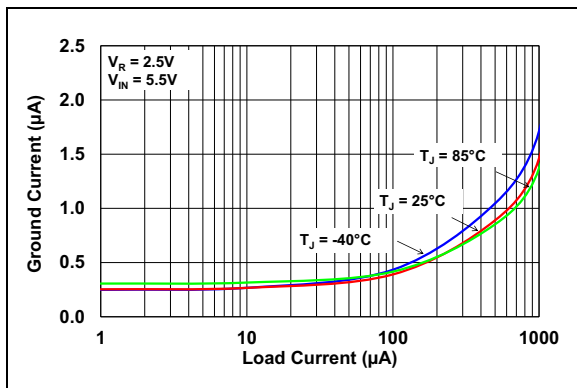
**FIGURE 2-70:** Ground Current vs. Very Low Load Current (MCP1811X,  $V_R = 3.3\text{V}$ ).



**FIGURE 2-68:** Ground Current vs. Very Low Load Current (MCP1812X,  $V_R = 1.0\text{V}$ ).



**FIGURE 2-71:** Ground Current vs. Very Low Load Current (MCP1811X,  $V_R = 4.0\text{V}$ ).



**FIGURE 2-69:** Ground Current vs. Very Low Load Current (MCP1812X,  $V_R = 2.5\text{V}$ ).

# MCP1811A/11B/12A/12B

## 3.0 PIN DESCRIPTION

The descriptions of the pins are listed in [Table 3-1](#).

TABLE 3-1: PIN FUNCTION TABLE

MCP1811X/12X 4-Lead 1x1 mm UDFN	MCP1811X/12X 3-Lead SOT-23/SC70	MCP1811X/12X 5-Lead SOT-23/SC70	Symbol	Description
2	3	2	GND	Ground
1	1	5	V <sub>OUT</sub>	Regulated Output Voltage V <sub>R</sub>
—	—	4	NC	Not Connected Pins (should either be left floated or connected to ground)
4	2	1	V <sub>IN</sub>	Input Voltage Supply
3	—	3	SHDN	Shutdown Control Input (active-low); do not leave this pin floating
5	—	—	EP	Exposed Thermal Pad, connected to GND

### 3.1 Ground Pin (GND)

For optimal noise and Power Supply Rejection Ratio (PSRR) performance, the GND pin of the LDO should be tied to an electrically “quiet” ground circuit. The GND pin of the LDO conducts only the ground current, so a wider trace is not required. For powered applications that have switching or noisy circuits, tie the GND pin to the return of the output capacitor. Ground planes help lower the inductance and voltage spikes caused by fast transient load currents.

### 3.2 Regulated Output Voltage Pin (V<sub>OUT</sub>)

The V<sub>OUT</sub> pin is the regulated output voltage V<sub>R</sub> of the LDO. A minimum output capacitance of 1.0 μF (MCP1811X) and 2.2 μF (MCP1812X) are required for LDO stability. The MCP1811X/12X is stable with ceramic capacitors. See [Section 4.2 “Output Capacitor”](#) for output capacitor selection guidance.

### 3.3 Input Voltage Supply Pin (V<sub>IN</sub>)

Connect the input voltage source to V<sub>IN</sub>. If the input voltage source is located several inches away from the LDO or is a battery, it is recommended that an input capacitor be used. A typical input capacitance value of 1 μF to 10 μF is sufficient for most applications (1 μF is typical for MCP1811X and 2.2 μF is typical for MCP1812X). The type of capacitor used is ceramic. However, the low-ESR characteristics of the ceramic capacitor will yield better noise and PSRR performance at high frequency.

### 3.4 Shutdown Control Input (SHDN)

The SHDN input is used to turn the LDO output voltage on and off. When the SHDN input is at a logic high level, the LDO output voltage is enabled. When the SHDN input is pulled to a logic low level, the LDO output voltage is disabled (with output discharge for MCP1811A/12A). When the SHDN input is pulled low, the LDO enters in a low-current shutdown state, where the typical quiescent current is 10 nA for MCP1811A/12A and 5 nA for MCP1811B/12B.



# MCP1811A/11B/12A/12B

## 4.0 DEVICE OVERVIEW

The MCP1811X/12X family is a 150 mA/300 mA output current, Low Dropout (LDO) voltage regulator. The Low Dropout voltage of 400 mV, typical, at 300 mA of current, makes it recommended for long-life battery-powered applications. The input voltage ranges from a minimum of 1.8V to 5.5V. The MCP1811X/12X family features a shutdown control input pin and is available in nine standard fixed output voltage options: 1V, 1.2V, 1.8V, 2.0V, 2.5V, 2.8V, 3.0V, 3.3V and 4.0V. It uses a proprietary voltage reference and sensing scheme to maintain the ultra-low 250 nA quiescent current.

### 4.1 Output Capabilities and Current Limiting

The MCP1811X/12X LDO is tested and ensured to supply a minimum of 150 mA of output current for MCP1811X and 300 mA of output current for MCP1812X.

The MCP1811X/12X devices do not incorporate an internal voltage divider. This is another design key of achieving ultra-low power consumption. In addition, there is a pull-down switch on the output to limit the overshoot in case of powering an ultra-light load. Due to the increased leakage through the power transistor at elevated temperature ( $> 60^{\circ}\text{C}$ ), the output voltage can be drifted up (to approximately 210 mV) when the input supply to the output differential is larger than 3V. It is recommended to add a very small dummy load (25 nA, typical) to compensate for the leakage. In conditions other than mentioned above, the device does not require a minimum load to regulate the output voltage within the specified tolerance.

The MCP1811X/12X family also incorporates an output current foldback protection during overload conditions. The MCP1811X/12X devices enter foldback when  $V_{\text{OUT}}$  falls below 0.6V (typical).

### 4.2 Output Capacitor

The MCP1811X/12X devices require a minimum output capacitance of 1  $\mu\text{F}$  (2.2  $\mu\text{F}$  for MCP1812X) for output voltage stability. Ceramic capacitors are recommended because of their size, cost and robust environmental qualities.

The output capacitor should be located as close to the LDO output as is practical. Ceramic materials, X7R and X5R, have low-temperature coefficients, and are well within the acceptable ESR range required. A typical 1  $\mu\text{F}$  X7R 0805 capacitor has an ESR of 20 m $\Omega$ .

### 4.3 Input Capacitor

Low input source impedance is necessary for the LDO output to operate properly. When operating from batteries, or in applications with long lead length ( $> 10$  inches) between the input source and the LDO, some input capacitance is recommended. A minimum of 1  $\mu\text{F}$  (2.2  $\mu\text{F}$  for MCP1812X) to 10  $\mu\text{F}$  of capacitance is recommended for most applications.

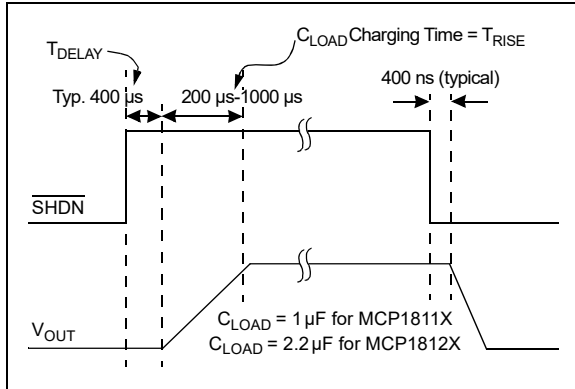
For applications that have output step load requirements, the input capacitance of the LDO is very important. The input capacitance must provide a low-impedance source. This allows the LDO to respond quickly to the output load step. For good step response performance, the input capacitor should be equivalent to, or of higher value than, the output capacitor. The capacitor should be placed as close to the input of the LDO as is practical. Larger input capacitors will also help reduce any high-frequency noise on the input and output of the LDO, as well as the effects of any inductance that exists between the input source voltage and the input capacitance of the LDO.

### 4.4 Shutdown Input ( $\overline{\text{SHDN}}$ )

The  $\overline{\text{SHDN}}$  input is an active-low input signal that turns the LDO on and off. The  $\overline{\text{SHDN}}$  threshold is a percentage of the input voltage. The maximum input low logic level is 20% of  $V_{\text{IN}}$  and the minimum high logic level is 70% of  $V_{\text{IN}}$ .

The  $\overline{\text{SHDN}}$  pin ignores low going pulses that are up to 400 ns. This small bit of filtering helps to reject any system noise spikes on the  $\overline{\text{SHDN}}$  input signal.

On the rising edge of the  $\overline{\text{SHDN}}$  input, the shutdown circuitry has a typical 400  $\mu\text{s}$  delay before allowing the regulator output to turn on. This delay helps to reject any false turn-on signals or noise on the  $\overline{\text{SHDN}}$  input signal. After the typical 400  $\mu\text{s}$  delay, the regulator starts charging the load capacitor as the output rises from 0V to its final regulated value. The charging current will be limited by the short-circuit current value of the device. If the  $\overline{\text{SHDN}}$  input signal is pulled low during the typical 400  $\mu\text{s}$  delay period, the timer will be reset and the delay time will start over again on the next rising edge of the  $\overline{\text{SHDN}}$  input. The total time from the  $\overline{\text{SHDN}}$  input going high (turn-on) to the output being in regulation shall typically be 400  $\mu\text{s}$  delay time plus output voltage rise time, which is  $V_{\text{R}}$ -dependent and may vary from 200  $\mu\text{s}$  up to 1000  $\mu\text{s}$  for a  $C_{\text{LOAD}} = 1.0 \mu\text{F}$  and for a  $C_{\text{LOAD}} = 2.2 \mu\text{F}$ . Figure 4-1 shows a timing diagram of the  $\overline{\text{SHDN}}$  input.



**FIGURE 4-1:** Shutdown Input Timing Diagram.

## 4.5 Dropout Voltage

Dropout voltage is defined as the input-to-output voltage differential at which the output voltage drops 2% below the nominal value that was measured with a  $V_R + 1V$  differential applied. The MCP1811X/12X LDO devices show a Low Dropout voltage specification of 400 mV (typical) for all  $V_R$ , and presents small variations in the dropout value with load and temperature changes.

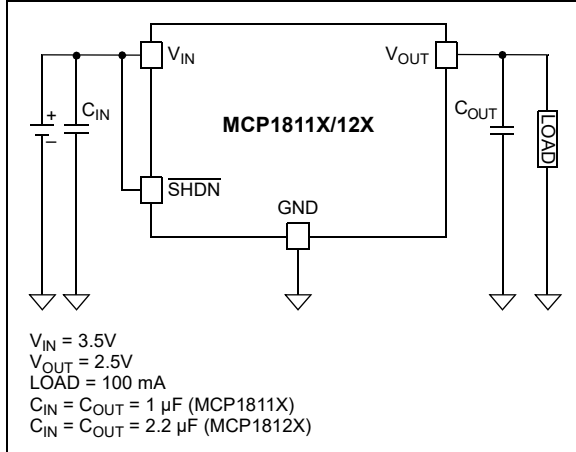
See [Section 1.0 “Electrical Characteristics”](#) for maximum dropout voltage specifications.

# MCP1811A/11B/12A/12B

## 5.0 APPLICATION CIRCUITS

### 5.1 Typical Application

The MCP1811A/11B/12A/12B family is used for applications that require ultra-low quiescent current draw.



**FIGURE 5-1:** Typical Application Circuit.

### 5.2 Power Calculations

#### 5.2.1 POWER DISSIPATION

The internal power dissipation within the MCP1811X/12X devices is a function of input voltage, output voltage, output current and ground current. Equation 5-1 can be used to calculate the internal power dissipation for the LDO.

#### EQUATION 5-1:

$$P_{LDO} = (V_{IN(MAX)} - V_{OUT(MIN)}) \times I_{OUT(MAX)}$$

Where:

$P_{LDO}$  = Internal power dissipation of the LDO active element

$V_{IN(MAX)}$  = Maximum input voltage

$V_{OUT(MIN)}$  = LDO minimum output voltage

$I_{OUT(MAX)}$  = Maximum output current

In addition to the LDO pass element power dissipation, there is power dissipation within the MCP1811X/12X devices as a result of quiescent or ground current. The power dissipation, as a result of the ground current, can be calculated by applying Equation 5-2.

#### EQUATION 5-2:

$$P_{(IGND)} = V_{IN(MAX)} \times I_{GND}$$

Where:

$P_{(IGND)}$  = Power dissipation due to the ground current of the LDO

$V_{IN(MAX)}$  = Maximum input voltage

$I_{GND}$  = Current flowing out of the GND pin

The total power dissipated within the MCP1811X/12X devices is the sum of the power dissipated in the LDO pass device and the  $P_{(IGND)}$  term. Because of the CMOS construction, the typical  $I_{GND}$  for the MCP1811X/12X devices is 90  $\mu$ A for MCP1811X and 180  $\mu$ A for MCP1812X at full load. Operating at a maximum  $V_{IN}$  of 5.5V results in a power dissipation of 0.5 mW for MCP1811X and 1 mW for MCP1812X. For most applications, this is small compared to the LDO pass device power dissipation and can be neglected.

The maximum continuous operating junction temperature specified for the MCP1811X/12X family is +85°C. To estimate the internal junction temperature of the MCP1811X/12X devices, the total internal power dissipation is multiplied by the thermal resistance from junction-to-ambient ( $\theta_{JA}$ ) of the device. For example, the thermal resistance from junction-to-ambient for the 5-Lead SOT-23 package is estimated at 184.82°C/W.

#### EQUATION 5-3:

$$T_{J(MAX)} = P_{LDO} \times \theta_{JA} + T_{A(MAX)}$$

Where:

$T_{J(MAX)}$  = Maximum continuous junction temperature

$P_{LDO}$  = Total power dissipation of the device

$\theta_{JA}$  = Thermal resistance from junction to ambient (see “[Temperature Specifications](#)”)

$T_{A(MAX)}$  = Maximum ambient temperature

The maximum power dissipation capability for a package can be calculated given the junction-to-ambient thermal resistance and the maximum ambient temperature for the application. Equation 5-4 can be used to determine the package maximum internal power dissipation.

#### EQUATION 5-4:

$$P_{D(MAX)} = \frac{(T_{J(MAX)} - T_{A(MAX)})}{\theta_{JA}}$$

Where:

$P_{D(MAX)}$  = Maximum power dissipation of the device

## EQUATION 5-5:

$$T_{J(RISE)} = P_{D(MAX)} \times \theta_{JA}$$

Where:

$T_{J(RISE)}$  = Rise in the device junction temperature over the ambient temperature

## EQUATION 5-6:

$$T_J = T_{J(RISE)} + T_A$$

Where:

$T_J$  = Junction temperature

$T_A$  = Ambient temperature

## 5.3 Typical Application Examples

Internal power dissipation, junction temperature rise, junction temperature and maximum power dissipation are calculated in the following example. The power dissipation, as a result of ground current, is small enough to be neglected.

### 5.3.1 POWER DISSIPATION EXAMPLE

#### EXAMPLE 5-1:

##### Package

Package Type = 5-Lead SOT-23

##### Input Voltage

$$V_{IN} = 3.5V \pm 5\%$$

##### LDO Output Voltage and Current

$$V_{OUT} = 2.5V$$

$$I_{OUT} = 100 \text{ mA}$$

##### Maximum Ambient Temperature

$$T_{A(MAX)} = +60^\circ\text{C}$$

##### Internal Power Dissipation

$$P_{LDO(MAX)} = (V_{IN(MAX)} - V_{OUT(MIN)}) \times I_{OUT(MAX)}$$

$$P_{LDO} = ((3.5V \times 1.05) - (2.5V \times 0.96)) \times 100 \text{ mA}$$

$$P_{LDO} = 0.127W$$

### 5.3.1.1 Device Junction Temperature Rise

The internal junction temperature rise is a function of internal power dissipation and of the thermal resistance, from junction-to-ambient, for the application. The thermal resistance, from junction-to-ambient ( $\theta_{JA}$ ), is derived from EIA/JEDEC standards for measuring thermal resistance. The EIA/JEDEC specification is JESD51. The standard describes the test method and board specifications for measuring the thermal resistance from junction-to-ambient. The actual thermal resistance for a particular application can vary depending on many factors, such as copper area and thickness. Refer to Application Note AN792, "A Method to Determine How Much Power a SOT-23 Can Dissipate in an Application" (DS00792) for more information regarding this subject.

#### EXAMPLE 5-2:

$$T_{J(RISE)} = P_{TOTAL} \times \theta_{JA}$$

$$T_{J(RISE)} = 0.127W \times 184.82^\circ\text{C/W}$$

$$T_{J(RISE)} = 23.47^\circ\text{C}$$

### 5.3.1.2 Junction Temperature Estimate

To estimate the internal junction temperature, the calculated temperature rise is added to the ambient or offset temperature. For this example, the worst-case junction temperature is estimated below:

#### EXAMPLE 5-3:

$$T_J = T_{J(RISE)} + T_{A(MAX)}$$

$$T_J = 23.47^\circ\text{C} + 60.0^\circ\text{C}$$

$$T_J = 83.47^\circ\text{C}$$

### 5.3.1.3 Maximum Package Power Dissipation at +60°C Ambient Temperature

#### EXAMPLE 5-4:

**5-Lead SOT-23 ( $\theta_{JA} = 184.82^\circ\text{C/W}$ ):**

$$P_{D(MAX)} = (85^\circ\text{C} - 60^\circ\text{C})/184.82^\circ\text{C/W}$$

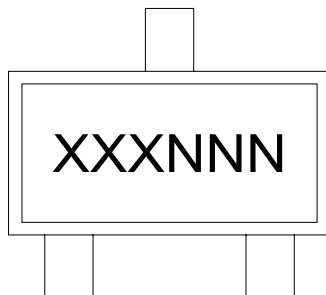
$$P_{D(MAX)} = 0.135W$$

# MCP1811A/11B/12A/12B

## 6.0 PACKAGING INFORMATION

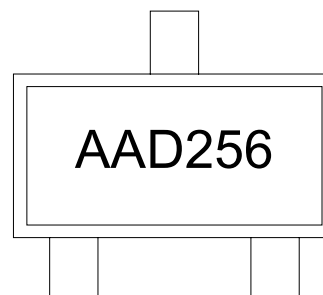
### 6.1 Package Marking Information

3-Lead SOT-23



Part Number	Code
MCP1811AT-010/TT	AADNNN
MCP1811AT-012/TT	AAHNNN
MCP1811AT-018/TT	AAMNNN
MCP1811AT-020/TT	AASNNN
MCP1811AT-025/TT	AA8NNN
MCP1811AT-028/TT	ABVNNN
MCP1811AT-030/TT	ABANNN
MCP1811AT-033/TT	ABENNN
MCP1811AT-040/TT	ABONNN
MCP1811BT-010/TT	AAENNN
MCP1811BT-012/TT	AAJNNN
MCP1811BT-018/TT	AAPNNN
MCP1811BT-020/TT	AATNNN
MCP1811BT-025/TT	AAXNNN
MCP1811BT-028/TT	AB8NNN
MCP1811BT-030/TT	ABBNNN
MCP1811BT-033/TT	ABFNNN
MCP1811BT-040/TT	ABPNNN
MCP1812AT-010/TT	AAFNNN
MCP1812AT-012/TT	AAKNNN
MCP1812AT-018/TT	AAQNNN
MCP1812AT-020/TT	AAUNNN
MCP1812AT-025/TT	AAYNNN
MCP1812AT-028/TT	ABTNNN
MCP1812AT-030/TT	ABCNNN
MCP1812AT-033/TT	ABGNNN
MCP1812AT-040/TT	ABRNNN
MCP1812BT-010/TT	AAGNNN
MCP1812BT-012/TT	AALNNN
MCP1812BT-018/TT	AARNNN
MCP1812BT-020/TT	AAVNNN
MCP1812BT-025/TT	AAZNNN
MCP1812BT-028/TT	ABUNNN
MCP1812BT-030/TT	ABDNNN
MCP1812BT-033/TT	ABHNNN
MCP1812BT-040/TT	ABSNNN

Example

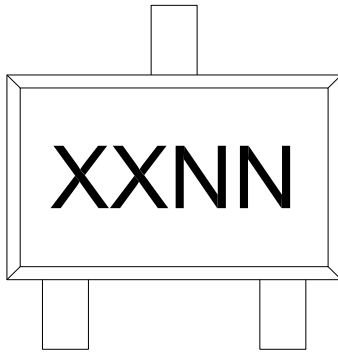


**Legend:** XX...X Customer-specific information  
 Y Year code (last digit of calendar year)  
 YY Year code (last 2 digits of calendar year)  
 WW Week code (week of January 1 is week '01')  
 NNN Alphanumeric traceability code  
 (e3) Pb-free JEDEC® designator for Matte Tin (Sn)  
 \* (e3) This package is Pb-free. The Pb-free JEDEC designator ((e3)) can be found on the outer packaging for this package.  
 •, ▲, ▼ Pin one index is identified by a dot, delta up, or delta down (triangle mark).

**Note:** In the event the full Microchip part number cannot be marked on one line, it will be carried over to the next line, thus limiting the number of available characters for customer-specific information.

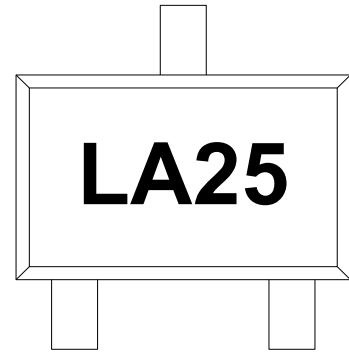
# MCP1811A/11B/12A/12B

3-Lead SC70

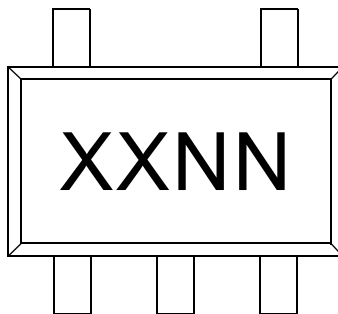


Part Number	Code
<b>3-Lead SC70</b>	
MCP1811AT-010/LB	LANN
MCP1811AT-012/LB	LENN
MCP1811AT-018/LB	LINN
MCP1811AT-020/LB	LMNN
MCP1811AT-025/LB	LQNN
MCP1811AT-028/LB	MMNN
MCP1811AT-030/LB	LUNN
MCP1811AT-033/LB	LYNN
MCP1811AT-040/LB	MGNN
MCP1811BT-010/LB	LBNN
MCP1811BT-012/LB	LFNN
MCP1811BT-018/LB	LJNN
MCP1811BT-020/LB	LNNN
MCP1811BT-025/LB	LRNN
MCP1811BT-028/LB	MNNN
MCP1811BT-030/LB	LVNN
MCP1811BT-033/LB	LZNN
MCP1811BT-040/LB	MHNN
MCP1812AT-010/LB	LCNN
MCP1812AT-012/LB	LGNN
MCP1812AT-018/LB	LKNN
MCP1812AT-020/LB	LONN
MCP1812AT-025/LB	LSNN
MCP1812AT-028/LB	MKNN
MCP1812AT-030/LB	LWNN
MCP1812AT-033/LB	MANN
MCP1812AT-040/LB	MINN
MCP1812BT-010/LB	LDNN
MCP1812BT-012/LB	LHNN
MCP1812BT-018/LB	LLNN
MCP1812BT-020/LB	LPNN
MCP1812BT-025/LB	LTNN
MCP1812BT-028/LB	MLNN
MCP1812BT-030/LB	LXNN
MCP1812BT-033/LB	MBNN
MCP1812BT-040/LB	MJNN
<b>5-Lead SC70</b>	
MCP1811AT-010/LT	DXNN
MCP1811AT-012/LT	EBNN
MCP1811AT-018/LT	EGNN
MCP1811AT-020/LT	EKNN
MCP1811AT-025/LT	EPNN
MCP1811AT-028/LT	FNNN
MCP1811AT-030/LT	ETNN
MCP1811AT-033/LT	EXNN
MCP1811AT-040/LT	FHNN
MCP1811BT-010/LT	DYNN
MCP1811BT-012/LT	ECNN
MCP1811BT-018/LT	EHNN

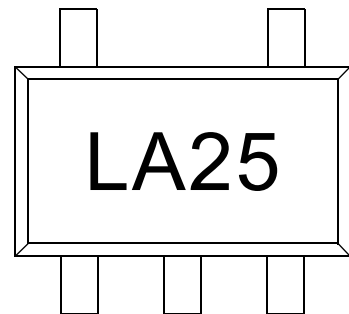
Example



5-Lead SC70



Example



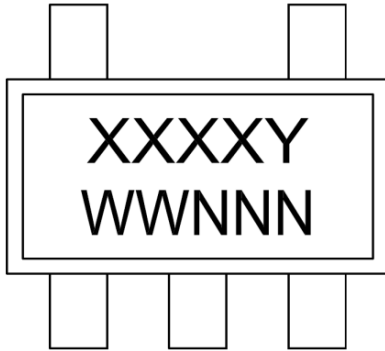
# MCP1811A/11B/12A/12B

---

Part Number	Code
<b>5-Lead SC70 (Continued)</b>	
MCP1811BT-020/LT	EMNN
MCP1811BT-025/LT	EQNN
MCP1811BT-028/LT	FONN
MCP1811BT-030/LT	EUNN
MCP1811BT-033/LT	EYNN
MCP1811AT-040/LT	FHNN
MCP1811BT-010/LT	DYNN
MCP1811BT-012/LT	ECNN
MCP1811BT-018/LT	EHNN
MCP1811BT-020/LT	EMNN
MCP1811BT-025/LT	EQNN
MCP1811BT-028/LT	FONN
MCP1811BT-030/LT	EUNN
MCP1811BT-033/LT	EYNN
MCP1811BT-040/LT	FINN
MCP1812AT-010/LT	DZNN
MCP1812AT-012/LT	EDNN
MCP1812AT-018/LT	EINN
MCP1812AT-020/LT	ENNN
MCP1812AT-025/LT	ERNN
MCP1812AT-028/LT	FLNN
MCP1812AT-030/LT	EVNN
MCP1812AT-033/LT	EZNN
MCP1812AT-040/LT	FJNN
MCP1812BT-010/LT	EANN
MCP1812BT-012/LT	EFNN
MCP1812BT-018/LT	EJNN
MCP1812BT-020/LT	EONN
MCP1812BT-025/LT	ESNN
MCP1812BT-028/LT	FMNN
MCP1812BT-030/LT	EWNN
MCP1812BT-033/LT	FANN
MCP1812BT-040/LT	FKNN

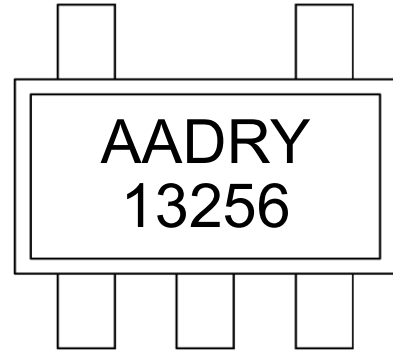
# MCP1811A/11B/12A/12B

5-Lead SOT-23



Part Number	Code
MCP1811AT-010/OT	AADRY
MCP1811AT-012/OT	AADVY
MCP1811AT-018/OT	AADZY
MCP1811AT-020/OT	AAEDY
MCP1811AT-025/OT	AAEHY
MCP1811AT-028/OT	QZAAY
MCP1811AT-030/OT	AAEMY
MCP1811AT-033/OT	ABERY
MCP1811AT-040/OT	QSAAY
MCP1811BT-010/OT	AADSY
MCP1811BT-012/OT	AADWY
MCP1811BT-018/OT	AAEAY
MCP1811BT-020/OT	AAEY
MCP1811BT-025/OT	AAEJY
MCP1811BT-028/OT	RAAAY
MCP1811BT-030/OT	ABENY
MCP1811BT-033/OT	ABESY
MCP1811BT-040/OT	QTAAY
MCP1812AT-010/OT	AADTY
MCP1812AT-012/OT	AADXY
MCP1812AT-018/OT	AAEBY
MCP1812AT-020/OT	AAEFY
MCP1812AT-025/OT	AAEKY
MCP1812AT-028/OT	QXAAY
MCP1812AT-030/OT	ABEPY
MCP1812AT-033/OT	ABETY
MCP1812AT-040/OT	QVAAY
MCP1812BT-010/OT	AADUY
MCP1812BT-012/OT	AADYY
MCP1812BT-018/OT	AAECY
MCP1812BT-020/OT	AAEGY
MCP1812BT-025/OT	AAELY
MCP1812BT-028/OT	QYAAY
MCP1812BT-030/OT	ABEQY
MCP1812BT-033/OT	ABEUY
MCP1812BT-040/OT	QWAAY

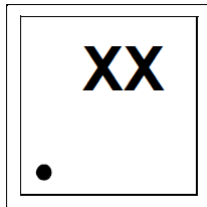
Example





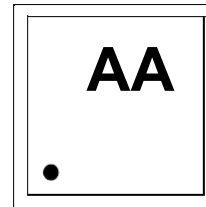
# MCP1811A/11B/12A/12B

4-Lead 1x1 mm UDFN



Part Number	Code
MCP1811AT-010/HCA	AA
MCP1811AT-012/HCA	AE
MCP1811AT-018/HCA	AJ
MCP1811AT-020/HCA	AN
MCP1811AT-025/HCA	AS
MCP1811AT-028/HCA	BN
MCP1811AT-030/HCA	AW
MCP1811AT-033/HCA	BA
MCP1811AT-040/HCA	▲H2
MCP1811BT-010/HCA	AB
MCP1811BT-012/HCA	AF
MCP1811BT-018/HCA	AK
MCP1811BT-020/HCA	AP
MCP1811BT-025/HCA	AT
MCP1811BT-028/HCA	BP
MCP1811BT-030/HCA	AX
MCP1811BT-033/HCA	BB
MCP1811BT-040/HCA	▲H3
MCP1812AT-010/HCA	AC
MCP1812AT-012/HCA	AG
MCP1812AT-018/HCA	AL
MCP1812AT-020/HCA	AQ
MCP1812AT-025/HCA	AU
MCP1812AT-028/HCA	BK
MCP1812AT-030/HCA	AY
MCP1812AT-033/HCA	BC
MCP1812AT-040/HCA	▲H4
MCP1812BT-010/HCA	AD
MCP1812BT-012/HCA	AH
MCP1812BT-018/HCA	AM
MCP1812BT-020/HCA	AR
MCP1812BT-025/HCA	AV
MCP1812BT-028/HCA	BL
MCP1812BT-030/HCA	AZ
MCP1812BT-033/HCA	BD
MCP1812BT-040/HCA	▲H5

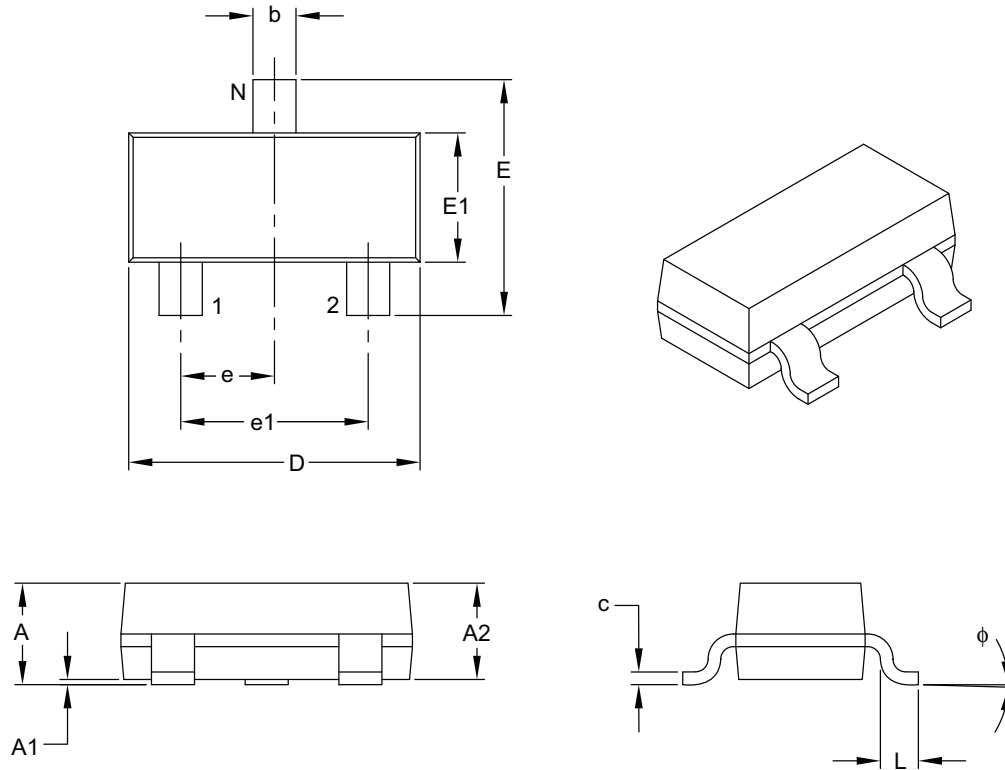
Example



# MCP1811A/11B/12A/12B

## 3-Lead Plastic Small Outline Transistor (TT) [SOT-23]

**Note:** For the most current package drawings, please see the Microchip Packaging Specification located at <http://www.microchip.com/packaging>



Dimension Limits	Units	MILLIMETERS		
		MIN	NOM	MAX
Number of Pins	N	3		
Lead Pitch	e	0.95 BSC		
Outside Lead Pitch	e1	1.90 BSC		
Overall Height	A	0.89	–	1.12
Molded Package Thickness	A2	0.79	0.95	1.02
Standoff	A1	0.01	–	0.10
Overall Width	E	2.10	–	2.64
Molded Package Width	E1	1.16	1.30	1.40
Overall Length	D	2.67	2.90	3.05
Foot Length	L	0.13	0.50	0.60
Foot Angle	$\phi$	0°	–	10°
Lead Thickness	c	0.08	–	0.20
Lead Width	b	0.30	–	0.54

**Notes:**

- Dimensions D and E1 do not include mold flash or protrusions. Mold flash or protrusions shall not exceed 0.25 mm per side.
- Dimensioning and tolerancing per ASME Y14.5M.

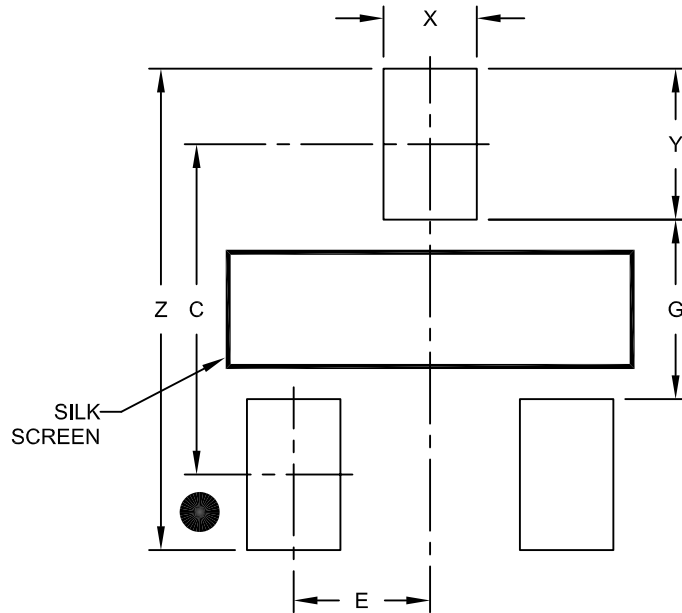
BSC: Basic Dimension. Theoretically exact value shown without tolerances.

Microchip Technology Drawing C04-104B

# MCP1811A/11B/12A/12B

## 3-Lead Plastic Small Outline Transistor (TT) [SOT-23]

**Note:** For the most current package drawings, please see the Microchip Packaging Specification located at <http://www.microchip.com/packaging>



RECOMMENDED LAND PATTERN

Dimension Limits	Units	MILLIMETERS		
		MIN	NOM	MAX
Contact Pitch	E	0.95 BSC		
Contact Pad Spacing	C		2.30	
Contact Pad Width (X3)	X			0.65
Contact Pad Length (X3)	Y			1.05
Distance Between Pads	G	1.25		
Overall Width	Z			3.35

**Notes:**

1. Dimensioning and tolerancing per ASME Y14.5M

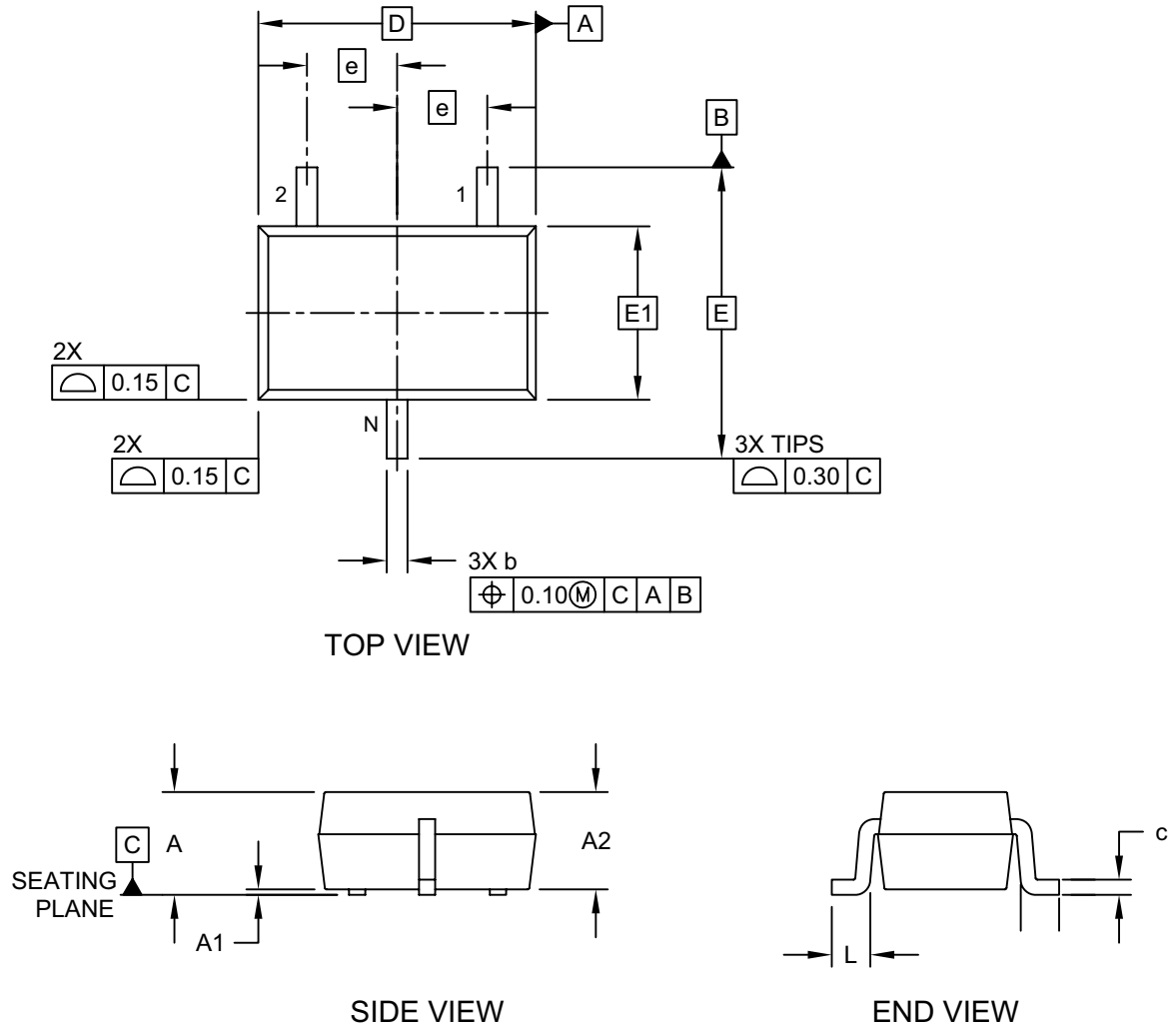
BSC: Basic Dimension. Theoretically exact value shown without tolerances.

Microchip Technology Drawing No. C04-2104A

# MCP1811A/11B/12A/12B

## 3-Lead Plastic Small Outline Transistor (LB) [SC70]

**Note:** For the most current package drawings, please see the Microchip Packaging Specification located at <http://www.microchip.com/packaging>

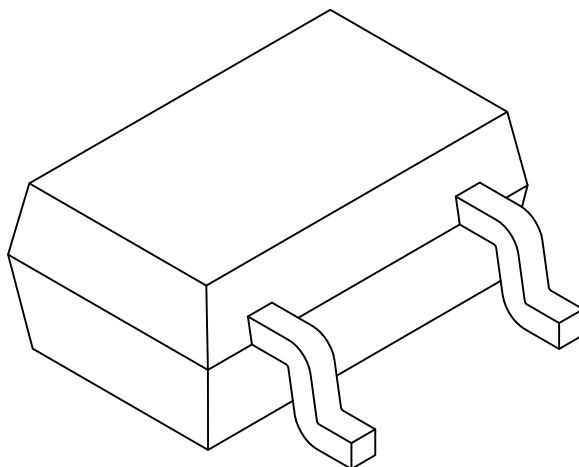


Microchip Technology Drawing C04-060C Sheet 1 of 2

# MCP1811A/11B/12A/12B

## 3-Lead Plastic Small Outline Transistor (LB) [SC70]

**Note:** For the most current package drawings, please see the Microchip Packaging Specification located at <http://www.microchip.com/packaging>



Dimension Limits		Units	MILLIMETERS		
			MIN	NOM	MAX
Number of Pins	N		3		
Pitch	e		0.65 BSC		
Overall Height	A	0.80	-	1.10	
Standoff	A1	0.00	-	0.10	
Molded Package Thickness	A2	0.80	-	1.00	
Overall Length	D		2.00 BSC		
Exposed Pad Length	D2	2.50	2.60	2.70	
Overall Width	E		2.10 BSC		
Exposed Pad Width	E1		1.25 BSC		
Terminal Width	b	0.15	-	0.40	
Terminal Length	L	0.10	0.20	0.46	
Lead Thickness	c	0.20	-	0.26	

Notes:

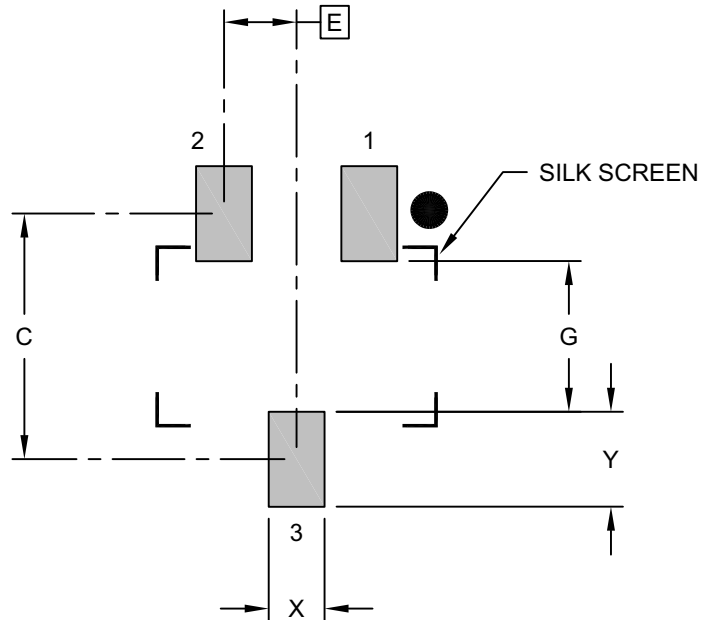
1. Dimensions D and E1 do not include mold flash or protrusions. Mold flash or protrusions shall not exceed 0.15mm per side.
2. Dimensioning and tolerancing per ASME Y14.5M  
BSC: Basic Dimension. Theoretically exact value shown without tolerances.  
REF: Reference Dimension, usually without tolerance, for information purposes only.

Microchip Technology Drawing C04-060C Sheet 2 of 2

# MCP1811A/11B/12A/12B

## 3-Lead Plastic Small Outline Transistor (LB) [SC70]

**Note:** For the most current package drawings, please see the Microchip Packaging Specification located at <http://www.microchip.com/packaging>



RECOMMENDED LAND PATTERN

Dimension Limits	Units	MILLIMETERS		
		MIN	NOM	MAX
Contact Pitch	E	0.65 BSC		
Contact Pad Spacing	C		2.20	
Contact Pad Width	X			0.50
Contact Pad Length	Y			0.85
Distance Between Pads	G	1.25		

Notes:

1. Dimensioning and tolerancing per ASME Y14.5M

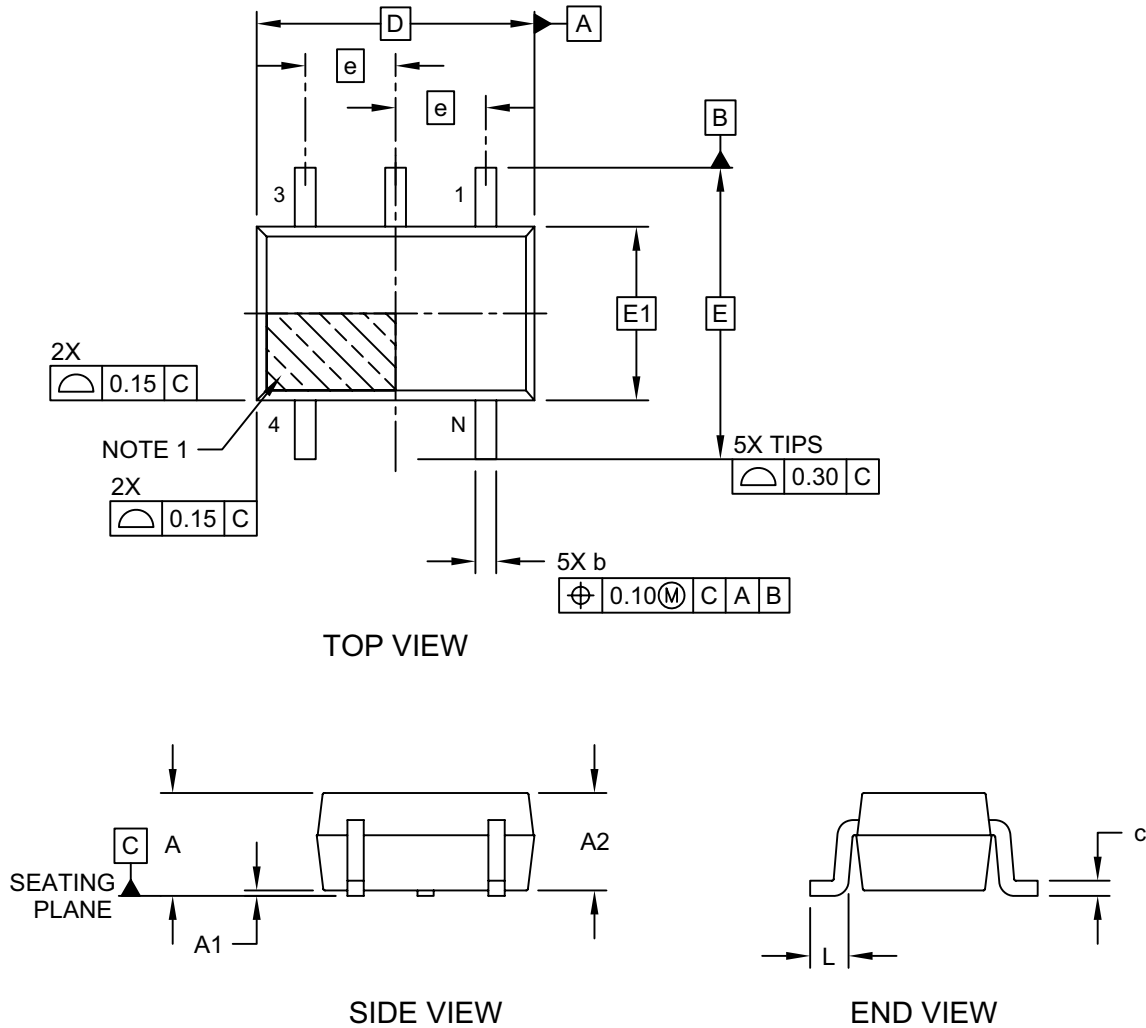
BSC: Basic Dimension. Theoretically exact value shown without tolerances.

Microchip Technology Drawing No. C04-2060B

# MCP1811A/11B/12A/12B

## 5-Lead Plastic Small Outline Transistor (LT) [SC70]

**Note:** For the most current package drawings, please see the Microchip Packaging Specification located at <http://www.microchip.com/packaging>

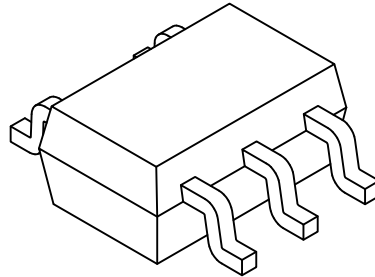


Microchip Technology Drawing C04-061D Sheet 1 of 2

# MCP1811A/11B/12A/12B

## 5-Lead Plastic Small Outline Transistor (LT) [SC70]

**Note:** For the most current package drawings, please see the Microchip Packaging Specification located at <http://www.microchip.com/packaging>



Dimension Limits	Units	MILLIMETERS		
		MIN	NOM	MAX
Number of Pins	N	5		
Pitch	e	0.65 BSC		
Overall Height	A	0.80	-	1.10
Standoff	A1	0.00	-	0.10
Molded Package Thickness	A2	0.80	-	1.00
Overall Length	D	2.00 BSC		
Exposed Pad Length	D2	2.50	2.60	2.70
Overall Width	E	2.10 BSC		
Exposed Pad Width	E1	1.25 BSC		
Terminal Width	b	0.15	-	0.40
Terminal Length	L	0.10	0.20	0.46
Lead Thickness	c	0.08	-	0.26

**Notes:**

1. Pin 1 visual index feature may vary, but must be located within the hatched area.
2. Dimensions D and E1 do not include mold flash or protrusions. Mold flash or protrusions shall not exceed 0.15mm per side.
3. Dimensioning and tolerancing per ASME Y14.5M

BSC: Basic Dimension. Theoretically exact value shown without tolerances.

REF: Reference Dimension, usually without tolerance, for information purposes only.

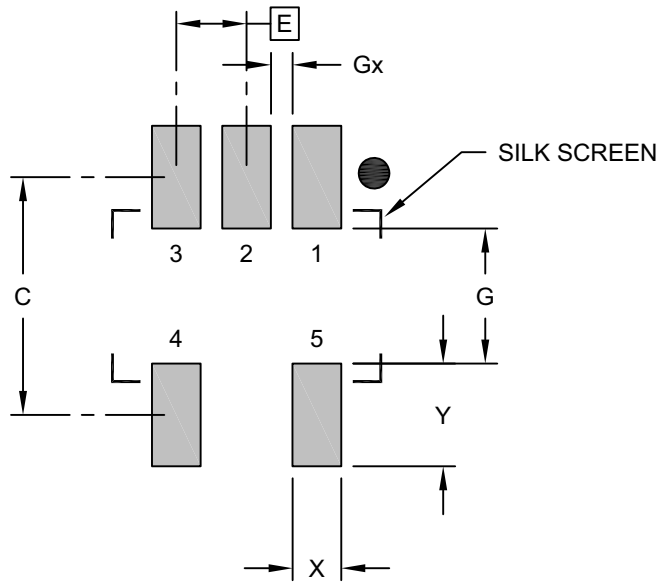
Microchip Technology Drawing C04-061D Sheet 2 of 2



# MCP1811A/11B/12A/12B

## 5-Lead Plastic Small Outline Transistor (LT) [SC70]

**Note:** For the most current package drawings, please see the Microchip Packaging Specification located at <http://www.microchip.com/packaging>



### RECOMMENDED LAND PATTERN

Dimension Limits	Units	MILLIMETERS		
		MIN	NOM	MAX
Contact Pitch	E	0.65 BSC		
Contact Pad Spacing	C		2.20	
Contact Pad Width	X			0.45
Contact Pad Length	Y			0.95
Distance Between Pads	G	1.25		
Distance Between Pads	Gx	0.20		

**Notes:**

1. Dimensioning and tolerancing per ASME Y14.5M

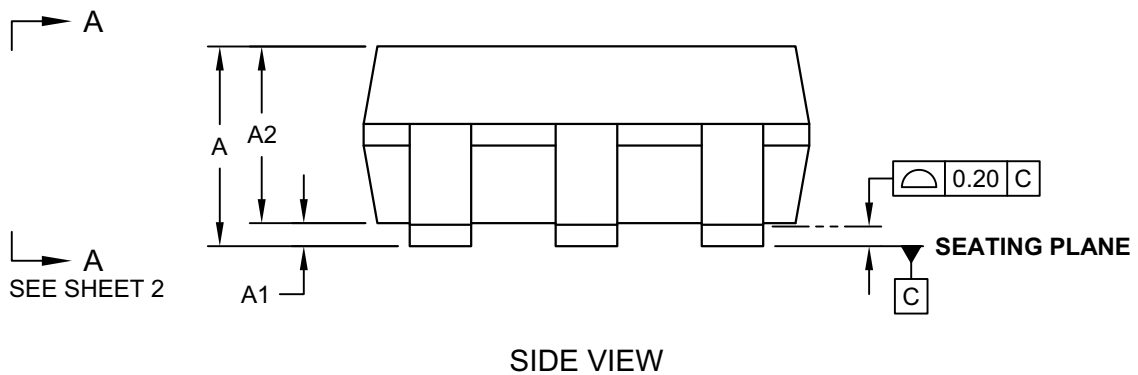
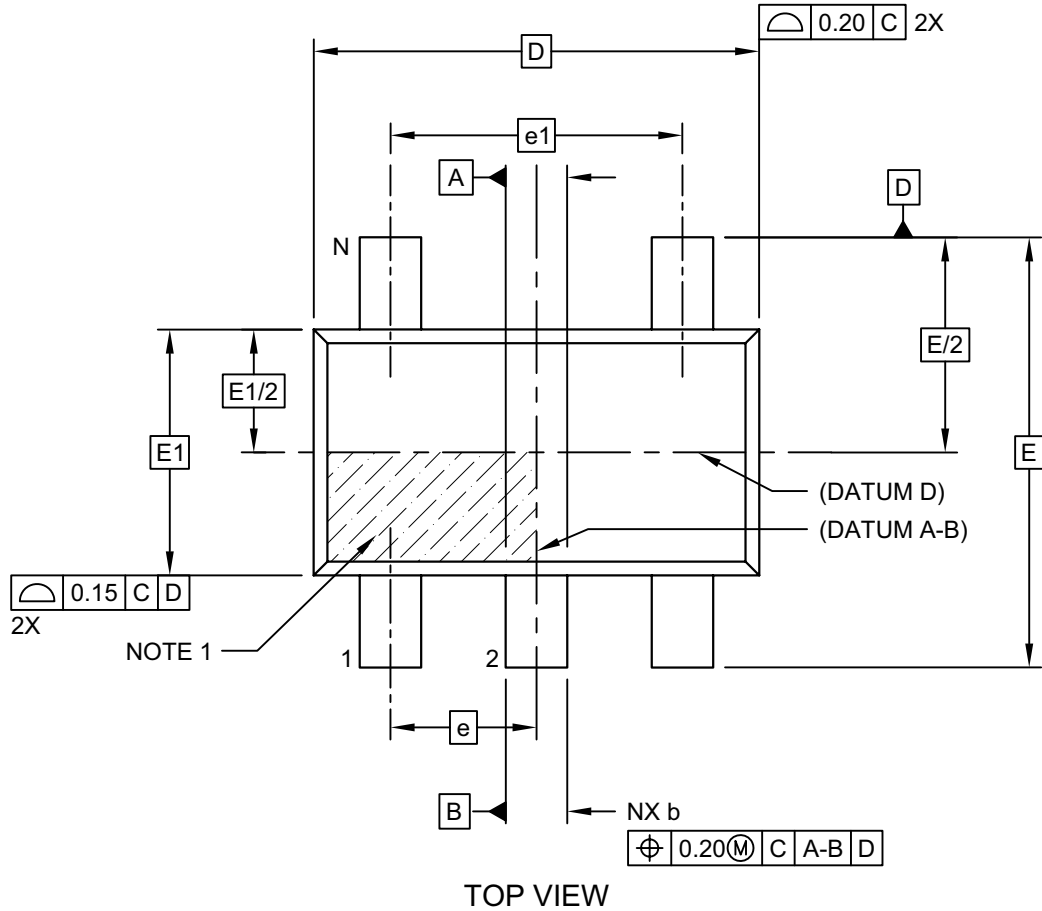
BSC: Basic Dimension. Theoretically exact value shown without tolerances.

Microchip Technology Drawing No. C04-2061B

# MCP1811A/11B/12A/12B

## 5-Lead Plastic Small Outline Transistor (OT) [SOT23]

**Note:** For the most current package drawings, please see the Microchip Packaging Specification located at <http://www.microchip.com/packaging>

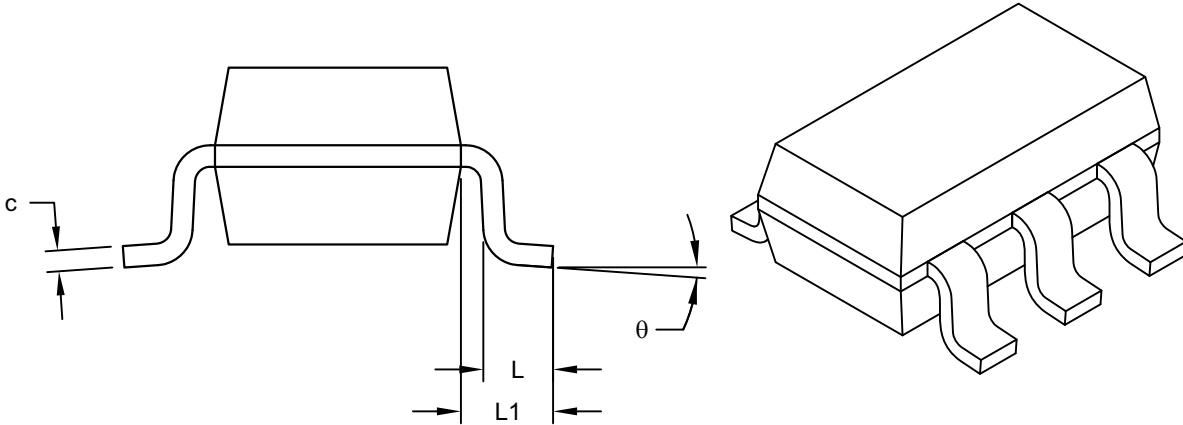


Microchip Technology Drawing C04-091-OT Rev E Sheet 1 of 2

# MCP1811A/11B/12A/12B

## 5-Lead Plastic Small Outline Transistor (OT) [SOT23]

**Note:** For the most current package drawings, please see the Microchip Packaging Specification located at <http://www.microchip.com/packageing>



VIEW A-A  
SHEET 1

Dimension Limits	Units	MILLIMETERS		
		MIN	NOM	MAX
Number of Pins	N	5		
Pitch	e	0.95 BSC		
Outside lead pitch	e1	1.90 BSC		
Overall Height	A	0.90	-	1.45
Molded Package Thickness	A2	0.89	-	1.30
Standoff	A1	-	-	0.15
Overall Width	E	2.80 BSC		
Molded Package Width	E1	1.60 BSC		
Overall Length	D	2.90 BSC		
Foot Length	L	0.30	-	0.60
Footprint	L1	0.60 REF		
Foot Angle	φ	0°	-	10°
Lead Thickness	c	0.08	-	0.26
Lead Width	b	0.20	-	0.51

**Notes:**

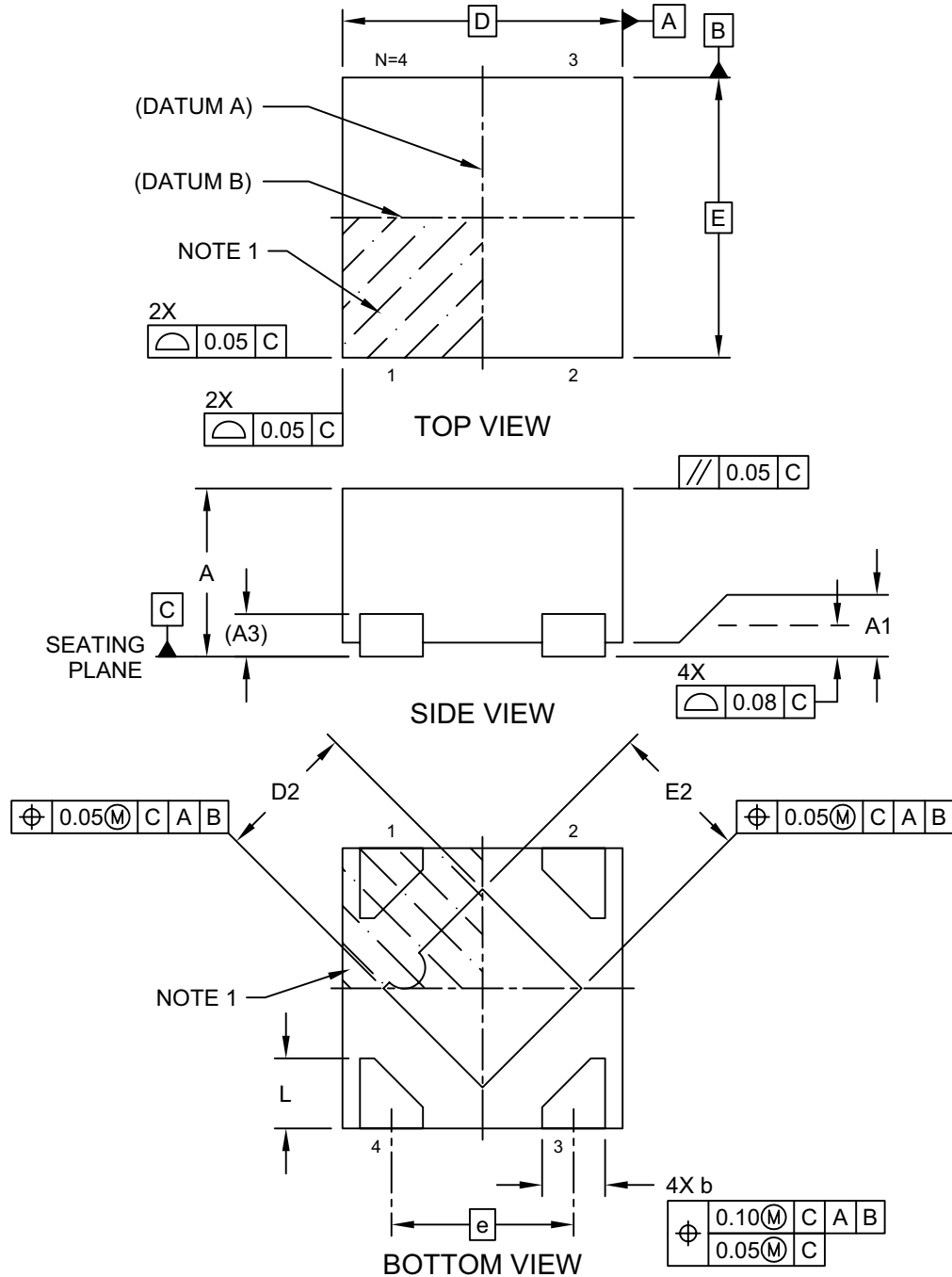
- Dimensions D and E1 do not include mold flash or protrusions. Mold flash or protrusions shall not exceed 0.25mm per side.
- Dimensioning and tolerancing per ASME Y14.5M  
 BSC: Basic Dimension. Theoretically exact value shown without tolerances.  
 REF: Reference Dimension, usually without tolerance, for information purposes only.

Microchip Technology Drawing C04-091-OT Rev E Sheet 2 of 2

# MCP1811A/11B/12A/12B

## 4-Lead Ultra Thin Plastic Dual Flat, No Lead Package (HCA) - 1x1 mm Body [UDFN]

**Note:** For the most current package drawings, please see the Microchip Packaging Specification located at <http://www.microchip.com/packaging>

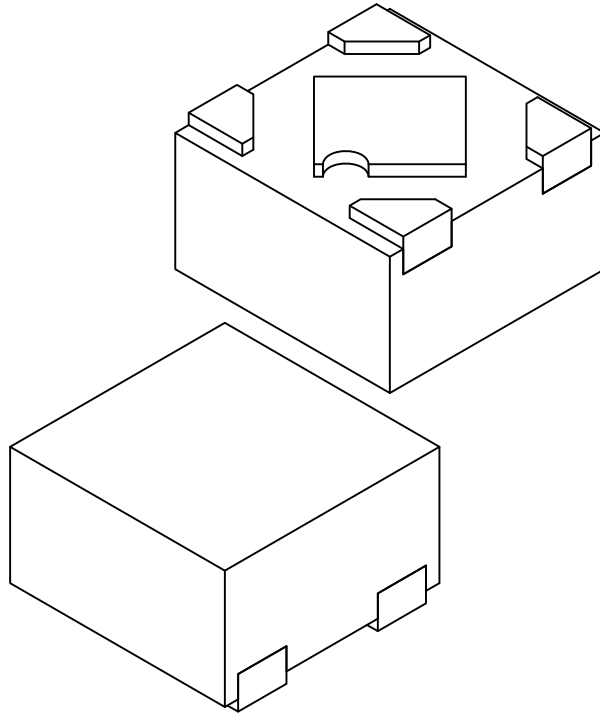


Microchip Technology Drawing C04-1149 Rev A Sheet 1 of 2

# MCP1811A/11B/12A/12B

## 4-Lead Ultra Thin Plastic Dual Flat, No Lead Package (HCA) - 1x1 mm Body [UDFN]

**Note:** For the most current package drawings, please see the Microchip Packaging Specification located at <http://www.microchip.com/packaging>



Dimension Limits	Units	MILLIMETERS		
		MIN	NOM	MAX
Number of Terminals	N	4		
Pitch	e	0.65 BSC		
Overall Height	A	0.50	0.55	0.60
Standoff	A1	0.00	0.02	0.05
Terminal Thickness	A3	0.152 REF		
Overall Length	D	1.00 BSC		
Exposed Pad Length	D2	0.45	0.50	0.55
Overall Width	E	1.00 BSC		
Exposed Pad Width	E2	0.45	0.50	0.55
Terminal Width	b	0.175	0.225	0.275
Terminal Length	L	0.20	0.25	0.30

**Notes:**

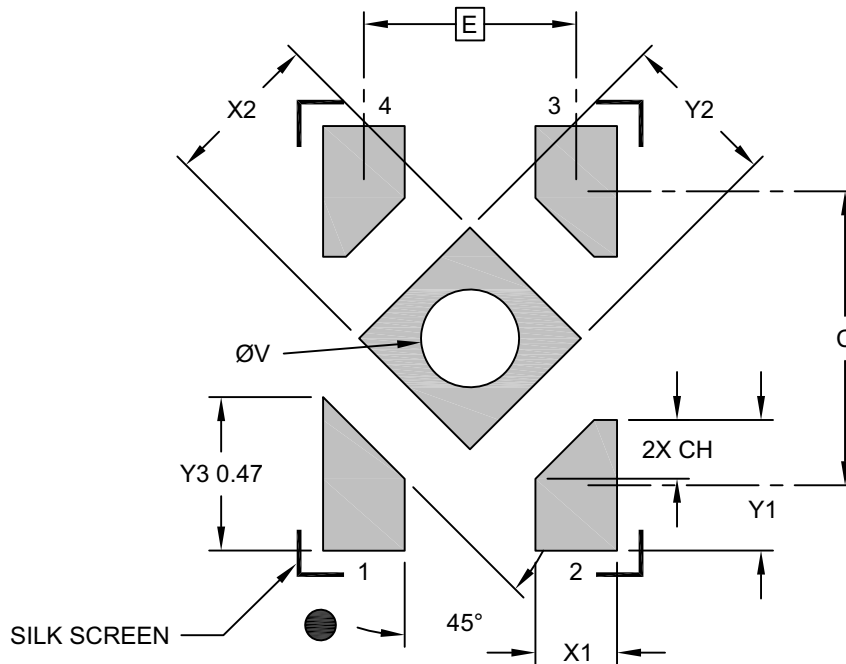
1. Pin 1 visual index feature may vary, but must be located within the hatched area.
2. Package is saw singulated
3. Dimensioning and tolerancing per ASME Y14.5M  
BSC: Basic Dimension. Theoretically exact value shown without tolerances.  
REF: Reference Dimension, usually without tolerance, for information purposes only.

Microchip Technology Drawing C04-1149 Rev A Sheet 2 of 2

# MCP1811A/11B/12A/12B

## 4-Lead Ultra Thin Plastic Dual Flat, No Lead Package (HCA) - 1x1 mm Body [UDFN]

**Note:** For the most current package drawings, please see the Microchip Packaging Specification located at <http://www.microchip.com/packaging>



### RECOMMENDED LAND PATTERN

Dimension Limits	Units	MILLIMETERS		
		MIN	NOM	MAX
Contact Pitch	E	0.65 BSC		
Center Pad Width	X2			0.48
Center Pad Length	Y2			0.48
Contact Pad Spacing	C		0.90	
Contact Pad Width (X4)	X1			0.25
Contact Pad Length (X3)	Y1			0.40
Terminal 1 Pad Length	Y3			0.47
Contact Pad Chamfer (X3)	CH		0.18	
Thermal Via Diameter	V		0.30	

**Notes:**

- Dimensioning and tolerancing per ASME Y14.5M  
BSC: Basic Dimension. Theoretically exact value shown without tolerances.
- For best soldering results, thermal vias, if used, should be filled or tented to avoid solder loss during reflow process

Microchip Technology Drawing C04-3149 Rev A

# MCP1811A/11B/12A/12B

---

NOTES:

## APPENDIX A: REVISION HISTORY

### Revision C (April 2020)

The following is the list of modifications:

1. Updated [Package Marking Information](#).
2. Updated [Product Identification System](#).

### Revision B (March 2019)

The following is the list of modifications:

1. Updated [Description](#).
2. Updated [Package Marking Information](#).
3. Updated [Product Identification System](#).

### Revision A (September 2018)

- Initial release of this document.



# MCP1811A/11B/12A/12B

---

NOTES:

# MCP1811A/11B/12A/12B

## PRODUCT IDENTIFICATION SYSTEM

To order or obtain information, e.g., on pricing or delivery, refer to the factory or the listed sales office.

<u>PART NO.</u>	<u>X<sup>(1)</sup></u>	<u>-XX</u>	<u>/XX</u>																											
Device	Tape and Reel Option	Output Voltage	Package																											
<p><b>Device:</b> MCP1811AT: Ultra-Low Quiescent Current LDO Regulator for Long-Life Battery-Powered Applications, Tape and Reel</p>																														
<p><b>Tape and Reel Option:</b> Blank = Standard packaging (tube or tray) T = Tape and Reel<sup>(1)</sup></p>																														
<p><b>Standard Output Voltages*</b></p> <table> <tr><td>010</td><td>=</td><td>1V</td></tr> <tr><td>012</td><td>=</td><td>1.2V</td></tr> <tr><td>018</td><td>=</td><td>1.8V</td></tr> <tr><td>020</td><td>=</td><td>2.0V</td></tr> <tr><td>025</td><td>=</td><td>2.5V</td></tr> <tr><td>028</td><td>=</td><td>2.8V</td></tr> <tr><td>030</td><td>=</td><td>3.0V</td></tr> <tr><td>033</td><td>=</td><td>3.3V</td></tr> <tr><td>040</td><td>=</td><td>4.0V</td></tr> </table>				010	=	1V	012	=	1.2V	018	=	1.8V	020	=	2.0V	025	=	2.5V	028	=	2.8V	030	=	3.0V	033	=	3.3V	040	=	4.0V
010	=	1V																												
012	=	1.2V																												
018	=	1.8V																												
020	=	2.0V																												
025	=	2.5V																												
028	=	2.8V																												
030	=	3.0V																												
033	=	3.3V																												
040	=	4.0V																												
<p><b>Package:</b></p> <table> <tr><td>TT</td><td>=</td><td>3-Lead Plastic Small Outline Transistor (SOT-23)</td></tr> <tr><td>LB</td><td>=</td><td>3-Lead Plastic Small Outline Transistor (SC70)</td></tr> <tr><td>LT</td><td>=</td><td>5-Lead Plastic Small Outline Transistor (SC70)</td></tr> <tr><td>OT</td><td>=</td><td>5-Lead Plastic Small Outline Transistor (SOT-23)</td></tr> <tr><td>HCA</td><td>=</td><td>4-Lead Plastic Ultra Thin Quad Flatpack, No Lead Package (UDFN)</td></tr> </table>				TT	=	3-Lead Plastic Small Outline Transistor (SOT-23)	LB	=	3-Lead Plastic Small Outline Transistor (SC70)	LT	=	5-Lead Plastic Small Outline Transistor (SC70)	OT	=	5-Lead Plastic Small Outline Transistor (SOT-23)	HCA	=	4-Lead Plastic Ultra Thin Quad Flatpack, No Lead Package (UDFN)												
TT	=	3-Lead Plastic Small Outline Transistor (SOT-23)																												
LB	=	3-Lead Plastic Small Outline Transistor (SC70)																												
LT	=	5-Lead Plastic Small Outline Transistor (SC70)																												
OT	=	5-Lead Plastic Small Outline Transistor (SOT-23)																												
HCA	=	4-Lead Plastic Ultra Thin Quad Flatpack, No Lead Package (UDFN)																												

**Examples:**

- a) MCP1811AT-010/TT: Tape and Reel, 1V Output Voltage, 3-Lead SOT-23 package
- b) MCP1811AT-010/LB: Tape and Reel, 1V Output Voltage, 3-Lead SC70 package
- c) MCP1811AT-010/LT: Tape and Reel, 1V Output Voltage, 5-Lead SC70 package
- d) MCP1811AT-040/OT: Tape and Reel, 4.0V Output Voltage, 5-Lead SOT-23 package
- e) MCP1812BT-025/HCA: Tape and Reel, 2.5V Output Voltage, 4-Lead UDFN package

**Note 1:** Tape and Reel identifier only appears in the catalog part number description. This identifier is used for ordering purposes and is not printed on the device package. Check with your Microchip Sales Office for package availability with the Tape and Reel option.

# MCP1811A/11B/12A/12B

---

NOTES:

---

**Note the following details of the code protection feature on Microchip devices:**

- Microchip products meet the specification contained in their particular Microchip Data Sheet.
- Microchip believes that its family of products is one of the most secure families of its kind on the market today, when used in the intended manner and under normal conditions.
- There are dishonest and possibly illegal methods used to breach the code protection feature. All of these methods, to our knowledge, require using the Microchip products in a manner outside the operating specifications contained in Microchip's Data Sheets. Most likely, the person doing so is engaged in theft of intellectual property.
- Microchip is willing to work with the customer who is concerned about the integrity of their code.
- Neither Microchip nor any other semiconductor manufacturer can guarantee the security of their code. Code protection does not mean that we are guaranteeing the product as “unbreakable.”

Code protection is constantly evolving. We at Microchip are committed to continuously improving the code protection features of our products. Attempts to break Microchip's code protection feature may be a violation of the Digital Millennium Copyright Act. If such acts allow unauthorized access to your software or other copyrighted work, you may have a right to sue for relief under that Act.

---

Information contained in this publication regarding device applications and the like is provided only for your convenience and may be superseded by updates. It is your responsibility to ensure that your application meets with your specifications. MICROCHIP MAKES NO REPRESENTATIONS OR WARRANTIES OF ANY KIND WHETHER EXPRESS OR IMPLIED, WRITTEN OR ORAL, STATUTORY OR OTHERWISE, RELATED TO THE INFORMATION, INCLUDING BUT NOT LIMITED TO ITS CONDITION, QUALITY, PERFORMANCE, MERCHANTABILITY OR FITNESS FOR PURPOSE. Microchip disclaims all liability arising from this information and its use. Use of Microchip devices in life support and/or safety applications is entirely at the buyer's risk, and the buyer agrees to defend, indemnify and hold harmless Microchip from any and all damages, claims, suits, or expenses resulting from such use. No licenses are conveyed, implicitly or otherwise, under any Microchip intellectual property rights unless otherwise stated.

**Trademarks**

The Microchip name and logo, the Microchip logo, Adaptec, AnyRate, AVR, AVR logo, AVR Freaks, BesTime, BitCloud, chipKIT, chipKIT logo, CryptoMemory, CryptoRF, dsPIC, FlashFlex, flexPWR, HELDO, IGLoo, JukeBlox, KeeLoq, Klear, LANCheck, LinkMD, maXStylus, maXTouch, MediaLB, megaAVR, Microsemi, Microsemi logo, MOST, MOST logo, MPLAB, OptoLyzer, PackeTime, PIC, picoPower, PICSTART, PIC32 logo, PolarFire, Prochip Designer, QTouch, SAM-BA, SenGenuity, SpyNIC, SST, SST Logo, SuperFlash, Symmetricom, SyncServer, Tachyon, TempTracker, TimeSource, tinyAVR, UNI/O, Vectron, and XMEGA are registered trademarks of Microchip Technology Incorporated in the U.S.A. and other countries.

APT, ClockWorks, The Embedded Control Solutions Company, EtherSynch, FlashTec, Hyper Speed Control, HyperLight Load, IntelliMOS, Libero, motorBench, mTouch, Powermite 3, Precision Edge, ProASIC, ProASIC Plus, ProASIC Plus logo, Quiet-Wire, SmartFusion, SyncWorld, Temux, TimeCesium, TimeHub, TimePictra, TimeProvider, Vite, WinPath, and ZL are registered trademarks of Microchip Technology Incorporated in the U.S.A.

Adjacent Key Suppression, AKS, Analog-for-the-Digital Age, Any Capacitor, AnyIn, AnyOut, BlueSky, BodyCom, CodeGuard, CryptoAuthentication, CryptoAutomotive, CryptoCompanion, CryptoController, dsPICDEM, dsPICDEM.net, Dynamic Average Matching, DAM, ECAN, EtherGREEN, In-Circuit Serial Programming, ICSP, INICnet, Inter-Chip Connectivity, JitterBlocker, KlearNet, KlearNet logo, memBrain, Mindi, MiWi, MPASM, MPF, MPLAB Certified logo, MPLIB, MPLINK, MultiTRAK, NetDetach, Omniscient Code Generation, PICDEM, PICDEM.net, PICkit, PICtail, PowerSmart, PureSilicon, QMatrix, REAL ICE, Ripple Blocker, SAM-ICE, Serial Quad I/O, SMART-I.S., SQI, SuperSwitcher, SuperSwitcher II, Total Endurance, TSHARC, USBCheck, VariSense, ViewSpan, WiperLock, Wireless DNA, and ZENA are trademarks of Microchip Technology Incorporated in the U.S.A. and other countries.

SQTP is a service mark of Microchip Technology Incorporated in the U.S.A.

The Adaptec logo, Frequency on Demand, Silicon Storage Technology, and Symmcom are registered trademarks of Microchip Technology Inc. in other countries.

GestIC is a registered trademark of Microchip Technology Germany II GmbH & Co. KG, a subsidiary of Microchip Technology Inc., in other countries.

All other trademarks mentioned herein are property of their respective companies.

© 2018-2020, Microchip Technology Incorporated, All Rights Reserved.

ISBN: 978-1-5224-5999-6

For information regarding Microchip's Quality Management Systems, please visit [www.microchip.com/quality](http://www.microchip.com/quality).



# MICROCHIP

## Worldwide Sales and Service

### AMERICAS

**Corporate Office**  
2355 West Chandler Blvd.  
Chandler, AZ 85224-6199  
Tel: 480-792-7200  
Fax: 480-792-7277  
Technical Support:  
<http://www.microchip.com/support>  
Web Address:  
[www.microchip.com](http://www.microchip.com)

#### Atlanta

Duluth, GA  
Tel: 678-957-9614  
Fax: 678-957-1455

#### Austin, TX

Tel: 512-257-3370

#### Boston

Westborough, MA  
Tel: 774-760-0087  
Fax: 774-760-0088

#### Chicago

Itasca, IL  
Tel: 630-285-0071  
Fax: 630-285-0075

#### Dallas

Addison, TX  
Tel: 972-818-7423  
Fax: 972-818-2924

#### Detroit

Novi, MI  
Tel: 248-848-4000

#### Houston, TX

Tel: 281-894-5983

#### Indianapolis

Noblesville, IN  
Tel: 317-773-8323  
Fax: 317-773-5453  
Tel: 317-536-2380

#### Los Angeles

Mission Viejo, CA  
Tel: 949-462-9523  
Fax: 949-462-9608  
Tel: 951-273-7800

#### Raleigh, NC

Tel: 919-844-7510

#### New York, NY

Tel: 631-435-6000

#### San Jose, CA

Tel: 408-735-9110  
Tel: 408-436-4270

#### Canada - Toronto

Tel: 905-695-1980  
Fax: 905-695-2078

### ASIA/PACIFIC

**Australia - Sydney**  
Tel: 61-2-9868-6733

**China - Beijing**  
Tel: 86-10-8569-7000

**China - Chengdu**  
Tel: 86-28-8665-5511

**China - Chongqing**  
Tel: 86-23-8980-9588

**China - Dongguan**  
Tel: 86-769-8702-9880

**China - Guangzhou**  
Tel: 86-20-8755-8029

**China - Hangzhou**  
Tel: 86-571-8792-8115

**China - Hong Kong SAR**  
Tel: 852-2943-5100

**China - Nanjing**  
Tel: 86-25-8473-2460

**China - Qingdao**  
Tel: 86-532-8502-7355

**China - Shanghai**  
Tel: 86-21-3326-8000

**China - Shenyang**  
Tel: 86-24-2334-2829

**China - Shenzhen**  
Tel: 86-755-8864-2200

**China - Suzhou**  
Tel: 86-186-6233-1526

**China - Wuhan**  
Tel: 86-27-5980-5300

**China - Xian**  
Tel: 86-29-8833-7252

**China - Xiamen**  
Tel: 86-592-2388138

**China - Zhuhai**  
Tel: 86-756-3210040

### ASIA/PACIFIC

**India - Bangalore**  
Tel: 91-80-3090-4444

**India - New Delhi**  
Tel: 91-11-4160-8631

**India - Pune**  
Tel: 91-20-4121-0141

**Japan - Osaka**  
Tel: 81-6-6152-7160

**Japan - Tokyo**  
Tel: 81-3-6880-3770

**Korea - Daegu**  
Tel: 82-53-744-4301

**Korea - Seoul**  
Tel: 82-2-554-7200

**Malaysia - Kuala Lumpur**  
Tel: 60-3-7651-7906

**Malaysia - Penang**  
Tel: 60-4-227-8870

**Philippines - Manila**  
Tel: 63-2-634-9065

**Singapore**  
Tel: 65-6334-8870

**Taiwan - Hsin Chu**  
Tel: 886-3-577-8366

**Taiwan - Kaohsiung**  
Tel: 886-7-213-7830

**Taiwan - Taipei**  
Tel: 886-2-2508-8600

**Thailand - Bangkok**  
Tel: 66-2-694-1351

**Vietnam - Ho Chi Minh**  
Tel: 84-28-5448-2100

### EUROPE

**Austria - Wels**  
Tel: 43-7242-2244-39  
Fax: 43-7242-2244-393

**Denmark - Copenhagen**  
Tel: 45-4485-5910  
Fax: 45-4485-2829

**Finland - Espoo**  
Tel: 358-9-4520-820

**France - Paris**  
Tel: 33-1-69-53-63-20  
Fax: 33-1-69-30-90-79

**Germany - Garching**  
Tel: 49-8931-9700

**Germany - Haan**  
Tel: 49-2129-3766400

**Germany - Heilbronn**  
Tel: 49-7131-72400

**Germany - Karlsruhe**  
Tel: 49-721-625370

**Germany - Munich**  
Tel: 49-89-627-144-0  
Fax: 49-89-627-144-44

**Germany - Rosenheim**  
Tel: 49-8031-354-560

**Israel - Ra'anana**  
Tel: 972-9-744-7705

**Italy - Milan**  
Tel: 39-0331-742611  
Fax: 39-0331-466781

**Italy - Padova**  
Tel: 39-049-7625286

**Netherlands - Drunen**  
Tel: 31-416-690399  
Fax: 31-416-690340

**Norway - Trondheim**  
Tel: 47-7288-4388

**Poland - Warsaw**  
Tel: 48-22-3325737

**Romania - Bucharest**  
Tel: 40-21-407-87-50

**Spain - Madrid**  
Tel: 34-91-708-08-90  
Fax: 34-91-708-08-91

**Sweden - Gothenberg**  
Tel: 46-31-704-60-40

**Sweden - Stockholm**  
Tel: 46-8-5090-4654

**UK - Wokingham**  
Tel: 44-118-921-5800  
Fax: 44-118-921-5820