

## Han HsB-SMC-MC-CRT-2.5 mm<sup>2</sup> / 14 AWG-Ag

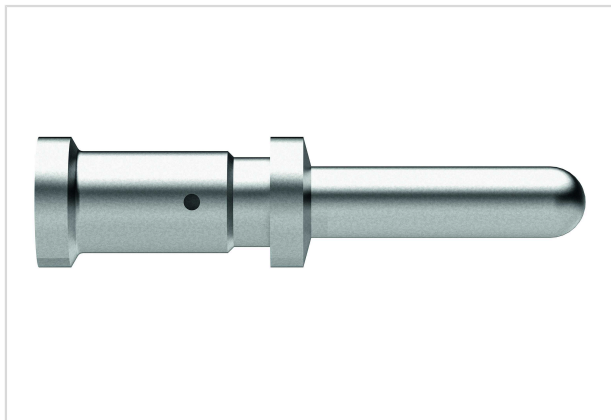


Image is for illustration purposes only. Please refer to product description.

Part number	09 31 000 6105
Specification	Han HsB-SMC-MC-CRT-2.5 mm <sup>2</sup> / 14 AWG-Ag
HARTING eCatalogue	<a href="https://b2b.harting.com/09310006105">https://b2b.harting.com/09310006105</a>

### Identification

Category	Contacts
Series	Han <sup>®</sup> HsB
Type of contact	Crimp contact

### Version

Gender	Male
Manufacturing process	Turned contacts

### Technical characteristics

Conductor cross-section	2.5 mm <sup>2</sup>
Conductor cross-section	AWG 14
Operating current	≤35 A
Contact resistance	≤1 mΩ
Stripping length	9.5 mm

### Material properties

Material (contacts)	Copper alloy
Surface (contacts)	Silver plated

### Specifications and approvals

Specifications	EN 60664-1 IEC 61984
----------------	-------------------------



Pushing Performance

## Commercial data

Packaging size	25
Net weight	2.5 g
Country of origin	Germany
European customs tariff number	85366990
eCl@ss	27440204 Contact for industrial connectors