

Pushbutton Switches

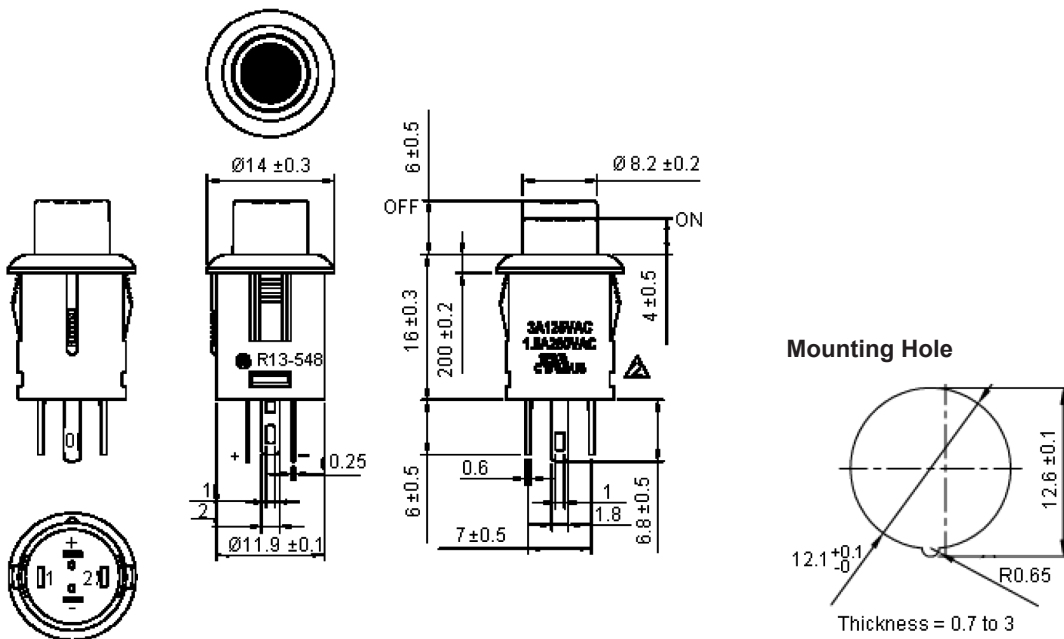
multicomp PRO



Specifications

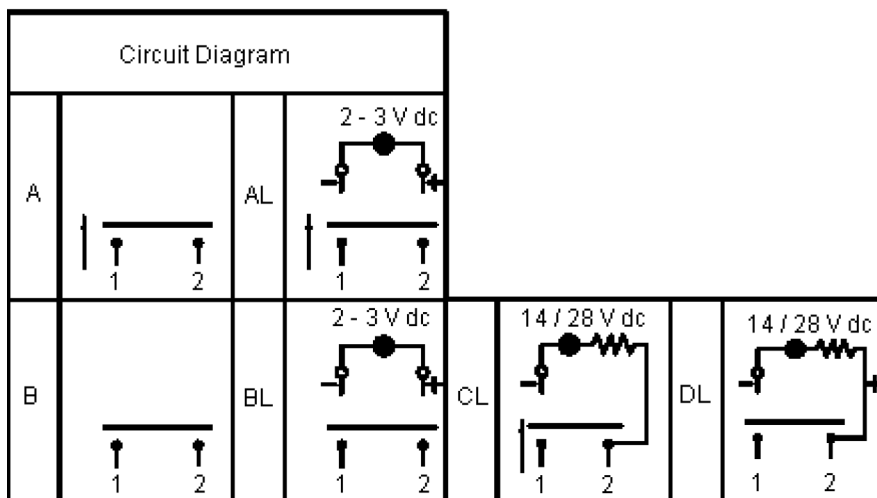
Rating	: 3A 125V, 1.5A 250V AC for A / B / AI / BL 6A, 14V DC, 3A 28V DC of A / B / CL / DL
Max. Contact Resistance	: 50mΩ
Min. Insulation Resistance	: 500V DC 100MΩ
Dielectric Strength	: 1,000V AC 1 minute
Operating Temperature	: -0°C to 65°C

Diagram



Dimensions : Millimetres

Circuit Diagram



Newark.com/multicomp-pro
Farnell.com/multicomp-pro
Element14.com/multicomp-pro

multicomp PRO

Part Number Explanation

R13 - 548B - 05 - BB
Frame Colour Actuator Colour

Functions	
A	2P DPST (On)-Off
AL	4P DPST (On)-Off (Led)
B	2P DPST On-Off
BL	4P DPST On-Off (Led)
CL	3P SPST (On)-Off (Led)
DL	3P SPST On-Off (Led)

Part Number Table

Description	Part Number
Switch, Push Button, SPST	R13-548B-05-BB
Switch, Push Button, SPST, Red	R13-548DL-05-BR
Switch, Push Button, SPST, Green	R13-548DL-05-BG
Switch, Push Button, SPST, MOM	R13-548A-05-BB
Switch, Push Button, SPST, MOM, Red	R13-548CL-05-BR
Switch, Push Button, SPST, MOM, Green	R13-548CL-05-BG

Important Notice : This data sheet and its contents (the "Information") belong to the members of the AVNET group of companies (the "Group") or are licensed to it. No licence is granted for the use of it other than for information purposes in connection with the products to which it relates. No licence of any intellectual property rights is granted. The Information is subject to change without notice and replaces all data sheets previously supplied. The Information supplied is believed to be accurate but the Group assumes no responsibility for its accuracy or completeness, any error in or omission from it or for any use made of it. Users of this data sheet should check for themselves the Information and the suitability of the products for their purpose and not make any assumptions based on information included or omitted. Liability for loss or damage resulting from any reliance on the Information or use of it (including liability resulting from negligence or where the Group was aware of the possibility of such loss or damage arising) is excluded. This will not operate to limit or restrict the Group's liability for death or personal injury resulting from its negligence. Multicomp Pro is the registered trademark of Premier Farnell Limited 2019.