

New short-body on-delay, signal off-delay, one shot or flicker (re-cycling) timer modes, with 16 ranges, selectable from the front panel

- 4 operation modes
- Timing ranges 0.05 secs to 60 hours
- 16 ranges, front panel selectable
- Indications for time range, operation mode, time up and power on/timing
- DPCO output relay
- New scale ranges for ease of time setting
- Instantaneous output with dial set at 0
- Improved resistance to electromagnetic interference
- 48-DIN
- Plug-in 11-pin base
- Sockets available for panel, surface or DIN rail mounting
- Approved by standards: UL and CSA



Options and ordering codes

TA11-A 24VAC/DC

TA11-A 100-240VAC

TA11-A 48-127VDC

Specifications

Timing ranges (selectable)

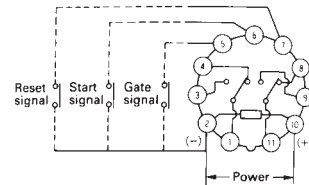
Calibrated range – selected using screw in bottom left corner of front panel	Controlled timing range. Time unit selectable using the screw in the bottom right hand corner of the front panel			
	Time unit: 0.1 sec.	Time unit: sec.	Time unit: min.	Time unit: hrs.
0-6	0.05-0.6 secs.	0.5-6 secs.	0.5-6 mins.	0.5-6 hrs.
0-12	0.1-1.2	1-12	1-12	1-12
0-30	0.25-3	2.5-30	2.5-30	2.5-30
0-60	0.5-6	5-60	5-60	5-60

Repeat accuracy	±0.3% at max. setting time
Reset time	0.1 sec or less
Max. switching frequency	1800 times/hour
Allowable ambient temperature	-10°C to +55°C (Avoid ice on timer)
Mechanical life	20 million operations or more
Electrical life	100,000 operations or more at 250 V AC 5A resistive load
Allowable operating voltage range	0.85 to 1.1 times input voltage (0.9 to 1.1 at 55°C)
Contact ratings	5A at 250 V AC resistive load
Power consumption	10VA at AC, 1W at DC
Supply frequency AC types	50/60 Hz
Dielectric strength	2,000 V AC rms. 1 min. between current carrying part and non current carrying part
	2,000 V AC rms. 1 min. between output contacts and control circuit
	1,000 V AC rms. 1 min. between open contacts
Insulation resistance	100 MΩ or more at 500 V DC megger
Vibration	Mechanical durability: 10 to 55Hz, 0.75mm double amplitude
	Mechanical durability: 10 to 55Hz, 0.5mm double amplitude
Shock	Mechanical durability: 500m/s ² (Approx. 50G)
	Malfunction durability: 100m/s ² (Approx. 10G)

Wiring diagram and operating modes

Mode selected by turning the screw in the top left hand corner of the front panel.

CAUTION: Do not touch terminals 5, 6 and 7 while power is applied to the timer.



Please see page 109 for timing diagrams

1. On-delay **PO**

- Turn the mode selector until **PO** is displayed.
- When power is ON, applying the start signal turns the NO (normally open) timed contact ON after the set time has elapsed.
- For power-on-delay operation, the start signal terminals (2 and 6) must be connected in advance.
- The timer is reset by the removal of power or by applying a reset signal.

3. One-shot momentary actuation **OS**

- Turn the mode selector until **OS** is displayed.
- When power is ON, applying the start signal instantly turns the NO timed contact ON and turns it OFF after the set time has elapsed.
- Removing power while the timer is in operation or applying a reset signal resets the timer.

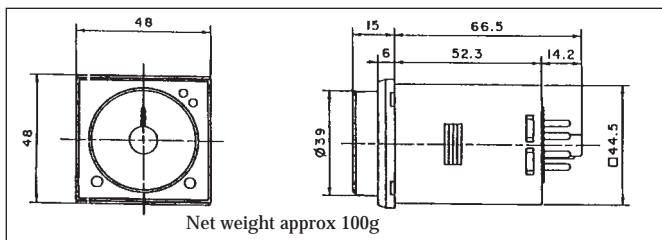
2. Flicker (Repeat cycle) **FL**

- Turn the mode selector until **FL** is displayed.
- When power is ON, applying the start signal turns the timed contact ON and OFF repeatedly at the set time intervals.
- The timer is reset by the removal of power or by applying a reset signal.

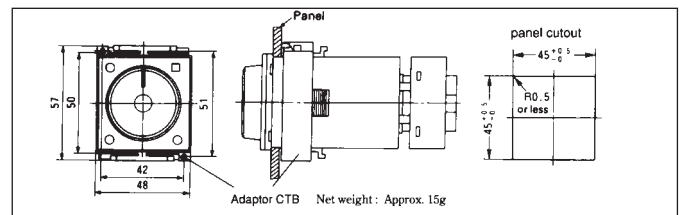
4. Signal off-delay **SF**

- Turn the mode selector until **SF** is displayed.
- When power is ON, applying the start signal instantly turns the NO timed contact ON. Removing the start signal turns the contact OFF after the set time has elapsed.
- Removing power while the timer is in operation or applying a reset signal resets the timer.

Dimensions (mm)



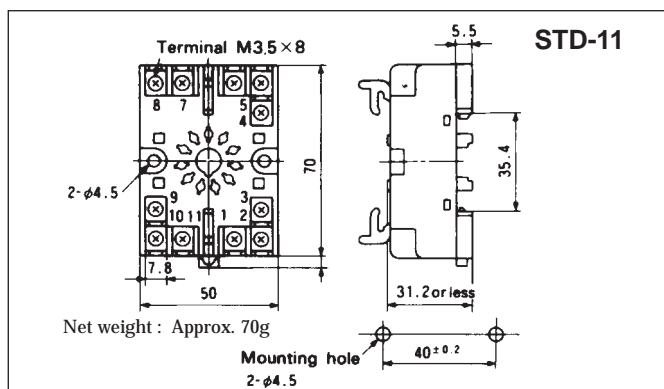
Flush mounting



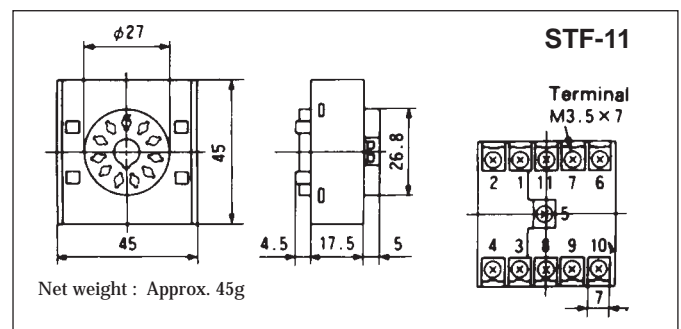
Note: For flush mounting, an adaptor CTB is required (sold separately)

Sockets

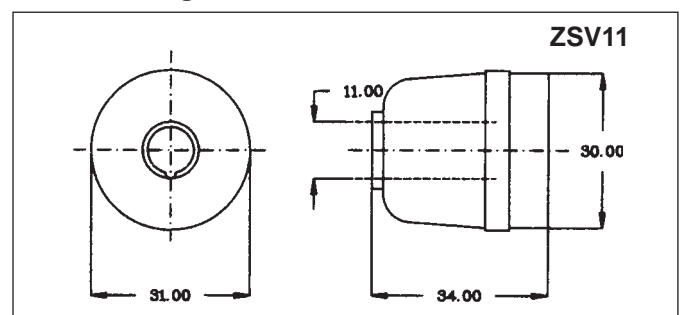
Surface/track mounting – screw terminal



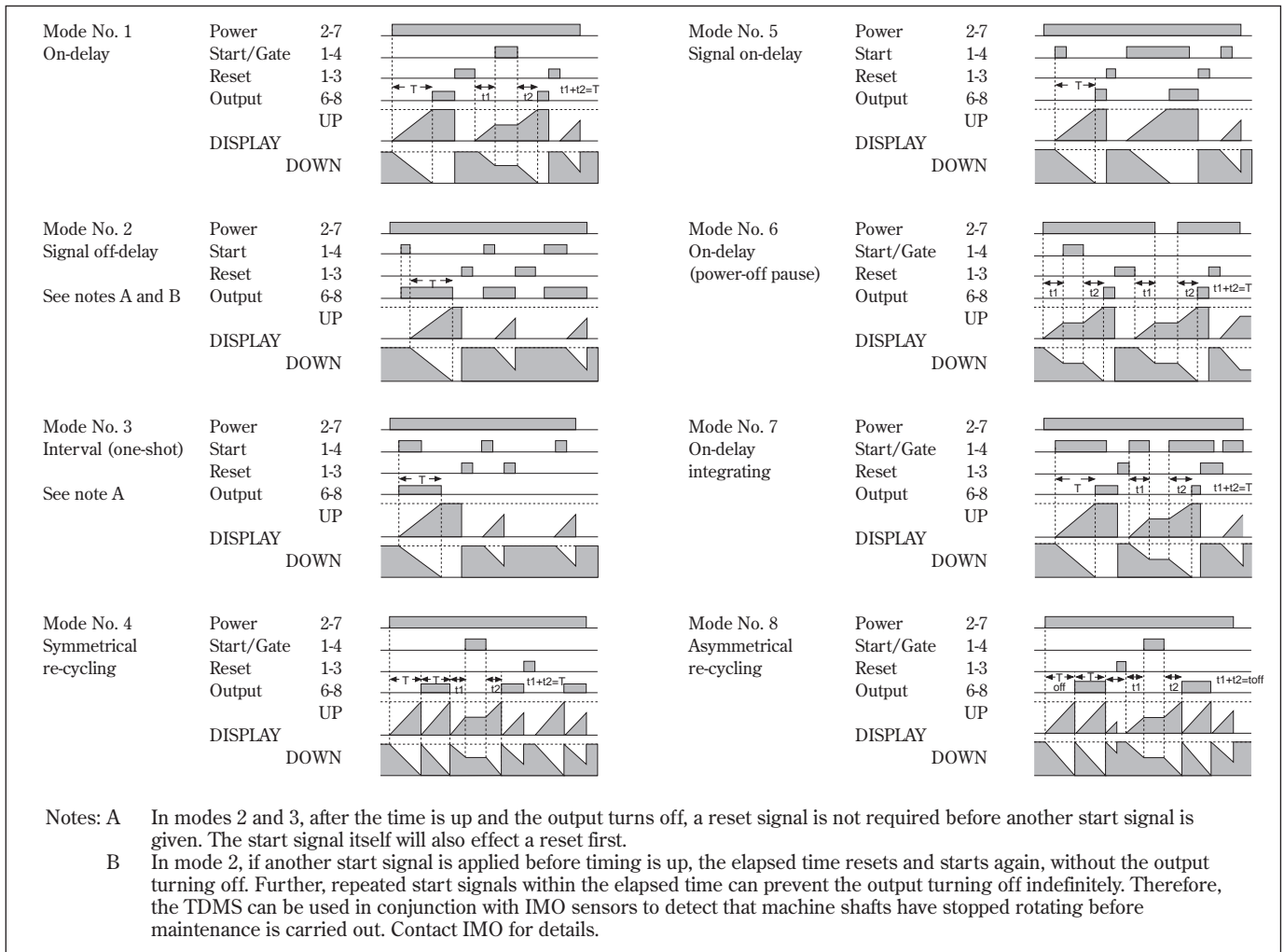
Flush mounting – screw terminal



Flush mounting – solder terminal



Timer TDMS



Timer TA11-A

