

DATA SHEET

Form 374-010206

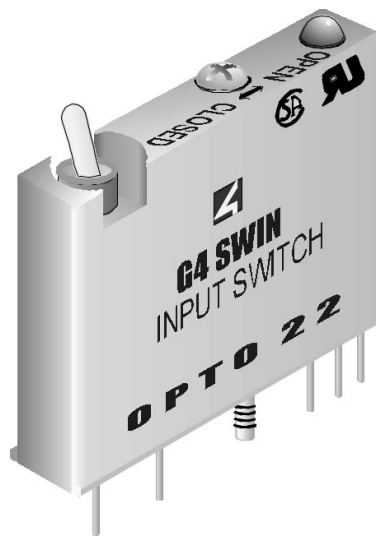
Description

Part Number	Description
G4SWIN	G4 Input Switch 5, 15, 24 VDC Logic

Opto 22's G4SWIN input test module is used to simulate an input on an I/O mounting rack. Each module contains a toggle switch that closes a contact on the logic side of the module. An internal resistor limits the current through the switch and provides a load similar to that of an actual input module. An internal debounce circuit allows rapid switch closures without false counts.

The G4SWIN module works with logic voltages of 5, 15, and 24 volts. Internally, there is no connection to the field inputs.

The G4SWIN module is ideal for simulating discrete external events when testing application software.



Features

- On/off switch, ideal for testing application software
- Ability to simulate an external input
- Built-in LED status indicator
- Logic levels of 5, 15, and 24 VDC
- Small footprint design matches that of other G4 I/O modules
- Debounced for rapid counting
- Operating temperature: -30° C to 70° C
- UL recognized, CSA certified, CE approved
- Passes NEMA Showering Arc Test (ICS 2-230)
- Meets IEEE Surge Withstand Specification (IEEE-472)

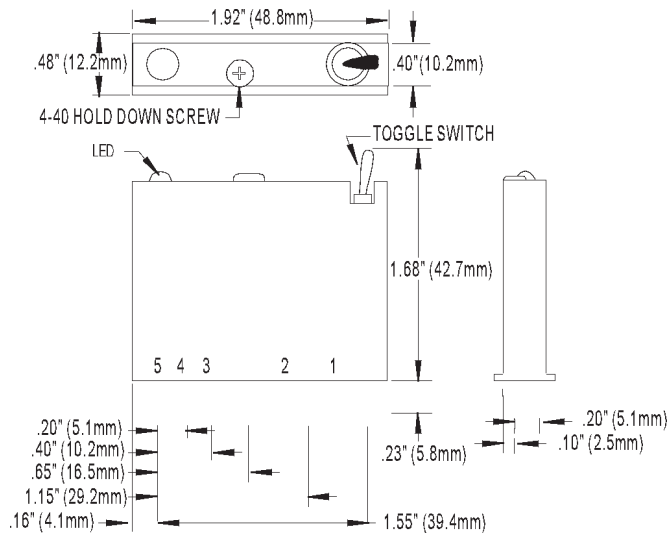
DATA SHEET

Form 374-010206

Specifications

Isolation input-to-output:	4,000 Vrms
Ambient temperature:	
Operating:	-30 to +70°C
Storage:	-30 to +85°C

Dimensions



Schematics

