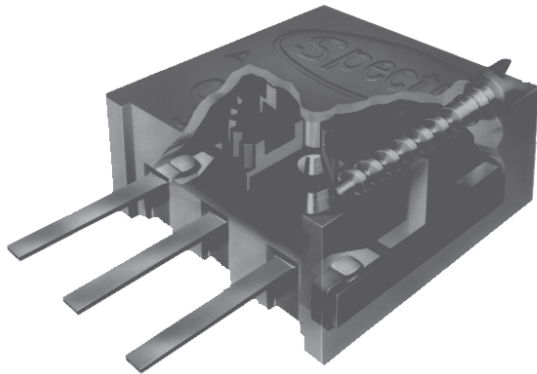


3/8" Square (10mm) Multiturn Cermet Trimmer



FEATURES

- Unique Ratchet Device Integral with Gear to Ensure Long Term Reliability
- Central Pivot Locating the Gear for Improved Stability
- I.C. Style Pins for Easy PCB Insertion
- Rigid Board Mounting Achieved with Pins Secured in Housing
- Soldered Terminations for High Reliability
- Multifinger Precious Metal Wiper For Long Term Set Point Stability
- Double Chevron Shaft for Sealing Plus Consistent Torque and Reliable Adjustability
- Flame Retardent Plastic Housing

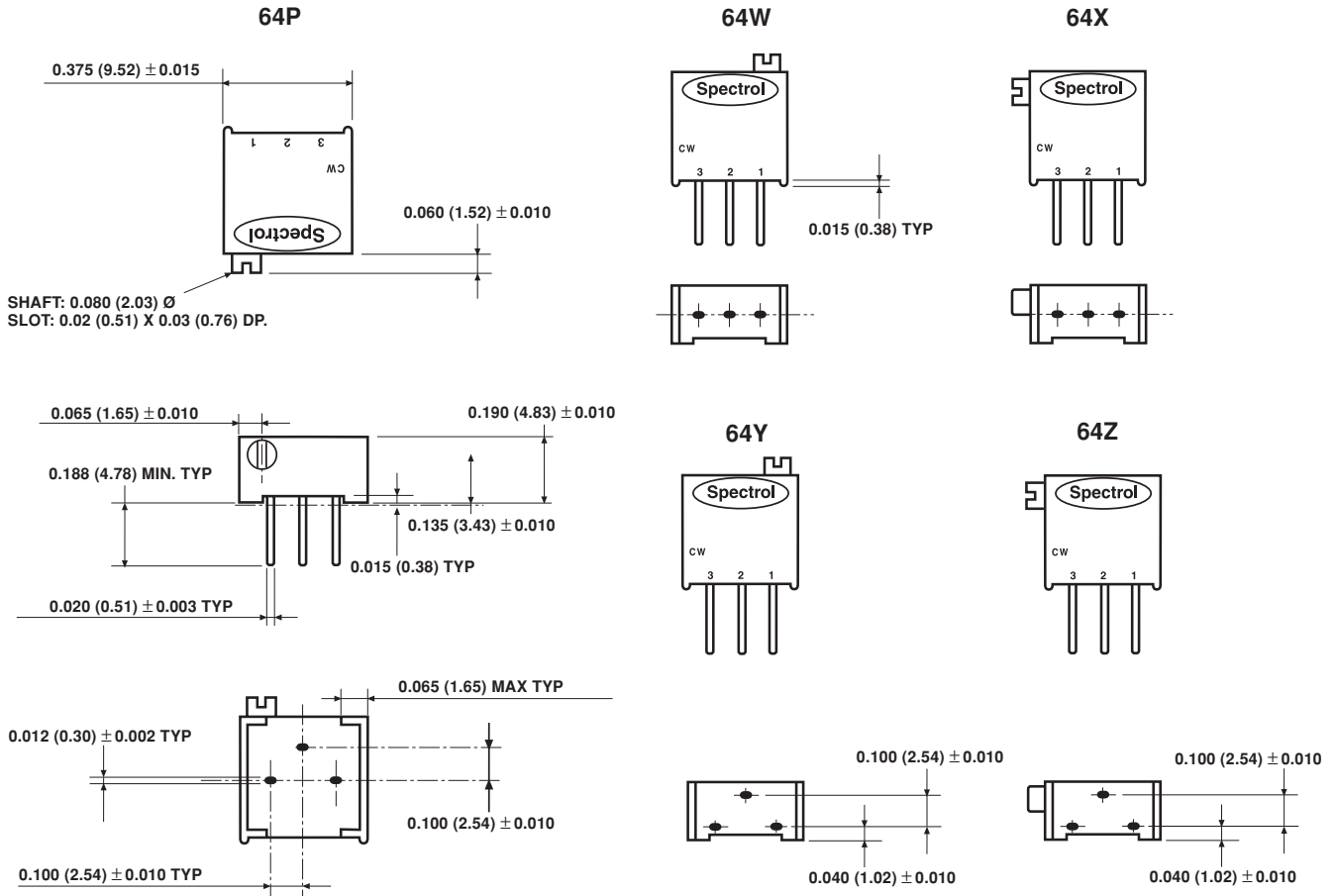
The Model 64 cermet trimmer from Vishay Spectrol incorporate improved design features making it one of the most advanced components of its type available in Europe. Giving maximum versatility with a choice of five pin styles and top or side adjustment. Available from 10Ω to 2MΩ, the Model 64 has 25 turns nominal travel and a resistance tolerance of ± 10%. Significant design features include the use of two Chevron sealing rings on the shaft, for more consistent torque and improved adjustability and flame retardant housing. A precious metal wiper significantly improves long term stability, making it particularly suitable for telecommunication applications.

ELECTRICAL SPECIFICATIONS	
PARAMETER	
Effective Travel	25 turns nominal
Resistance Range	10Ω thru - 2MΩ
Resistance Tolerance	± 10%
End Resistance	Less than 2Ω
Temperature Coefficient of Resistance	100ppm/°C, 100Ω thru 2MΩ 0 to + 250ppm/°C. below 100Ω
Power Rating	0.5 watts @ 70°C, derated linearly to zero watts @ 125°C Maximum voltage not to exceed 300V
Dielectric Withstanding Voltage	1000VAC @ sea level, 250VAC @ 80,000 ft (24,400 meters)
Insulation Resistance	1000MΩ minimum
Contact Resistance Variation	1% or 1Ω, whichever is greater

ORDERING INFORMATION		
64	P	XXX
MODEL	TERMINAL STYLE P, W, X, Y or Z	EIA STANDARD RESISTANCE CODE
Example: 64 - P - XXX		



DIMENSIONS in inches (millimeters)



TOLERANCES: ± 0.015 (0.38) except where noted.



MECHANICAL SPECIFICATIONS	
PARAMETER	
Stop Strength	Contact idles at stop
Operating Torque	35mNm nominal
Weight	0.04oz (1.13gm) maximum
Resistance Element	Cermet
2 Terminal Adjustability	0.05% of RT
3 Terminal Adjustment	0.01% of applied voltage



ENVIRONMENTAL SPECIFICATIONS						
PARAMETER		MAX R	CHANGE $\frac{V_{AB}}{V_{AC}}$	PER CECC 41100	PER IEC 68.1 PART 1	PER MIL 202F
Temperature Range	- 55°C to + 125°C	2%	1%	(PARA 2.3.6)	TEST NA (IEC 68 - 2 - 14)	METHOD 107
Bumps	390m/s ² , 4000	1%	–	(PARA 2.3.3)	TEST EB (IEC 68 - 2 - 29)	NO EQUIV
Vibration	98m/s ² , 10 to 500Hz	1%	2%	(PARA 2.3.2)	TEST FC (IEC 68 - 2 - 6)	METHOD 204
Electrical Endurance	1000 hour	3%*	–*	(PARA 2.5.16)		NO EQUIV
Soldering	–	–	–	(PARA 2.3.7)	TEST TB (IEC 68 - 2 - 20)	METHOD 208
Resistance to Heat	–	1%	–	(PARA 2.3.7)	TEST TB (IEC 68 - 2 - 20A)	METHOD 210 METHOD 1A
Damp Heat Steady State	56 days	3%	–	(PARA 2.1)	TEST C (IEC 68 - 2 - 3)	METHOD 103
Sealing	125°C for 1 min	–	–	AS IEC	TEST QC (IEC 68 - 2 - 17)	METHOD 112
Mechanical Life	200 cycles	3%	–		METHOD 2	
Terminal Strength	2.2lbs (1kg)	min	–			

*Better than 2% changes of wiper resistance with respect to element is achievable with the precious metal wiper

STANDARD RESISTANCE	
RESISTANCE Ω	RESISTANCE CODE
10	100
20	200
50	500
100	101
200	201
500	501
1000	102
2000	202
5000	502
10000	103
20000	203
25000	253
50000	503
100000	104
200000	204
250000	254
500000	504
1000000	105
2000000	205

MARKING	
Unit Identification	Manufacturer's name and model number, resistance value, tolerance, date code and terminal identification