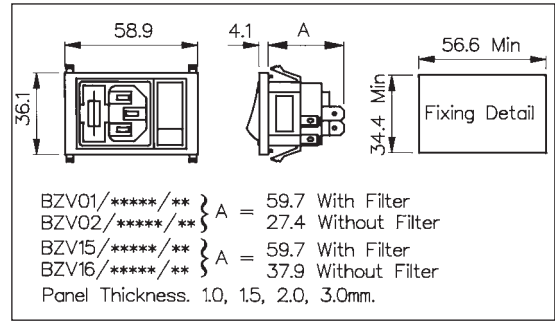


C14 IEC Fused Inlet - Vertical

VERTICAL MODULE ARRANGEMENT

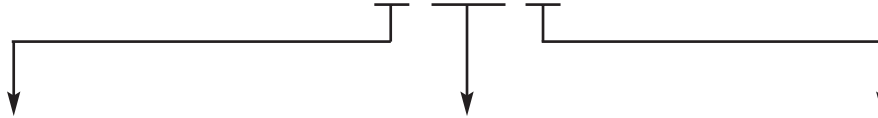


- Fused Inlet with 2.8mm or 6.3mm tags
- Single Pole Switch Variations
- Filtered Inlet Option
- Options of I/O marked switches



How to Order

**BZV** xx / xxxxx / xx



Type of Inlet / Outlet	Filtered or Non Filtered Inlet	Combination of Other Components
Single Fused C14 Power Inlet (cold condition), 6.3 or 2.8mm tabs: <b>01</b> = PF0011/63 <b>02</b> = PF0011/28  Twin Fused C14 Power Inlet (cold condition), 6.3 or 2.8mm tabs: <b>15</b> = PF0033/63 <b>16</b> = PF0033/28	Z0000 = Non Filtered Axxxx = Standard Bxxxx = Medical Cxxxx = High Performance Standard (Single Fuse Version only)  <div style="border: 1px solid black; padding: 5px; width: fit-content; margin: 10px auto;">                         For Filtered inlet use 6th to 9th characters from filter ordering code see pages 97-100.                           E.g. BZV01/<b>A0620</b>/01                     </div>	Single Pole Switch: <b>01</b> = S.P. Switch  Single Pole Neon Switch: <b>02</b> = S.P. Red Neon Switch <b>08</b> = S.P. Green Neon Switch  Neon Indicator: <b>03</b> = Red Neon Indicator  Single Pole High Inrush Switch: <b>46</b> = S.P. High Inrush Switch  Single Pole Switch Marked I/O: <b>69</b> = S.P. Switch (I/O)  Single Pole Neon Switch Marked (I/O): <b>71</b> = S.P. Red Neon Switch (I/O) <b>74</b> = S.P. Green Neon Switch (I/O)  Single Pole High Inrush Switch Marked (I/O): <b>98</b> = S.P. High Inrush Switch (I/O)

Note: For technical details of individual components please see page 74

Components used in Polysnap® and Polyflange Power Inlet Modules

Note: Components are Approved Individually (where applicable). Please see individual component pages for full specifications.

IEC CONNECTORS, FUSEHOLDERS AND VOLTAGE SELECTORS

Type	Description	Rating	Approvals
DX0928	Neon Indicator	110V or 250V a.c./d.c. working	
FX0359	5 x 20mm Fuseholder	Max. rating 10A. 250V See Page 138	
PF0011	C14 Power Inlet with Integral 5 x 20mm Fuseholder	Max. rating 10A. 250V a.c. See Page 54	
PF0033	C14 Power Inlet with Integral twin 5 x 20mm Fuseholder	Max. rating 10A. 250V a.c. See Page 55	
PX0575	C14 Power Inlet, Cold condition	Max. rating 10A. 250V a.c. See Page 50	
PX0595	C16 Power Inlet, Hot Condition	Max. rating 10A. 250V a.c. See Page 56	
PX0695	Sheet F Power Outlet	Max. rating 10A. 250V a.c. See Page 63	
PX0783	Sheet F Shuttered Power Outlet	Max. rating 10A. 250V a.c. See Page 64	
PX0598	C20 Power Inlet	Max. rating 16A, 250V a.c. See Page 59	
VS0001	Voltage Selector marked 120/240V	Max. rating 6.3A. 120/240V a.c. See Page 176	

IEC CONNECTORS

SWITCHES, INDICATORS AND CIRCUIT BREAKERS

No Poles	Illumination	Current Ratings	Circuit	Approvals
Single Pole	Non-illuminated High Inrush	Max. rating 16A Resistive, 4A Inductive, 250Vac. Max. rating 16A Resistive, 4A Inductive, 250Vac. Inrush current, 150A to IEC65.		
	Illuminated	Max. rating 16A Resistive, 4A Inductive, 250Vac.		
Double Pole	Non-illuminated High Inrush	Max. rating 16A Resistive, 4A Inductive, 250Vac. Max. rating 16A Resistive, 4A Inductive, 250Vac. Inrush current, 150A to IEC65.		
	Illuminated	Max. rating 16A Resistive, 4A Inductive, 250Vac. 250Vac Neon.		
For Mini Bezel: Single Pole	Non-illuminated	Max. rating 10A Resistive, 4A Inductive, 250Vac.		
	Illuminated	Max. rating 10A Resistive, 4A Inductive, 250Vac. 250Vac Neon.		
Double Pole	Non-illuminated	Max. rating 10A Resistive, 4A Inductive, 250Vac.		
	High Inrush	Max. rating 10A Resistive, 4A Inductive, 250Vac. Inrush current, 85A to EN61058-1.		
	Illuminated	Max. rating 10A Resistive, 4A Inductive, 250Vac. 250Vac Neon.		
Indicator		250Vac neon lamp connected internally to terminals.		
Circuit Breaker	Non-illuminated			
	Illuminated	125Vac and 250Vac Neons.		