

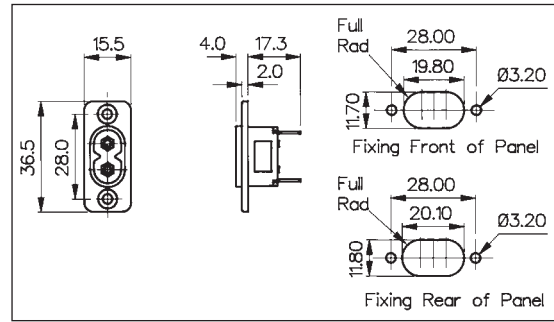
## EN60 320-1 Standard Sheet C8 Class II Cold Condition

### FLANGE PANEL MOUNT INLET



**PX0784/28**

- Figure of Eight
- 2.8mm Solder Tabs
- 2.5A, 250V a.c.

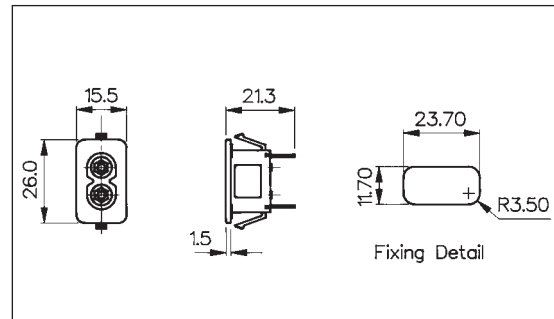


### SNAP FIT TO PANEL INLET



**PX0785/28**

- Figure of Eight
- Fits Panel sizes 1, 1.5 or 2mm
- 2.8mm Solder Tabs
- 2.5A, 250V a.c.

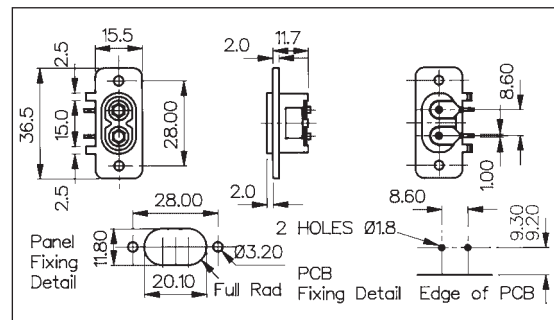


### PCB FLANGE PANEL MOUNT INLET



**PX0786/PC**

- Figure of Eight
- PC Spills
- 2.5A, 250V a.c.
- PCB Location Clips



Specification	PX0784/28	PX0785/28	PX0786/PC
Fixing:	Flange	Snap Fit, 1mm, 1.5mm, 2mm	PCB/Flange
Terminations:	/28 (2.8mm solder)	/28 (2.8mm solder)	P.C. Spills
Max. Rating:	2.5A, 250V a.c.	2.5A, 250V a.c.	2.5A, 250V a.c.
Contact Resistance:	<10mΩ	<10mΩ	<10mΩ
Insulation Resistance:	>10 <sup>5</sup> MΩ @ 500V d.c.	>10 <sup>5</sup> MΩ @ 500V d.c.	>10 <sup>5</sup> MΩ @ 500V d.c.
A.C. Breakdown:	4kV	4kV	4kV
Operating Temp. Range:	-40°C to +70°C	-40°C to +70°C	-40°C to +70°C
Max. Pin Temp.:	+70°C	+70°C	+70°C
Mouldings:	Nylon, Flammability Rating UL94V-0	Nylon, Flammability Rating UL94V-0	Nylon, Flammability Rating UL94V-0
Contacts:	Pins: Turned Brass, Nickel Plated Tabs: Brass, Tin Plated	Pins: Turned Brass, Nickel Plated Tabs: Brass, Tin Plated	Pins: Turned Brass, Nickel Plated Tabs: Brass, Tin Plated
Approvals:			
Accessories / Notes:			
Mating Connectors:			