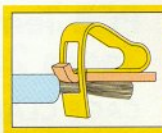


PCB Terminal Strips, Series 233 and 234, Pin Spacings 2.5 mm / 0.098 in and 2.54 mm / 0.1 in

CAGE CLAMP®



Front-entry

Pin spacing 2.5 (2.54) mm / 0.098 (0.1) in
0.08 – 0.5 mm² ① | AWG 28 – 20 ①
250 V/2.5 kV/2 | 150 V, 4 A ②
6 A

Pin spacing 2.5 (2.54) mm / 0.098 (0.1) in
0.08 – 0.5 mm² ① | AWG 28 – 20 ①
250 V/2.5 kV/2 | 150 V, 4 A ②
6 A

Pin spacing 2.5 (2.54) mm / 0.098 (0.1) in
0.08 – 0.5 mm² ① | AWG 28 – 20 ①
250 V/2.5 kV/2 | 150 V, 4 A ②
6 A

5 – 6 mm / 0.22 in

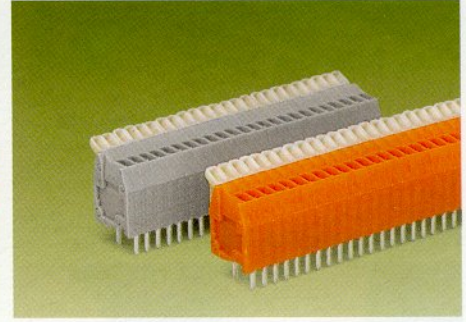
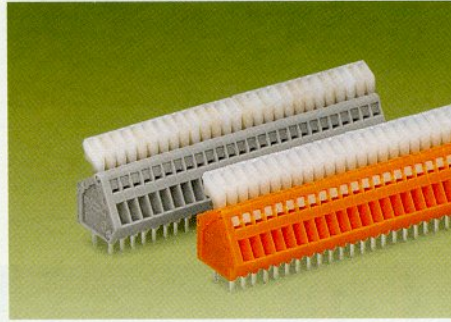
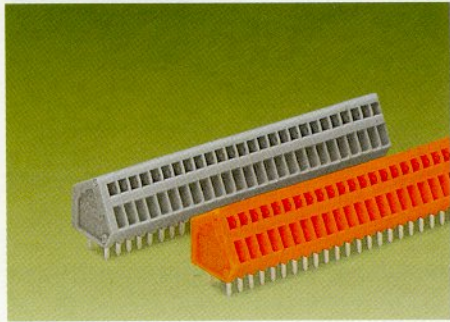
5 – 6 mm / 0.22 in

5 – 6 mm / 0.22 in

* ① ② ③ ④ ⑤ ⑥ ⑦ ⑧ ⑨ ⑩ ⑪ ⑫ ⑬ ⑭ ⑮ ⑯ ⑰ ⑱ ⑲ ⑳ ㉑ ㉒ ㉓ ㉔ ㉕ ㉖ ㉗ ㉘ ㉙ ㉚ ㉛ ㉜ ㉝ ㉞ ㉟ ㊱ ㊲ ㊳ ㊴ ㊵ ㊶ ㊷ ㊸ ㊹ ㊺ ㊻ ㊼ ㊽ ㊾ ㊿

* ① ② ③ ④ ⑤ ⑥ ⑦ ⑧ ⑨ ⑩ ⑪ ⑫ ⑬ ⑭ ⑮ ⑯ ⑰ ⑱ ⑲ ⑳ ㉑ ㉒ ㉓ ㉔ ㉕ ㉖ ㉗ ㉘ ㉙ ㉚ ㉛ ㉜ ㉝ ㉞ ㉟ ㊱ ㊲ ㊳ ㊴ ㊵ ㊶ ㊷ ㊸ ㊹ ㊺ ㊻ ㊼ ㊽ ㊾ ㊿

* ① ② ③ ④ ⑤ ⑥ ⑦ ⑧ ⑨ ⑩ ⑪ ⑫ ⑬ ⑭ ⑮ ⑯ ⑰ ⑱ ⑲ ⑳ ㉑ ㉒ ㉓ ㉔ ㉕ ㉖ ㉗ ㉘ ㉙ ㉚ ㉛ ㉜ ㉝ ㉞ ㉟ ㊱ ㊲ ㊳ ㊴ ㊵ ㊶ ㊷ ㊸ ㊹ ㊺ ㊻ ㊼ ㊽ ㊾ ㊿



No. of poles	Item-No. 2.5 mm	Item-No. 2.54 mm	Pack.-unit pcs	No. of poles	Item-No. 2.5 mm	Item-No. 2.54 mm	Pack.-unit pcs	No. of poles	Item-No. 2.5 mm	Item-No. 2.54 mm	Pack.-unit pcs
Terminal strips, standard lengths, other lengths contact factory, 2 solder pins/pole				Terminal strips, standard lengths, 2 solder pins/pole				Terminal strips, standard lengths, 2 solder pins/pole			
	grey	orange			grey	orange			grey	orange	
2	233-102	233-402	600 (6 x 100)	2	233-202	233-502	600 (6 x 100)	2	234-202	234-502	600 (6 x 100)
3	233-103	233-403	500 (4 x 125)	3	233-203	233-503	500 (4 x 125)	3	234-203	234-503	520 (4 x 130)
4	233-104	233-404	400 (4 x 100)	4	233-204	233-504	400 (4 x 100)	4	234-204	234-504	400 (4 x 100)
5	233-105	233-405	340 (4 x 85)	5	233-205	233-505	340 (4 x 85)	5	234-205	234-505	340 (4 x 85)
6	233-106	233-406	280 (4 x 70)	6	233-206	233-506	280 (4 x 70)	6	234-206	234-506	280 (4 x 70)
7	233-107	233-407	240 (4 x 60)	7	233-207	233-507	240 (4 x 60)	7	234-207	234-507	240 (4 x 60)
8	233-108	233-408	220 (4 x 55)	8	233-208	233-508	220 (4 x 55)	8	234-208	234-508	220 (4 x 55)
9	233-109	233-409	200 (4 x 50)	9	233-209	233-509	200 (4 x 50)	9	234-209	234-509	200 (4 x 50)
10	233-110	233-410	180 (4 x 45)	10	233-210	233-510	180 (4 x 45)	10	234-210	234-510	180 (4 x 45)
12	233-112	233-412	140 (4 x 35)	12	233-212	233-512	140 (4 x 35)	12	234-212	234-512	140 (4 x 35)
16	233-116	233-416	100 (4 x 25)	16	233-216	233-516	100 (4 x 25)	16	234-216	234-516	100 (4 x 25)
24	233-124	233-424	80 (4 x 20)	24	233-224	233-524	80 (4 x 20)	24	234-224	234-524	80 (4 x 20)
36	233-136	233-436	40 (4 x 10)	36	233-236	233-536	40 (4 x 10)	36	234-236	234-536	40 (4 x 10)
48	233-148	233-448	40 (4 x 10)	48	233-248	233-548	40 (4 x 10)	48	234-248	234-548	40 (4 x 10)

Terminal strips without push buttons cannot be retrofitted with push buttons!

For other lengths, please contact factory

For other lengths, please contact factory

Accessories

Marker cards, computer marked,

20 self-adhesive strips per card

Marking

1-16 (60 x)	249-151	249-156	1 card
17-32 (60 x)	249-152	249-157	1 card
33-48 (60 x)	249-153	249-158	1 card

Direct printing contact factory

Marker cards, computer marked,

20 self-adhesive strips per card

Marking

1-16 (60 x)	249-151	249-156	1 card
17-32 (60 x)	249-152	249-157	1 card
33-48 (60 x)	249-153	249-158	1 card

Direct printing contact factory

Marker cards, computer marked,

20 self-adhesive strips per card

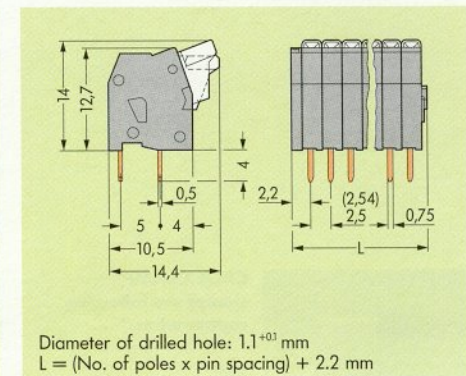
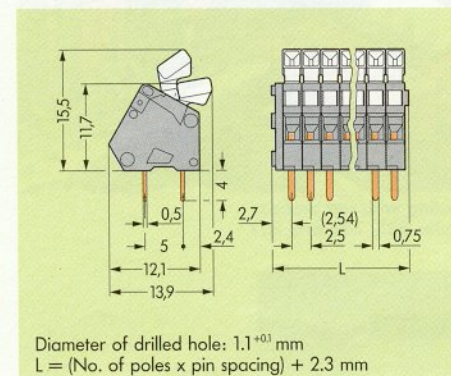
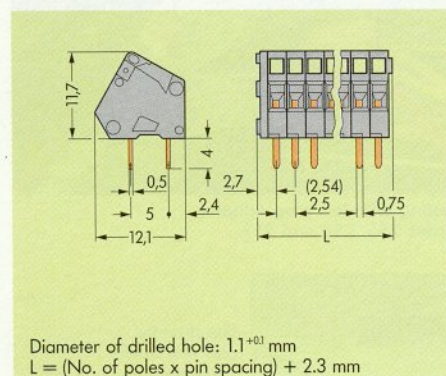
Marking

1-16 (60 x)	249-151	249-156	1 card
17-32 (60 x)	249-152	249-157	1 card
33-48 (60 x)	249-153	249-158	1 card

Direct printing contact factory

Operating tool
for front-entry wiring,
see page 9.17

Dimensions (in mm)



* For further approvals with corresponding ratings see pages 10.3 ff.

① in adjacent positions 0.75 mm²/AWG 18