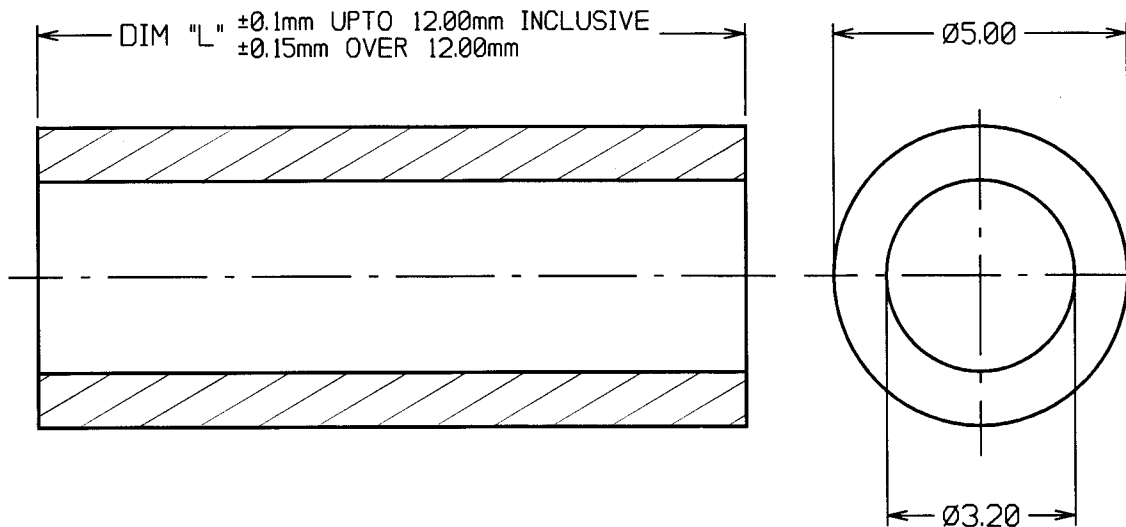


CUSTOMER INFORMATION SHEET



PART NUMBER	DIM "L"	PART NUMBER	DIM "L"
R2303-14	3.00	R2316-14	16.00
R2304-14	4.00	R2318-14	18.00
R2305-14	5.00	R2320-14	20.00
R2306-14	6.00	R2322-14	22.00
R2307-14	7.00	R2324-14	24.00
R2308-14	8.00	R2326-14	26.00
R2310-14	10.00		
R2312-14	12.00		
R2314-14	14.00		

MATERIAL = ALUMINIUM

FINISH = ANODISED

1 06.01.94

ISS. DATE C/N

APPROVED: *[Signature]*CHECKED: *[Signature]*

DRAWN: PDC

CUSTOMER REF.

ASSEMBLY DRG:

HARWINHARWIN INC
U.S.A.TEL: (812) 285 0055
FAX: (812) 285 0056HARWIN PLC
U.K.TEL: (01705) 370451
FAX: (01705) 324010HARWIN PTE
SINGAPORETEL: 7794909
FAX: 7793868

TOLERANCES

X. - ±1mm
X.X - ±0.25mm
X.XX - ±0.10mm
X.XXX - ±0.01mm
ANGLES - ±1°
UNLESS STATED

MATERIAL: SEE ABOVE

TITLE:

ALUMINIUM SPACERS

FINISH: SEE ABOVE

DRAWING NUMBER:

S/AREA: mm²

R2303-14 => R2326-14

SHT
2
OF
2