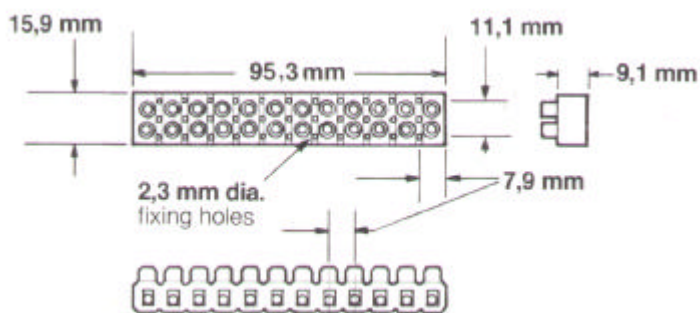


**L1350/Ni FLEXIBLE TERMINAL BLOCK**

- Two Row Screws
- 12 way

<b>CURRENT RATING:</b>	<b>15A (temperature rise &lt;20°C above ambient)</b>
<b>TEMPERATURE RANGE:</b>	<b>-55°C to +70°C (ambient)</b>
<b>BREAKDOWN VOLTAGE:</b>	<b>&gt;7 KV (5 KV to chassis)</b> <b>Important Note: Insulated fixing screws must be used to mount this product.</b>
<b>INSULATION RESISTANCE:</b>	<b>≥1000 megaohms</b>
<b>CREEPAGE DISTANCE</b>	
<b>BETWEEN TERMINALS:</b>	<b>8.4mm</b>
<b>TERMINALS TO CHASSIS:</b>	<b>4.3mm</b>
<b>HUMIDITY:</b>	<b>Class H6 (DEF-5011)</b>
<b>WIRE SIZE (MAXIMUM):</b>	<b>1/1.78mm to 30/0.25mm</b>
<b>WEIGHT (AVERAGE):</b>	<b>30.5g</b>
<b>APPROVAL</b>	<b>DEF-5011</b>

**ORDERING REFERENCE: L1350/Ni**



BLP reserve the right to change without prior notice the information contained within this leaflet

**BLP Components Ltd., Exning Road, Newmarket, Suffolk, CB8 0AX, England**  
Tel: +44 (0)1638 665161 Fax: +44 (0)1638 660718 email: [sales@blpcomp.com](mailto:sales@blpcomp.com) <http://www.blpcomp.com>