




**Flush mounting plate, 1 mounting location**

**Part no.** M22-E1  
**Catalog No.** 216541  
**Alternate Catalog No.** M22-E1Q  
**EL-Nummer (Norway)** 4355390

**Delivery program**

Accessories			Surface mounting enclosure
Basic function accessories			Flush mounting plates
			No legend plates possible with vertical arrangements Degree of protection only in conjunction with a suitable enclosure and correct mounting. Aluminium light anodized, including M22-XE...
Number of locations		Qty.	1
Degree of Protection			IP65
<b>Colour</b>			
			grey
			
RAL Value			RAL 7035
Connection to SmartWire-DT			no

**Technical data**

**General**

Degree of Protection			IP65
Ambient temperature			
Open		°C	-25 - +70

**Design verification as per IEC/EN 61439**

Technical data for design verification			
Rated operational current for specified heat dissipation	$I_n$	A	0
Heat dissipation per pole, current-dependent	$P_{vid}$	W	0
Equipment heat dissipation, current-dependent	$P_{vid}$	W	0
Static heat dissipation, non-current-dependent	$P_{vs}$	W	0
Heat dissipation capacity	$P_{diss}$	W	0
Operating ambient temperature min.		°C	-25
Operating ambient temperature max.		°C	70
IEC/EN 61439 design verification			
10.2 Strength of materials and parts			
10.2.2 Corrosion resistance			Meets the product standard's requirements.
10.2.3.1 Verification of thermal stability of enclosures			Meets the product standard's requirements.
10.2.3.2 Verification of resistance of insulating materials to normal heat			Meets the product standard's requirements.
10.2.3.3 Verification of resistance of insulating materials to abnormal heat and fire due to internal electric effects			Meets the product standard's requirements.
10.2.4 Resistance to ultra-violet (UV) radiation			Please enquire
10.2.5 Lifting			Does not apply, since the entire switchgear needs to be evaluated.
10.2.6 Mechanical impact			Does not apply, since the entire switchgear needs to be evaluated.
10.2.7 Inscriptions			Meets the product standard's requirements.
10.3 Degree of protection of ASSEMBLIES			Does not apply, since the entire switchgear needs to be evaluated.
10.4 Clearances and creepage distances			Meets the product standard's requirements.

10.5 Protection against electric shock		Does not apply, since the entire switchgear needs to be evaluated.
10.6 Incorporation of switching devices and components		Does not apply, since the entire switchgear needs to be evaluated.
10.7 Internal electrical circuits and connections		Is the panel builder's responsibility.
10.8 Connections for external conductors		Is the panel builder's responsibility.
10.9 Insulation properties		
10.9.2 Power-frequency electric strength		Is the panel builder's responsibility.
10.9.3 Impulse withstand voltage		Is the panel builder's responsibility.
10.9.4 Testing of enclosures made of insulating material		Is the panel builder's responsibility.
10.10 Temperature rise		Not applicable.
10.11 Short-circuit rating		Is the panel builder's responsibility. The specifications for the switchgear must be observed.
10.12 Electromagnetic compatibility		Is the panel builder's responsibility. The specifications for the switchgear must be observed.
10.13 Mechanical function		The device meets the requirements, provided the information in the instruction leaflet (IL) is observed.

## Technical data ETIM 7.0

Low-voltage industrial components (EG000017) / Built-in panel for control circuit devices (EC000201)

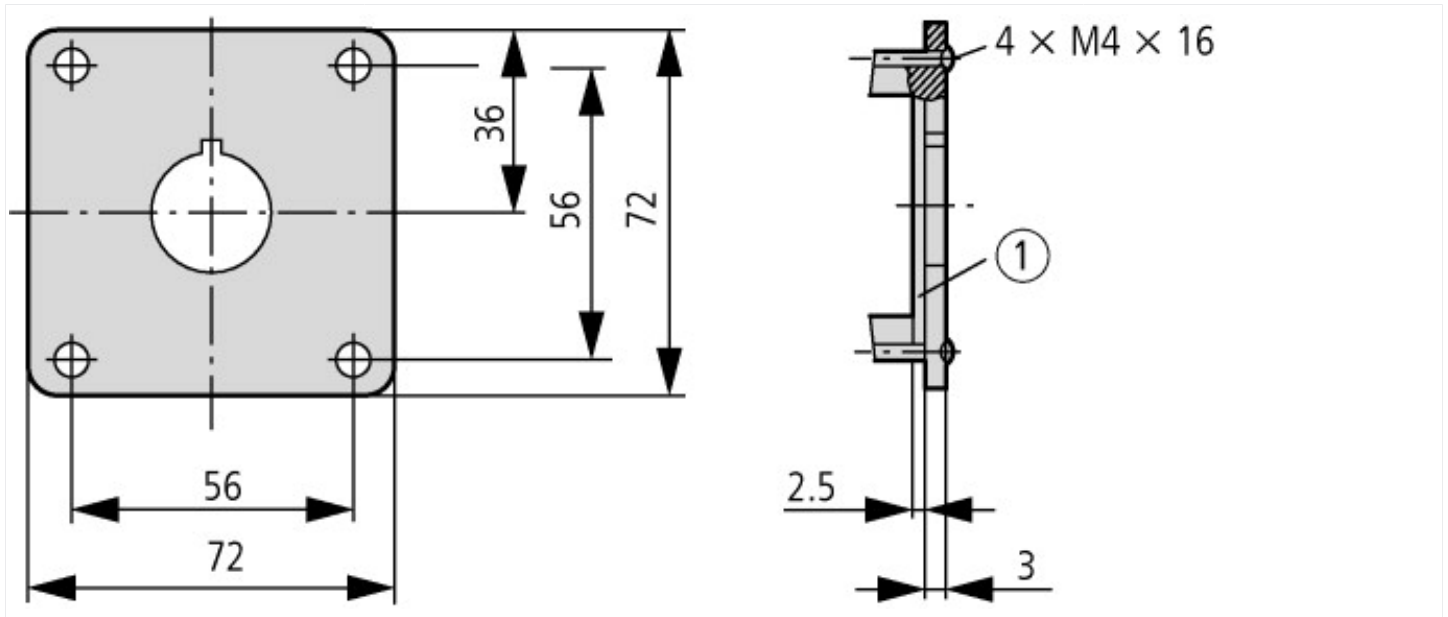
Electric engineering, automation, process control engineering / Low-voltage switch technology / Command and alarm device / Installation plate for command devices (ecl@ss10.0.1-27-37-12-03 [AC0025011])

Width	mm	72
Height	mm	72
Material		Aluminium
Number of command positions		1
Diameter openings	mm	22.5
Colour		Grey

## Approvals

Product Standards		IEC/EN 60947-5; UL 508; CSA-C22.2 No. 14-05; CSA-C22.2 No. 94-91; CE marking
UL File No.		E29184
UL Category Control No.		NKCR
CSA File No.		012528
CSA Class No.		3211-03
North America Certification		UL listed, CSA certified
Degree of Protection		UL/CSA Type 3R, 4X, 12, 13

## Dimensions



① Insulation plate

Front fixing (style: flush mounting)

## Additional product information (links)

### IL04716003Z (AWA1160-1746) RMQ-Titan System

IL04716003Z (AWA1160-1746) RMQ-Titan System [ftp://ftp.moeller.net/DOCUMENTATION/AWA\\_INSTRUCTIONS/IL04716003Z2018\\_06.pdf](ftp://ftp.moeller.net/DOCUMENTATION/AWA_INSTRUCTIONS/IL04716003Z2018_06.pdf)

Form MZ047003ZU (former F0315) for ordering customer-specific complete devices [ftp://ftp.moeller.net/DOCUMENTATION/PDF/MZ047003ZU\\_DEENFR.pdf](ftp://ftp.moeller.net/DOCUMENTATION/PDF/MZ047003ZU_DEENFR.pdf)