

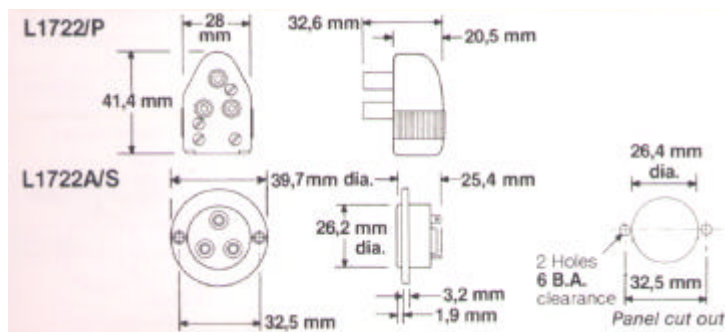
L1722/P POWER CONNECTOR FREE
L1722A/S POWER CONNECTOR, FIXED



- A safe and well styled 3 pole power connector
- Offers fully shrouded pins and a shallow depth socket which can be mounted to the front or rear of the panel
- Cover of the free portion is held by retaining screws which fit into metal inserts
- Inspection port provided in cover to allow instant inspection of the earth wire connection
- Free portion is completely shatterproof

CURRENT RATING:	10 A for 15°C temperature rise
TEMPERATURE RANGE:	-10°C to +55°C (ambient)
BREAKDOWN VOLTAGE (d.c.):	6 KV
INSULATION RESISTANCE:	5 x 10 ³ megohms
CONTACT RESISTANCE (MAX):	5 milliohms per pole
HUMIDITY:	A4 (BS2011)
INSERTION / WITHDRAWAL FORCE (MAX):	50 N insertion 67 N withdrawal
CABLE SIZE (OVERALL MAX):	9.5mm
TERMINATIONS: FREE PORTION:	Screws
FIXED PORTION:	Solder or solderless snap-on connections
MATERIALS: CONTACTS, FREE PORTION:	Nickel plated brass
FIXED PORTION:	Silver plated brass
INSULANTS, FREE PORTION:	Nylon
FIXED PORTION:	Phenolic resin
APPROVALS:	BS 2011

ORDERING REFERENCE: L1722/P L1722A/S



BLP reserve the right to change without prior notice the information contained within this leaflet

BLP Components Ltd., Exning Road, Newmarket, Suffolk, CB8 0AX, England
 Tel: +44 (0)1638 665161 Fax: +44 (0)1638 660718 email: sales@blpcomp.com http://www.blpcomp.com

LAST UPDATED: March 12, 2001

BLP reserve the right to change without prior notice the information contained within this leaflet

BLP Components Ltd., Exning Road, Newmarket, Suffolk, CB8 0AX, England
Tel: +44 (0)1638 665161 Fax: +44 (0)1638 660718 email: sales@blpcomp.com <http://www.blpcomp.com>