



Cover, 3p, for screw connection, size 2

Part no. NZM2-XKSA
Catalog No. 260038

EL-Nummer (Norway) 0004358780

Similar to illustration

Delivery program

Accessories		Terminal cover
Number of conductors		3 pole
Accessories		Terminal cover
For use with		NZM2, PN2, NS2 DS7-34...SX135... DS7-34...SX160... DS7-34...SX200...
Notes		
Type contains parts for a terminal located at top or bottom for 3 pole circuit-breakers.		
Insulation/protection against direct contact where cable lugs or busbars are connected or tunnel terminals are used.		
Included in the set with tunnel terminals.		
When using insulated conductor material to IP1X.		

Design verification as per IEC/EN 61439

IEC/EN 61439 design verification		
10.2 Strength of materials and parts		
10.2.2 Corrosion resistance		Meets the product standard's requirements.
10.2.3.1 Verification of thermal stability of enclosures		Meets the product standard's requirements.
10.2.3.2 Verification of resistance of insulating materials to normal heat		Meets the product standard's requirements.
10.2.3.3 Verification of resistance of insulating materials to abnormal heat and fire due to internal electric effects		Meets the product standard's requirements.
10.2.4 Resistance to ultra-violet (UV) radiation		Meets the product standard's requirements.
10.2.5 Lifting		Does not apply, since the entire switchgear needs to be evaluated.
10.2.6 Mechanical impact		Does not apply, since the entire switchgear needs to be evaluated.
10.2.7 Inscriptions		Meets the product standard's requirements.
10.3 Degree of protection of ASSEMBLIES		Does not apply, since the entire switchgear needs to be evaluated.
10.4 Clearances and creepage distances		Meets the product standard's requirements.
10.5 Protection against electric shock		Does not apply, since the entire switchgear needs to be evaluated.
10.6 Incorporation of switching devices and components		Does not apply, since the entire switchgear needs to be evaluated.
10.7 Internal electrical circuits and connections		Is the panel builder's responsibility.
10.8 Connections for external conductors		Is the panel builder's responsibility.
10.9 Insulation properties		
10.9.2 Power-frequency electric strength		Is the panel builder's responsibility.
10.9.3 Impulse withstand voltage		Is the panel builder's responsibility.
10.9.4 Testing of enclosures made of insulating material		Is the panel builder's responsibility.
10.10 Temperature rise		The panel builder is responsible for the temperature rise calculation. Eaton will provide heat dissipation data for the devices.
10.11 Short-circuit rating		Is the panel builder's responsibility. The specifications for the switchgear must be observed.
10.12 Electromagnetic compatibility		Is the panel builder's responsibility. The specifications for the switchgear must be observed.
10.13 Mechanical function		The device meets the requirements, provided the information in the instruction leaflet (IL) is observed.

Technical data ETIM 7.0

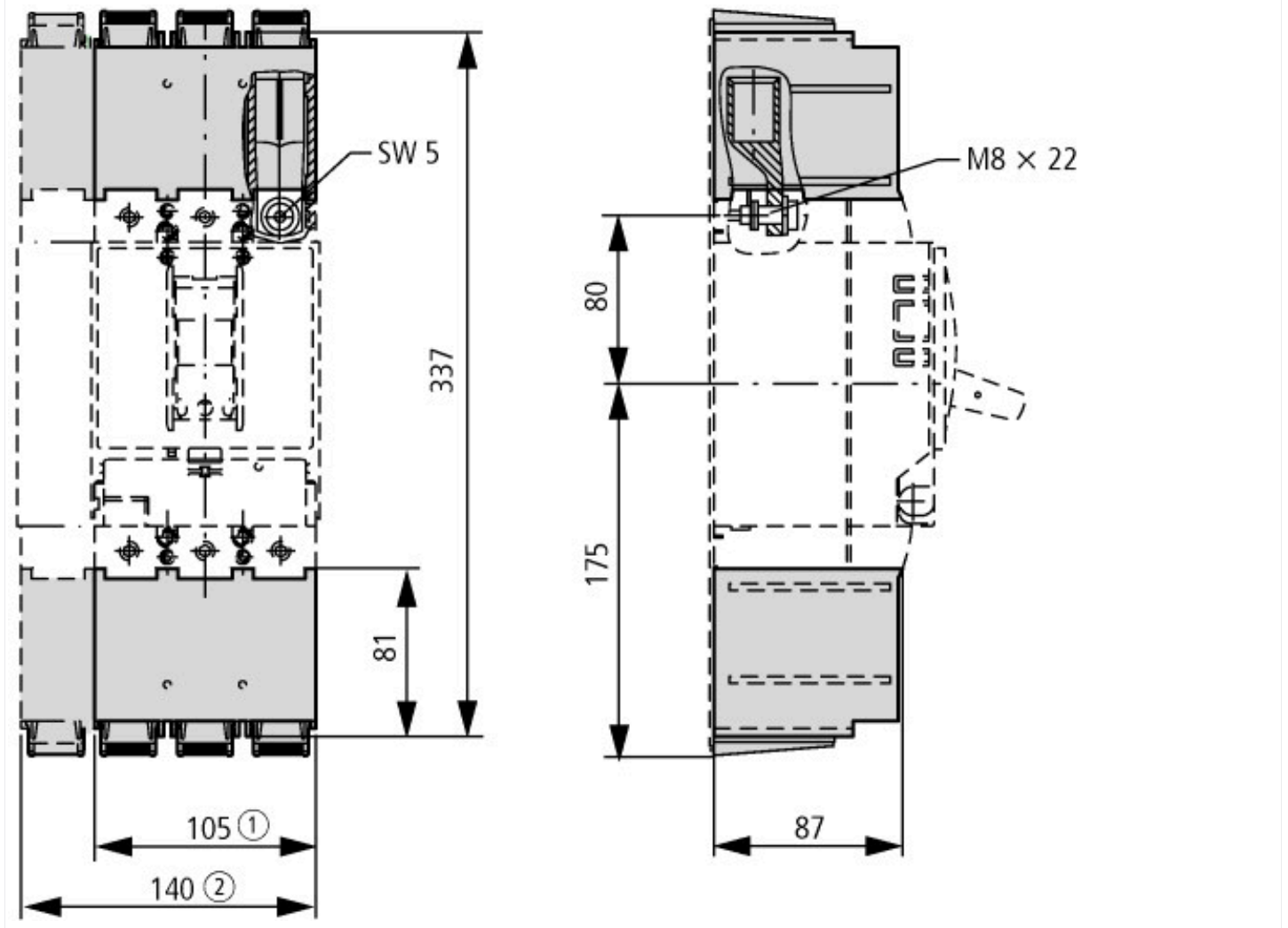
Low-voltage industrial components (EG000017) / Phase separation plate for power circuit breaker (EC002035)
Electric engineering, automation, process control engineering / Low-voltage switch technology / Circuit breaker (LV < 1 kV) / Phase separation plate for circuit breaker (ecI@ss10.0.1-27-37-04-25 [ACN959011])

Model		Other
-------	--	-------

Approvals

Product Standards		UL489; CSA-C22.2 No. 5-09; IEC60947, CE marking
UL File No.		E31593
UL Category Control No.		DIHS
CSA File No.		22086
CSA Class No.		1432-01
North America Certification		UL listed, CSA certified
Suitable for		Refer to main component information

Dimensions



Additional product information (links)

IL01206007Z (AWA1230-2047) Cable lug cover

IL01206007Z (AWA1230-2047) Cable lug cover ftp://ftp.moeller.net/DOCUMENTATION/AWA_INSTRUCTIONS/IL01206007Z2010_11.pdf