
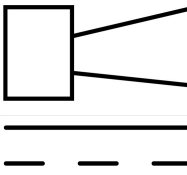




Acoustic module;230 V;continuous or pulsed tone

Part no. **SL7-AP230**
 Catalog No. **171283**
 Alternate Catalog No. **SL7-AP230**
 EL-Nummer **4137631**
 (Norway)

Delivery program

Product range			SL signal towers
Basic function			Acoustic module
Degree of Protection			IP66
Rated operational voltage	U_e	V	230/240 V AC
Rated operational current	I_e	mA	43
Description			Continuous tone or pulsed tone, adjustable with internal dip switches. Sound pressure 100 db, adjustable with internal potentiometer. $f = 2800$ Hz Place only at the highest position on a pole
Colour			
Function			
Connection to SmartWire-DT			no

Technical data

General			
Standards			IEC/EN 60947-5-1
Climatic proofing			Damp heat, cyclic, to IEC 60068-2-30
Mounting position			As required
Mechanical shock resistance		g	> 15 according to IEC 60068-2-27 Shock duration 11 ms Sinusoidal
IEC degree of protection			IP66 IEC/EN 60529
Protection type UL			Type 4, 4X, 13
Material			Enclosure: Polycarbonate (PC), black Cap: Polycarbonate (PC)
Ambient temperature		°C	-30 - +60
Weight		g	102

Contacts

Rated impulse withstand voltage	U_{imp}	V AC	4000
Rated insulation voltage	U_i	V	250
Overtoltage category/pollution degree			III/3

modules

Leakage current		A	< 0.003														
Type of tone			Continuous or pulsed tone														
Types of sound			2 versions, table of sound types														
Sound setting			Internal; 1 pole DIP														
Table of sound types			<p>Table of sound types</p> <table border="1"> <thead> <tr> <th>Sound type</th> <th>DIP switch settings</th> <th>Frequency</th> <th>Diagram</th> <th>Repeat rate</th> <th>Special application</th> <th>Max. volume</th> </tr> </thead> <tbody> <tr> <td> </td> <td> </td> <td> </td> <td> </td> <td> </td> <td> </td> <td> </td> </tr> </tbody> </table>	Sound type	DIP switch settings	Frequency	Diagram	Repeat rate	Special application	Max. volume							
Sound type	DIP switch settings	Frequency	Diagram	Repeat rate	Special application	Max. volume											

			SL7-AP...	Continuous tone	Hz approx. 2800	-	-	dB 100
				Pulsed tone	approx. 2800	approx. 2 Hz	-	100
Sound pressure		dB						100
Sound pressure level adjustment								Built-in, potentiometer
Sound pressure can be lowered to a minimum of								88 dB
Transmission angle								360°
Current-/power consumption								
at 230 /240V AC		A						0.043
Voltage range								230/240 V AC ± 10 %

Design verification as per IEC/EN 61439

Technical data for design verification			
Operating ambient temperature min.		°C	-30
Operating ambient temperature max.		°C	60

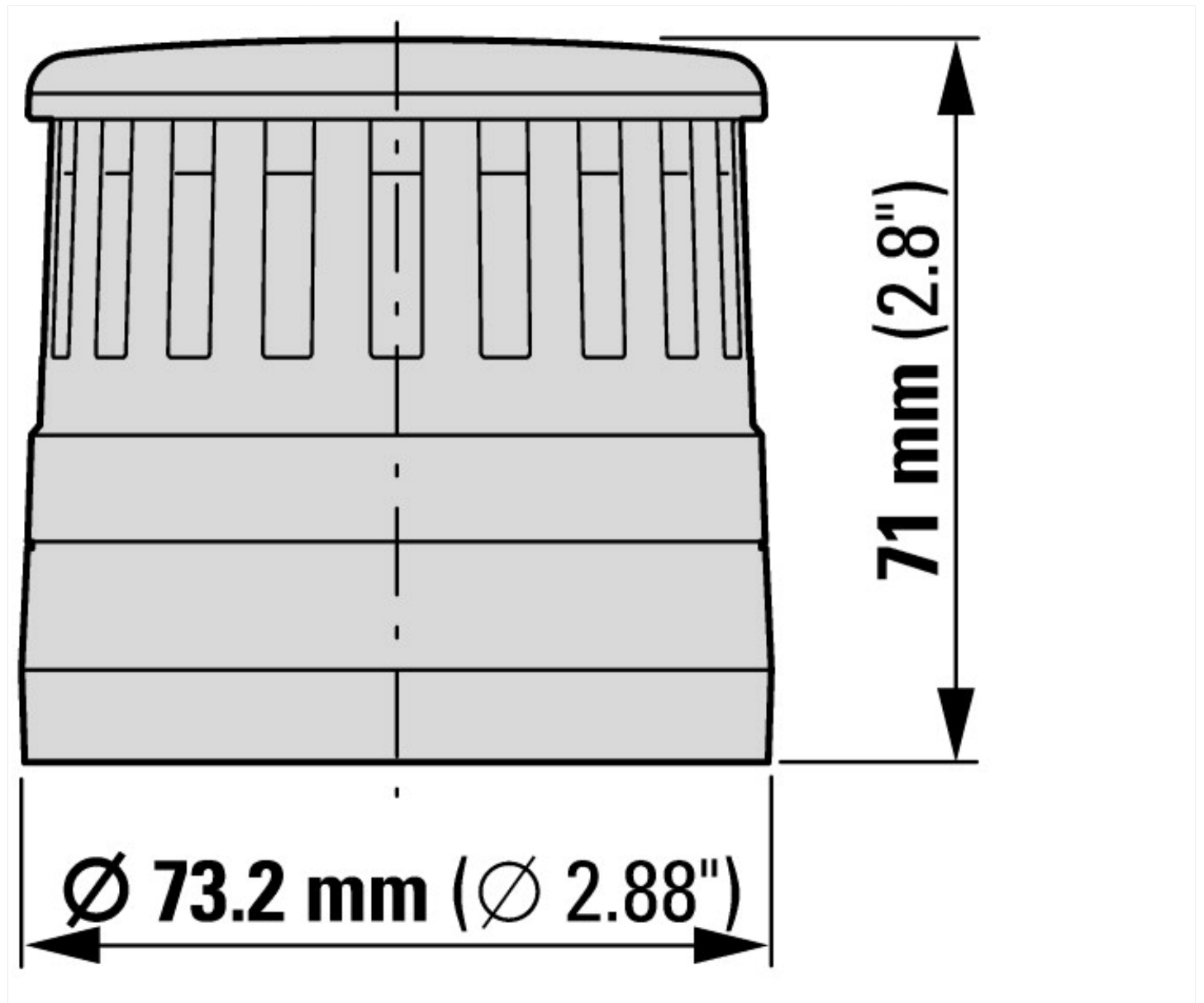
Technical data ETIM 7.0

Low-voltage industrial components (EG000017) / Acoustic module for signal tower (EC001261)			
Electric engineering, automation, process control engineering / Low-voltage switch technology / Command and alarm device / Signal column element, acoustic (ecl@ss10.0.1-27-37-12-37 [AKF055014])			
Function			Continuous tone/pulse tone
Outer diameter		mm	73
Colour			Black
Operating voltage at AC 50 Hz		V	230 - 240
Operating voltage at AC 60 Hz		V	230 - 240
Operating voltage at DC		V	0 - 0
Voltage type			AC
Tone adjustable			Yes
Degree of protection (IP)			IP66
Degree of protection (NEMA)			4X
Loudness		dB	100

Approvals

Product Standards			IEC/EN 60947-5-1; UL 508; CSA-C22.2 No. 14-10; CSA-C22.2 No. 94-91; CE marking
UL File No.			E29184
UL Category Control No.			NKCR
CSA File No.			UL report applies to both US and Canada
CSA Class No.			NKCR7
North America Certification			UL listed, certified by UL for use in Canada
Degree of Protection			UL Type 4, 4X, 13

Dimensions



Additional product information (links)

IL047004ZU SL7 Light Modules, Tone Modules

IL047004ZU SL7 Light Modules, Tone Modules ftp://ftp.moeller.net/DOCUMENTATION/AWA_INSTRUCTIONS/IL047004ZU2018_05.pdf