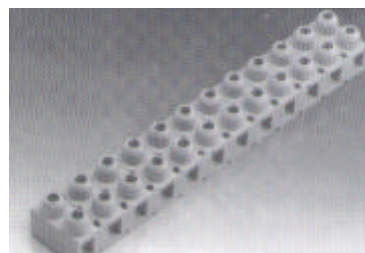
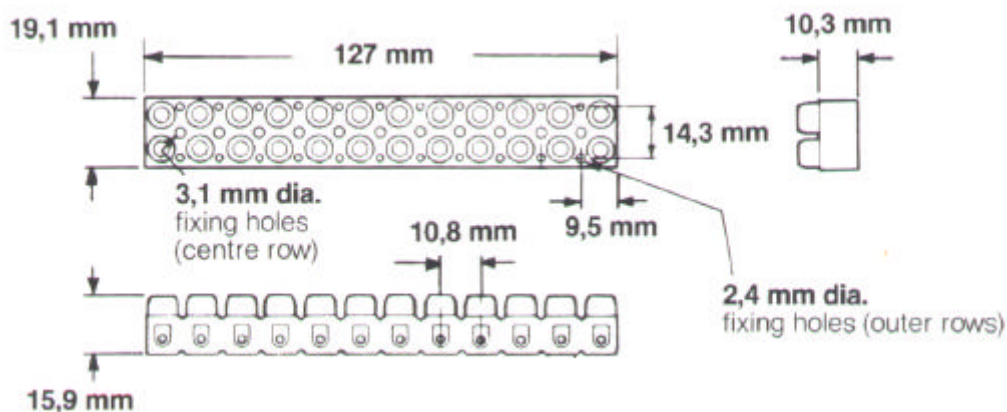


**L744/Ni FLEXIBLE TERMINAL BLOCK**

- 12 way flexible terminal block
- 20A two rows screws

CURRENT RATING:	20A (temperature rise <math><20^{\circ}\text{C}</math> above ambient)
TEMPERATURE RANGE:	-55°C to +70°C (ambient)
BREAKDOWN VOLTAGE (d.c.):	>8KV (6KV To chassis)
INSULATION RESISTANCE:	$\geq 1000$ megohms
CREEPAGE DISTANCE	
BETWEEN TERMINALS:	9.1mm
TERMINALS TO CHASSIS:	3.8mm
HUMIDITY:	Class H6 (DEF-5011)
WIRE SIZE (MAXIMUM):	7/0.85mm to 50/0.25mm
WEIGHT (AVERAGE):	67g
APPROVALS:	DEF-5011

ORDERING REFERENCE: L744/Ni



BLP reserve the right to change without prior notice the information contained within this leaflet

BLP Components Ltd., Exning Road, Newmarket, Suffolk, CB8 0AX, England  
Tel: +44 (0)1638 665161 Fax: +44 (0)1638 660718 email: sales@blpcomp.com <http://www.blpcomp.com>