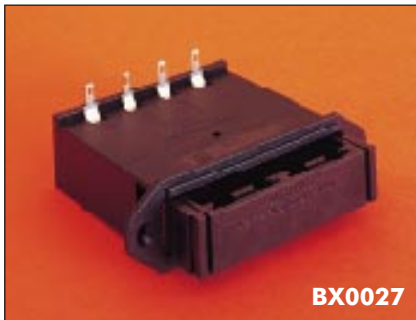
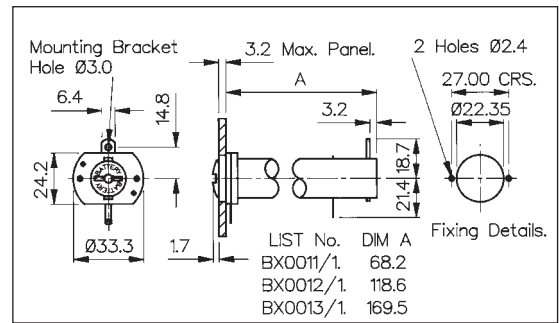


## Panel Mounting



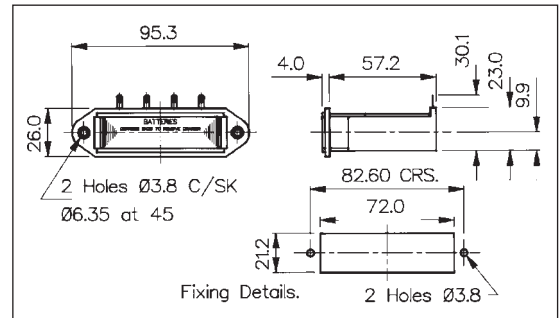
**BX0011/1**

- Battery size AA (R6)
- 1, 2 or 3 Cells
- Panel Mount
- Bayonet/Screwdriver release



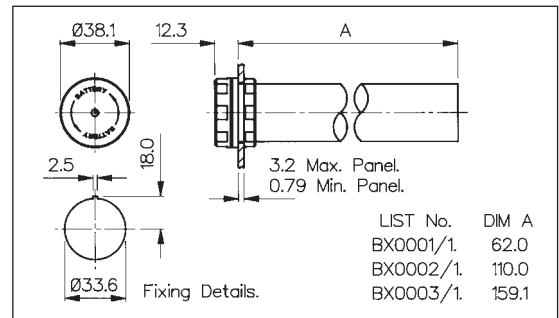
**BX0027**

- Battery size AA (R6)
- 4 Cells
- Flanged Panel Mount
- Drawer function



**BX0001/1**

- Battery size C (R14)
- 1, 2 or 3 Cells
- Panel Mount
- Screw Cap/Hand release



Specification	BX0011/1, BX0012/1, BX0013/1	BX0027	BX0001/1, BX0002/1, BX0003/1
Battery/Cell Type:	AA (R6)	AA (R6)	C (R14)
No. Cells:	BX0011/1 - 1 cell BX0012/1 - 2 cells BX0013/1 - 3 cells	4 cells	BX0001/1 - 1 cell BX0002/1 - 2 cells BX0003/1 - 3 cells
Terminations:	2.8 series tabs/solder tags	4 solder tags (can be wired in series or in pairs)	2.8 series tabs/solder tags
Operating Temperature:	-30°C to +50°C	-30°C to +70°C	-30°C to +70°C
Mouldings:	Glass Filled Nylon & Polystyrene	Glass Filled Nylon	Nylon & Glass Filled Nylon
Contacts:	Brass, Tin Plated Nickel Silver, clean	Phosphor Bronze, Tin Plated Nickel Silver, clean	Nickel Silver, clean Brass, Tin Plated
Features:	Bayonet cap with coin slot. Body may be supported by rear bracket	Removable loading/latching drawer	Screw on cap. Recommended torque for panel ring 1.13-1.7Nm (10-15lbf.in)