



Product Change Notification

Current Date: 02-Jun-2020

TE Connectivity

Product Change Notification: E-20-007880

PCN Date: 02-JUN-20

Customer: TTI, Inc. (1305175)

Location: Maisach-gernlinden

Agreement: TTI001

TE would like to inform you of the following change(s) to the listed TE Connectivity Product. In case of any further questions about this change(s), please contact your TE Connectivity Sales Engineer. Affected part, drawing and/or specification numbers are listed on the attached sheet(s).

General Product Description:

Dip Switch Solder legs 3.2mm long

Description of Changes

This change is considered by TE Connectivity as form, fit and function change. Location of change will be reflected on drawing in the page number 1.1. Position of numbers out of center. 2. Tolerance for the width of the switch change from 9.9mm +0.1 -0 mm to 10.0mm +/- 0.1mm. 3. Change pitch dimension from 7.62 mm +/- 0.1 mm to 7.62 mm +/- 0.2mm.

Other attachments:

[Dip switch](#)

Reason for Changes:

Product Improvement. TE Tooling used to manufacture the product family of PN 5161390, currently has worn and can no longer manufacture the products within specification.

Estimated Dates:

Last Order Date (Obsolete Parts Only):

First Date To Ship (Changed Parts Only):

31-JUL-2020

Last Ship Date (Obsolete Parts Only):

Last Date for Mixed Shipments: (Changed Parts Only):

31-AUG-2020

Part Number(s) being Modified:

| Part Number | Part Discontinued per PCN | Customer Drawing | Customer Part Number | Alias Part Number(s) | Substitute Part Number | Substitute Alias Part Number(s) | Description Of Difference |
|-----------------------------|---------------------------|------------------|----------------------|----------------------|------------------------|---------------------------------|---------------------------|
| 1-5161390-0 | NO | | TYC1-5161390-0 | | | | |
| 1-5161390-6 | NO | | TYC1-5161390-6 | | | | |
| 5161390-1 | NO | | TYC5161390-1 | | | | |
| 5161390-2 | NO | | TYC5161390-2 | | | | |
| 5161390-3 | NO | | TYC5161390-3 | | | | |
| 5161390-4 | NO | | TYC5161390-4 | | | | |
| 5161390-5 | NO | | TYC5161390-5 | | | | |
| 5161390-7 | NO | | TYC5161390-7 | | | | |
| 5161390-8 | NO | | TYC5161390-8 | | | | |

The documents listed below are being modified. Related parts that are not explicitly listed on this PCN are not being modified or discontinued as per the PCN. The Last Order Date, Last Ship Date, First Date to Ship Changed Parts and last date for Mixed Shipments apply only to parts explicitly listed on this PCN.

Customer Drawing(s) Being Modified:

| Drawing Number | Related Part Number | Customer Part Number | Current Revision | New Revision |
|-------------------------|---------------------|----------------------|------------------|--------------|
| 5161390 | 1-5161390-0 | TYC1-5161390-0 | C | |



Product Change Notification

Current Date: 02-Jun-2020

TE Connectivity

Product Change Notification: E-20-007880

PCN Date: 02-JUN-20

Customer: TTI, Inc. (3057778)

Location: Maisach-gernlinden

Agreement: Agreement Unknown

TE would like to inform you of the following change(s) to the listed TE Connectivity Product. In case of any further questions about this change(s), please contact your TE Connectivity Sales Engineer. Affected part, drawing and/or specification numbers are listed on the attached sheet(s).

General Product Description:

Dip Switch Solder legs 3.2mm long

Description of Changes

This change is considered by TE Connectivity as form, fit and function change. Location of change will be reflected on drawing in the page number 1.1. Position of numbers out of center. 2. Tolerance for the width of the switch change from 9.9mm +0.1 -0 mm to 10.0mm +/- 0.1mm. 3. Change pitch dimension from 7.62 mm +/- 0.1 mm to 7.62 mm +/- 0.2mm.

Other attachments:

[Dip switch](#)

Reason for Changes:

Product Improvement. TE Tooling used to manufacture the product family of PN 5161390, currently has worn and can no longer manufacture the products within specification.

Estimated Dates:

Last Order Date (Obsolete Parts Only):

First Date To Ship (Changed Parts Only):

31-JUL-2020

Last Ship Date (Obsolete Parts Only):

Last Date for Mixed Shipments: (Changed Parts Only):

31-AUG-2020

Part Number(s) being Modified:

| Part Number | Part Discontinued per PCN | Customer Drawing | Customer Part Number | Alias Part Number(s) | Substitute Part Number | Substitute Alias Part Number(s) | Description Of Difference |
|-----------------------------|---------------------------|------------------|----------------------|----------------------|------------------------|---------------------------------|---------------------------|
| 1-5161390-0 | NO | | TYC1-5161390-0 | | | | |
| 5161390-1 | NO | | TYC5161390-1 | | | | |
| 5161390-2 | NO | | TYC5161390-2 | | | | |
| 5161390-3 | NO | | TYC5161390-3 | | | | |
| 5161390-7 | NO | | TYC5161390-7 | | | | |

DIP Switch Part Number 5161390

May 21st 2020

EVERY CONNECTION COUNTS

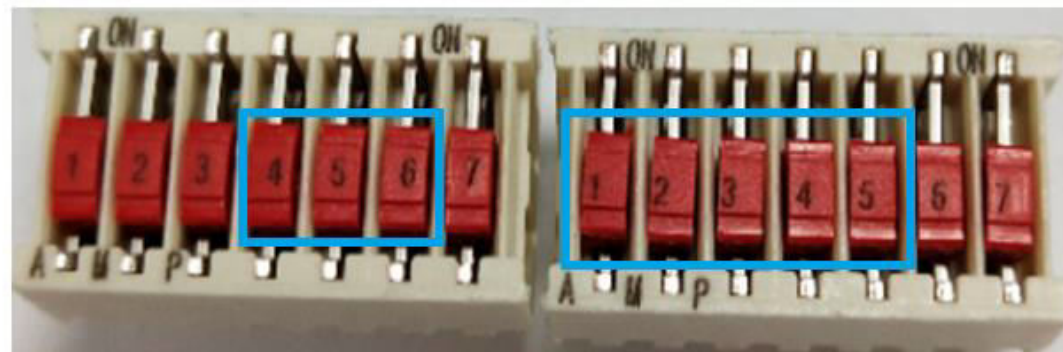
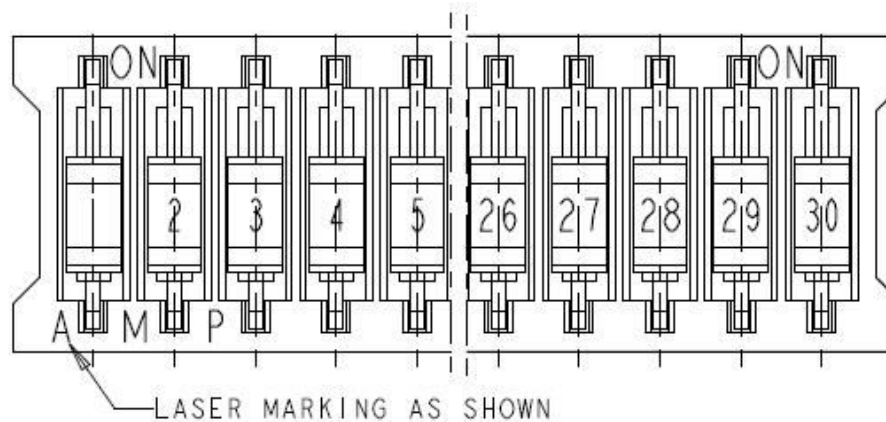


Agenda

- TE Tooling used to manufacture the product family of PN 5161390, currently has worn and can no longer manufacture the products within specification.
- This presentation offers a summary of the non-compliant dimensions and photos of non-compliant laser mark appearance.

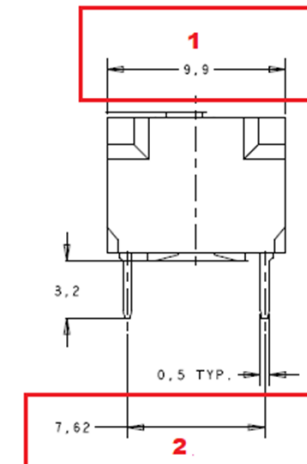
Position Markings are Not Centered

The laser equipment cannot center the numerical position markings. This aesthetic issue has no impact on the performance of the switch. All markings are complete and visible.



Non-compliant Dimensions

| DIMENSION FIND NUMBER | DIMENSION | | | Actual value | | | | | Comments |
|-----------------------|--------------|-------|-------|--------------|-------|-------|-------|-------|--|
| | Dimension | Min | Max | 1 | 2 | 3 | 4 | 5 | |
| 1 | 9.9 +0.1/-0 | 9.9 | 10 | 10.05 | 10.05 | 10.02 | 10.06 | 10.04 | The dimension is slightly out of specification by 0.6% maximum, although it might impact board space it is TE's opinion that this dimension is not critical. |
| 2 | 7.62 +/- 0.1 | 7.520 | 7.720 | 7.745 | 7.65 | 7.691 | 7.813 | 7.696 | This dimension is slightly out of specification and can affect the fit of the switch in the PCB. |
| | 7.62 +/- 0.1 | 7.520 | 7.720 | 7.702 | 7.665 | 7.66 | 7.733 | 7.679 | |
| | 7.62 +/- 0.1 | 7.520 | 7.720 | 7.705 | 7.661 | 7.687 | 7.712 | 7.692 | |
| | 7.62 +/- 0.1 | 7.520 | 7.720 | 7.703 | 7.678 | 7.733 | 7.697 | 7.684 | |
| | 7.62 +/- 0.1 | 7.520 | 7.720 | 7.714 | 7.717 | 7.701 | 7.72 | 7.687 | |
| | 7.62 +/- 0.1 | 7.520 | 7.720 | 7.651 | 7.675 | 7.692 | 7.727 | 7.659 | |
| | 7.62 +/- 0.1 | 7.520 | 7.720 | 7.679 | 7.693 | 7.713 | 7.717 | 7.677 | |



Conclusion

- The position of the laser markings is a purely aesthetic issue and has no impact on the performance or reliability of the Switch.
 - Action (TE): TE will revise our specification to add “Position Markings Located as Shown”
- The width of the Switch product exceeds the specified dimension by 0.06 mm. This is only a minor increase in size which should not impact your ability to install the product on the printed circuit board.
 - Action (Customer): Please confirm that this dimension does not cause any application issues.
 - Action (TE): Revise tolerance for the width of the switch from 9.9mm +0.1, -0 mm to 10.0mm \pm 0.1mm.
- The 7.62 mm pitch of the switch terminations exceeds the specified dimension by 0.1mm. This issue impacts the form and fit of the Switch into the specified printed circuit board layout. TE proposes to change this dimension from 7.62 mm \pm 0.1 mm to 7.62 mm \pm 0.2mm.
 - Action (Customer): Please review your existing printed circuit board layout and provide feedback if the proposed tolerance is acceptable.
 - Action (TE): TE to issue a PCN and revise document to reflect agreed tolerances.

**CONNECT
LIKE THE WORLD
DEPENDS ON IT.
BECAUSE IT DOES.**

EVERY CONNECTION COUNTS

