

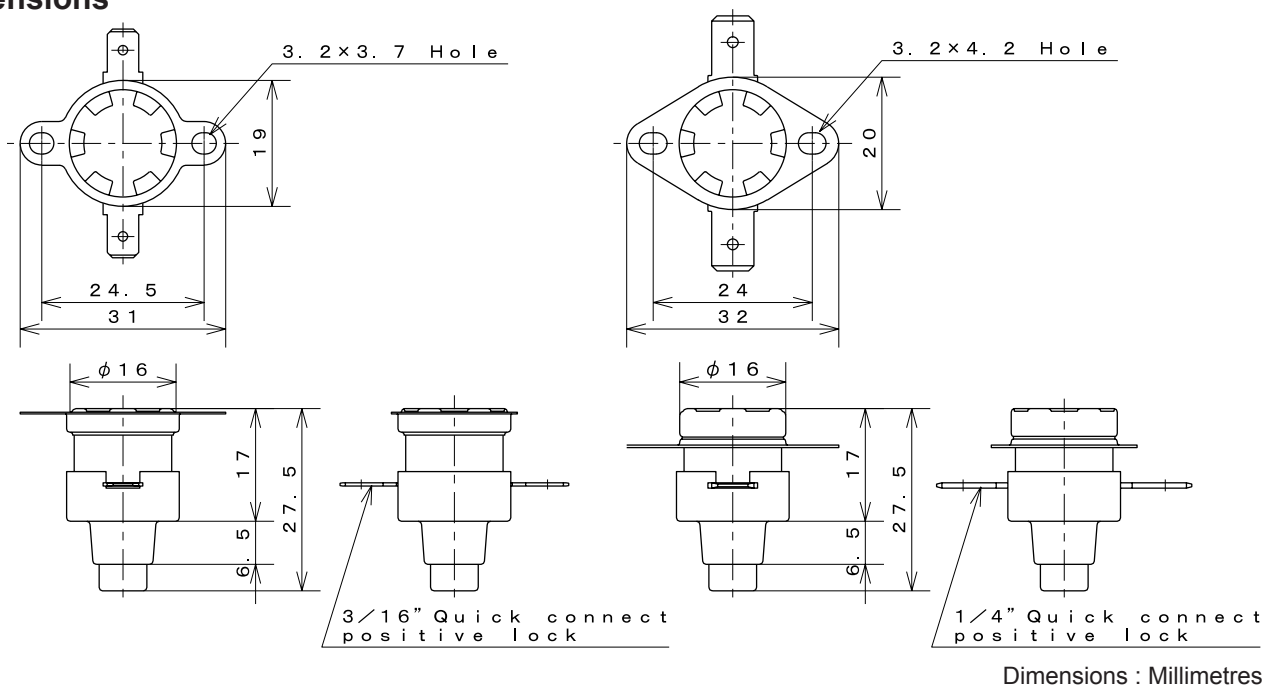
# 1/2" Disc Type Thermostat Switches - Manual Reset

**multicomp** PRO

**RoHS  
Compliant**



## Dimensions



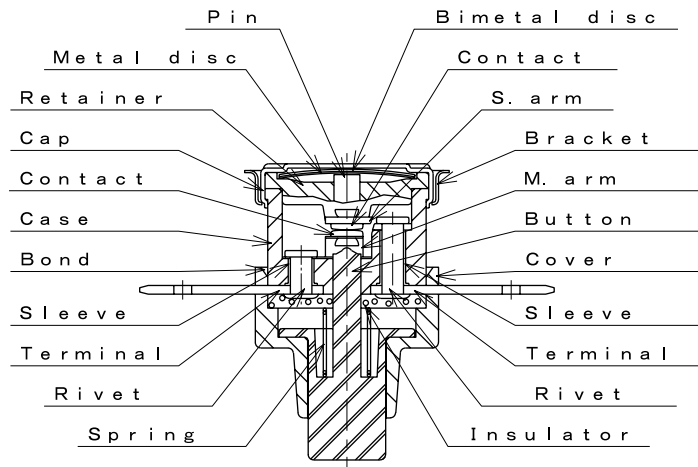
## Specification

Basic features	SPST Manual reset
Operation	A : Contacts open on temperature rise Not automatic reset
Electrical rating	UL, C-UR : AC 120V/15A, AC240V/10A 6,000 cycles VDE : AC 250V/16A 3,000 cycles
Calibration method	Hot & cold air circulation system
Temperature rating	Operating temperature Max. 150°C
Insulation resistance	Not less than 1,000MΩ/DC500V
Dielectric strength	Not less than AC 1,500V/1min. or AC 1,800V/1sec.

# 1/2" Disc Type Thermostat Switches - Manual Reset

**multicomp** PRO

## Structure



## Materials of parts

Part	Material
Cap	Aluminium Copper Stainless steel
Case	Phenolic resin
M.arm	Beryllium Copper alloy
Terminals	Brass
Bracket	Stainless steel
Contacts	Silver-Nickel alloy
Button	Phenolic resin

## Standard

UL 873, C-UR                      UL File                      No. E43273  
 DIN EN 60730-1, -2-9          VDE Licence                No. 40012267

## Part Number Table

Description	Part Number
1/2" Disc Type Thermostat Switch, Manual Reset, NC, 45°C, Quick Connect	23EN9135A45
1/2" Disc Type Thermostat Switch, Manual Reset, NC, 56°C, Quick Connect	23EN4365A56(B)
1/2" Disc Type Thermostat Switch, Manual Reset, NC, 67°C, Quick Connect	23EN4366A67B
1/2" Disc Type Thermostat Switch, Manual Reset, NC, 80°C, Quick Connect	23EN4367A80
1/2" Disc Type Thermostat Switch, Manual Reset, NC, 90°C, Quick Connect	MP-23EN-90DEG-NC
1/2" Disc Type Thermostat Switch, Manual Reset, NC, 112°C, Quick Connect	MP-23EN-112DEG-NC
1/2" Disc Type Thermostat Switch, Manual Reset, NC, 150°C, Quick Connect	MP-23EN-150DEG-NC

**Important Notice :** This data sheet and its contents (the "Information") belong to the members of the AVNET group of companies (the "Group") or are licensed to it. No licence is granted for the use of it other than for information purposes in connection with the products to which it relates. No licence of any intellectual property rights is granted. The Information is subject to change without notice and replaces all data sheets previously supplied. The Information supplied is believed to be accurate but the Group assumes no responsibility for its accuracy or completeness, any error in or omission from it or for any use made of it. Users of this data sheet should check for themselves the Information and the suitability of the products for their purpose and not make any assumptions based on information included or omitted. Liability for loss or damage resulting from any reliance on the Information or use of it (including liability resulting from negligence or where the Group was aware of the possibility of such loss or damage arising) is excluded. This will not operate to limit or restrict the Group's liability for death or personal injury resulting from its negligence. Multicomp is the registered trademark of Premier Farnell Limited 2019.

Newark.com/multicomp-pro  
 Farnell.com/multicomp-pro  
 Element14.com/multicomp-pro

**multicomp** PRO