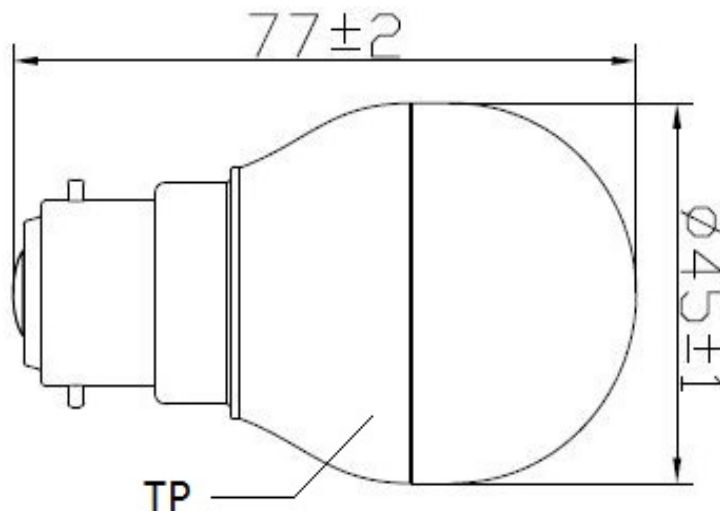




DIMENSIONS (mm):

Energy Class : **A+**



Bulb type : P45
Cap type : B22

Finish : White
Light Colour : 827 Homelight

ELECTRICAL DATA:

		RATED	MIN.	MAX.
Lamp Wattage	(W) :	5.6	-	6.2
Lamp Voltage	(V) :	220-240	202.0	254.0
Lamp Current	(mA) :	35		
Power Factor	(λ) :	0.5		-
Supply Frequency	(Hz) :	50 / 60		
Energy Consumption per 1000h	(kW/h) :	5.6		

PHOTOMETRIC DATA:

Luminous Flux	(lm) :	470	423	-
Luminous Efficacy	(lm/W) :	84		
Correlated Colour Temperature	(K) :	2700		
Colour Rendering Index	(Ra) :	80	77	-
Red Colour Rendition	(R9) :	10	0	
Chromaticity Co-ordinates	(x,y) :	CCx=0.4577 CCy=0.4098	6-step MacAdam Ellipse	

OPERATING CONDITIONS:

Ta Ambient temperature range	(°C) :	25	-20	40
Tp Point	(°C) :	85	-	-
Starting Time	(s) :	-	-	0.5
Warm-up Time to >95% Flux	(s) :	-	-	1.0
IP Degree	:	IP20		
PBS	:	RG1		
Burning Position	:	Universal		
External Control Gear type	:	None		

LAMP LIFE:

Average Life (L _{70F50})	(h) :	15,000
Switching Cycles	(#) :	50,000

APPLICATION:

General lighting. Not suitable for use in totally enclosed luminaires.
Broad compatibility with dimmer switches / electronic timers / electronic switches.
Complies with IEC62560, IEC62612, IEC62471, IEC61547, IEC61000, EN55015, EN62493.

Issued by : GUANGZHOU
Date : 20.VII.2018
Revision date :

DATA SHEET

Spec No. : AEC-L-LED-C-0028405
Supersedes :
Page : 1 of 1