

# Limit Controller with Audible Buzzer

CN700 Series



- ✓ Bright Red 3-Digit LED Display
- ✓ J, K or S Thermocouple Inputs
- ✓ High or Low Limit
- ✓ 16 A Relay Output
- ✓ Front Key Reset Button or Remote Reset
- ✓ Internal Audible Buzzer

The CN700 Series thermocouple FM approved high limit controllers provide audible alarm status along with a robust 15 amp relay output. Unit allows the user to easily select automatic or manual reset along with 10 other parameters. The CN700 series has a built in reset button on the front panel or can accept an external reset. The ease of programming and low price make the CN700 series the best value limit control on the market.

## Specifications

### Temperature Range:

T/C Type J: 0 to 700°C (32 to 999°F)

T/C Type K or S: 0 to 999°C (32 to 999°F)

**Input:** Type J, K or S thermocouple

**Output:** 16 A SPDT relay @ 250 Vac resistive

**Horsepower Rating (HP):** 1 HP

**Control Type:** ON/OFF manual/automatic reset

**Power Requirements:** 115 Vac, 230 Vac, 12 or 24 Vac/Vdc (depending on model)

**Power Consumption:** 4 VA

**Accuracy:** ±1% FS

**Display:** 3-digit, red, 12.7 mm (½") digits, plus sign

**Display Update Rate:** Selectable down to 1 second

**Resolution:** 1°

**Memory Backup:** Nonvolatile memory

**Ambient Operating Temperature:** 0 to 65°C (32 to 150°F)

**Storage Temperature:** -20 to 80°C (-4 to 176°F)

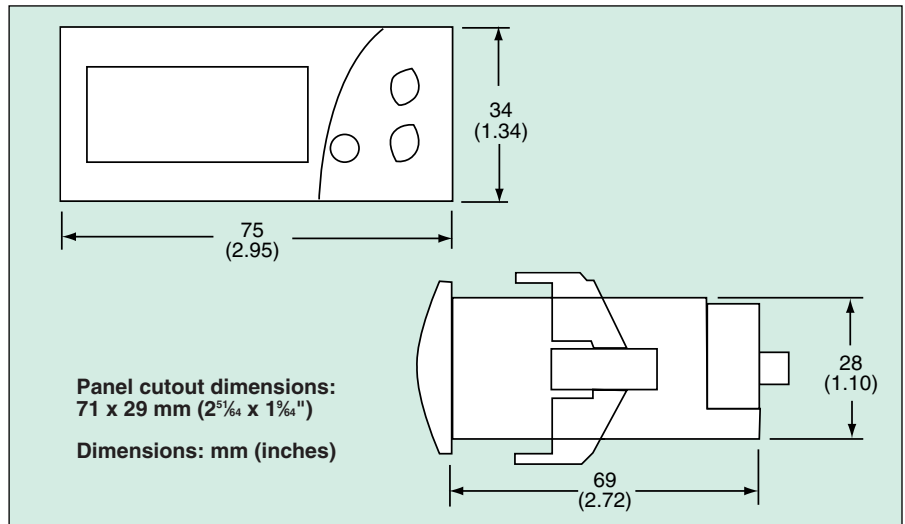
**Weight:** 65 g (2.3 oz)

**Panel Cutout:** 71 x 29 mm (2<sup>5</sup>/<sub>16</sub> x 1<sup>1</sup>/<sub>16</sub>")

**Front Panel Rating:** IP64



CN701 shown actual size.



## To Order

Model No.	Description
CN701	Limit controller, 110 Vac, °F
CN702	Limit controller, 110 Vac, °C
CN703	Limit controller, 230 Vac, °F
CN704	Limit controller, 230 Vac, °C
CN705	Limit controller, 12 Vac/Vdc, °F
CN706	Limit controller, 12 Vac/Vdc, °C
CN707	Limit controller, 24 Vac/Vdc, °F
CN708	Limit controller, 24 Vac/Vdc, °C

Comes complete with operator's manual.

**Ordering Examples:** CN701, limit controller, 110V, °F with audible buzzer. CN705, limit controller, 12 Vac/Vdc, °F with audible buzzer.

## Accessory (Field Installable)

Model No.	Description
CNQUENCHARC	Noise suppression RC snubber (2 leads), 110 to 230 Vac